



US00D936194S

(12) **United States Design Patent**  
**Cestaro**

(10) **Patent No.:** **US D936,194 S**

(45) **Date of Patent:** **\*\* Nov. 16, 2021**

- (54) **WATER HEAT EXCHANGER**
- (71) Applicant: **CESTARO FONDERIE SPA**,  
Bressanvido (IT)
- (72) Inventor: **Giorgio Cestaro**, Monticello Conte  
Otto (IT)
- (\*\*) Term: **15 Years**
- (21) Appl. No.: **35/510,412**
- (22) Filed: **Sep. 9, 2020**
- (80) **Hague Agreement Data**  
Int. Filing Date: **Sep. 9, 2020**  
Int. Reg. No.: **DM/210290**  
Int. Reg. Date: **Sep. 9, 2020**  
Int. Reg. Pub. Date: **Sep. 25, 2020**
- (51) **LOC (13) Cl.** ..... **23-03**
- (52) **U.S. Cl.**  
USPC ..... **D23/323**
- (58) **Field of Classification Search**  
USPC ..... D23/318, 320-323, 330, 342  
CPC ..... F23D 14/586; F24H 1/145; F24H 1/40;  
F24H 1/41; F24H 1/445; F24H 8/00;  
F24H 8/006  
See application file for complete search history.

D453,560 S *	2/2002	Van Brunt	.....	D23/355
D515,190 S *	2/2006	Bartholmey	.....	D23/365
D574,938 S *	8/2008	Martin	.....	D23/323
D603,492 S *	11/2009	Lopez	.....	D23/318
D655,801 S *	3/2012	Russell	.....	D23/323
D665,483 S *	8/2012	Fu	.....	D23/318
D696,389 S *	12/2013	Harden	.....	D23/318
D728,087 S *	4/2015	Zan	.....	D23/323
D844,123 S *	3/2019	Schumann	.....	D23/318
D854,673 S *	7/2019	Kice	.....	D23/365
D863,519 S *	10/2019	Hayden	.....	D23/322
D870,868 S *	12/2019	Hayden	.....	D23/322
D921,863 S *	6/2021	Oliva	.....	D23/318

\* cited by examiner

*Primary Examiner* — Natasha Vujcic

(57) **CLAIM**

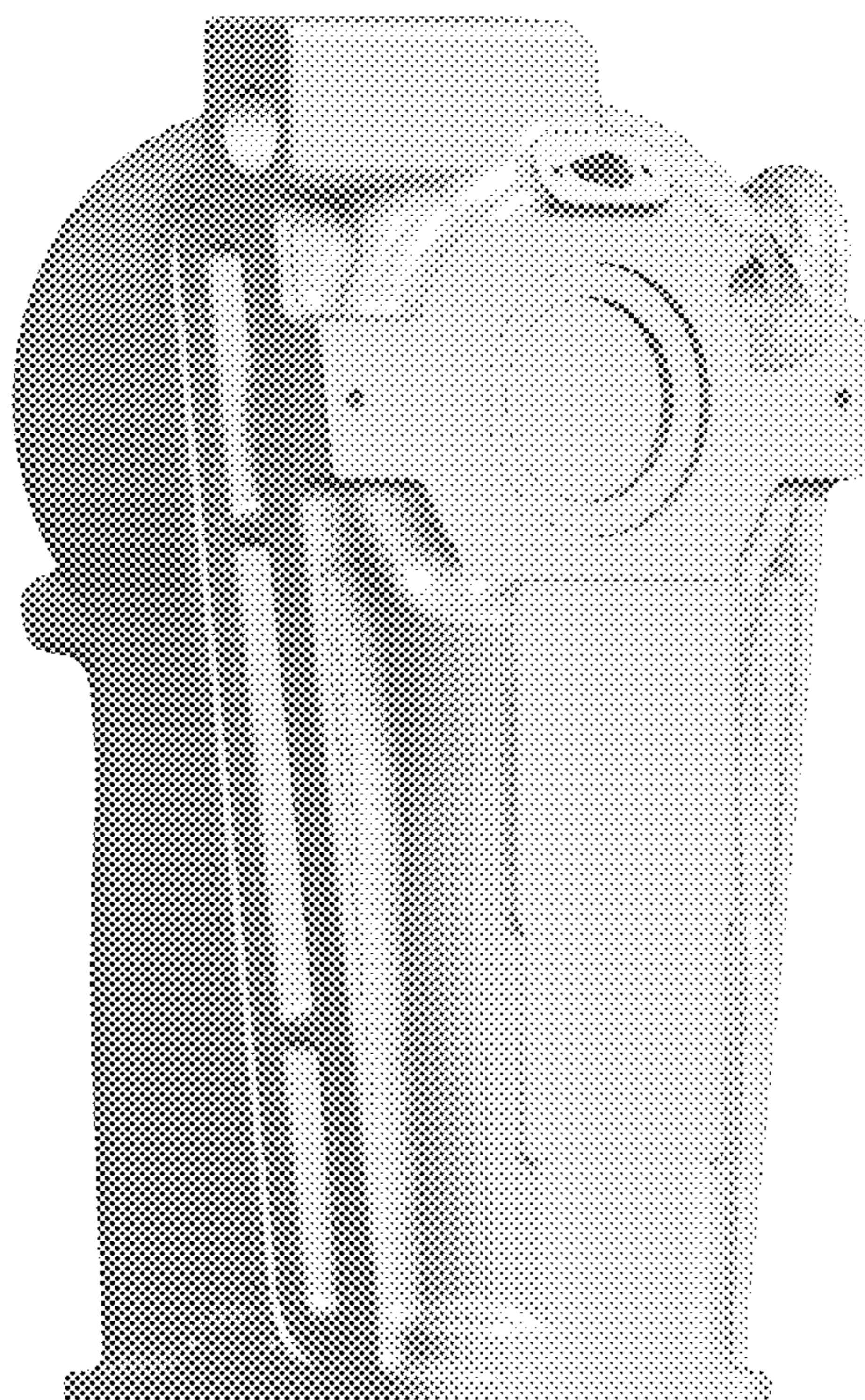
The ornamental design for a water heat exchanger, as shown and described.

**DESCRIPTION**

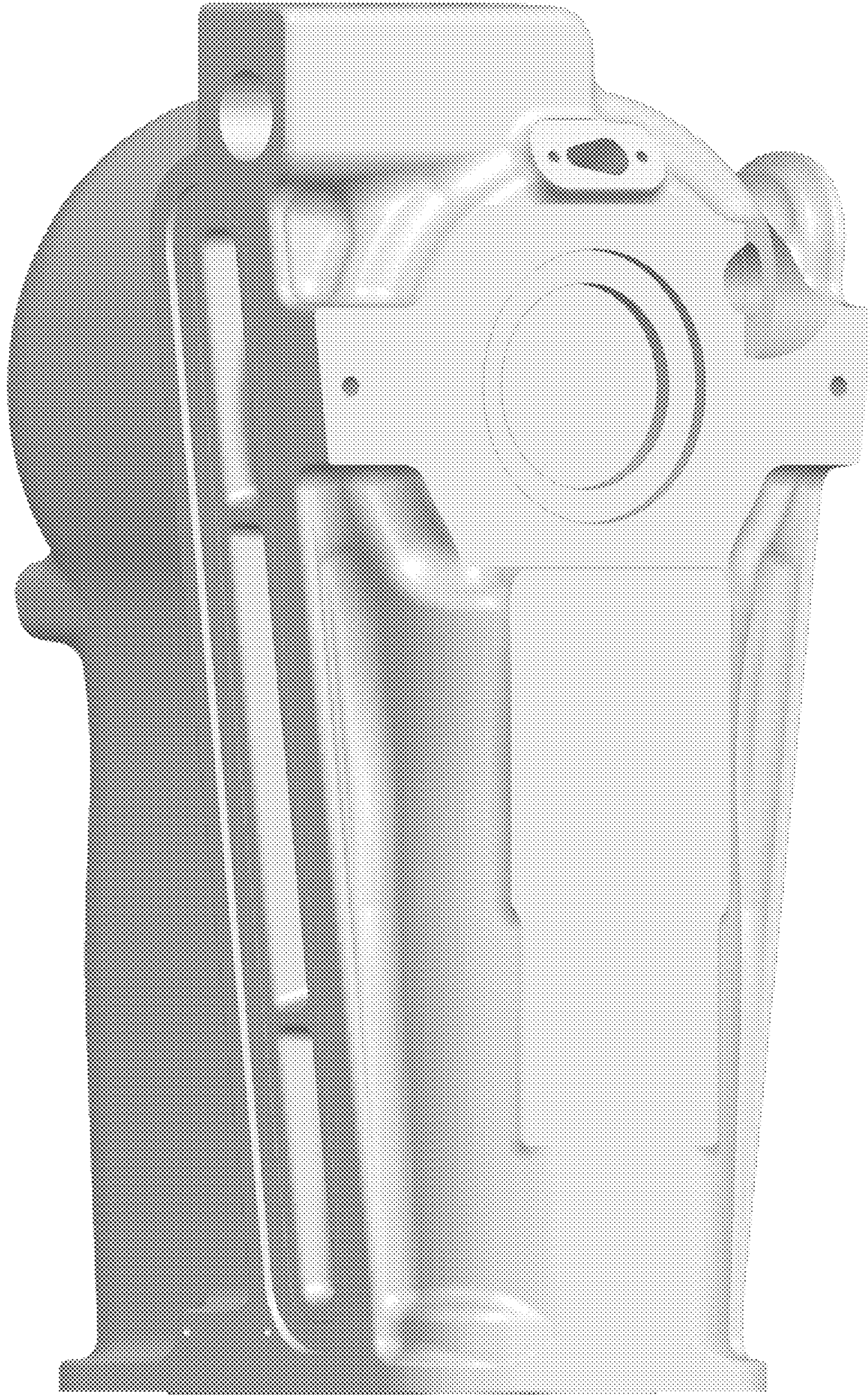
- 1. Water heat exchanger
- 1.1 : Perspective
- 1.2 : Front
- 1.3 : Back
- 1.4 : Left
- 1.5 : Right
- 1.6 : Perspective
- 1.7 : Perspective

- (56) **References Cited**  
U.S. PATENT DOCUMENTS  
D386,561 S \* 11/1997 Campbell ..... D23/330  
D402,021 S \* 12/1998 Allen ..... D23/356

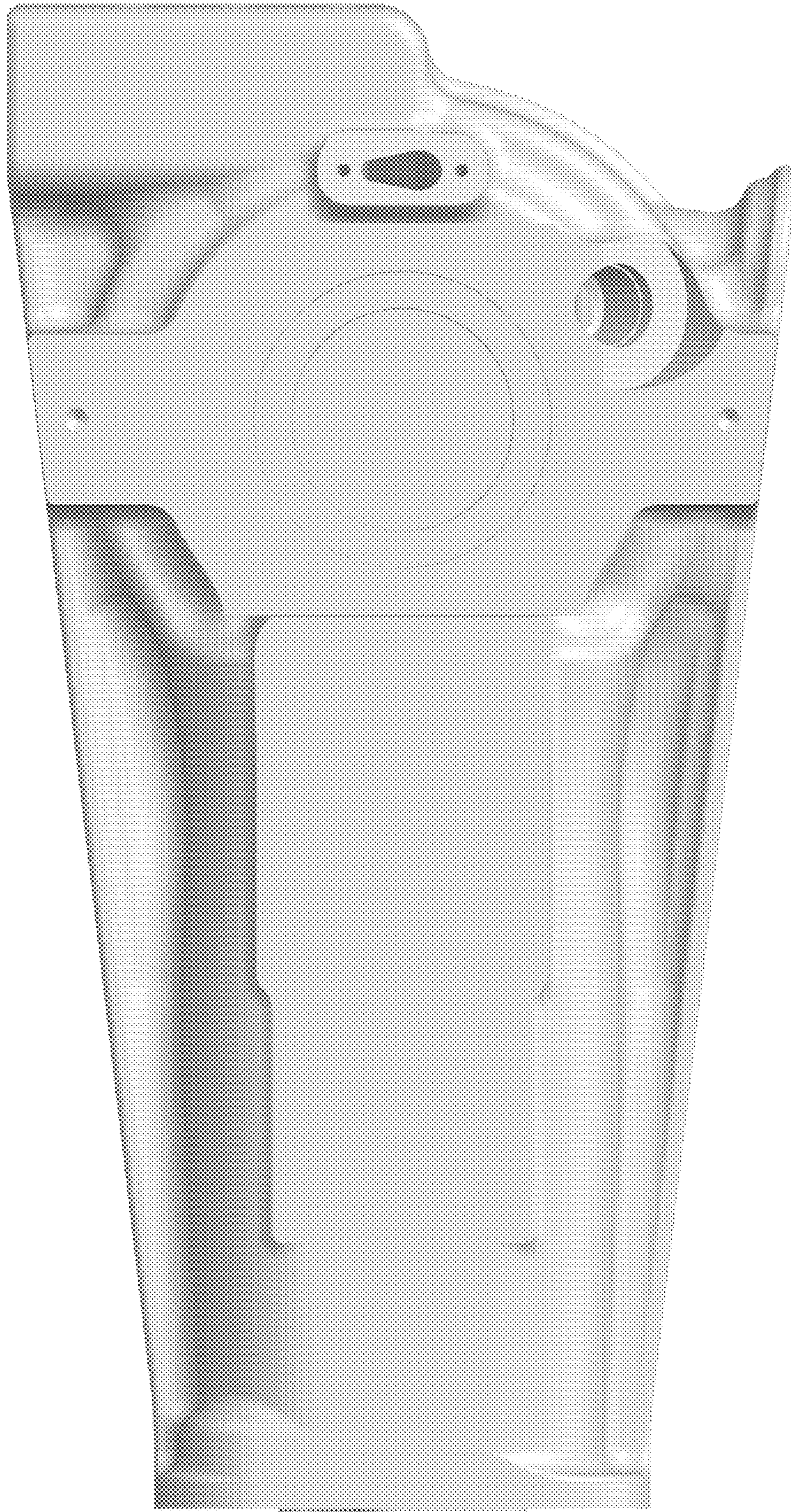
**1 Claim, 7 Drawing Sheets**



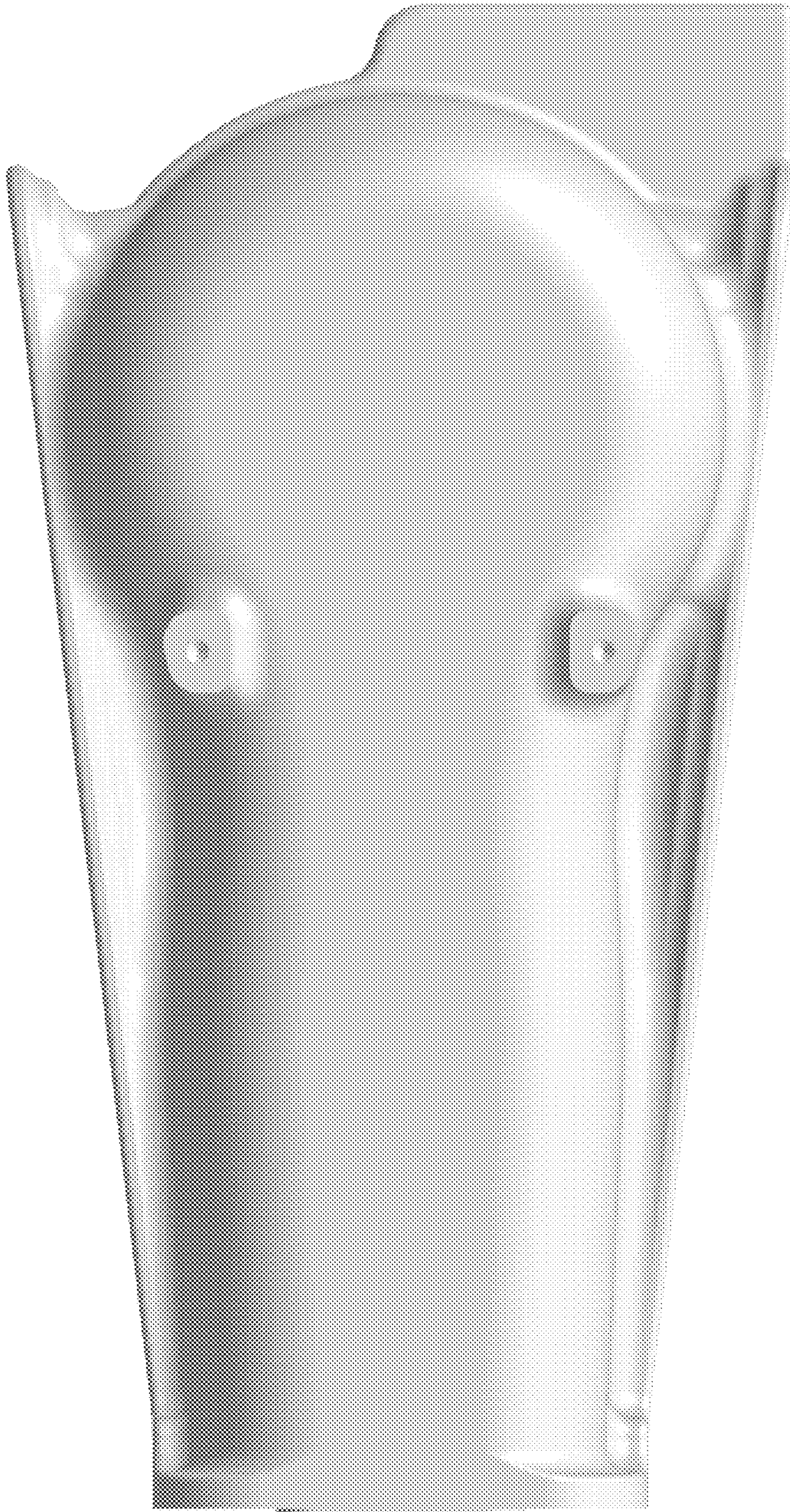
1.1



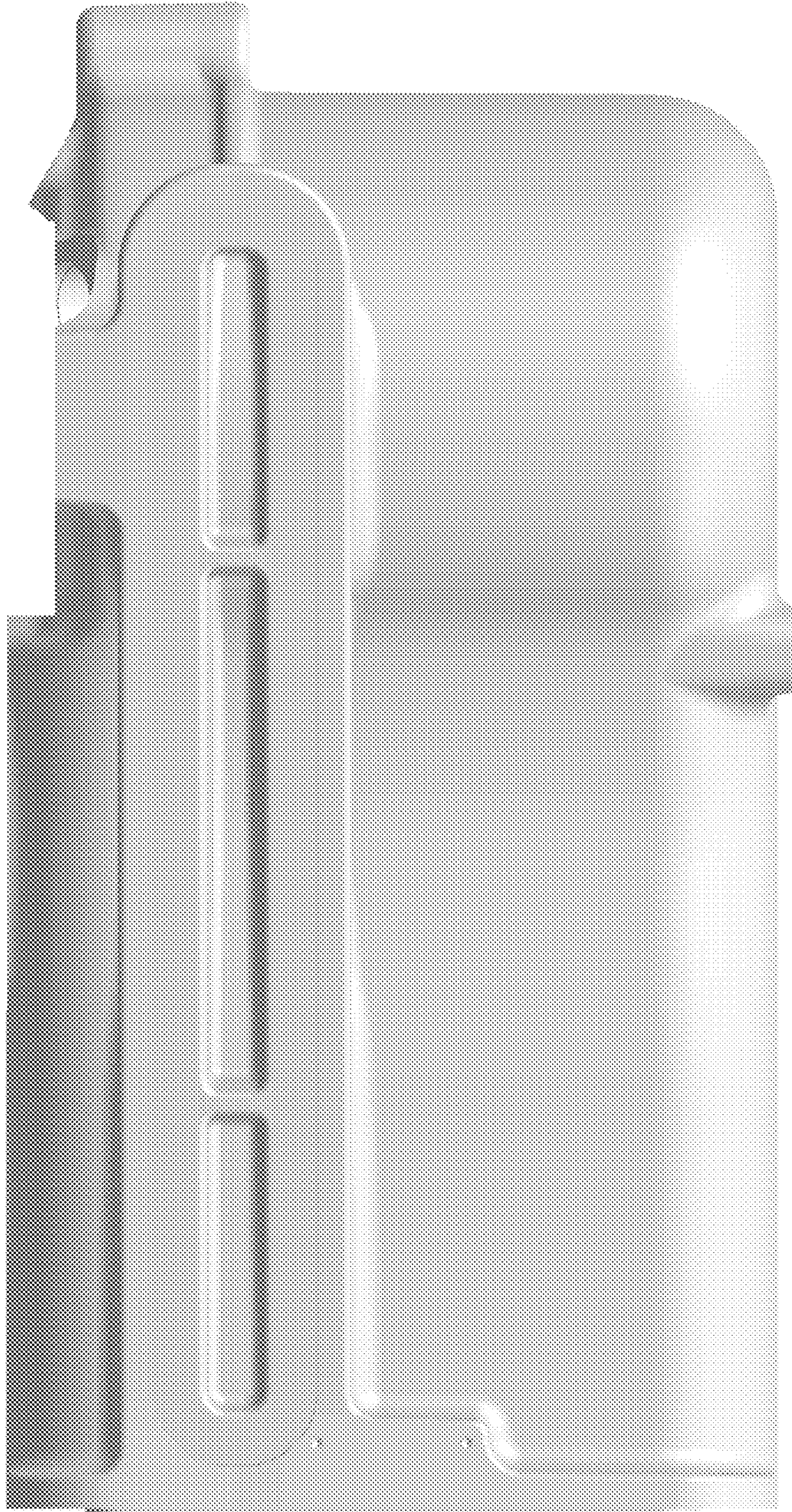
1.2



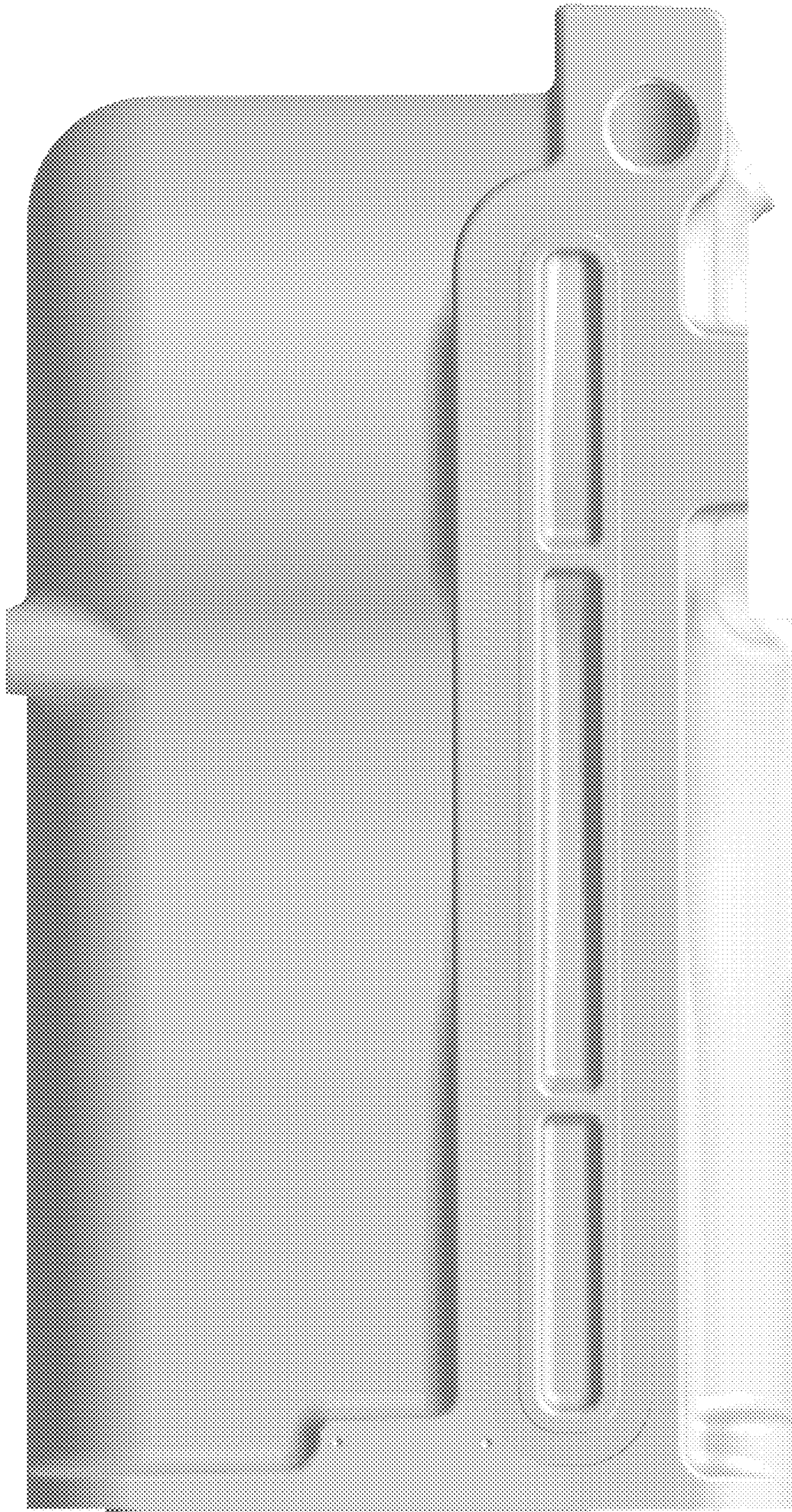
1.3



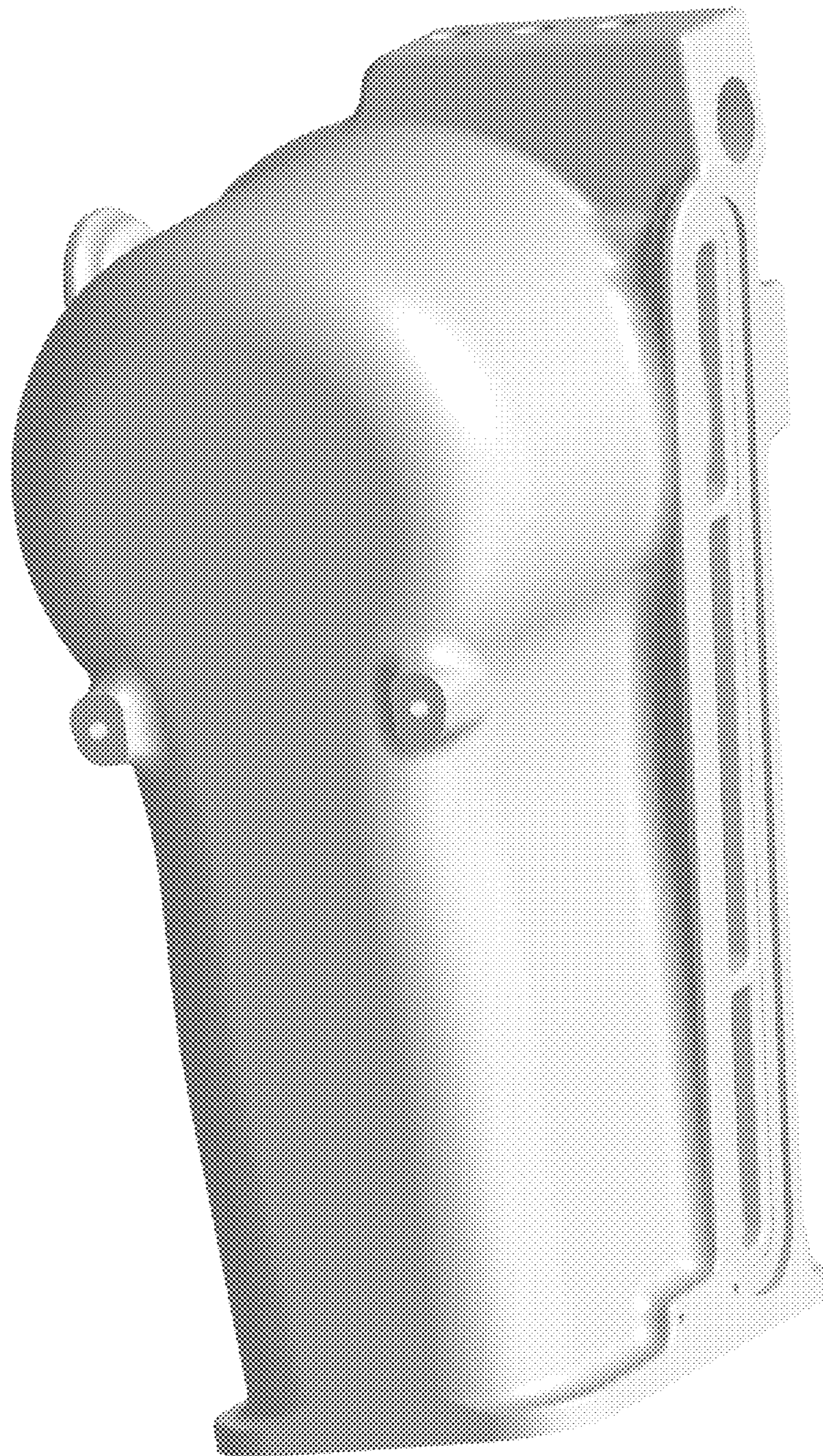
1.4



1.5



1.6



1.7

