



US00D936193S

(12) **United States Design Patent**  
**Cestaro**

(10) **Patent No.:** **US D936,193 S**

(45) **Date of Patent:** **\*\* Nov. 16, 2021**

(54) **WATER HEAT EXCHANGER**

(71) Applicant: **CESTARO FONDERIE SPA,**  
Bressanvido (IT)

(72) Inventor: **Giorgio Cestaro,** Monticello Conte  
Otto (IT)

(\*\*) Term: **15 Years**

(21) Appl. No.: **35/509,908**

(22) Filed: **Jun. 30, 2020**

(80) **Hague Agreement Data**

Int. Filing Date: **Jun. 30, 2020**

Int. Reg. No.: **DM/209319**

Int. Reg. Date: **Jun. 30, 2020**

Int. Reg. Pub. Date: **Jul. 31, 2020**

(51) **LOC (13) Cl.** ..... **23-03**

(52) **U.S. Cl.**  
USPC ..... **D23/323**

(58) **Field of Classification Search**  
USPC ..... D23/318, 320-323, 330, 342  
CPC ..... F23D 14/586; F24H 1/145; F24H 1/40;  
F24H 1/41; F24H 1/445; F24H 8/00;  
F24H 8/006  
See application file for complete search history.

(56) **References Cited**

U.S. PATENT DOCUMENTS

D402,021 S \* 12/1998 Allen ..... D23/356  
D453,560 S \* 2/2002 Van Brunt ..... D23/355

D515,190 S \* 2/2006 Bartholmey ..... D23/365  
D574,938 S \* 8/2008 Martin ..... D23/323  
D696,389 S \* 12/2013 Harden ..... D23/318  
8,851,022 B2 \* 10/2014 Jacques ..... F24H 9/148  
D23/320  
D731,632 S \* 6/2015 Kulp ..... D23/359  
D844,123 S \* 3/2019 Schumann ..... D23/318  
D845,453 S \* 4/2019 Shono ..... D23/318  
D854,673 S \* 7/2019 Kice ..... D23/365  
D863,519 S \* 10/2019 Hayden ..... D23/322  
D870,868 S \* 12/2019 Hayden ..... D23/322  
D904,589 S \* 12/2020 Oohigashi ..... D23/323  
D921,863 S \* 6/2021 Oliva ..... D23/318

\* cited by examiner

*Primary Examiner* — Natasha Vujcic

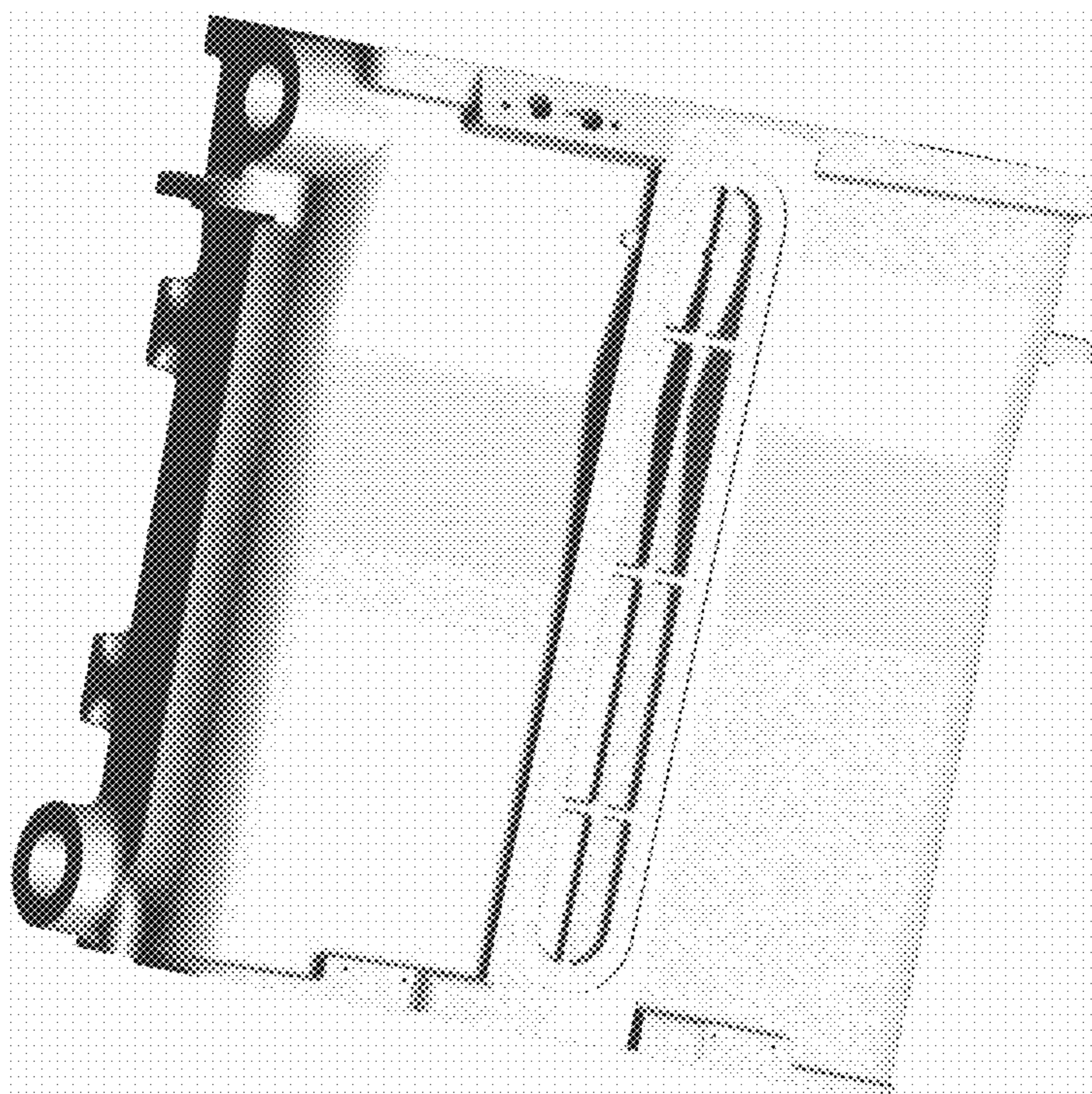
(57) **CLAIM**

The ornamental design for a water heat exchanger, as shown and described.

**DESCRIPTION**

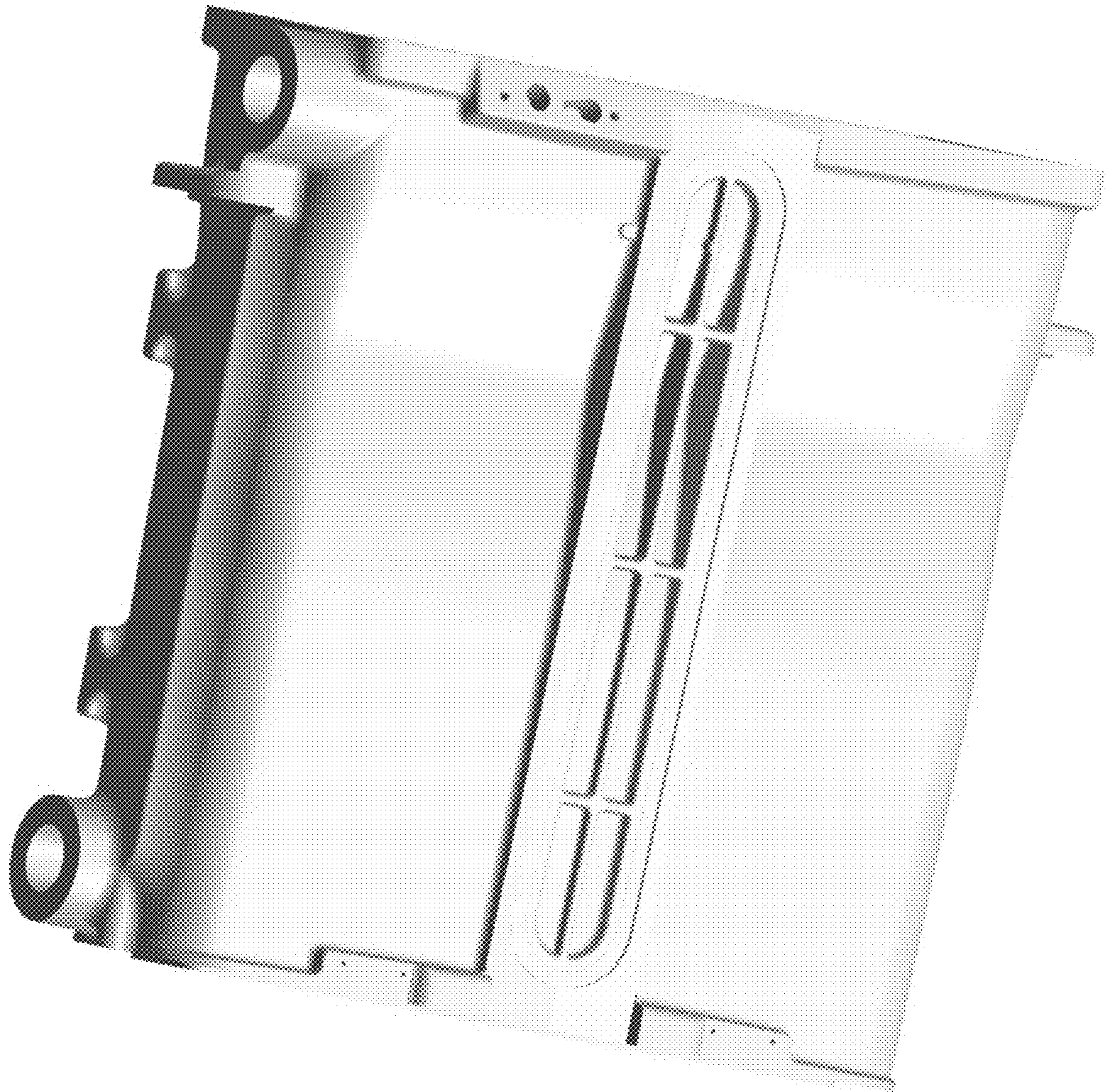
- 1. Water heat exchanger
- 1.1 : Perspective
- 1.2 : Front
- 1.3 : Back
- 1.4 : Left
- 1.5 : Right
- 1.6 : Perspective
- 1.7 : Perspective

**1 Claim, 7 Drawing Sheets**



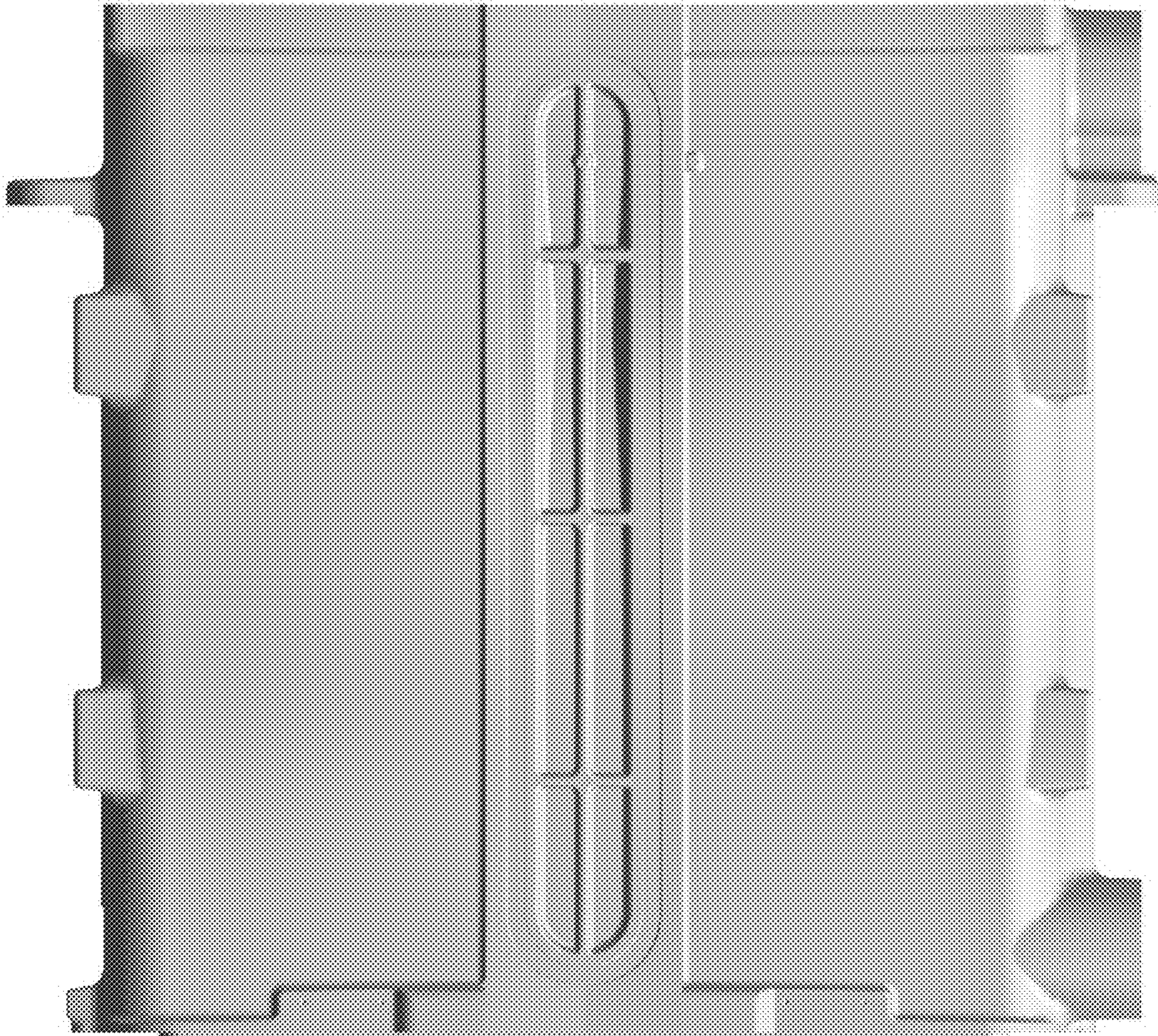


1.1



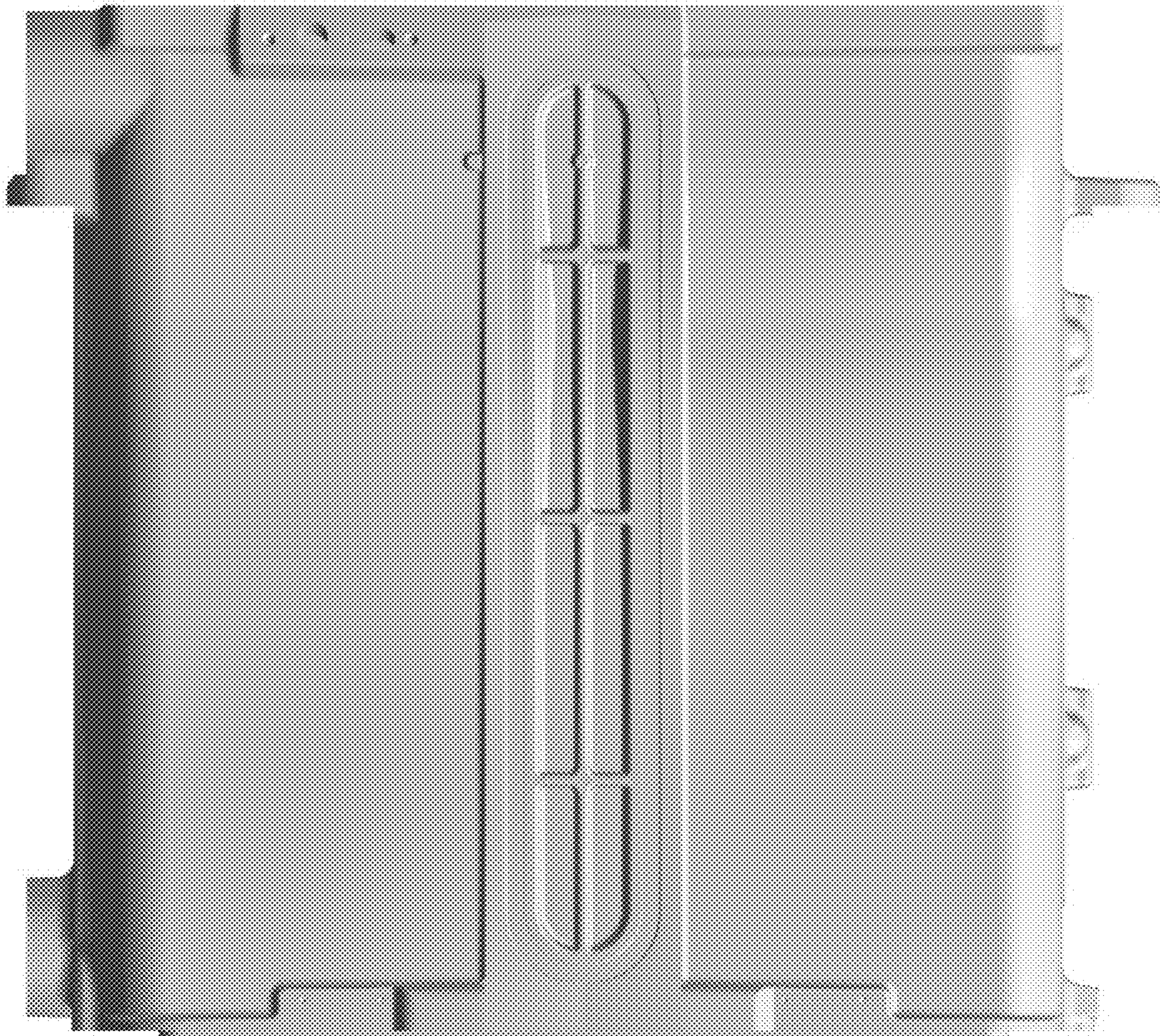


1.2



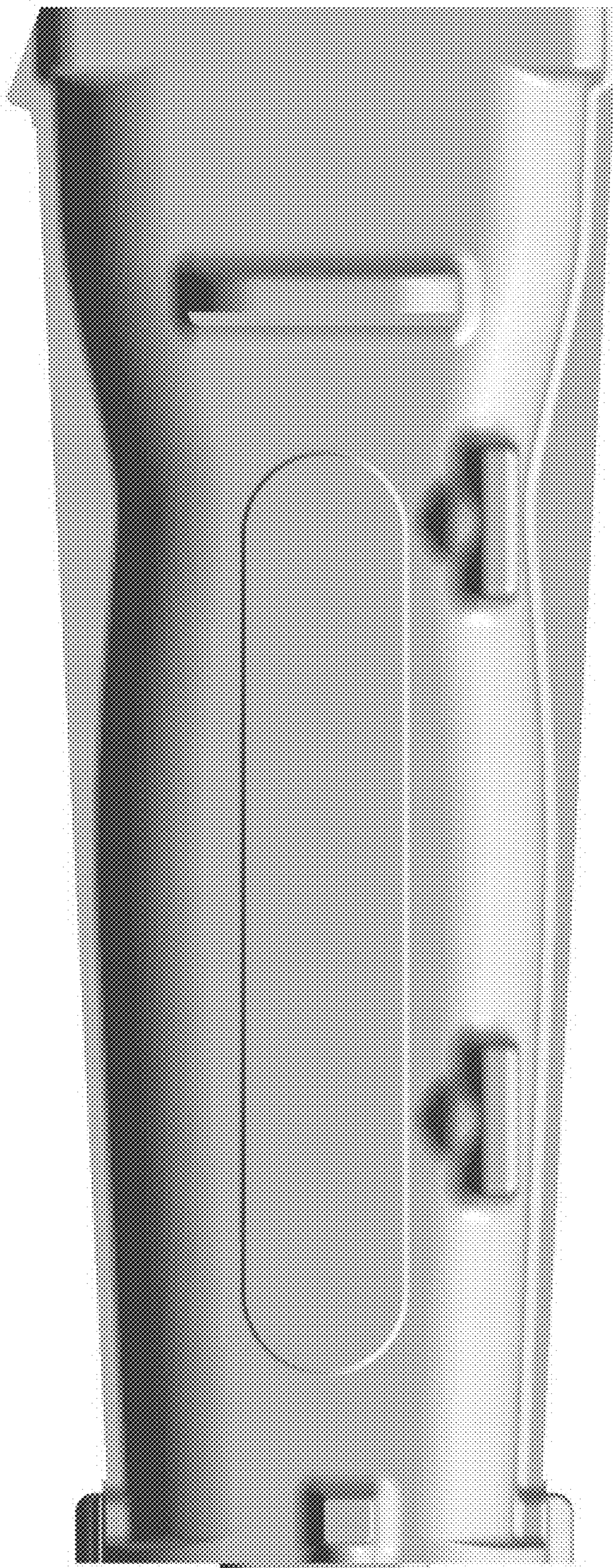


1.3



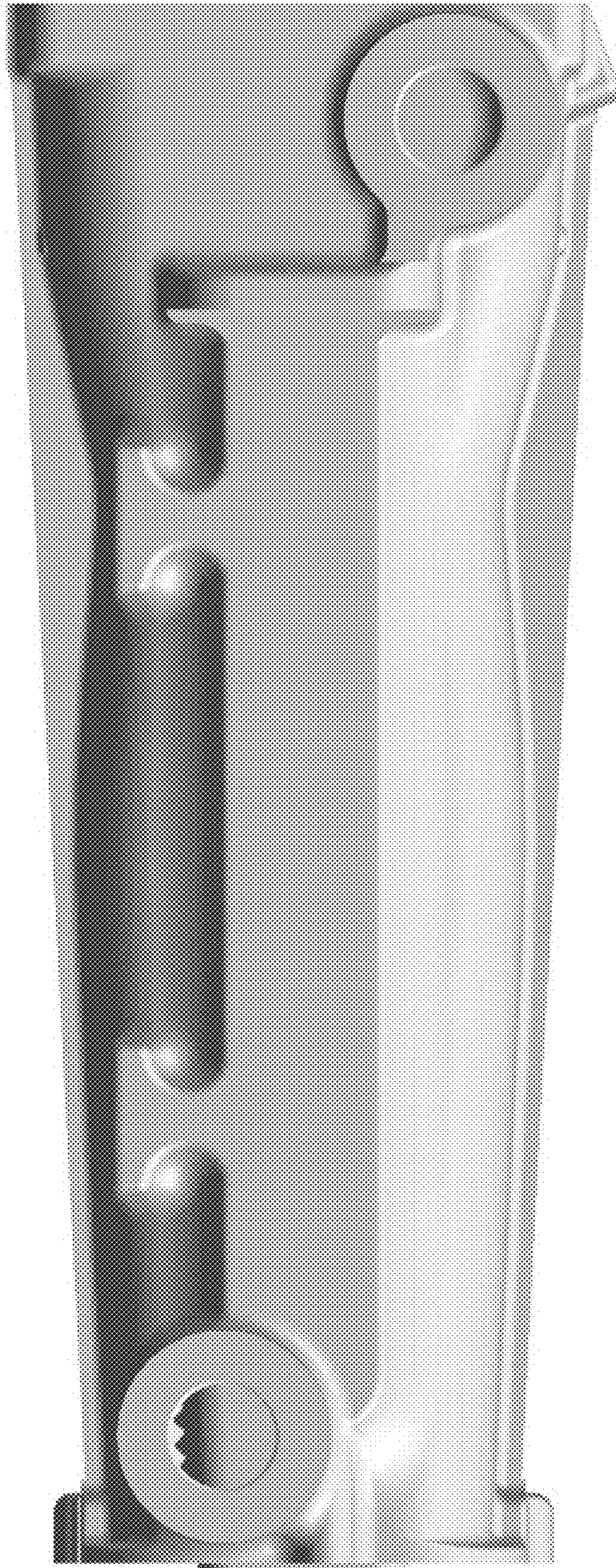


1.4



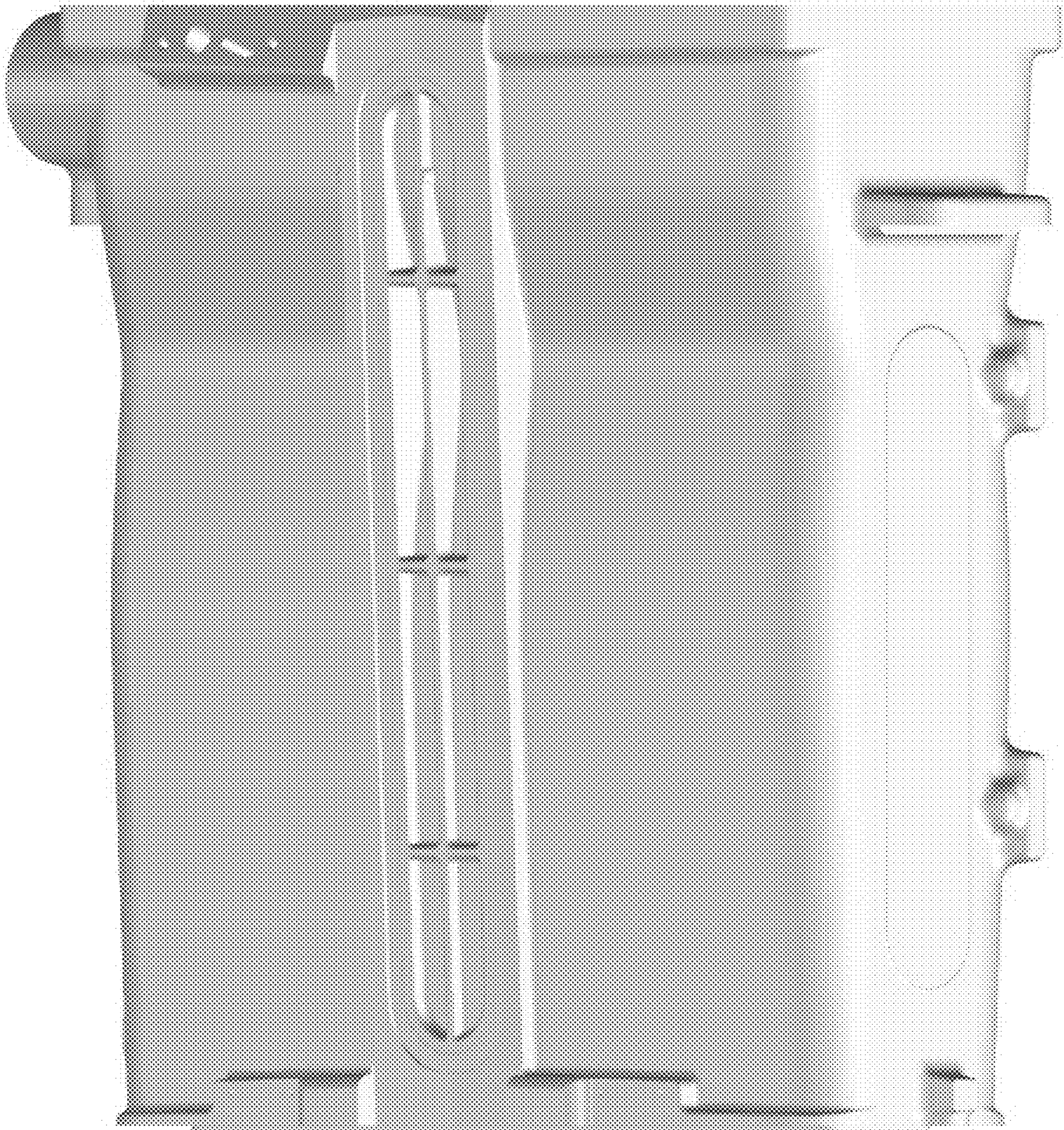


1.5





1.6





1.7

