



US00D936191S

(12) **United States Design Patent**
Hochstadt

(10) **Patent No.:** **US D936,191 S**

(45) **Date of Patent:** **** Nov. 16, 2021**

(54) **VANITY**

(71) Applicant: **Bacino 88 Pty Ltd**, St Leonards (AU)

(72) Inventor: **Marc Hochstadt**, St Leonards (AU)

(73) Assignee: **Bacino 88 Pty Ltd**, St Leonards (AU)

(**) Term: **15 Years**

(21) Appl. No.: **29/715,036**

(22) Filed: **Nov. 27, 2019**

(30) **Foreign Application Priority Data**

Jul. 9, 2019 (AU) 201913845

(51) **LOC (13) Cl.** **23-02**

(52) **U.S. Cl.**

USPC **D23/286**

(58) **Field of Classification Search**

USPC D23/271, 284, 286, 293.1, 308;
D24/234; D6/663, 664, 673, 675

See application file for complete search history.

(56) **References Cited**

U.S. PATENT DOCUMENTS

D232,322 S * 8/1974 Lee D23/286
5,343,574 A * 9/1994 Butte A47K 1/02
4/516

D535,369 S * 1/2007 Sallick D23/286
D585,118 S * 1/2009 Ziemann D23/286
D813,359 S * 3/2018 Corbetta D23/286

* cited by examiner

Primary Examiner — Robert A Delehanty

(74) *Attorney, Agent, or Firm* — Kaplan Breyer Schwarz, LLP

(57) **CLAIM**

The ornamental design for the vanity, as shown and described.

DESCRIPTION

FIG. 1 is an isometric view of a vanity showing my new design;

FIG. 2 is a bottom plan view thereof;

FIG. 3 is a bottom isometric view thereof;

FIG. 4 is a top plan view thereof;

FIG. 5 is a left side elevation view thereof;

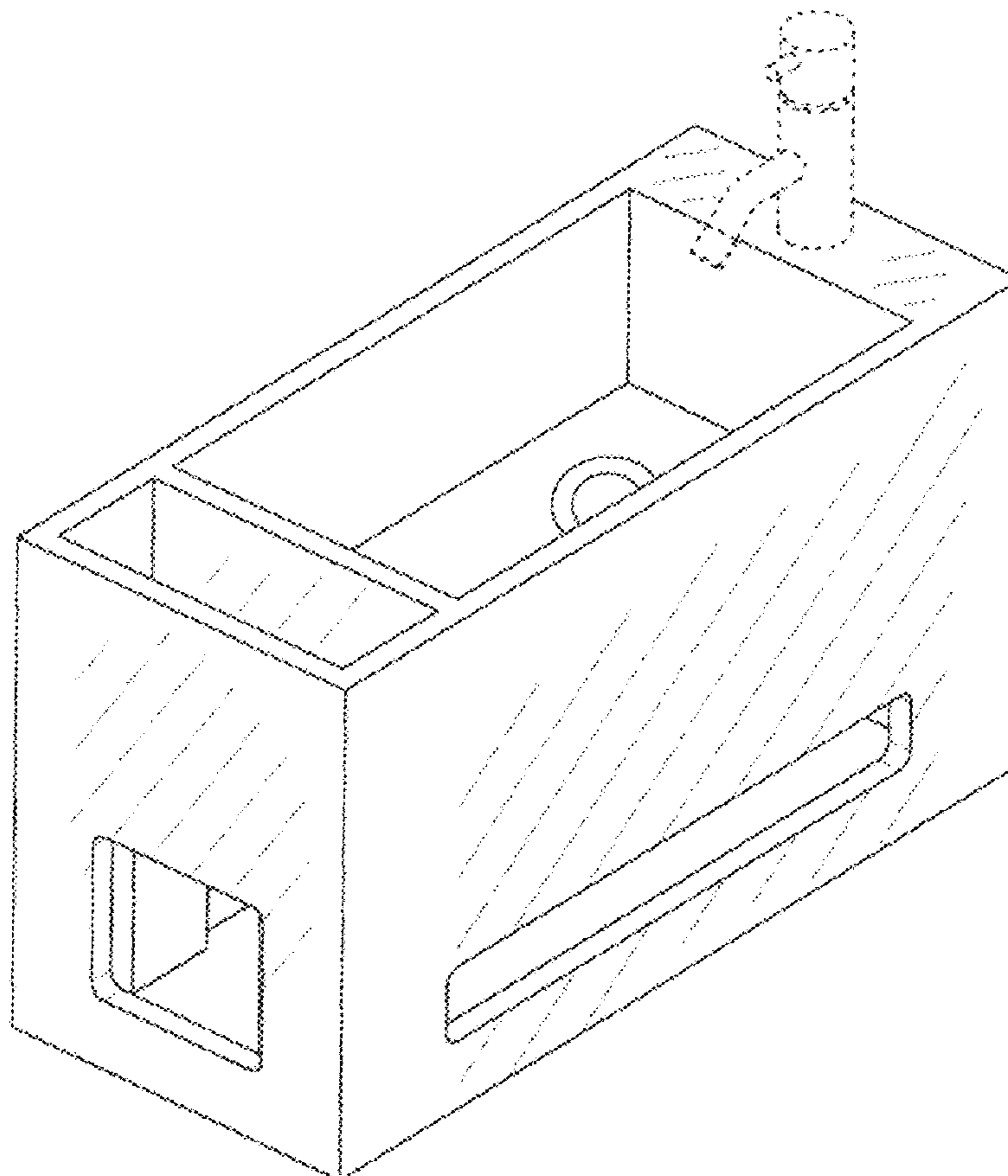
FIG. 6 is a right side elevation view thereof;

FIG. 7 is a front elevation view thereof; and,

FIG. 8 is a rear elevation view thereof.

The features shown in broken lines in the drawing depict portions of the design that form no part of the claimed design.

1 Claim, 8 Drawing Sheets



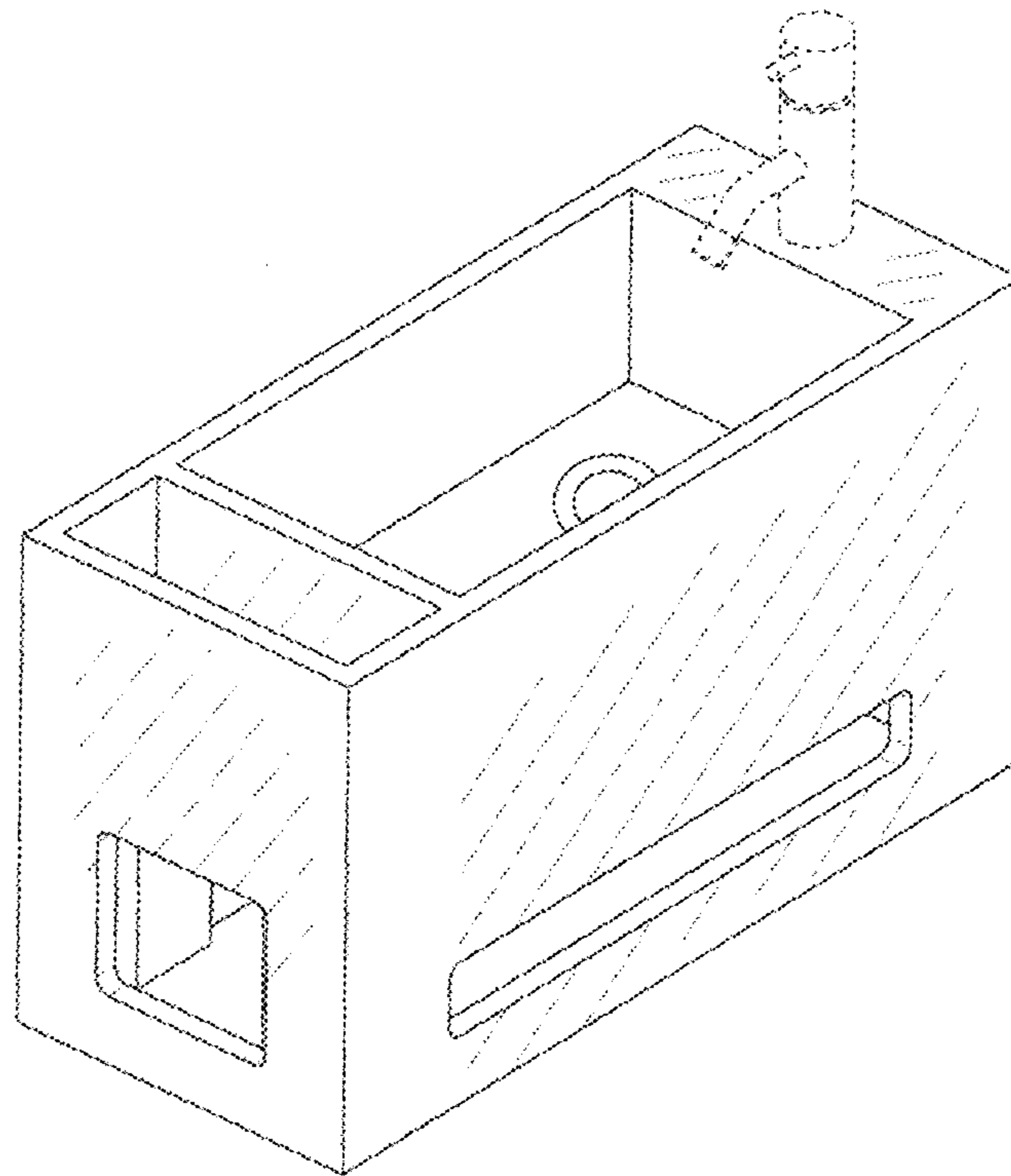


FIG. 1

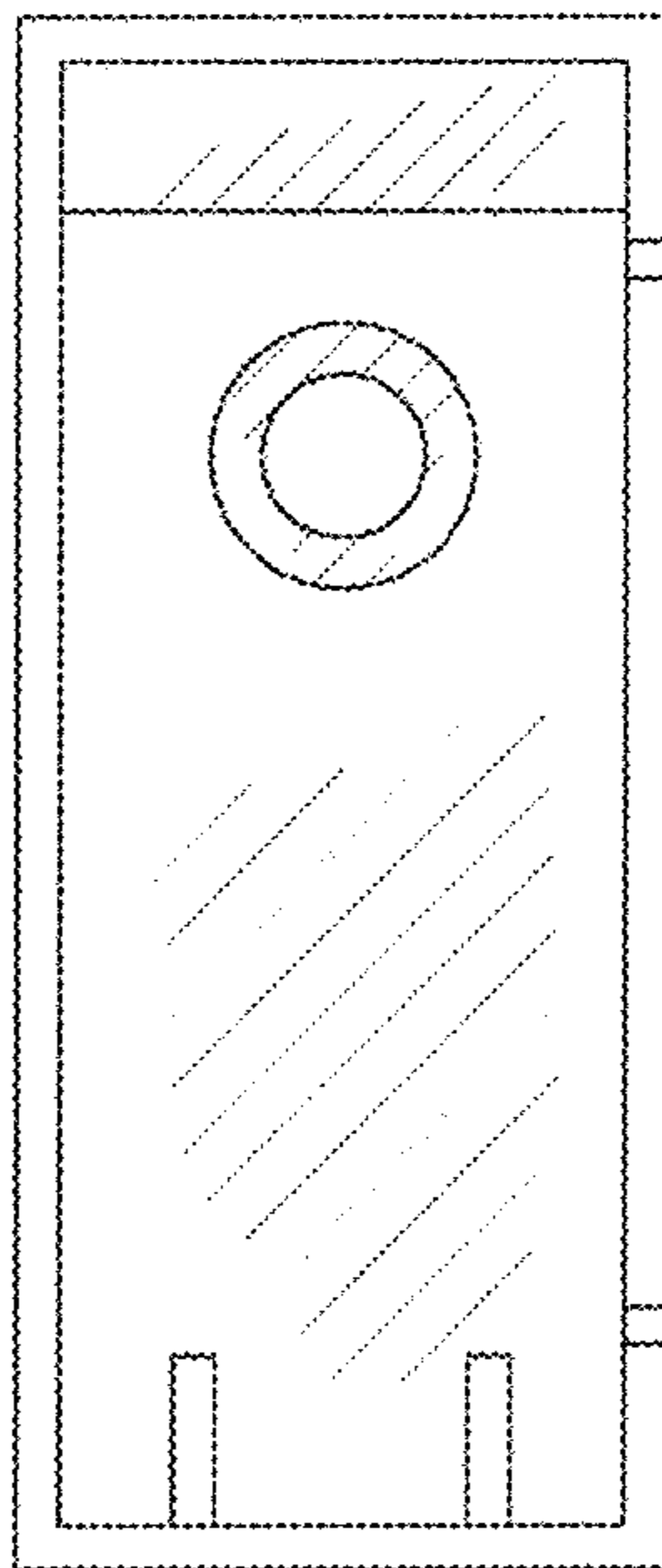


FIG. 2

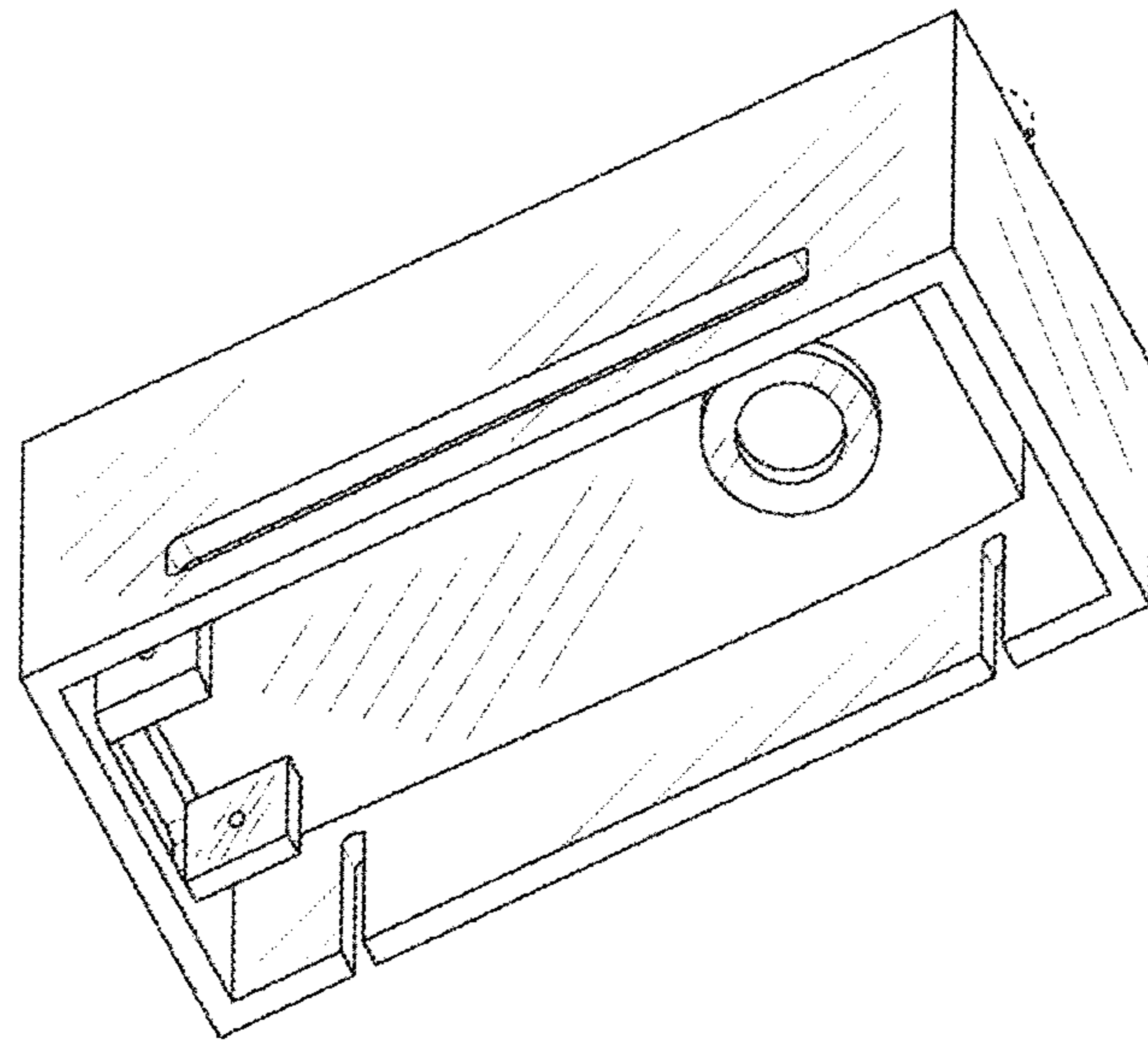


FIG. 3

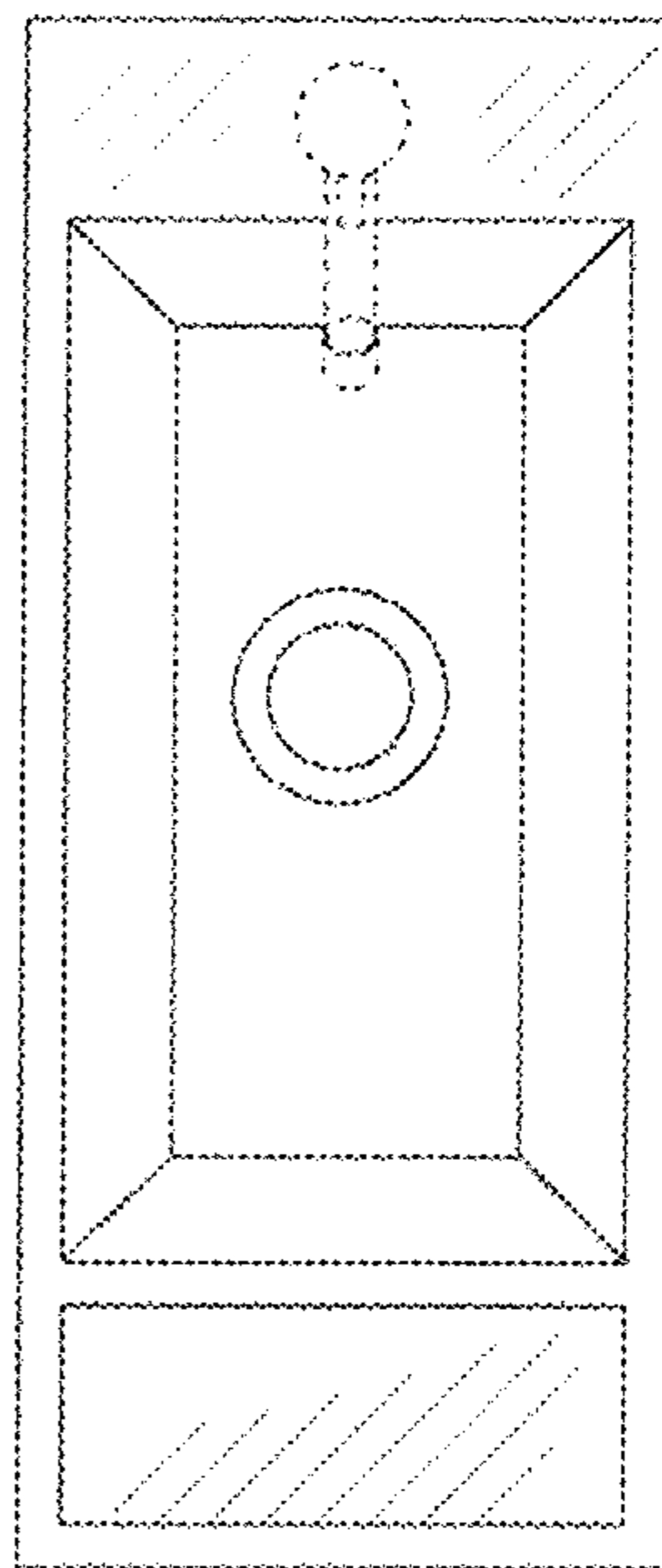


FIG. 4

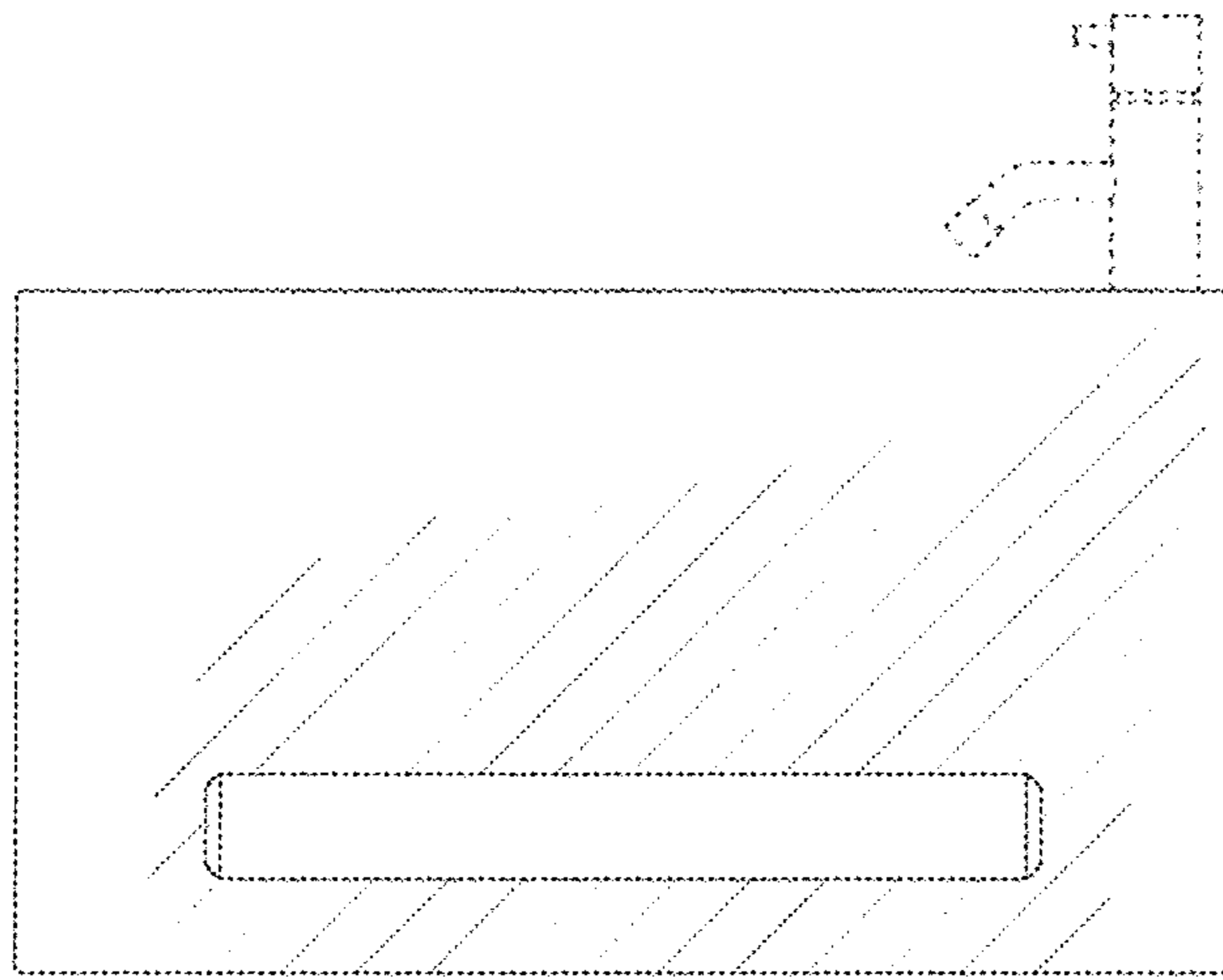


FIG. 5

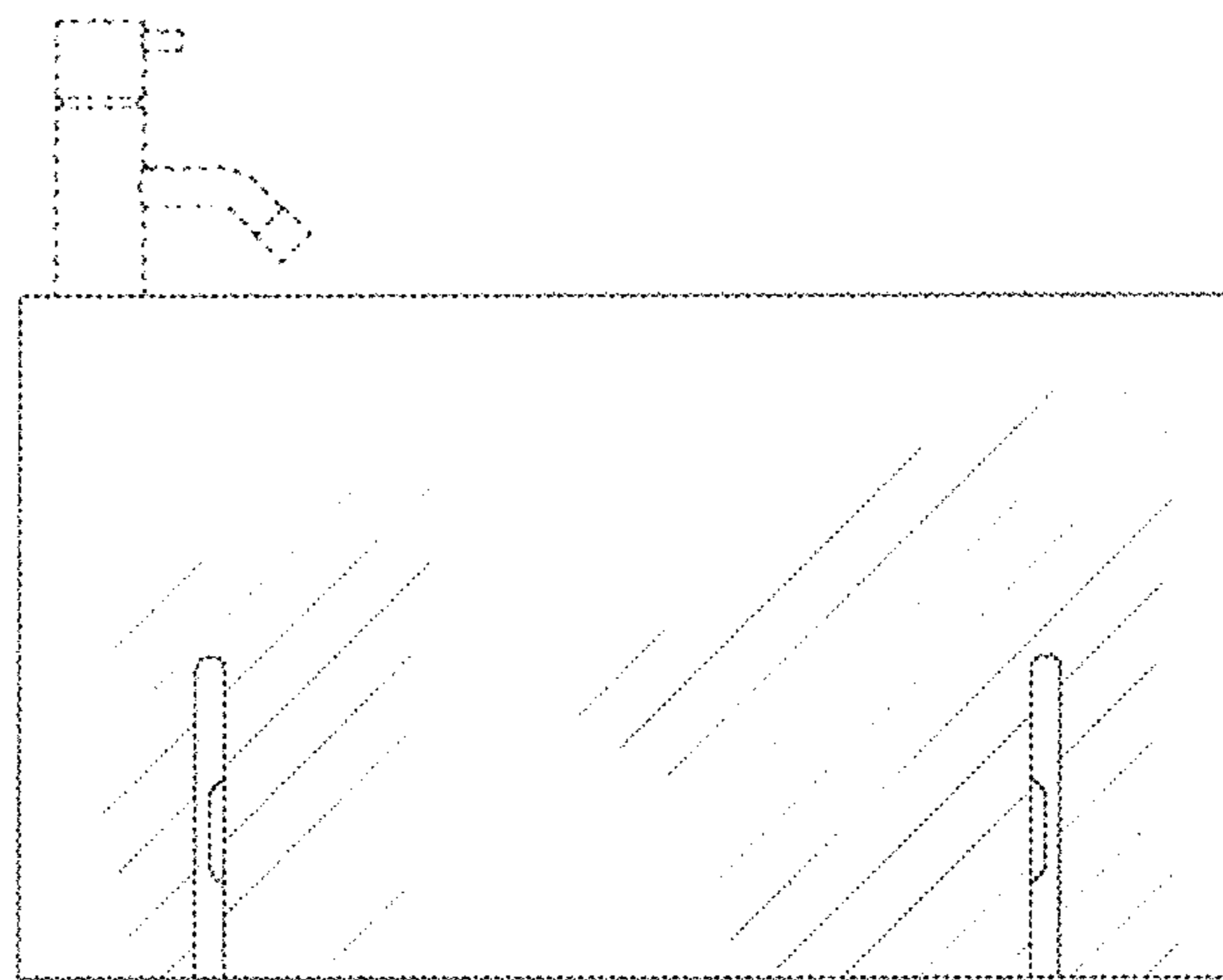


FIG. 6

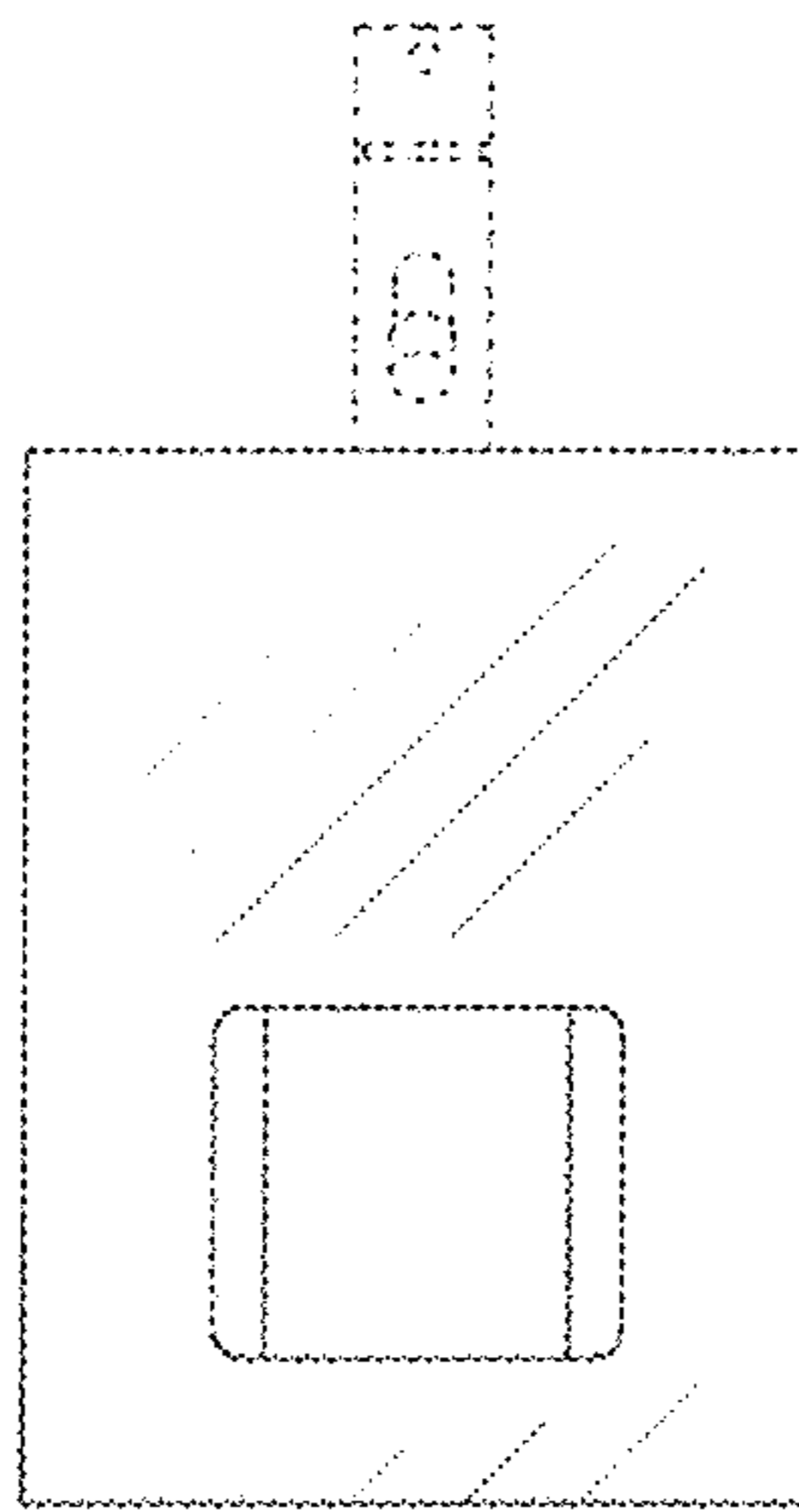


FIG. 7

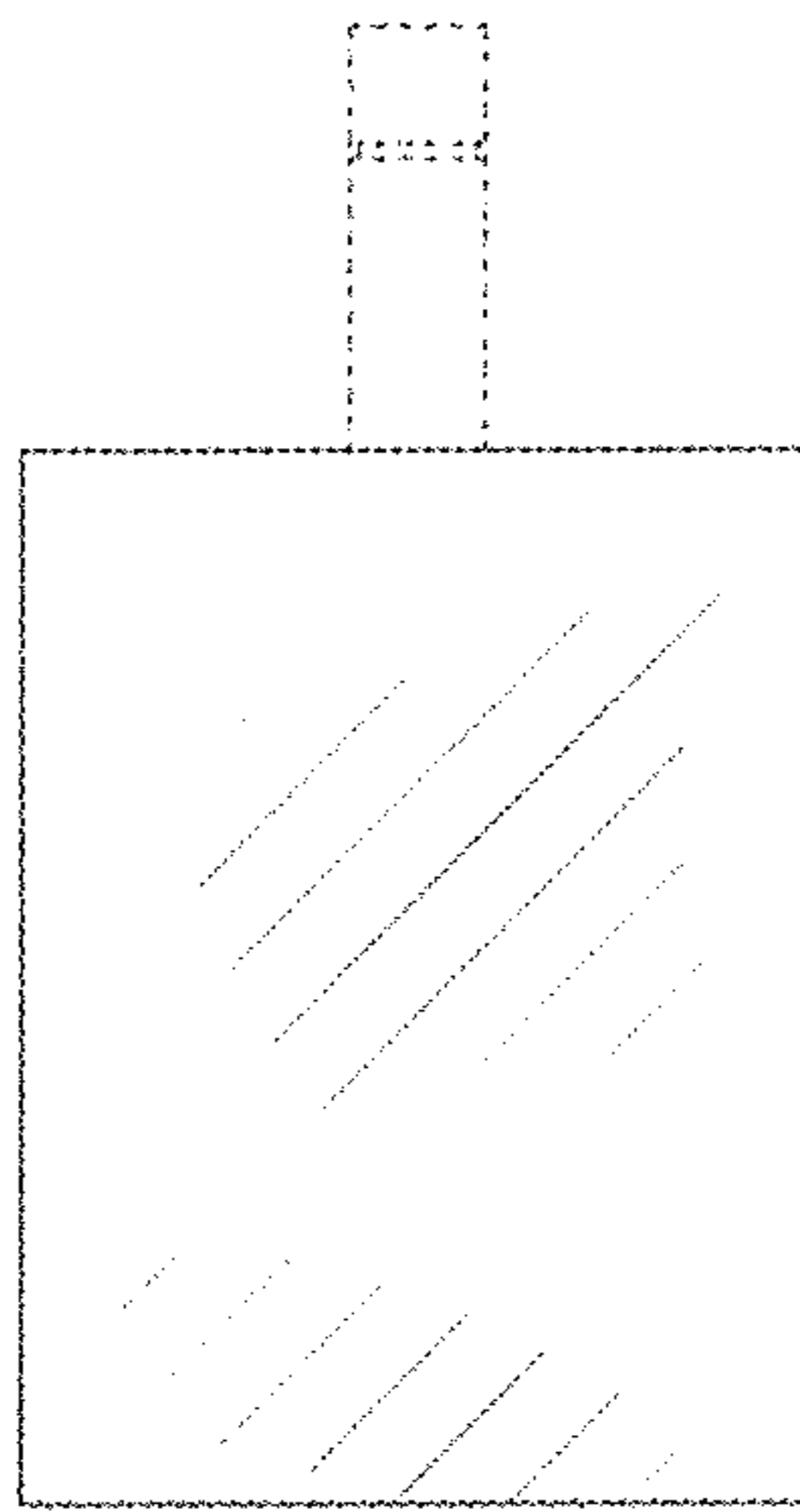


FIG. 8