



US00D936190S

(12) **United States Design Patent** (10) **Patent No.:** **US D936,190 S**
Mathur et al. (45) **Date of Patent:** **** Nov. 16, 2021**

(54) **RIPPLE SEAL**
(71) Applicant: **Caterpillar Inc.**, Peoria, IL (US)
(72) Inventors: **Anish Mathur**, Urbana, IL (US); **Ryan Morge**, Clinton, IL (US); **Hong Lian**, Peoria, IL (US)
(73) Assignee: **Caterpillar Inc.**, Peoria, IL (US)
(**) Term: **15 Years**
(21) Appl. No.: **29/725,908**
(22) Filed: **Feb. 27, 2020**
(51) **LOC (13) Cl.** **23-01**
(52) **U.S. Cl.**
USPC **D23/269**
(58) **Field of Classification Search**
USPC D23/259–260, 262, 269
CPC F04B 53/16; F04B 53/143; F16J 15/3268;
F16J 15/106; F16K 3/0227; F16K 35/00;
F16K 49/00; F16K 51/02; F16L 55/07;
F16L 55/1007; F16L 55/1015; F16L
55/1108; F16L 55/1152; F16L 5/02; F16L
5/10; E03B 7/12; E03C 1/30; E03C
1/222; E03C 1/286; E04D 13/1406; E04D
13/1407
See application file for complete search history.

(56) **References Cited**
U.S. PATENT DOCUMENTS
3,255,838 A 6/1966 Goldman
D380,039 S * 6/1997 Sutherland D23/269
D436,157 S * 1/2001 Houseman D23/259
D442,609 S * 5/2001 Quantz D15/123
D447,222 S * 8/2001 Mathers D23/269
6,357,956 B1 3/2002 Zebolsky et al.
6,644,883 B2 11/2003 Davis
D585,968 S * 2/2009 Elkins D23/259
D593,641 S * 6/2009 Plank D23/259

D631,948 S * 2/2011 Yoshida D23/269
D638,522 S * 5/2011 Yoshida D23/269
D638,523 S * 5/2011 Yoshida D23/269
D681,176 S * 4/2013 Chacko D23/269
D699,328 S * 2/2014 Haynes D23/269
D722,621 S * 2/2015 Gray D15/28
9,109,702 B2 8/2015 Mathew et al.
D785,768 S * 5/2017 Haynes F16L 5/10
D23/269
D792,563 S * 7/2017 Coronado D23/269
D834,156 S * 11/2018 Soria D23/269
D888,903 S * 6/2020 Gunther D23/269
D893,684 S * 8/2020 Matthys D23/269
D893,685 S * 8/2020 Evans D23/269
D895,076 S * 9/2020 Kuroda D23/269
(Continued)

FOREIGN PATENT DOCUMENTS

CN 202402638 U 8/2012
CN 203142778 U 8/2013
(Continued)

Primary Examiner — Darlington Ly
(74) *Attorney, Agent, or Firm* — Oblon, McClelland,
Maier & Neustadt

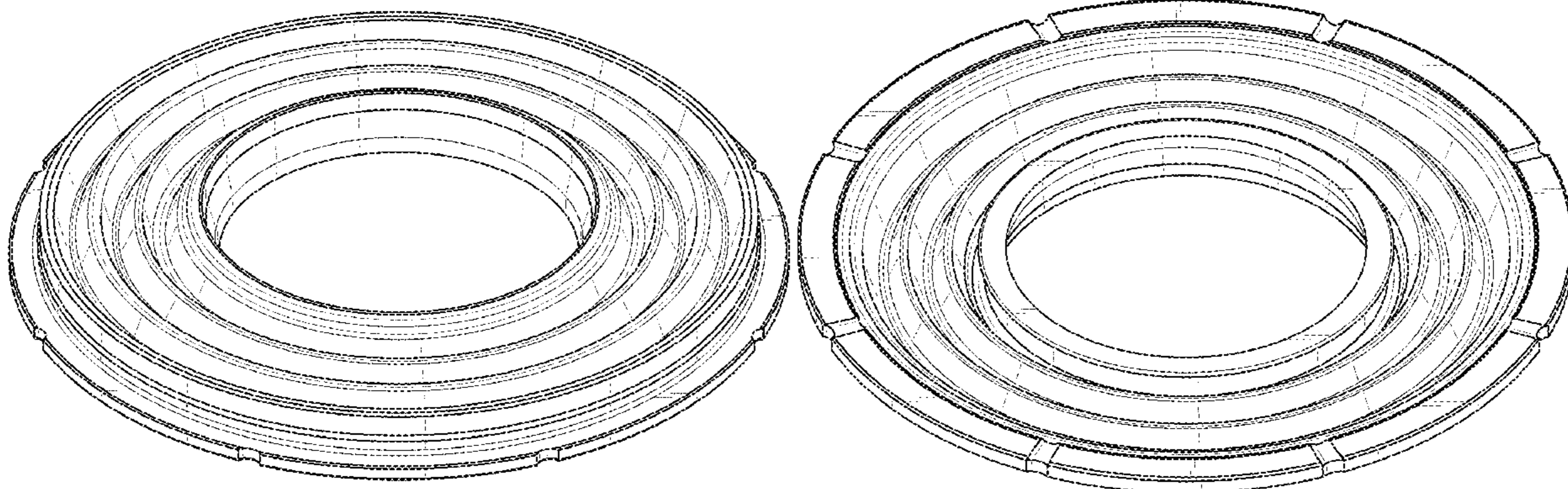
(57) **CLAIM**

The ornamental design for a ripple seal, as shown and described.

DESCRIPTION

FIG. 1 is a top perspective view of a ripple seal according to our design;
FIG. 2 is a bottom perspective view thereof;
FIG. 3 is a front elevational view thereof;
FIG. 4 is a rear elevational view thereof;
FIG. 5 is a left side elevational view thereof;
FIG. 6 is a right side elevational view thereof;
FIG. 7 is a top plan view thereof; and,
FIG. 8 is a bottom plan view thereof.

1 Claim, 8 Drawing Sheets



(56)

References Cited

U.S. PATENT DOCUMENTS

D895,777 S * 9/2020 Chase D23/269
D896,353 S * 9/2020 Nakagawa D23/269
D917,026 S * 4/2021 Pacheco D23/269
D922,545 S * 6/2021 Kang F16J 15/025
D23/269
D922,547 S * 6/2021 Kim F16J 15/025
D23/269
2006/0145428 A1* 7/2006 Dudman F16L 23/22
277/626
2007/0059092 A1 3/2007 Elterman et al.
2011/0140371 A1* 6/2011 Strydom F16L 23/18
277/609
2017/0276169 A1 9/2017 Parker, Jr. et al.
2018/0258983 A1 9/2018 Reddehase et al.
2019/0291526 A1 9/2019 Kuroda

FOREIGN PATENT DOCUMENTS

CN 208198577 U 12/2018
DE 10 2016 207 957 A1 11/2017
KR 20190123490 11/2019

* cited by examiner

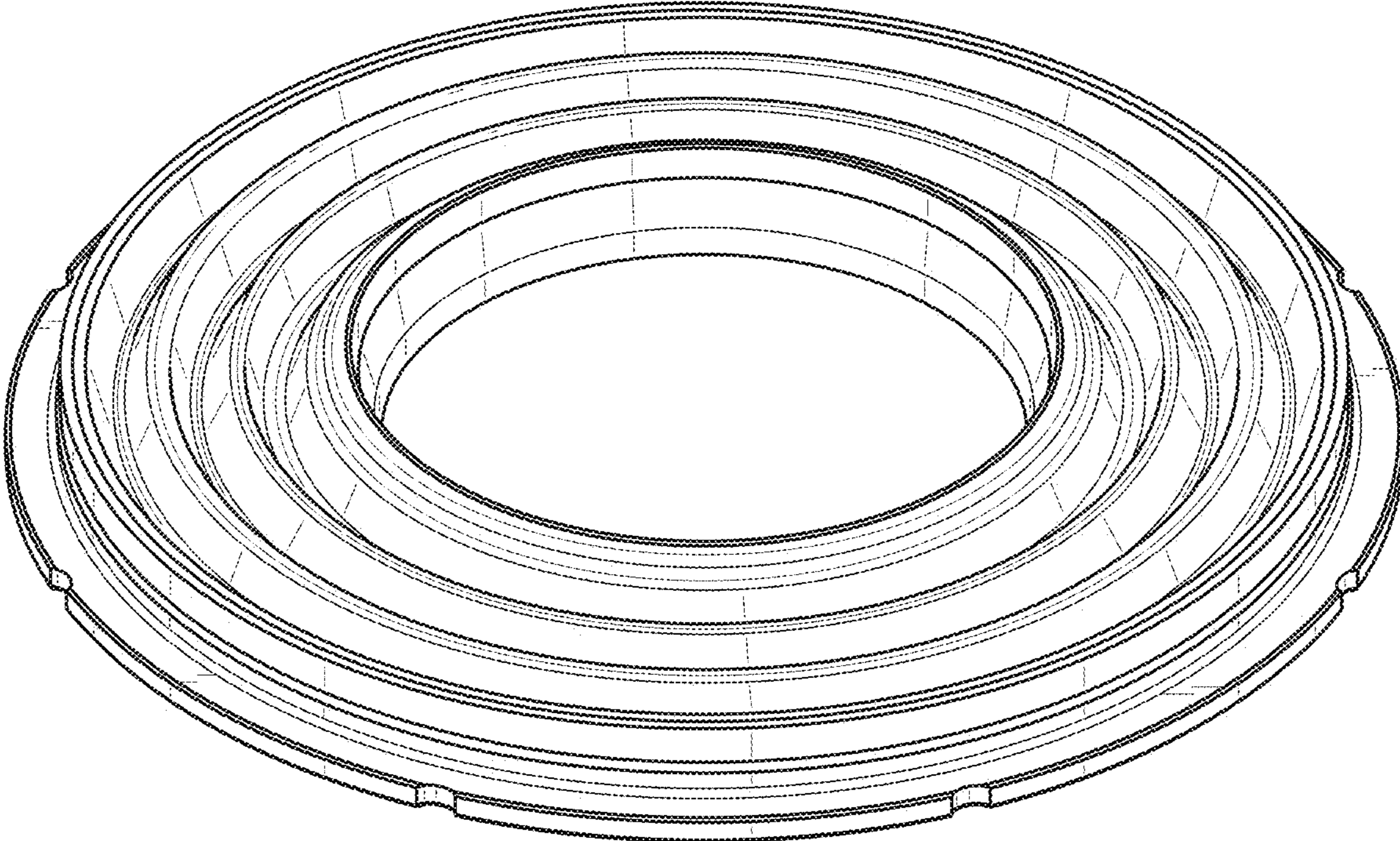


FIG. 1

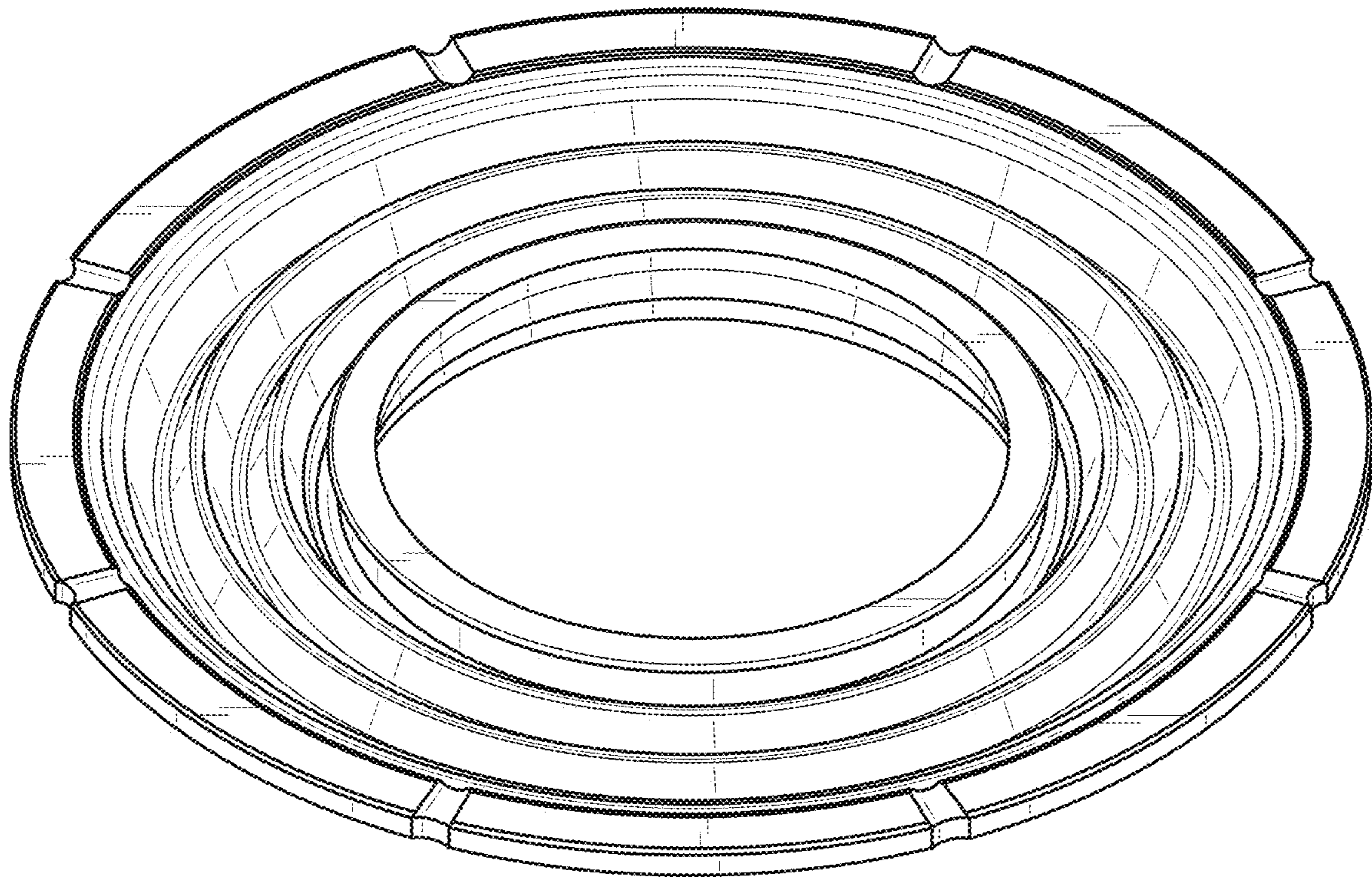


FIG. 2

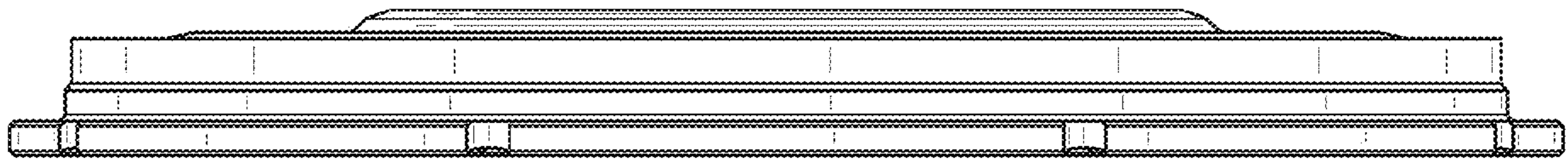


FIG. 3

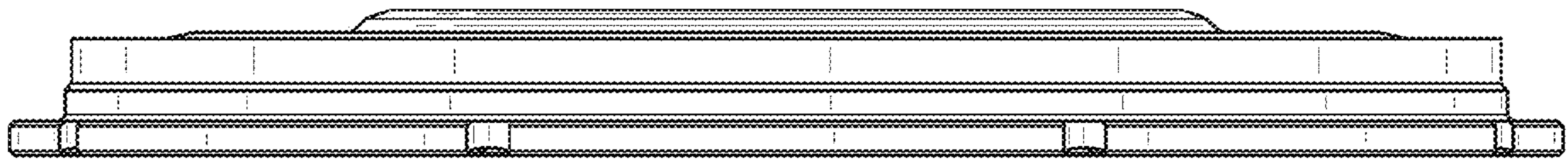


FIG. 4

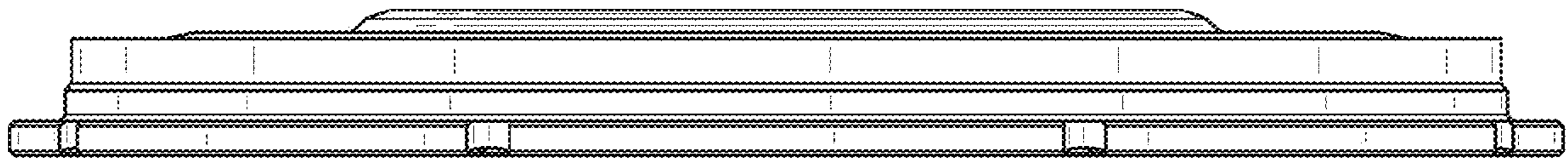


FIG. 5

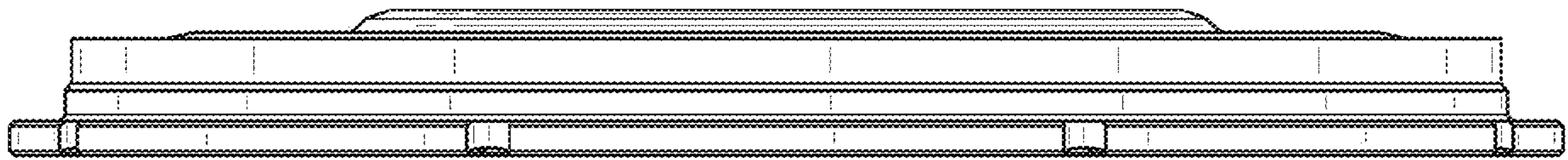


FIG. 6

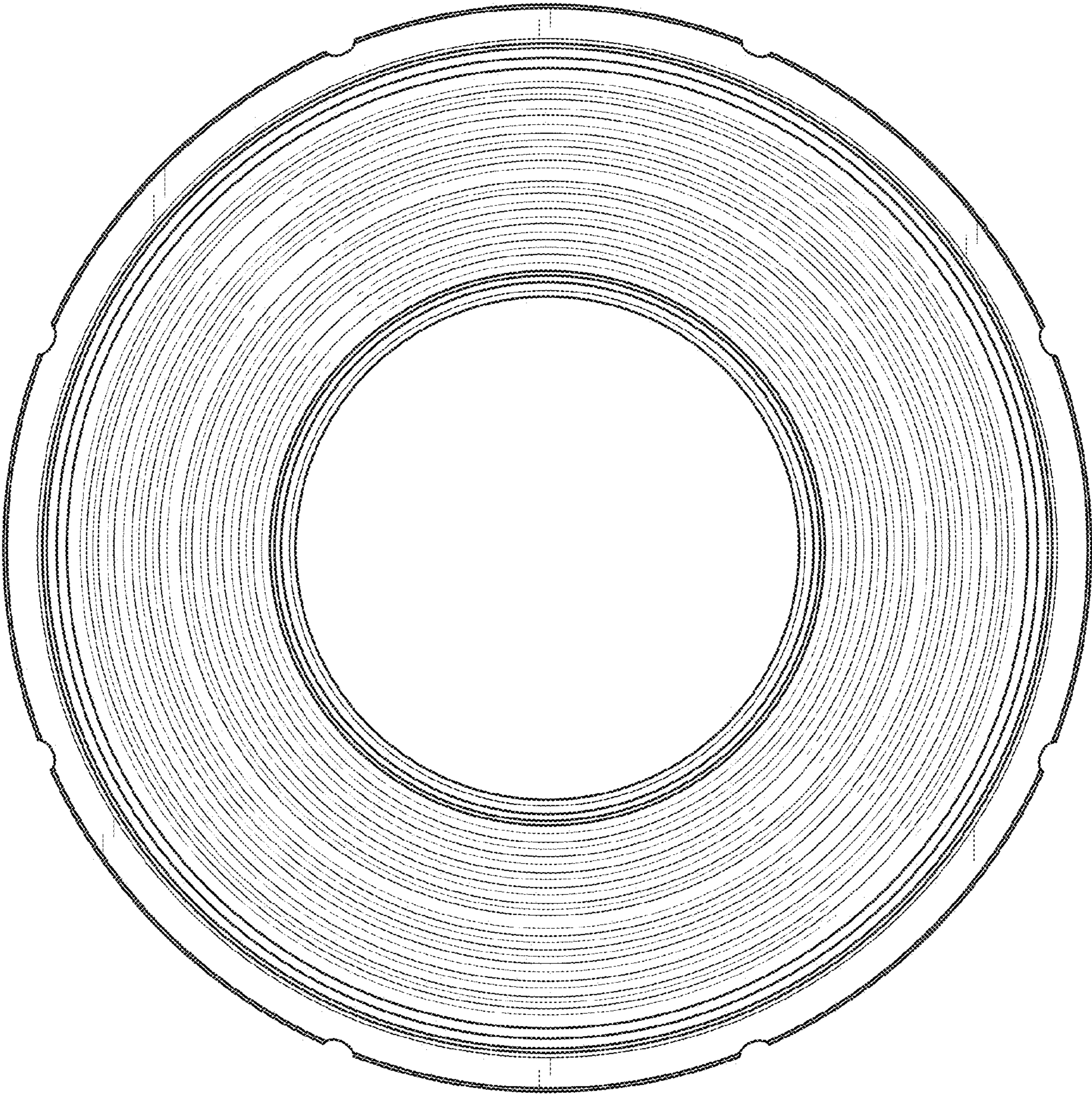


FIG. 7

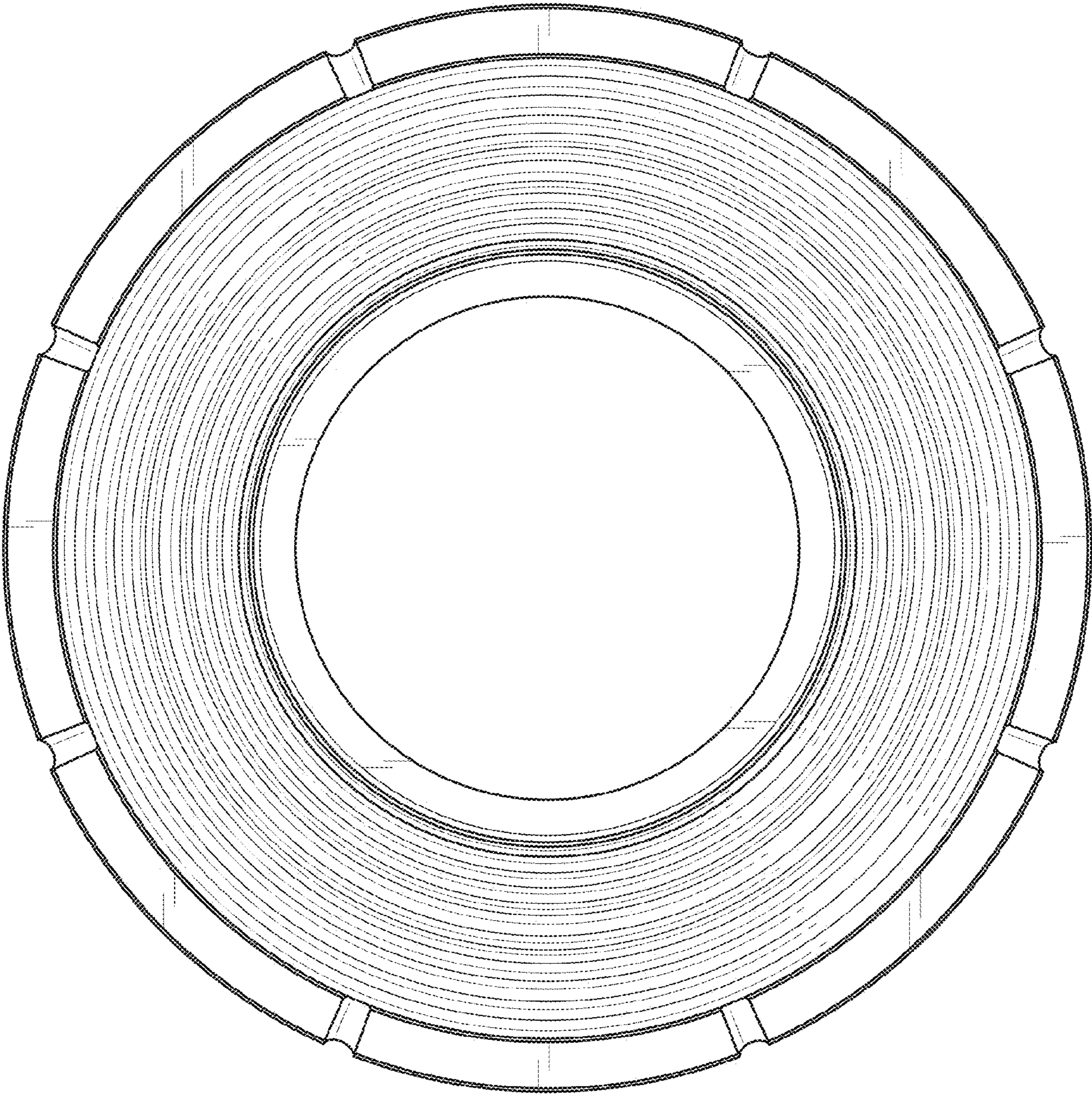


FIG. 8