



US00D936189S

(12) **United States Design Patent**  
**Ikushima**

(10) **Patent No.:** **US D936,189 S**

(45) **Date of Patent:** **\*\* Nov. 16, 2021**

(54) **ADAPTER FOR PRECISION FLUID DISPENSER TUBE**

(71) Applicant: **MUSASHI ENGINEERING, INC.**,  
Tokyo (JP)

(72) Inventor: **Kazumasa Ikushima**, Tokyo (JP)

(73) Assignee: **MUSASHI ENGINEERING, INC.**,  
Tokyo (JP)

(\*\*) Term: **15 Years**

(21) Appl. No.: **29/716,996**

(22) Filed: **Dec. 13, 2019**

**Related U.S. Application Data**

(62) Division of application No. 35/504,684, filed on Sep. 27, 2017 (U.S. filing date under 35 U.S.C. 384), and having an international filing date of Sep. 27, 2017, now Pat. No. Des. 873,388.

(30) **Foreign Application Priority Data**

Mar. 28, 2017 (JP) ..... 2017-006363  
Mar. 28, 2017 (JP) ..... 2017-006364  
Mar. 28, 2017 (JP) ..... 2017-006365

(51) **LOC (13) Cl.** ..... **23-01**

(52) **U.S. Cl.**  
USPC ..... **D23/262; D23/259**

(58) **Field of Classification Search**  
USPC ..... D23/207, 208, 213, 233, 249, 258-260,  
D23/262, 265; D24/127, 129, 130, 232  
CPC ..... B60J 10/00; E01C 11/02; E01C 11/10;  
E01C 11/106; E01C 23/00; E01C 23/02  
See application file for complete search history.

(56) **References Cited**

**U.S. PATENT DOCUMENTS**

D243,655 S † 3/1977 Matousek ..... D8/354  
4,655,023 A † 4/1987 Yung ..... E04C 5/20  
248/74.4

D335,175 S † 4/1993 Sladek ..... D24/110  
D375,786 S † 11/1996 Morris ..... D23/260  
5,746,611 A † 5/1998 Brown ..... H01R 13/5213  
439/135  
D445,478 S † 7/2001 Reeves ..... D23/213  
D490,103 S † 5/2004 Rangel ..... D19/10  
D502,895 S † 3/2005 Matthies ..... E04C 5/20  
D12/114  
D585,530 S † 1/2009 Ito ..... D23/259

(Continued)

*Primary Examiner* — Keli L Hill

(74) *Attorney, Agent, or Firm* — Taro Yaguchi

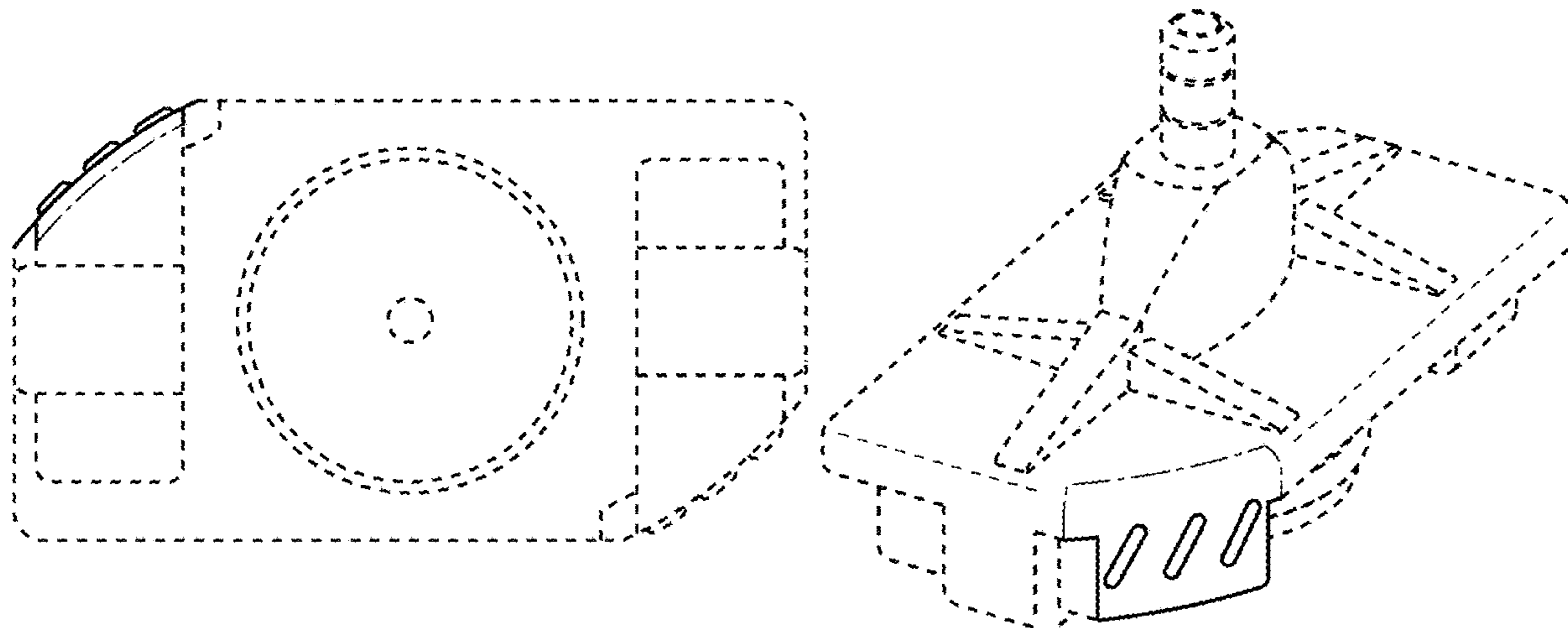
(57) **CLAIM**

The ornamental design for adapter for precision fluid dispenser tube, as shown and described.

**DESCRIPTION**

FIG. 1 is a front elevation view of an adapter for precision fluid dispenser tube, showing my new design; FIG. 2 is a rear elevation view thereof; FIG. 3 is a right side elevation view thereof; FIG. 4 is a left side elevation view being thereof; FIG. 5 is a top plan view thereof; FIG. 6 is a bottom plan view thereof; FIG. 7 is a cross-sectional view thereof, taken in the direction of line 7-7 as seen in FIG. 1; FIG. 8 is a perspective view thereof; and, FIG. 9 is an alternate front view thereof, shown in use. The dot-dash broken line represents the bounds of the claimed design; The broken line showing of the tube in FIG. 9 is included for the purpose of illustrating environment of the article, while all other broken lines are included for the purpose of illustrating portions of the adapter for precision fluid dispenser tube; the broken lines form no part of the claimed design.

**1 Claim, 9 Drawing Sheets**



(56)

**References Cited**

U.S. PATENT DOCUMENTS

D625,395 S ‡ 10/2010 Guzzoni ..... D23/262  
D662,572 S ‡ 6/2012 Marquis-Martin ..... D23/259  
D762,826 S ‡ 8/2016 Plackner ..... H01R 13/5213  
D23/262  
D798,639 S ‡ 10/2017 Halvorson, Jr. .... D6/705.1  
D831,237 S ‡ 10/2018 Johnson ..... D26/1  
D836,755 S \* 12/2018 Dale ..... D23/259  
D845,387 S ‡ 4/2019 Mills ..... D19/9  
D873,388 S \* 1/2020 Ikushima ..... D23/262  
D881,005 S \* 4/2020 Ikushima ..... D9/435

\* cited by examiner

‡ imported from a related application

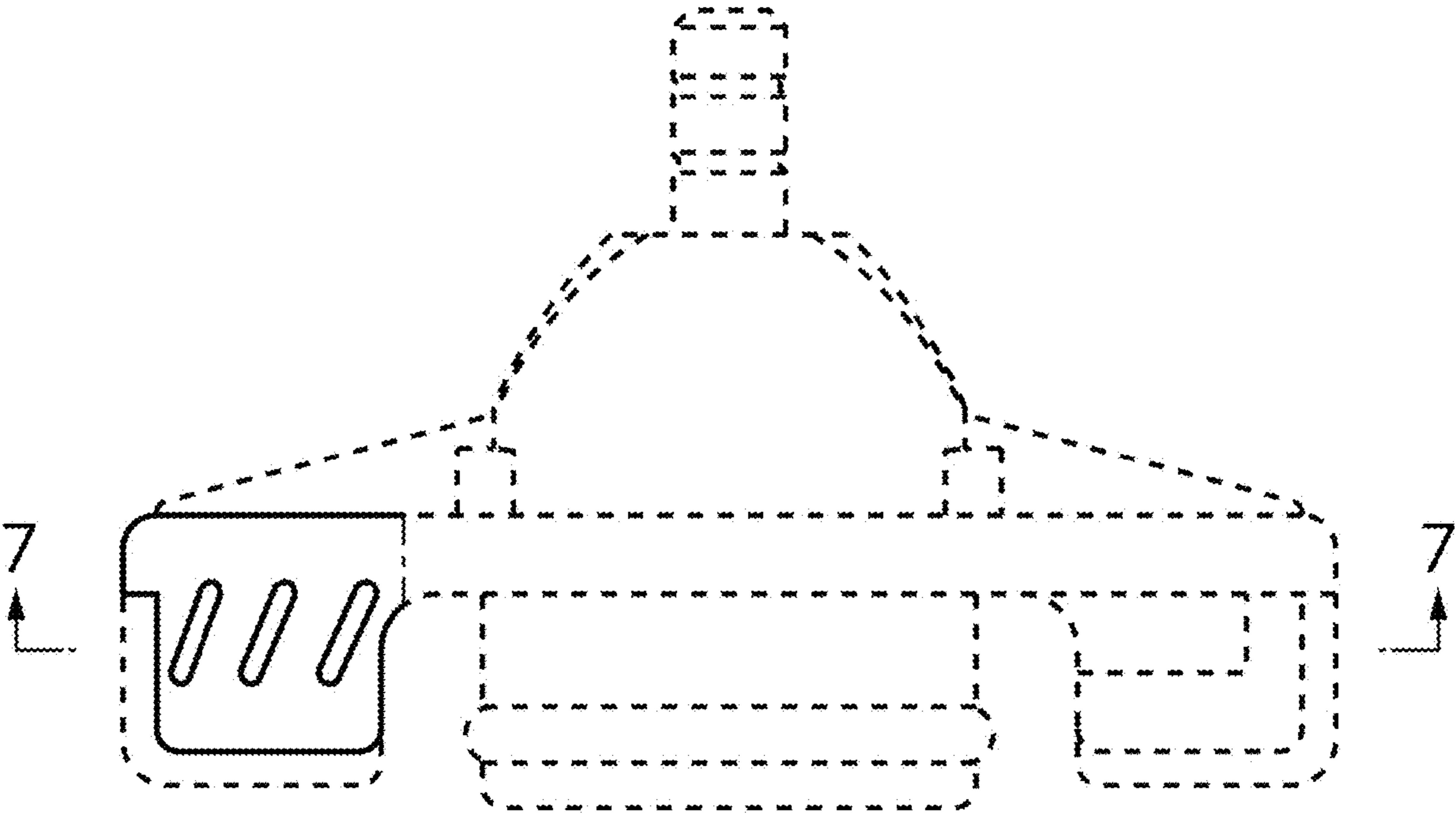


FIG.1

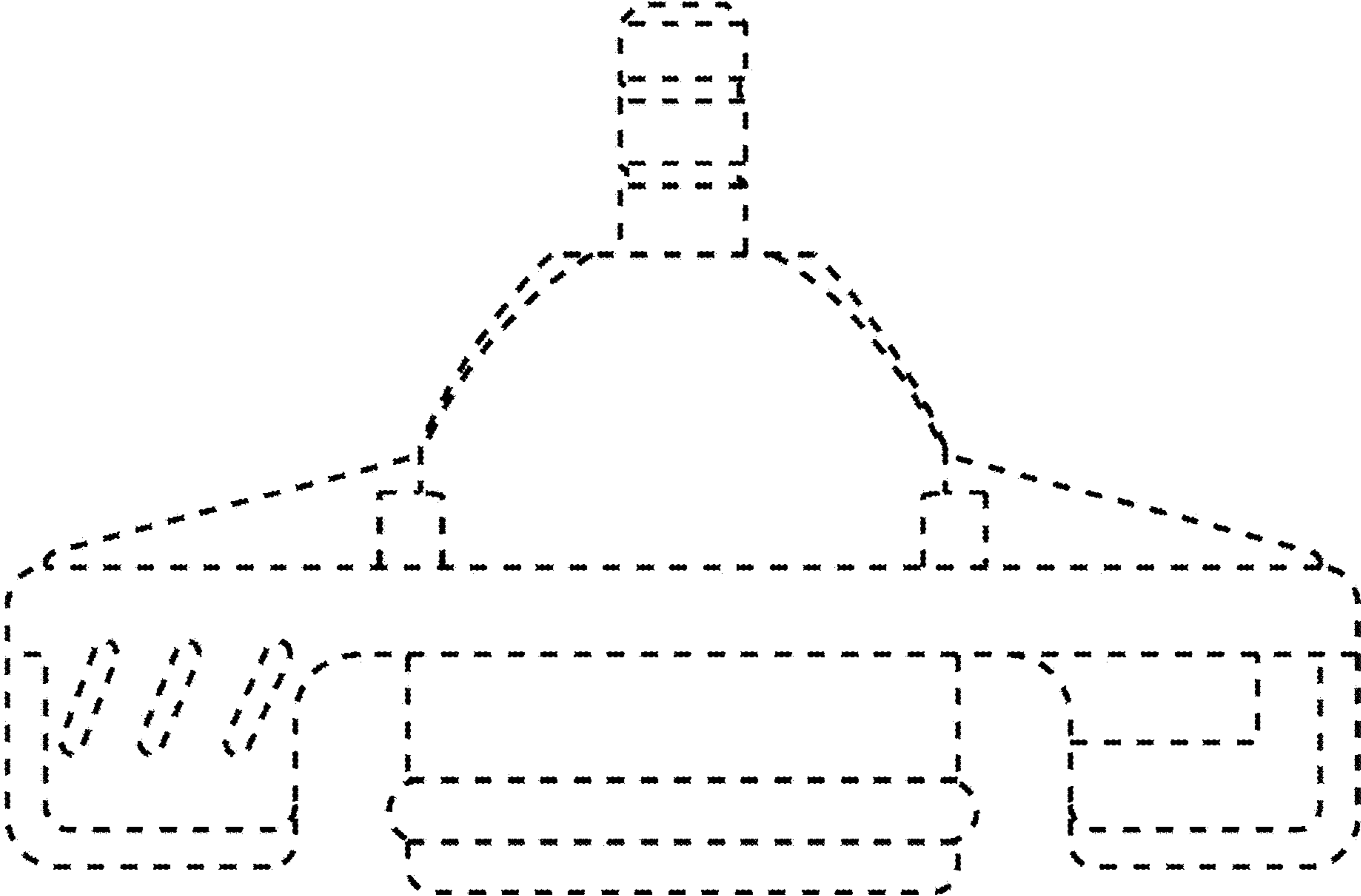


FIG.2

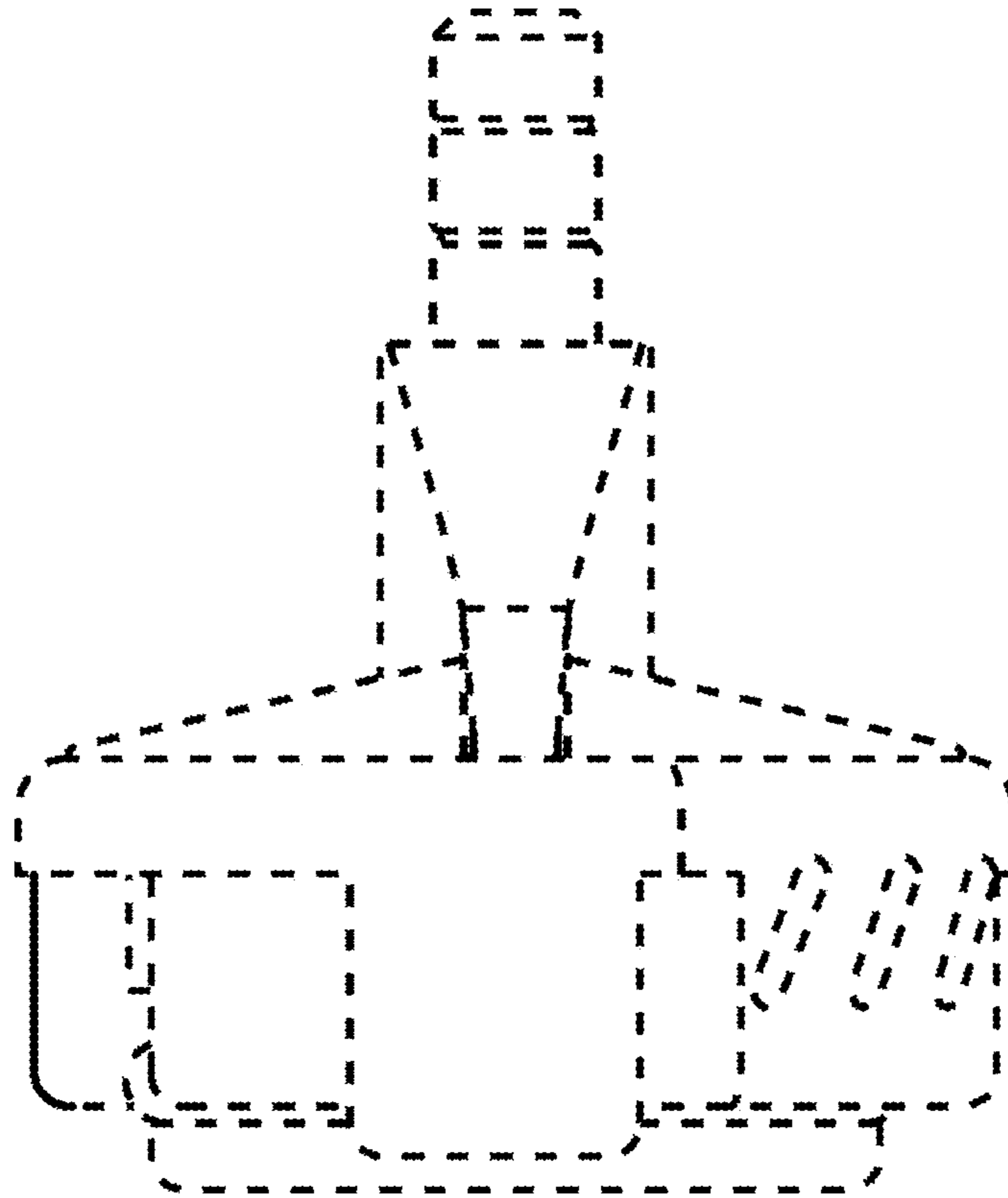


FIG.3

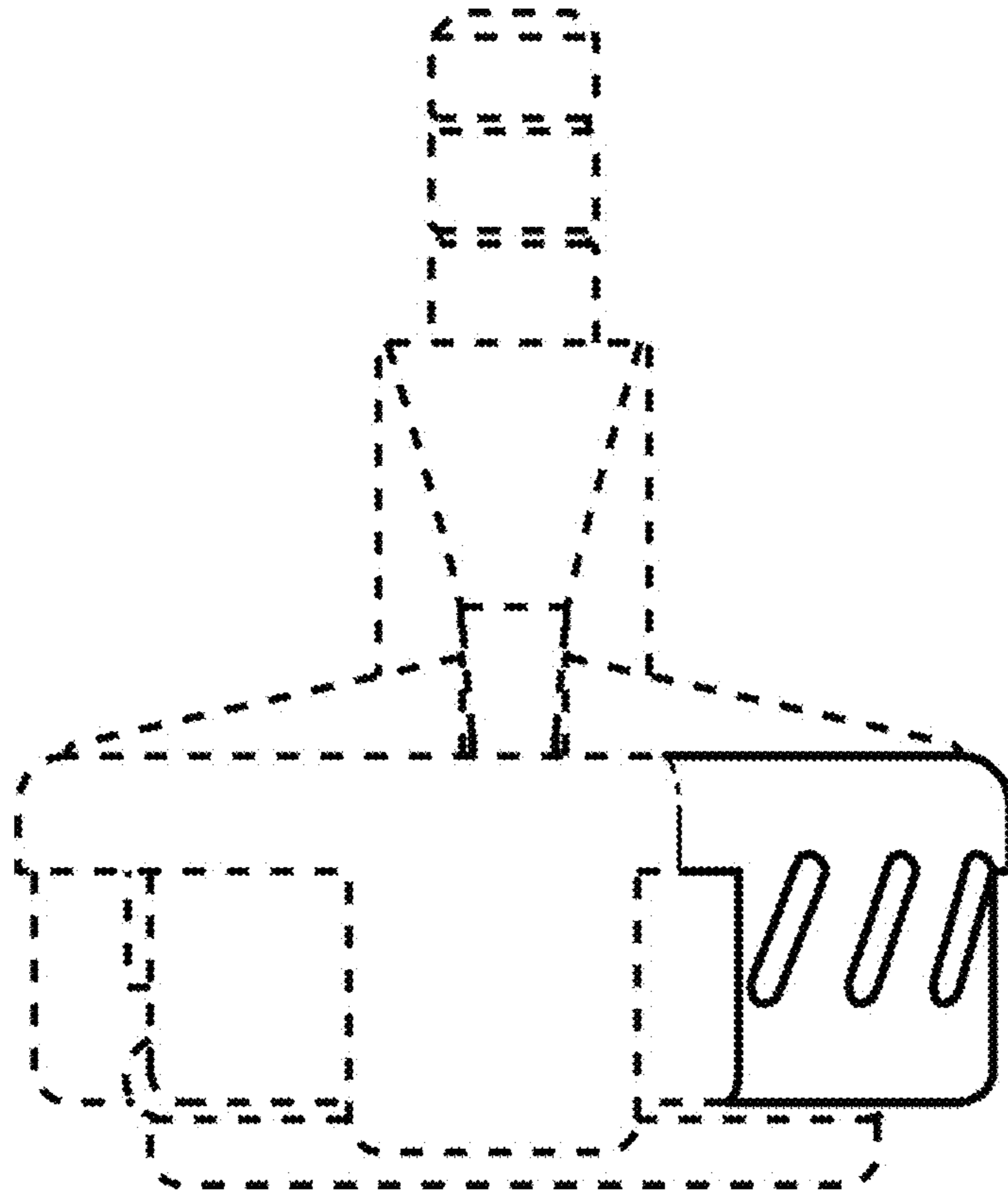


FIG.4

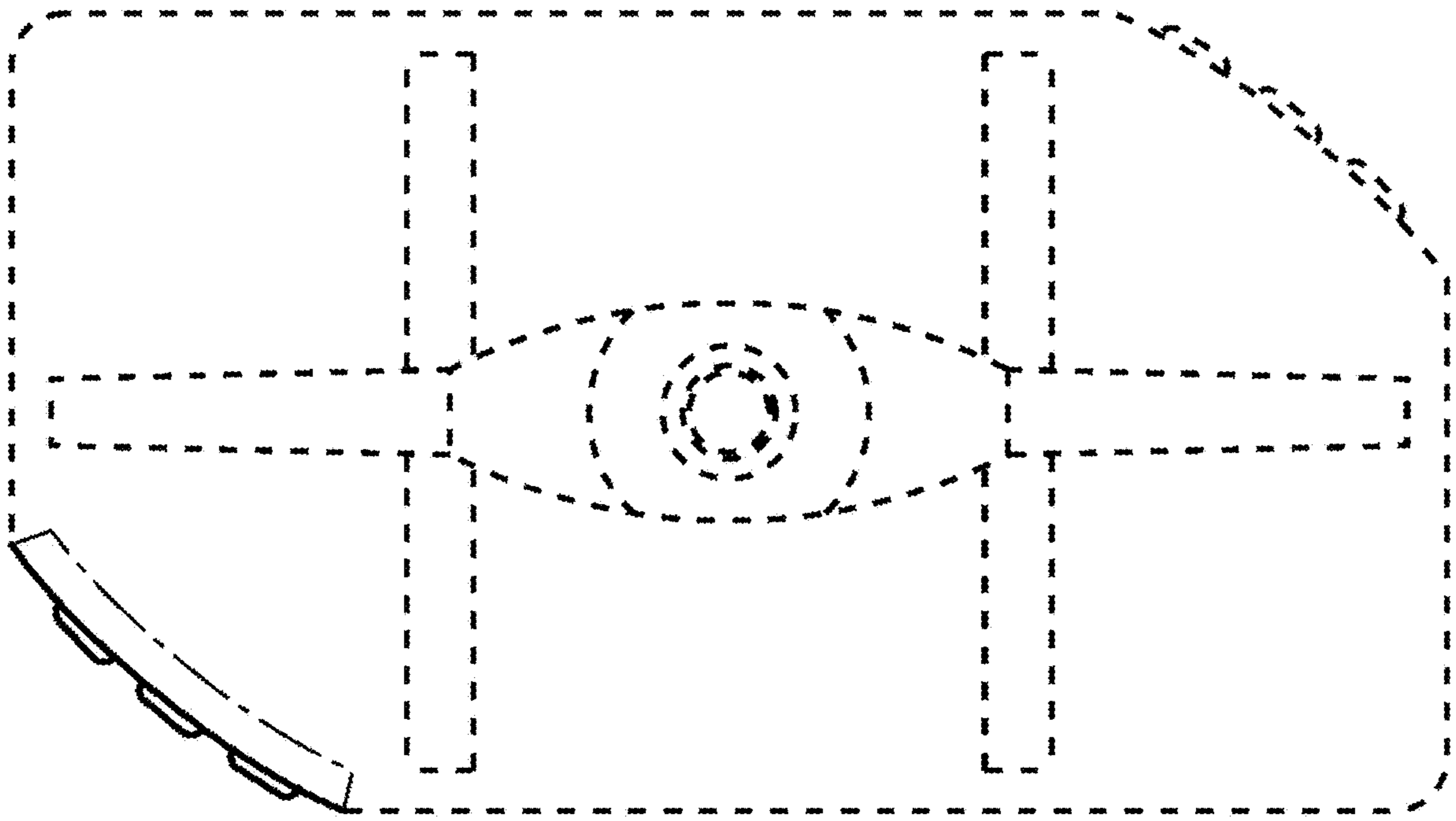


FIG.5

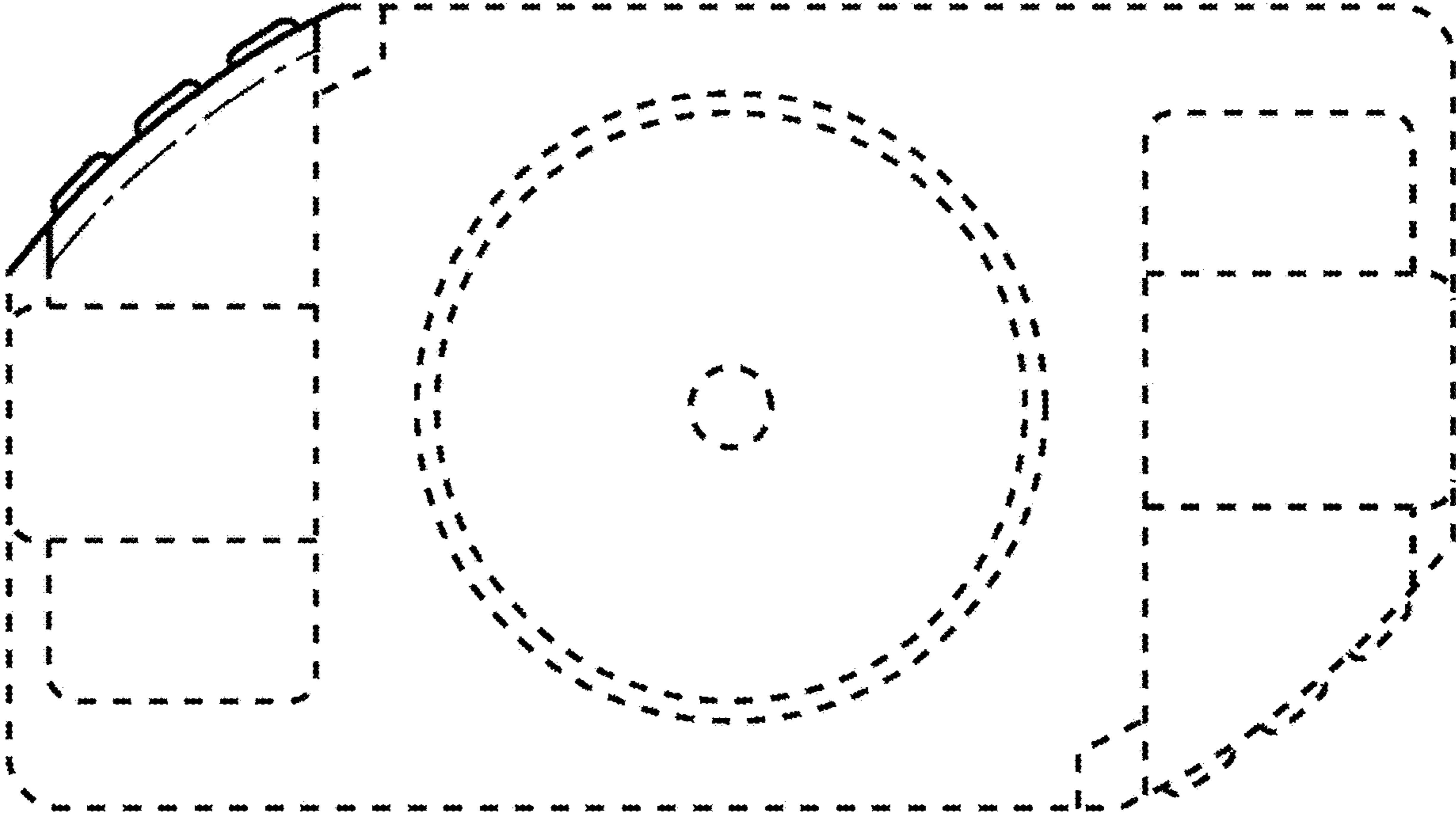


FIG.6



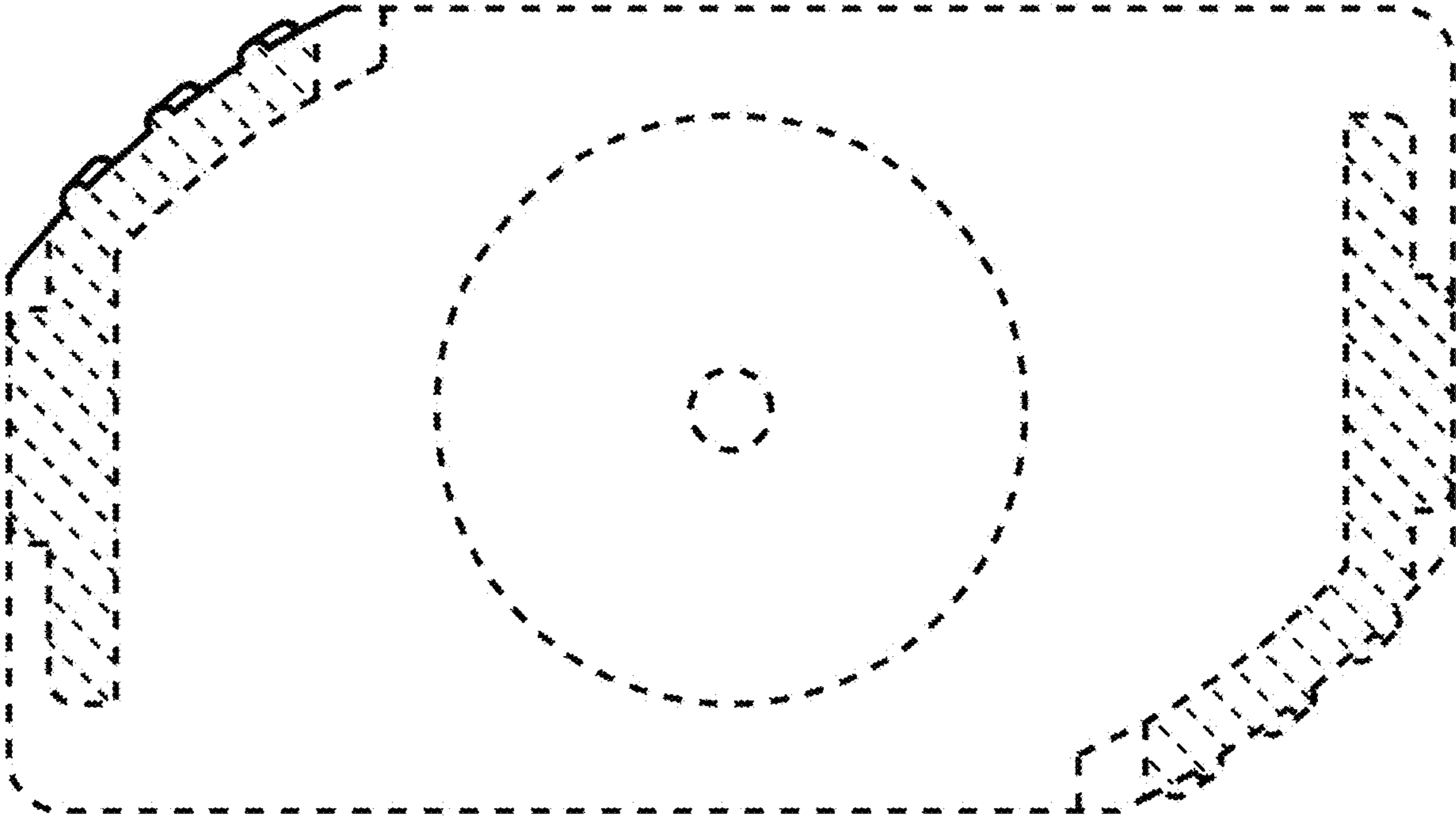


FIG.7

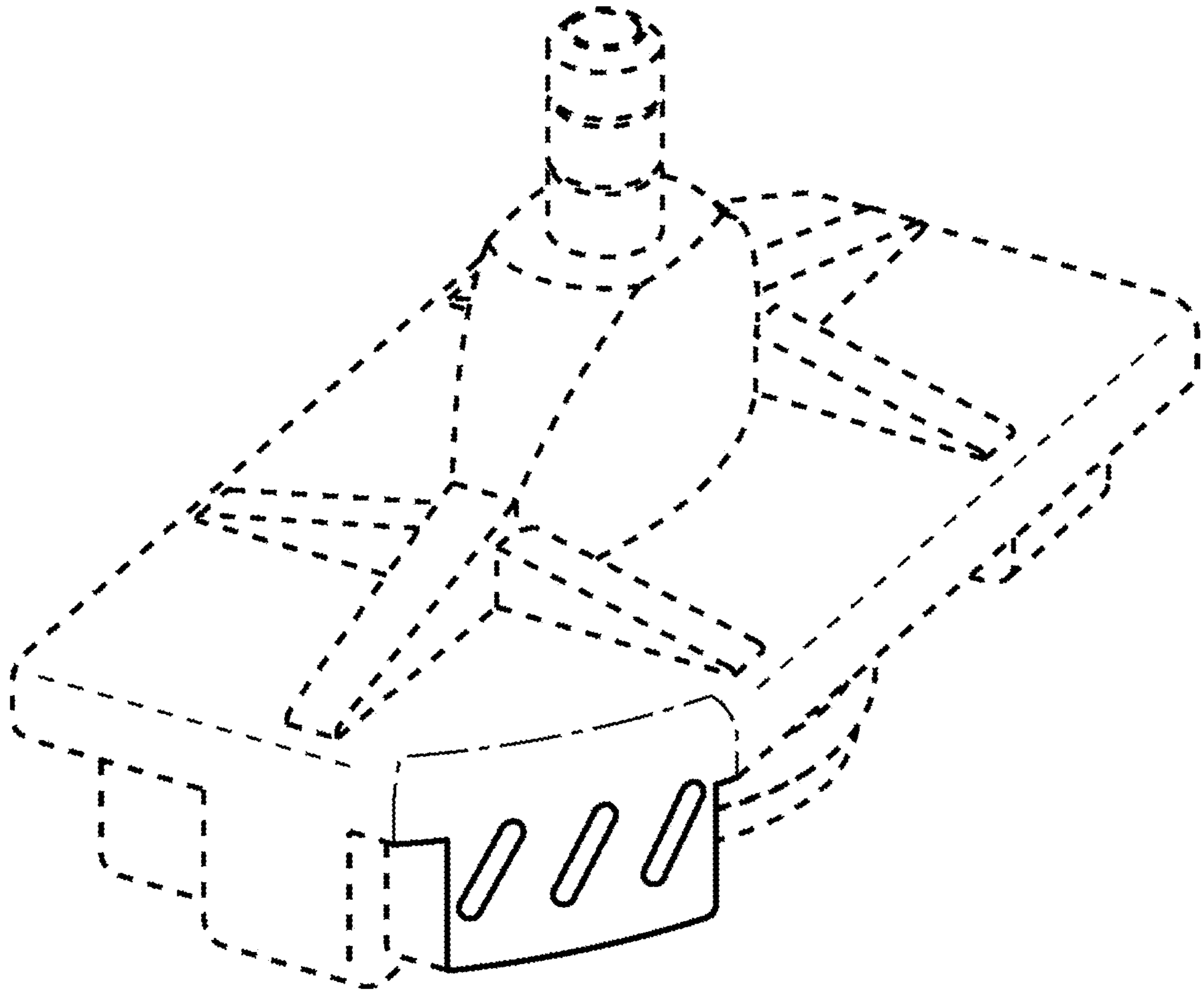


FIG.8

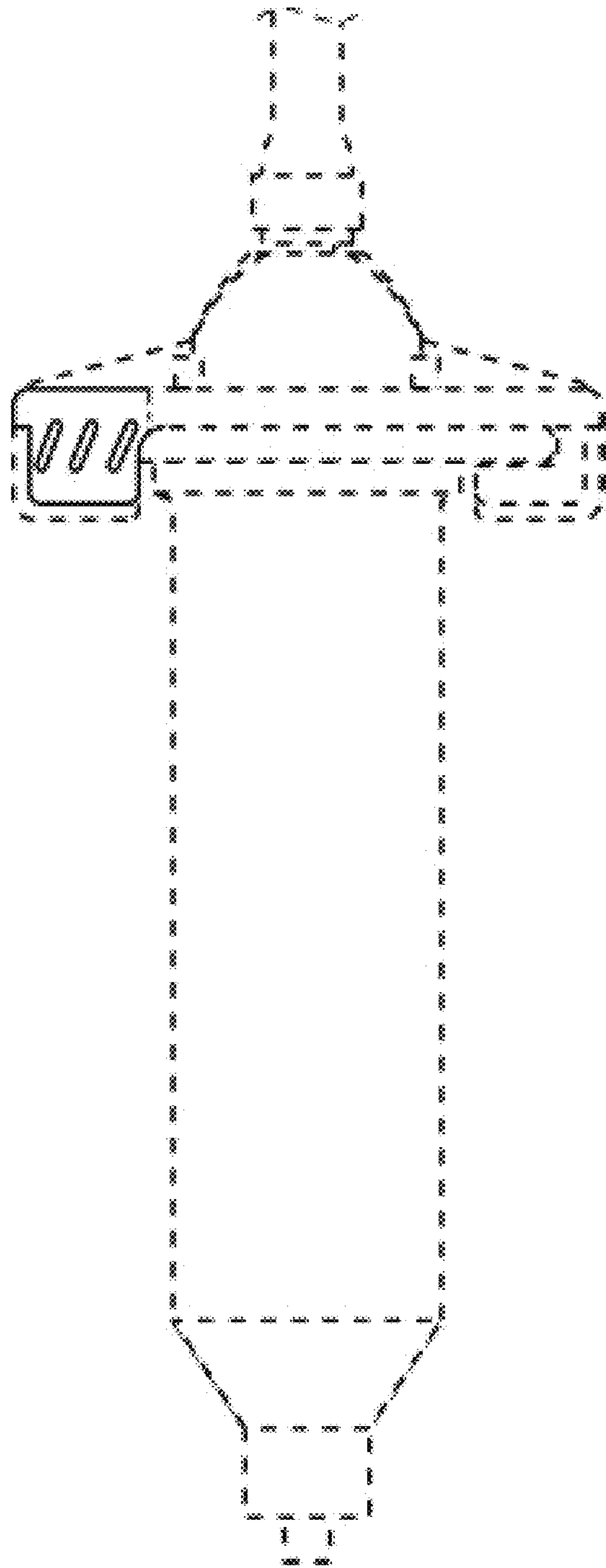


FIG.9