



US00D936186S

(12) **United States Design Patent** (10) **Patent No.:** **US D936,186 S**
Soulier et al. (45) **Date of Patent:** **** Nov. 16, 2021**

(54) **SHOWER HANDLE ASSEMBLY** D739,502 S * 9/2015 Bahler D23/252
D740,397 S * 10/2015 Bahler D23/252
(71) Applicant: **Kohler Co.**, Kohler, WI (US) D741,453 S 10/2015 Bahler
D743,508 S 11/2015 Nikles
(72) Inventors: **Jean-Hugues Soulier**, Paris (IT); D783,131 S 4/2017 Wang
Ferran Serra Sola, Paris (IT); **Chia** D789,493 S 6/2017 Dube
Lee, Chicago, IL (US); **Jimin Niu**, D803,357 S 11/2017 Lucchese
Beijing (CN); **Sophie Su**, Shanghai D837,945 S 1/2019 Soulier et al.
(CN); **Hui Ren**, Beijing (CN) D863,510 S 10/2019 Meyers et al.
D888,894 S 6/2020 Thomas

(73) Assignee: **Kohler Co.**, Kohler, WI (US)
(**) Term: **15 Years**
(21) Appl. No.: **29/757,526**
(22) Filed: **Nov. 6, 2020**

Related U.S. Application Data

(62) Division of application No. 29/637,730, filed on Feb. 21, 2018, now Pat. No. Des. 904,570.
(51) **LOC (13) Cl.** **23-01**
(52) **U.S. Cl.**
USPC **D23/254**
(58) **Field of Classification Search**
USPC D23/250–252, 254; D8/307–308
CPC Y10T 137/9464; Y10T 137/6014; Y10T
137/6017
See application file for complete search history.

References Cited

U.S. PATENT DOCUMENTS

D300,942 S * 5/1989 Paul D23/242
D363,765 S 10/1995 Starck
D462,421 S 9/2002 Hundley
D531,277 S 10/2006 Tsai
D542,384 S 5/2007 Starck
D592,284 S 5/2009 Lammel et al.
D627,444 S 11/2010 Yokoyama et al.
D627,861 S 11/2010 Sandee
D700,291 S 2/2014 Schoenherr et al.
D737,938 S * 9/2015 Schoenherr D23/252

OTHER PUBLICATIONS

Non-Final Office Action on U.S. Appl. No. 29/637,730 dated Feb. 12, 2020.

* cited by examiner

Primary Examiner — Robert A Delehanty

(74) *Attorney, Agent, or Firm* — Foley & Lardner LLP

(57) **CLAIM**

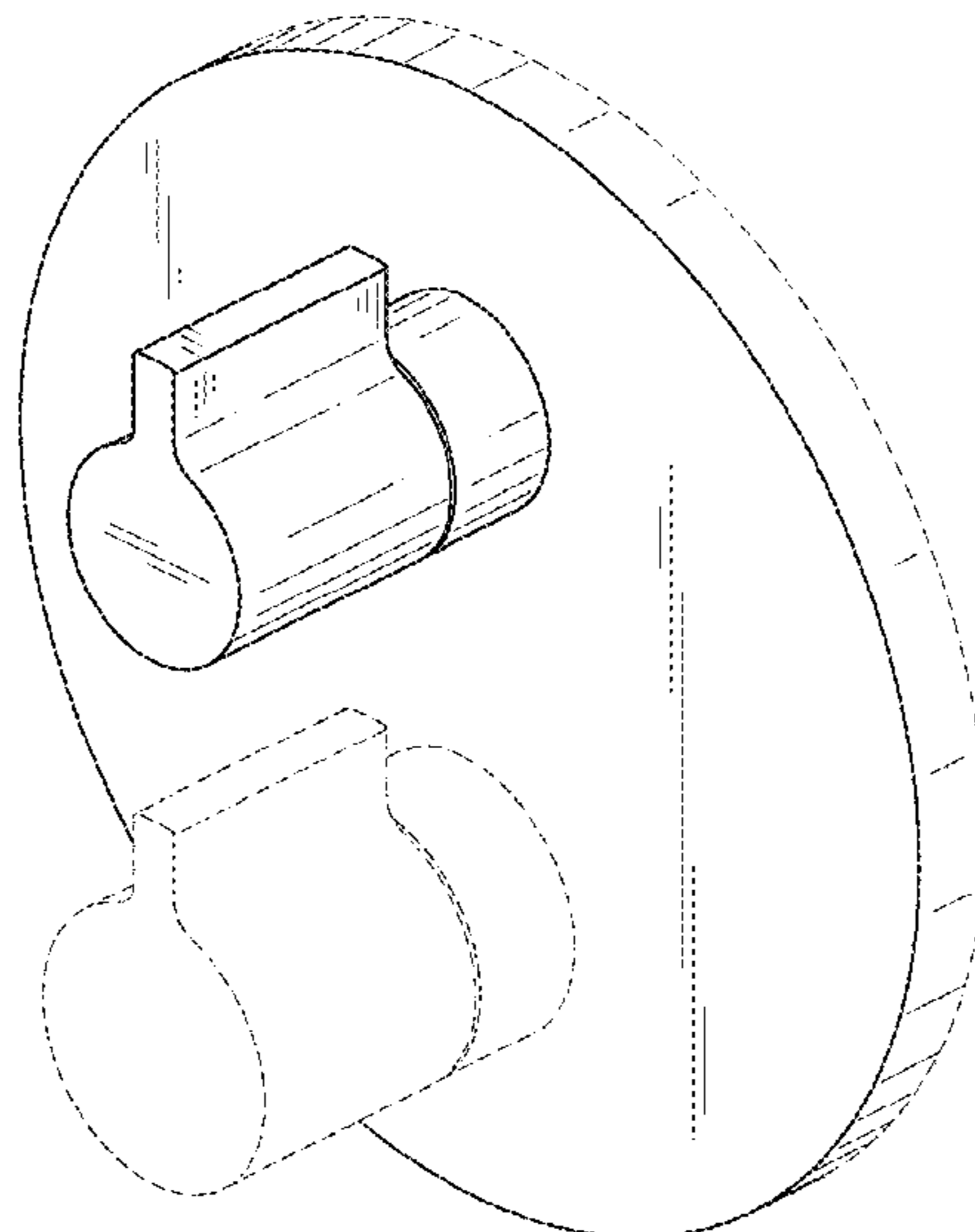
We claim the ornamental design for a shower handle assembly, as shown and described.

DESCRIPTION

FIG. 1 is a perspective view of the embodiment of the claimed design;
FIG. 2 is a front elevation view thereof;
FIG. 3 is a rear elevation view thereof;
FIG. 4 is a view thereof from the first direction;
FIG. 5 is a view thereof from the second direction;
FIG. 6 is a view thereof from the third direction; and,
FIG. 7 is a view thereof from the fourth direction.

The ornamental design which is claimed is shown in solid lines in the drawings. The broken lines in the drawings are for illustrative purposes only and form no part of the claimed design. Broken lines formed by equal length dashes show unclaimed subject matter. Broken lines formed by unequal length dashes (i.e., dash-dot) define bounds of the claimed design.

1 Claim, 5 Drawing Sheets



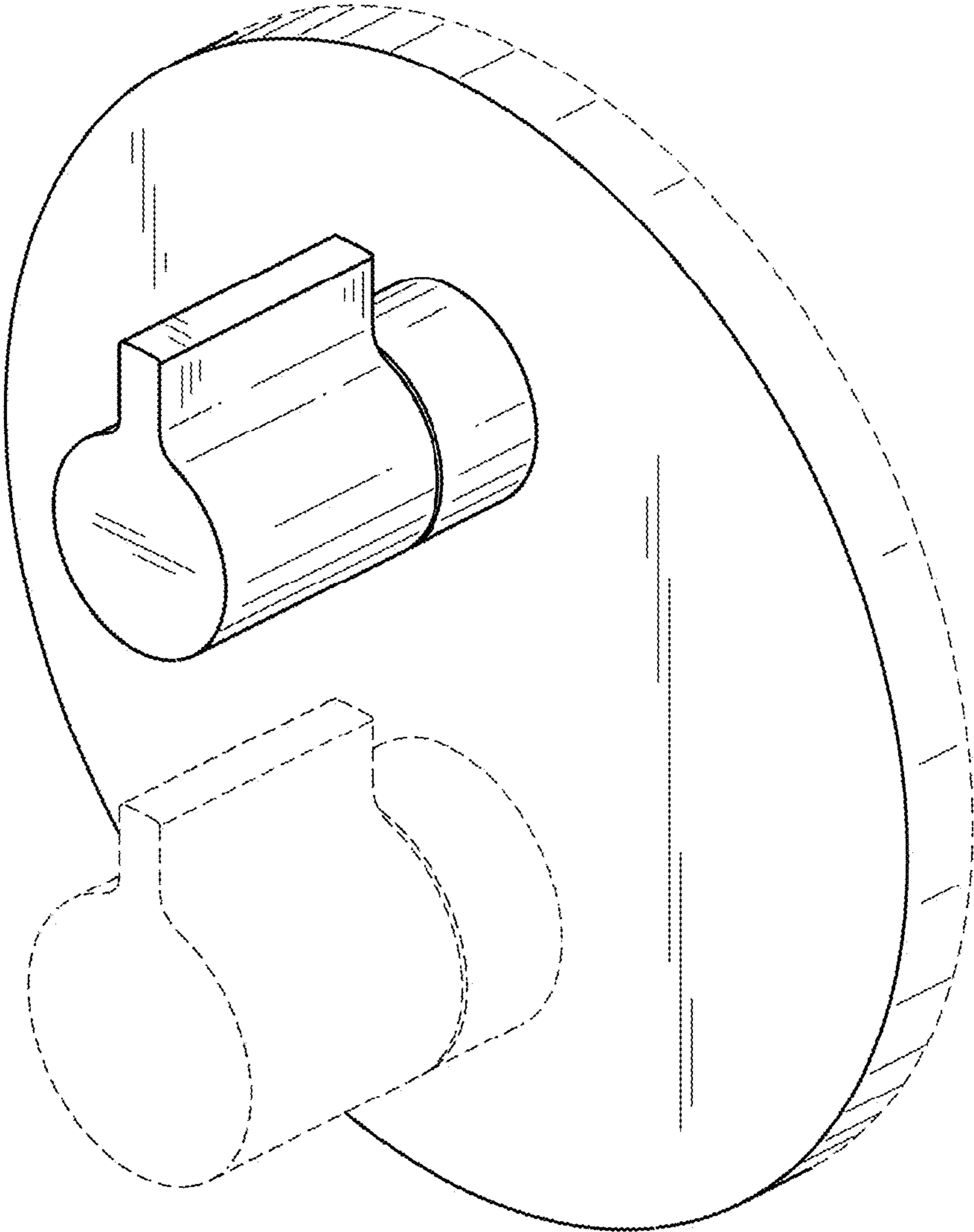


FIG. 1

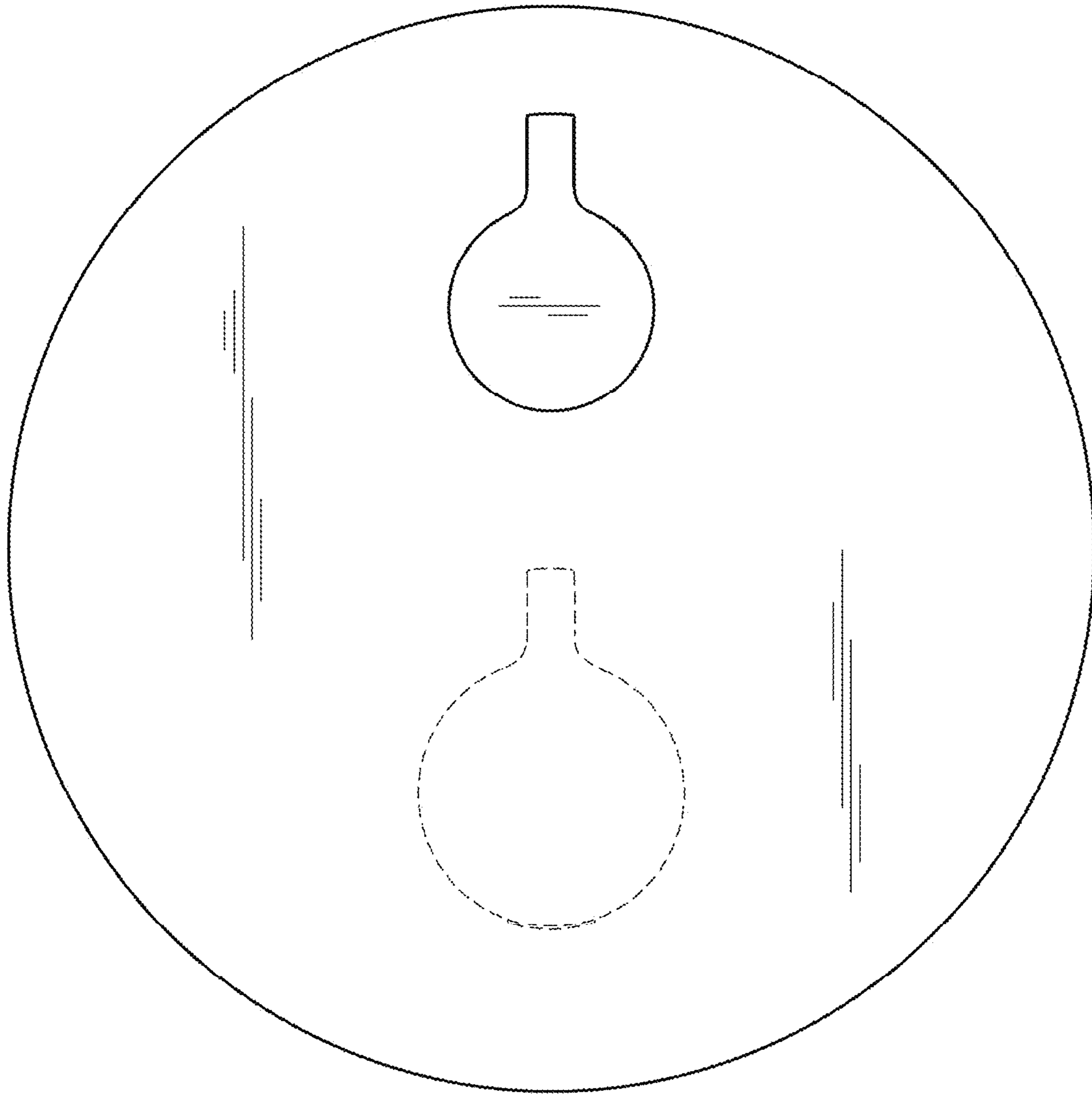


FIG. 2

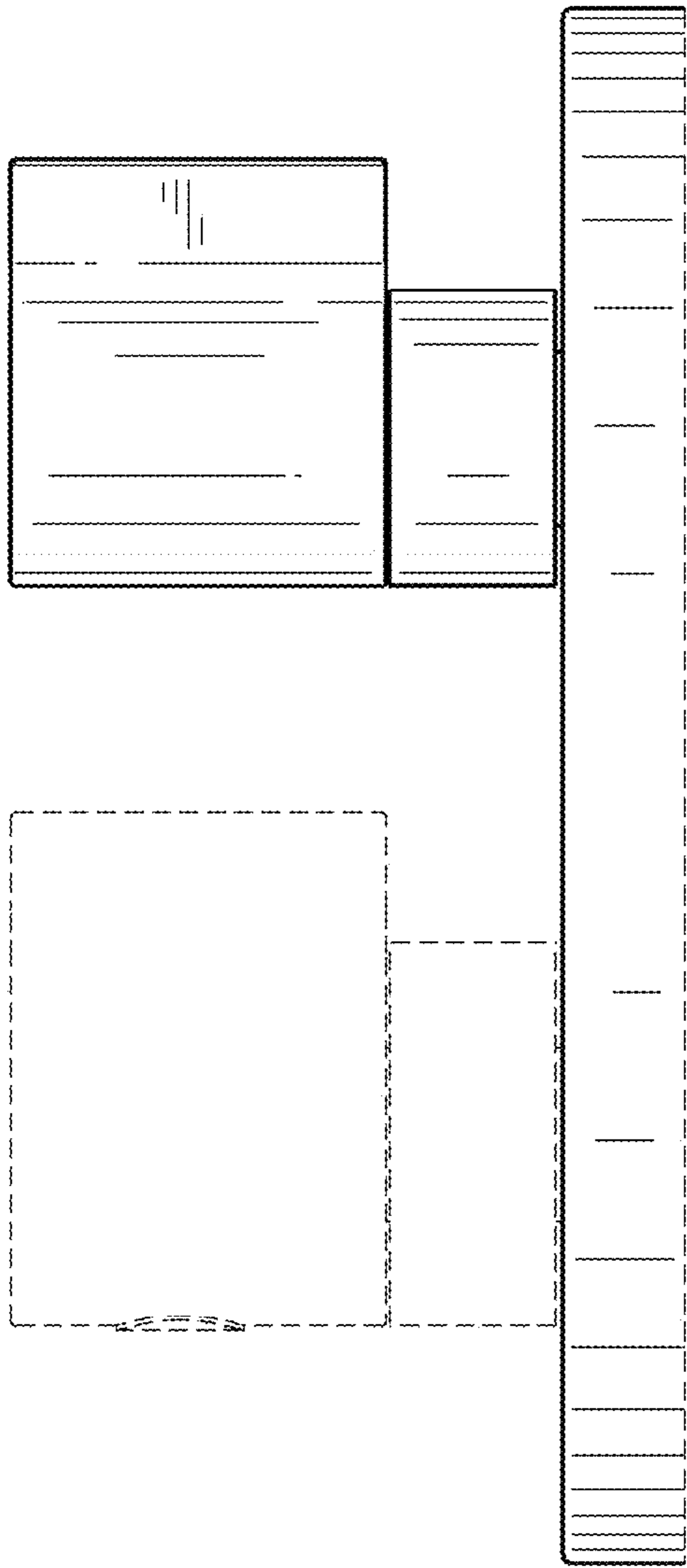


FIG. 3

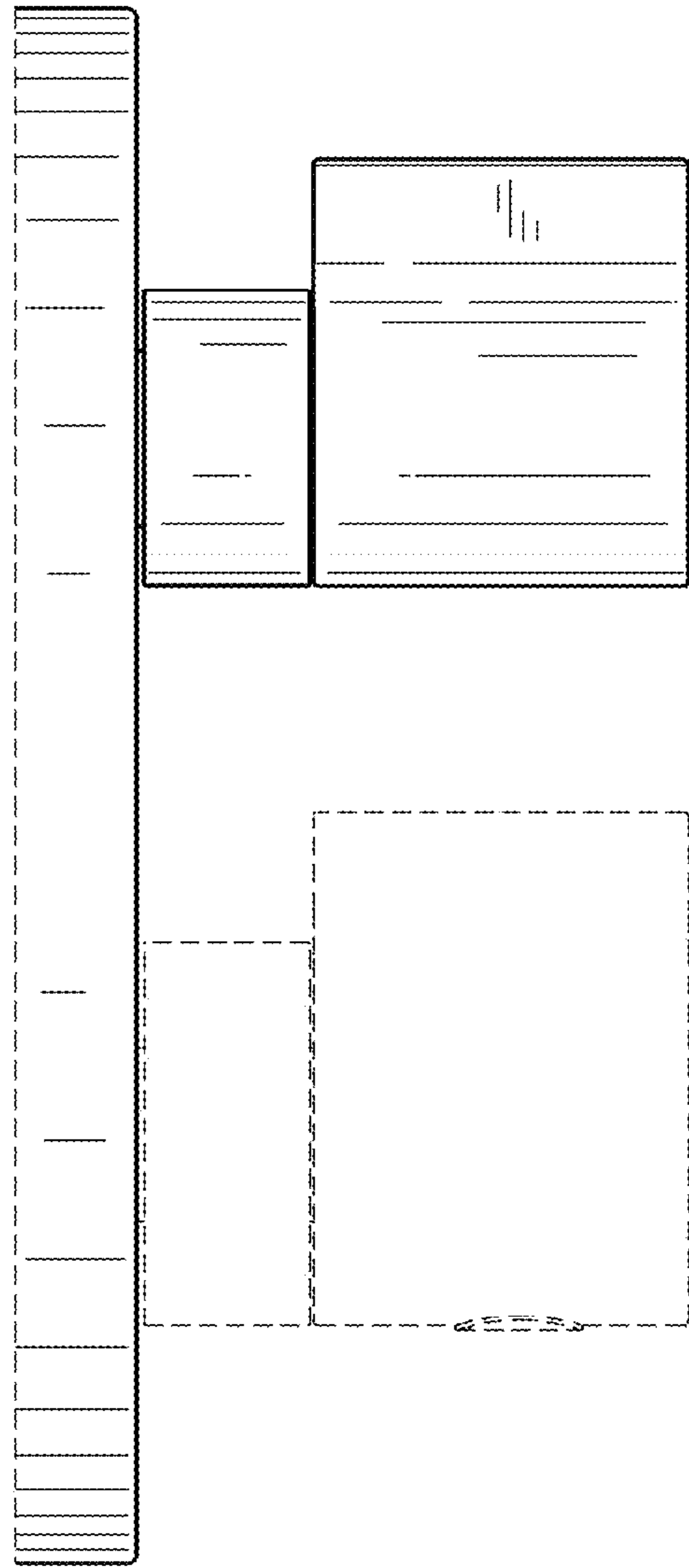


FIG. 4

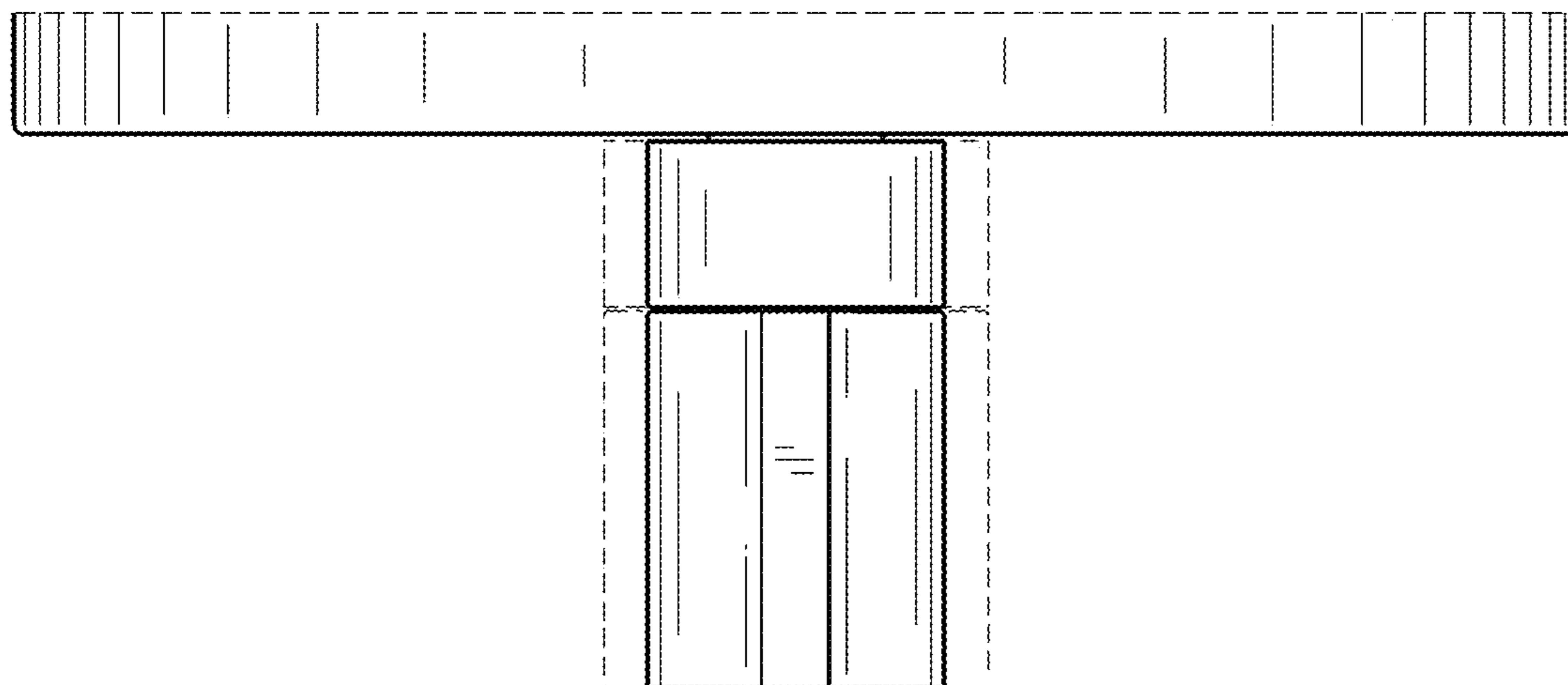


FIG. 5

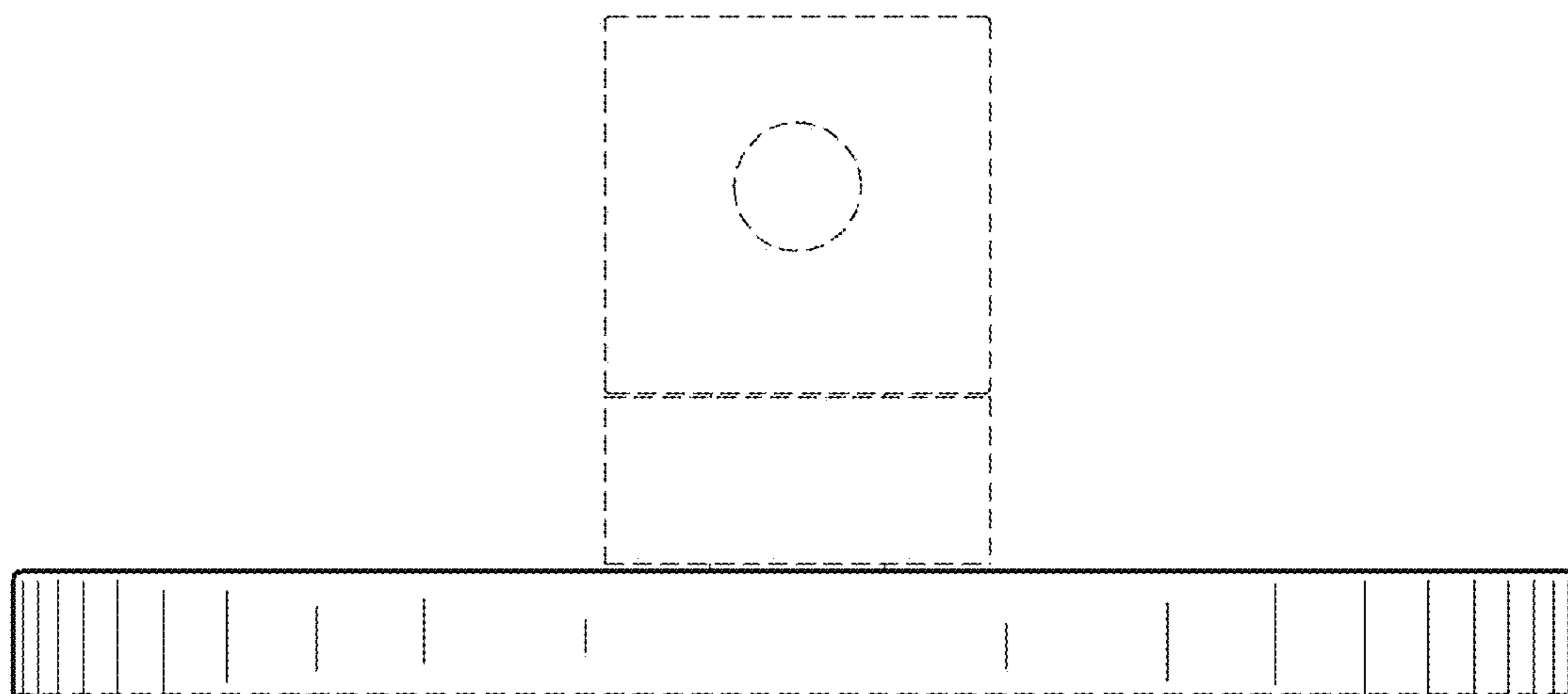


FIG. 6

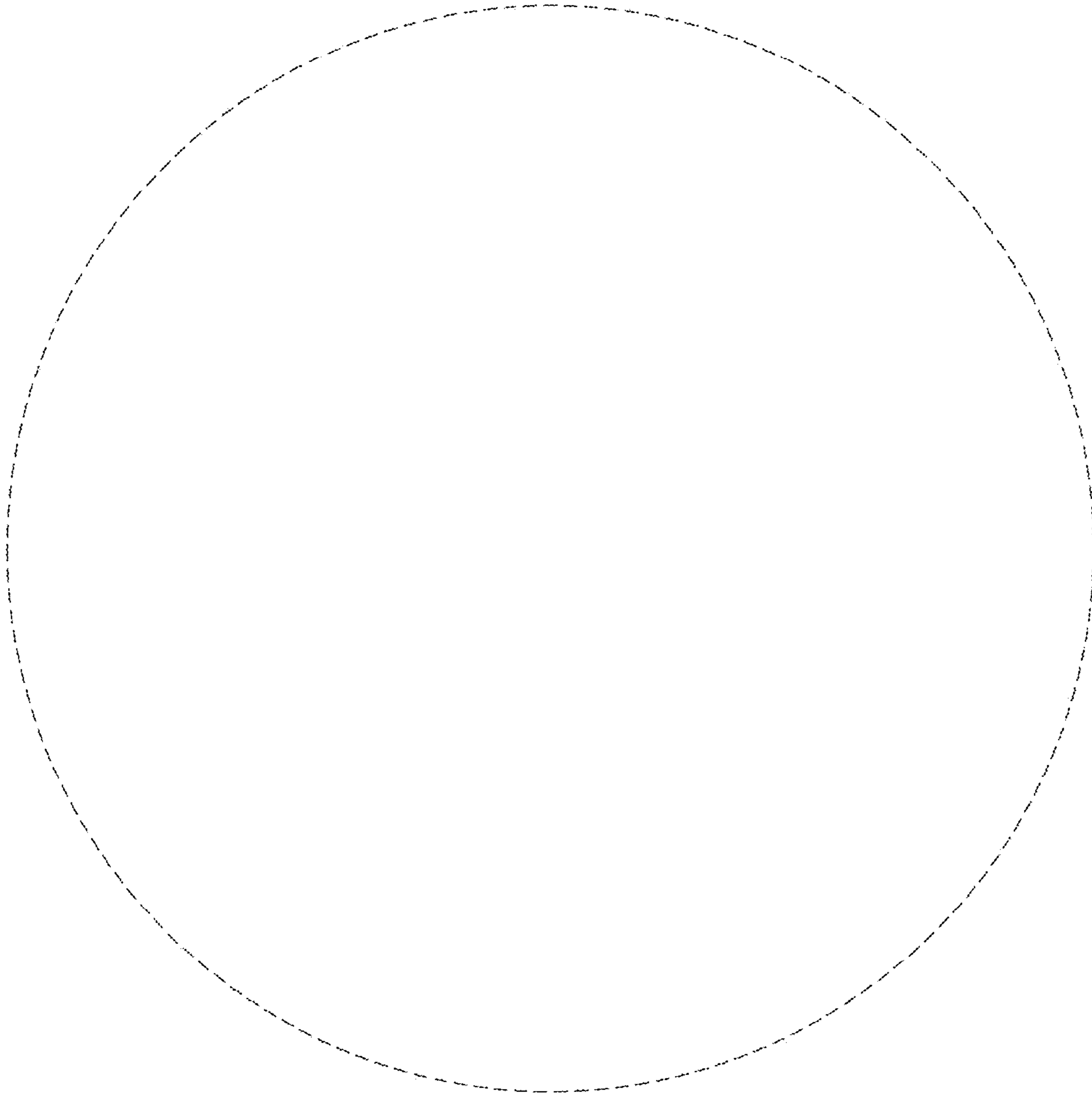


FIG. 7