



US00D936182S

(12) **United States Design Patent** (10) **Patent No.:** **US D936,182 S**
Hoogendoorn et al. (45) **Date of Patent:** **** Nov. 16, 2021**

(54) **WALL MIXER**
(71) Applicant: **Phoenix Industries Pty Ltd**, Bayswater (AU)
(72) Inventors: **John Henri Hoogendoorn**, Bayswater (AU); **Andrew Cocks**, Bayswater (AU); **Ban Hsi Liu**, Bayswater (AU)

D532,866 S 11/2006 Kirar
D533,924 S 12/2006 Kirar
D548,308 S 8/2007 Hoernig
D557,384 S * 12/2007 Garner D23/255
D575,848 S 8/2008 Kirar
D577,418 S 9/2008 Lammel
D580,525 S 11/2008 Citterio
(Continued)

(73) Assignee: **Phoenix Industries Pty Ltd**, Bayswater (AU)
(**) Term: **15 Years**

FOREIGN PATENT DOCUMENTS

AU 308198 7/2006
AU 308199 7/2006
(Continued)

(21) Appl. No.: **29/701,637**
(22) Filed: **Aug. 13, 2019**
(30) **Foreign Application Priority Data**

OTHER PUBLICATIONS

TOI Basin Mixer, Phoenix Tapware, Showers & Accessories, <http://www.phoenixtapware.com.au/products/toi-basin-mixer>, known at least as early as Oct. 25, 2016, 3 pgs.
(Continued)

Feb. 14, 2019 (AU) 201910790
(51) **LOC (13) Cl.** **23-01**
(52) **U.S. Cl.**
USPC **D23/238**
(58) **Field of Classification Search**
USPC D23/238-243, 250, 252, 254, 213,
D23/245-246, 255, 257; D8/300
See application file for complete search history.

Primary Examiner — Robert A Delehanty
(74) *Attorney, Agent, or Firm* — Womble Bond Dickinson (US) LLP

(56) **References Cited**

(57) **CLAIM**

The ornamental design for a wall mixer, as shown and described.

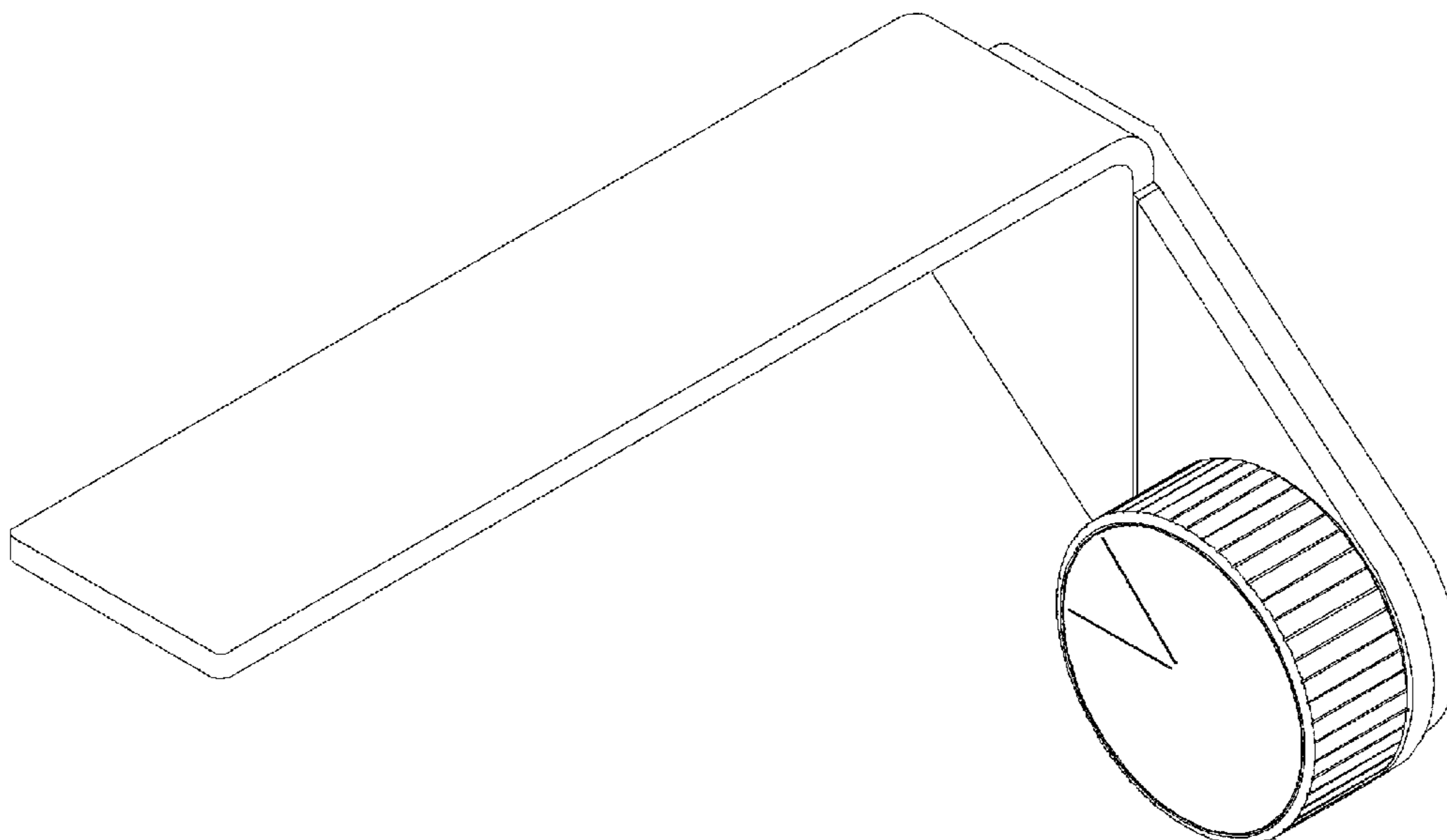
U.S. PATENT DOCUMENTS

DESCRIPTION

D441,851 S 5/2001 Starck
D466,979 S 12/2002 Schulz
D481,445 S 10/2003 Haug
D492,011 S 6/2004 Blattner
D517,169 S 3/2006 Ogata
D519,617 S 4/2006 Hoernig
D525,342 S 7/2006 Starck
D525,346 S 7/2006 Kulig
D527,807 S 9/2006 Haug
D529,995 S 10/2006 Smith

FIG. 1 is an isometric view of a wall mixer according to our new design;
FIG. 2 is a front view thereof;
FIG. 3 is a top view thereof;
FIG. 4 is a bottom view thereof;
FIG. 5 is a first side view thereof; and,
FIG. 6 is a second side view thereof.
The views not shown form no part of the claimed design.

1 Claim, 4 Drawing Sheets



(56)

References Cited

U.S. PATENT DOCUMENTS

D582,009 S 12/2008 Citterio
 D596,711 S 7/2009 Sieger
 D601,229 S 9/2009 Schoenherr et al.
 D607,542 S 1/2010 Flowers
 D617,425 S 6/2010 Lammel
 D618,765 S 6/2010 Wang
 D635,221 S 3/2011 Rubin
 D636,065 S 4/2011 Schoenherr
 D641,072 S 7/2011 Flowers
 D645,938 S 9/2011 Ando
 D647,176 S 10/2011 Liao
 D647,179 S 10/2011 Flowers
 D647,601 S 10/2011 Liao
 D648,422 S 11/2011 Liao
 D659,167 S 5/2012 Cocks
 D662,181 S 6/2012 Thun
 D665,479 S 8/2012 Cocks
 D685,878 S 7/2013 Fritz
 D689,170 S 9/2013 Sieger
 D689,987 S 9/2013 Kington
 D693,904 S 11/2013 Hahn
 D697,588 S 1/2014 Schoenherr
 D704,304 S 5/2014 Schoenherr
 D705,397 S 5/2014 Gessi
 D708,709 S 7/2014 Yu
 D708,714 S 7/2014 Georgeson
 D713,941 S 9/2014 Hundley
 D737,936 S 9/2015 Pony
 D739,501 S 9/2015 Flowers
 D740,395 S 10/2015 Flowers
 D757,223 S 5/2016 Schoenherr
 D757,225 S 5/2016 Schoenherr
 D757,903 S 5/2016 Schoenherr
 D757,911 S * 5/2016 Flowers D23/255
 D760,360 S 6/2016 Kawakami
 D767,721 S 9/2016 Yoshioka
 D767,733 S 9/2016 Hong
 D767,734 S * 9/2016 Rexach D23/255
 D774,169 S * 12/2016 Kington D23/254
 D782,013 S 3/2017 Eads
 D787,020 S 5/2017 Ziemann
 D787,638 S * 5/2017 Schoenherr D23/250
 D791,919 S 7/2017 Schoenherr
 D796,636 S 9/2017 Downey
 D799,641 S 10/2017 Sieger
 D799,642 S 10/2017 Sieger
 D800,274 S 10/2017 Andrew
 D802,101 S 11/2017 Kirar
 D803,356 S 11/2017 Lucchese
 D809,103 S 1/2018 Schoenherr
 D809,104 S 1/2018 Schoenherr
 D809,107 S 1/2018 Schoenherr
 D810,238 S 2/2018 Schoenherr
 D810,244 S 2/2018 Schoenherr et al.
 D810,890 S 2/2018 Takayama
 D811,528 S 2/2018 Schoenherr
 D811,531 S 2/2018 Schoenherr
 D813,986 S 3/2018 Schoenherr
 D813,988 S 3/2018 Schoenherr
 D817,452 S 5/2018 Ravassa
 D819,181 S 5/2018 Citterio
 D822,798 S 7/2018 Sieger
 D828,511 S 9/2018 Liu et al.
 D828,512 S 9/2018 Liu et al.
 D828,515 S 9/2018 Seum
 D828,516 S 9/2018 Liu et al.
 D828,909 S 9/2018 Liu et al.
 D830,515 S 10/2018 L'Henaff
 D831,164 S 10/2018 Garuti
 D834,683 S 11/2018 Schoenherr
 D837,941 S 1/2019 L'Henaff
 D838,346 S 1/2019 Soulier
 D839,997 S 2/2019 Cummings
 D846,077 S 4/2019 Liu
 D846,079 S 4/2019 Garland

D846,698 S 4/2019 L'Henaff
 D846,699 S 4/2019 L'Henaff
 D846,700 S 4/2019 L'Henaff
 D846,701 S 4/2019 Liu
 D846,702 S 4/2019 Liu
 D855,762 S 8/2019 Stuart
 D855,769 S 8/2019 Eads
 D856,490 S 8/2019 Seum
 D859,585 S 9/2019 Seum
 D859,588 S 9/2019 Meyers
 D859,593 S 9/2019 Pan
 D859,602 S 9/2019 Bahler
 D860,397 S 9/2019 Diefenbach
 D860,406 S 9/2019 Vish
 D861,831 S 10/2019 Liao
 D865,132 S 10/2019 Hoogendoorn et al.
 D865,133 S 10/2019 Hoogendoorn et al.
 D866,715 S 11/2019 Liu et al.
 D873,963 S 1/2020 Liu
 D883,437 S 5/2020 Massaud
 D883,448 S 5/2020 Massaud
 10,683,646 B2 6/2020 Pei
 D889,608 S * 7/2020 Bucher D23/255
 D898,873 S * 10/2020 Massaud D23/254
 2013/0167953 A1 7/2013 Kuroishi
 2016/0024762 A1 1/2016 Hsu
 2016/0265201 A1 9/2016 Hoogendoorn et al.
 2017/0044746 A1 2/2017 Lee
 2017/0107704 A1 4/2017 Wang
 2018/0298595 A1 10/2018 Eads

FOREIGN PATENT DOCUMENTS

AU 308201 7/2006
 AU 308202 7/2006
 AU 314560 6/2007
 AU 314563 6/2007
 AU 321286 10/2008
 AU 328364 11/2009
 AU 328365 11/2009
 AU 334096 12/2010
 AU 336356 5/2011
 AU 336357 5/2011
 AU 337781 7/2011
 AU 337782 7/2011
 AU 344493 9/2012
 AU 344494 9/2012
 AU 350490 8/2013
 AU 355991 6/2014
 AU 355992 6/2014
 AU 355993 6/2014
 AU 355994 6/2014
 AU 357542 9/2014
 AU 357840 9/2014
 AU 357842 9/2014
 AU 357843 9/2014
 AU 305204509 7/2018
 CN 303170196 10/2014
 CN 303618410 9/2015
 CN 303648976 9/2015
 CN 304019300 3/2016
 EM 000763834-0003 7/2007
 EM 001284699-0075 7/2011
 EM 001284699-0084 7/2011
 EM 001949736-0010 11/2011
 EM 002260737-0006 6/2013
 IN 230722-0001 2/2010
 IN 242889-001 2/2012
 TR 652724-0001 7/2013

OTHER PUBLICATIONS

TOI Wall Basin/Bath Mixer Set, <http://www.phoenixtapware.com.au/toi-wall-basin-mixer-set180mm>, known at least as early as Oct. 25, 2016, 3 pgs.
 TOI Sink Mixer Squareline, Phoenix Tapware, Showers & Accessories, <http://www.phoenixtapware.com.au/toi-sink-mixer-180mm-squareline>, known at least as early as Oct. 25, 2016, 3 pgs.

(56)

References Cited

OTHER PUBLICATIONS

amazon.com; Single Hole Bathroom Faucet, <https://www.amazon.com/Faucet-Single-Handle-Bathroom-Assembly-567LF-PP/dp/B00P8A6AME>, Nov. 4, 2014.

amazon.com; Bathroom Sink Faucet, <https://www.amazon.com/EZANDA-Single-Bathroom-Escutcheon-Stopper/dp/B07FSLSZLT>, Jul. 23, 2018.

amazon.com; Bathroom Sink Faucet, <https://www.amazon.com/Moen-6702-High-Arc-Single-Handle-Bathroom/dp/B011TB6WL2>, Jul. 21, 2016.

amazon.com; Sink Wall Faucet, <https://www.amazon.com/ZUKKI-Copper-Single-Handle-Bathroom-2314-07A/dp/B07K71TVN4>, Nov. 6, 2018.

amazon.com; Wall mount, <https://www.amazon.com/Bathroom-Faucets-Vessel-Included-SUMERAIN/dp/B07RRSNW71>, May 13, 2019.

amazon.com; Wall Mounted Tub Filler, <http://www.amazon.com/KunMai-Square-Mounted-Filler-Finish/dp/B07BKV32PZ>, Mar. 20, 2018.

amazon.com; Shower arm, <https://www.amazon.com/EMBATEHR-Extension-Universal-Wall-Mounted-Showerhead/dp/B07DYM9FHQ>, Jun. 22, 2018.

amazon.com; Basin Mixer Tap, <https://www.amazon.com/ZUKKI-Copper-Bathroom-Mounted-3015-07A/dp/B07K2WP8Q4>, Nov. 18, 2019.

* cited by examiner

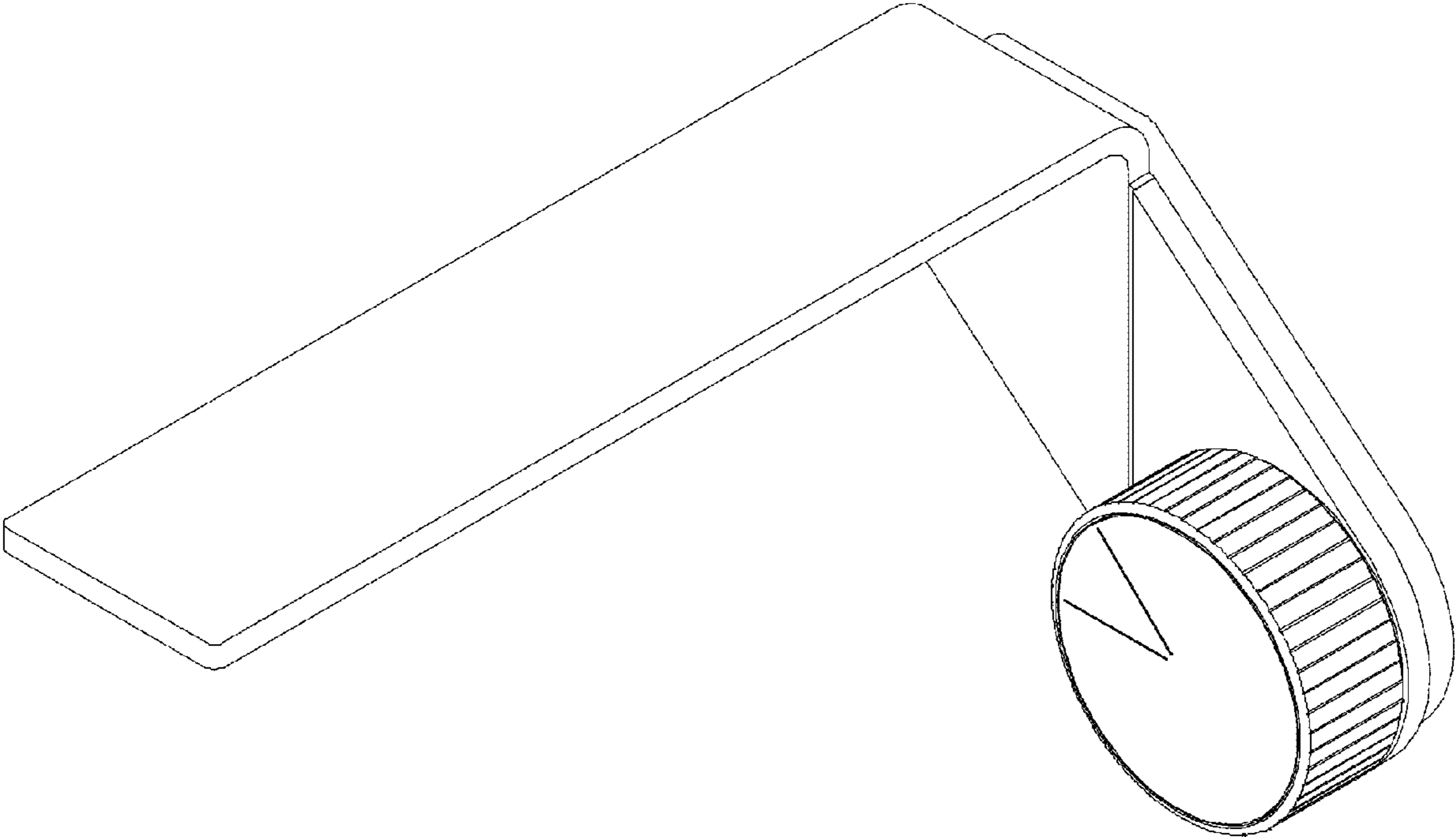


Figure 1

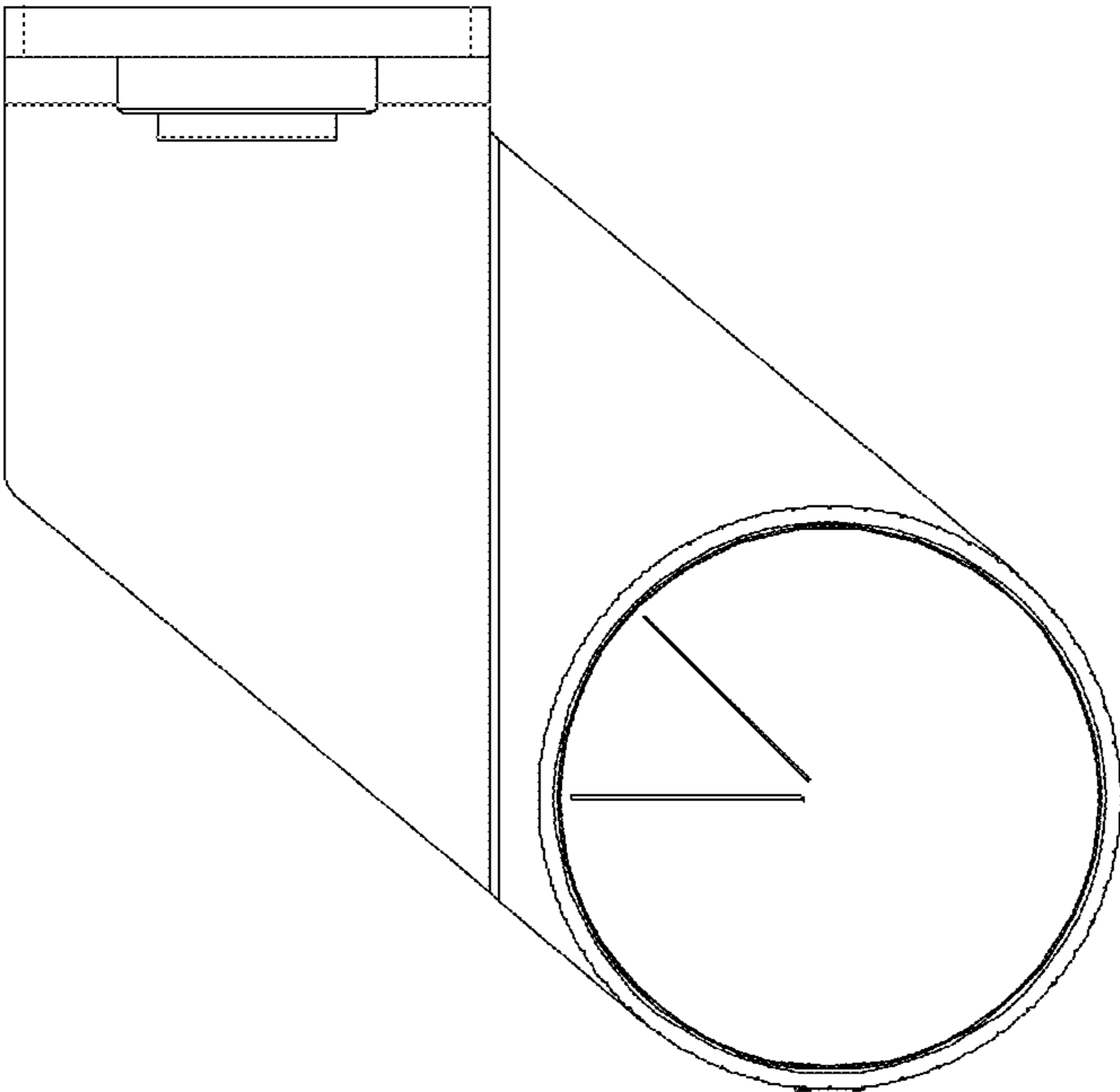


Figure 2

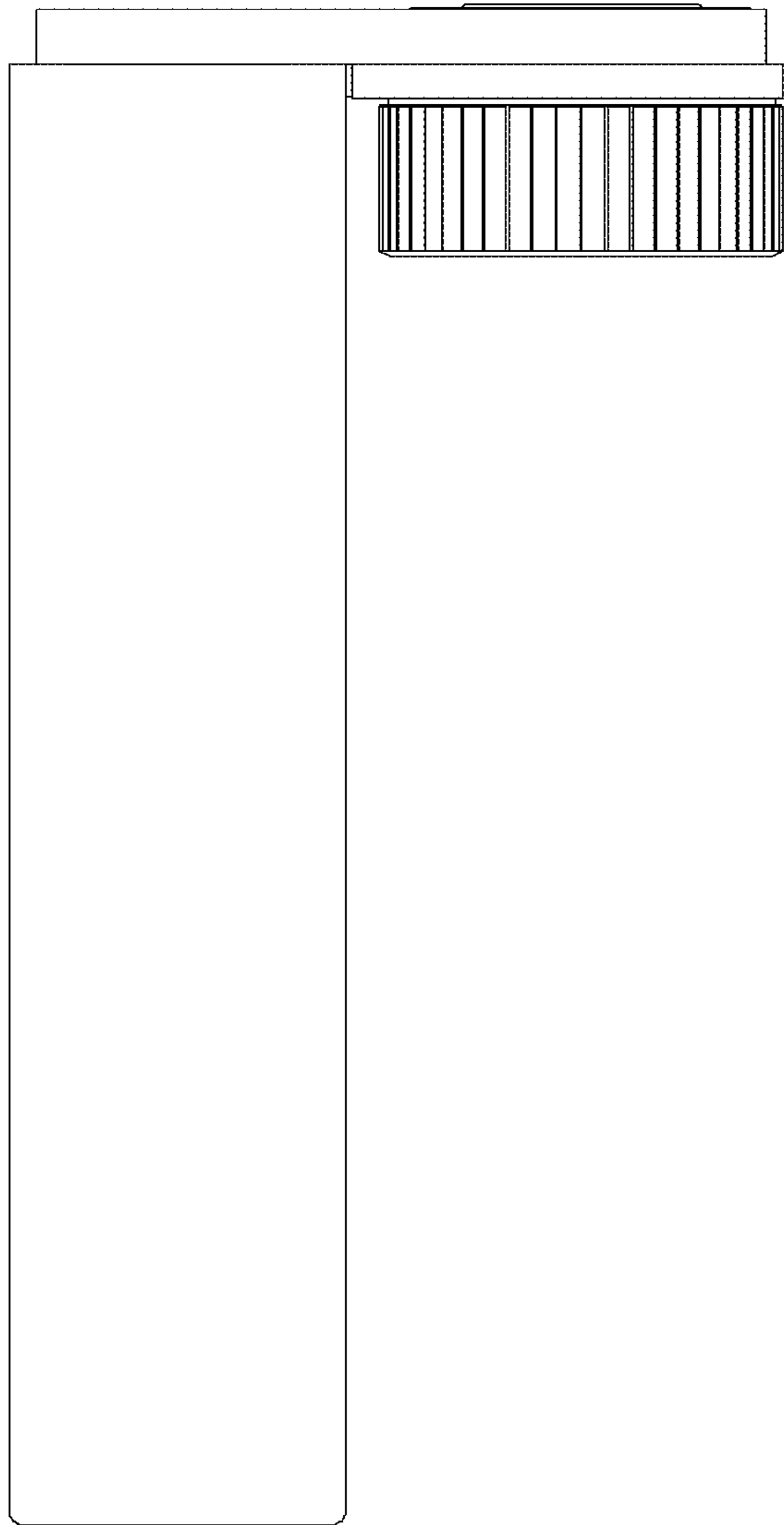


Figure 3

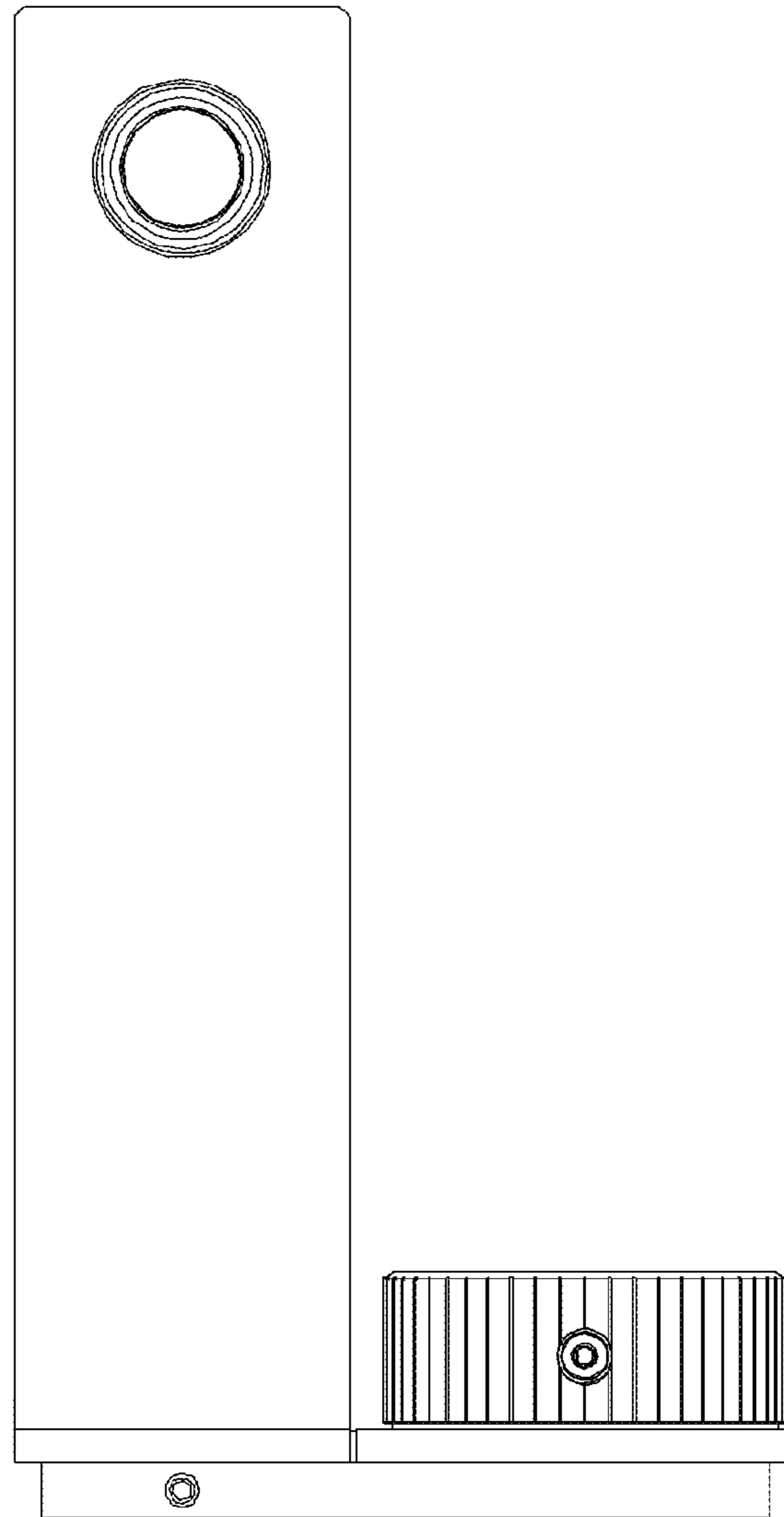


Figure 4



Figure 5



Figure 6