



US00D936180S

(12) **United States Design Patent** (10) **Patent No.:** **US D936,180 S**
Zheng (45) **Date of Patent:** **** Nov. 16, 2021**

(54) **WATER SPRAYING GUN** D919,753 S * 5/2021 Chen B05B 9/01
D23/226
(71) Applicant: **YONGKANG CHUNKAI IMPORT** D921,837 S * 6/2021 Chen D23/226
& **EXPORT CO., LTD**, Jinhua (CN) D926,289 S * 7/2021 Chen D23/226
2013/0193236 A1* 8/2013 Ye B05B 9/01
239/526
(72) Inventor: **Bo Zheng**, Ningbo (CN) 2015/0028134 A1* 1/2015 Hung B05B 1/3046
239/526
(73) Assignee: **YONGKANG CHUNKAI IMPORT**
& **EXPORT CO., LTD**, Jinhua (CN)

(**) Term: **15 Years**
(21) Appl. No.: **29/769,034**
(22) Filed: **Feb. 3, 2021**

(30) **Foreign Application Priority Data**
Aug. 4, 2020 (CN) 202030434694.6
(51) **LOC (13) Cl.** **23-01**
(52) **U.S. Cl.**
USPC **D23/226**
(58) **Field of Classification Search**
USPC D8/1-2; D23/213-215, 222-224, 226,
D23/255
CPC A01M 7/0046; B05B 1/16; B05B 9/01;
B05B 12/002; B05B 12/0022; B05B
12/0024; B05B 12/0026; B05B 15/63
See application file for complete search history.

(56) **References Cited**
U.S. PATENT DOCUMENTS
D471,619 S * 3/2003 Nien D23/226
D475,122 S * 5/2003 Kuo D23/226
D652,112 S * 1/2012 Chen D23/226
D774,165 S * 12/2016 Chen D23/226
D779,634 S 2/2017 Chen
D780,293 S * 2/2017 Chen D23/226
D783,122 S * 4/2017 Chen D23/226
D783,124 S * 4/2017 Chen D23/226
D819,783 S 6/2018 Urry
D838,341 S * 1/2019 Svendsen B05B 1/3046
D23/226

OTHER PUBLICATIONS

DETTELIN Garden Hose 2021 found on Sep. 17, 2021 at <https://www.amazon.com/DETTELIN-Adjustable-Pressure-Aluminum-Spraying/dp/B08T9RMB69/> (Year: 2021).*

* cited by examiner

Primary Examiner — Karen S Acker
Assistant Examiner — Jonathan E Fiencke

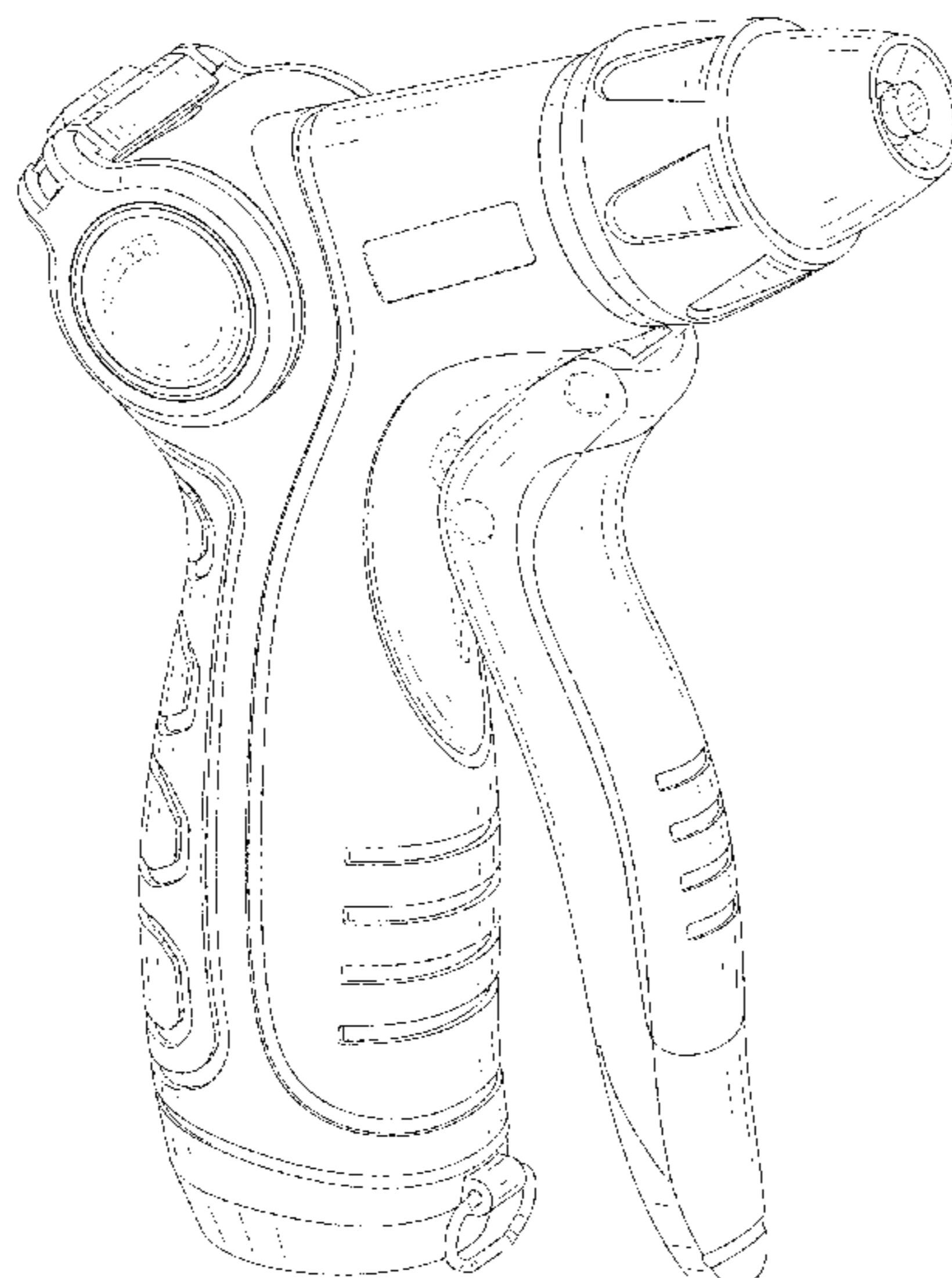
(57) **CLAIM**

The ornamental design for a water spraying gun, as shown and described.

DESCRIPTION

FIG. 1 is a perspective view of a water spraying gun showing my new design;
FIG. 2 is another perspective view thereof;
FIG. 3 is a front elevational view thereof;
FIG. 4 is a rear elevational view thereof;
FIG. 5 is a left side elevational view thereof;
FIG. 6 is a right side elevational view thereof;
FIG. 7 is a top plan view thereof; and,
FIG. 8 is a bottom plan view thereof.
The broken lines in the drawings and the areas within depict portions of the water spraying gun that form no part of the claimed design. In the back of the trigger and in the openings at the bottom of FIGS. 2 and 8 the unshaded areas and broken lines adjacent to solid lines depict portions of the water spraying gun that form no part of the claimed design.

1 Claim, 8 Drawing Sheets



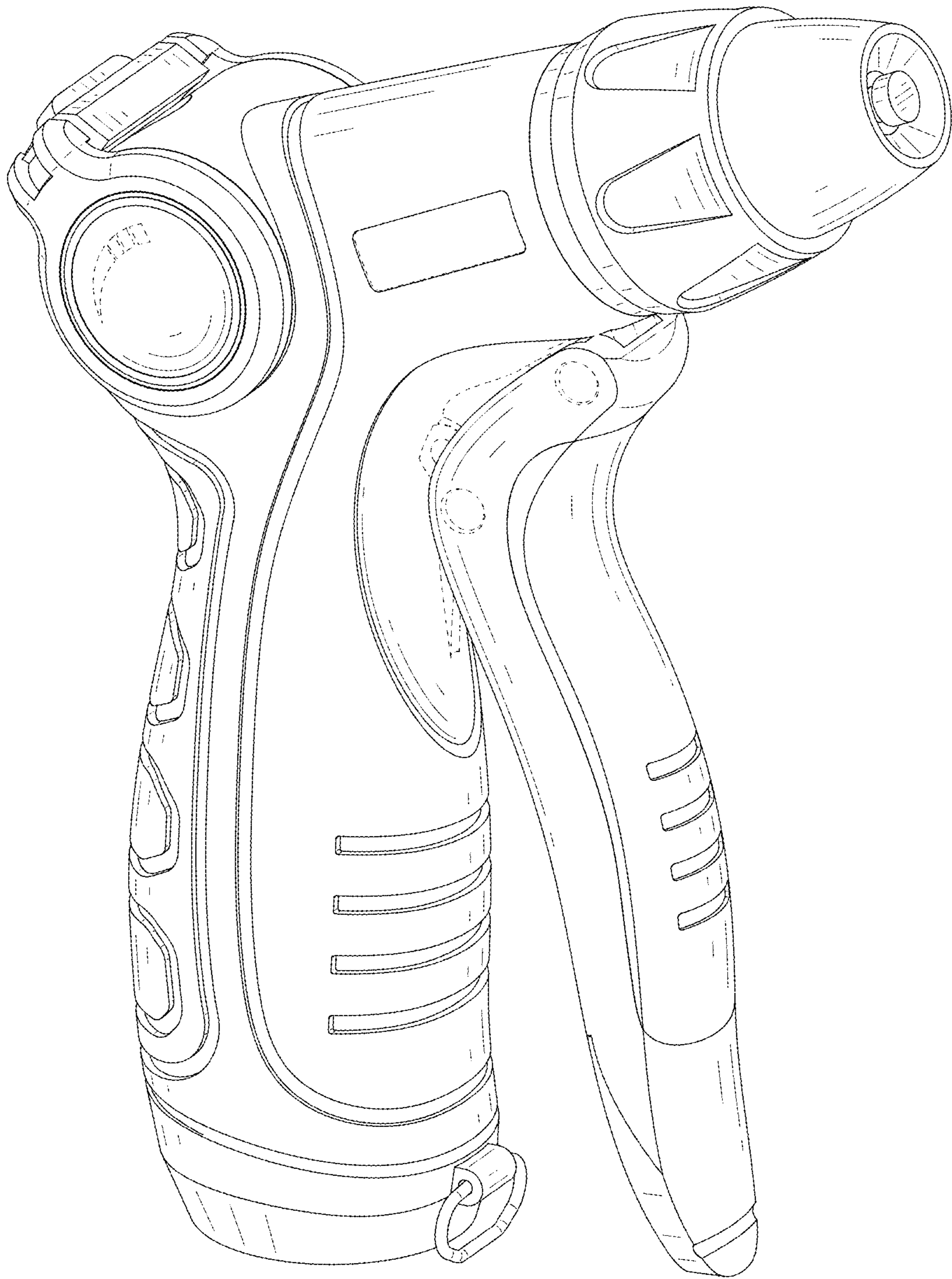


FIG. 1

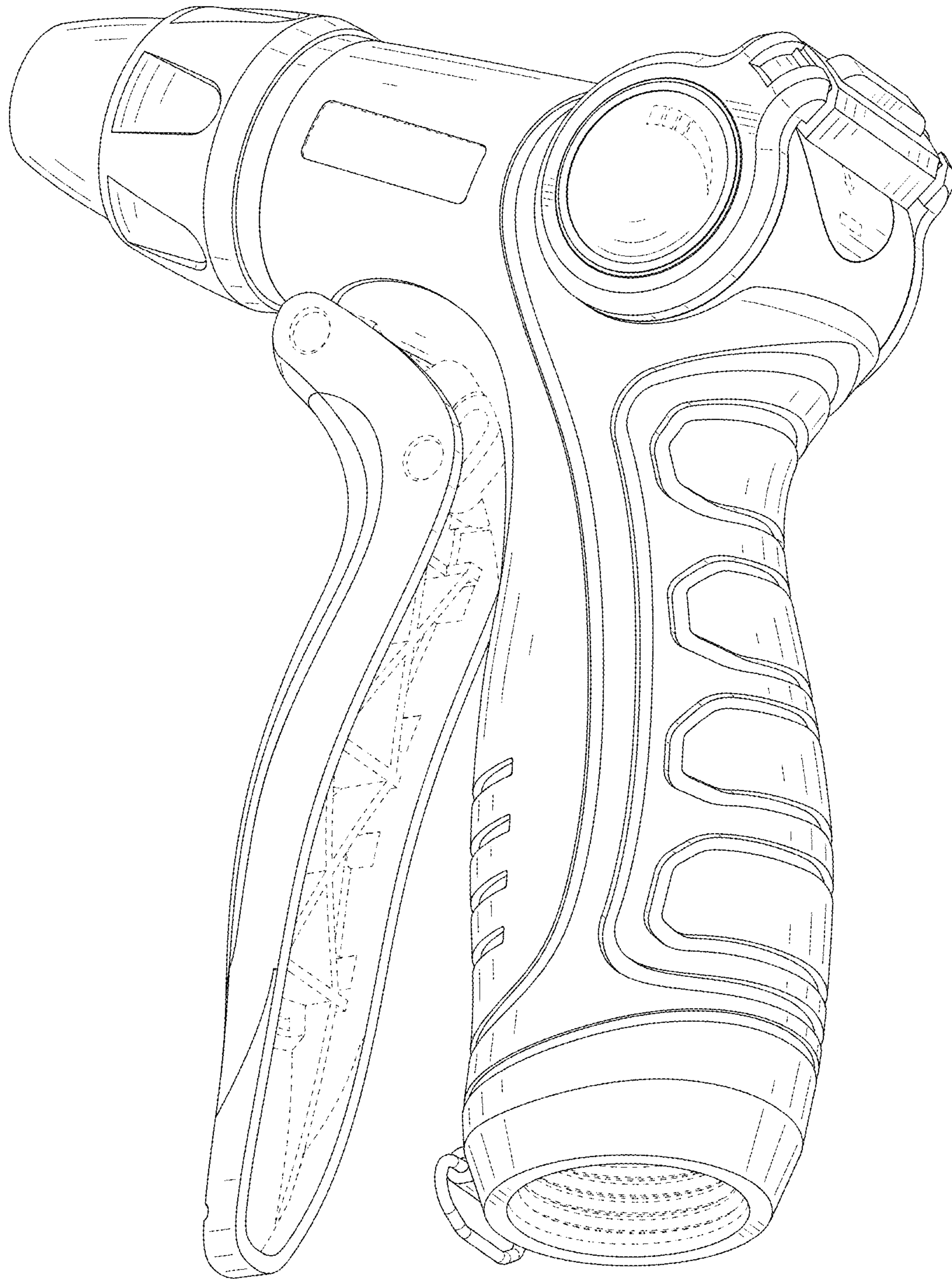


FIG. 2

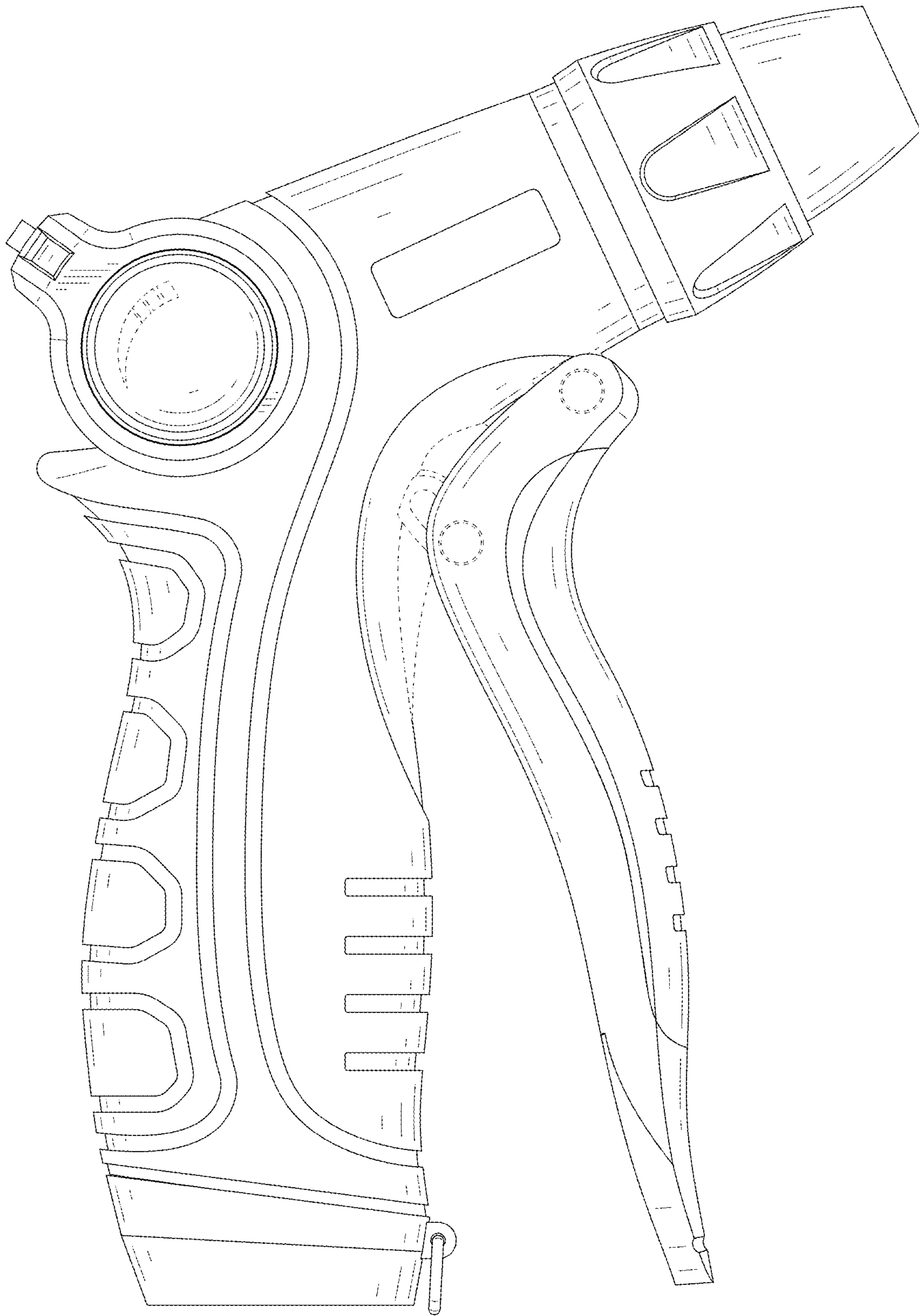


FIG. 3

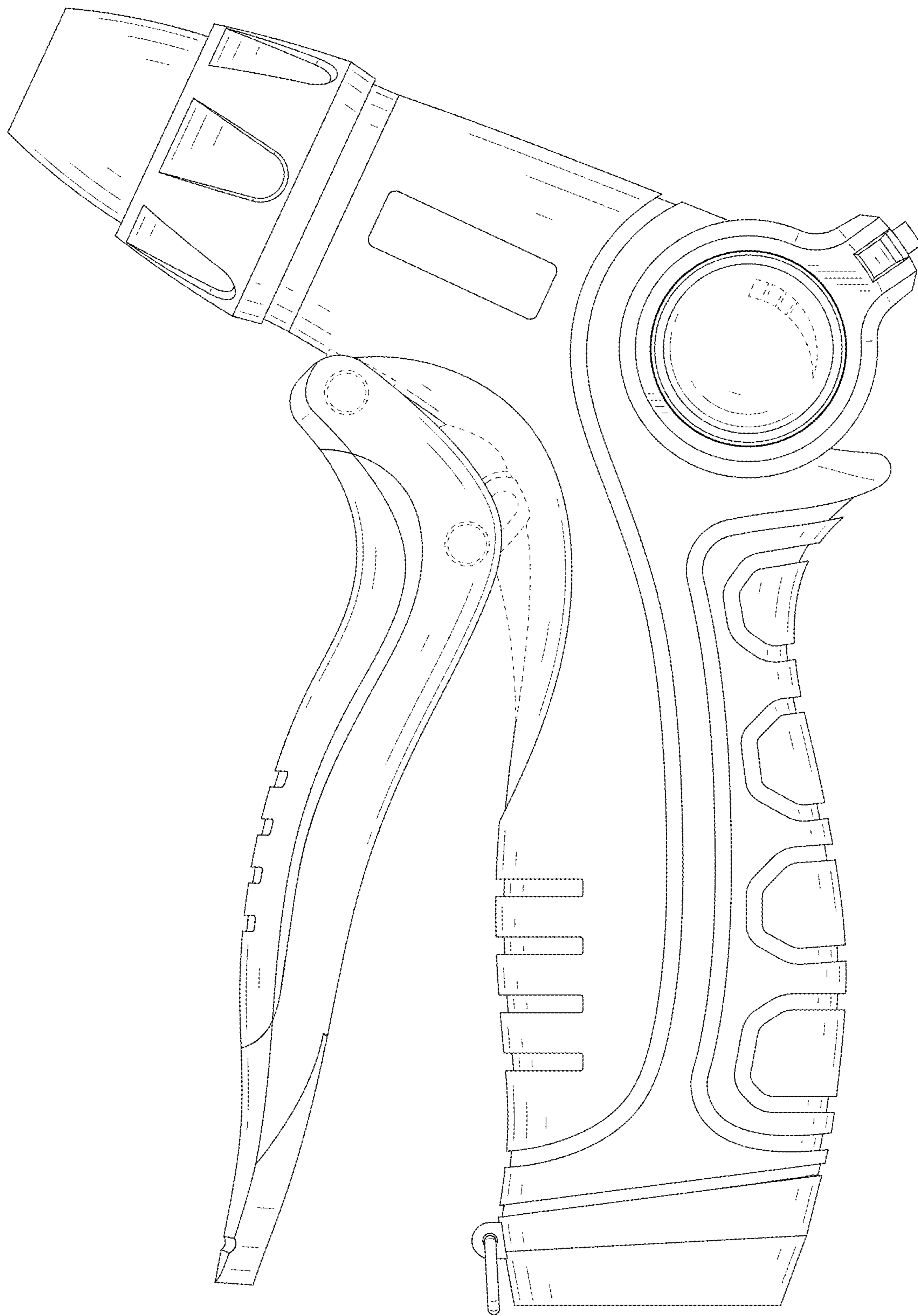


FIG. 4

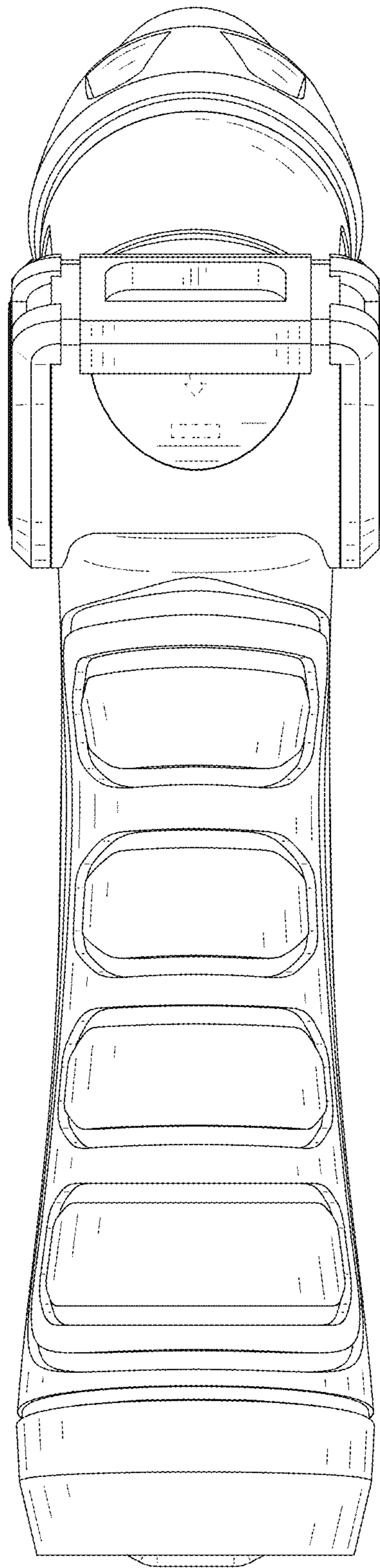


FIG. 5

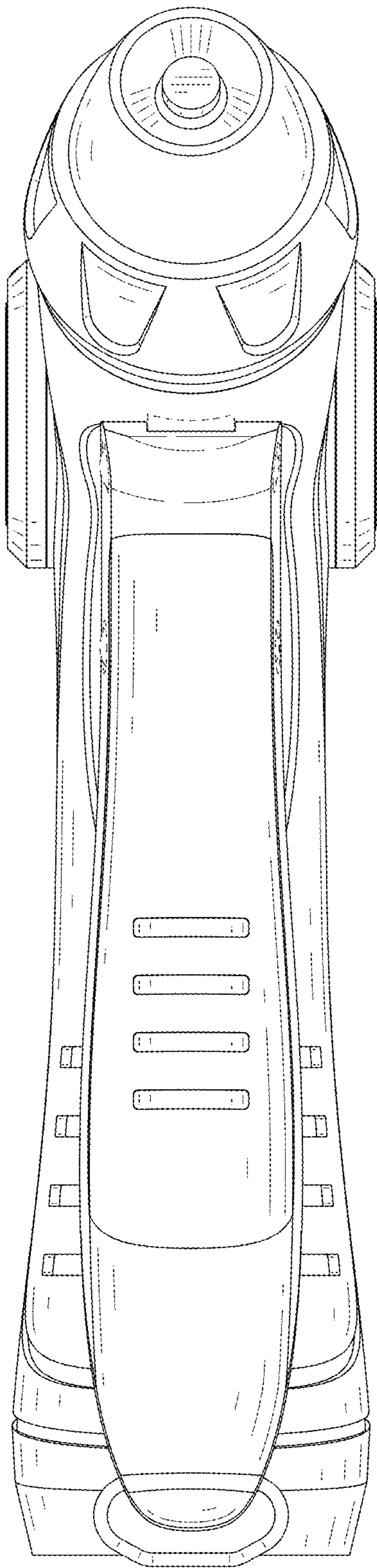


FIG. 6

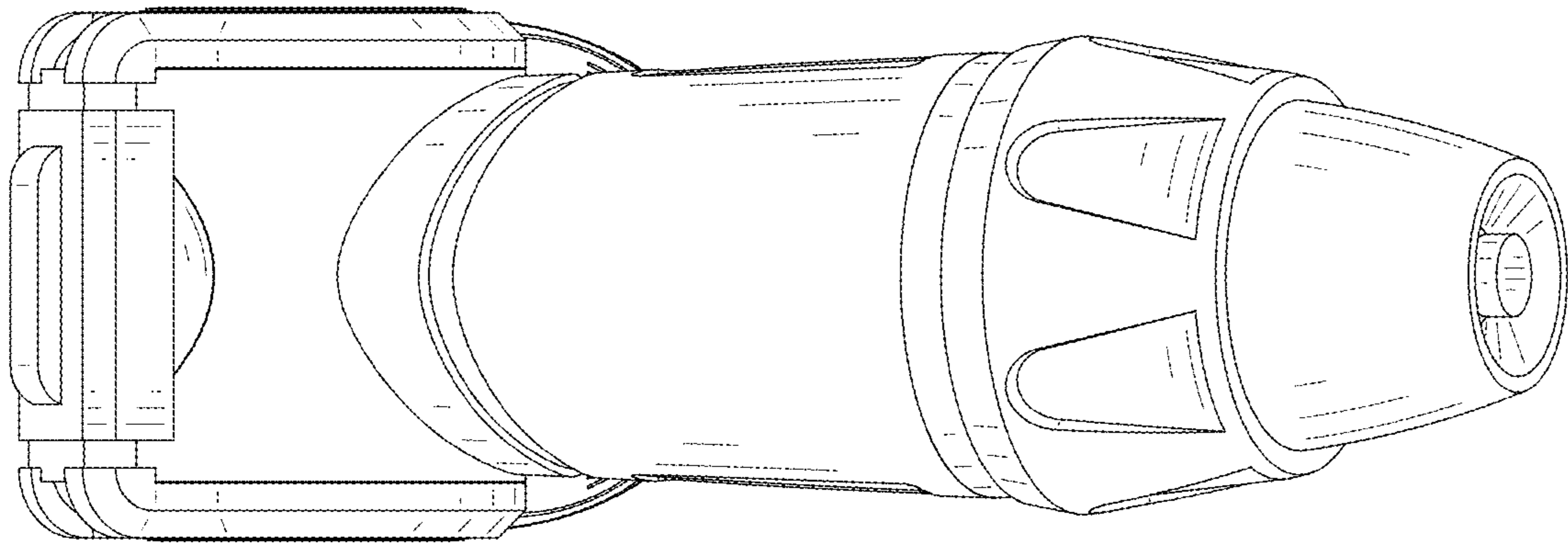


FIG. 7

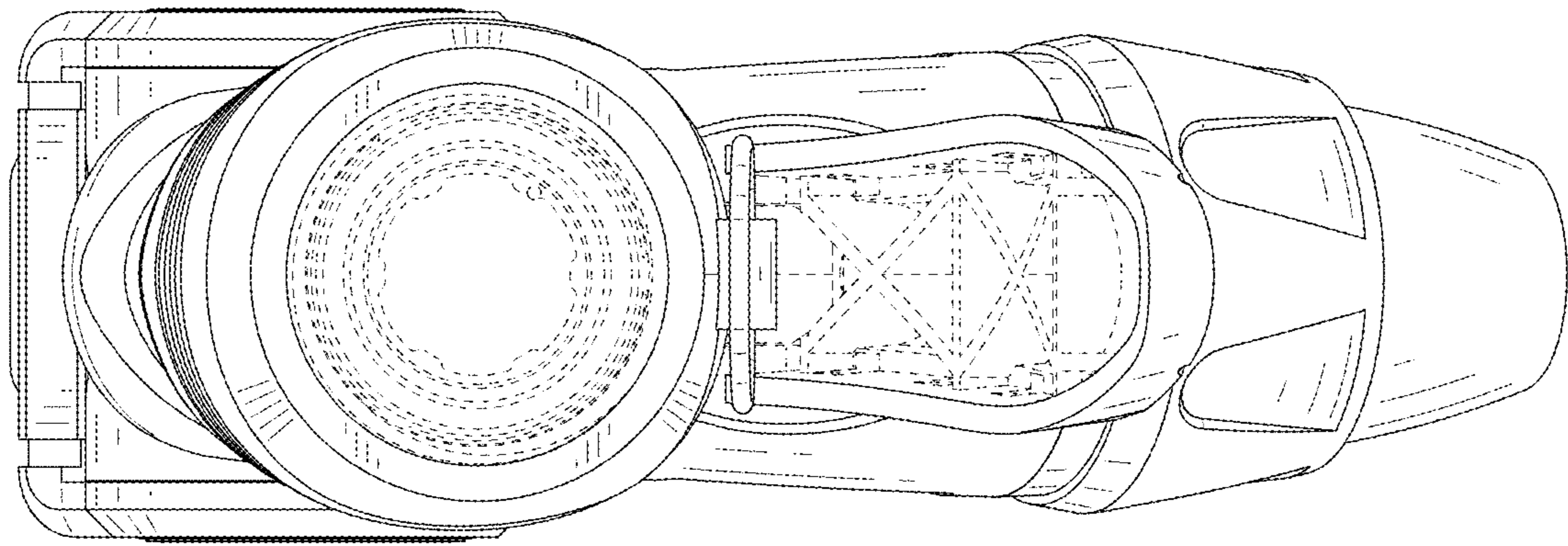


FIG. 8