



US00D936179S

(12) **United States Design Patent** (10) **Patent No.:** **US D936,179 S**
Murray (45) **Date of Patent:** **** Nov. 16, 2021**

(54) **FLUID ATOMIZATION DEVICE**

(71) Applicant: **Ernest Murray**, Pendleton, SC (US)

(72) Inventor: **Ernest Murray**, Pendleton, SC (US)

(**) Term: **15 Years**

(21) Appl. No.: **29/747,593**

(22) Filed: **Aug. 24, 2020**

(51) **LOC (13) Cl.** **23-01**

(52) **U.S. Cl.**
USPC **D23/223**

(58) **Field of Classification Search**

USPC D23/213, 214, 215, 222, 223, 224, 226,
D23/229, 230, 259

CPC A61H 9/0021; A61H 33/00; B05B 1/00;
B05B 1/14; B05B 1/185; B05B 1/08;
B05B 1/02; B05B 1/26; B05B 12/002;
B05B 1/18; B05B 9/01

See application file for complete search history.

(56) **References Cited**

U.S. PATENT DOCUMENTS

D244,937 S *	7/1977	Houk	D23/259
D284,603 S *	7/1986	Loignon	D23/259
D353,874 S *	12/1994	Clivio	D23/213
D359,547 S *	6/1995	Wang	D23/213
D385,948 S *	11/1997	Guo	D23/223
D425,603 S *	5/2000	Guo	D23/213
D467,637 S *	12/2002	Chen	D23/223
D470,567 S *	2/2003	Alkalay	D23/223
D499,790 S *	12/2004	Chen	D23/223
D513,426 S *	1/2006	Chen	D23/223
D522,616 S *	6/2006	Minnick	D23/233
D595,391 S *	6/2009	Weltman	D23/268
D625,573 S *	10/2010	Bonzer	D8/107

(Continued)

OTHER PUBLICATIONS

YESTAR 24-33 Inches Watering Wand Adjustable Front Trigger Shower Wand, Apr. 20, 2018, Amazon.com, Sep. 10, 2021.URL: <https://www.amazon.com/dp/B07MSJ2SF2> (Year: 2018).*

(Continued)

Primary Examiner — Jack Reickel
Assistant Examiner — Keith J Wilson

(57) **CLAIM**

The ornamental design for a fluid atomization device, as shown and described.

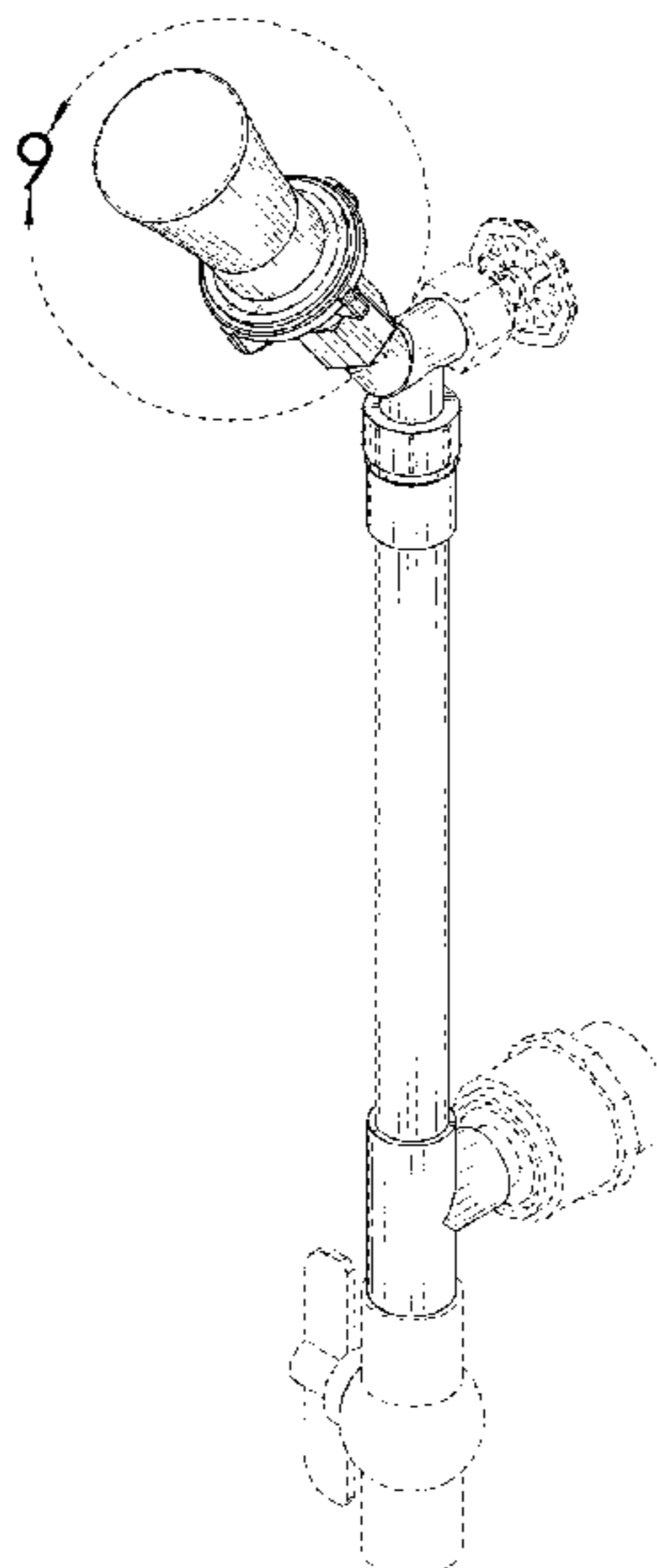
DESCRIPTION

FIG. 1 is a top-front-left perspective view of a fluid atomization device showing my new design; FIG. 2 is a bottom-rear-right perspective view thereof; FIG. 3 is a front elevational view thereof; FIG. 4 is a rear elevational view thereof; FIG. 5 is a left-side elevational view thereof; FIG. 6 is right-side elevational view thereof; FIG. 7 is an enlarged top plan view thereof; FIG. 8 is an enlarged bottom plan view thereof; FIG. 9 is a detail view of area 9 in FIG. 1; FIG. 10 is a detail view of area 10 in FIG. 2; and, FIG. 11 is a left-side elevational view of a second embodiment of a fluid atomization device shown broken away for indeterminate length, that being the only difference from the embodiment shown in FIG. 1 through 10.

The broken line showing an internal volume of the nozzle body and apertures leading thereto in FIGS. 1, 2, 3, 4, 7, 8, 9, and 10; the supply line fittings in FIGS. 1, 2, 3, 4, 5, 6, 7, 8, and 11; and the exemplary couplers in FIG. 1 through 11 is included for the purpose of illustrating environmental structure and forms no part of the claimed design.

Additionally, the fluid atomization device is shown with symbolic breaks in its length. The appearance of any portion of the article between the break lines forms no part of the claimed design.

1 Claim, 11 Drawing Sheets



(56)

References Cited

U.S. PATENT DOCUMENTS

D648,823	S	*	11/2011	Hung	D23/223
D651,282	S	*	12/2011	Bonzer	D23/223
D768,818	S	*	10/2016	Chen	D23/223
D768,819	S	*	10/2016	Chen	D23/223
D804,617	S	*	12/2017	Armstrong	D23/259
D804,618	S	*	12/2017	Hurley	D23/259
D823,114	S	*	7/2018	Johnson	D9/447
D890,309	S	*	7/2020	Murray	D23/266
D891,579	S	*	7/2020	Cai	D23/213
D926,932	S	*	8/2021	Chen	D23/226
D929,538	S	*	8/2021	Chen	D23/223

OTHER PUBLICATIONS

Melnor 65044-AMZ RelaxGrip QuickConnect Product Adapter, Extension Wand, Jul. 26, 2020, Amazon.com, Sep. 10, 2021, URL: <https://www.amazon.com/Melnor-65044-AMZ-RelaxGrip-8-Pattern-QuickConnect/dp/B07NDYV537> (Year: 2020).*

Orbit 56076 FrontTrigger 10 Pattern Turret Wand, Nov. 13, 2015, Amazon.com, Sep. 10, 2021, URL: <https://www.amazon.com/Pack-Orbit-Front-Trigger-Pattern/dp/B00B7RDL24> (Year: 2015).*

* cited by examiner

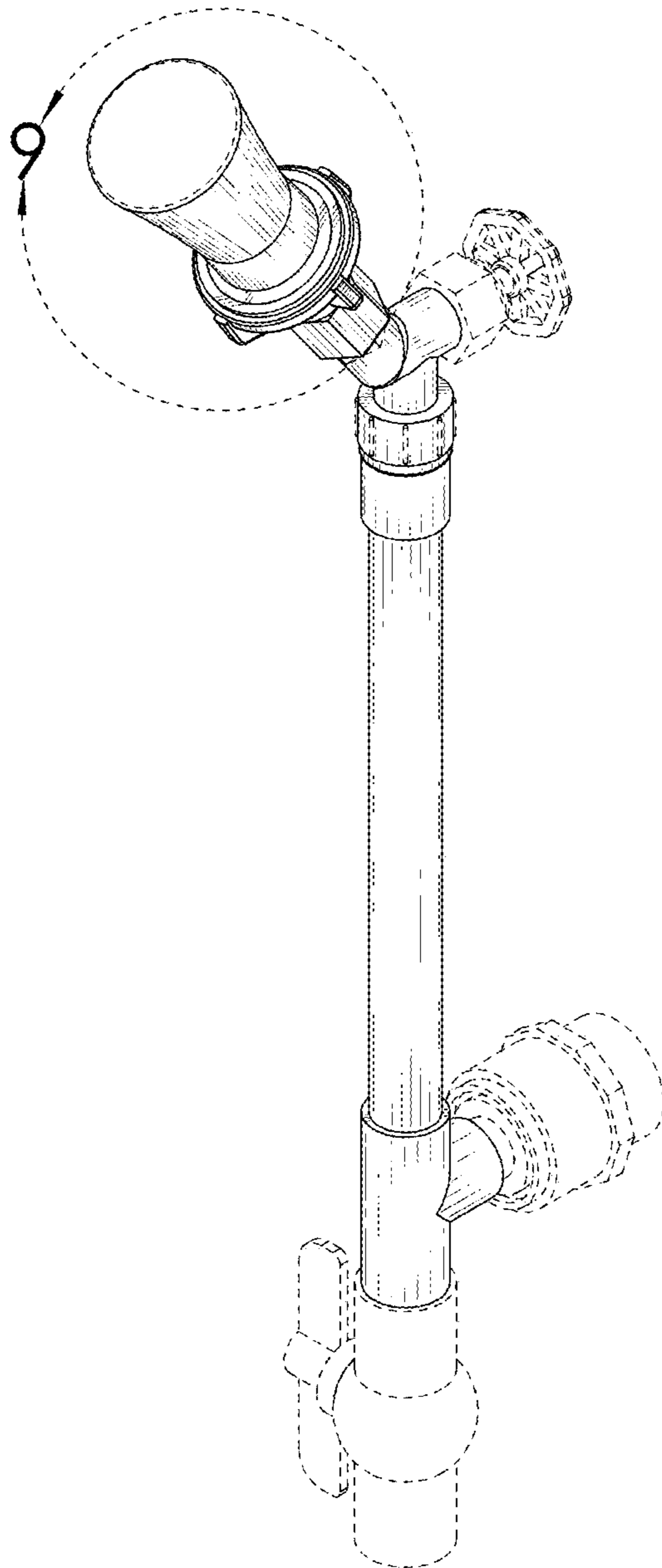


FIG. 1

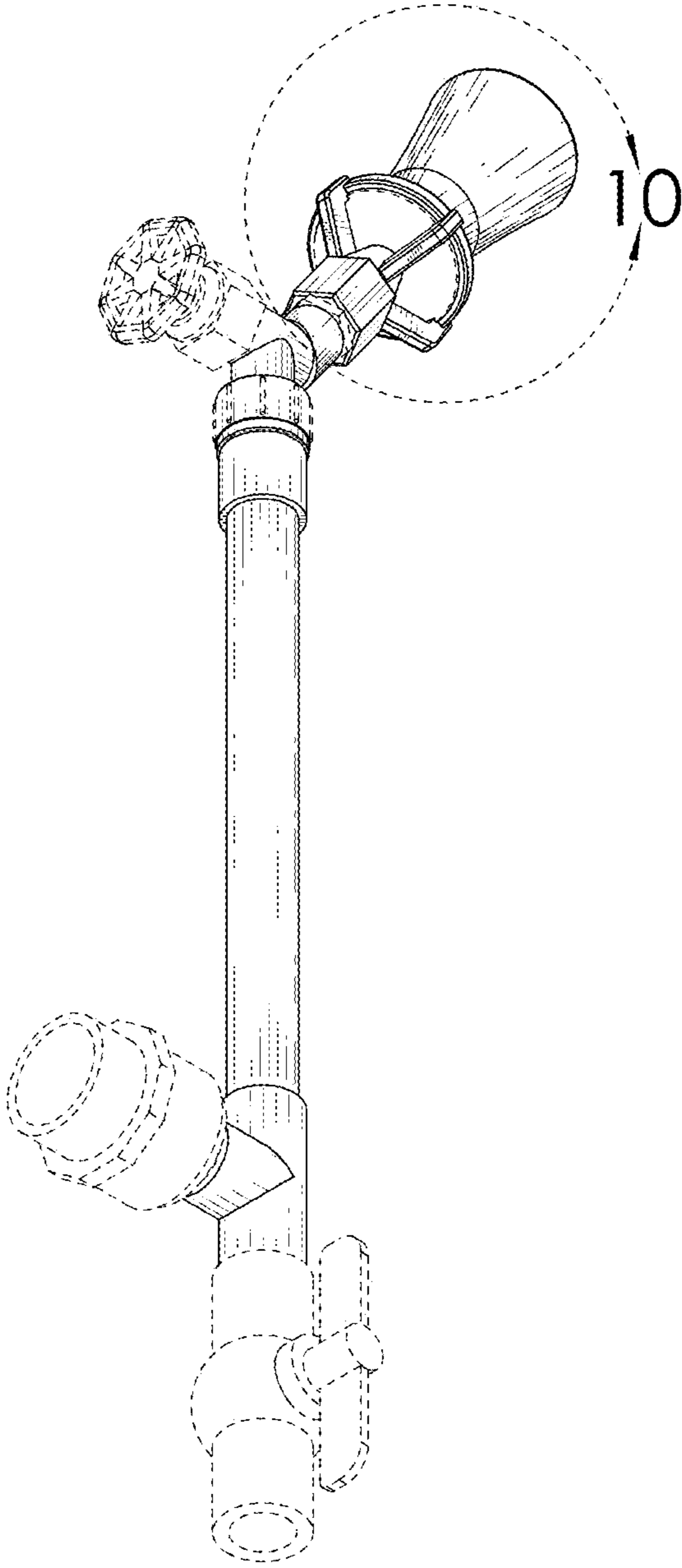


FIG. 2

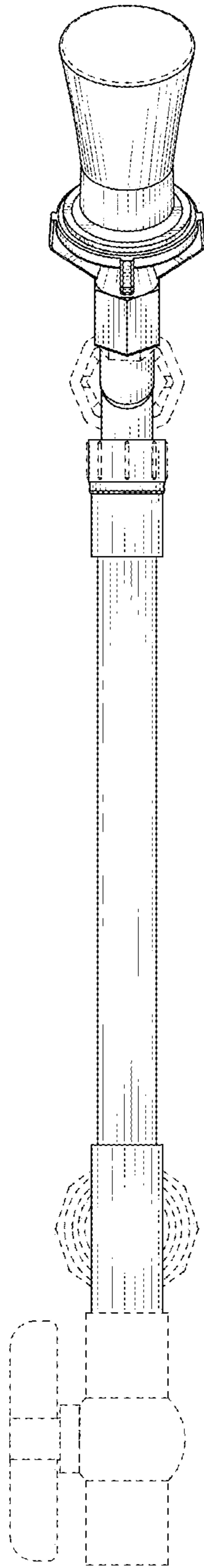


FIG. 3

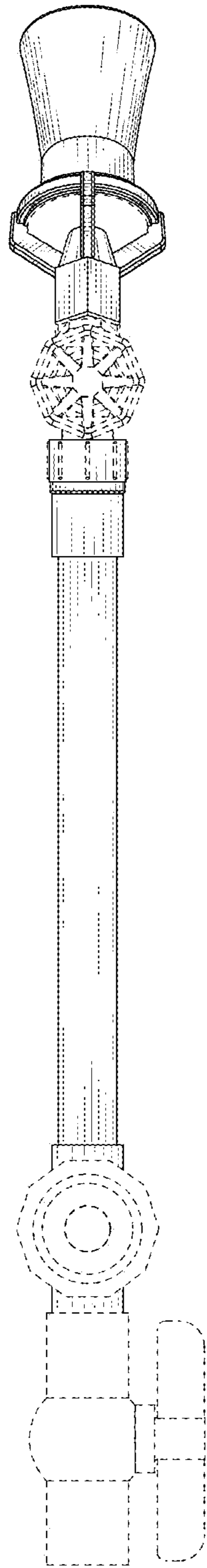


FIG. 4

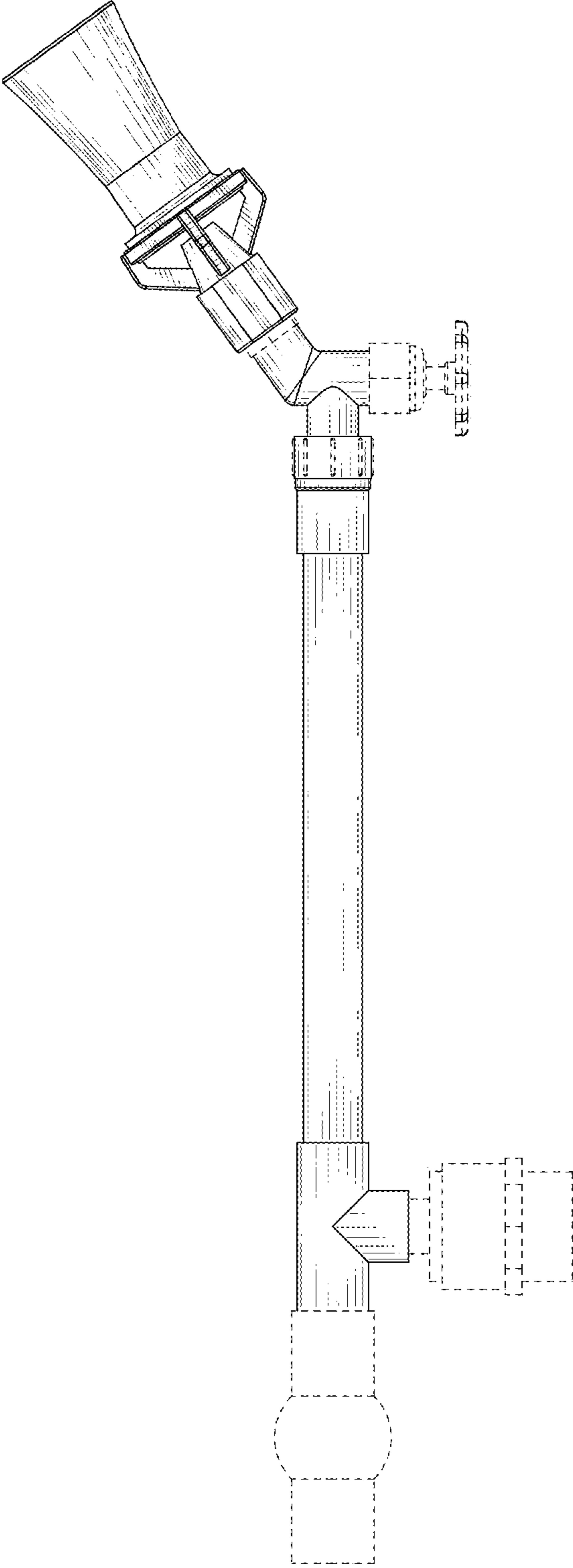


FIG. 5

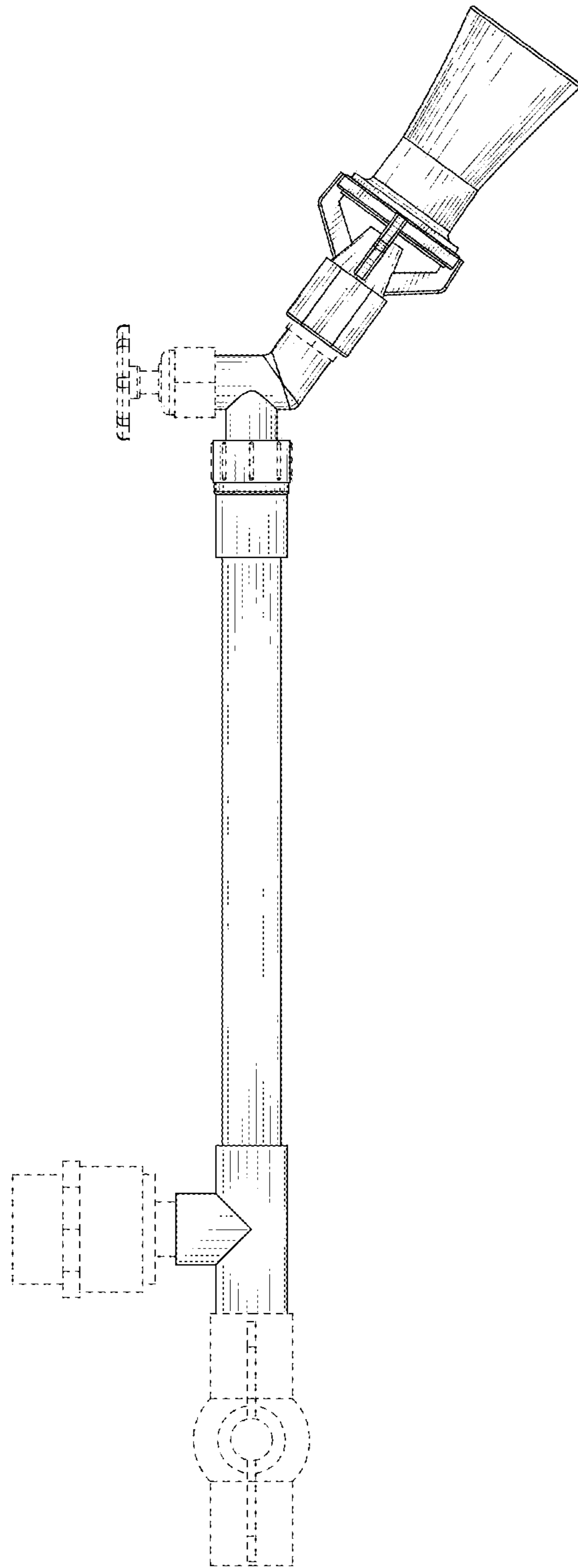


FIG. 6

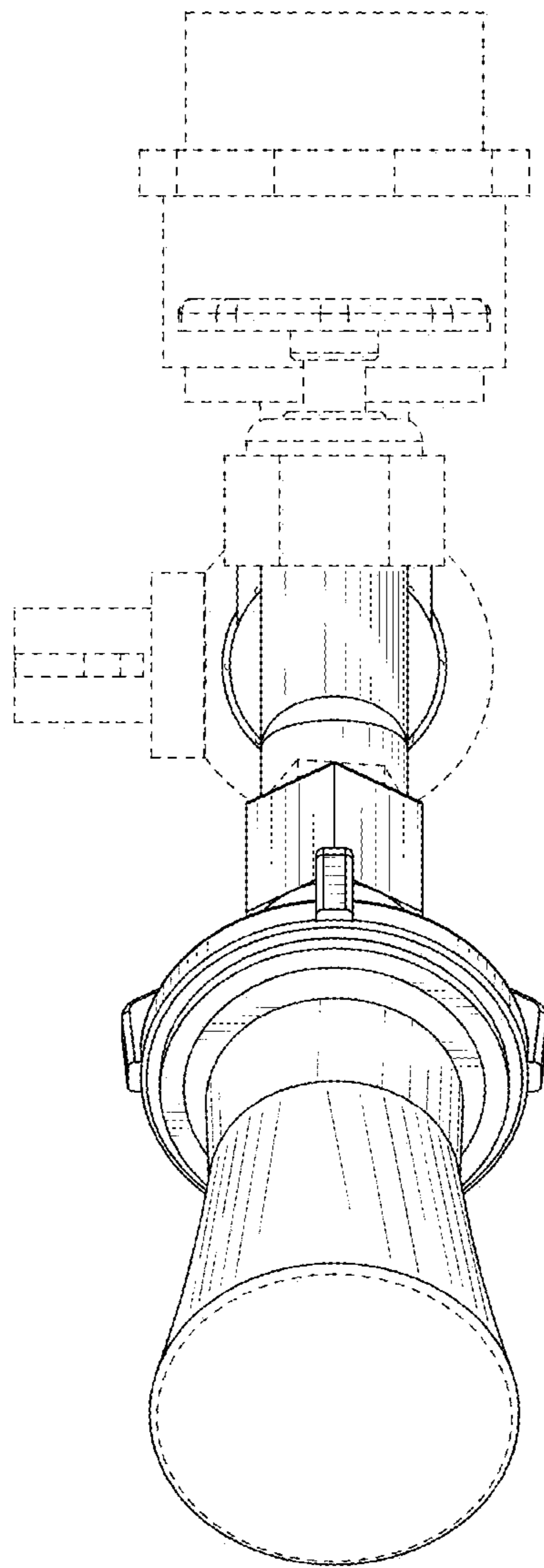


FIG. 7

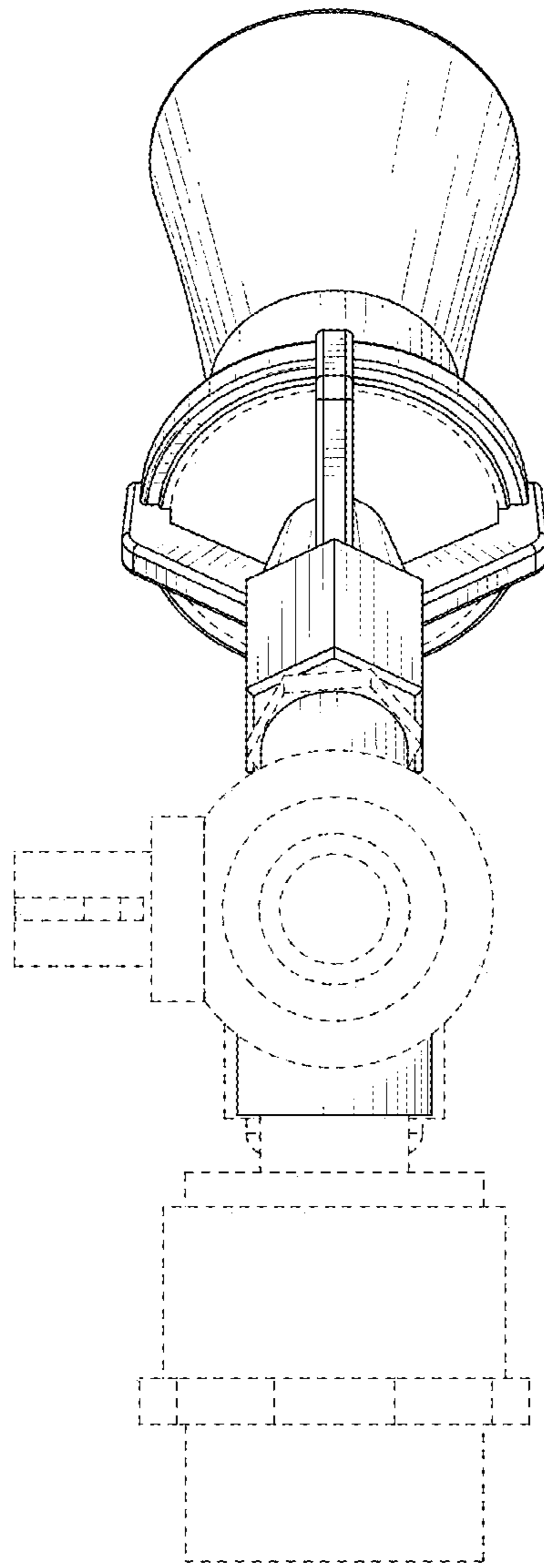


FIG. 8

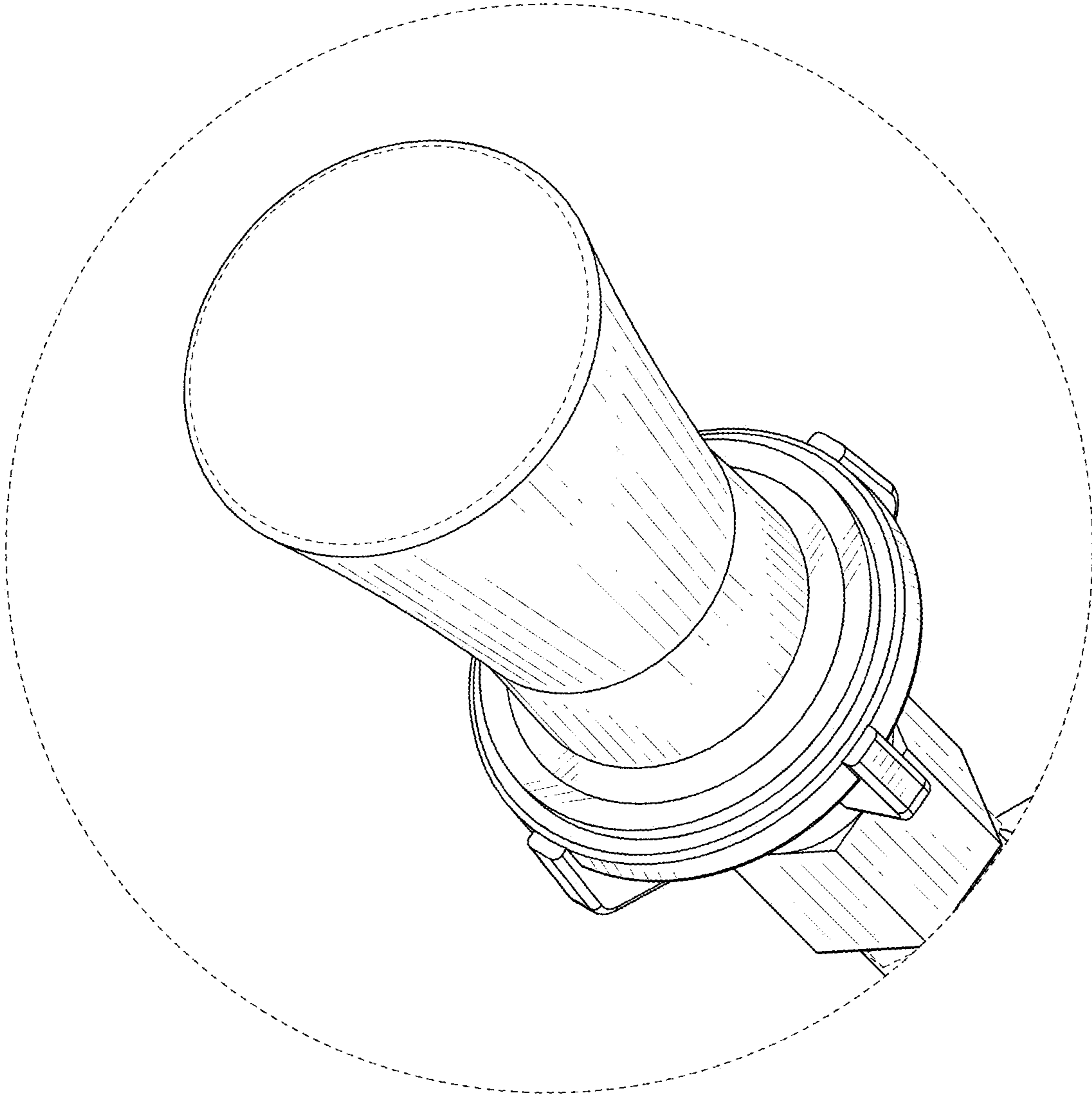


FIG. 9

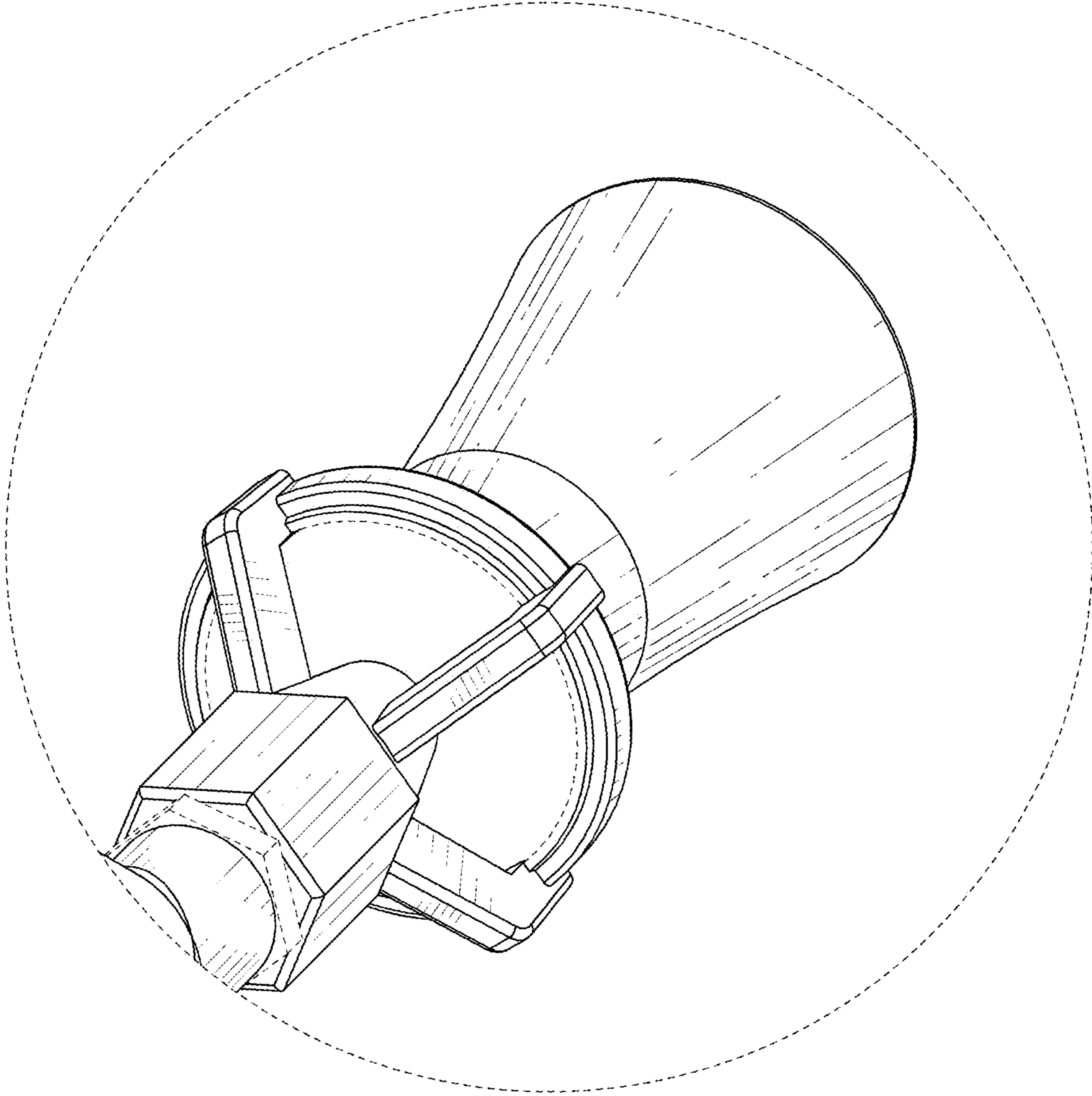


FIG. 10

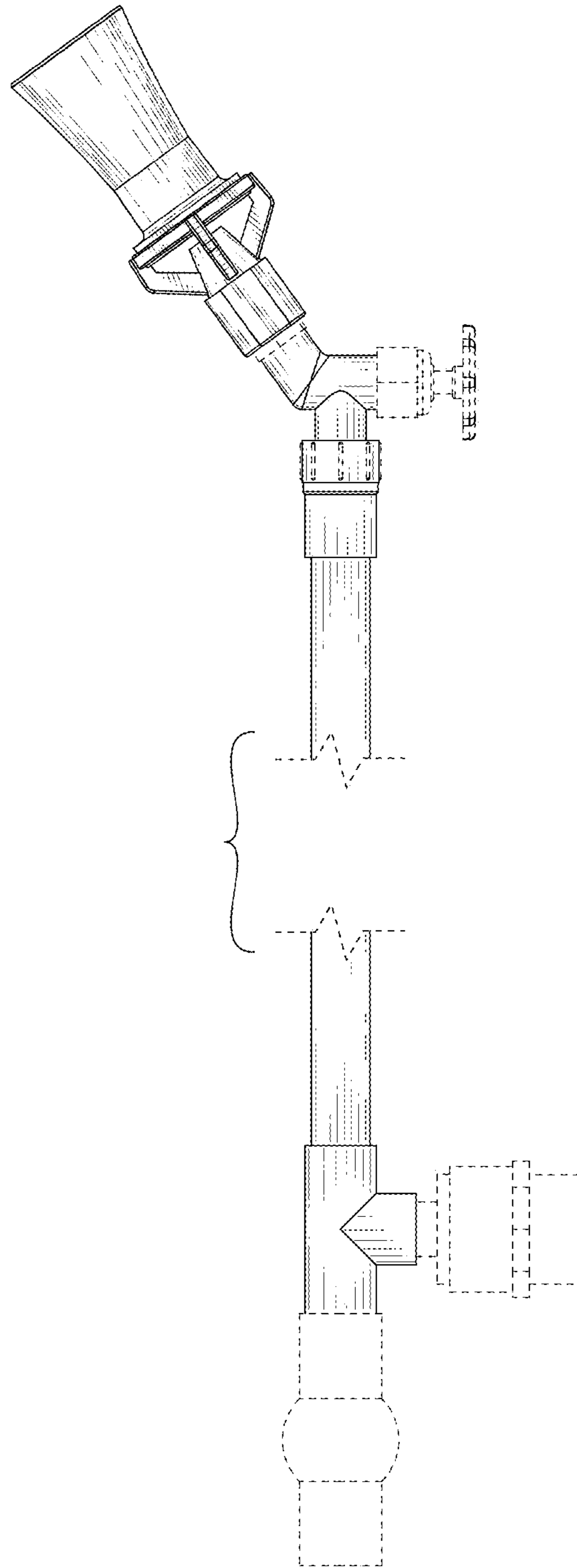


FIG. 11