



US00D936178S

(12) **United States Design Patent** (10) **Patent No.:** **US D936,178 S**
Lin et al. (45) **Date of Patent:** **** Nov. 16, 2021**

(54) **SHOWER HEAD**

(71) Applicant: **FUJIAN XIHE SANITARY WARE TECHNOLOGY CO., LTD**, Fujian (CN)

(72) Inventors: **Xiaofa Lin**, Fujian (CN); **Xiaoshan Lin**, Fujian (CN); **Qiqiao Liu**, Fujian (CN); **Xiaoqing Deng**, Fujian (CN); **Qing Kang**, Fujian (CN)

(73) Assignee: **FUJIAN XIHE SANITARY WARE TECHNOLOGY CO., LTD**, Fujian (CN)

(**) Term: **15 Years**

(21) Appl. No.: **29/728,428**

(22) Filed: **Mar. 18, 2020**

(51) **LOC (13) Cl.** **23-01**

(52) **U.S. Cl.**
USPC **D23/213**

(58) **Field of Classification Search**
USPC D23/213, 214, 215, 223, 224, 226, 229
CPC A61H 9/0021; A61H 33/00; B05B 1/00;
B05B 1/14; B05B 1/185; B05B 1/08;
B05B 1/02; B05B 1/26; B05B 12/002;
B05B 1/18; B05B 9/01
See application file for complete search history.

(56) **References Cited**

U.S. PATENT DOCUMENTS

D410,996 S *	6/1999	Ben-Tsur	D23/229
D430,267 S *	8/2000	Milrud	D23/213
D487,498 S *	3/2004	Blomstrom	D23/213
D497,974 S	11/2004	Haug et al.		
D500,121 S *	12/2004	Blomstrom	D23/213
D500,839 S *	1/2005	Blomstrom	D23/229
D507,820 S *	7/2005	Blomstrom	D23/229
D509,282 S *	9/2005	Blomstrom	D23/229

D511,810 S *	11/2005	Hanna	D23/229
D536,420 S *	2/2007	Paterson	D23/229
D551,737 S	9/2007	Haug et al.		

(Continued)

OTHER PUBLICATIONS

“[Showermaxx]” [Jun. 13, 2015], [Site], Amazon.com [Feb. 13, 2021]: [URL] <https://www.amazon.com/ShowerMaxx-Adjustable-MAXX-imize-Restrictor-Showerhead/dp/> (Year: 2015).*

(Continued)

Primary Examiner — Jack Reickel

Assistant Examiner — Keith J Wilson

(74) *Attorney, Agent, or Firm* — Brooks Kushman P.C.

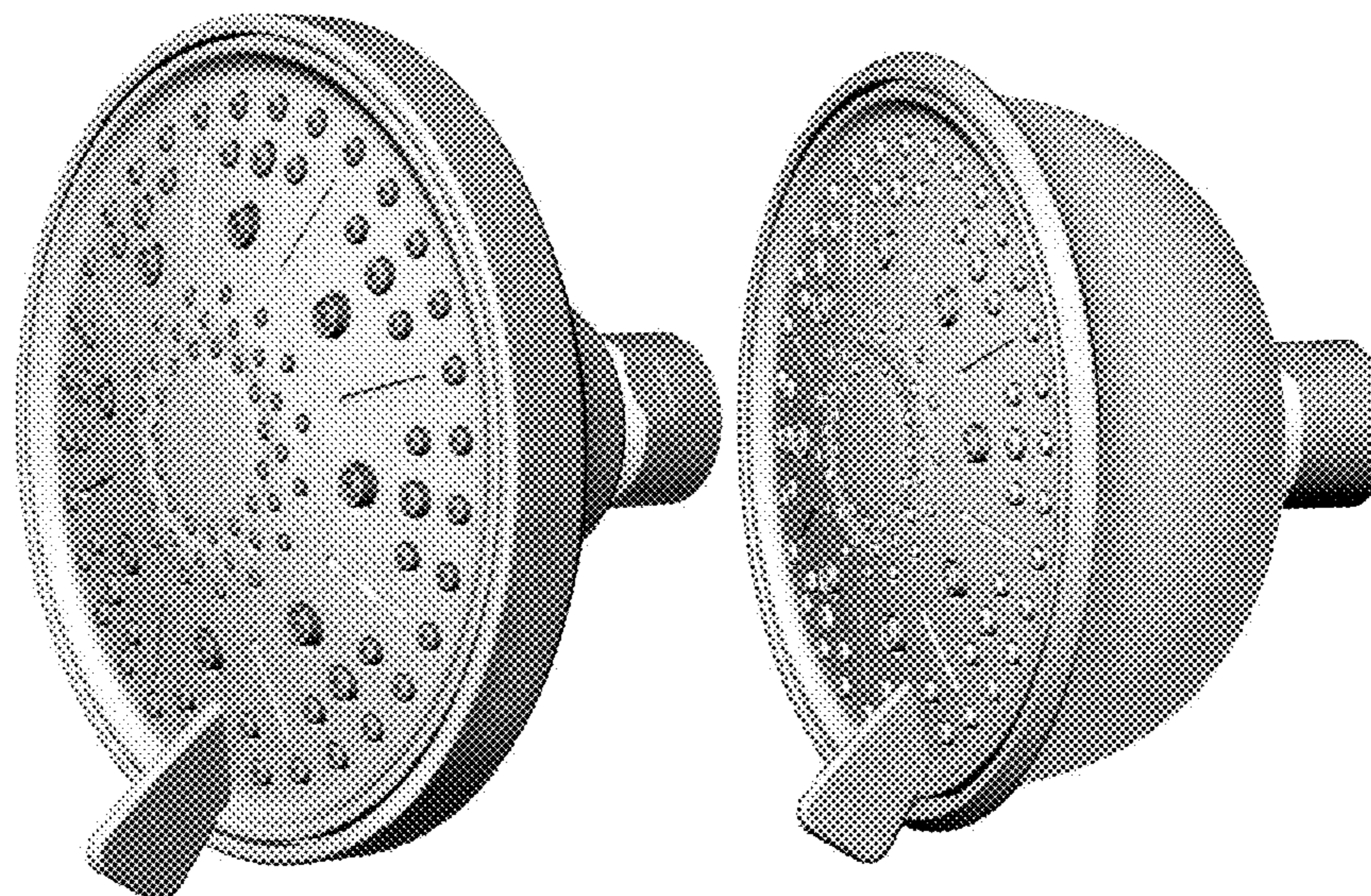
(57) **CLAIM**

The ornamental design for a shower head, as shown and described.

DESCRIPTION

FIG. 1 is a perspective view of a first embodiment of a shower head of our design;
FIG. 2 is a front view thereof;
FIG. 3 is a rear view thereof;
FIG. 4 is a left view thereof;
FIG. 5 is a right view thereof;
FIG. 6 is a top view thereof;
FIG. 7 is a bottom view thereof.
FIG. 8 is a perspective view of a second embodiment of a shower head of our design;
FIG. 9 is a front view thereof;
FIG. 10 is a rear view thereof;
FIG. 11 is a left view thereof;
FIG. 12 is a right view thereof;
FIG. 13 is a top view thereof; and,
FIG. 14 is a bottom view thereof.
The broken lines shown in the figures illustrate portions of the shower head that form no part of the claimed design.

1 Claim, 14 Drawing Sheets



(56)

References Cited

U.S. PATENT DOCUMENTS

D555,769 S * 11/2007 Lee D23/229
 D556,296 S * 11/2007 Genord D23/229
 D560,273 S * 1/2008 Hanna D23/229
 D566,232 S * 4/2008 Miedzius D23/229
 D610,231 S 2/2010 Wu et al.
 D610,651 S 2/2010 Wu et al.
 D617,873 S * 6/2010 Lee D23/229
 D617,874 S * 6/2010 Lee D23/229
 D619,680 S * 7/2010 Lee D23/229
 D638,100 S * 5/2011 Juan D23/213
 D654,983 S 2/2012 Schoenherr et al.
 D662,180 S * 6/2012 Cutler D23/229
 D681,780 S * 5/2013 Cutler D23/229
 D707,330 S 6/2014 Schoenherr et al.
 D718,418 S * 11/2014 Georgeson D23/213
 D838,810 S * 1/2019 Lai D23/229
 D841,125 S 2/2019 Lai et al.
 D884,832 S 5/2020 Komatsu
 D889,602 S 7/2020 Wu
 D889,603 S 7/2020 Wu
 D901,633 S 11/2020 Wang et al.
 D907,743 S * 1/2021 Wu D23/213
 D908,836 S * 1/2021 Wu D23/213

D919,746 S * 5/2021 Lin D23/223
 D924,357 S * 7/2021 Lai D23/213
 2021/0086205 A1* 3/2021 Downey A47K 3/28

OTHER PUBLICATIONS

Symmons 552SH Elm 5-Spray 4 in. Fixed Showerhead, Sep. 5, 2014, Amazon.com, Jul. 14, 2021, URL: <https://www.amazon.com/Symmons-552SH-Mode-Showerhead-Chrome/dp/B00NBRE6TU/> (Year: 2014).*

Yoo.Mee High Pressure Fixed Shower Head, Oct. 10, 2017, Amazon.com, Jul. 14, 2021, URL: https://www.amazon.com/dp/B0756SFSBW/ref=sbl_dpx_B00NBRE6TU_0 (Year: 2017).*

Delta Multi Function Shower Head, Mar. 7, 2020 https://www.amazon.com/dp/B085LX3F7V/ref=sbl_dpx_B081RR4PYL_0 (Year: 2020).*

R Flory 3.75" High-Pressure Shower Head, Nov. 20, 2019, Amazon.com, Jul. 14, 2021, URL: <https://www.amazon.com/FLORY-High-Pressure-Showerhead-Adjustable-Accessories/dp/B081RR4PYL> (Year: 2019).*

https://www.amazon.com/dp/B0831_J_M_3_P_R/ref=sbl_dpx_BOOGG16L1E_0 (Year: 2019).

https://www.amazon.com/dp/B07QB4LST5/ref=sbl_dpx_B00GG16L1E_0 (Year: 2019).

* cited by examiner



Fig. 1

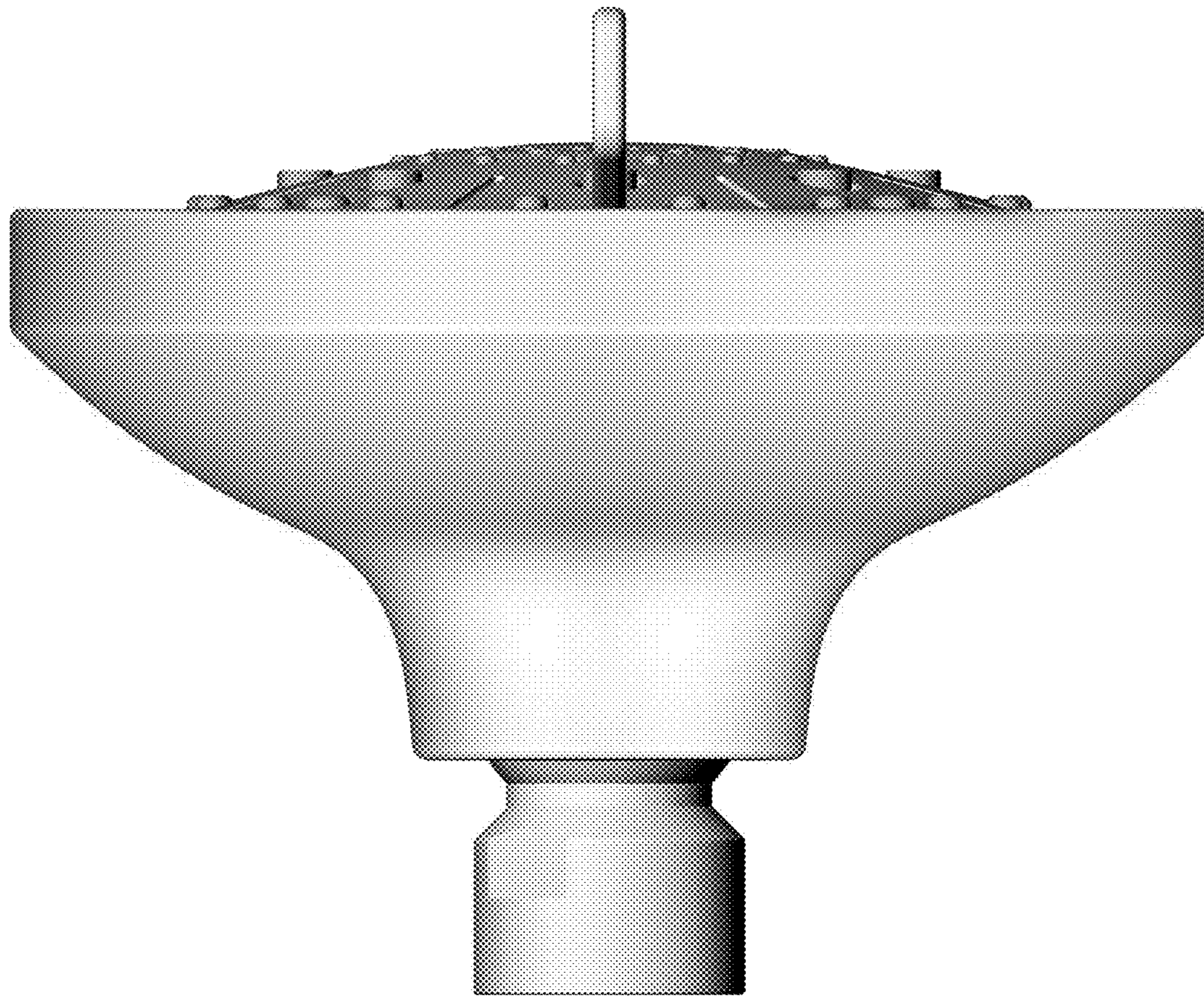


Fig. 2

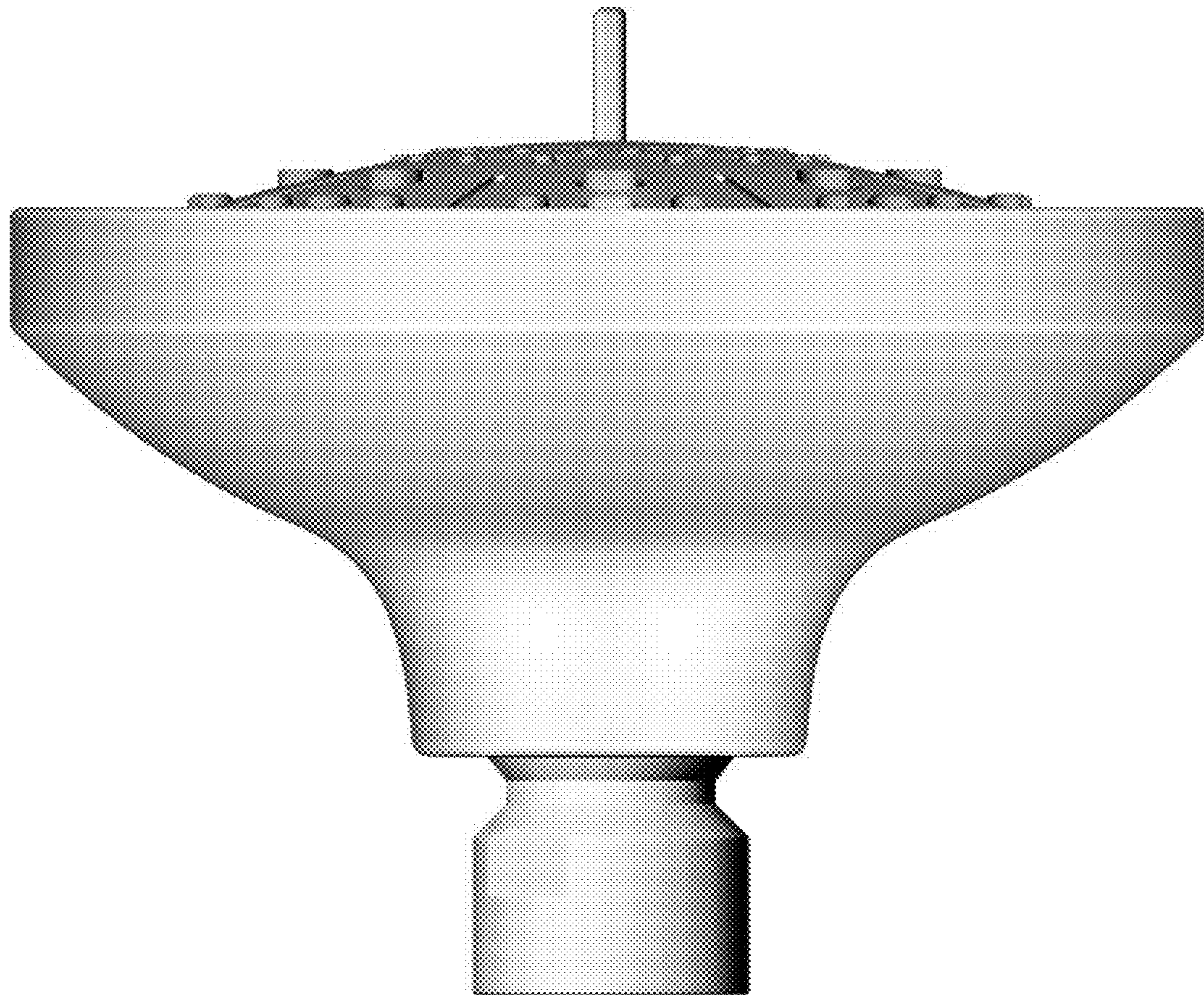


Fig. 3

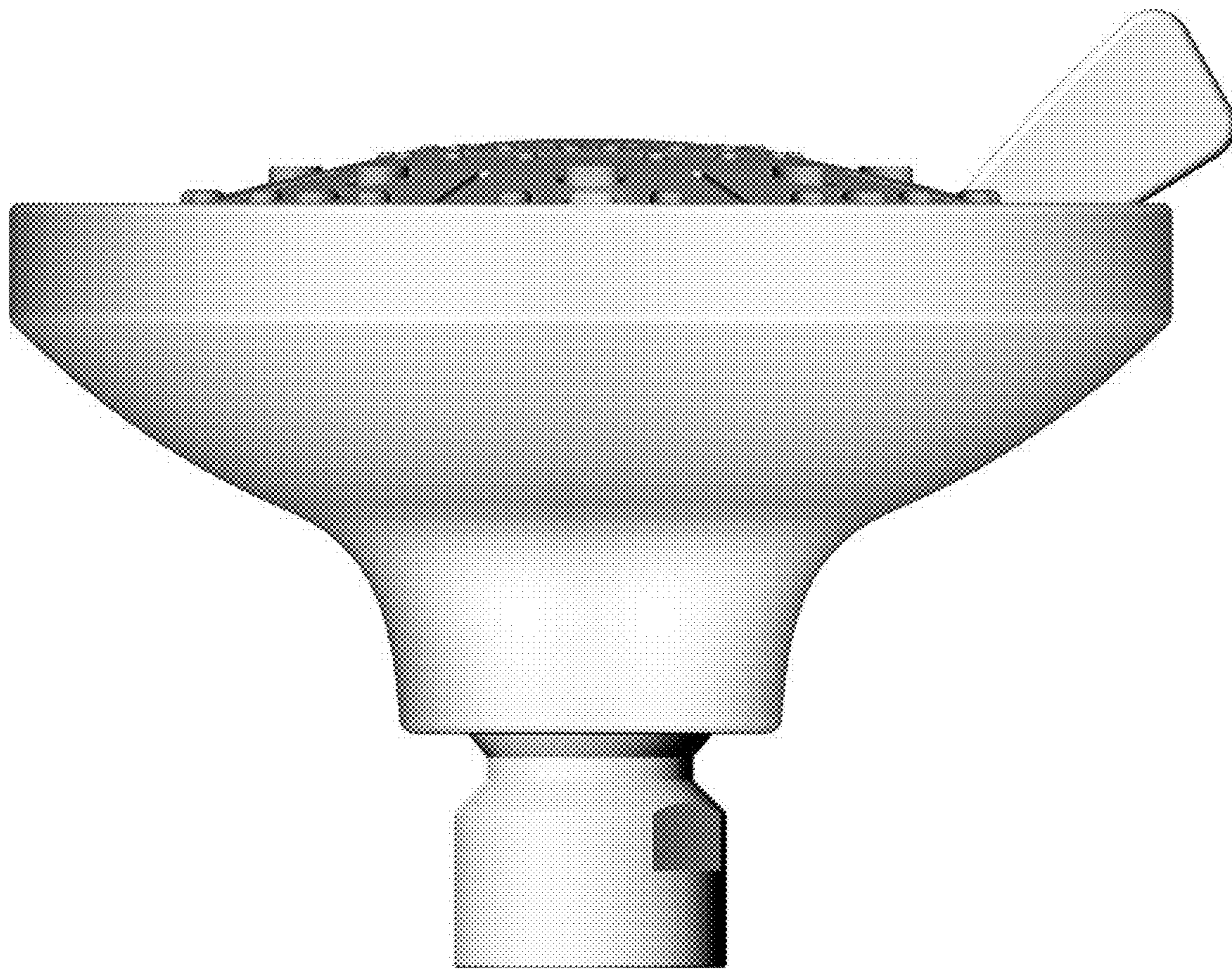


Fig. 4

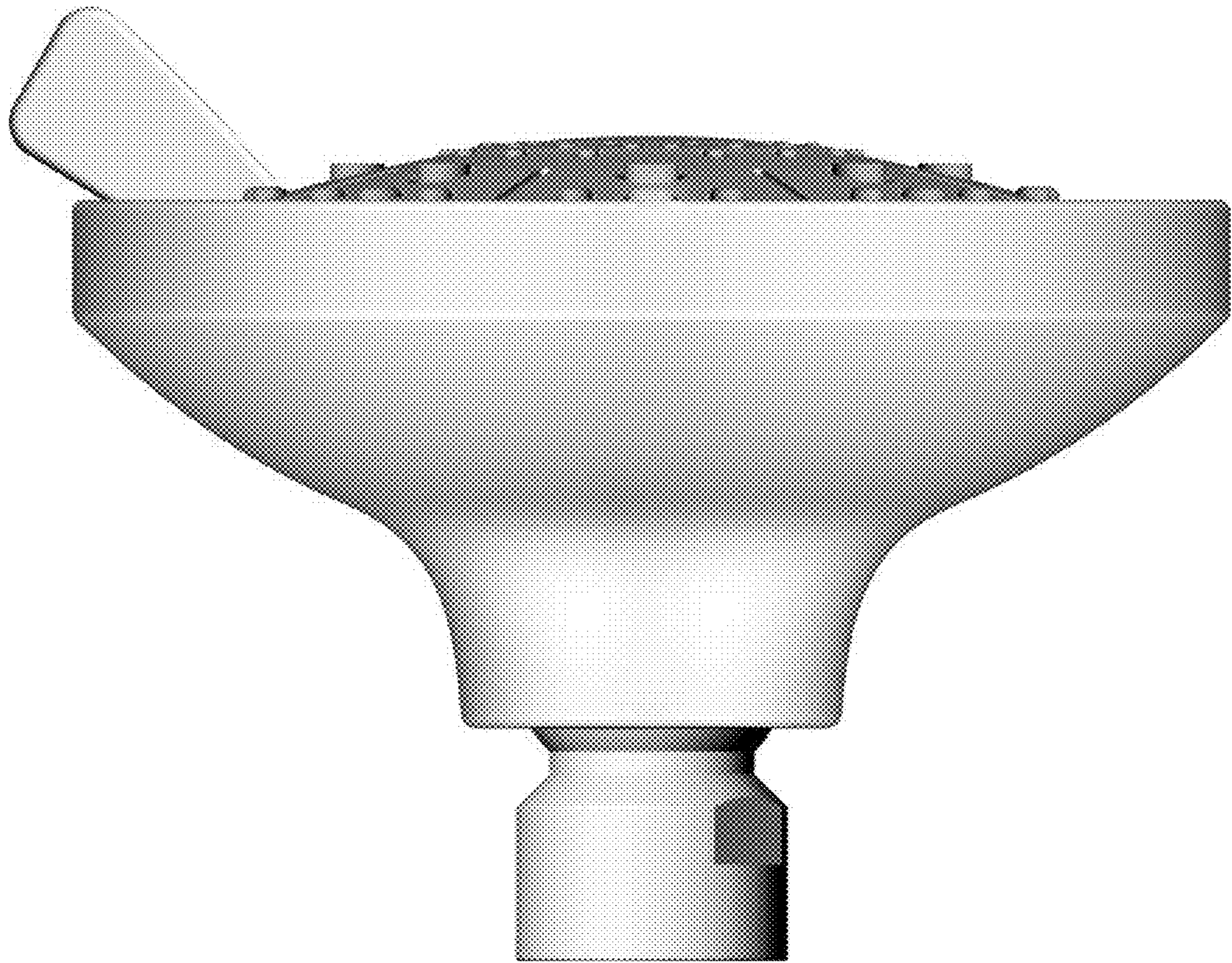


Fig. 5

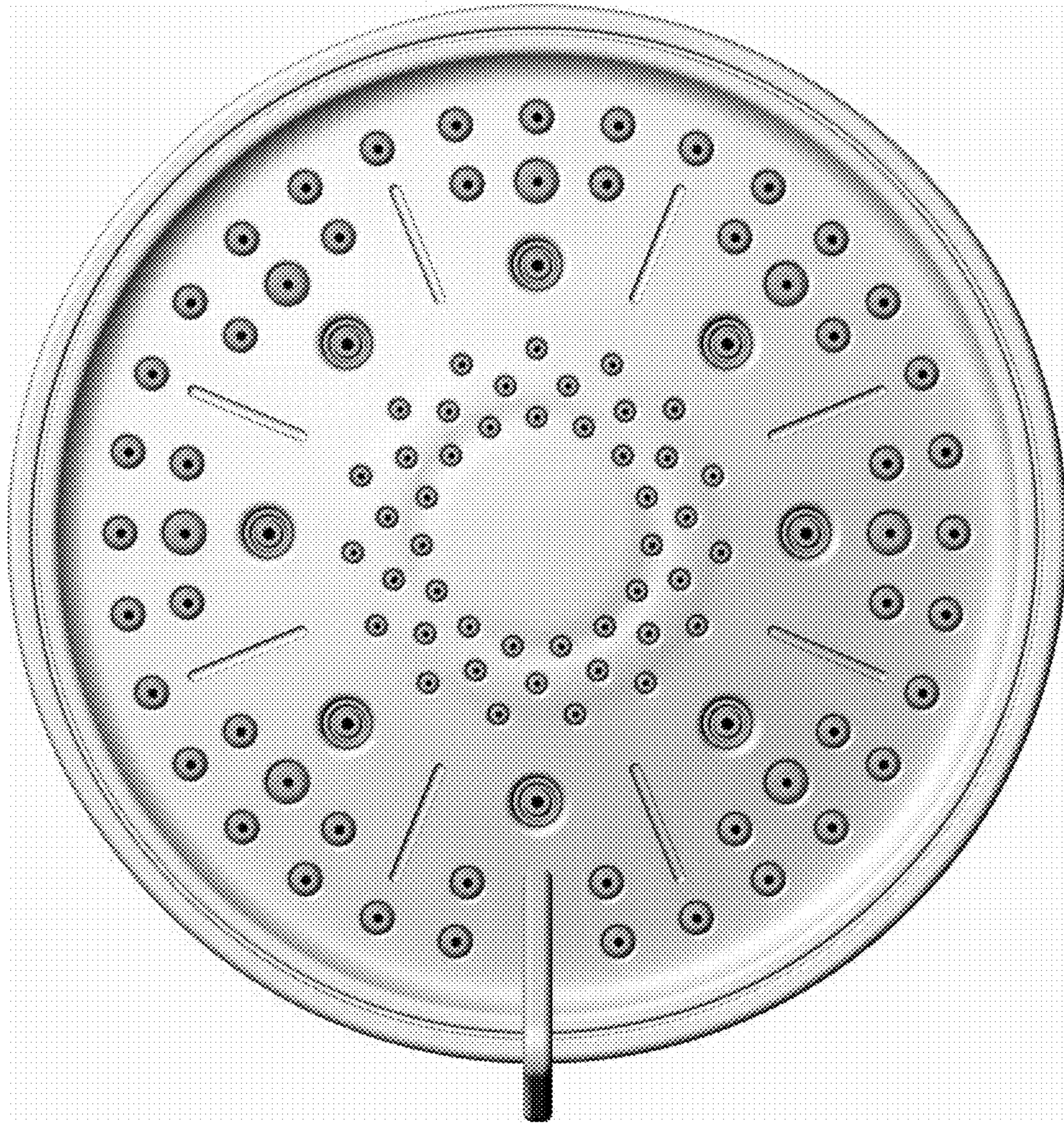


Fig. 6



Fig. 7



Fig. 8

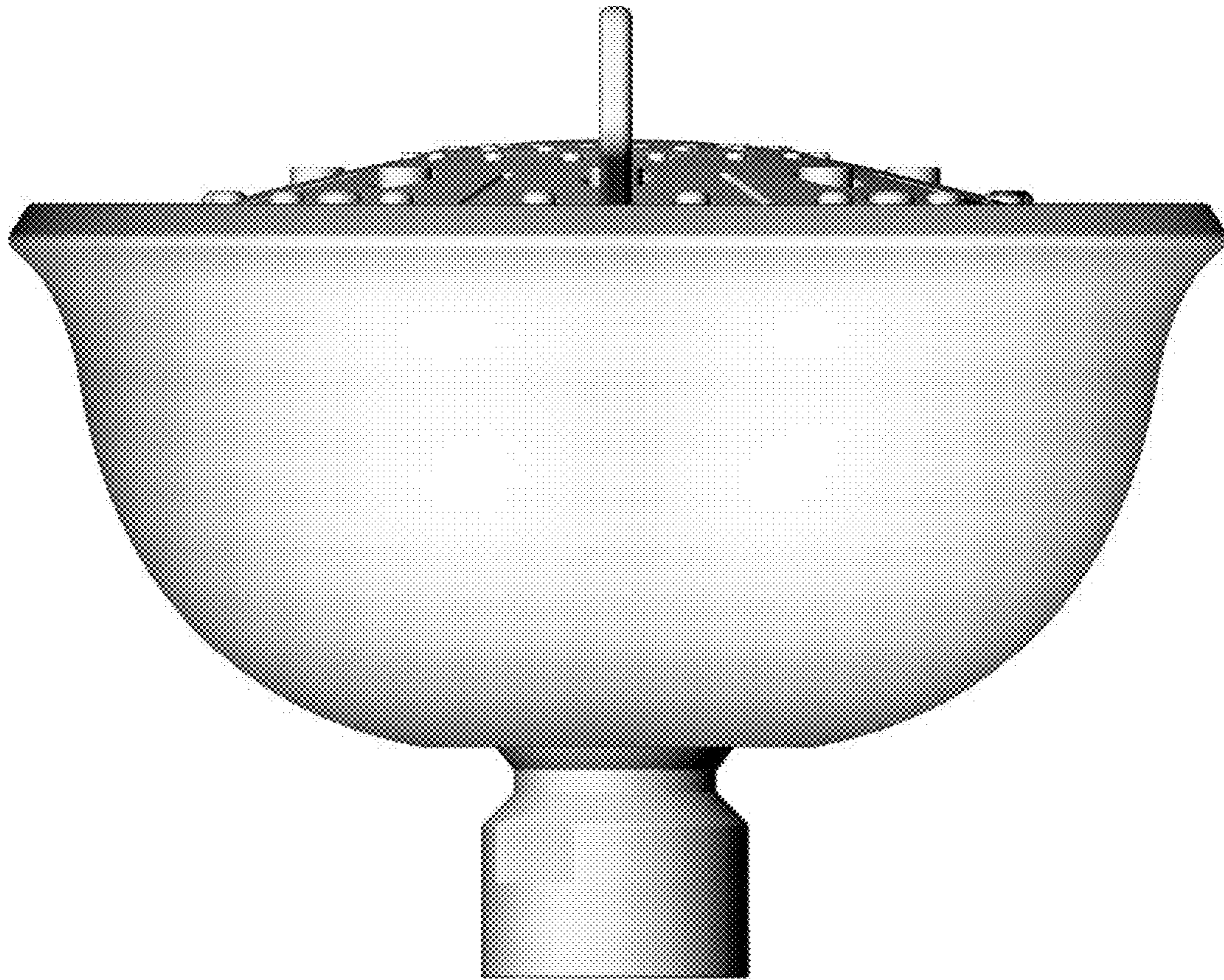


Fig. 9

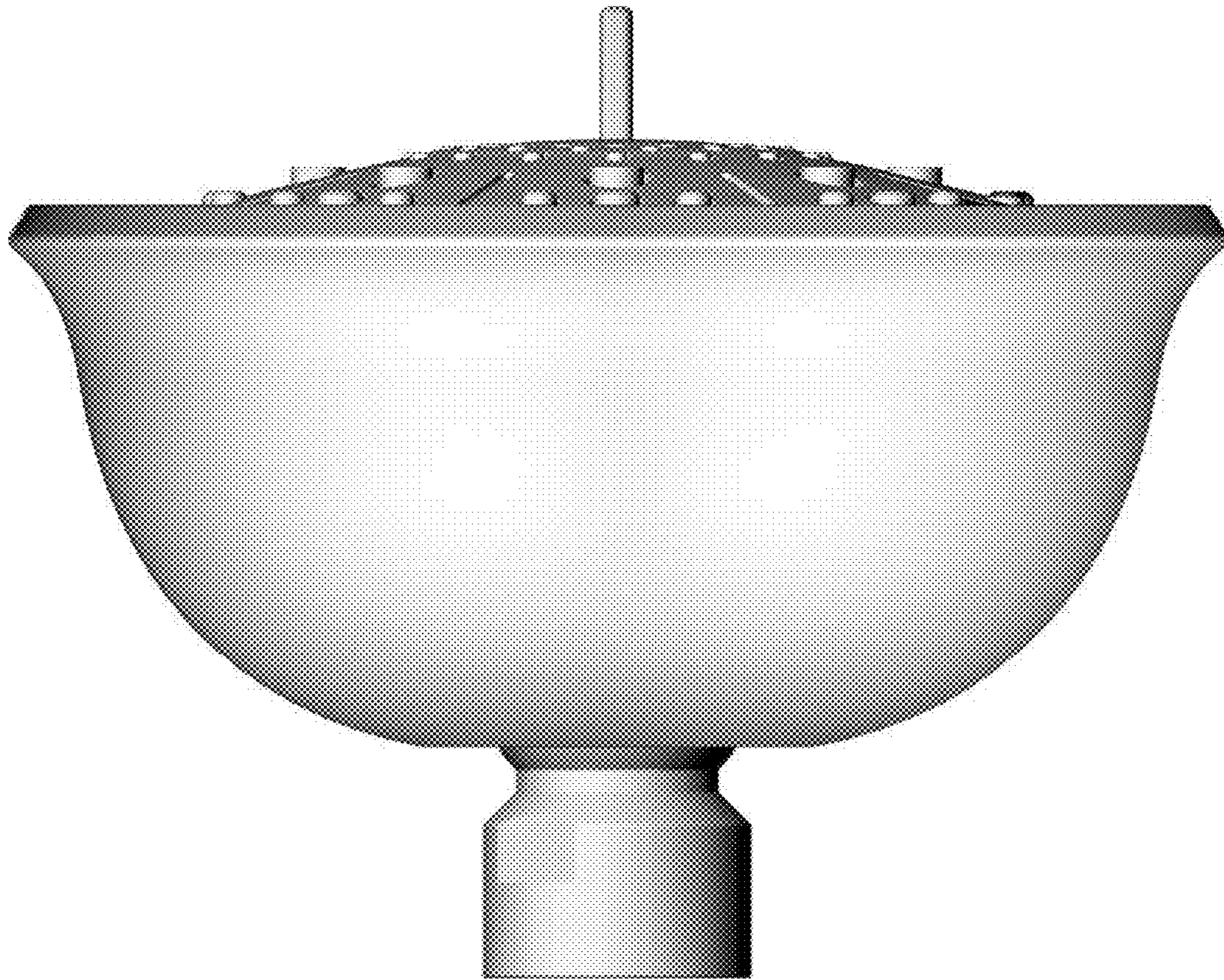


Fig. 10



Fig. 11

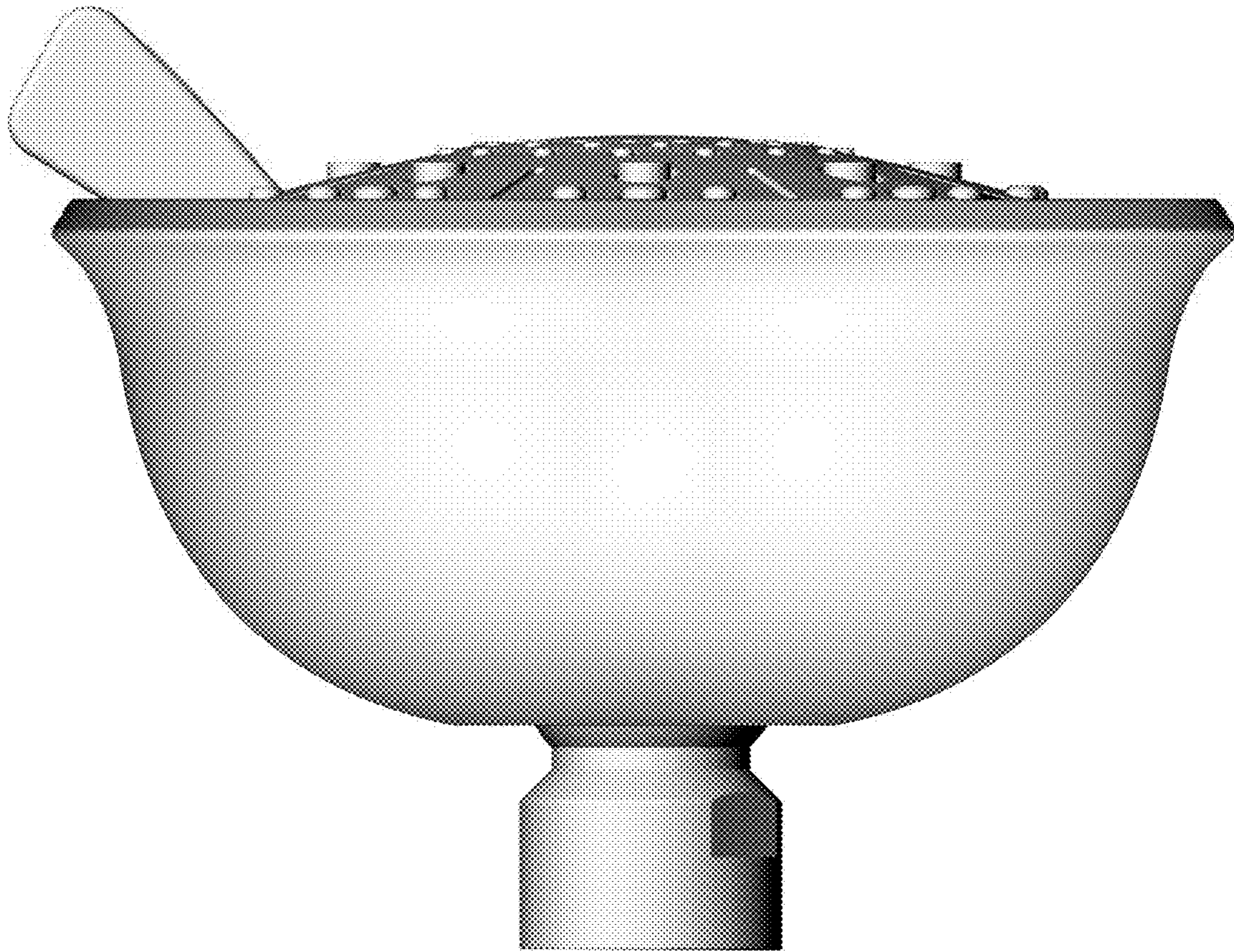


Fig. 12

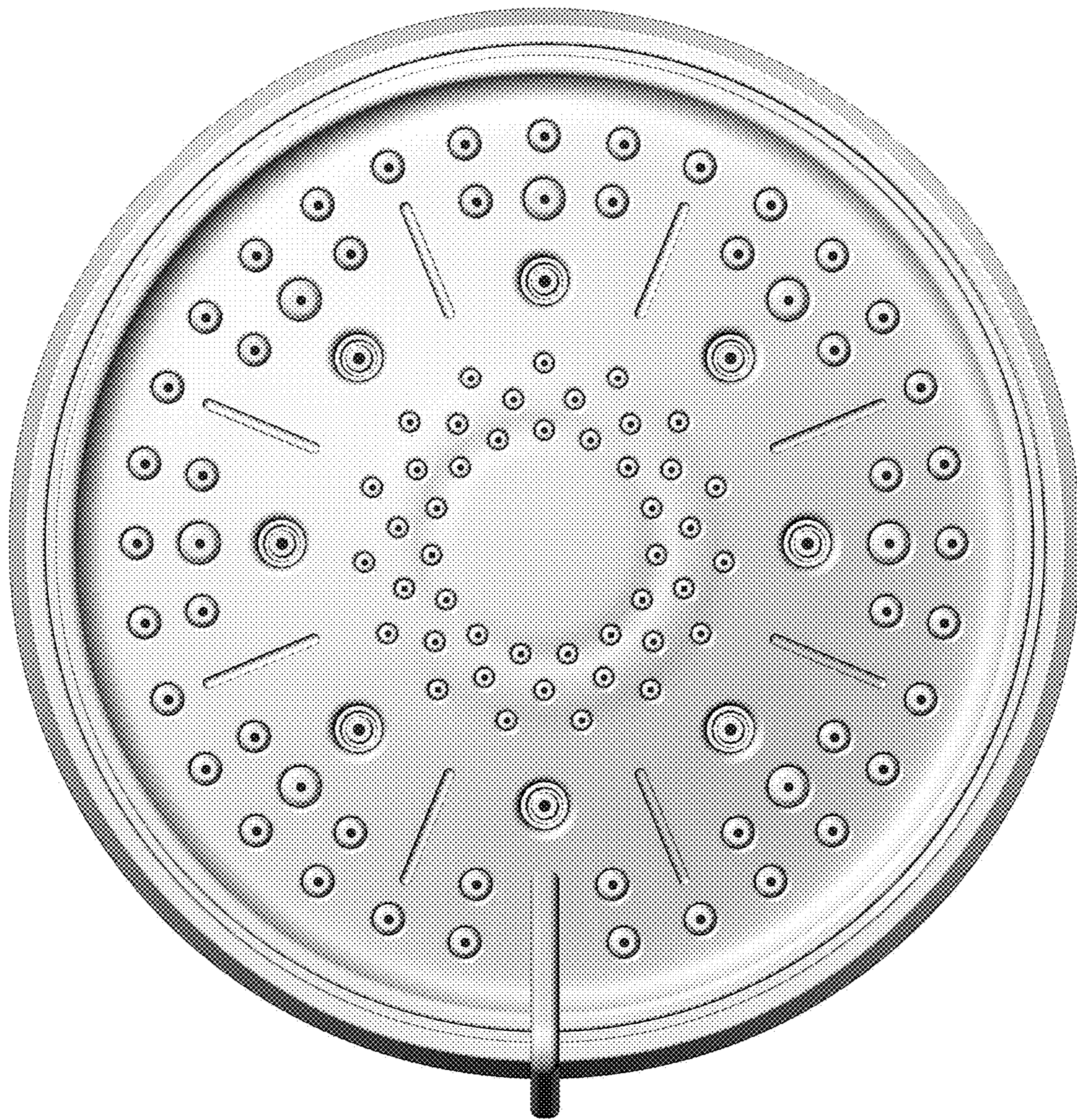


Fig. 13



Fig. 14