



US00D936177S

(12) **United States Design Patent**
Boulay et al.

(10) **Patent No.: US D936,177 S**

(45) **Date of Patent: ** Nov. 16, 2021**

(54) **LID FOR A TANK**

FOREIGN PATENT DOCUMENTS

(71) Applicants: **Worthington Cylinders Corporation**, Columbus, OH (US); **Otodata Wireless Network, Inc.**, Montreal (CA)

CN 205553906 U 9/2016
CN 207991649 U 10/2018

(Continued)

(72) Inventors: **Andre Boulay**, Ile Bizard (CA); **Adam Joseph Erwin**, Columbus, OH (US); **Michael Gaykowski**, Worthington, OH (US); **Simon Noel**, Quebec (CA); **Jennifer Marie O'Brian**, Plain City, OH (US); **Pascal Turcotte**, Quebec (CA); **Jason M. Gallovich**, Dorval (CA); **Jason Christopher Bryant**, Erie, PA (US); **Brian Jack Lowery**, Union City, PA (US)

OTHER PUBLICATIONS

Worthington Industries, SMARTLID spec sheet, (published Jan. 2021), Worthington Industries Website, URL:<https://worthingtonindustries.com/getmedia/c4bae261-78de-4959-8645-ec78d2b9c37d/35956_SmartLid_Sell_Sheet_012221_V2> (Year: 2021).*

(Continued)

Primary Examiner — Calvin E Vansant
Assistant Examiner — Mark T. Philipps

(73) Assignees: **Worthington Cylinders Corporation**, Columbus, OH (US); **Otodata Wireless Network, Inc.**, Montreal (CA)

(74) *Attorney, Agent, or Firm* — Tucker Ellis LLP; Carlos Garritano

(**) Term: **15 Years**

(57) **CLAIM**

(21) Appl. No.: **29/731,145**

The ornamental design for a lid for a tank, as shown and described.

(22) Filed: **Apr. 13, 2020**

DESCRIPTION

Related U.S. Application Data

(63) Continuation-in-part of application No. 29/719,707, filed on Jan. 7, 2020.

(51) **LOC (13) Cl.** **23-01**

(52) **U.S. Cl.**
USPC **D23/206**

(58) **Field of Classification Search**
USPC D7/362, 602, 612, 615; D9/688, 694;
D23/205–206; D15/144; D34/11

(Continued)

FIG. 1 is a top perspective view of a lid for a tank showing our new design;
FIG. 2 is a front view of the lid for a tank illustrated in FIG. 1;
FIG. 3 is a left side view of the lid for a tank illustrated in FIG. 1;
FIG. 4 is a right side view of the lid for a tank illustrated in FIG. 1;
FIG. 5 is a rear view of the lid for a tank illustrated in FIG. 1;
FIG. 6 is a top view of the lid for a tank illustrated in FIG. 1;
FIG. 7 is a bottom view of the lid for a tank illustrated in FIG. 1; and,
FIG. 8 is a bottom perspective view of the lid for a tank illustrated in FIG. 1.

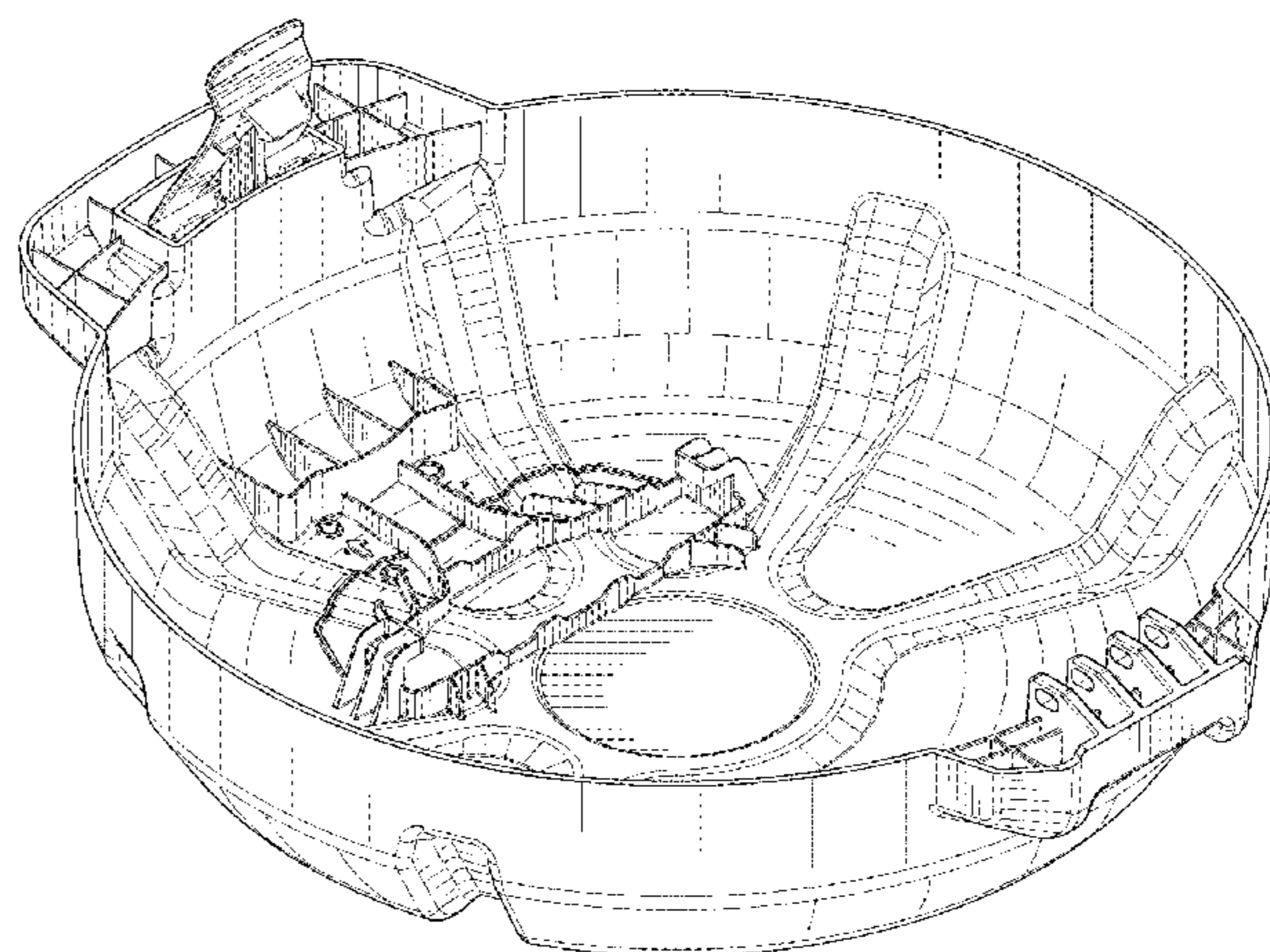
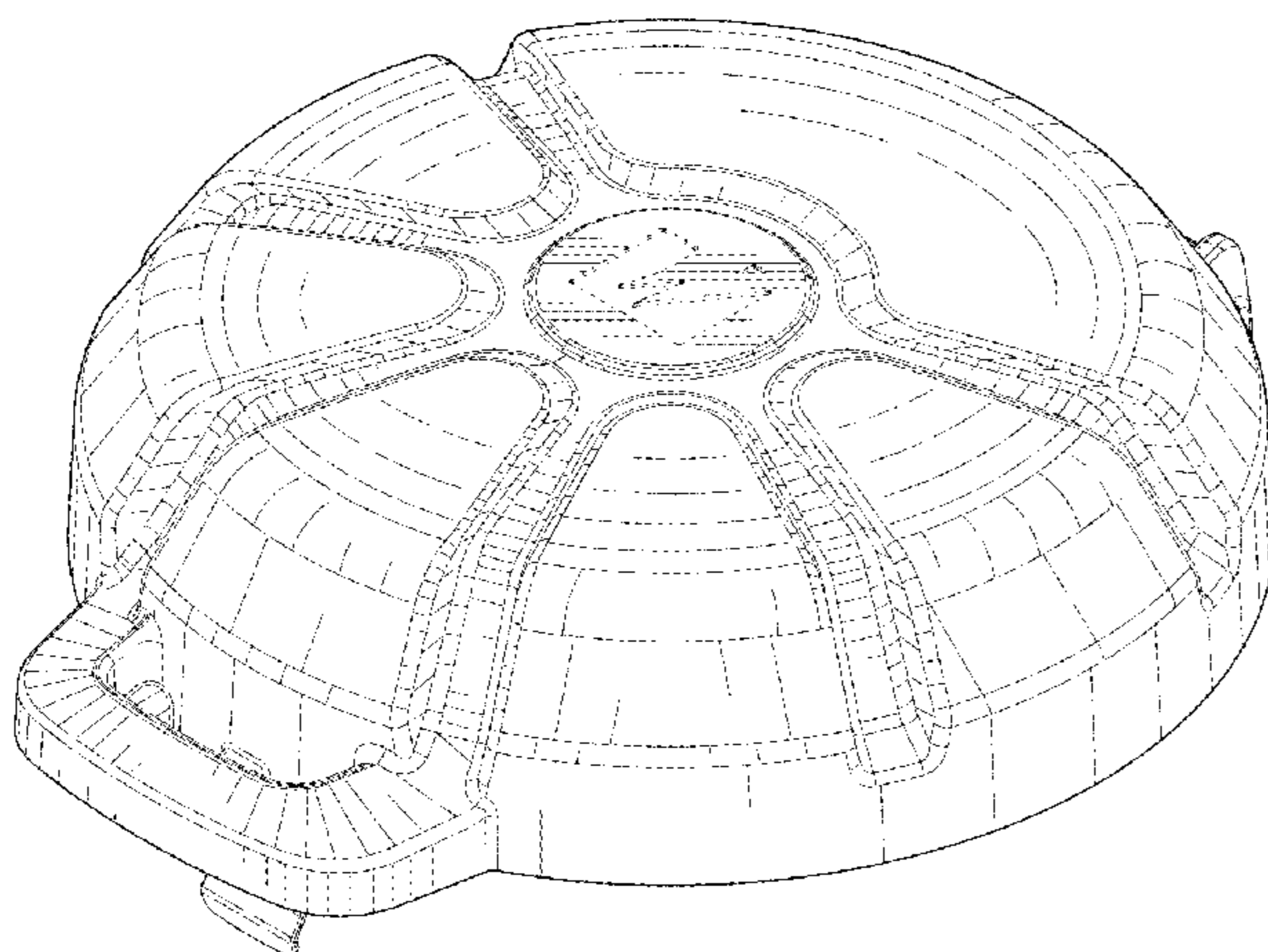
(Continued)

(56) **References Cited**

U.S. PATENT DOCUMENTS

D256,088 S * 7/1980 Gedye D34/11
D260,151 S * 8/1981 Martinec D32/31

(Continued)



The broken lines depict portions of the lid for a tank that form no part of the claimed design.

1 Claim, 8 Drawing Sheets

(58) **Field of Classification Search**

CPC B65D 1/12; B65D 77/2024; B65D 43/02;
B65D 43/0212; F16J 13/00; F17C 1/00;
F17C 13/028; F17C 13/06

See application file for complete search history.

(56) **References Cited**

U.S. PATENT DOCUMENTS

4,375,862 A * 3/1983 Kurinsky B65D 43/0212
220/293
5,085,340 A * 2/1992 Doxey B65D 43/0231
220/298
D337,774 S * 7/1993 Schillinger D15/150
D351,706 S * 10/1994 Breen D34/11
D381,162 S * 7/1997 Berend D34/11
5,894,953 A * 4/1999 Ramirez B65D 51/1627
220/785
D418,655 S * 1/2000 Conti D34/11
6,662,649 B1 12/2003 Knight et al.
6,891,513 B2 5/2005 Kienzle et al.
D609,774 S * 2/2010 Ryman D23/206
D617,459 S * 6/2010 Bogue D24/155
D649,099 S * 11/2011 Nakamura D12/197
D665,491 S * 8/2012 Goel D23/386
D699,106 S * 2/2014 Glaser D9/456
8,720,738 B1 * 5/2014 Ryman F17C 13/06
220/724
D753,431 S * 4/2016 Garman D7/352
D755,002 S * 5/2016 Garman D7/352
D756,280 S * 5/2016 Davito D12/197

D807,108 S * 1/2018 Borovicka D7/362
2008/0083061 A1 * 4/2008 Dubiel A47K 11/06
4/484
2008/0169289 A1 * 7/2008 Dawn B65F 1/1615
220/315
2010/0037673 A1 2/2010 Wicht et al.
2010/0070208 A1 3/2010 Sai
2010/0070209 A1 3/2010 Sai
2010/0241369 A1 9/2010 Wicht et al.
2011/0024418 A1 * 2/2011 Batson B65D 90/585
220/211
2011/0163910 A1 7/2011 Sai
2011/0278316 A1 * 11/2011 Herzer F17C 13/06
220/727
2012/0232777 A1 9/2012 Elkaim et al.
2013/0261996 A1 10/2013 Perten
2013/0269430 A1 10/2013 Mauduit et al.
2014/0217096 A1 * 8/2014 Simpson B65D 43/0212
220/212.5
2014/0246432 A1 * 9/2014 Yang B65D 43/262
220/262
2016/0150899 A1 * 6/2016 Onza B65D 43/0212
220/253
2016/0200601 A1 7/2016 Clark
2018/0304742 A1 10/2018 Maruthapillai
2020/0010269 A1 * 1/2020 Copp B65F 1/1607

FOREIGN PATENT DOCUMENTS

CN 209684493 U 11/2019
WO 2009121169 A1 10/2009
WO 2014145337 A2 9/2014

OTHER PUBLICATIONS

International Search Report and Written Opinion, dated Jun. 23, 2020 in relation to International Application No. PCT/US2020/012541.

* cited by examiner

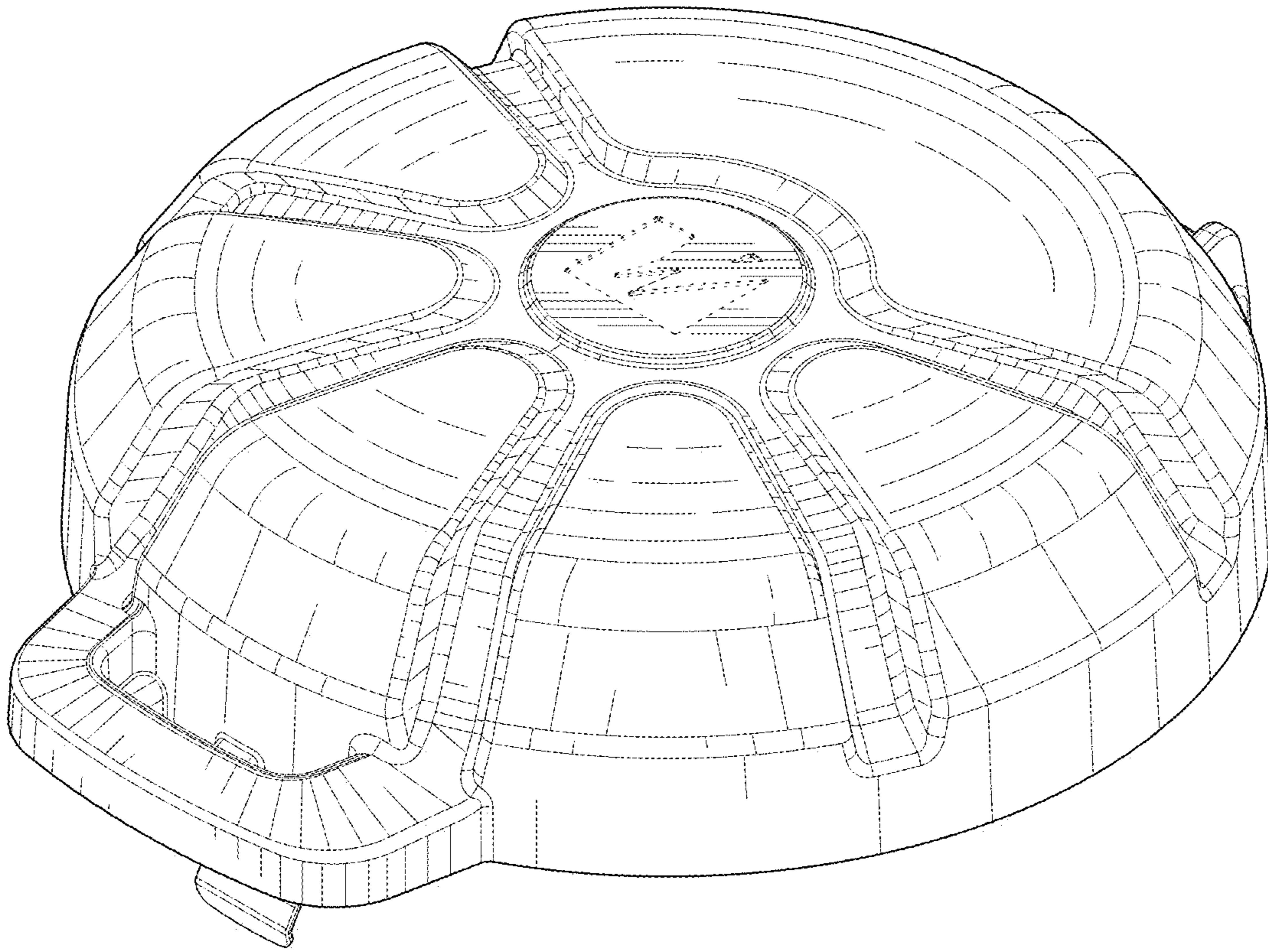


FIG.1

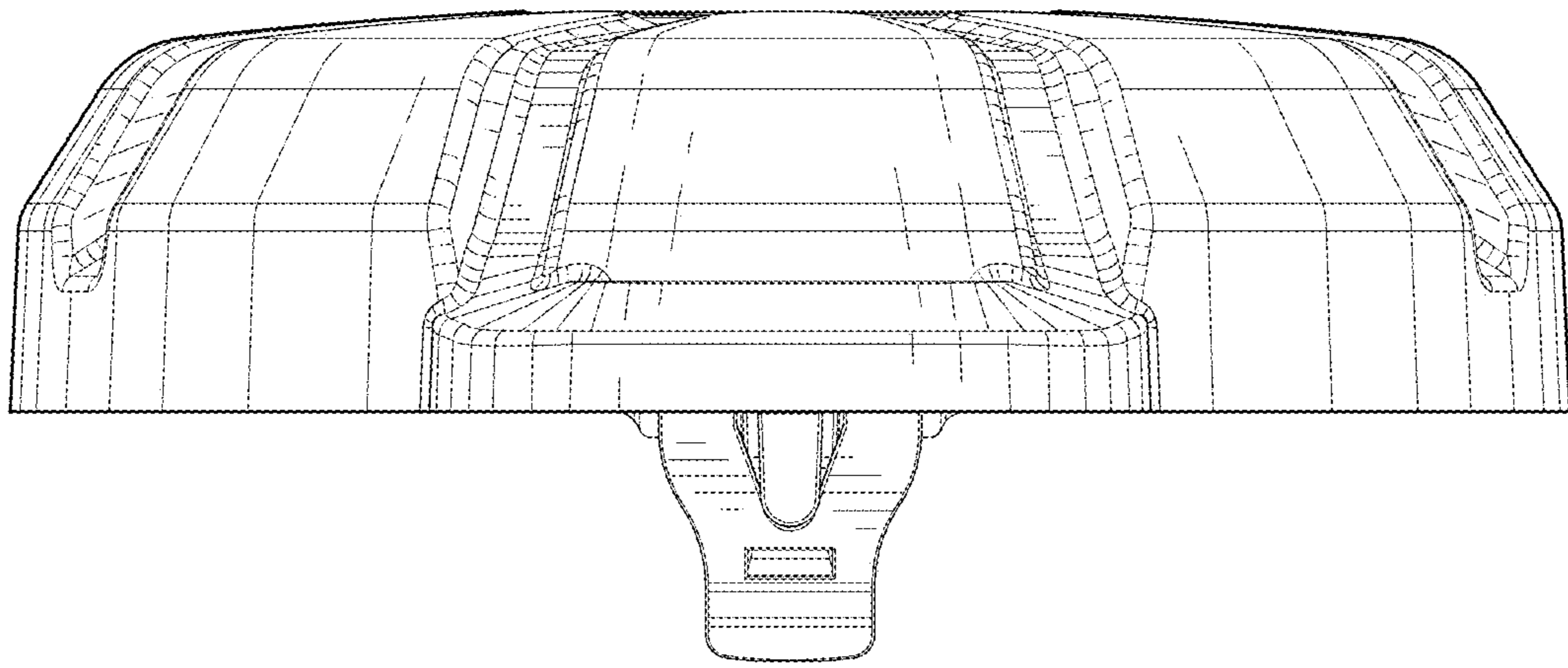


FIG. 2

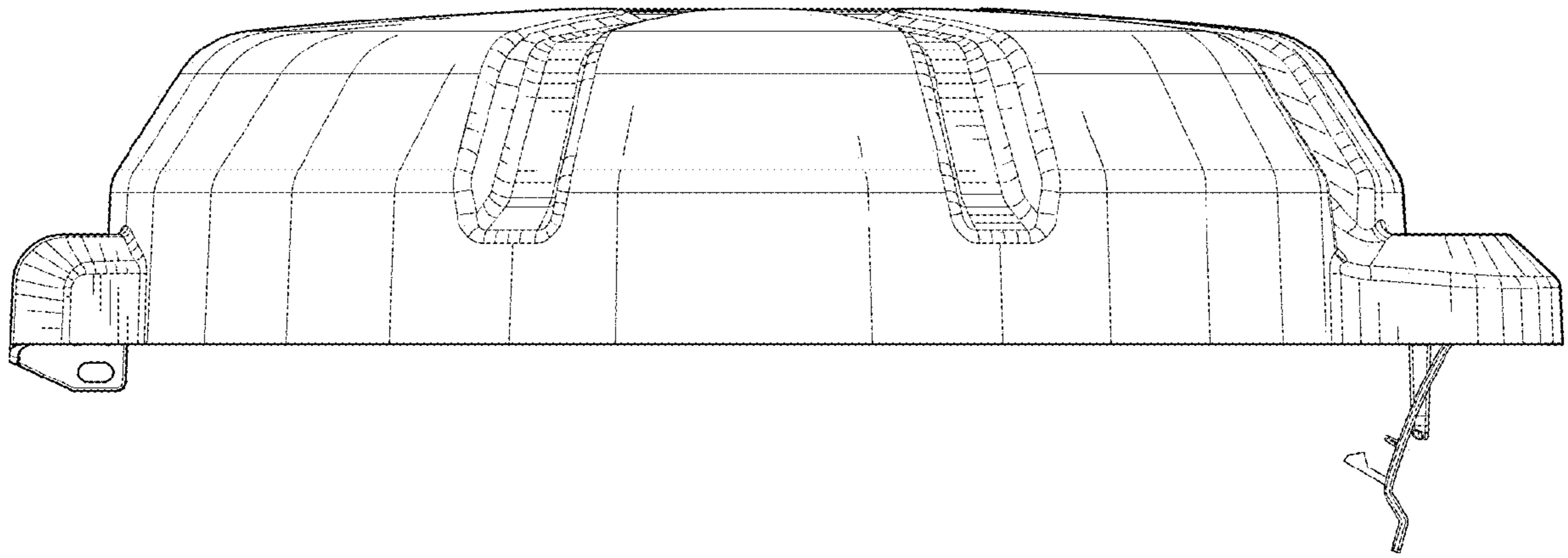


FIG.3

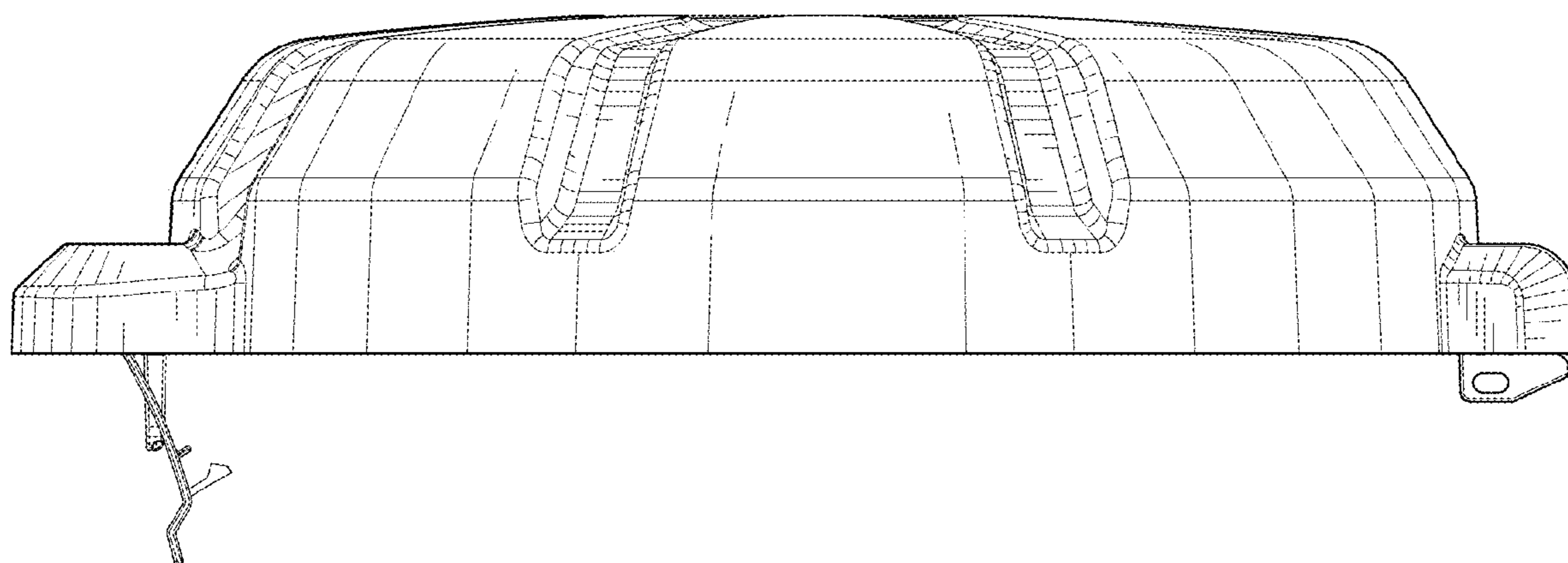


FIG.4

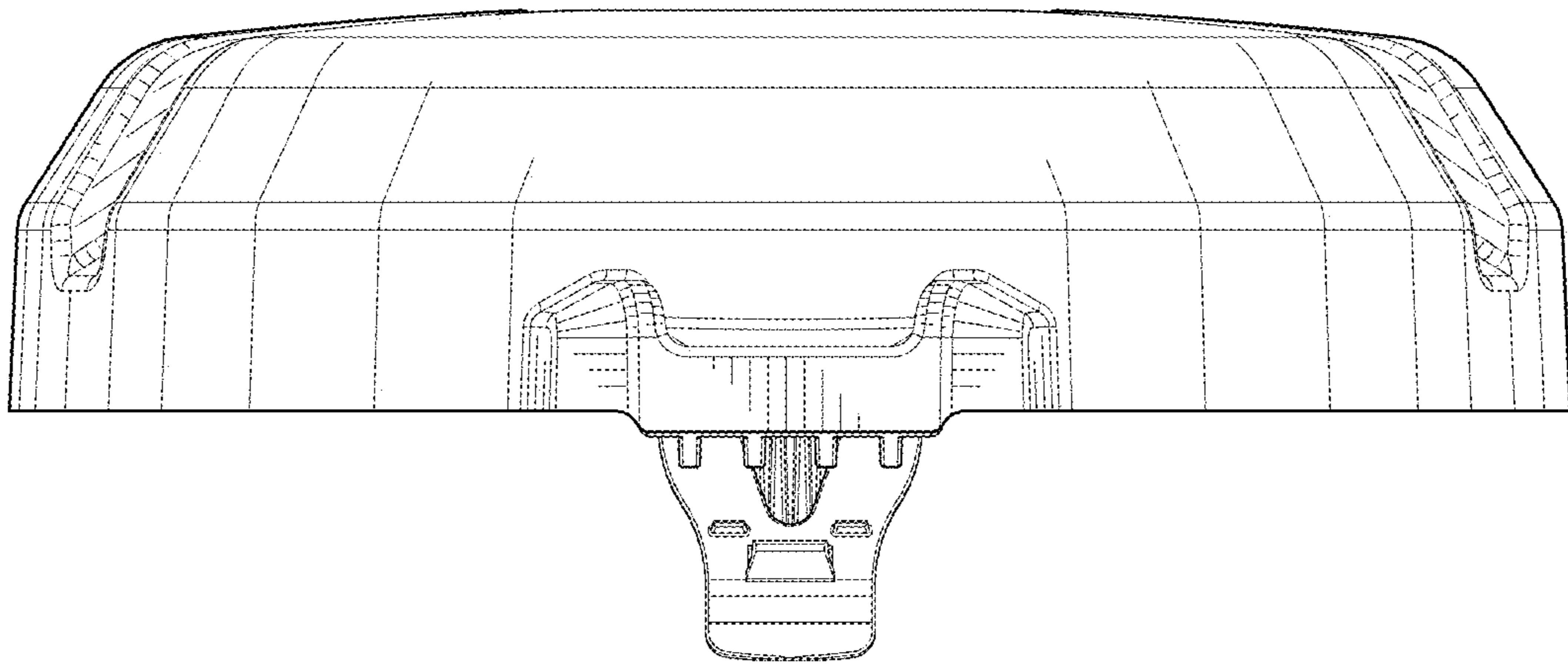


FIG.5

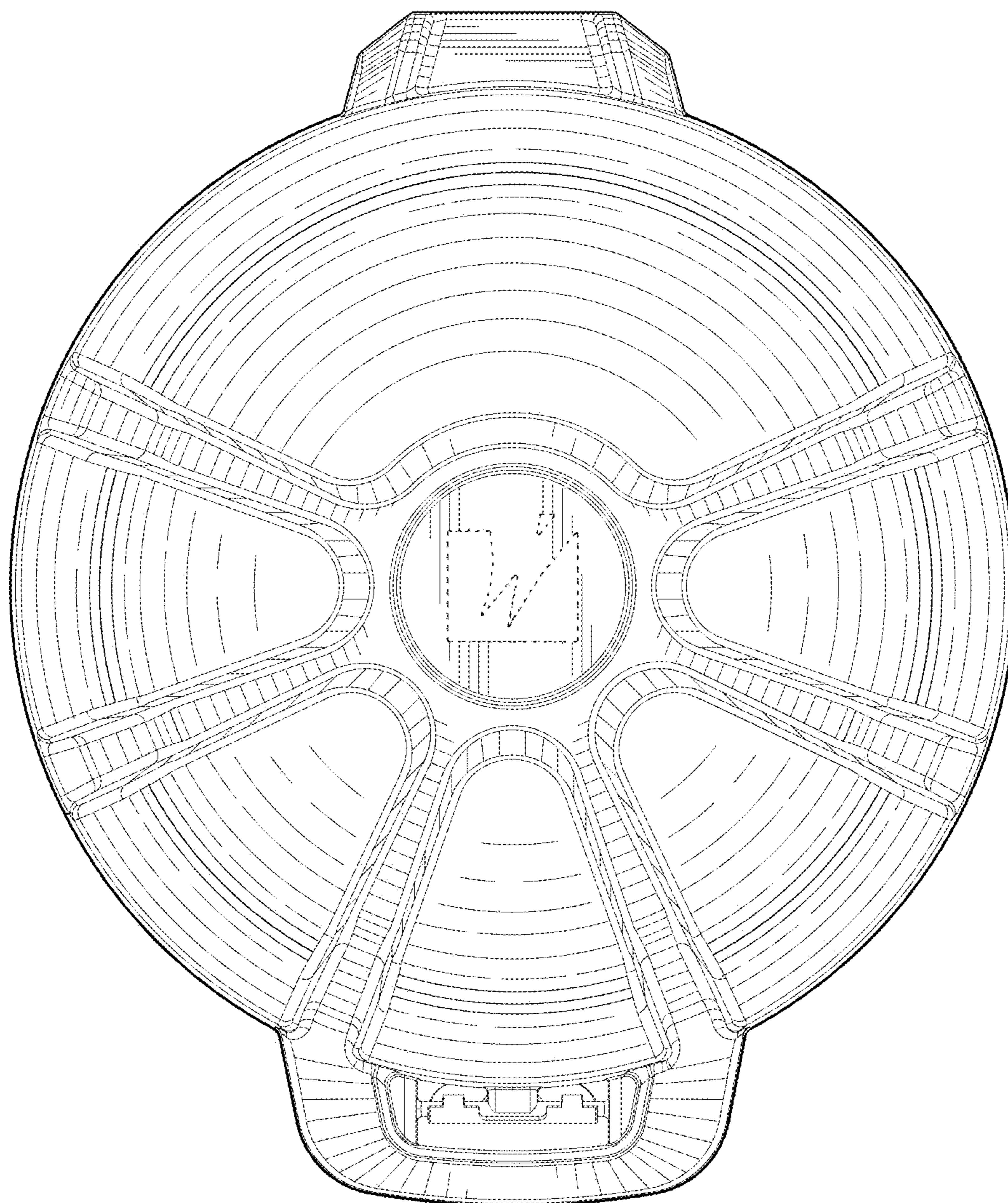


FIG.6

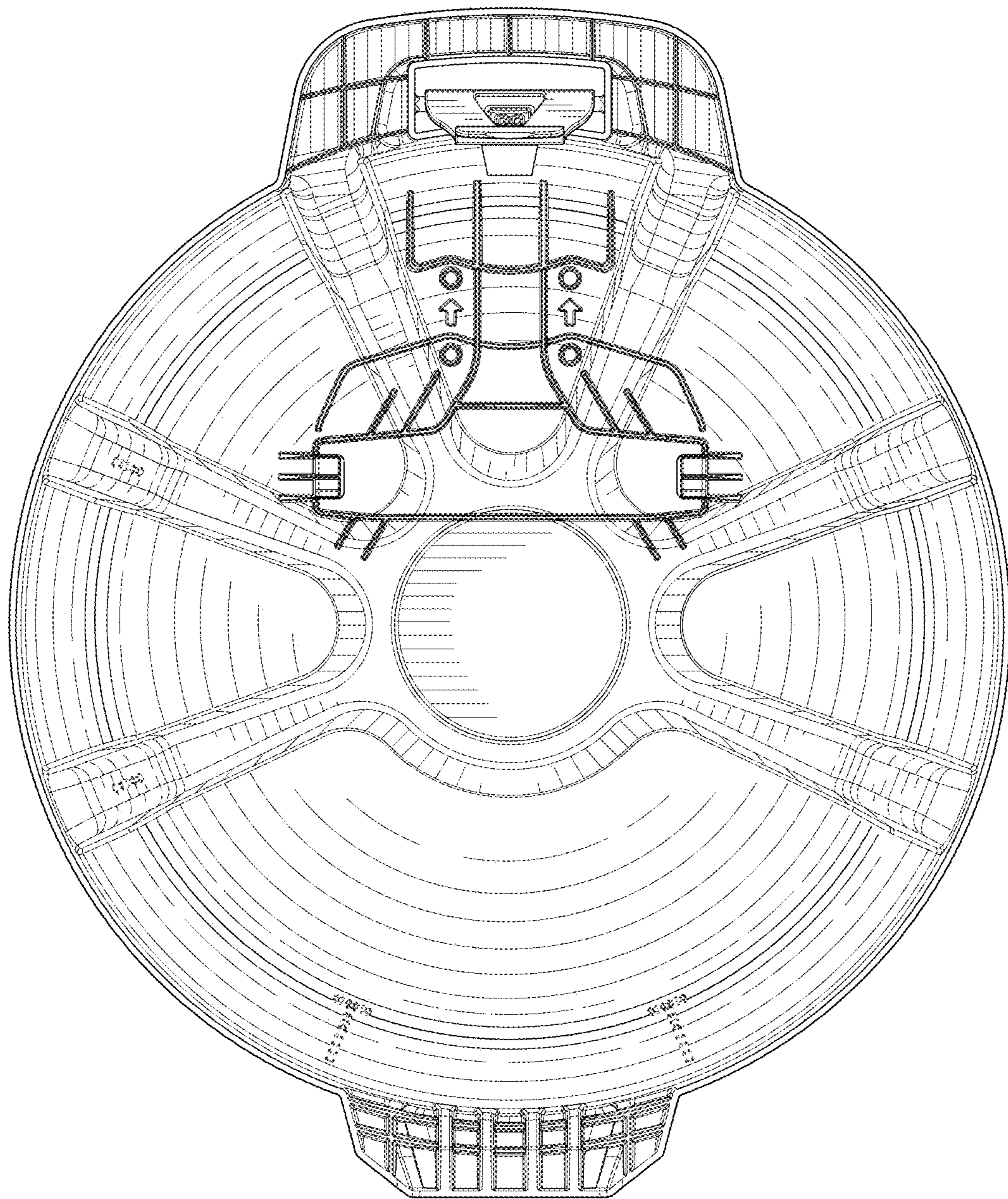


FIG.7

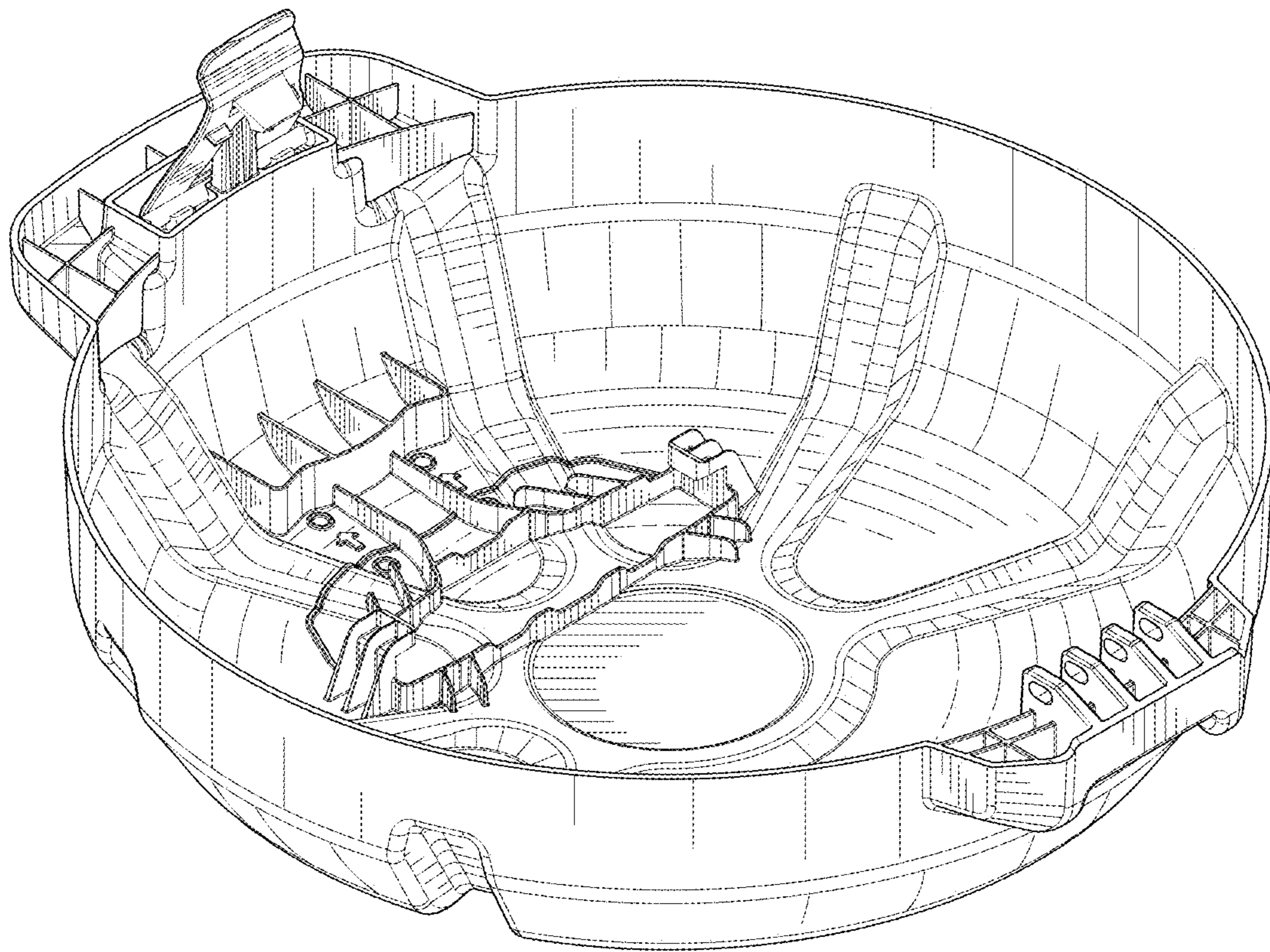


FIG.8