



US00D936176S

(12) **United States Design Patent** (10) **Patent No.:** **US D936,176 S**
Ward et al. (45) **Date of Patent:** **** Nov. 16, 2021**

- (54) **SUBMERSIBLE PUMP CAGE**
- (71) Applicant: **Logical Concepts, Inc.**, Indianapolis, IN (US)
- (72) Inventors: **Thomas Owen Ward**, Greenwood, IN (US); **Gage Herbert Wilkinson**, Indianapolis, IN (US)
- (73) Assignee: **LOGICAL CONCEPTS, INC.**, Indianapolis, IN (US)
- (**) Term: **15 Years**
- (21) Appl. No.: **29/701,528**
- (22) Filed: **Aug. 12, 2019**
- (51) **LOC (13) Cl.** **23-01**
- (52) **U.S. Cl.**
USPC **D23/206**
- (58) **Field of Classification Search**
USPC D23/200–207, 209–210, 231, 233, 249, D23/259–262, 266–268; D15/7, 8
CPC F04C 13/008; F04C 2240/30; F04D 13/08; F04D 29/426; F04D 29/708
See application file for complete search history.

(56) **References Cited**

U.S. PATENT DOCUMENTS

4,021,145	A *	5/1977	Pepper	F04D 7/02
					417/40
D439,303	S *	3/2001	Peddicord	D23/207
D492,324	S *	6/2004	Stevens	D15/7
D517,163	S *	3/2006	Pesakovich	D23/209
D607,014	S *	12/2009	Stimpson	D15/7
D673,243	S *	12/2012	Bryan	D23/209
D673,655	S *	1/2013	Morishita	D23/259
D693,371	S *	11/2013	Orsini	D15/7
8,956,130	B2 *	2/2015	Buzit	F04D 13/068
					417/423.3
D752,179	S *	3/2016	Lu	D23/209
D761,938	S *	7/2016	Piter	D23/233

2002/0192071	A1 *	12/2002	Pages	Pages	F04D 29/426
						415/58.4
2006/0093492	A1 *	5/2006	Janesky	F04D 29/708	
						417/366
2007/0183905	A1 *	8/2007	Hoffmeier	F04D 29/4293	
						417/279
2009/0116984	A1 *	5/2009	Ballu	F04D 15/00	
						417/423.3
2011/0150676	A1 *	6/2011	Buzit	F04D 13/14	
						417/410.1
2011/0206497	A1 *	8/2011	Pasquesi	F04D 13/08	
						415/121.2
2016/0265536	A1 *	9/2016	Davis	F04D 13/08	
						(Continued)

OTHER PUBLICATIONS

“FREESEA Submersible Water Pump”, Dec. 25, 2017, Amazon, site visited Jul. 6, 2021: <https://www.amazon.com/dp/B078LWBQF9/> (Year: 2017).*

(Continued)

Primary Examiner — Jack Reickel
Assistant Examiner — Bobby W Jones, II
(74) *Attorney, Agent, or Firm* — Crowell & Moring LLP

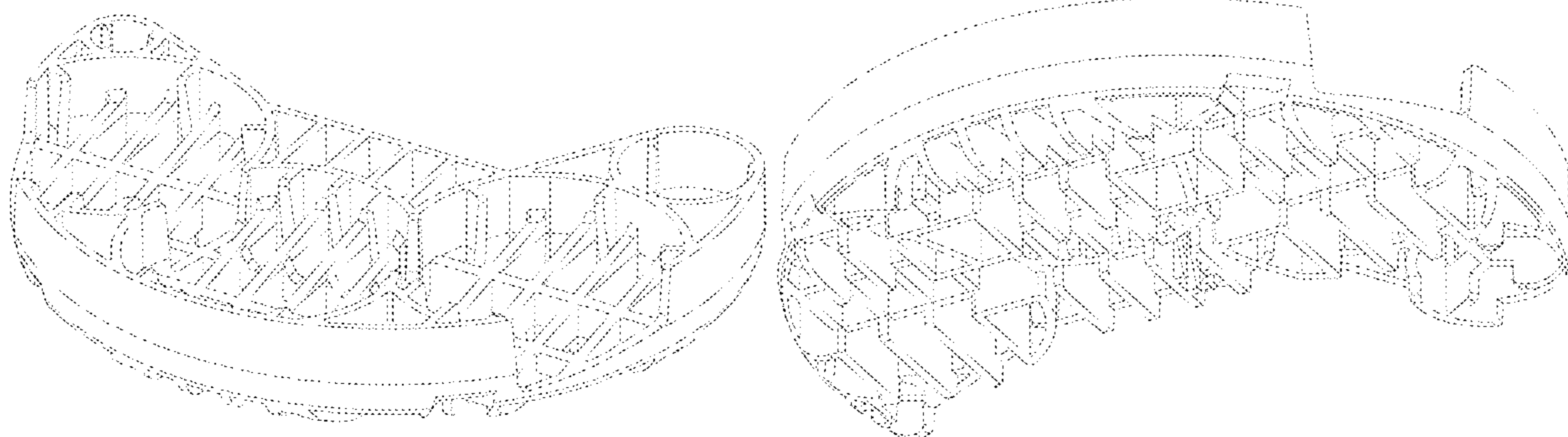
(57) **CLAIM**

We claim the ornamental design for a submersible pump cage, as shown and described.

DESCRIPTION

FIG. 1 is a top perspective view of a submersible pump cage. FIG. 2 is a bottom perspective view thereof. FIG. 3 is a front elevation view thereof. FIG. 4 is a right side elevation view thereof. FIG. 5 is a left side elevation view thereof. FIG. 6 is a rear elevation view thereof. FIG. 7 is a top plan view thereof; and, FIG. 8 is a bottom plan thereof.

1 Claim, 8 Drawing Sheets



(56)

References Cited

U.S. PATENT DOCUMENTS

2017/0030371 A1* 2/2017 Wilds F04D 29/708
2018/0291894 A1* 10/2018 Mohapatra F01M 1/02
2018/0355722 A1* 12/2018 Watanabe F04C 18/02
2018/0363659 A1* 12/2018 Mikkelsen F04D 29/426
2019/0093660 A1* 3/2019 Pemberton F04D 1/006
2019/0154039 A1* 5/2019 Wang F04D 29/007
2019/0353156 A1* 11/2019 Ward F04B 49/08
2021/0163189 A1* 6/2021 Genord E03F 5/22

OTHER PUBLICATIONS

“Zoeller Pump Stand”, Apr. 20, 2011, Amazon, site visited Jul. 6,
2021: <https://www.amazon.com/dp/B004XBRFYG/> (Year: 2011).*

* cited by examiner

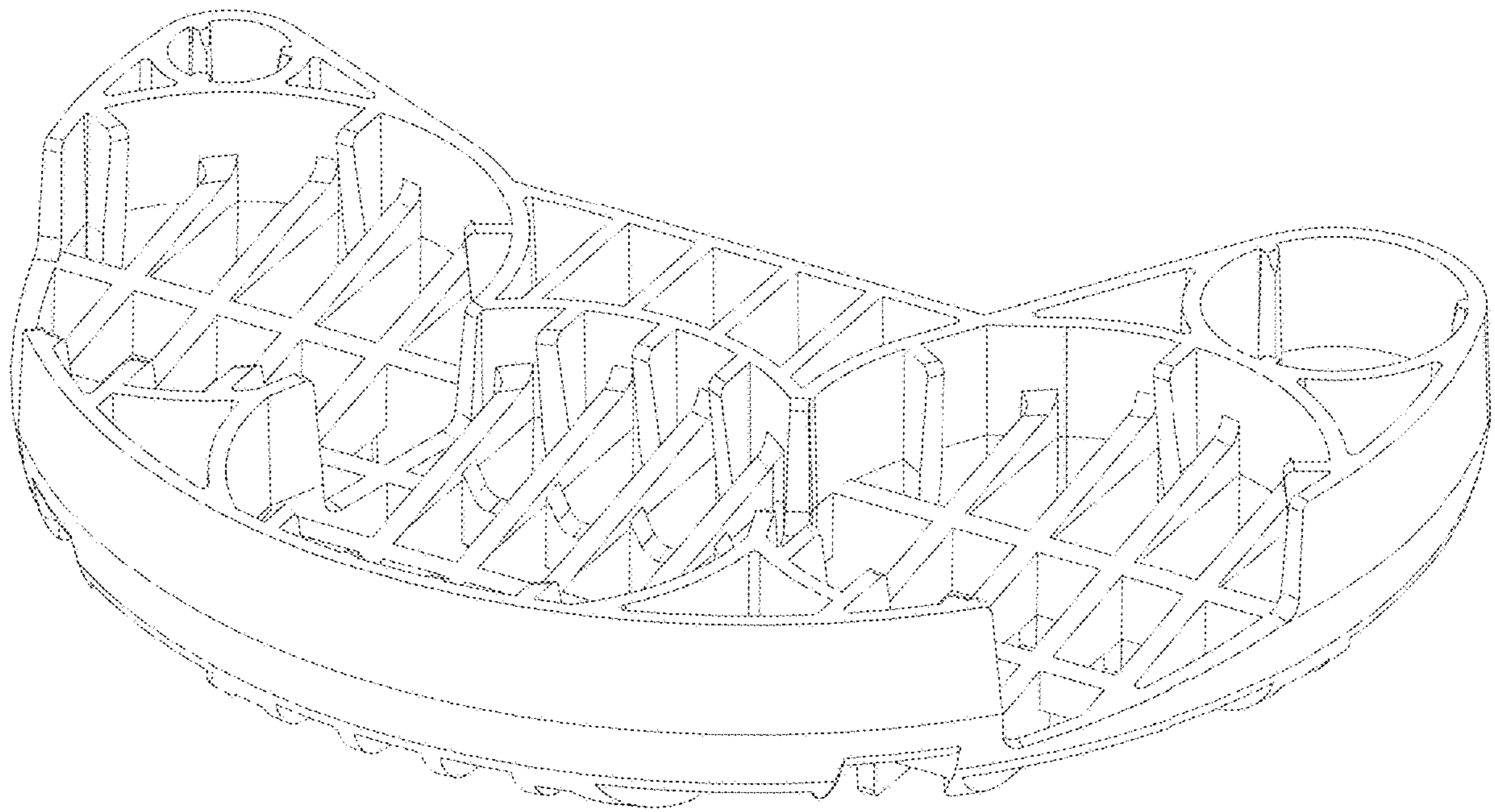


FIG. 1

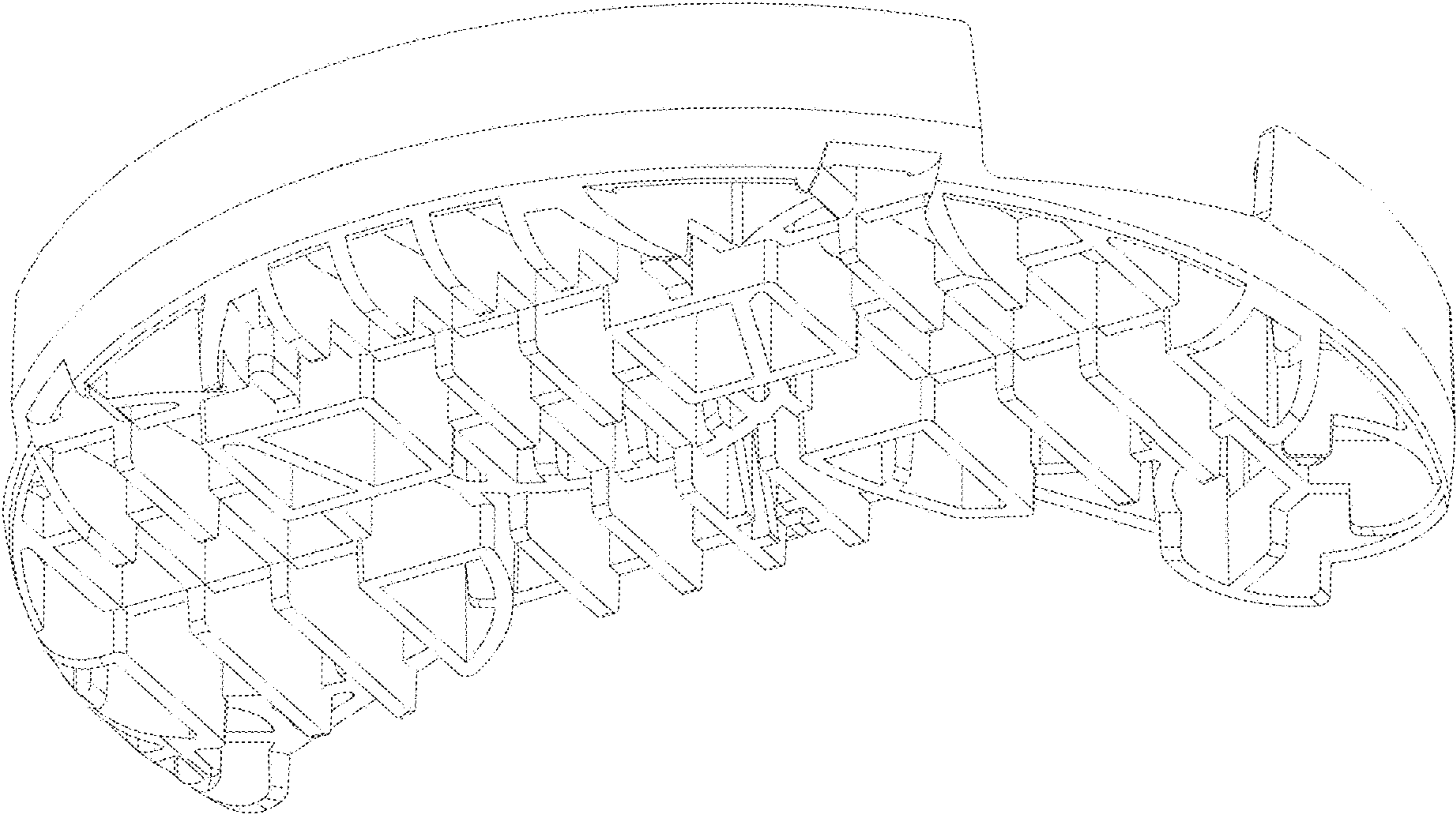


FIG. 2

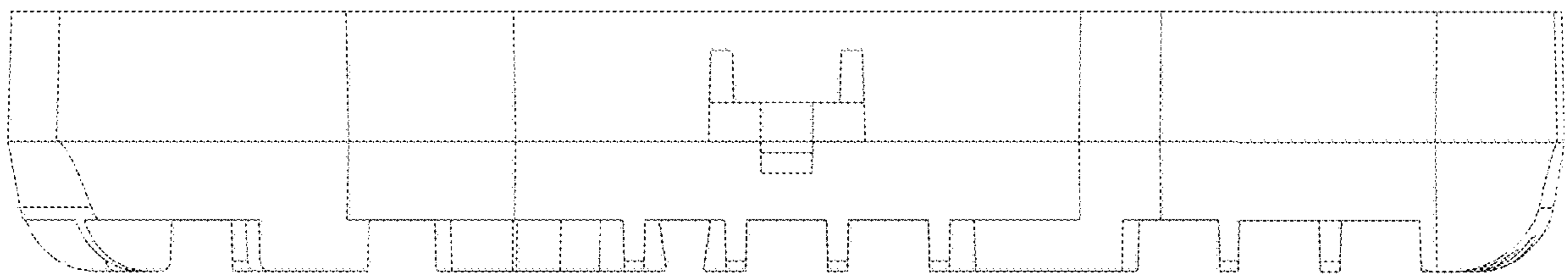


FIG. 3

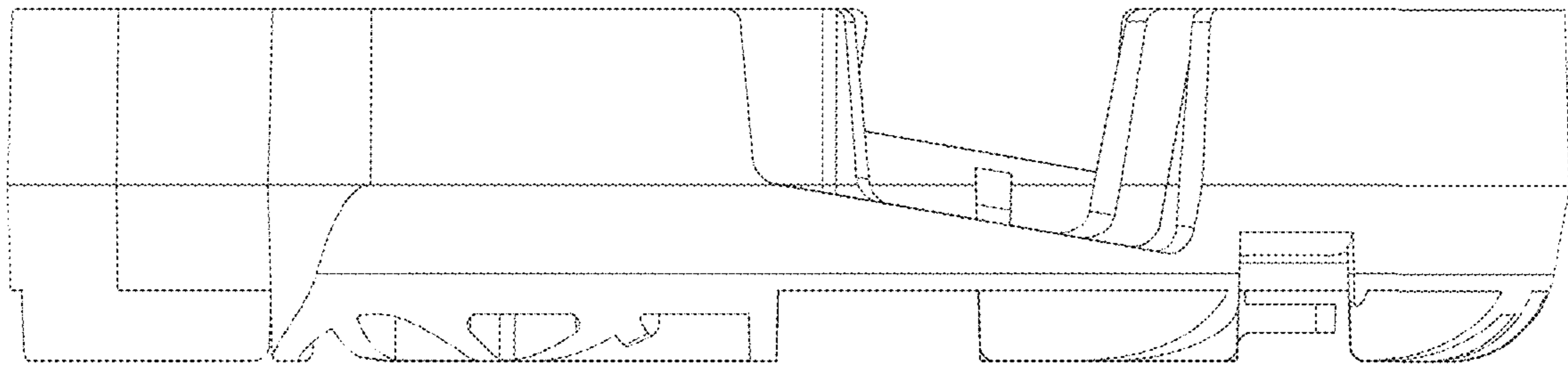


FIG. 4

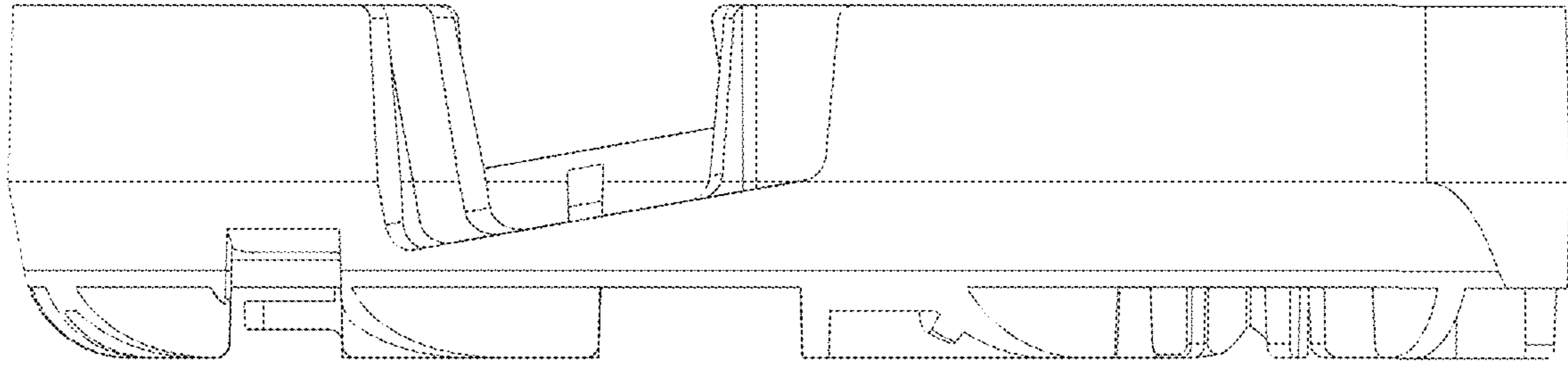


FIG. 5

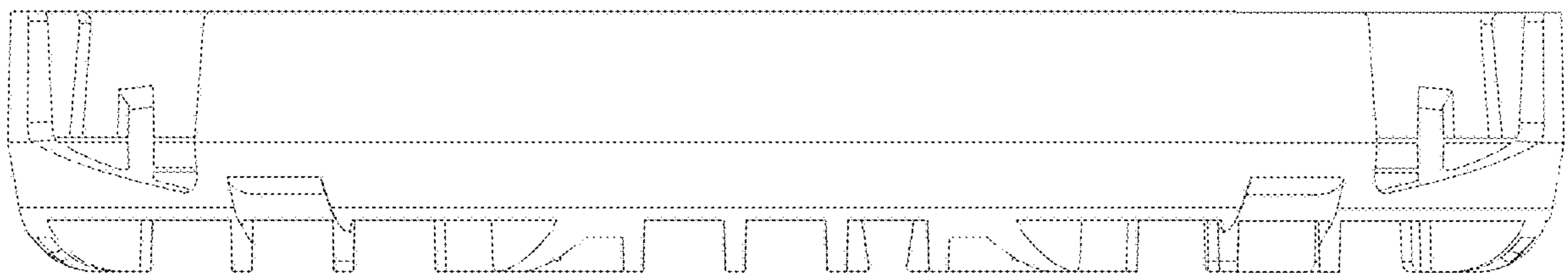


FIG. 6

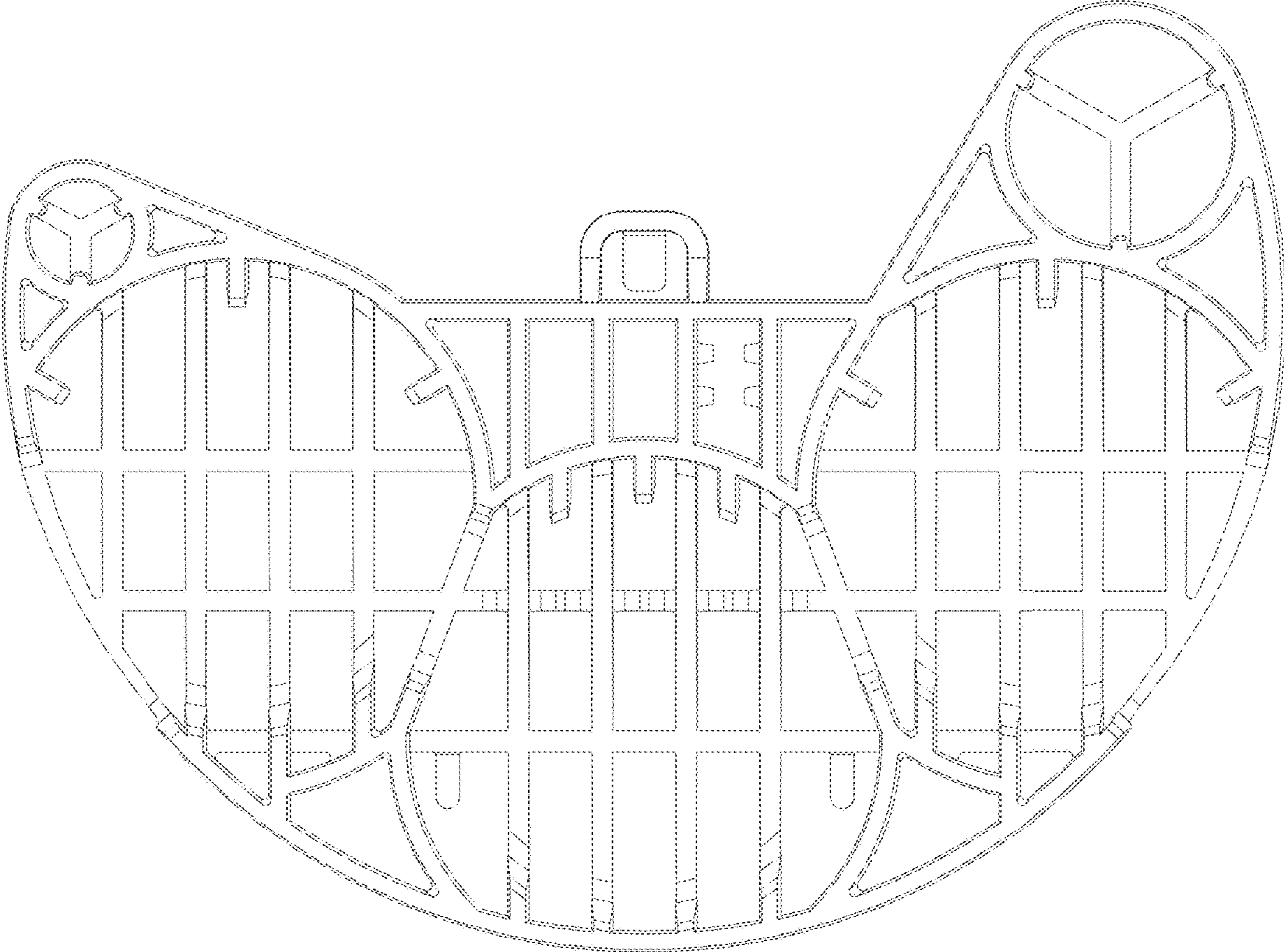


FIG. 7

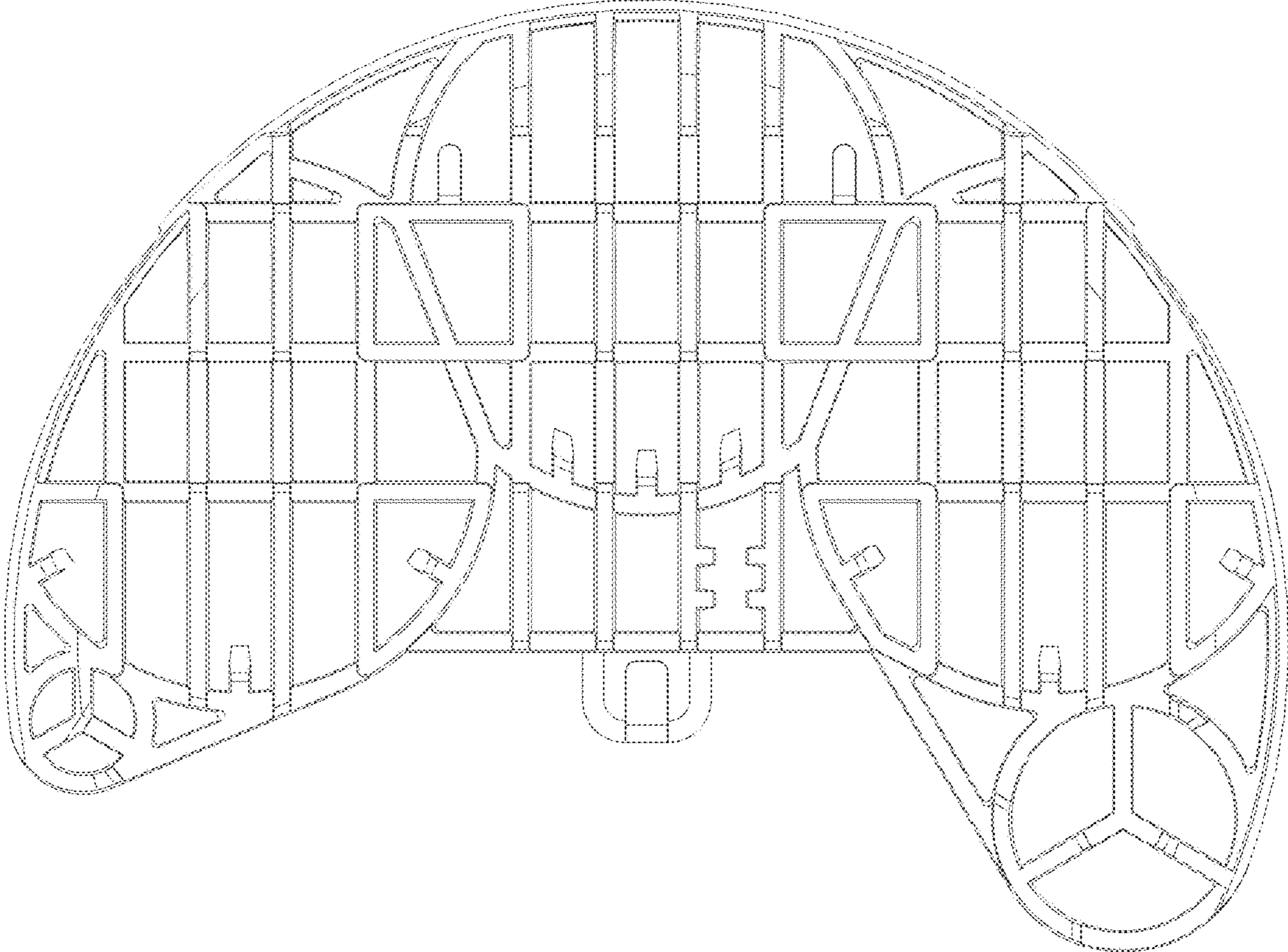


FIG. 8