



US00D936173S

(12) **United States Design Patent** (10) **Patent No.:** **US D936,173 S**  
**Wu** (45) **Date of Patent:** **\*\* Nov. 16, 2021**

(54) **ANIMAL REPELLENT**

FOREIGN PATENT DOCUMENTS

(71) Applicant: **Tingting Wu**, Yancheng (CN)

EP 3539379 \* 9/2019 ..... A01M 29/18

(72) Inventor: **Tingting Wu**, Yancheng (CN)

OTHER PUBLICATIONS

(\*\*) Term: **15 Years**

Magic Cat Solar Animal Repellent . . . [https://www.amazon.com/MAGIC-CAT-Repellent-Ultrasonic-Waterproof/dp/B091TGJTRV/ref=sr\\_1\\_1?dchild=1&keywords=magic+cat+solar+animal+repellent+ultrasonic+5+in+1+animal+repellent+with+motion+sensor&qid=1630886183&sr=8-1](https://www.amazon.com/MAGIC-CAT-Repellent-Ultrasonic-Waterproof/dp/B091TGJTRV/ref=sr_1_1?dchild=1&keywords=magic+cat+solar+animal+repellent+ultrasonic+5+in+1+animal+repellent+with+motion+sensor&qid=1630886183&sr=8-1) (Year: 2021).\*

(21) Appl. No.: **29/775,265**

(22) Filed: **Mar. 22, 2021**

(51) **LOC (13) Cl.** ..... **22-06**

(52) **U.S. Cl.**

USPC ..... **D22/120**

(58) **Field of Classification Search**

USPC ..... D22/120, 119; D10/46, 118; D13/102, D13/104, 107, 113, 184

CPC ..... A01M 1/08; A01M 29/00; A01M 29/12; A01M 29/16; A01M 29/18; A01M 29/32; A01M 31/002

See application file for complete search history.

\* cited by examiner

*Primary Examiner* — Catherine R Oliver-Garcia

(57) **CLAIM**

The ornamental design for an animal repellent, as shown and described.

(56) **References Cited**

**DESCRIPTION**

U.S. PATENT DOCUMENTS

D469,149 S \* 1/2003 Levine ..... D22/120  
D639,894 S 6/2011 Feuerstein  
D681,769 S \* 5/2013 Jan ..... D22/120  
9,204,622 B2 \* 12/2015 Wong ..... A01M 29/12  
D768,806 S \* 10/2016 Wu ..... D22/120  
D777,876 S \* 1/2017 Zhang ..... D22/120  
D860,028 S \* 9/2019 Gan ..... D10/118  
D876,339 S \* 2/2020 Xu ..... D13/103  
D880,646 S \* 4/2020 Gu ..... D22/120  
D880,647 S \* 4/2020 Gu ..... D22/120  
10,617,112 B1 \* 4/2020 Mellusi ..... A01M 29/18  
D897,485 S \* 9/2020 He  
D898,601 S \* 10/2020 Cui ..... D10/118.2  
2017/0318797 A1 \* 11/2017 Smith ..... A01M 31/002

FIG. 1 is a perspective view of a animal repellent showing my new design;

FIG. 2 is another perspective view thereof;

FIG. 3 is a front view thereof;

FIG. 4 is a rear view thereof;

FIG. 5 is a left side view thereof;

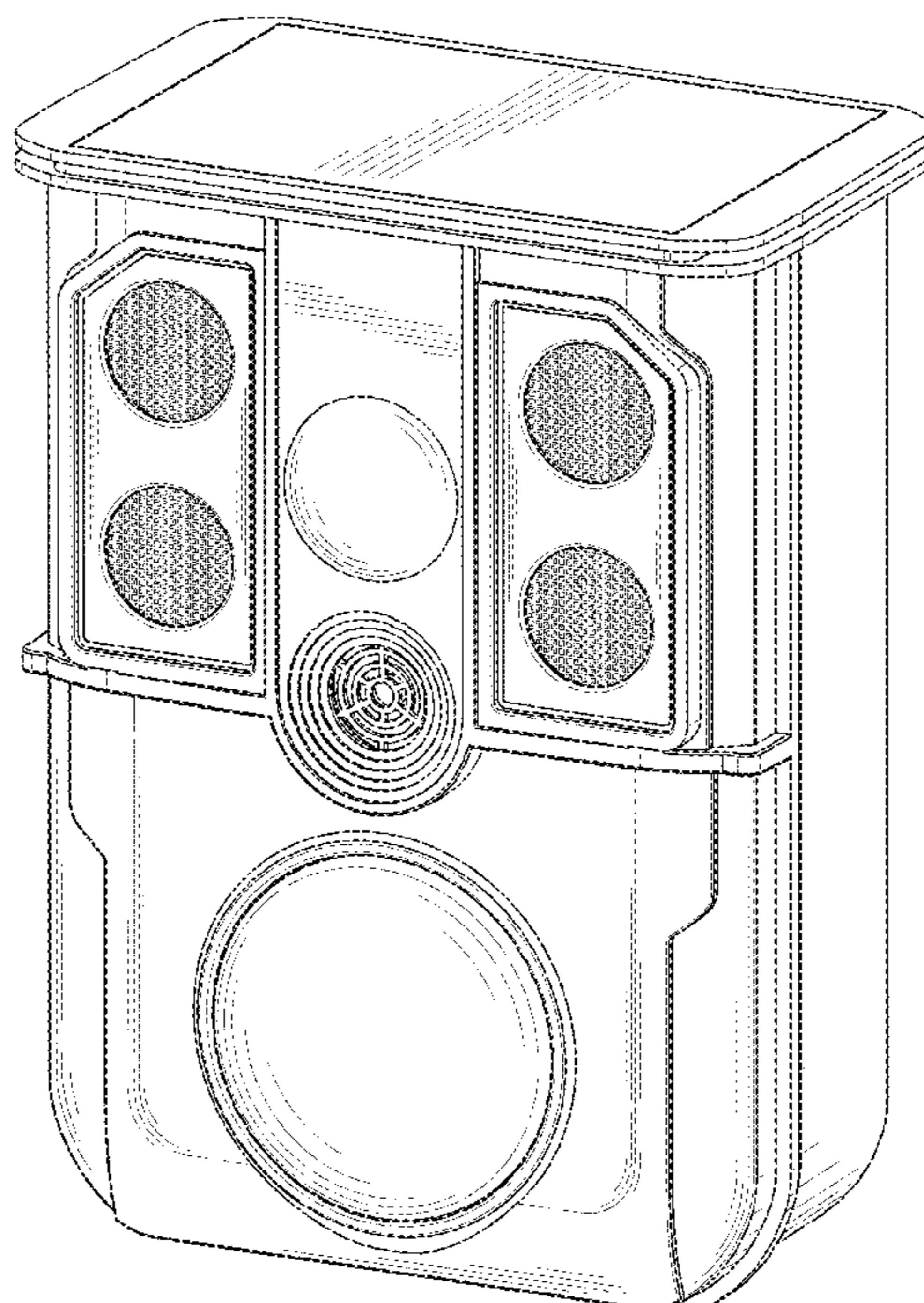
FIG. 6 is a right side view thereof;

FIG. 7 is a top plan view thereof; and,

FIG. 8 is a bottom plan view thereof.

The broken lines in the figures illustrate portions of the animal repellent that form no part of the claimed design.

**1 Claim, 8 Drawing Sheets**



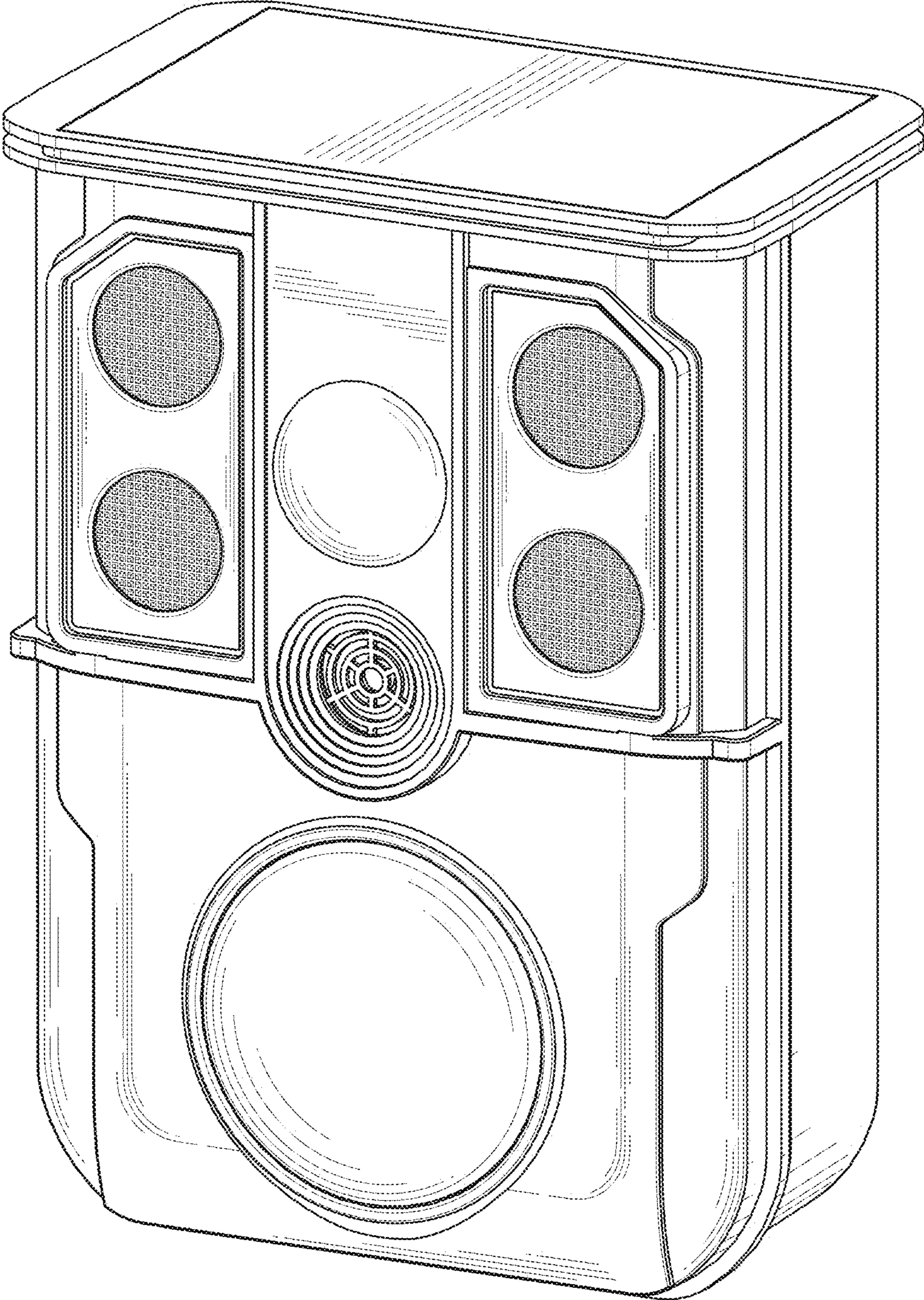


FIG. 1

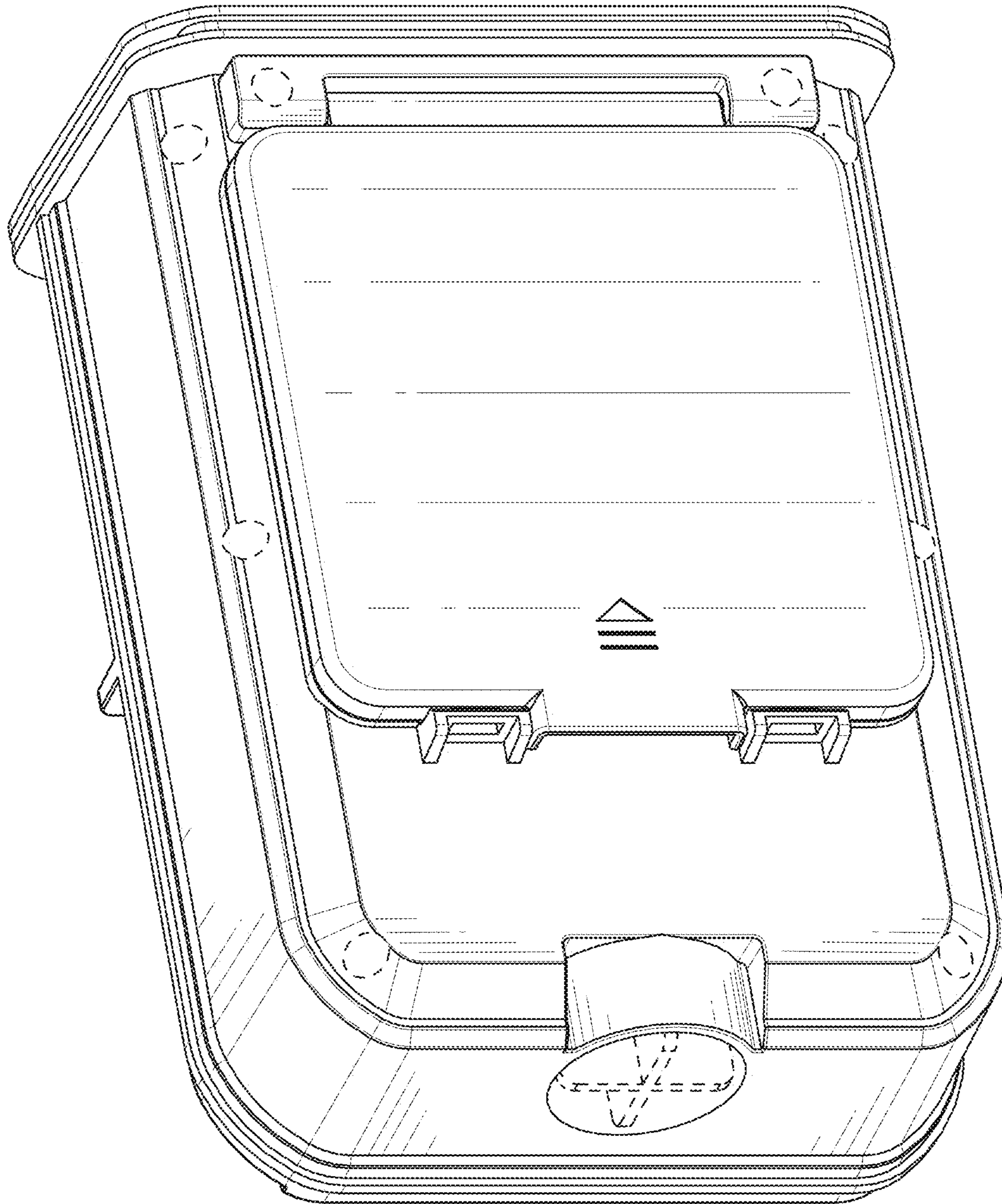


FIG. 2

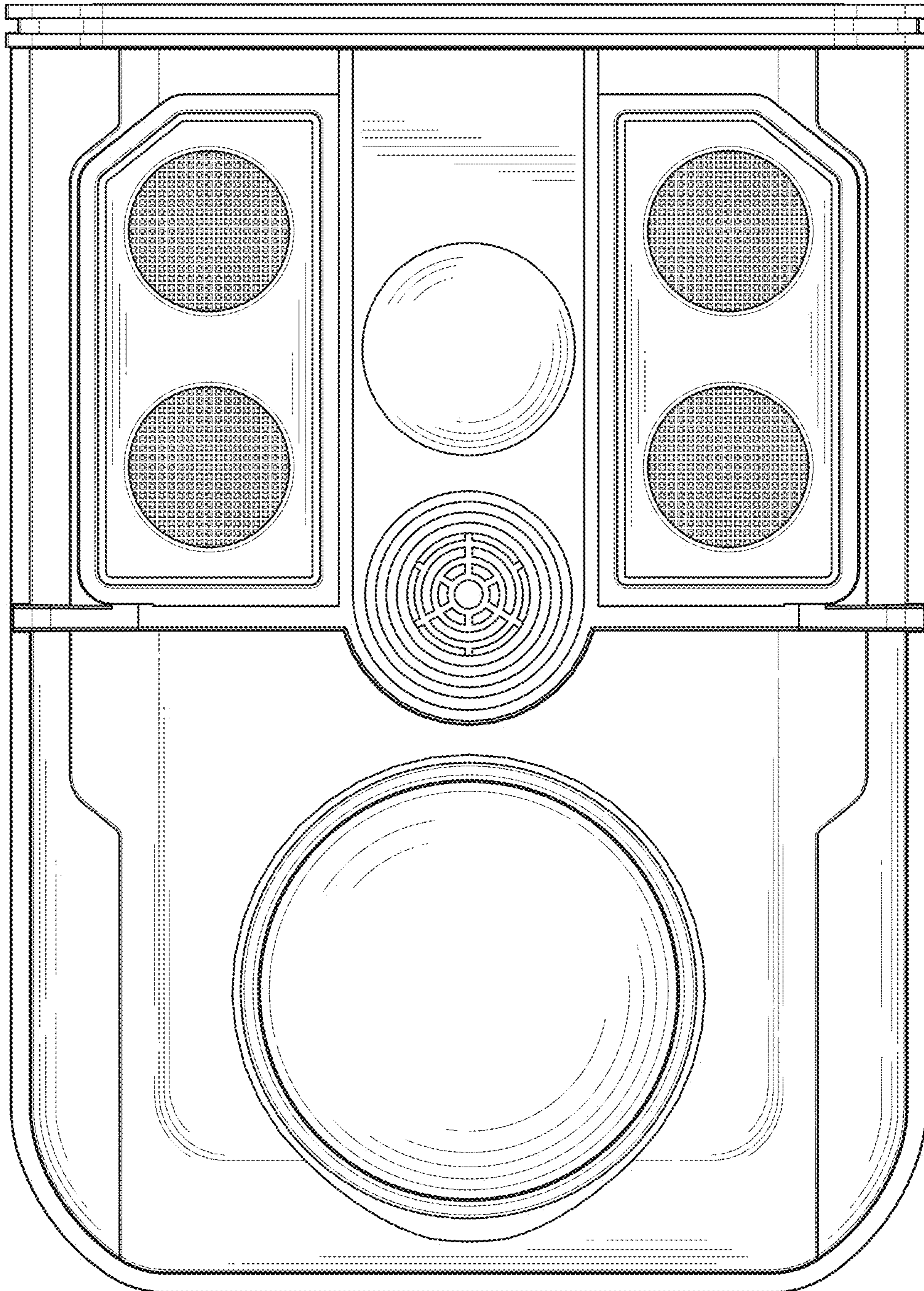


FIG. 3

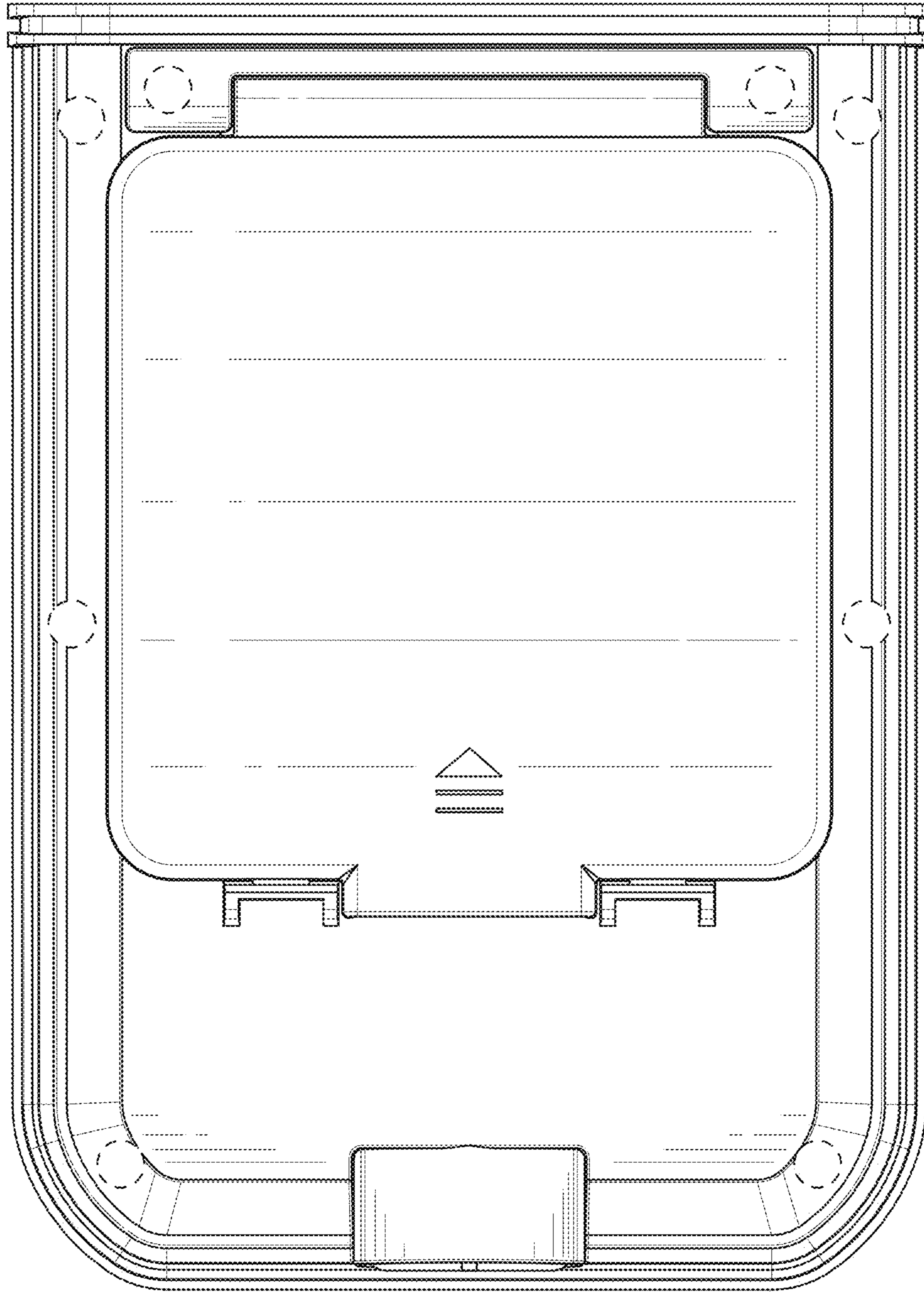


FIG. 4

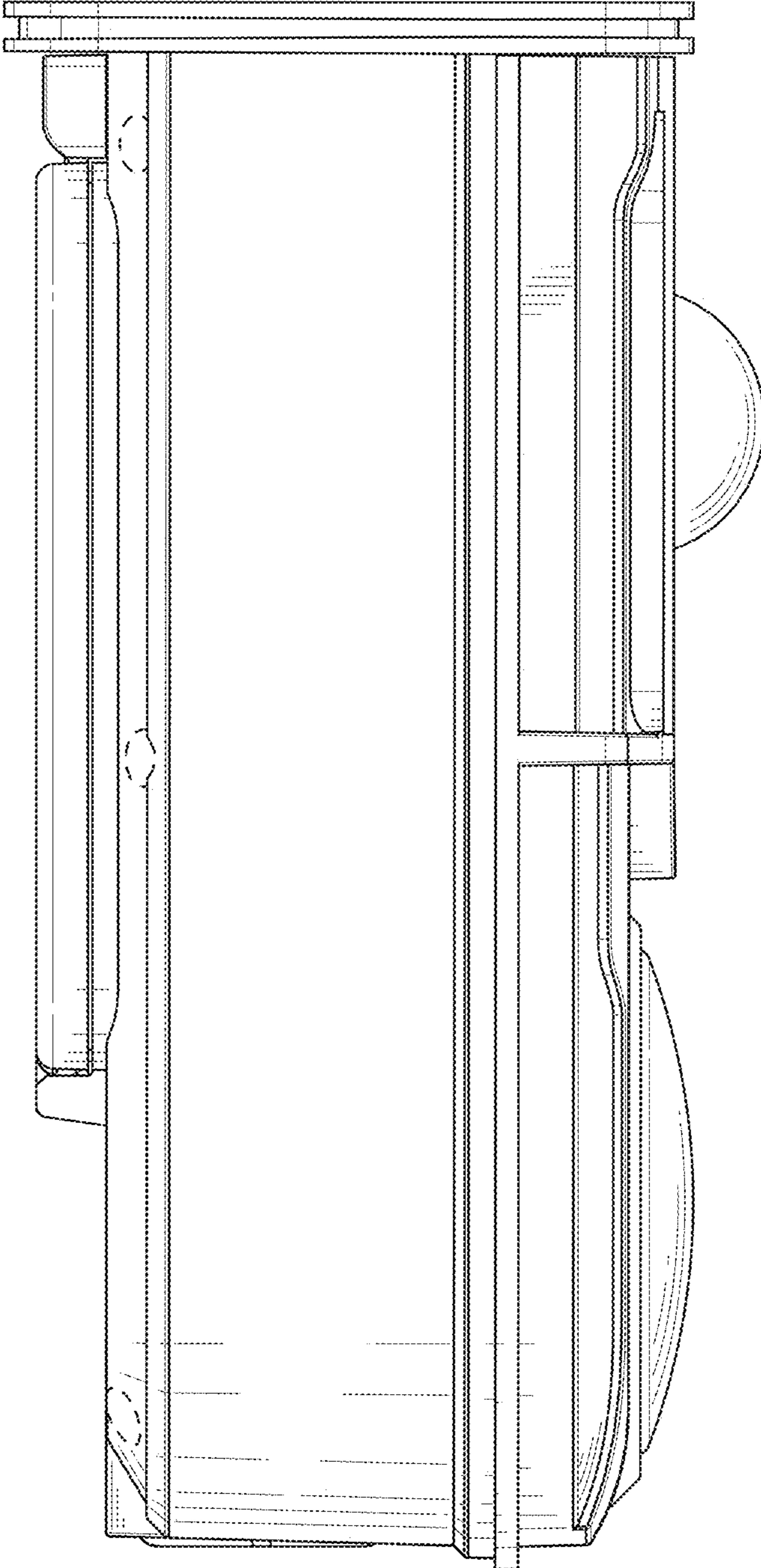


FIG. 5

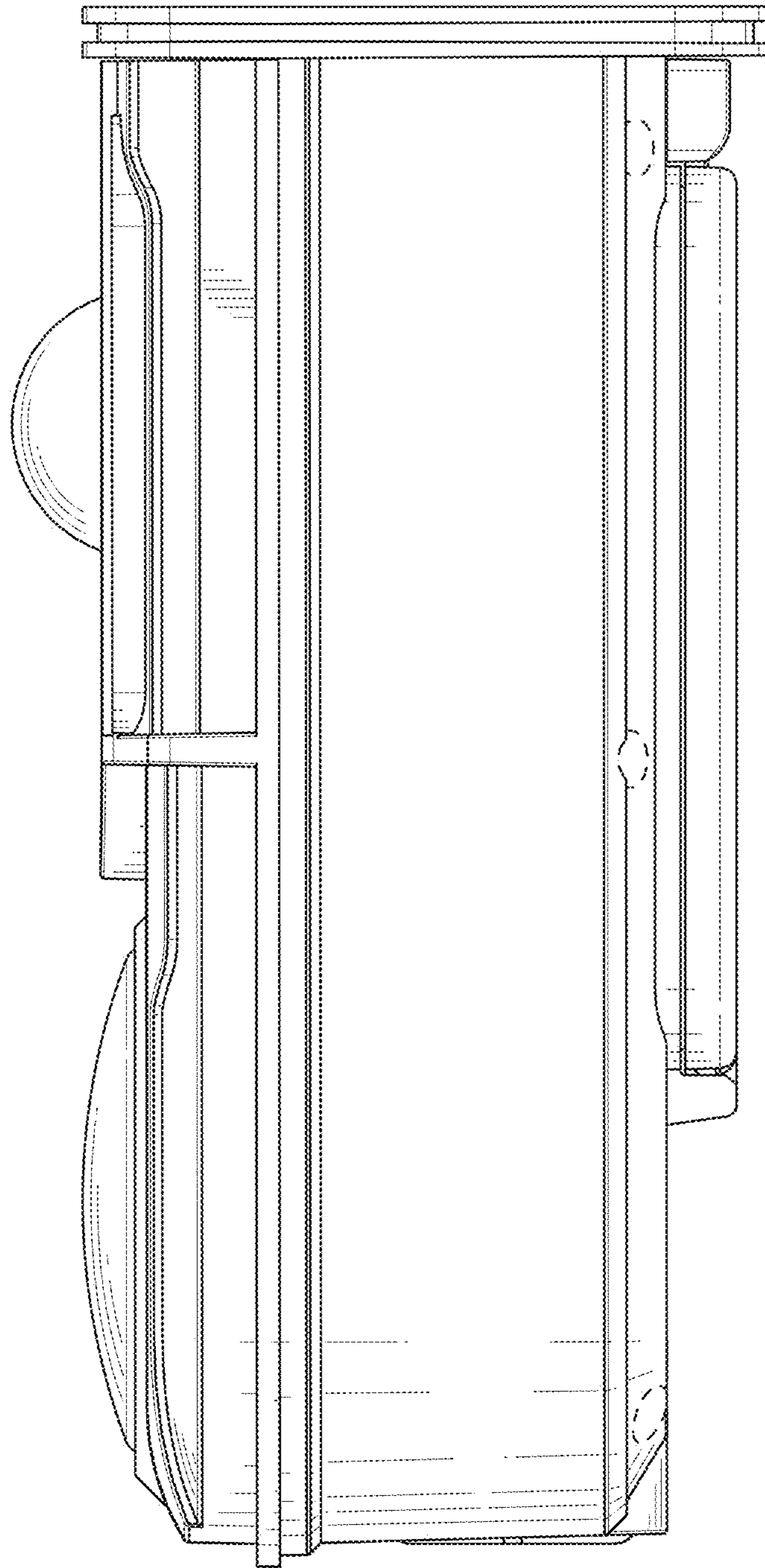


FIG. 6

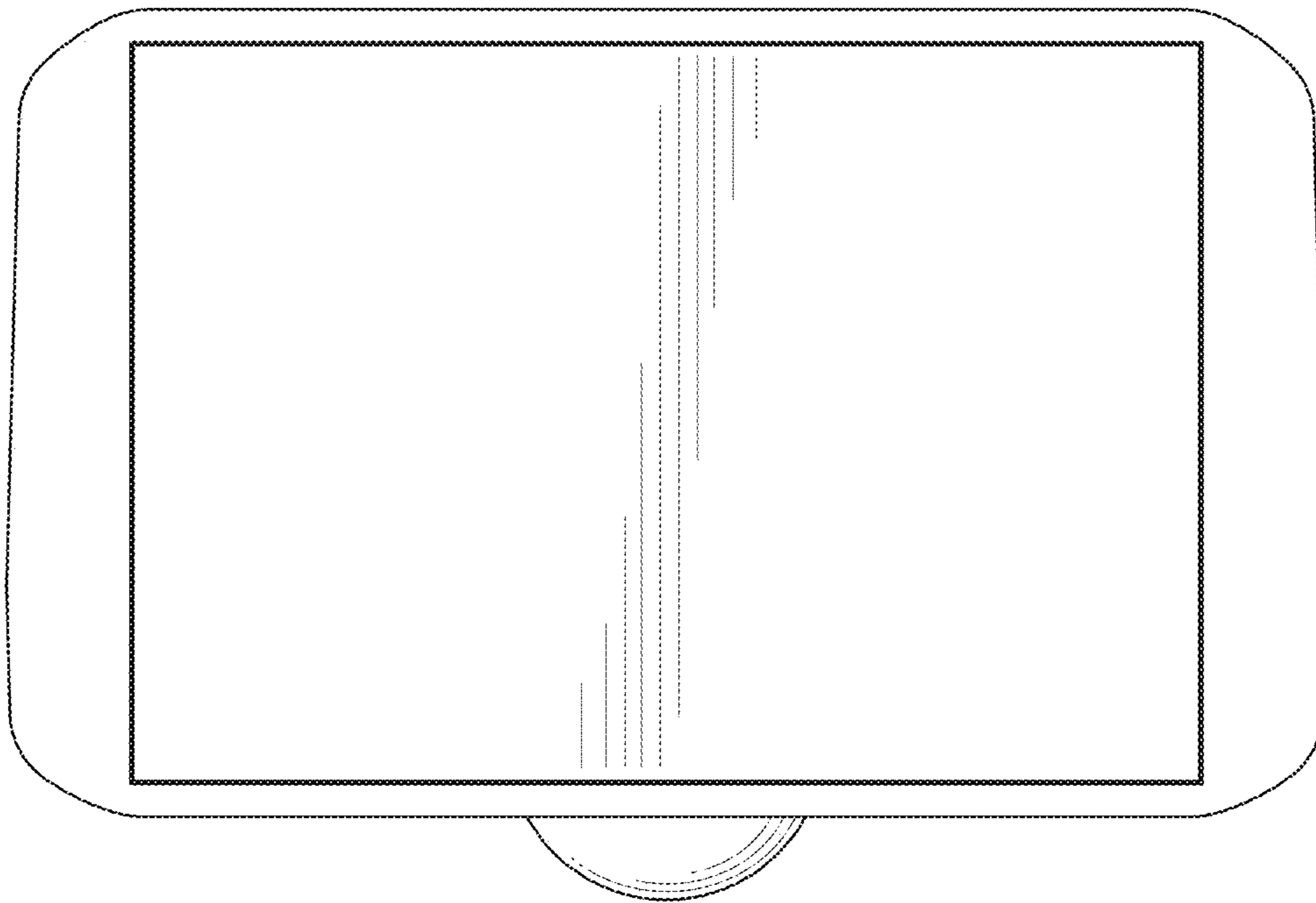


FIG. 7



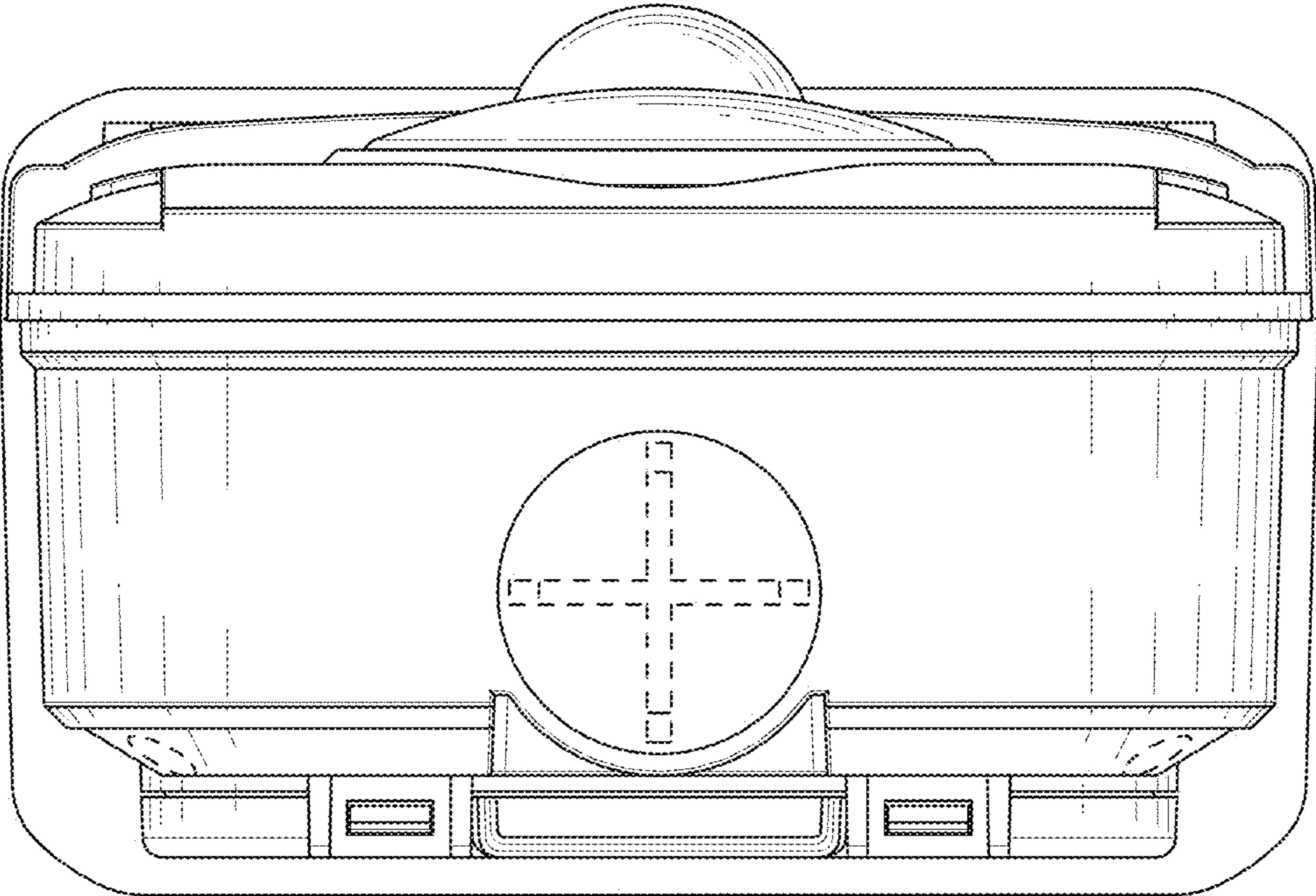


FIG. 8