

US00D936170S

(12) **United States Design Patent**
Chu

(10) **Patent No.:** **US D936,170 S**

(45) **Date of Patent:** **** Nov. 16, 2021**

(54) **BULLET**

(71) Applicant: **Chengwei Chu**, Libao Town (CN)

(72) Inventor: **Chengwei Chu**, Libao Town (CN)

(**) Term: **15 Years**

(21) Appl. No.: **29/759,257**

(22) Filed: **Nov. 20, 2020**

(51) **LOC (13) Cl.** **22-16**

(52) **U.S. Cl.**
USPC **D22/116; D21/570**

(58) **Field of Classification Search**
USPC D22/115-116; D21/301, 313, 570, 575,
D21/707, 714

CPC F42B 12/34; F42B 12/78; F42B 12/74;
F42B 12/24; F42B 12/54

See application file for complete search history.

(56) **References Cited**

U.S. PATENT DOCUMENTS

D621,450 S	*	8/2010	Wong	D21/572
D621,451 S	*	8/2010	Wong	D21/572
D698,872 S	*	2/2014	Cummings	D21/570
D717,909 S		11/2014	Thrift et al.		
D774,159 S		12/2016	Holtmeyer et al.		
D775,305 S		12/2016	Fiocchi et al.		

D780,876 S	3/2017	Boatright
D791,264 S	7/2017	Burczynski et al.
D802,705 S	11/2017	Burczynski et al.
D808,293 S	1/2018	Lenzmeier et al.
D866,701 S	11/2019	Mank
D870,842 S	12/2019	Fitzsimonds et al.
D877,848 S	3/2020	Kedairy

* cited by examiner

Primary Examiner — Michael A. Pratt

(74) *Attorney, Agent, or Firm* — Law Offices of Steven W. Weinrieb

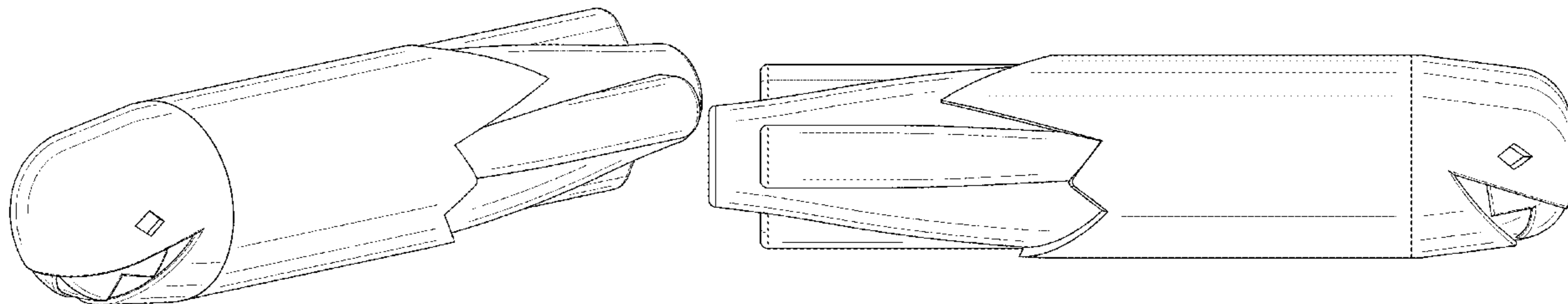
(57) **CLAIM**

The ornamental design for a bullet, as shown and described.

DESCRIPTION

FIG. 1 is a front, left side, top perspective view of a bullet showing my new design;
 FIG. 2 is a front elevational view thereof;
 FIG. 3 is a rear elevational view thereof;
 FIG. 4 is a left side elevational view thereof;
 FIG. 5 is a right side elevational view thereof;
 FIG. 6 is a top plan view thereof; and,
 FIG. 7 is a bottom plan view thereof.
 The broken lines depict portions of the bullet that form no part of the claimed design.

1 Claim, 6 Drawing Sheets



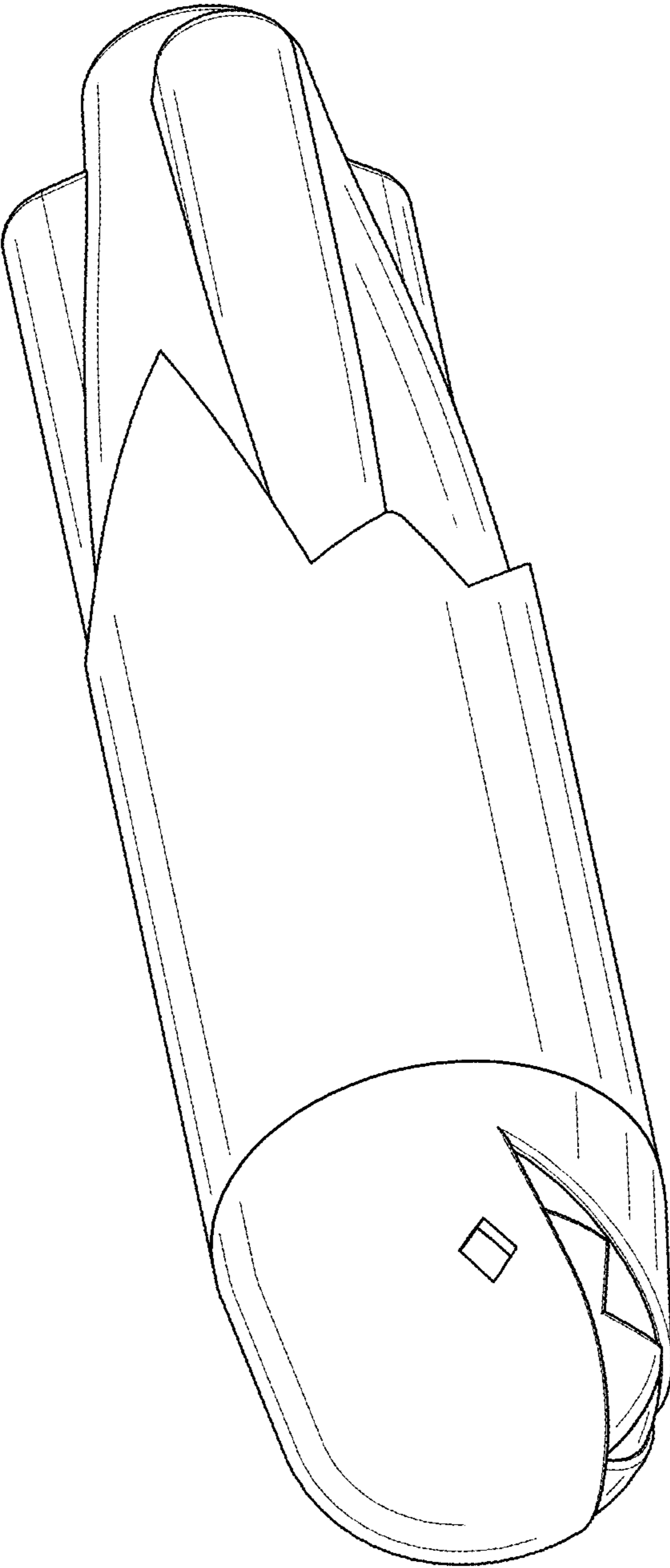


FIG.1

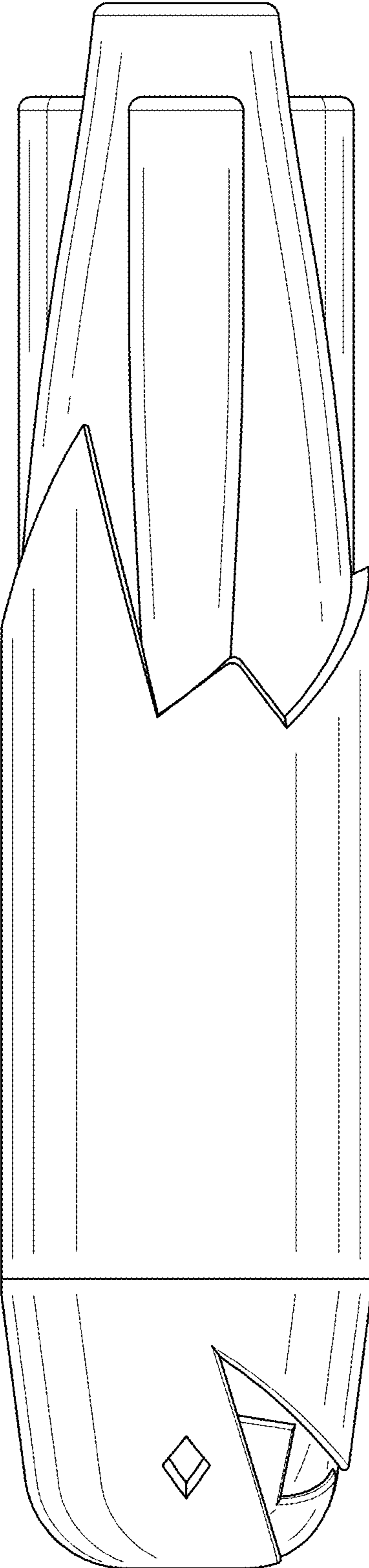


FIG.2

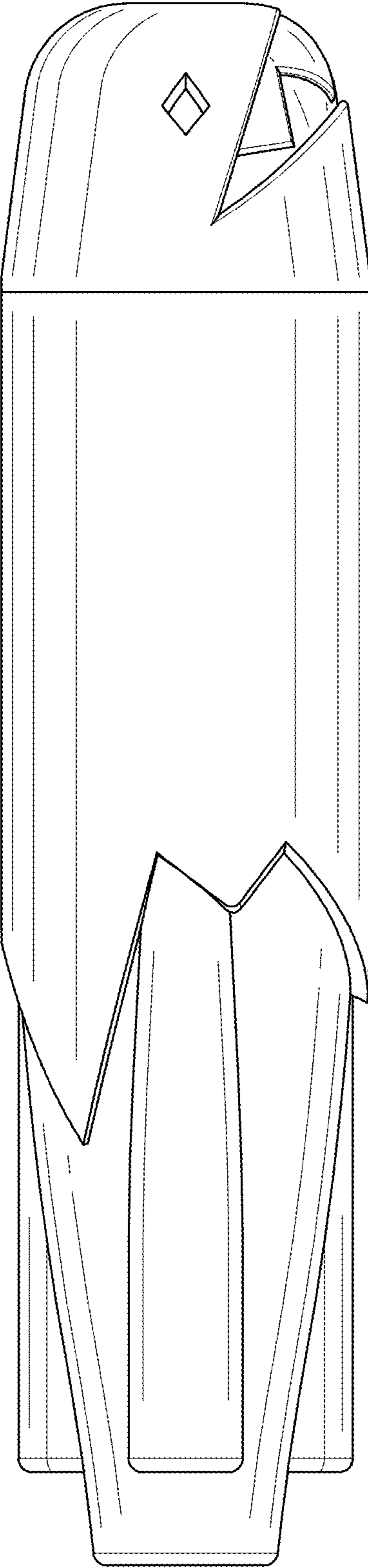


FIG.3

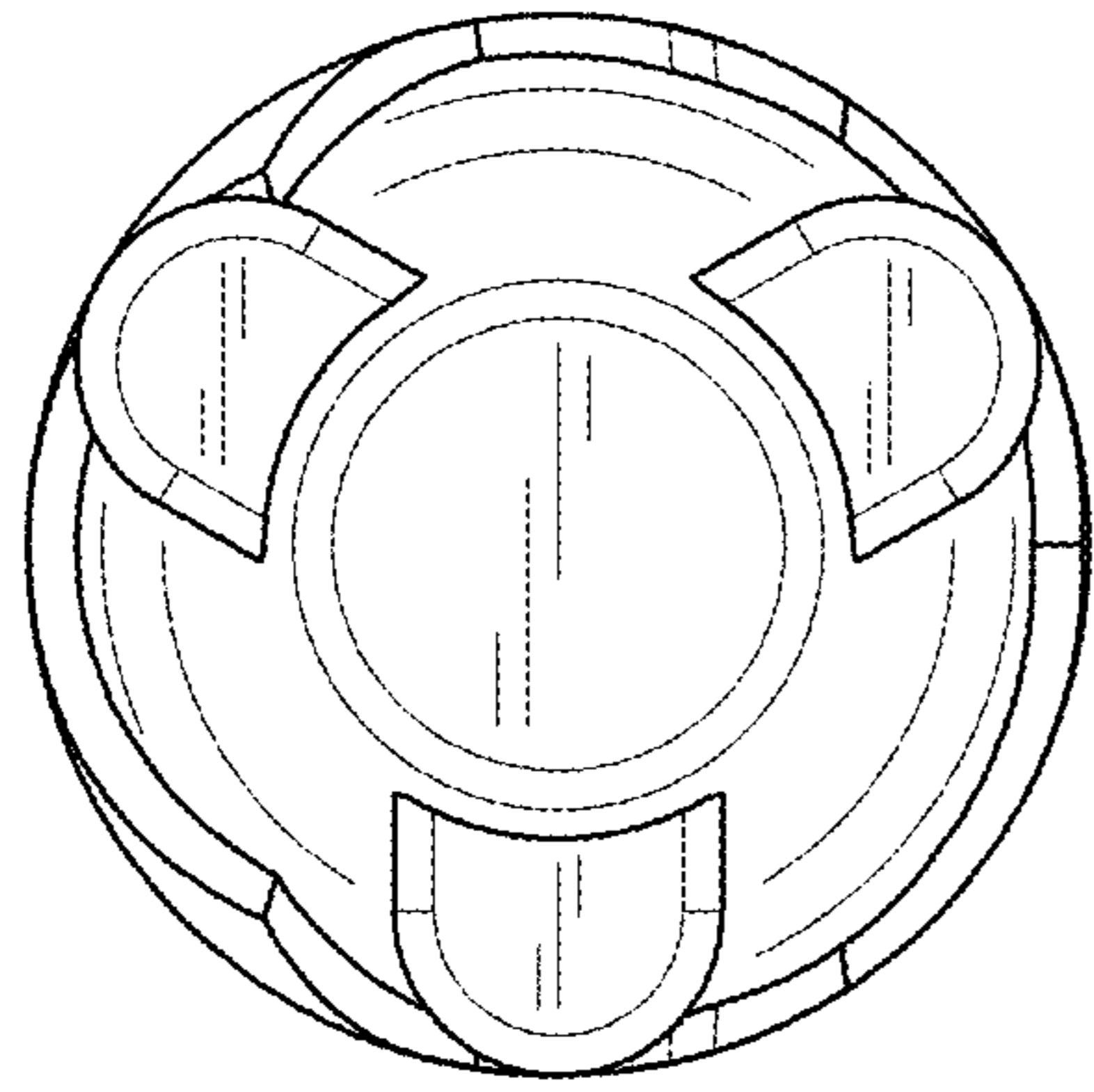


FIG.5

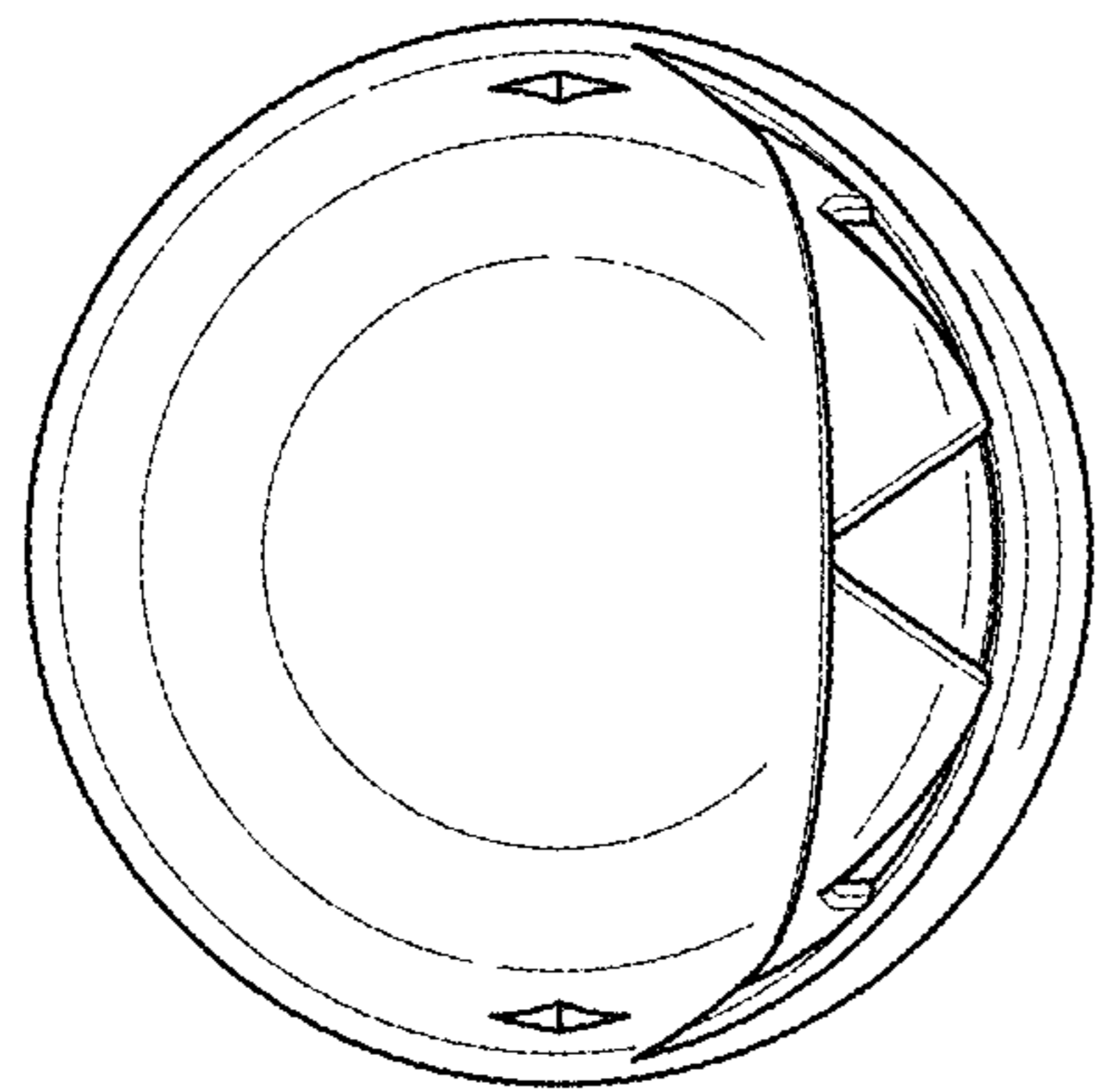


FIG.4

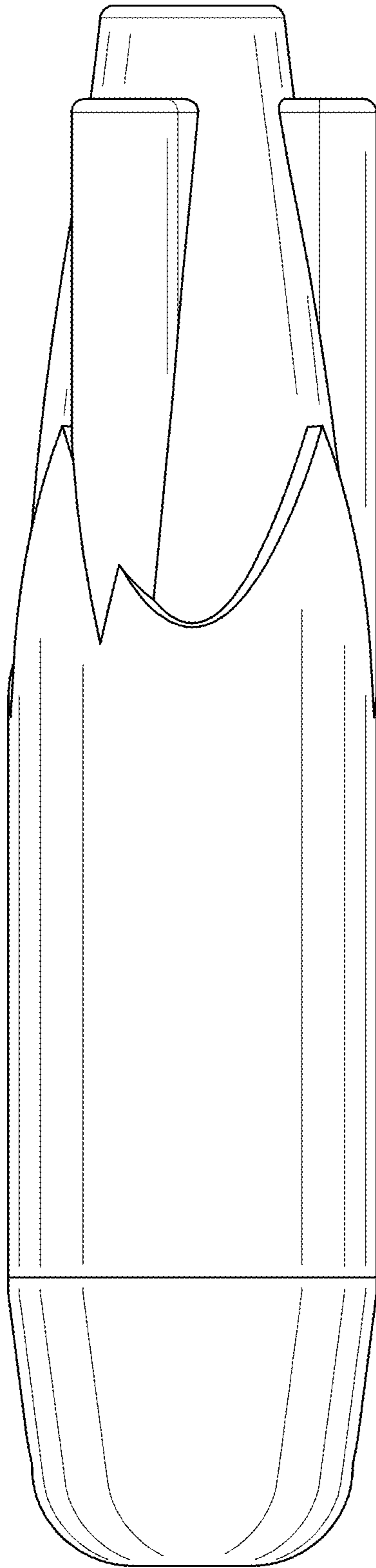


FIG.6

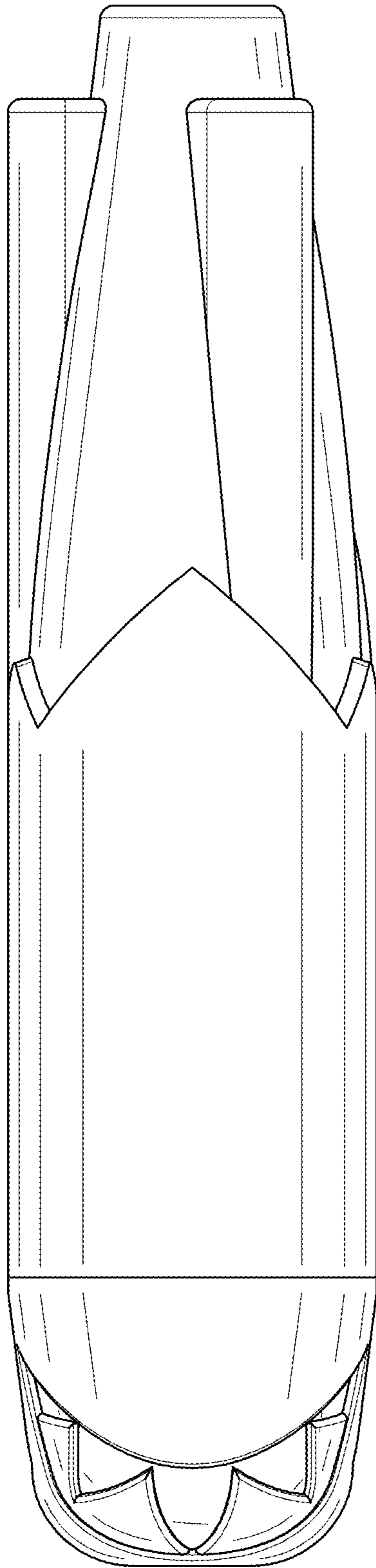


FIG. 7