



US00D936168S

(12) **United States Design Patent** (10) **Patent No.:** **US D936,168 S**
Xiong et al. (45) **Date of Patent:** **** Nov. 16, 2021**

(54) **TELESCOPIC SIGHT**

(71) Applicant: **WUHAN GOLDEN MINNA PHOTOELECTRIC SCI&TECH CO., LTD**, Wuhan (CN)

(72) Inventors: **Min Xiong**, Wuhan (CN); **Xing Li**, Wuhan (CN); **Haibei Xiong**, Wuhan (CN); **Fan Hu**, Wuhan (CN); **Xiaoming Peng**, Wuhan (CN)

(73) Assignee: **WUHAN GOLDEN MINNA PHOTOELECTRIC SCI&TECH CO., LTD**, Wuhan (CN)

(**) Term: **15 Years**

(21) Appl. No.: **29/653,622**

(22) Filed: **Jun. 17, 2018**

(30) **Foreign Application Priority Data**

Apr. 25, 2018 (CN) 201830175446.7

(51) **LOC (13) Cl.** **22-01**

(52) **U.S. Cl.**
USPC **D22/109**

(58) **Field of Classification Search**
USPC D22/108, 109, 110; D16/220
CPC F41G 1/14; F41G 1/38; F41G 1/40
See application file for complete search history.

(56) **References Cited**

U.S. PATENT DOCUMENTS

D427,658 S *	7/2000	Tucker	D22/108
D619,193 S *	7/2010	Riley	D22/108
D689,163 S *	9/2013	Radau	D22/109
D689,582 S *	9/2013	Radau	D22/109
D715,392 S *	10/2014	Cheng	D22/109
D721,780 S *	1/2015	Cheng	D22/109
D723,652 S *	3/2015	Radau	D22/109

D728,060 S *	4/2015	Vogl	D22/109
D728,061 S *	4/2015	Vogl	D22/109
D756,480 S *	5/2016	Kay	D22/109
D792,939 S *	7/2017	Proll	D22/109
D818,075 S *	5/2018	Zeppetbauer	D22/109
10,101,122 B2 *	10/2018	Davidson	F41G 1/38
D884,112 S *	5/2020	Johnston	D22/109
10,767,961 B2 *	9/2020	Burianec	F41G 1/40
2015/0268459 A1 *	9/2015	Zheng	G02B 23/145 359/422

OTHER PUBLICATIONS

“Vortex Optics Razor HD Gen II-E 1-6x24 Second Focal Plane Riflescopes” [online]. Vortex. [Product first available on Dec. 20, 2019]. Retrieved from the Internet: <<https://www.amazon.com/dp/B07943D4V7>>.*

* cited by examiner

Primary Examiner — Mojtaba Tehrani

(74) *Attorney, Agent, or Firm* — Dragon Sun Law Firm, PC; Jinggao Li, Esq.

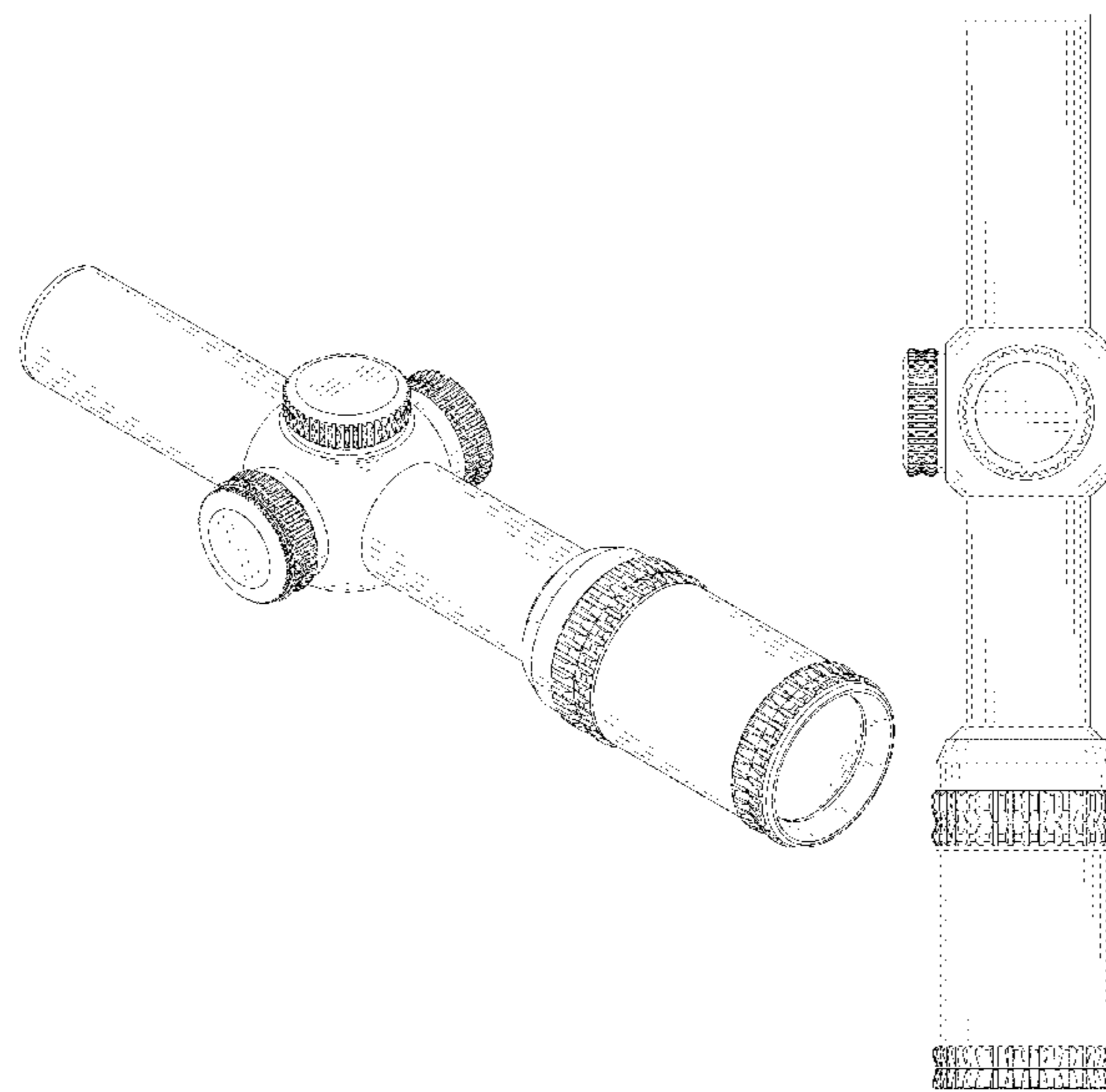
(57) **CLAIM**

The ornamental design for a telescopic sight, as shown and described.

DESCRIPTION

FIG. 1 is a front perspective view of a telescopic sight showing our new design; FIG. 2 is a front elevational view thereof; FIG. 3 is a rear elevational view thereof; FIG. 4 is a left elevational view thereof; FIG. 5 is a right elevational view thereof; FIG. 6 is a top pan view thereof; and, FIG. 7 is a bottom pan view thereof. The broken line in the drawings depicts unclaimed portion of the telescopic sight only and forms no part of the claimed design.

1 Claim, 7 Drawing Sheets



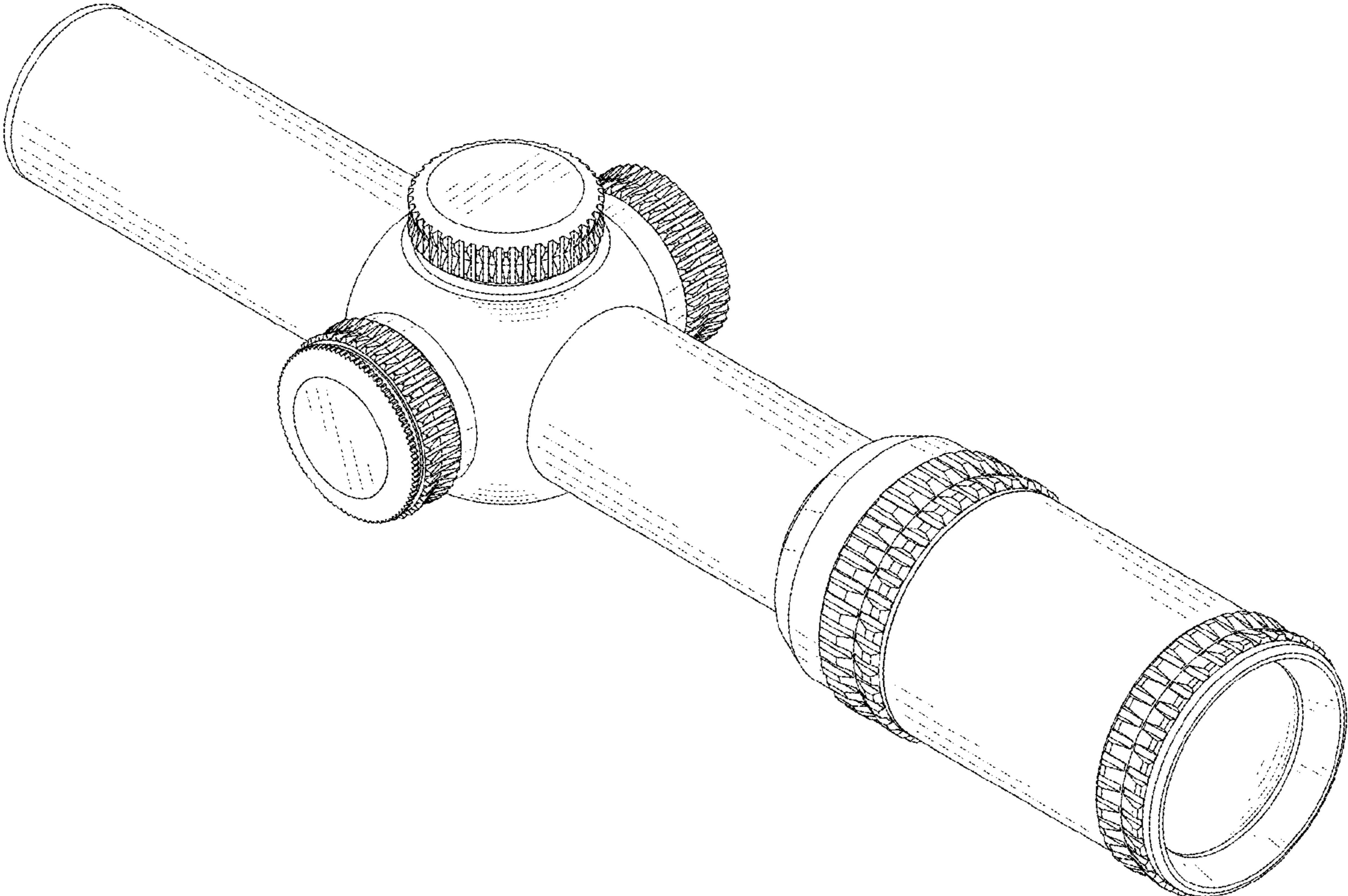


FIG. 1

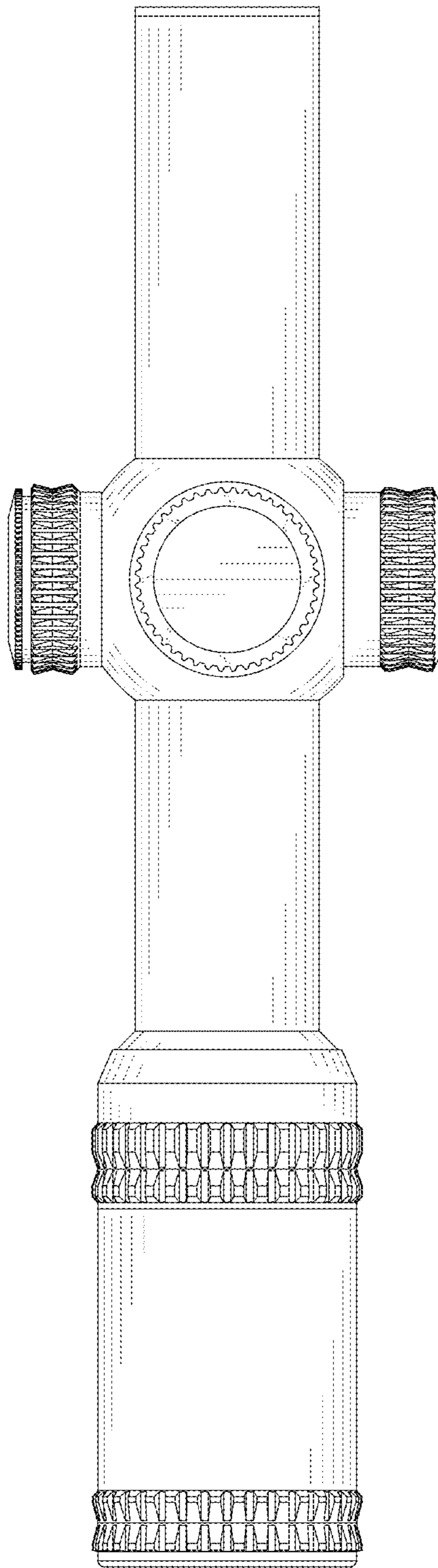


FIG. 2

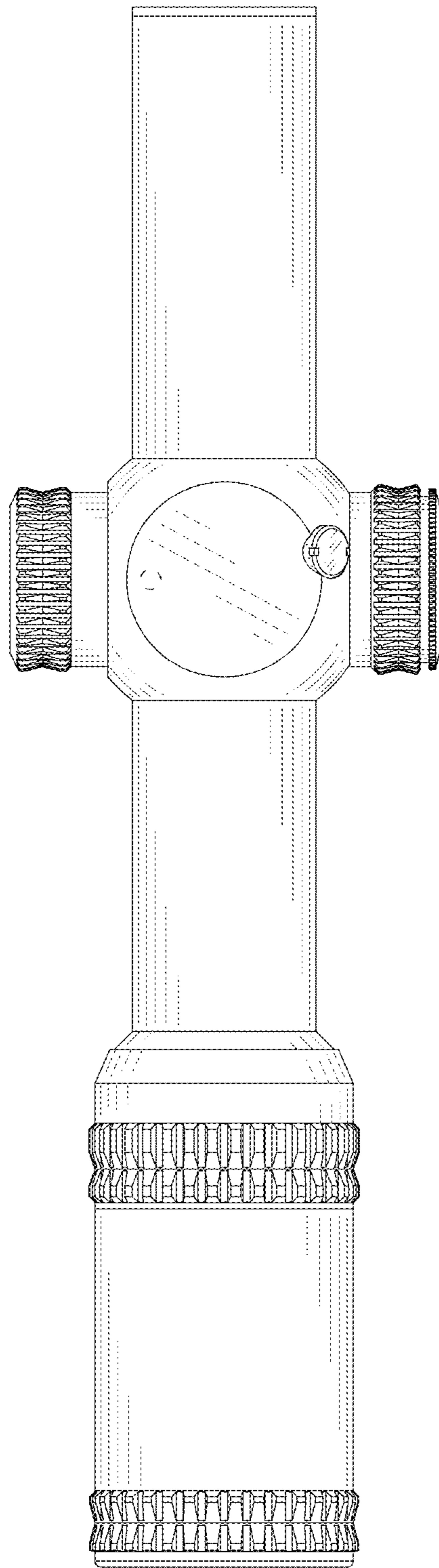


FIG. 3

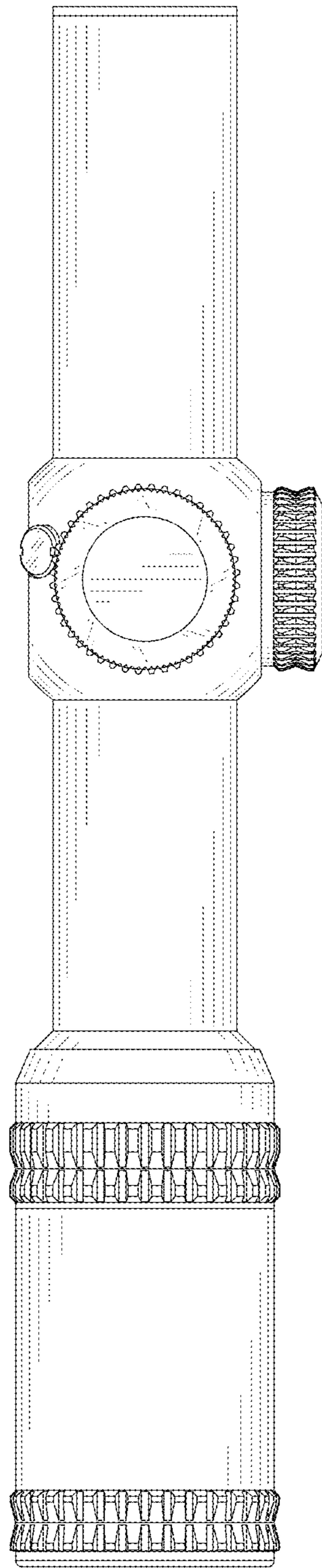


FIG. 4

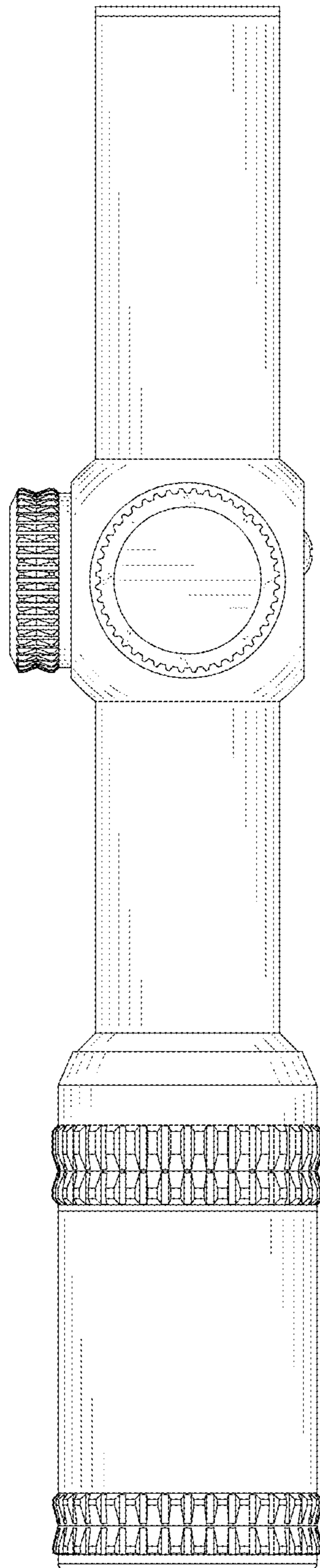


FIG. 5

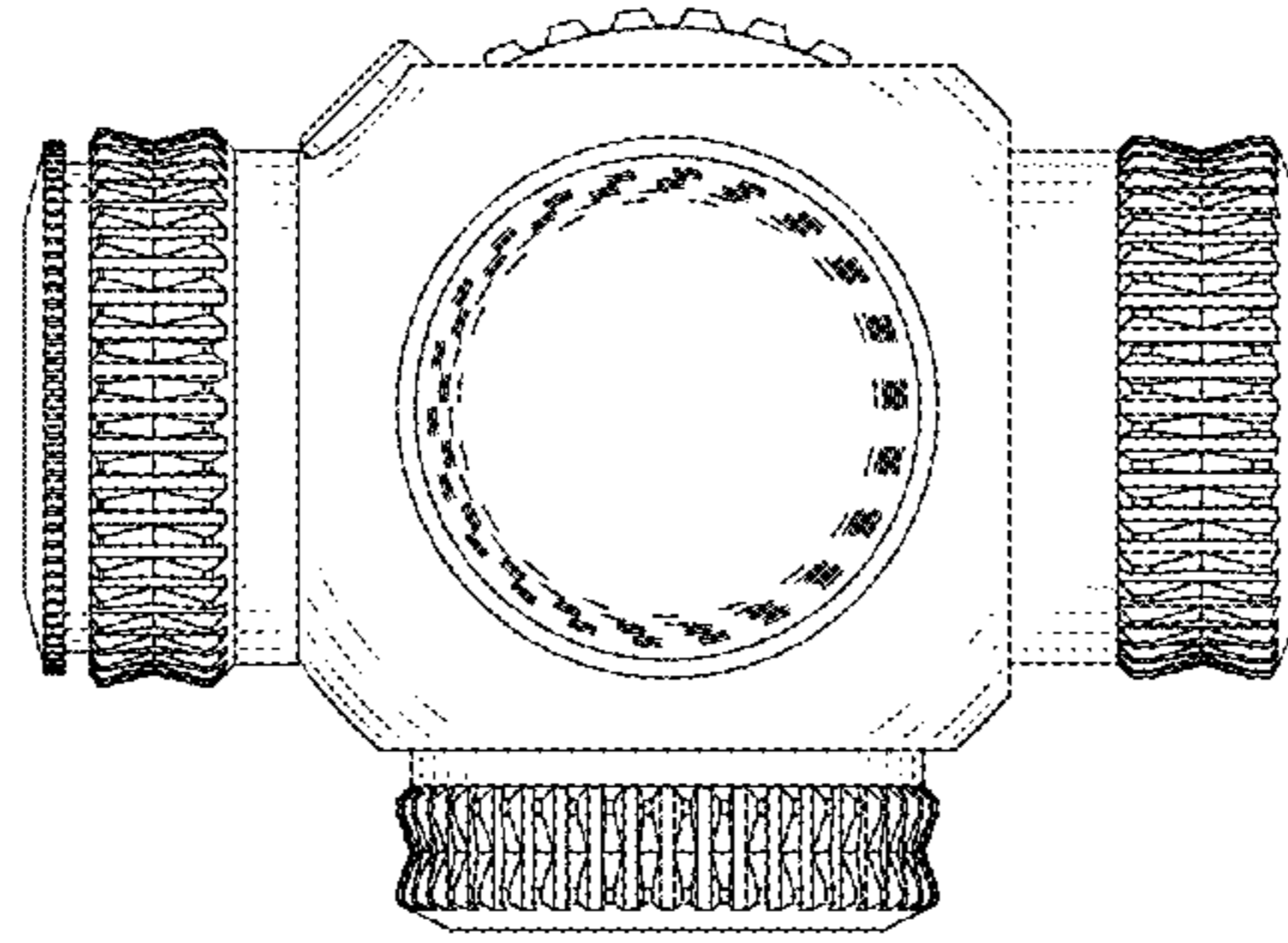


FIG. 6

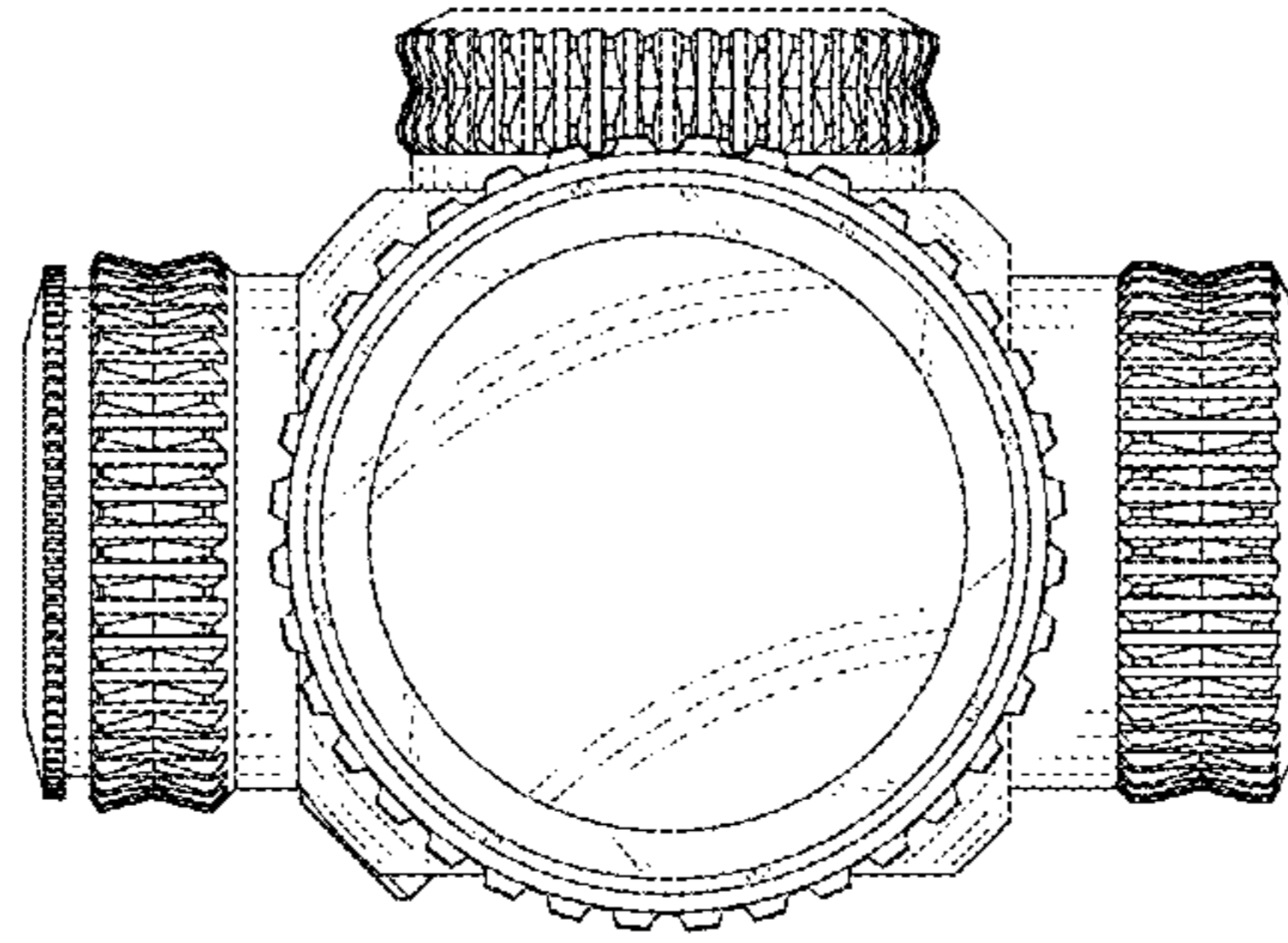


FIG. 7