



US00D936167S

(12) **United States Design Patent**  
**Geissele**

(10) **Patent No.:** **US D936,167 S**  
(45) **Date of Patent:** **\*\* Nov. 16, 2021**

(54) **FIREARM TRIGGER**

(71) Applicant: **WHG Properties, LLC**, North Wales, PA (US)

(72) Inventor: **William H. Geissele**, Lower Gwynedd, PA (US)

(73) Assignee: **WHG PROPERTIES, LLC**, North Wales, PA (US)

(\*\*) Term: **15 Years**

(21) Appl. No.: **29/743,701**

(22) Filed: **Jul. 23, 2020**

**Related U.S. Application Data**

(62) Division of application No. 29/731,173, filed on Apr. 13, 2020, now Pat. No. Des. 900,952, which is a division of application No. 29/636,204, filed on Feb. 7, 2018, now Pat. No. Des. 887,515.

(51) **LOC (13) Cl.** ..... **22-01**

(52) **U.S. Cl.**  
USPC ..... **D22/108**

(58) **Field of Classification Search**  
USPC ..... D22/103, 107, 108–111, 199;  
D21/571–575

CPC ..... F41A 19/10; F41A 19/11; F41A 19/12;  
F41A 19/09; F41A 19/00; F41A 17/46;  
F41A 17/52; F41A 17/56; F41A 17/62

See application file for complete search history.

(56) **References Cited**

**U.S. PATENT DOCUMENTS**

D364,207 S 11/1995 Tuomey  
6,553,706 B1 4/2003 Gancarz et al.  
D585,954 S 2/2009 Bubits  
D593,617 S 6/2009 Dochterman  
D597,626 S 8/2009 Krieger

D659,790 S 5/2012 Geissele  
8,646,201 B2 2/2014 Hughes et al.  
8,677,665 B1 3/2014 Huber  
8,966,802 B1 3/2015 Findlay  
D740,907 S 10/2015 Oglesby

(Continued)

**FOREIGN PATENT DOCUMENTS**

WO 2019173070 A1 9/2019  
WO WO-2020092580 A1 \* 5/2020 ..... F41A 19/59  
WO WO-2020264508 A1 \* 12/2020 ..... F41A 17/46

**OTHER PUBLICATIONS**

Super 700 Trigger, posted at Geissele Automatics, review posted Mar. 20, 2019. Site visited Sep. 16, 2019. URL: <<https://geissele.com/super-700-two-stage-trigger.html#customer-reviews>> (Year: 2019).

(Continued)

*Primary Examiner* — Kathleen L Jones

(74) *Attorney, Agent, or Firm* — Fox Rothschild LLP

(57) **CLAIM**

The ornamental design for a firearm trigger, as shown and described.

**DESCRIPTION**

FIG. 1 is an isometric view of a firearm trigger according to the present disclosure.

FIG. 2 is a left side view of the firearm trigger of FIG. 1.

FIG. 3 is a right side view of the firearm trigger of FIG. 1.

FIG. 4 is a front view of the firearm trigger of FIG. 1.

FIG. 5 is a rear view of the firearm trigger of FIG. 1.

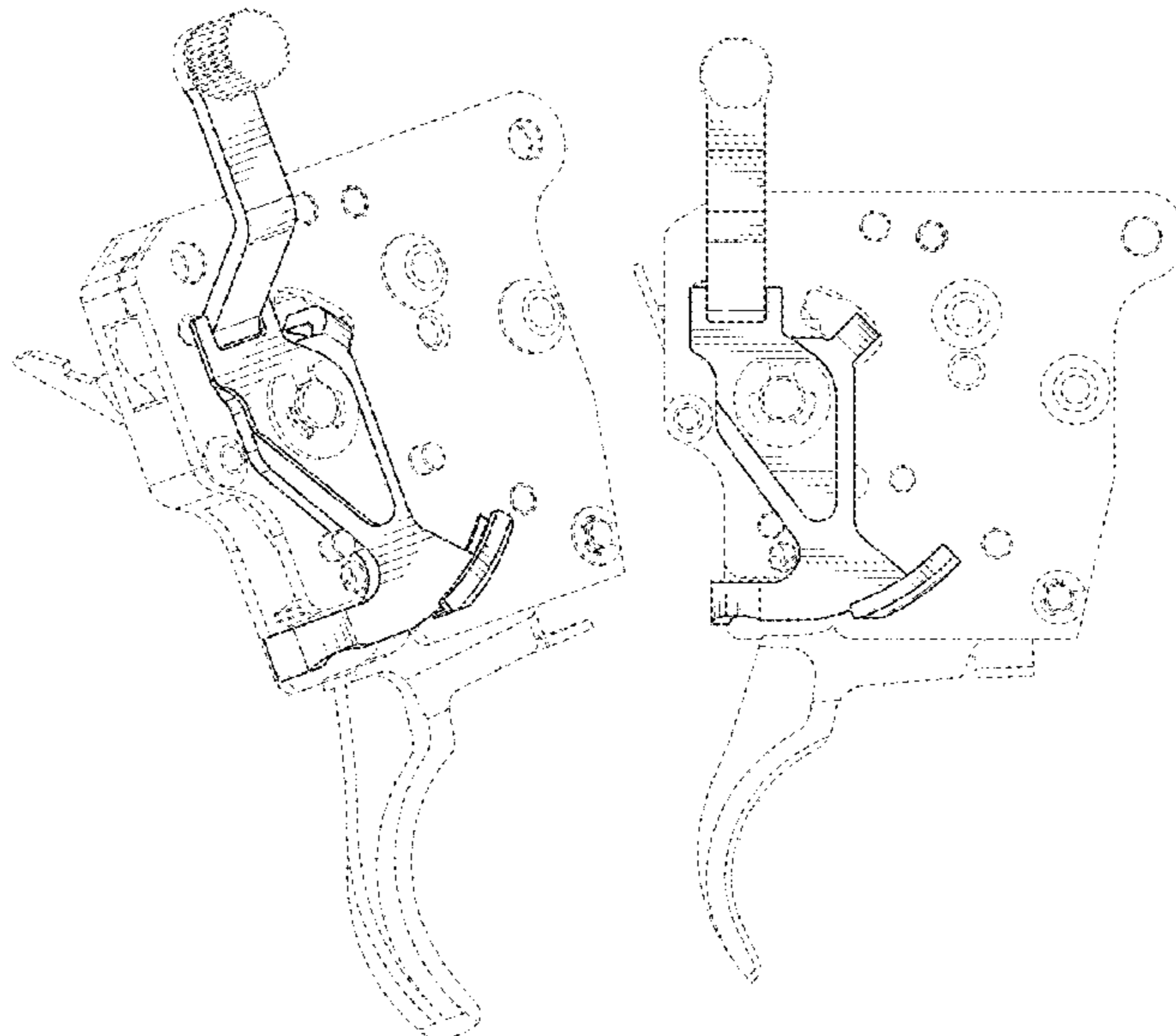
FIG. 6 is a top view of the firearm trigger of FIG. 1; and,

FIG. 7 is a bottom view of the firearm trigger of FIG. 1.

The broken lines in the Figures illustrate portions of the article that form no part of the claimed design.

The uneven broken lines shown in FIG. 2 define the boundary of the claimed design and form no part thereof.

**1 Claim, 4 Drawing Sheets**



(56)

References Cited

U.S. PATENT DOCUMENTS

9,194,639 B1 11/2015 Malheiros et al.  
 D745,943 S 12/2015 Geissele  
 D746,402 S 12/2015 Siddle  
 9,267,751 B2 2/2016 Ruiz  
 D750,725 S 3/2016 Capps et al.  
 9,310,150 B1 4/2016 Geissele  
 D755,339 S 5/2016 Geissele  
 D777,285 S 1/2017 Bender  
 9,618,288 B2 4/2017 Wilson  
 9,927,197 B1 3/2018 Geissele  
 10,006,734 B1 6/2018 Findlay  
 D828,895 S 9/2018 Geissele  
 D833,562 S 11/2018 Geissele  
 D835,743 S 12/2018 Bender  
 10,156,409 B1 12/2018 Laney et al.  
 10,393,459 B2 8/2019 Tompkins  
 10,401,107 B2 9/2019 Martinez  
 10,458,736 B2 10/2019 Galie et al.  
 10,514,223 B1 12/2019 Rounds  
 D886,225 S 6/2020 Geissele  
 D887,515 S 6/2020 Geissele  
 10,690,430 B2 6/2020 Galie et al.  
 D900,951 S \* 11/2020 Geissele ..... D22/108  
 D900,952 S \* 11/2020 Geissele ..... D22/108  
 10,845,147 B2 \* 11/2020 Fellows ..... F41A 17/46  
 10,948,252 B1 \* 3/2021 Bender ..... F41A 17/46  
 2009/0183414 A1 7/2009 Geissele  
 2015/0338182 A1 11/2015 Lipowski  
 2016/0076842 A1 3/2016 Faxon  
 2016/0084600 A1 3/2016 Siddle  
 2016/0305730 A1 10/2016 Dextraze  
 2017/0089655 A1 3/2017 Geissele  
 2017/0191776 A1 7/2017 Dextraze  
 2017/0321983 A1 11/2017 Bender  
 2018/0094891 A1 \* 4/2018 Geissele ..... F41A 17/46  
 2018/0112944 A1 4/2018 Underwood et al.

2019/0257606 A1 8/2019 Olson et al.  
 2019/0271518 A1 9/2019 McKillips et al.  
 2020/0025488 A1 1/2020 Alicea, Jr.  
 2020/0041222 A1 2/2020 Lobert  
 2020/0064095 A1 2/2020 Geissele et al.  
 2020/0080812 A1 3/2020 Galie et al.  
 2020/0096275 A1 3/2020 Geissele et al.  
 2020/0096278 A1 3/2020 Olson et al.  
 2020/0191513 A1 \* 6/2020 Foster ..... F41A 19/16  
 2020/0224988 A1 \* 7/2020 Biegel ..... F41A 11/00  
 2020/0248979 A1 \* 8/2020 Dunham ..... F41A 11/00  
 2020/0386502 A1 \* 12/2020 Niswander ..... F41A 19/10  
 2021/0033365 A1 \* 2/2021 Elftmann, Jr. .... F41A 19/10  
 2021/0102770 A1 \* 4/2021 Schacht ..... F41A 19/15  
 2021/0102771 A1 \* 4/2021 Curry ..... F41A 19/10  
 2021/0148667 A1 \* 5/2021 Boone ..... F41A 33/00  
 2021/0207914 A1 \* 7/2021 Fellows ..... F41A 19/24

OTHER PUBLICATIONS

Bix'n Andy TacSport Rem700 Single Stage Trigger—Top Safety, posted at BulletCentral, review posted Sep. 11, 2017. Site visited Sep. 16, 2019. URL: <<https://bulletcentral.com/product/bixn-and-tacsport-rem700-single-stage-trigger-top-safety/#reviews>> (Year: 2017).  
 Rem 700 Diamond Trigger, posted at TriggerTech, review posted Nov. 9, 2017. Site visited Sep. 16, 2019. URL: <<https://triggertech.com/products/diamond#shopify-product-reviews>> (Year: 2017).  
 I, Ray, ALG Defense AKT-E AK Triggers Now Available, posted at The Firearm Blog, posting date Sep. 23, 2016. Site visited May 29, 2020. URL: <<https://www.thefirearmblog.com/blog/2016/09/23alg-defense-akt-e-ak-triggers-now-available/>> (Year: 2016).  
 Pete, Geissele—New Triggers, Rails and Companies, posted at The Firearm Blog, posting date Jan. 14, 2017. Site visited May 29, 2020. URL: <<https://www.thefirearmblog.com/blog/2017/01/14/geissele-automatics-2017-triggers/>> (Year: 2017).

\* cited by examiner

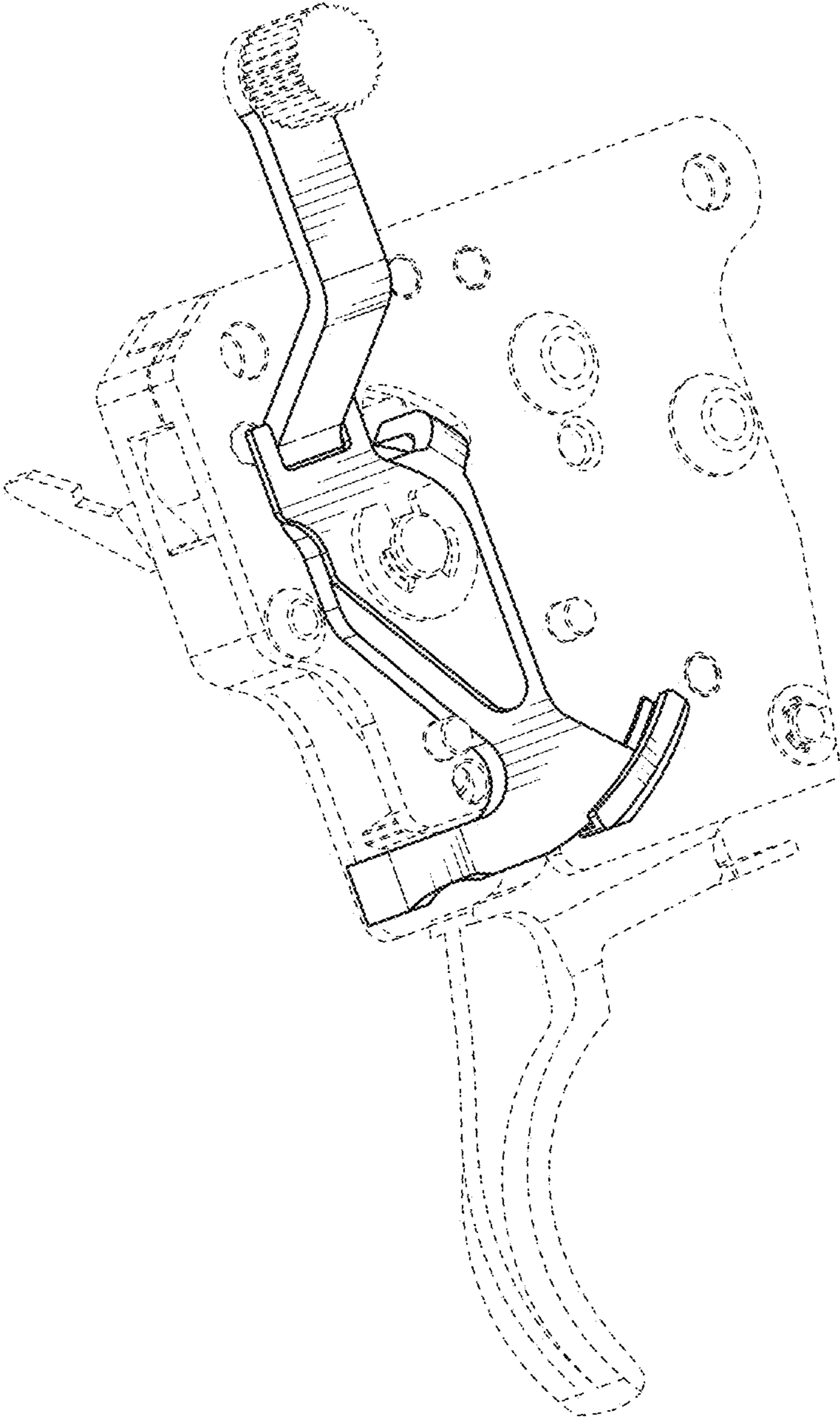


FIG. 1

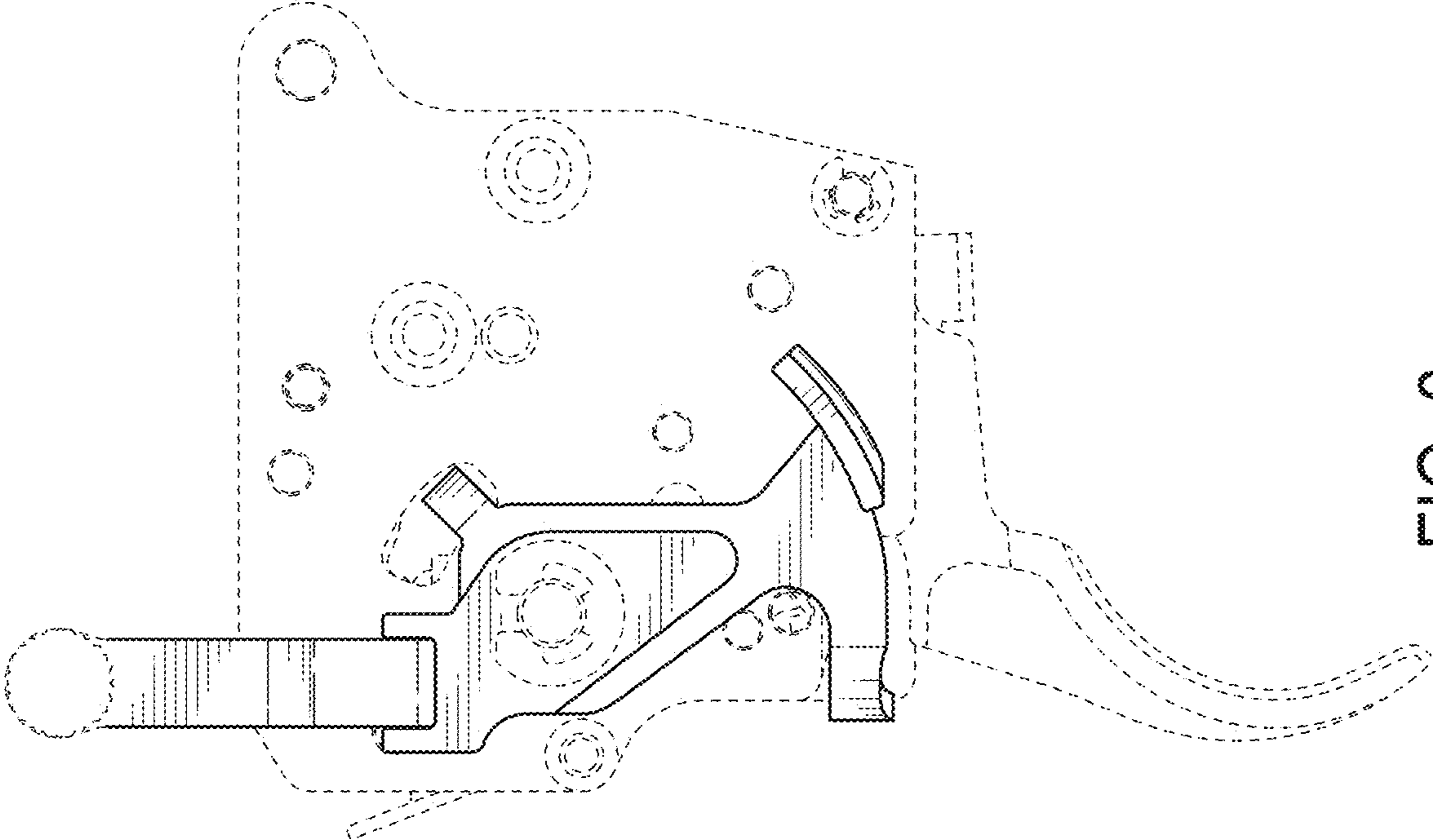


FIG. 3

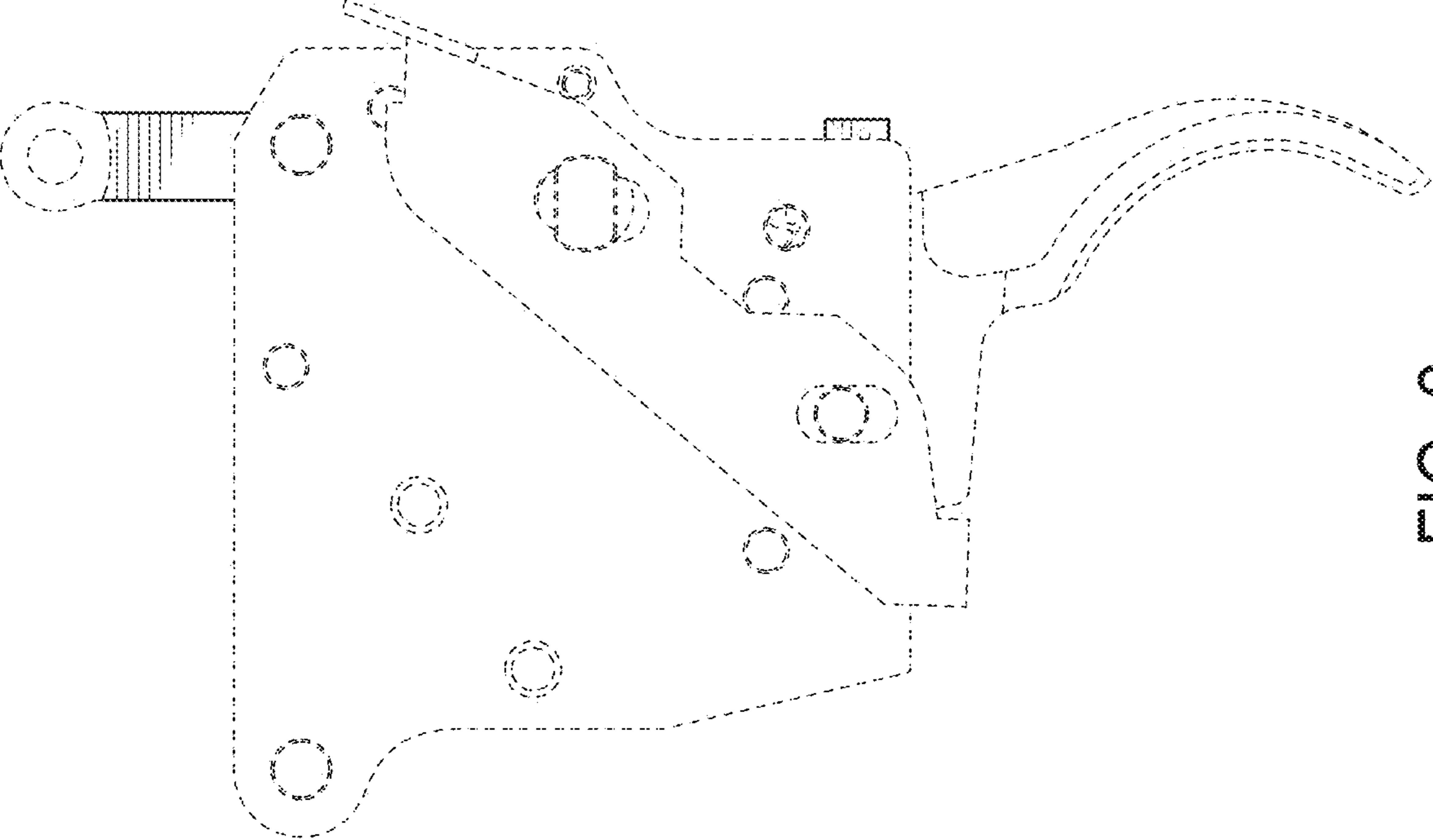


FIG. 2

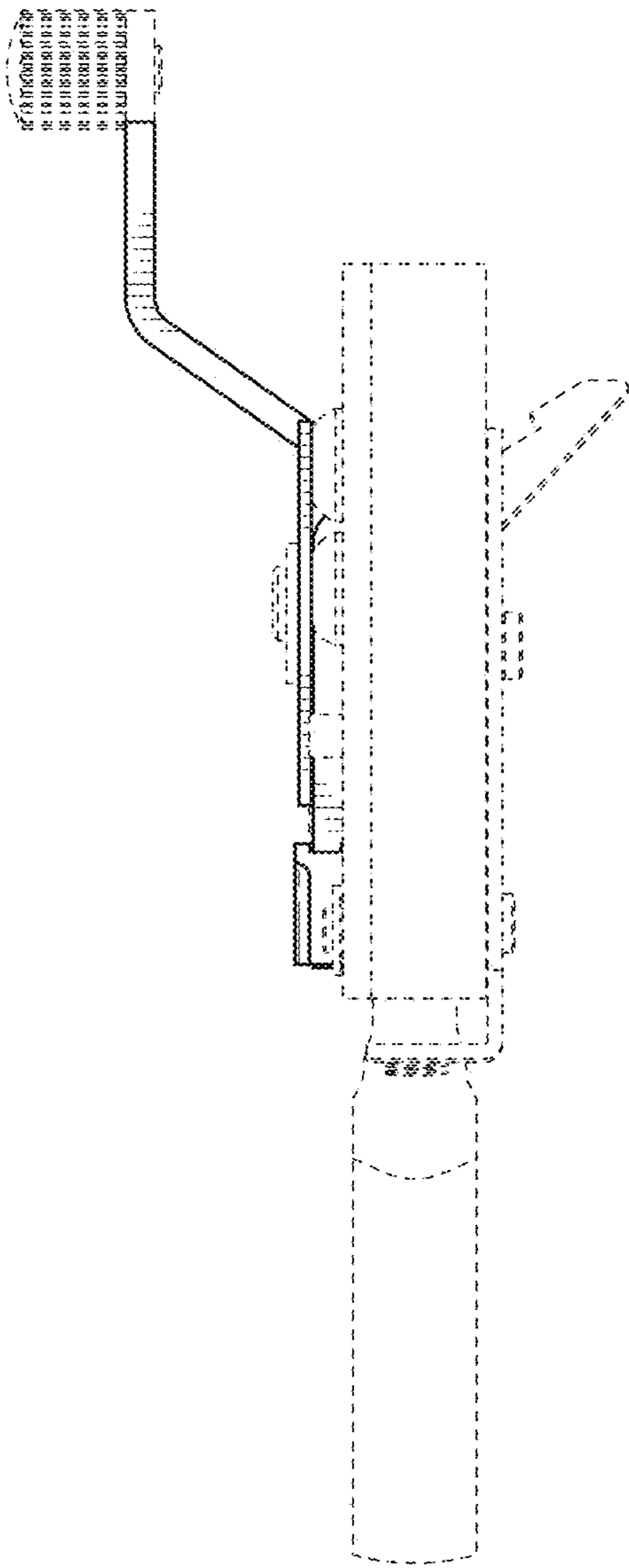


FIG. 4

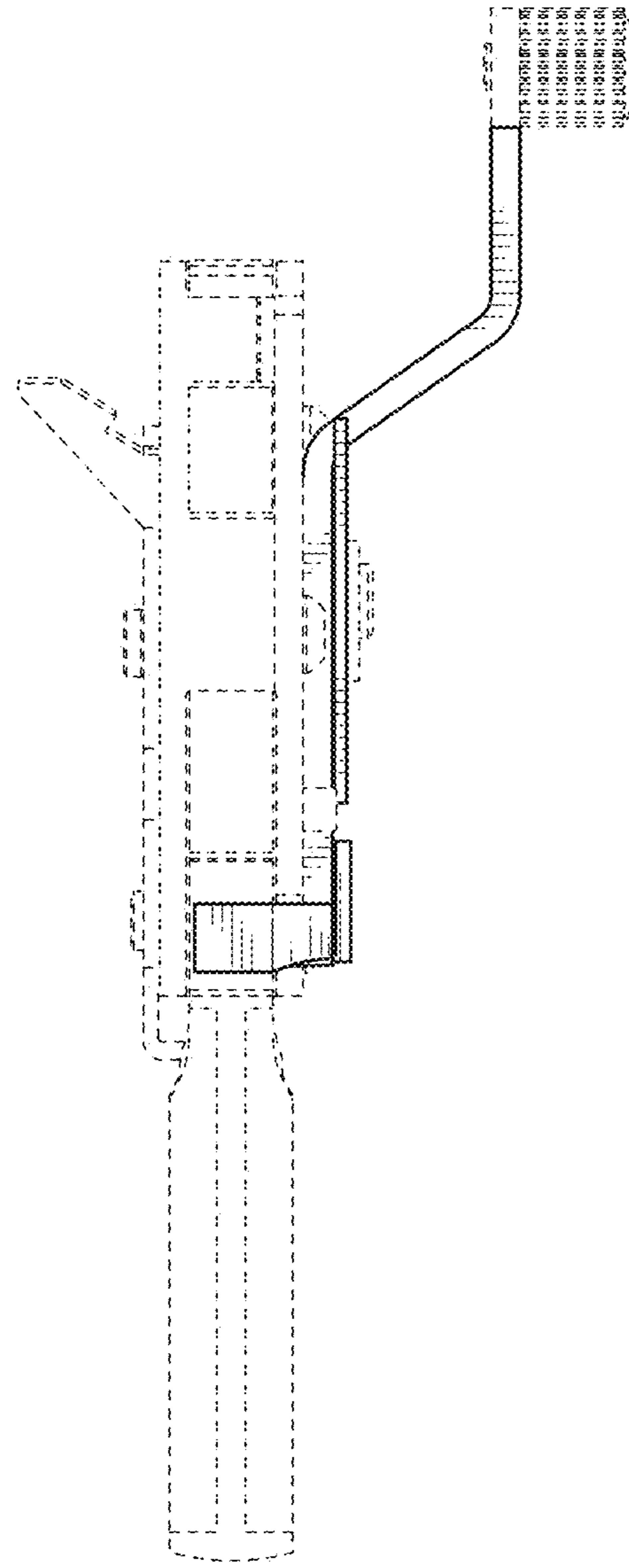


FIG. 5

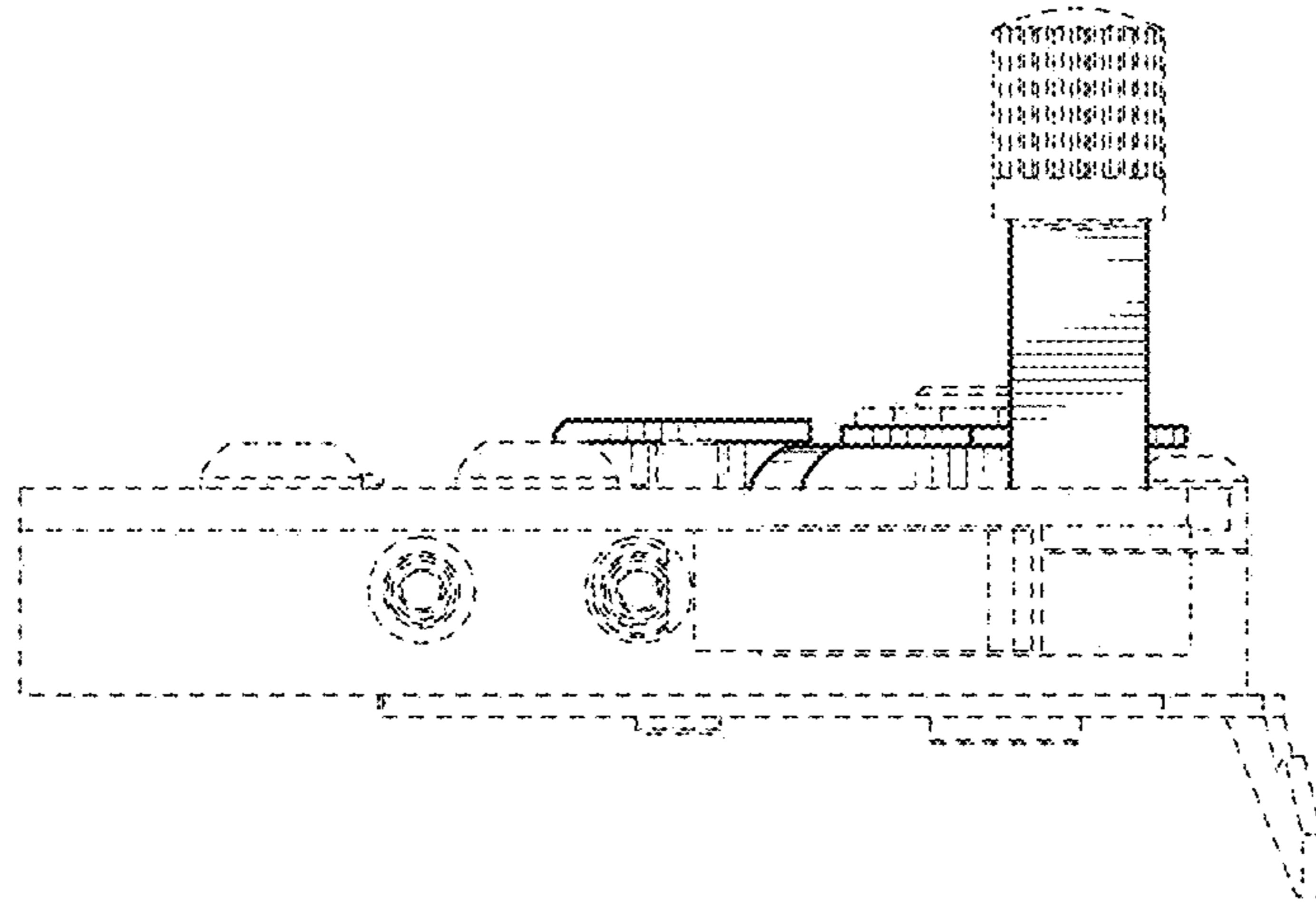


FIG. 6

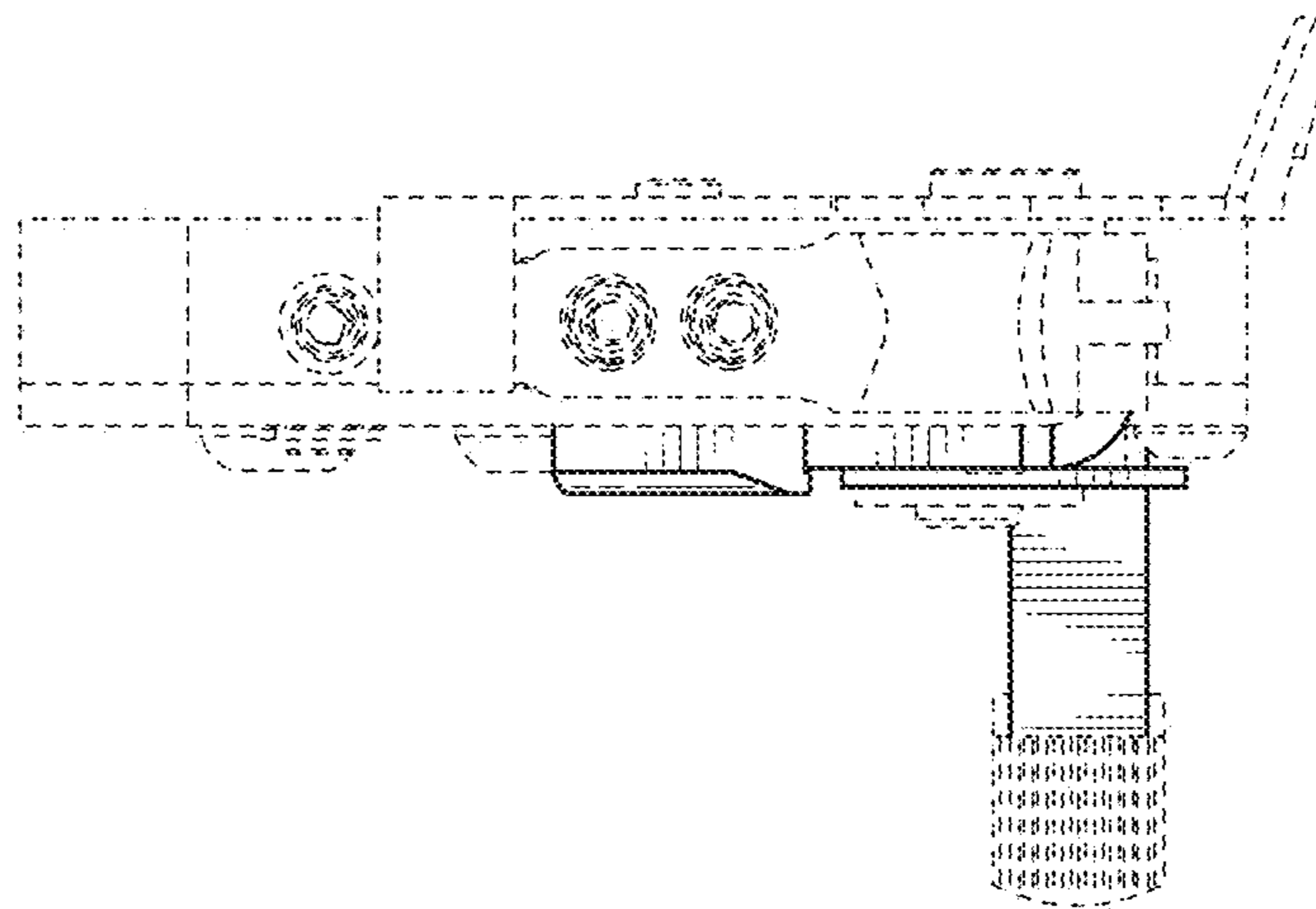


FIG. 7