



US00D936166S

(12) **United States Design Patent** (10) **Patent No.:** **US D936,166 S**
Ehmer (45) **Date of Patent:** **** Nov. 16, 2021**

(54) **INTERLOCKING ELONGATE FLOTATION DEVICE**
(71) Applicant: **Eric Ehmer**, Smithtown, NY (US)
(72) Inventor: **Eric Ehmer**, Smithtown, NY (US)
(**) Term: **15 Years**
(21) Appl. No.: **29/652,346**
(22) Filed: **Jul. 24, 2020**
(51) **LOC (13) Cl.** **21-02**
(52) **U.S. Cl.**
USPC **D21/803**
(58) **Field of Classification Search**
USPC D21/801, 803, 808, 809; D6/595, 596,
D6/597, 598, 601
CPC B63B 32/20; B63B 32/22; B63B 32/51;
B63B 32/54; B63B 35/58; B63B 35/607;
B63B 35/613; B63B 35/62
See application file for complete search history.

(56) **References Cited**
U.S. PATENT DOCUMENTS
4,564,308 A * 1/1986 Ikegami A44C 5/14
224/164
8,613,544 B2 * 12/2013 Kitahara B29C 70/70
368/282

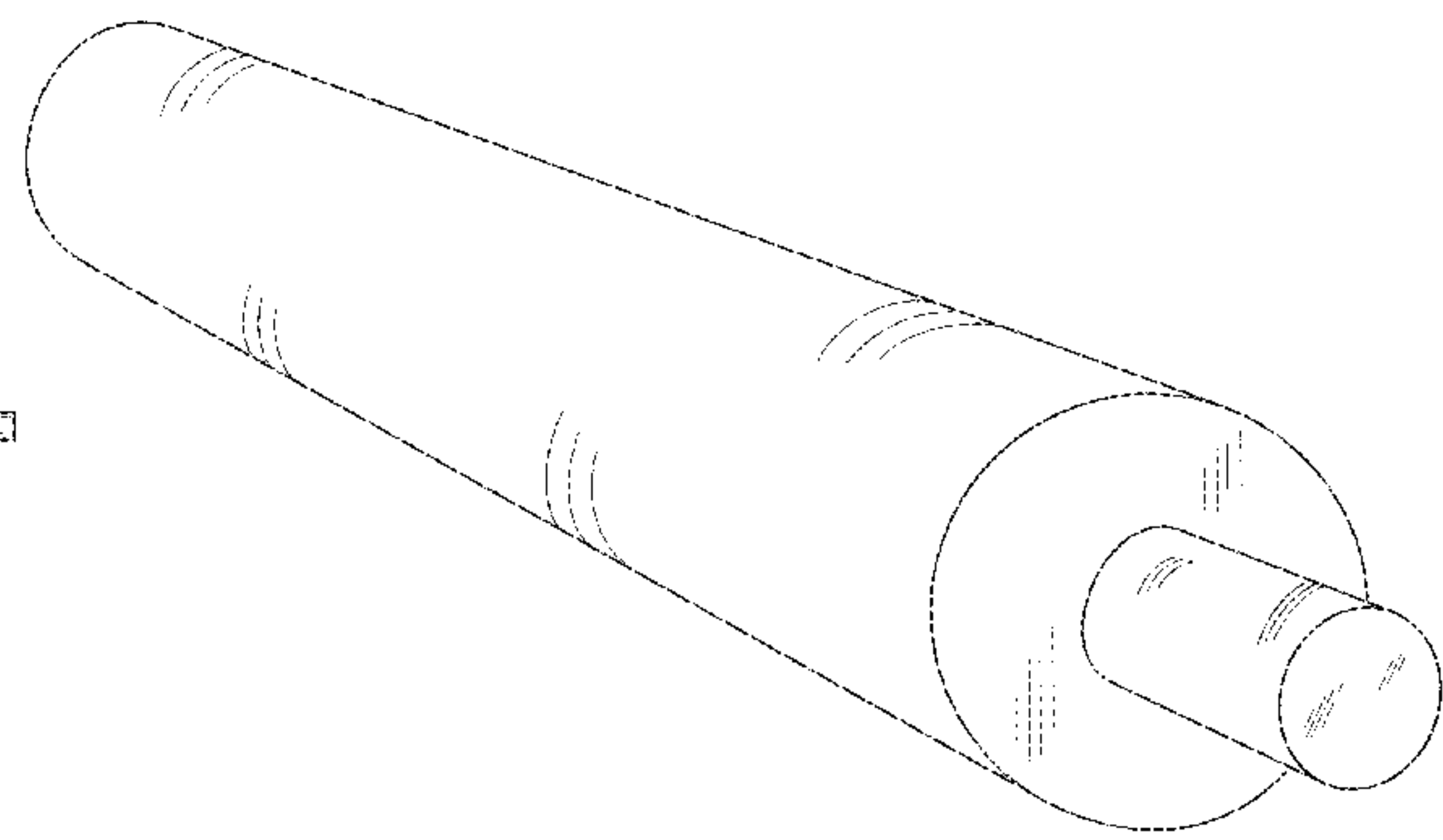
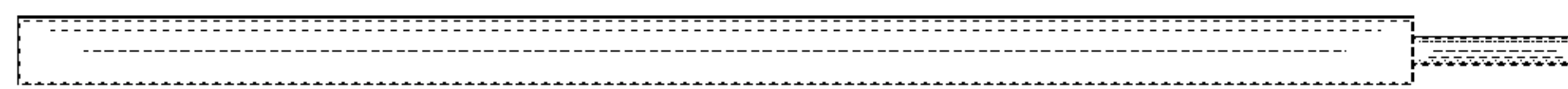
8,672,818 B2 * 3/2014 Welch A61H 1/008
482/132
9,186,272 B1 * 11/2015 Kussow A61F 5/05808
D746,933 S * 1/2016 Arnold D21/803
9,314,071 B2 * 4/2016 Rivera A44C 5/14
2015/0289690 A1 * 10/2015 Parker A47G 19/2205
220/560
2015/0321111 A1 * 11/2015 Samlaska A63H 33/106
446/124

* cited by examiner
Primary Examiner — Zenia I Bennett
(74) *Attorney, Agent, or Firm* — Craig Thompson;
Thompson Patent Law; Timothy D. Snowden

(57) **CLAIM**
The ornamental design for a interlocking elongate flotation device, as shown and described.

DESCRIPTION
FIG. 1 is a front elevation view of a interlocking elongate flotation device, the device being cylindrical and, thus, having identical front, rear, top, and bottom elevation views; FIG. 2 is a left end elevation view thereof; FIG. 3 is a right end elevation view thereof; FIG. 4 is a perspective view thereof from a right end; and, FIG. 5 is a perspective view thereof from a left end. The portions of the interlocking elongate flotation device shown in broken lines form no part of the claimed design.

1 Claim, 3 Drawing Sheets



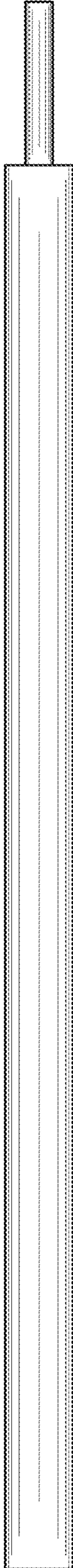


FIG. 1

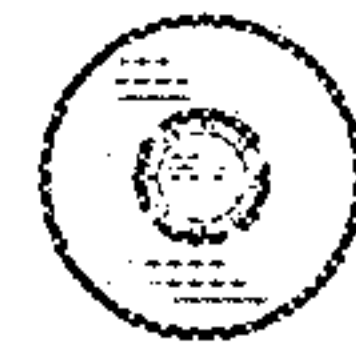


FIG. 2



FIG. 3

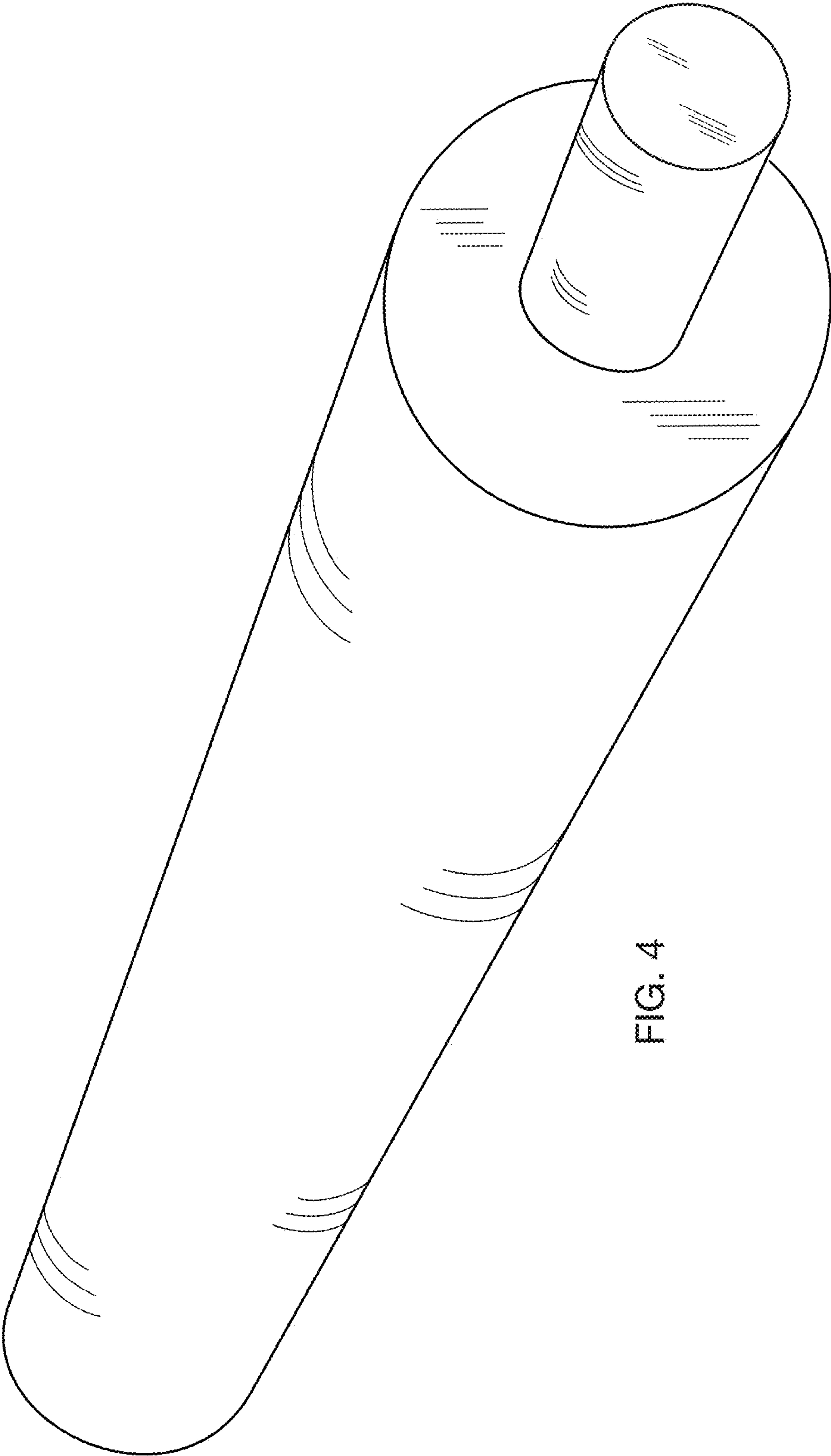


FIG. 4

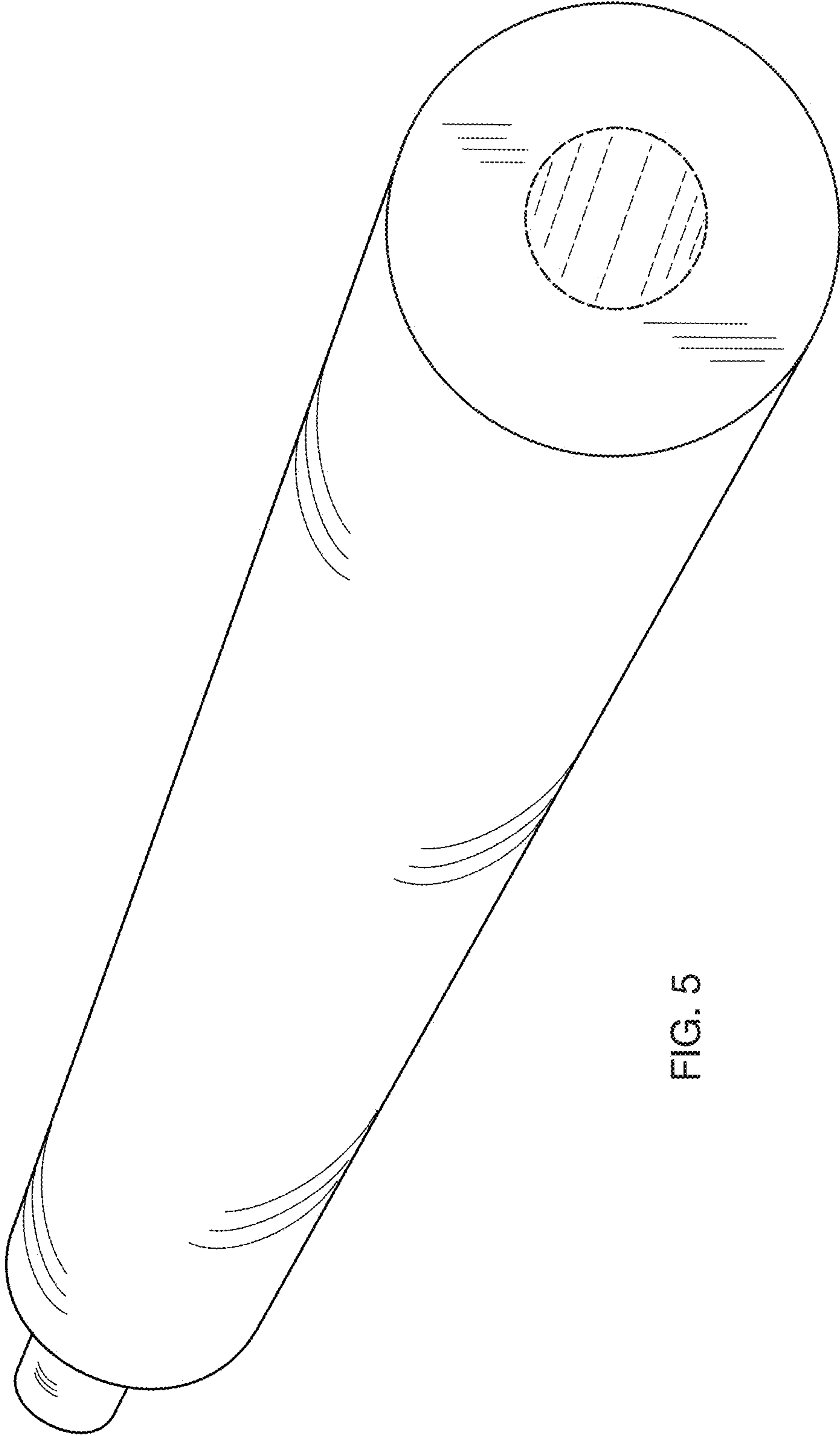


FIG. 5