



US00D936165S

(12) **United States Design Patent** (10) **Patent No.:** **US D936,165 S**
Chen (45) **Date of Patent:** **** Nov. 16, 2021**

(54) **SKATEBOARD**

(71) Applicant: **Wang-Chuan Chen**, Taichung (TW)

(72) Inventor: **Wang-Chuan Chen**, Taichung (TW)

(**) Term: **15 Years**

(21) Appl. No.: **29/683,212**

(22) Filed: **Mar. 12, 2019**

(51) **LOC (13) Cl.** **21-02**

(52) **U.S. Cl.**
USPC **D21/771**

(58) **Field of Classification Search**
USPC D21/419, 421, 423, 760, 763, 765, 771;
D12/1
CPC . A63C 17/0001; A63C 17/011; A63C 17/012;
A63C 17/013; A63C 17/014; A63C
17/015; A63C 17/017; A63C 2203/42
See application file for complete search history.

(56) **References Cited**

U.S. PATENT DOCUMENTS

D439,945 S *	4/2001	Kent	D21/771
D477,648 S *	7/2003	Smith	D21/771
7,044,485 B2 *	5/2006	Kent	A63C 17/0093 280/11.28
D620,847 S *	8/2010	Andrews	D12/159
D660,932 S *	5/2012	Wilson	D21/771
9,199,157 B2 *	12/2015	Yamada	A63C 17/012
D888,858 S *	6/2020	Fugel	D21/771
2005/0051984 A1 *	3/2005	Williams	A63C 17/012 280/87.042
2005/0093253 A1 *	5/2005	Cheng	A63C 17/01 280/11.28

2013/0308887 A1 *	11/2013	Gesmer	B60B 27/0005 384/523
2015/0130156 A1 *	5/2015	Docter	A63C 17/0093 280/124.114
2015/0145226 A1 *	5/2015	Tolman	A63C 17/017 280/87.042
2018/0280787 A1 *	10/2018	Wahba	A63C 17/012
2018/0304143 A1 *	10/2018	Molinary	A63C 17/012
2020/0070037 A1 *	3/2020	Kwan	A63C 17/012
2020/0179791 A1 *	6/2020	Williams, Jr.	A63C 17/015

* cited by examiner

Primary Examiner — Cynthia M. Chin

(74) *Attorney, Agent, or Firm* — Alan D. Kamrath; Karin L. Williams; Mayer & Williams PC

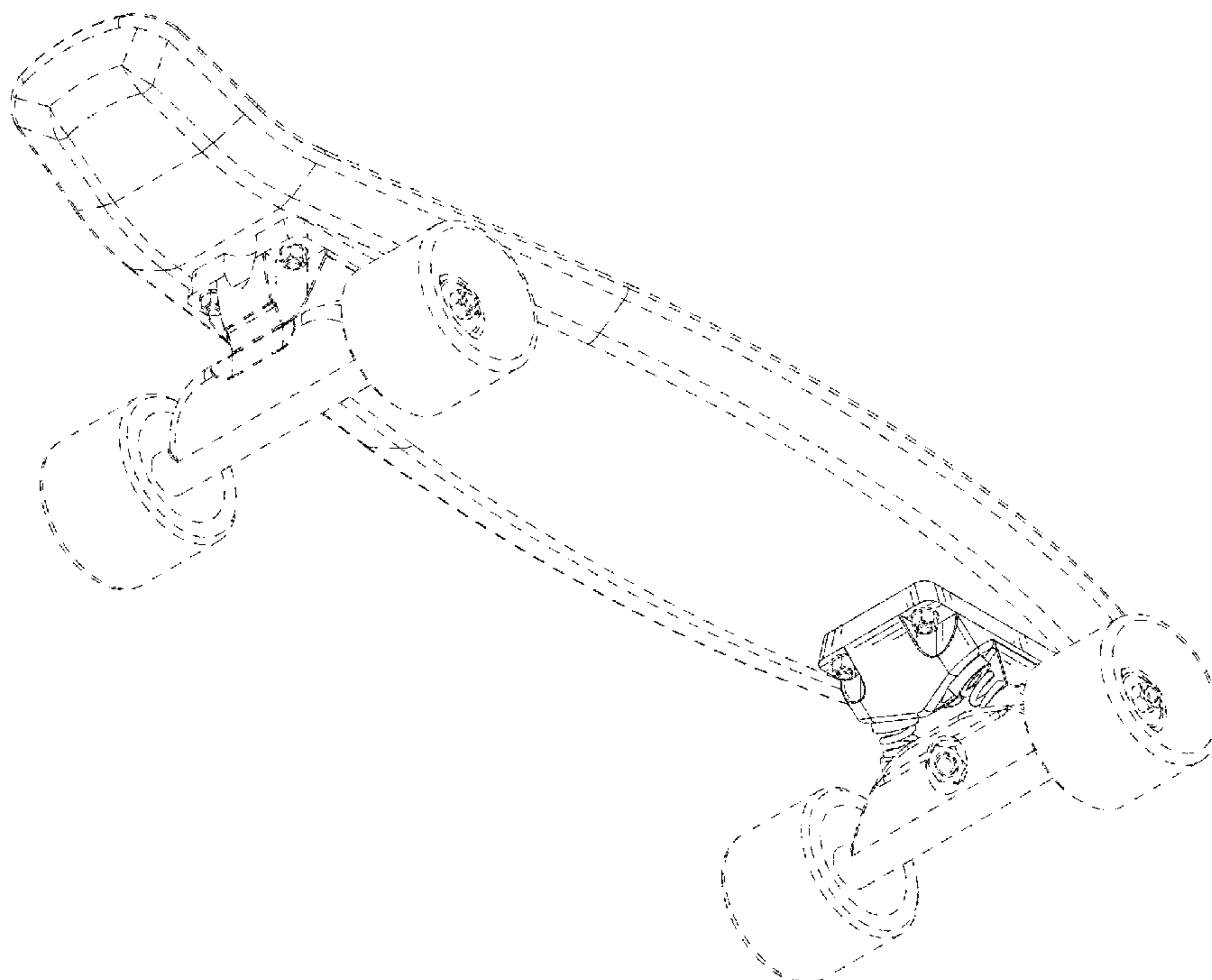
(57) **CLAIM**

The ornamental design for a skateboard, as shown and described.

DESCRIPTION

FIG. 1 is a perspective view of a skateboard showing my new design;
FIG. 2 is a front view thereof;
FIG. 3 is a rear view thereof;
FIG. 4 is a left view thereof;
FIG. 5 is a right view thereof;
FIG. 6 is a top view thereof;
FIG. 7 is a bottom view thereof; and,
FIG. 8 is another perspective view thereof.
The broken lines immediately adjacent the shaded areas represent the bounds of the claim and all other broken lines represent portions of the skateboard that form no part of the claimed design. None of the broken lines form a part of the claim.

1 Claim, 8 Drawing Sheets



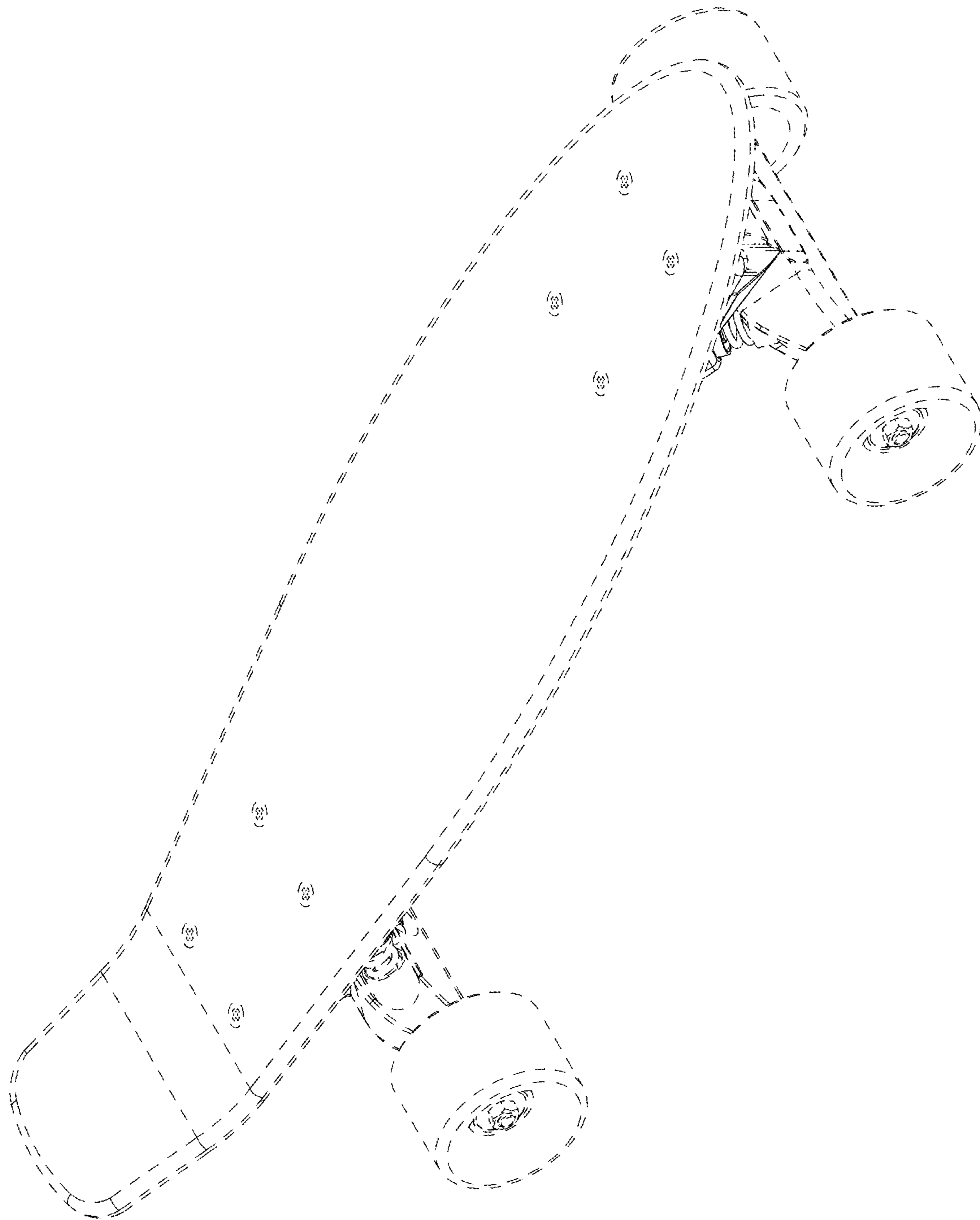


FIG. 1

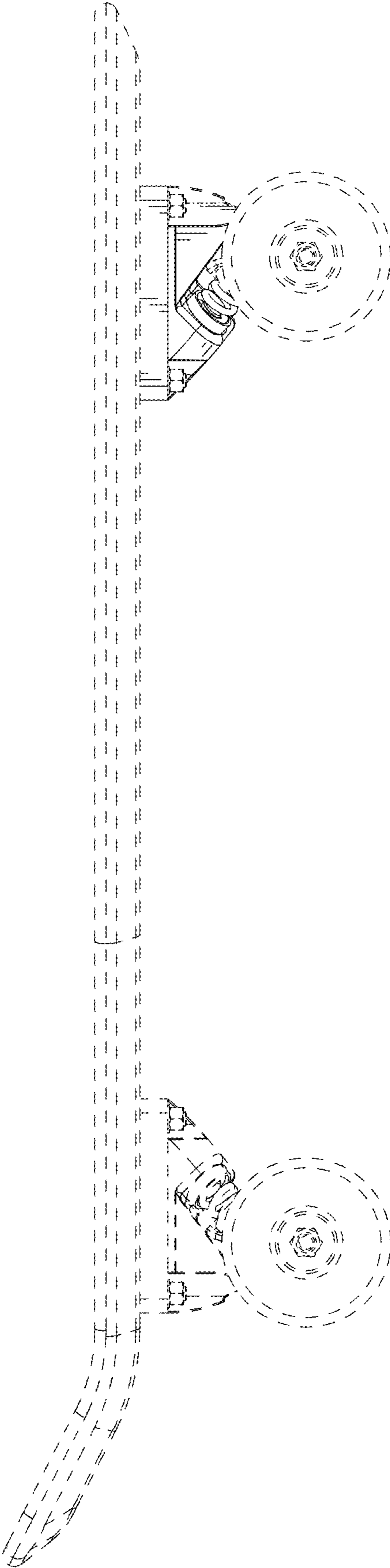


FIG. 2

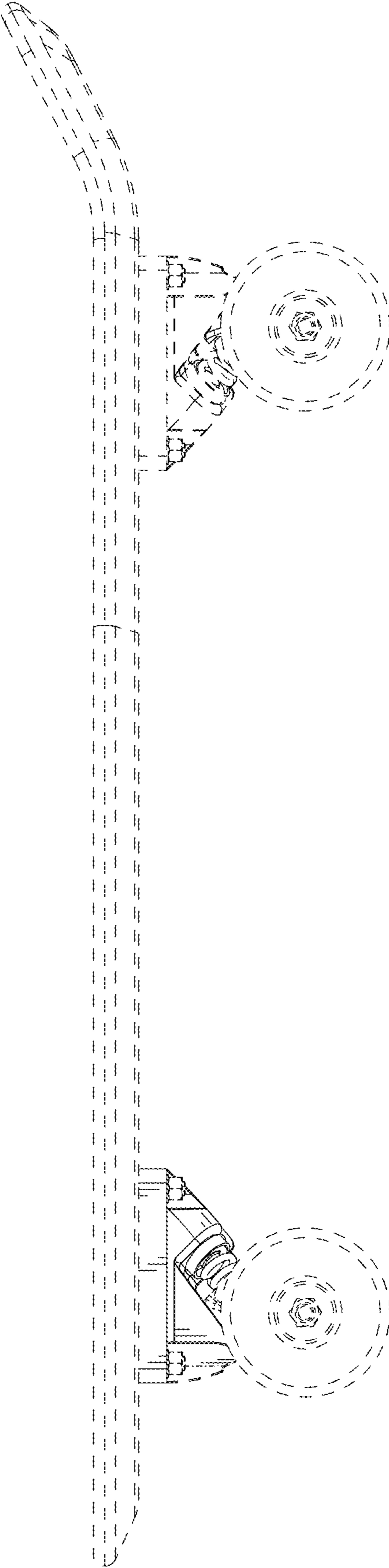


FIG. 3

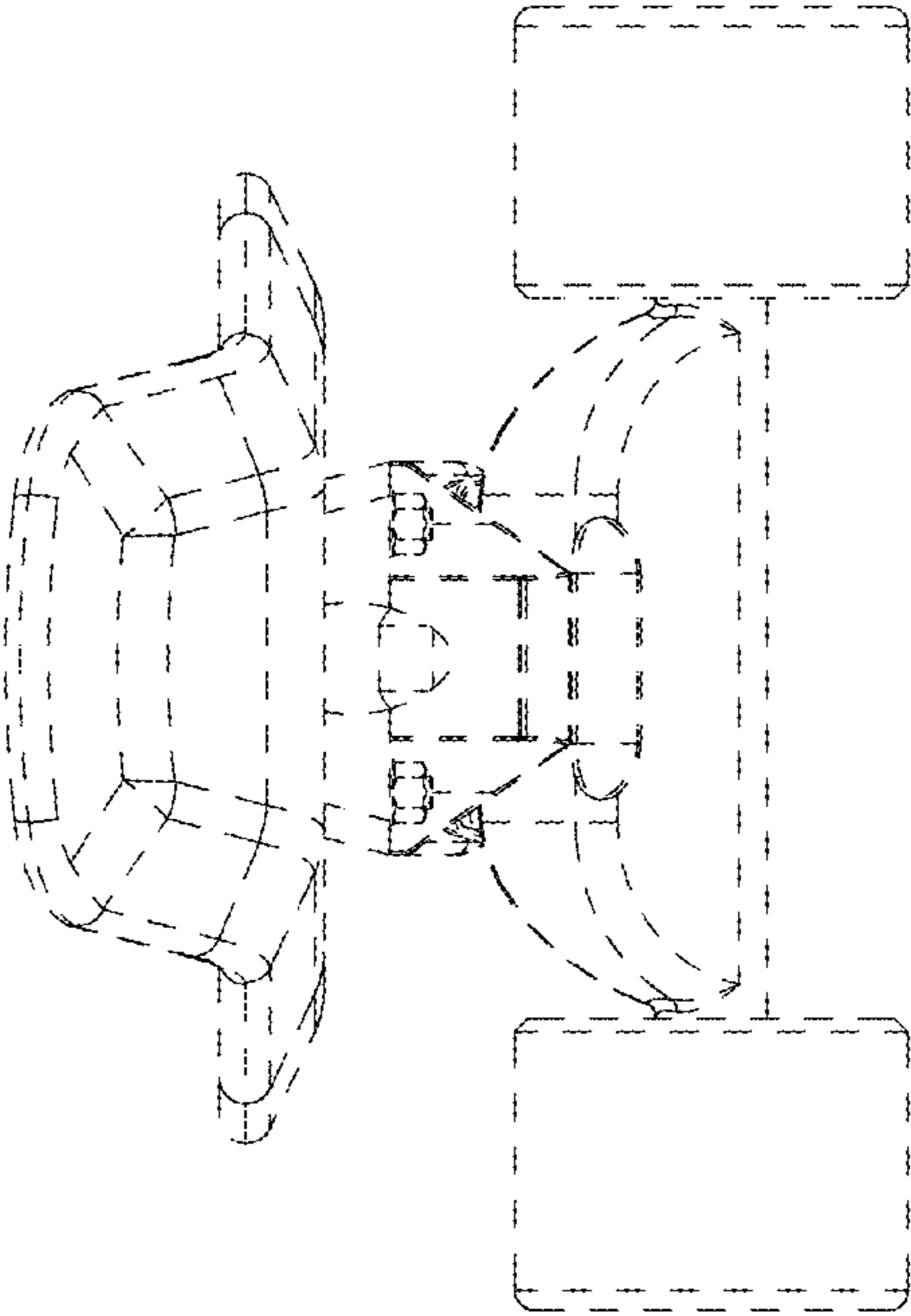


FIG. 4

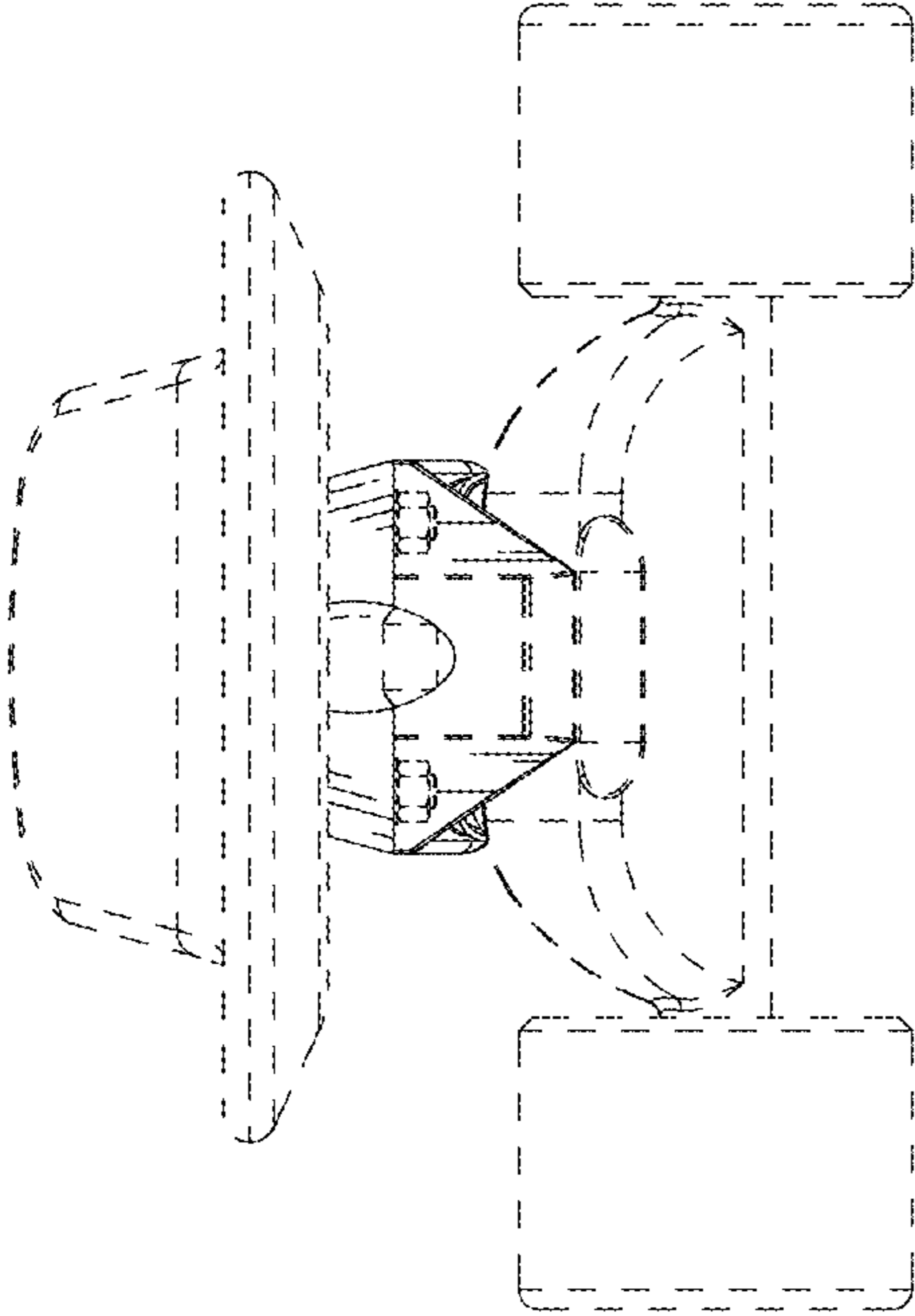


FIG. 5

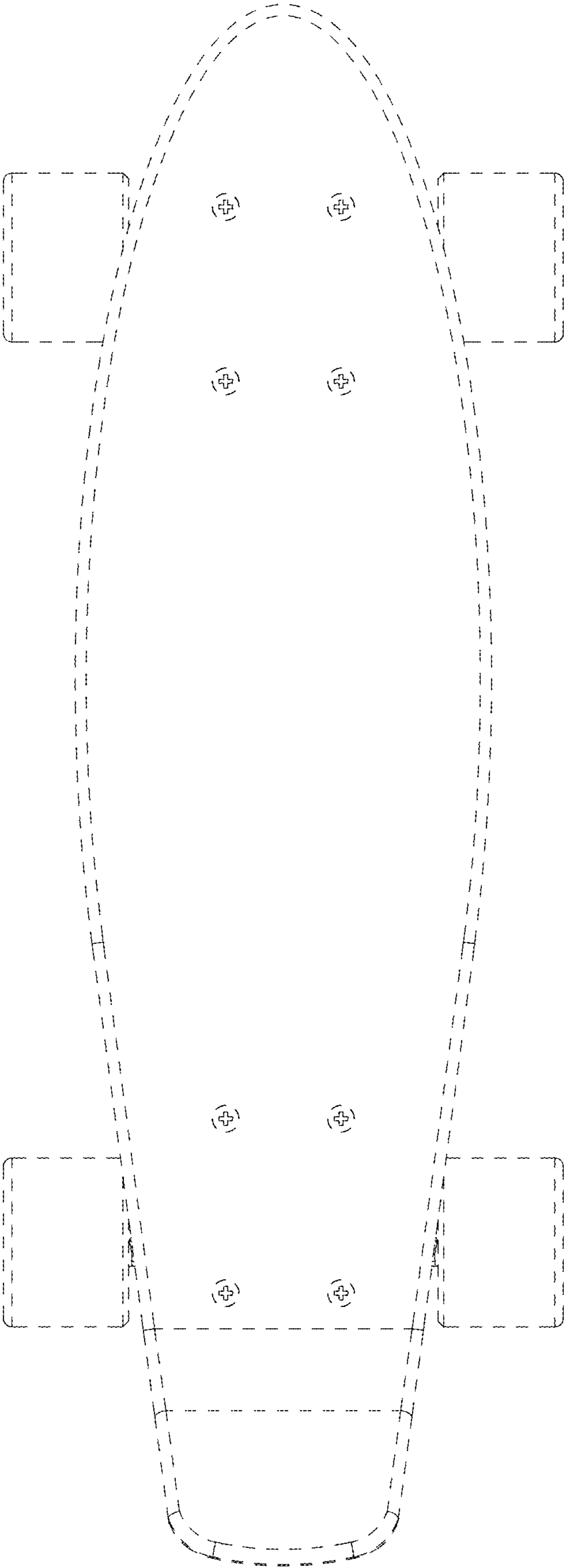


FIG. 6

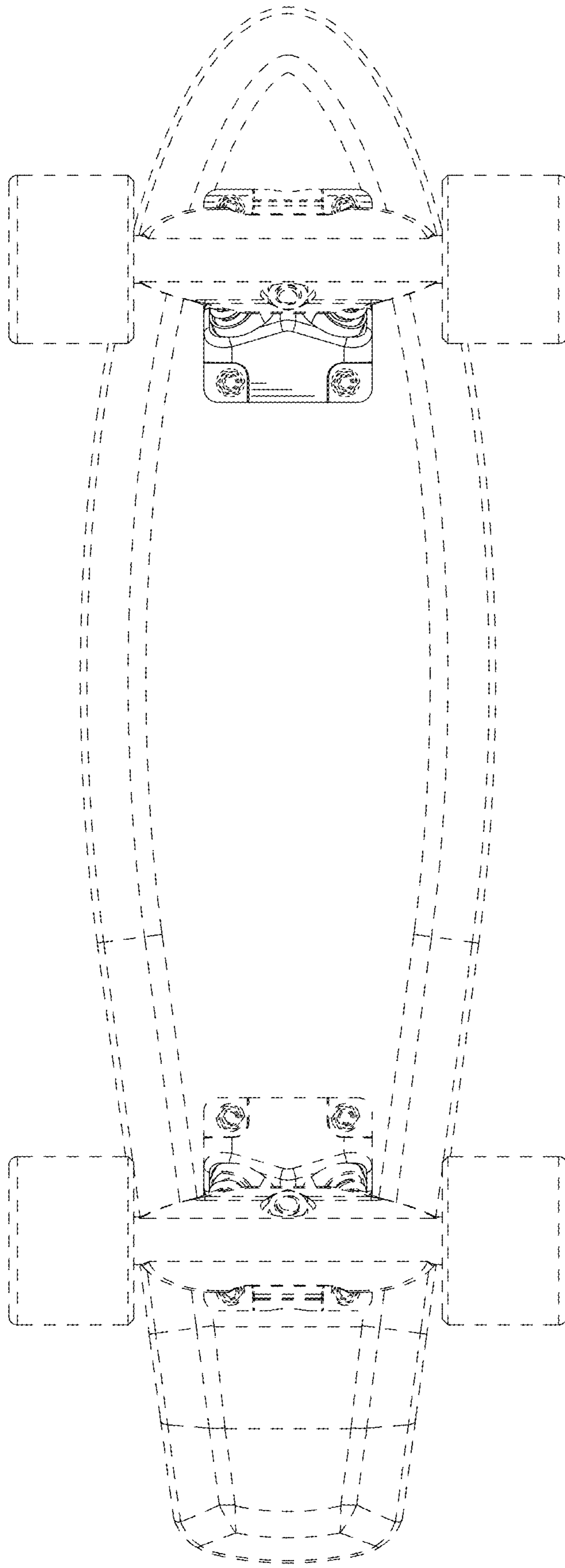


FIG. 7

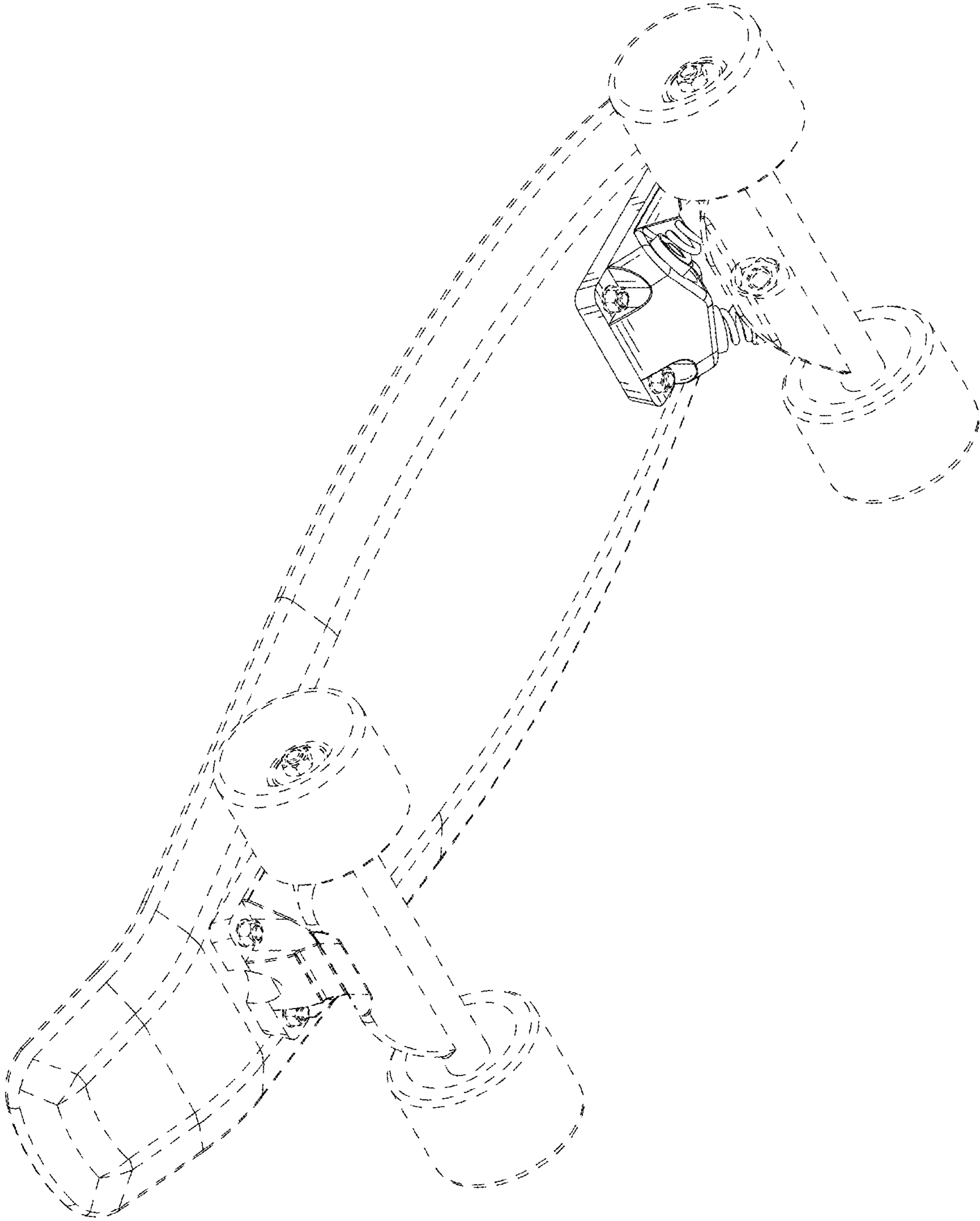


FIG. 8