



US00D936161S

(12) **United States Design Patent**
Smith

(10) **Patent No.:** **US D936,161 S**

(45) **Date of Patent:** **** Nov. 16, 2021**

(54) **WATER ROWER**

(71) Applicant: **HOT Brands, LLC**, Marrero, LA (US)

(72) Inventor: **Stephen Smith**, Marrero, LA (US)

(**) Term: **15 Years**

(21) Appl. No.: **29/726,344**

(22) Filed: **Mar. 3, 2020**

(51) **LOC (13) Cl.** **21-02**

(52) **U.S. Cl.**
USPC **D21/674**

(58) **Field of Classification Search**
USPC D21/674, 662, 687, 694, 695, 801, 673
See application file for complete search history.

(56) **References Cited**

U.S. PATENT DOCUMENTS

- 4,047,715 A * 9/1977 Gjessing A63B 21/157
482/64
- 10,449,410 B2 * 10/2019 Hamilton A63B 21/00072
- 10,967,219 B2 * 4/2021 Reinhardt A63B 21/0088
- 2012/0100965 A1 * 4/2012 Dreissigacker A63B 21/157
482/72
- 2013/0150216 A1 * 6/2013 Bell A63B 23/0222
482/72

- 2019/0374808 A1* 12/2019 Huang A63B 21/4034
- 2020/0269122 A1* 8/2020 Zitvogel A63B 24/0062

* cited by examiner

Primary Examiner — Khawaja Anwar

Assistant Examiner — Julice Seung Eun Oum

(74) *Attorney, Agent, or Firm* — Pugh Accardo, LLC;
David M. Stein

(57) **CLAIM**

The ornamental design for a water rower, as shown and described.

DESCRIPTION

FIG. 1 is a right perspective view of a water rower showing the new design.

FIG. 2 is a rear view thereof.

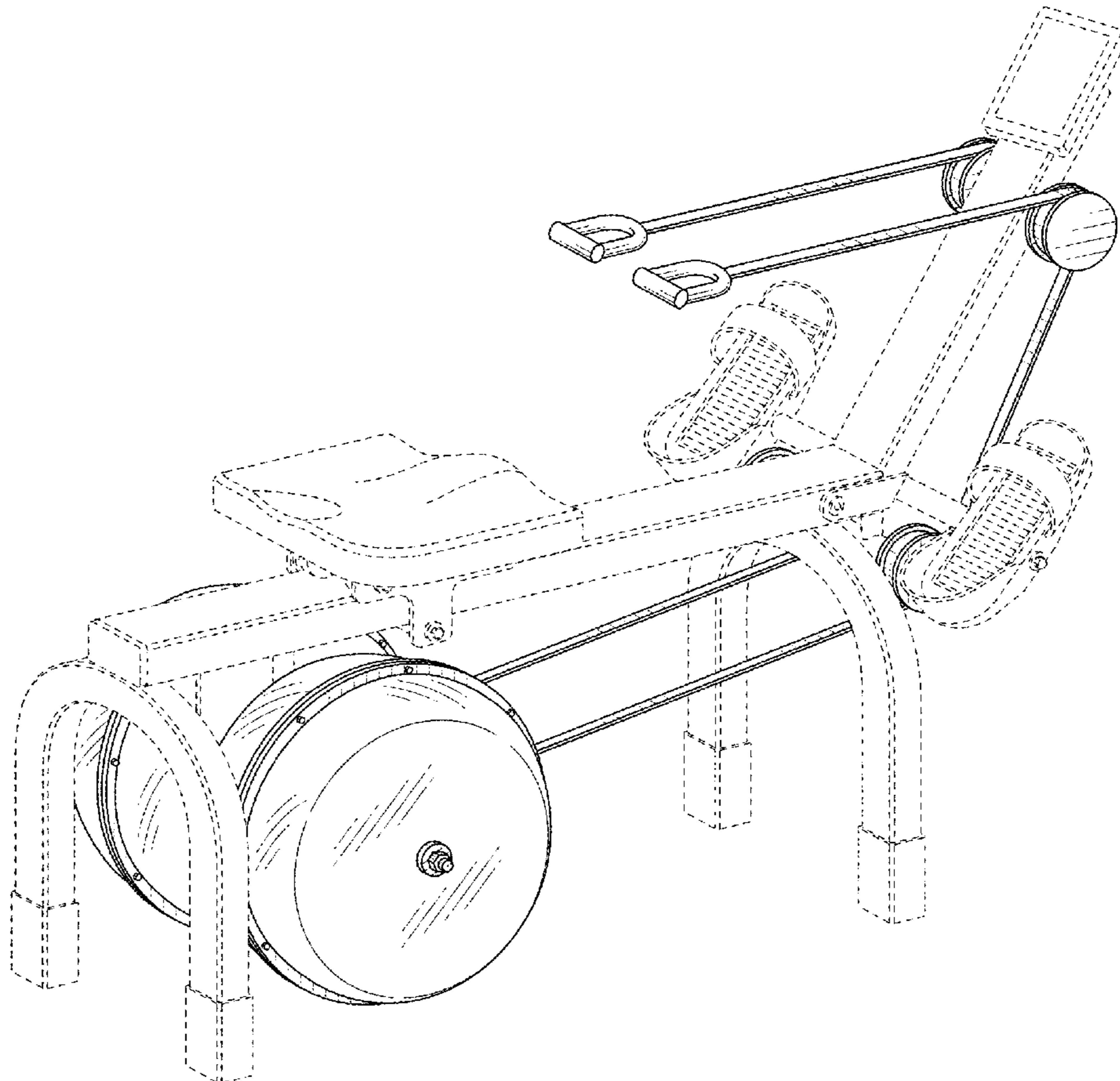
FIG. 3 is a front view thereof.

FIG. 4 is a left side view thereof; and,

FIG. 5 is a right side view thereof.

Any shading and cross-hatching are not features of the design but are utilized to illustrate the surface contours of the crawfish pie design in the drawings. It will be understood that the dashed lines presented in the drawings are for illustration only, and do not form a part of the claimed design.

1 Claim, 4 Drawing Sheets



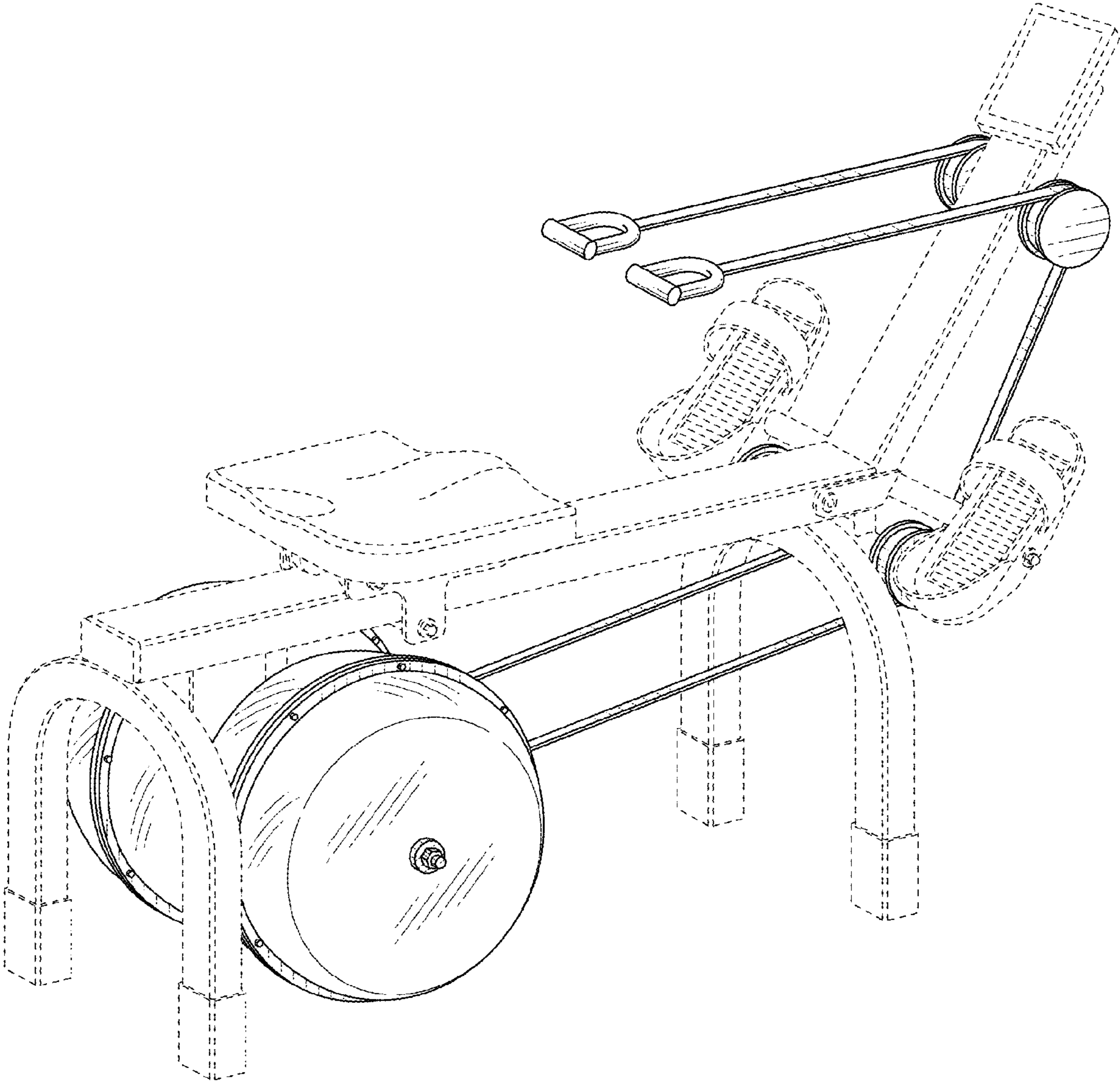


FIG. 1

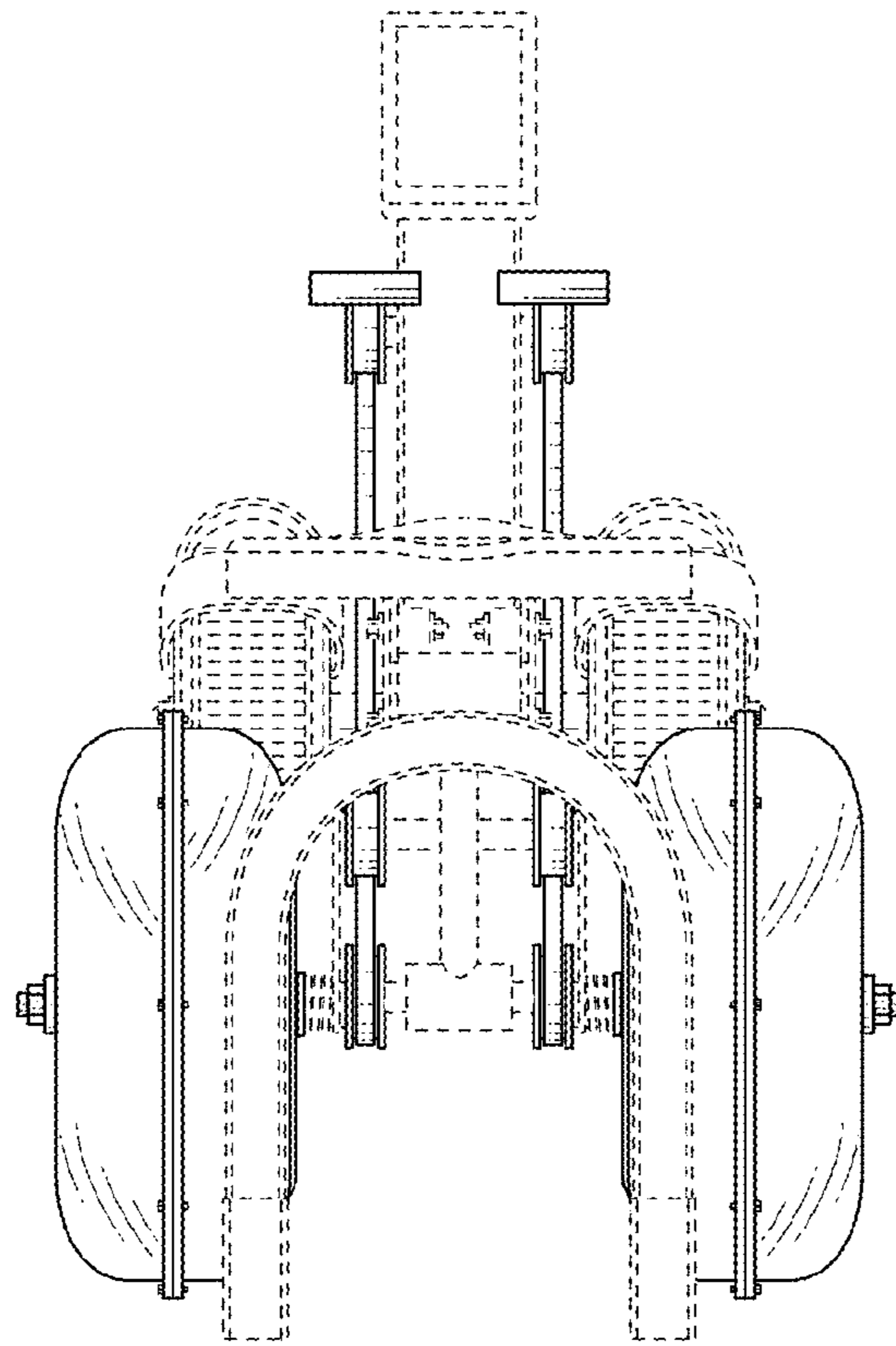


FIG. 2

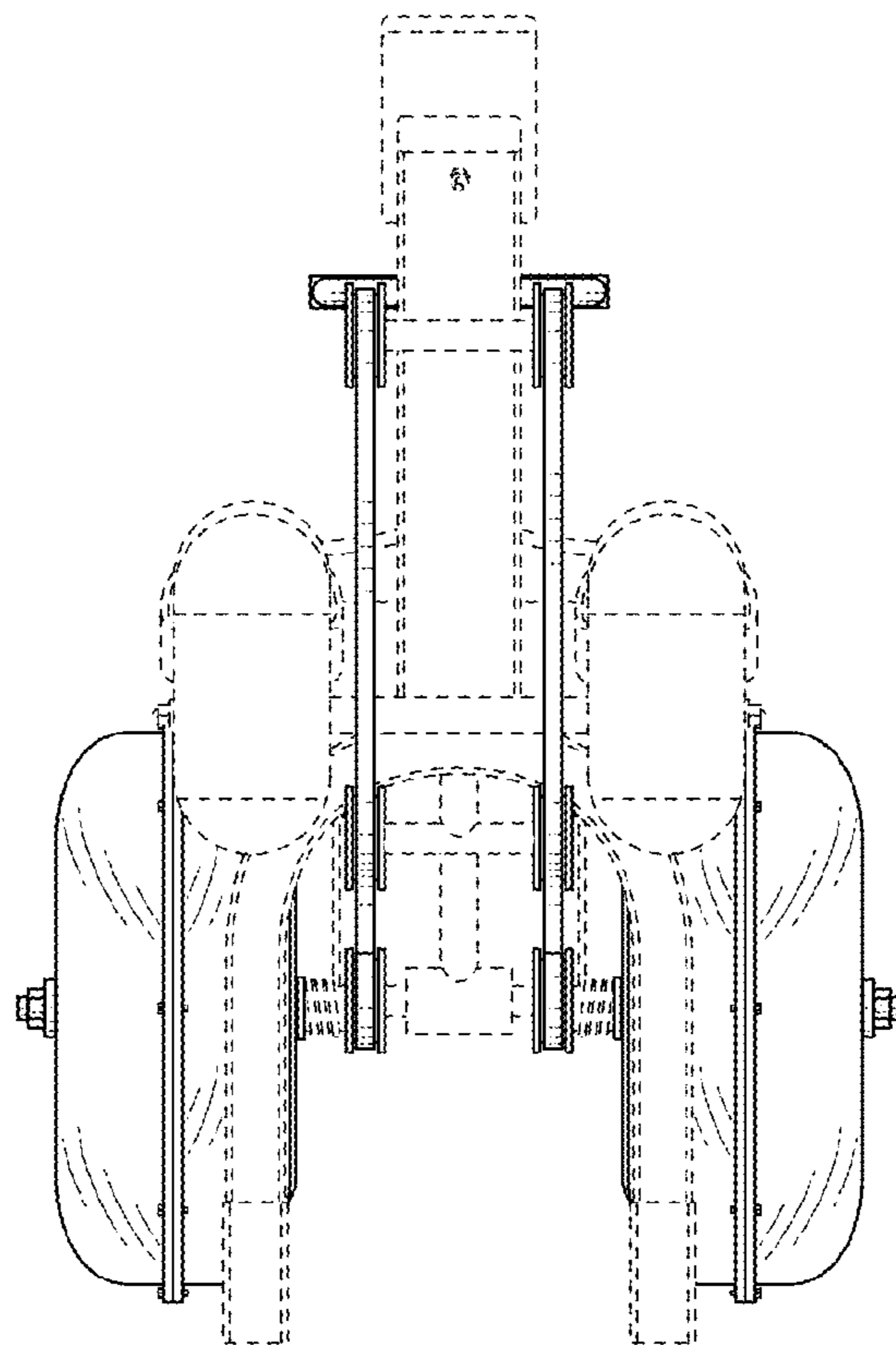


FIG. 3

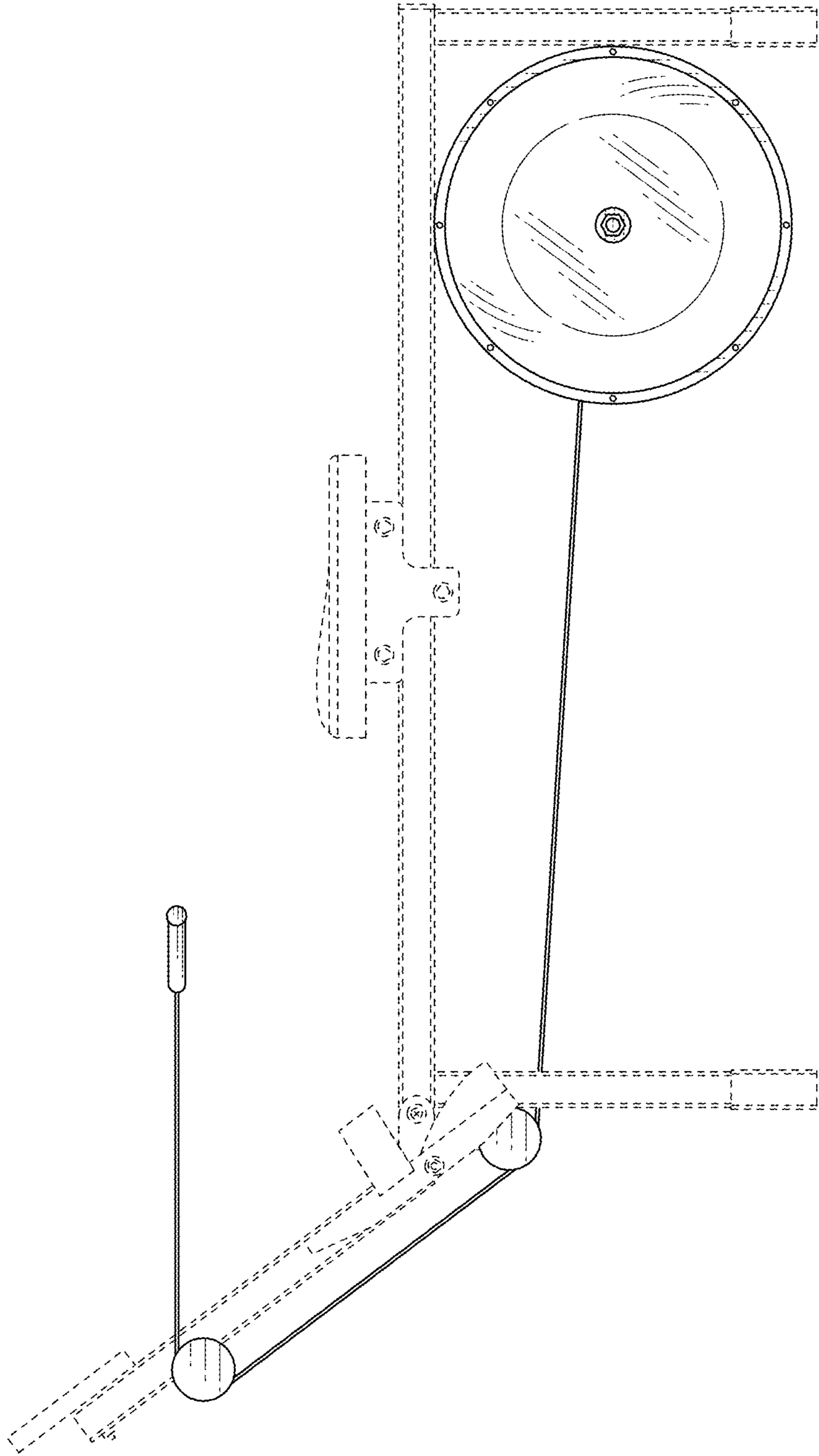


FIG. 4

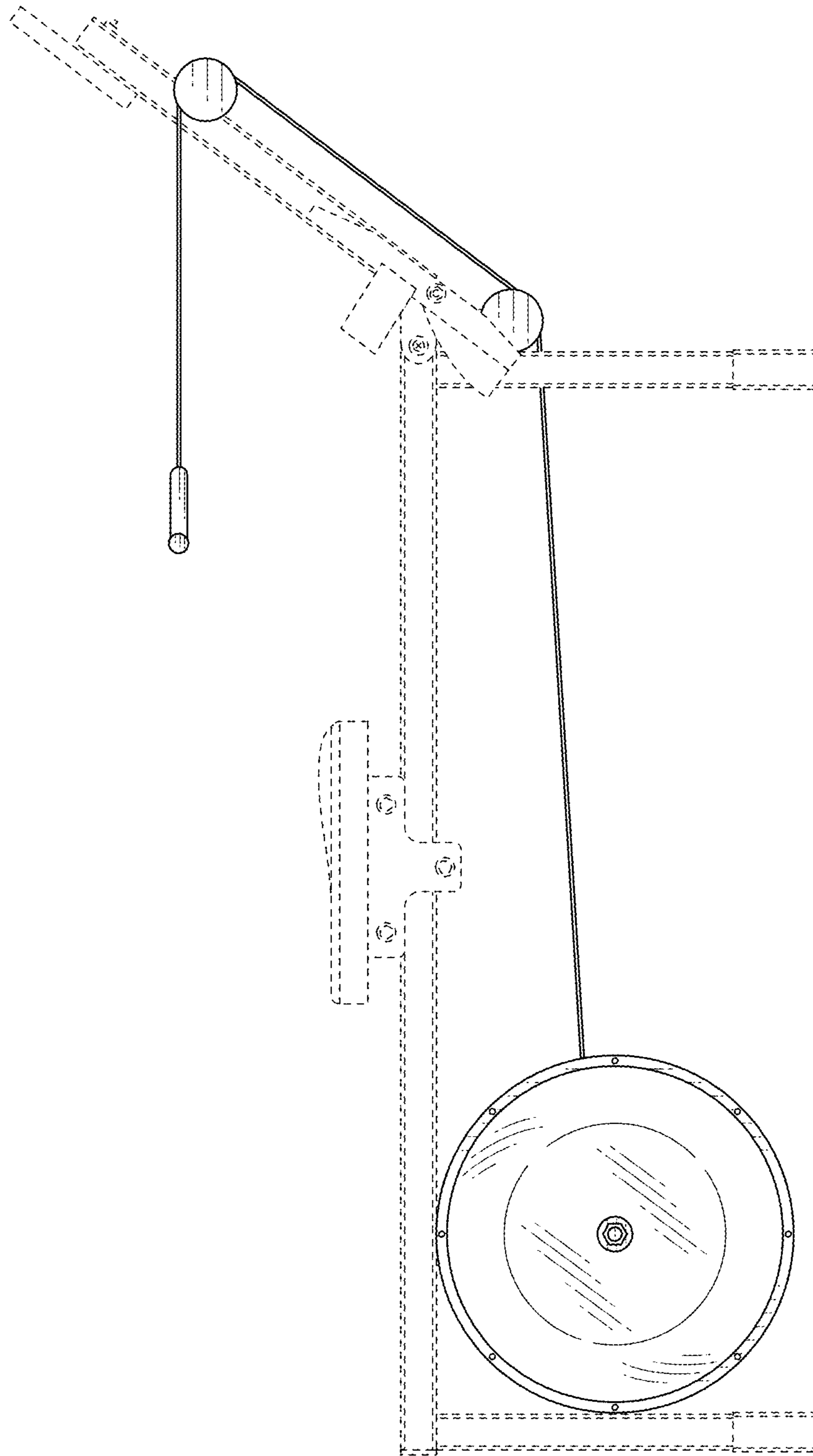


FIG. 5