



US00D936160S

(12) **United States Design Patent** (10) **Patent No.:** **US D936,160 S**
Blum et al. (45) **Date of Patent:** **** Nov. 16, 2021**

(54) **STATIONARY ROWING MACHINE**

FOREIGN PATENT DOCUMENTS

(71) Applicant: **Brunswick Corporation**, Mettawa, IL (US)

JP D1315443 11/2007
JP D1599481 3/2018

(Continued)

(72) Inventors: **Matthew P. Blum**, Chicago, IL (US);
Paul Melvin Taylor, Lake in the Hills, IL (US)

OTHER PUBLICATIONS

Notice of Allowance for Corresponding Taiwanese Design Application No. 108306074, dated Apr. 16, 2020.

(Continued)

(73) Assignee: **Life Fitness, LLC**, Franklin Park, IL (US)

Primary Examiner — Ryan Harvey

(74) *Attorney, Agent, or Firm* — Andrus Intellectual Property Law, LLP

(**) Term: **15 Years**

(21) Appl. No.: **29/686,088**

(57) **CLAIM**

The ornamental design for a stationary rowing machine, as shown and described.

(22) Filed: **Apr. 2, 2019**

(51) **LOC (13) Cl.** **21-02**

(52) **U.S. Cl.**

USPC **D21/674**

(58) **Field of Classification Search**

USPC D21/676, 674, 695, 666, 694, 686, 690, D21/688, 662, 675, 679; 482/72, 100, 482/121, 70, 73, 96, 71, 9, 5, 142, 112, 482/130, 140, 131, 57, 95, 53, 98, 138, 482/60, 114, 104, 137, 51, 136, 97, 8
CPC A63B 23/0211; A63B 22/0076; A63B 21/068; A63B 2208/0233; A63B 2022/0079; A63B 21/225; A63B 22/0087; A63B 21/153; A63B 21/00069; A63B 69/06

See application file for complete search history.

DESCRIPTION

FIG. 1 is a perspective view of a first embodiment of a stationary rowing machine showing my new design.
FIG. 2 is a side view thereof.
FIG. 3 is an opposite side view thereof.
FIG. 4 is a front view thereof.
FIG. 5 is a rear view thereof.
FIG. 6 is a top view thereof.
FIG. 7 is a bottom view thereof.
FIG. 8 is a perspective view of a second embodiment of a stationary rowing machine showing my new design.
FIG. 9 is a side view thereof.
FIG. 10 is an opposite side view thereof.
FIG. 11 is a front view thereof.
FIG. 12 is a rear view thereof.
FIG. 13 is a top view thereof; and,
FIG. 14 is a bottom view thereof.
The broken lines in the drawings illustrate portions of the stationary rowing machine that are not part of the claimed design.

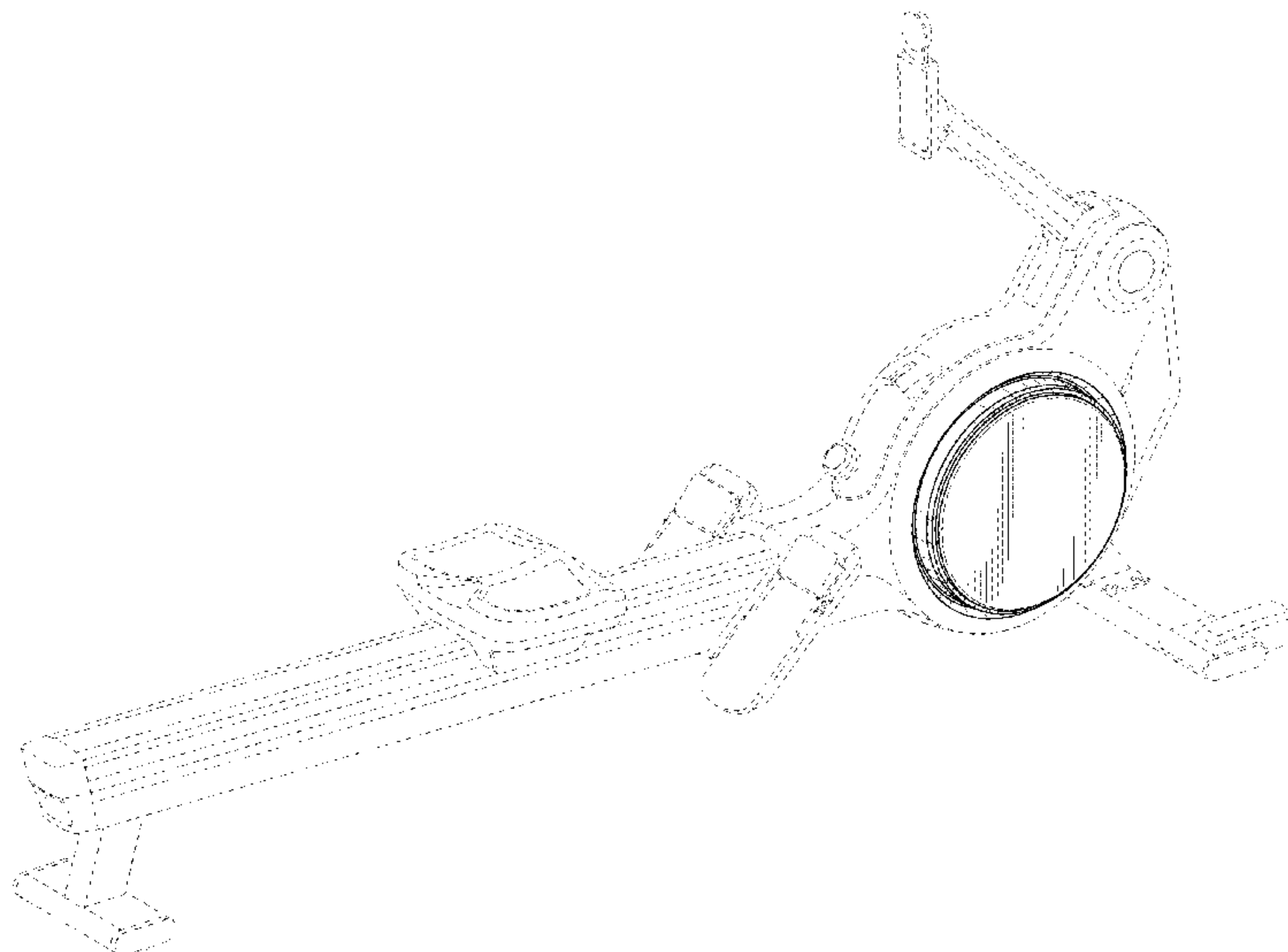
(56) **References Cited**

U.S. PATENT DOCUMENTS

4,997,181 A * 3/1991 Lo A63B 21/0088 482/110
5,370,593 A * 12/1994 Wang A63B 21/0083 482/51
D367,508 S * 2/1996 Dreissigacker D21/674

(Continued)

1 Claim, 14 Drawing Sheets



(56)

References Cited

U.S. PATENT DOCUMENTS

5,707,322 A * 1/1998 Dreissigacker A63B 21/227
482/72
6,090,017 A * 7/2000 Wang A63B 22/0076
482/57
6,231,485 B1 * 5/2001 Dreissigacker A63B 21/227
482/57
6,514,181 B1 * 2/2003 Taylor A63B 21/153
482/138
6,960,156 B2 * 11/2005 Smith A63B 21/0088
482/51
7,270,630 B1 * 9/2007 Patterson A63B 22/0076
482/121
9,375,604 B2 * 6/2016 Yeh A63B 22/0046
9,662,534 B1 * 5/2017 Liu A63B 21/157
9,827,459 B2 * 11/2017 Hsu A63B 24/00
10,420,980 B2 * 9/2019 Wu A63B 21/4043
D861,805 S * 10/2019 Lisi D21/674
10,486,016 B2 * 11/2019 Robert A63B 21/015
2004/0043874 A1 * 3/2004 Yang A63B 22/0076
482/72
2005/0085348 A1 * 4/2005 Kiefer A63B 22/0076
482/72
2011/0028278 A1 * 2/2011 Roach A63B 22/0076
482/72
2011/0082015 A1 * 4/2011 Dreissigacker A63B 21/0088
482/72
2012/0100965 A1 * 4/2012 Dreissigacker A63B 21/157
482/72

2015/0057130 A1 * 2/2015 Lin A63B 22/0076
482/72
2016/0001123 A1 * 1/2016 Parrish, Jr. A63B 22/0076
482/72
2016/0144223 A1 * 5/2016 Dalebout A63B 22/0076
482/72
2016/0279464 A1 * 9/2016 Liu A63B 21/005
2016/0375297 A1 * 12/2016 Kiser A63B 22/0087
482/73
2017/0014669 A1 * 1/2017 Hall A63B 22/0076
2017/0319889 A1 * 11/2017 Cei A63B 21/0056
2018/0056117 A1 * 3/2018 Hamilton A63B 21/157
2018/0126216 A1 * 5/2018 Hamilton A63B 21/0088
2020/0197739 A1 * 6/2020 Hsieh A63B 21/025
2020/0384305 A1 * 12/2020 Hsieh A63B 21/0084

FOREIGN PATENT DOCUMENTS

KR	3006163810000	10/2011
KR	3006219140000	11/2011
KR	3008621260000	7/2016
TW	285594	9/1996

OTHER PUBLICATIONS

Notice of Allowance for Corresponding Taiwanese Design Application No. 108306078, dated Apr. 16, 2020.
Notice of Allowance for Corresponding Taiwanese Design Application No. 108306074D01, dated Apr. 21, 2020.
Notice of Allowance for Corresponding Taiwanese Design Application No. 108306076, dated Apr. 21, 2020.

* cited by examiner

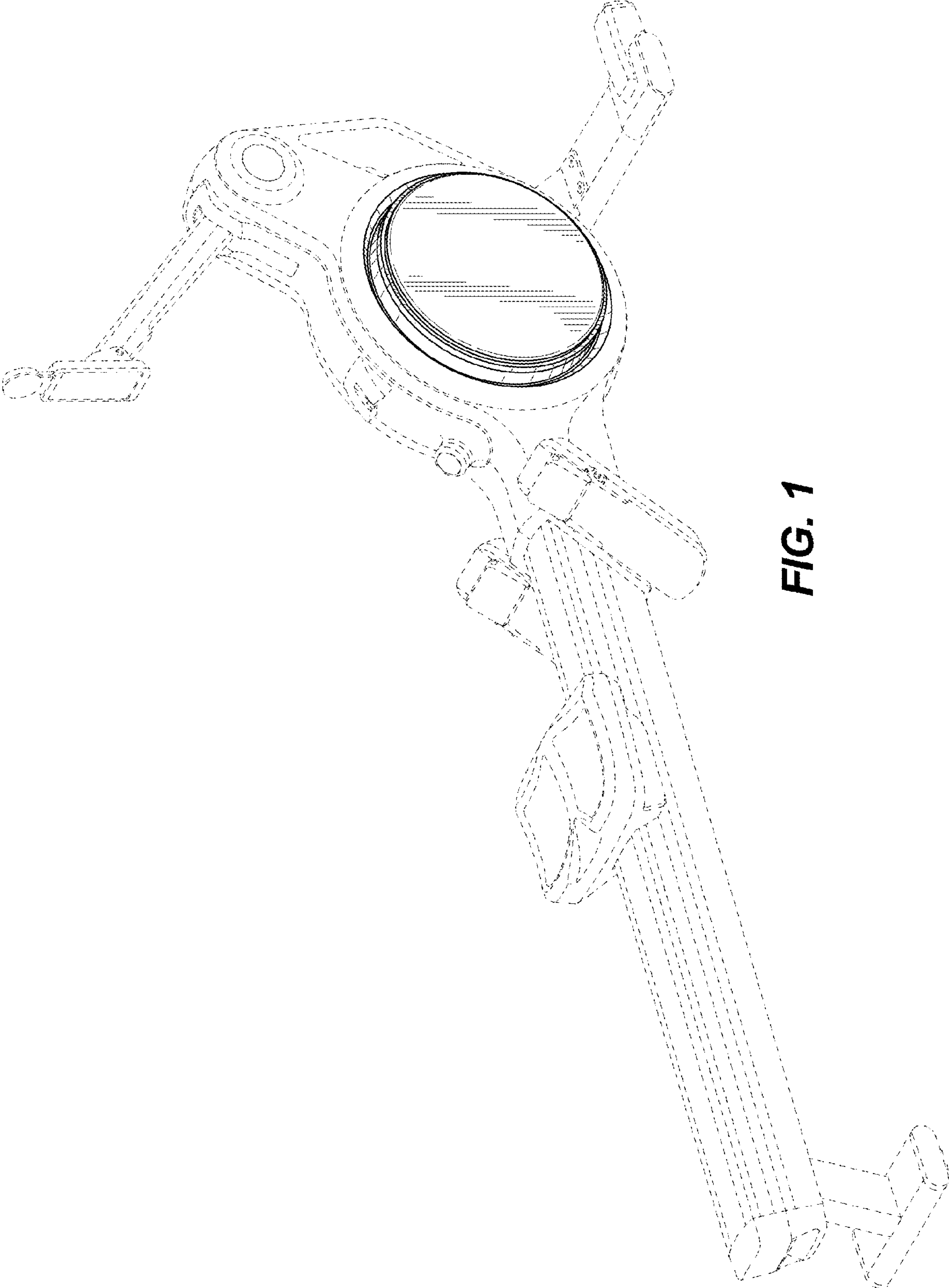


FIG. 1

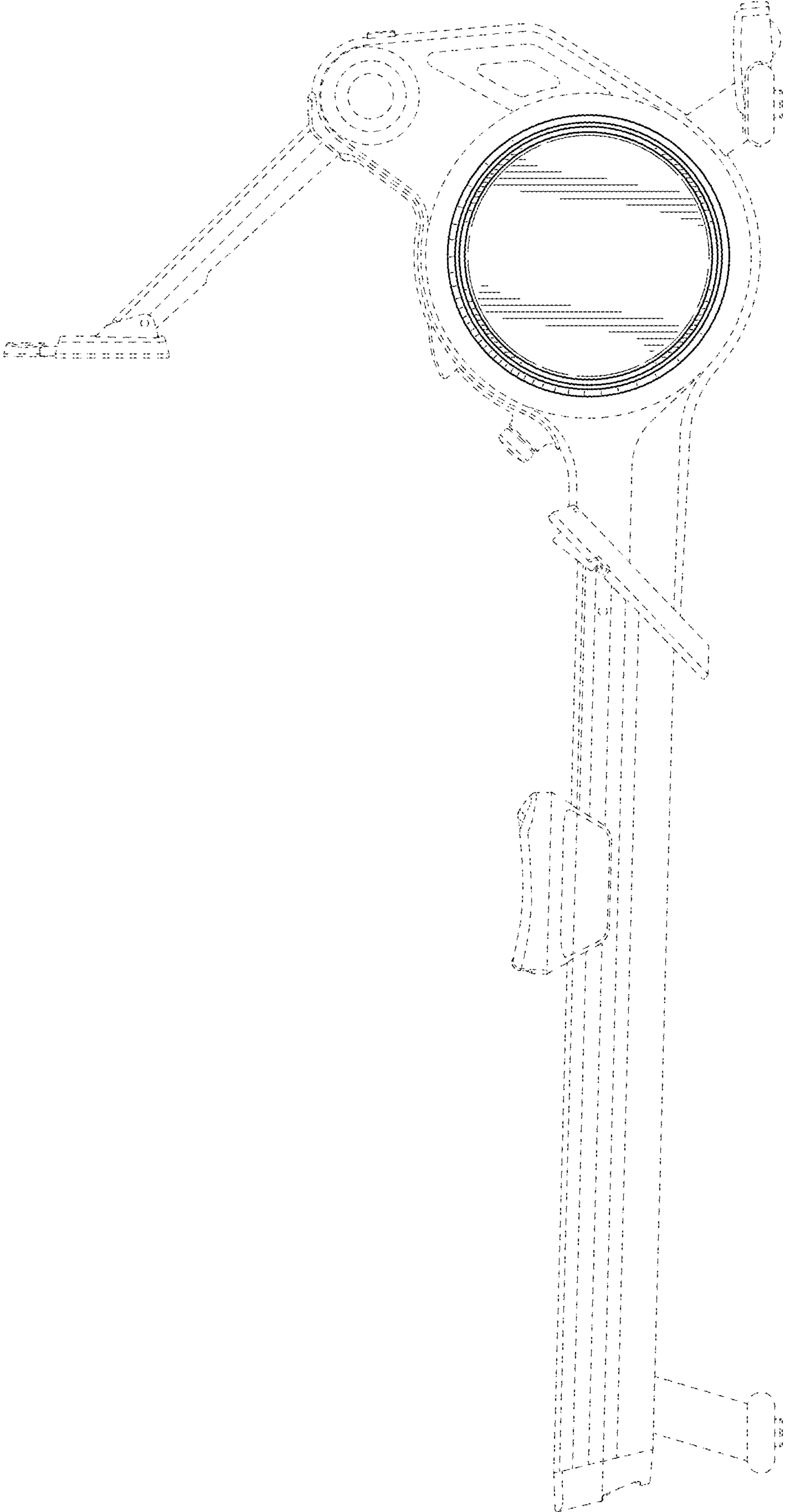


FIG. 2

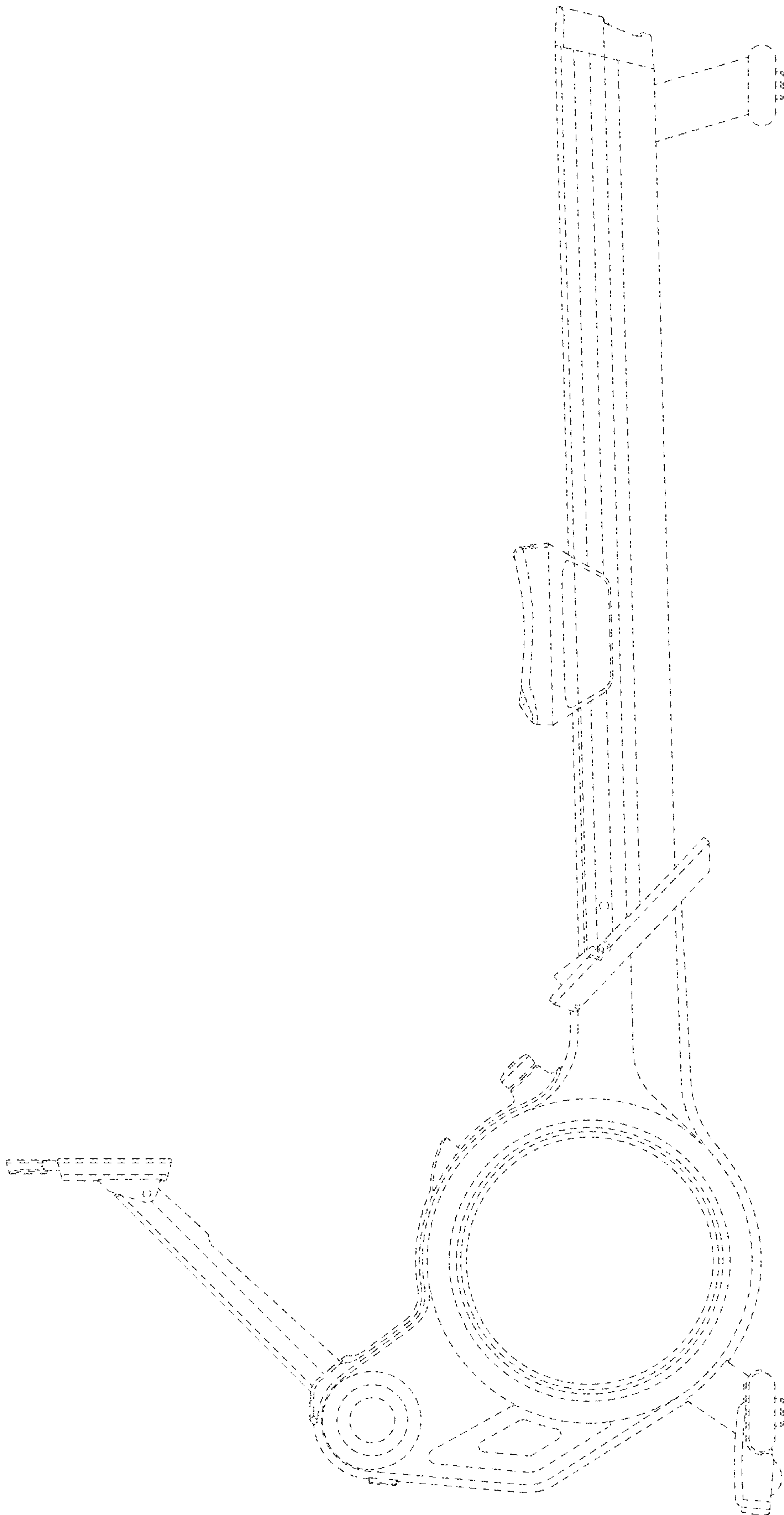


FIG. 3

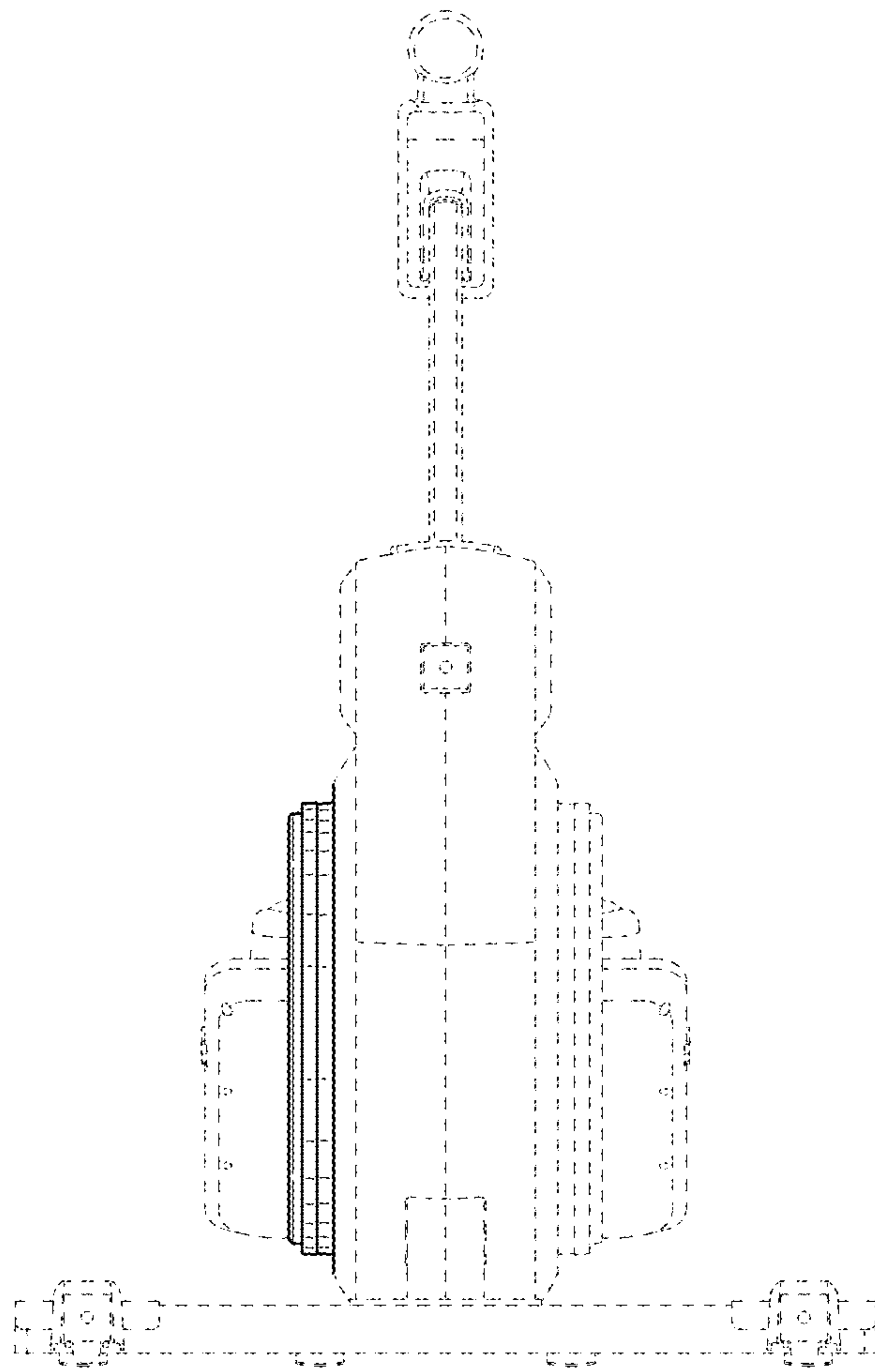


FIG. 4

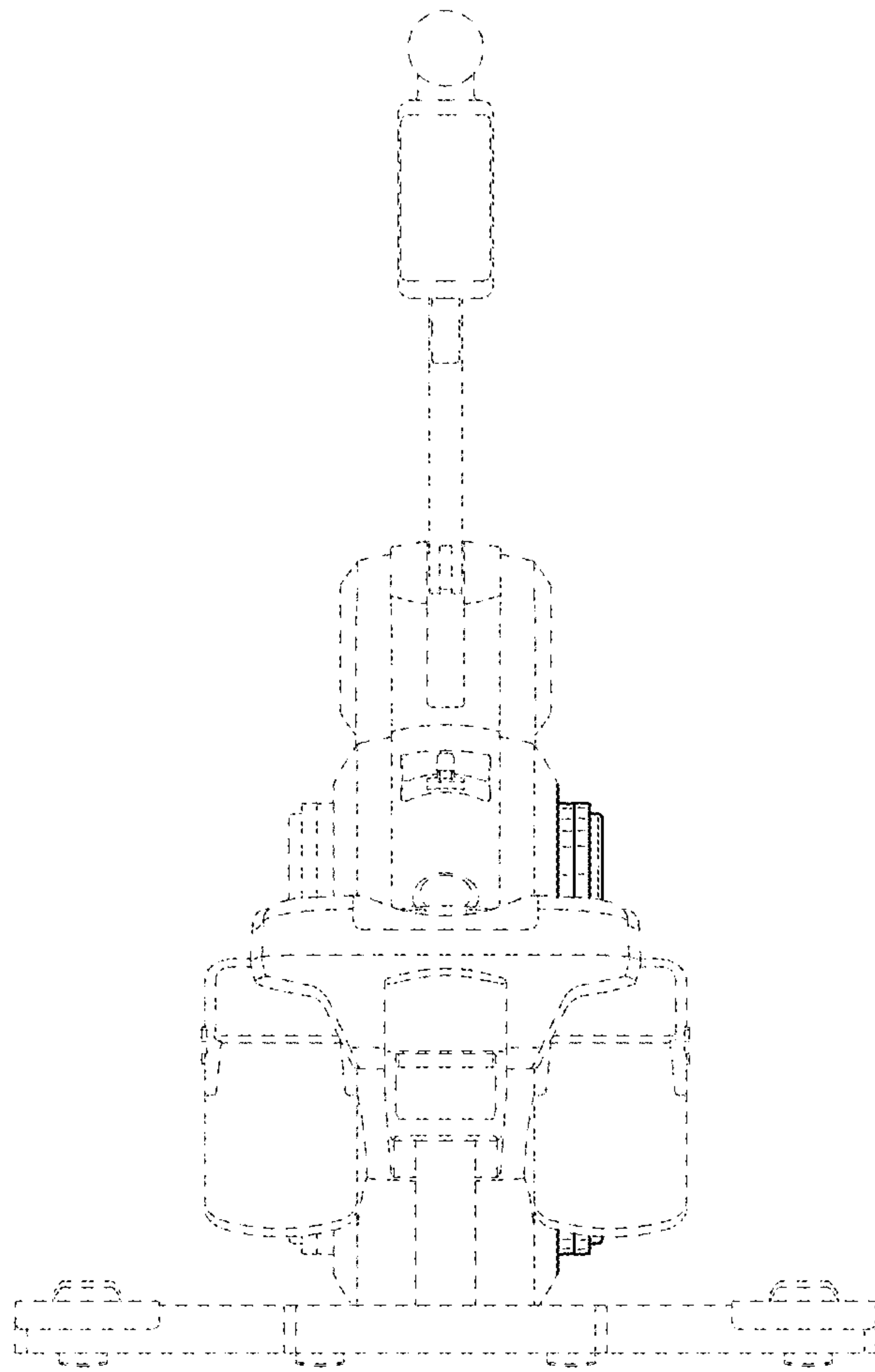


FIG. 5

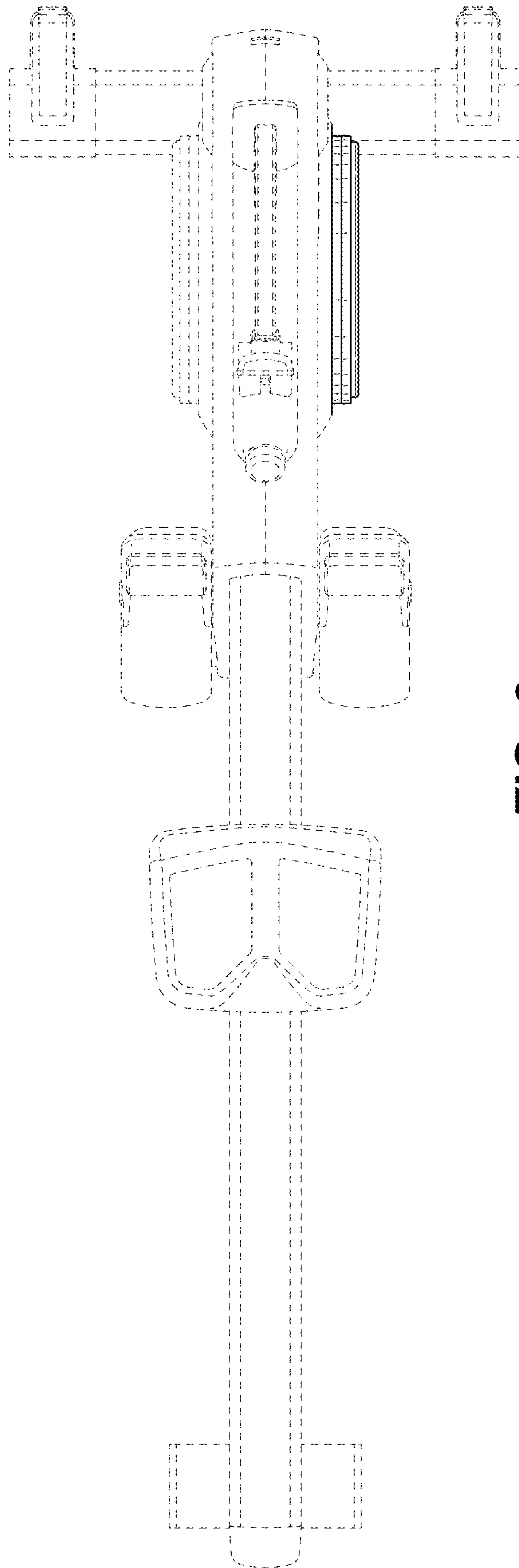


FIG. 6

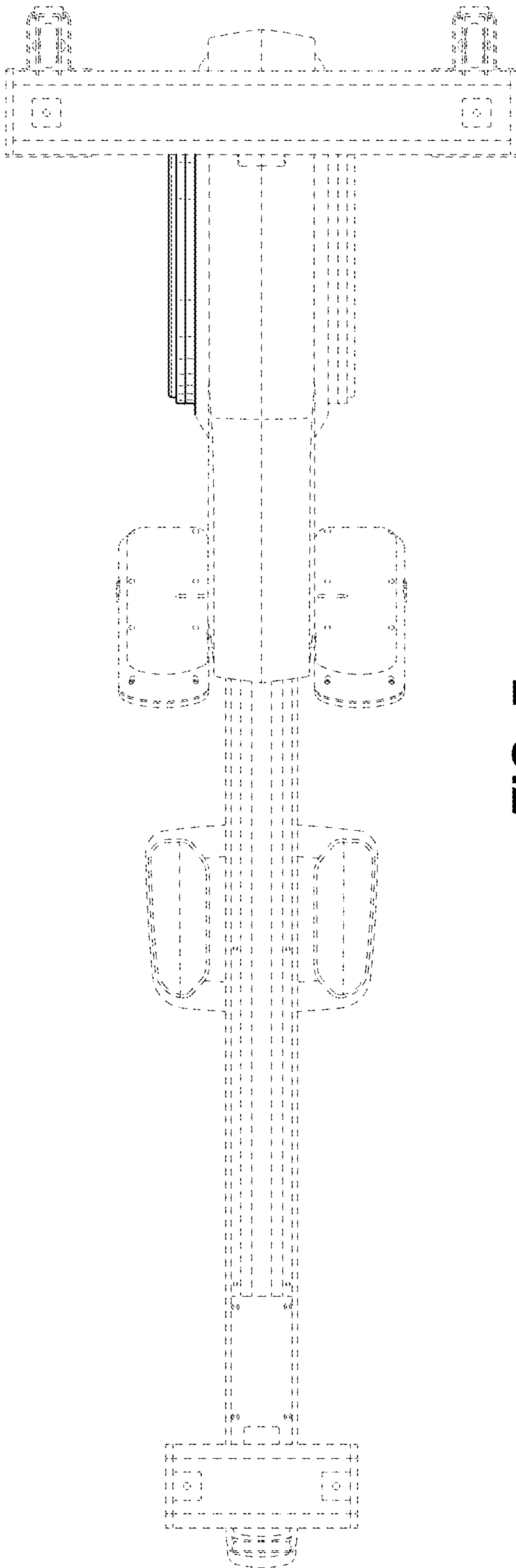


FIG. 7

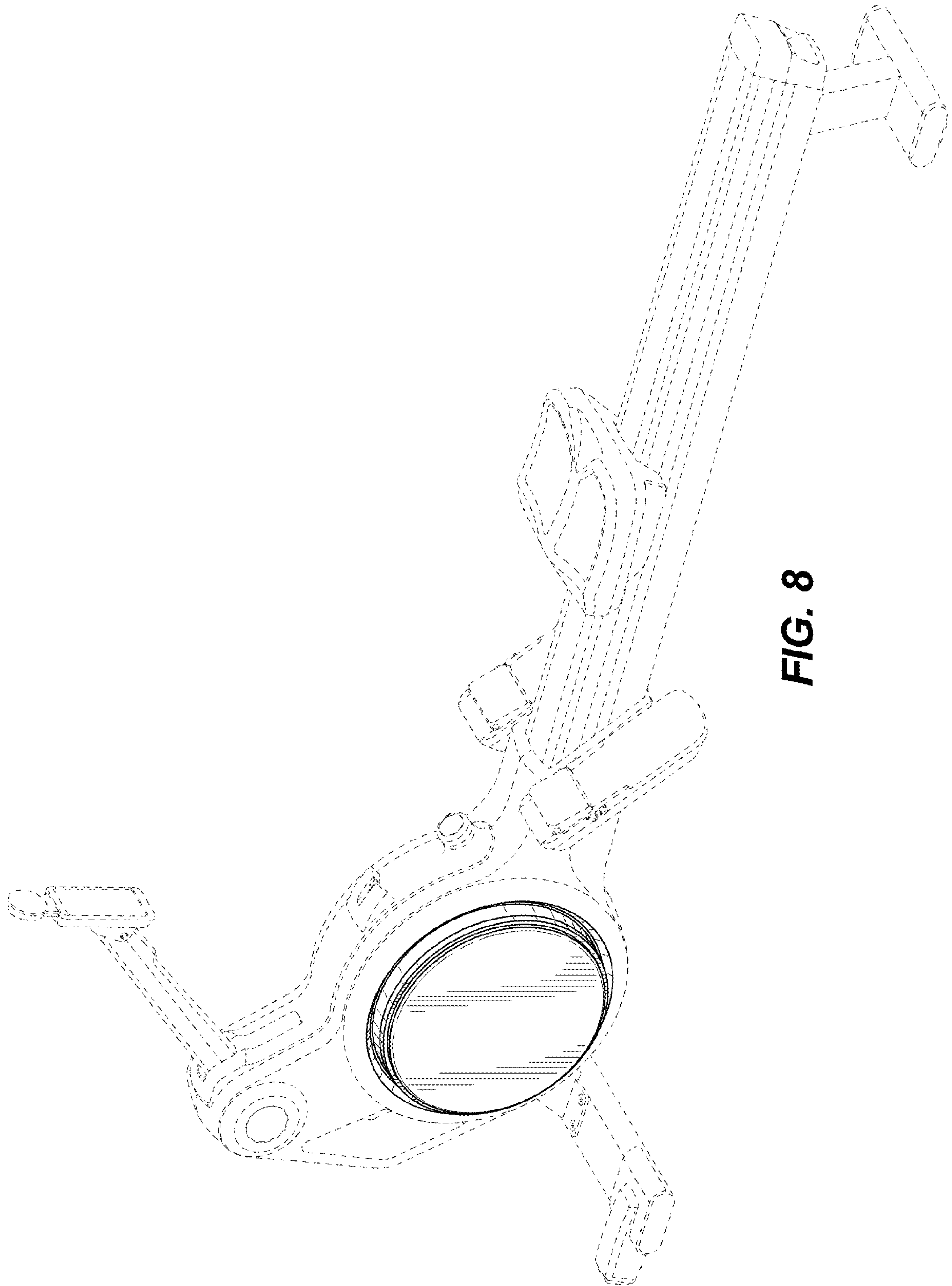


FIG. 8

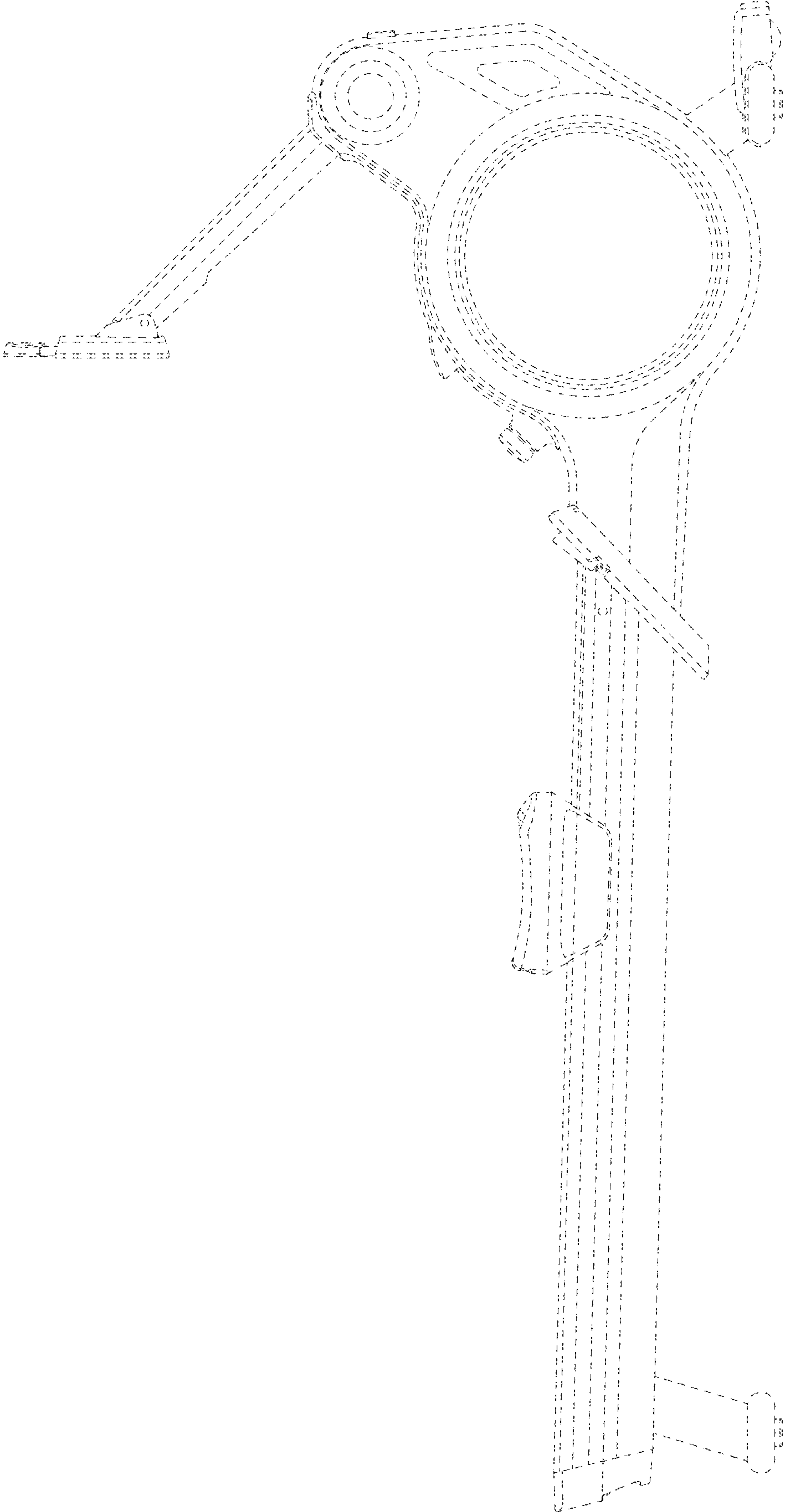


FIG. 9

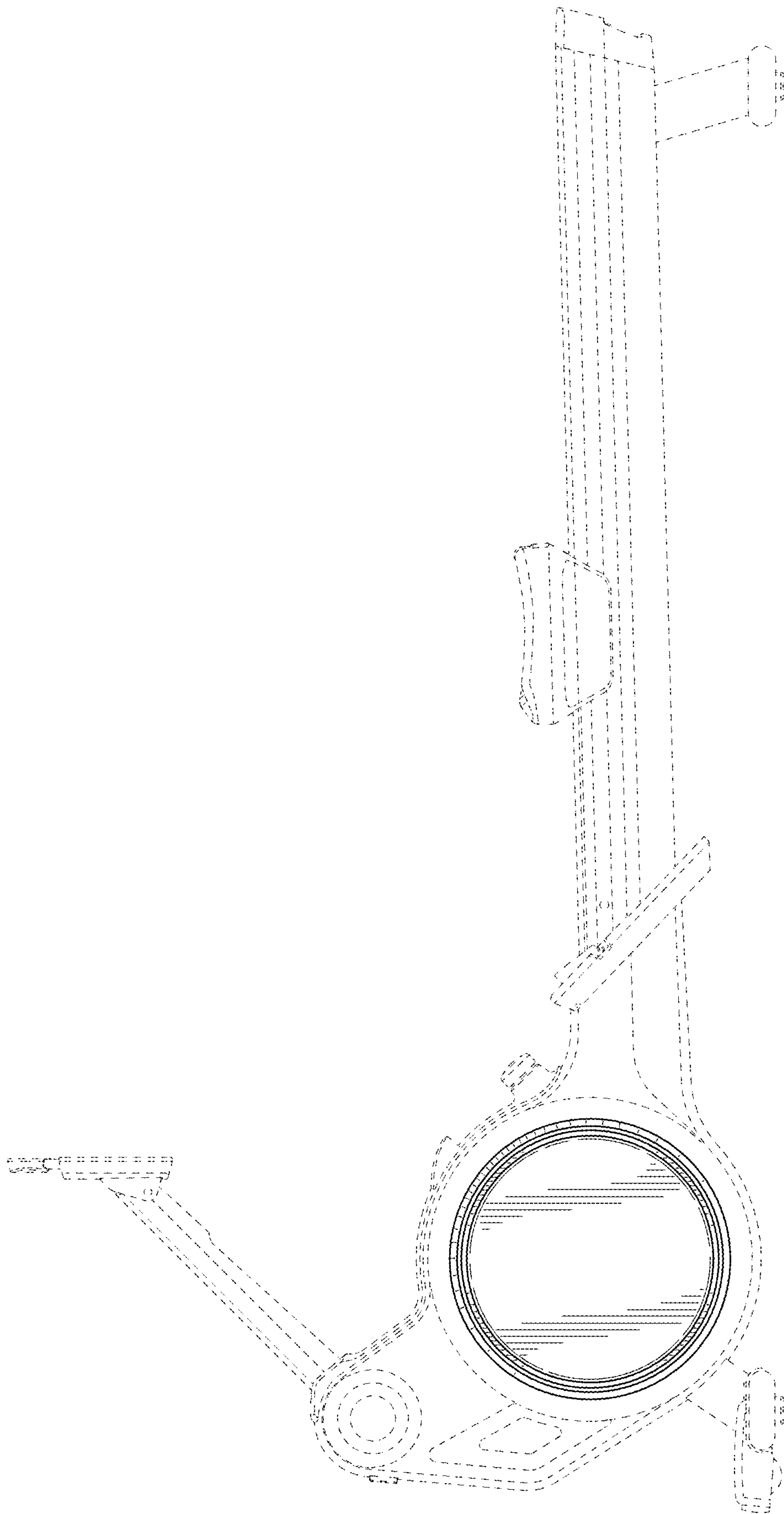


FIG. 10

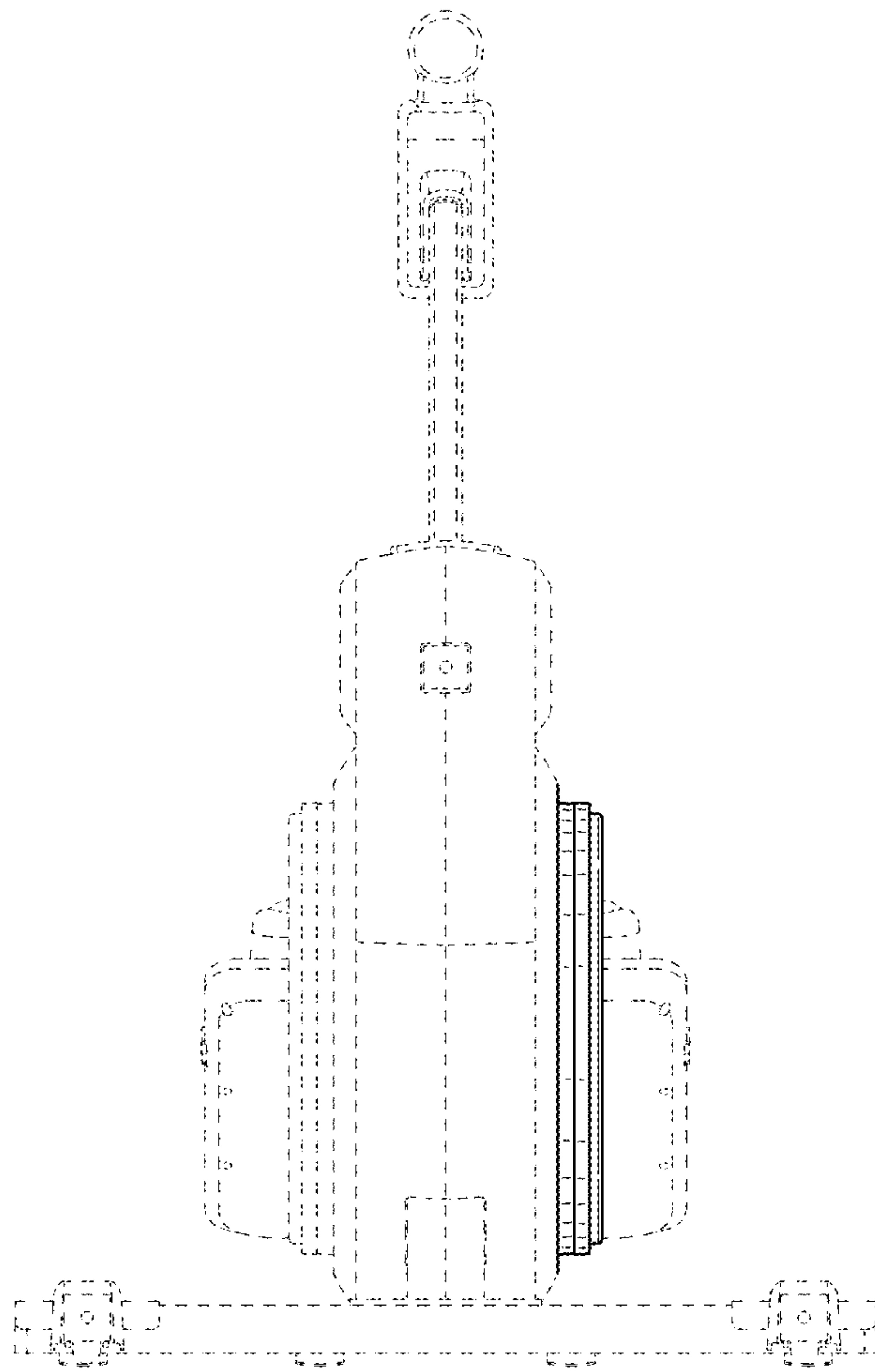


FIG. 11

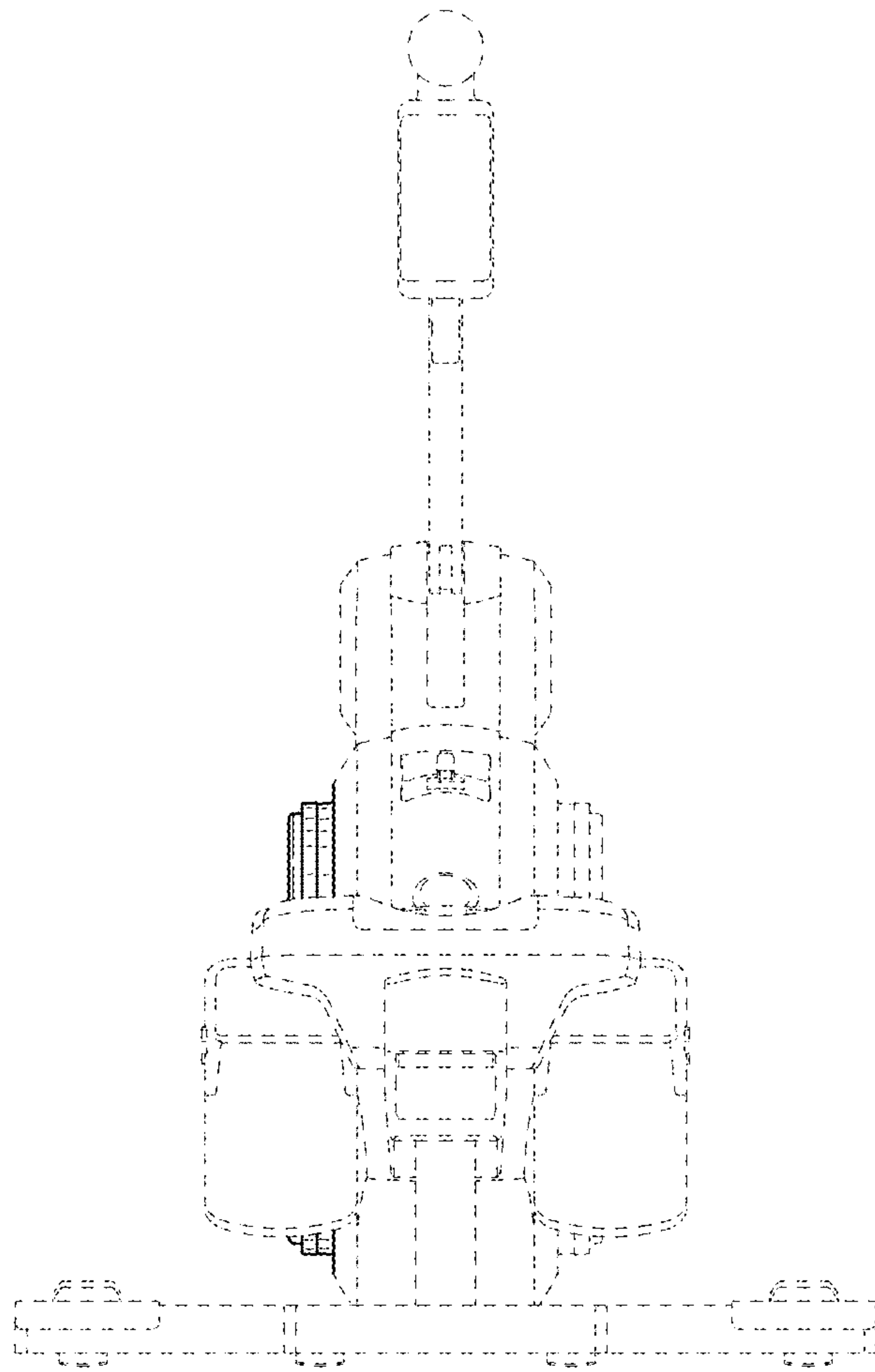


FIG. 12

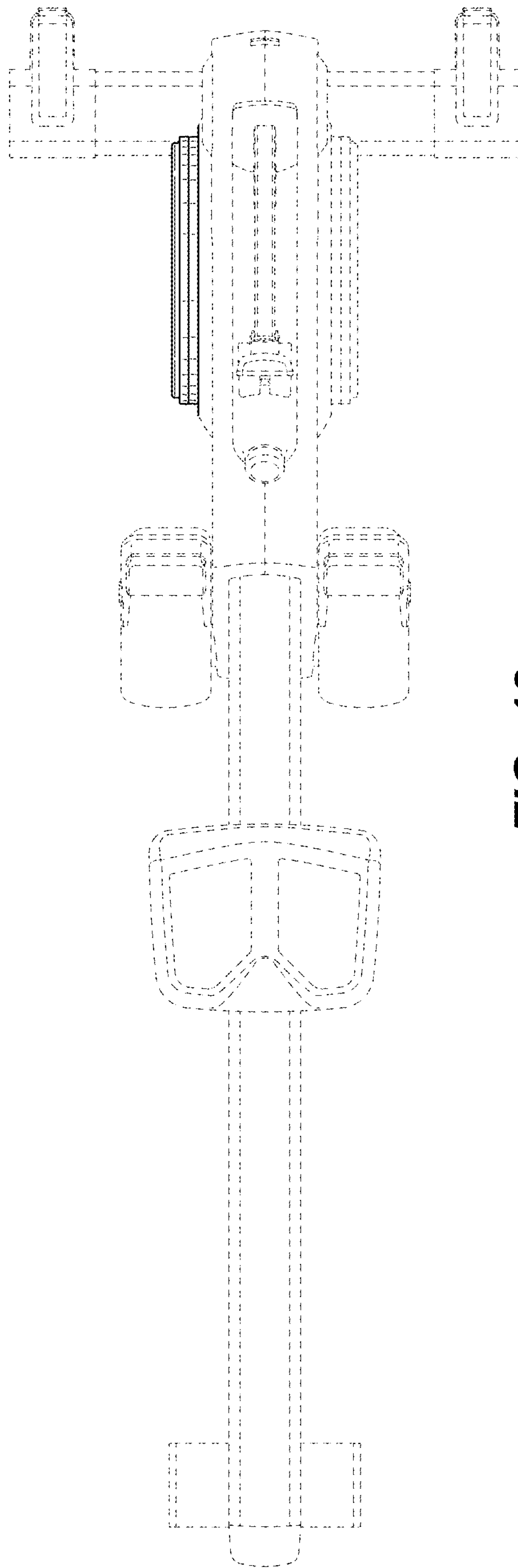


FIG. 13

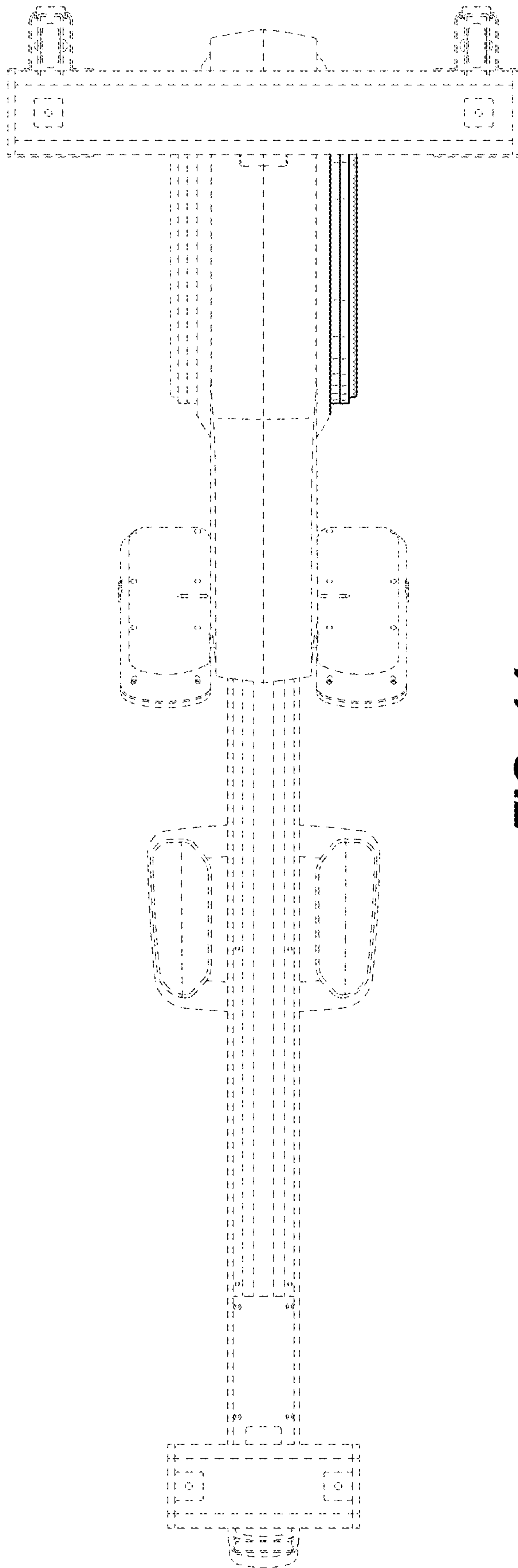


FIG. 14