



US00D936156S

(12) **United States Design Patent**
Park et al.

(10) **Patent No.:** **US D936,156 S**

(45) **Date of Patent:** **** Nov. 16, 2021**

(54) **TOY BLOCK**

(71) Applicant: **GYMWORLD INC.**, Seoul (KR)

(72) Inventors: **Kee Young Park**, Seoul (KR); **Gyu Jin Seo**, Seoul (KR); **Ju Seong Lee**, Osan-si (KR); **Chang Moon Lee**, Gwangmyeong-si (KR); **Ki Ho Lee**, Hwaseong-si (KR); **Yoon Su Cha**, Suwon-si (KR); **Na Young Go**, Seongnam-si (KR); **So Lee Kang**, Seoul (KR); **Jo Un Yi**, Seoul (KR)

(73) Assignee: **GYMWORLD INC.**, Seoul (KR)

(**) Term: **15 Years**

(21) Appl. No.: **29/694,986**

(22) Filed: **Jun. 14, 2019**

(30) **Foreign Application Priority Data**

Jan. 29, 2019 (KR) 30-2019-0004549

(51) **LOC (13) Cl.** **21-01**

(52) **U.S. Cl.**
USPC **D21/495**; D21/562

(58) **Field of Classification Search**
USPC D21/484-505, 533, 548, 561, 562
CPC A63H 17/00; A63H 17/002; A63H 33/04;
A63H 33/044; A63H 33/06; A63H 33/062; A63H 33/065; A63H 33/08;
A63H 33/10; A63H 33/101; A63H 33/102; A63H 33/108

See application file for complete search history.

(56) **References Cited**

U.S. PATENT DOCUMENTS

D117,554 S * 11/1939 Bojesen D21/562
D344,552 S * 2/1994 Berggreen D21/495

D346,629 S * 5/1994 Ruskai D21/495
D541,882 S * 5/2007 Petersen D21/495
D597,150 S * 7/2009 Oikawa D21/495
D845,399 S * 4/2019 Kahl D21/495
D854,629 S * 7/2019 Zhang D21/495
D898,836 S * 10/2020 Park D21/495
2019/0321740 A1 * 10/2019 Pedersen A63H 17/00

* cited by examiner

Primary Examiner — Cynthia M. Chin

(74) *Attorney, Agent, or Firm* — KORUS Patent, LLC;
Seong Il Jeong

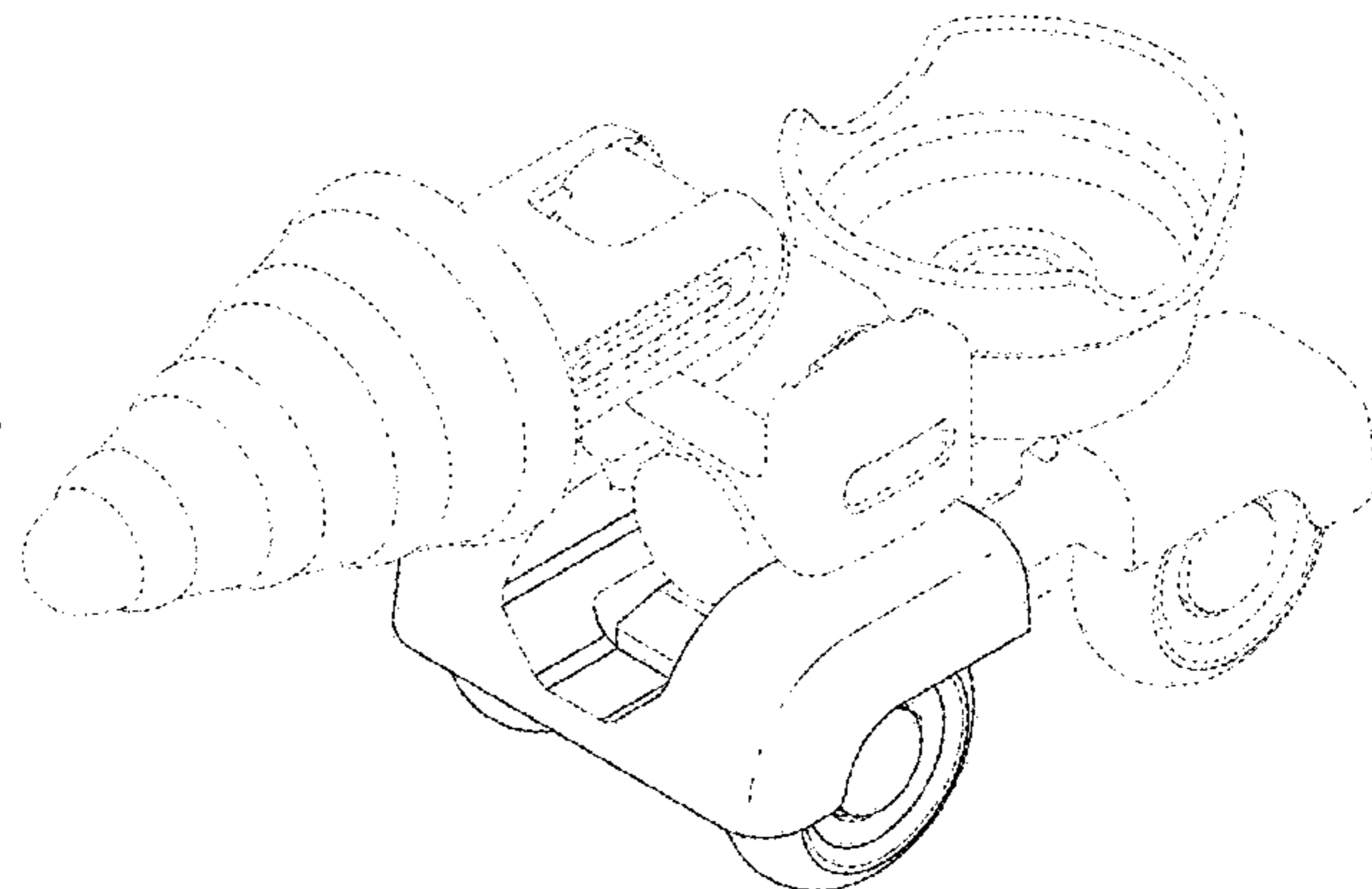
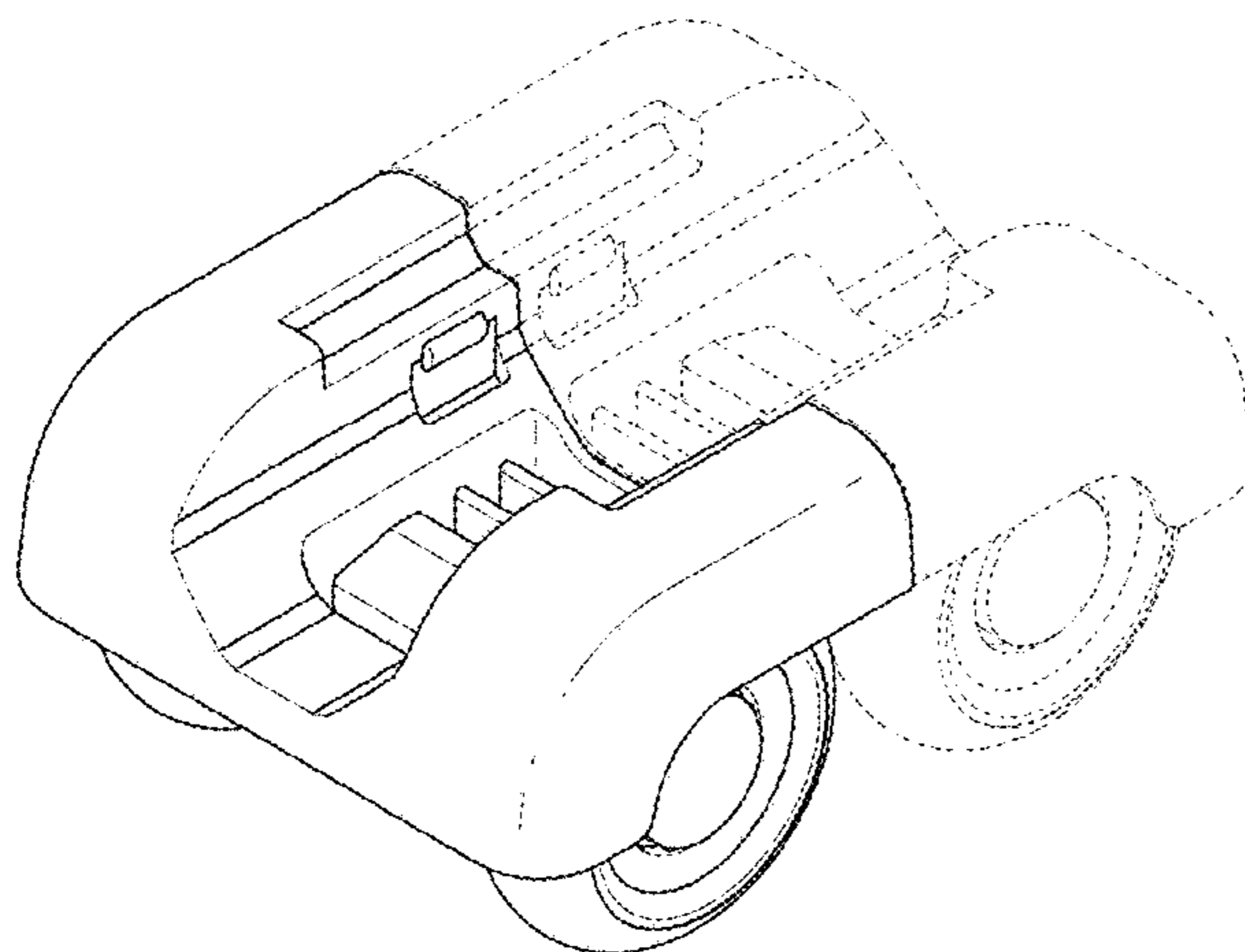
(57) **CLAIM**

The ornamental design for a toy block, as shown and described.

DESCRIPTION

FIG. 1 is a front perspective view of a toy block according to the present design;
FIG. 2 is a front elevation view thereof;
FIG. 3 is a rear elevation view thereof;
FIG. 4 is a left side view thereof;
FIG. 5 is a right side view thereof;
FIG. 6 is a top plan view thereof;
FIG. 7 is a bottom plan view thereof;
FIG. 8 is a first perspective view illustrating use thereof; and,
FIG. 9 is a second perspective view illustrating use thereof.
The broken lines in FIGS. 2-7 are for the purpose of illustrating portions of the article that form no part of the claimed design. The broken lines showing of parts in FIGS. 8 and 9 are included for the purpose of illustrating use and environment and form no part of the claimed design.

1 Claim, 9 Drawing Sheets



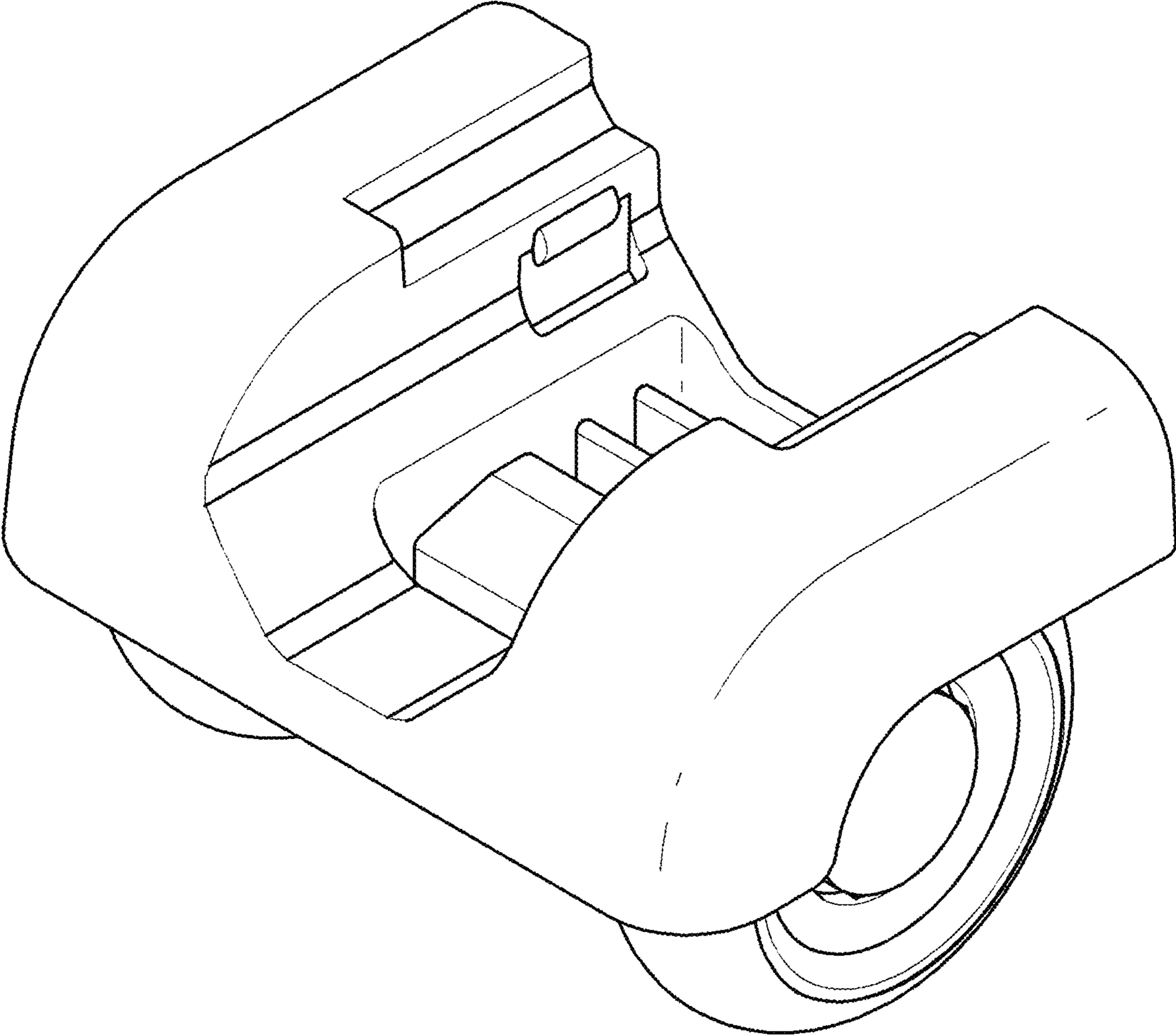


FIG. 1

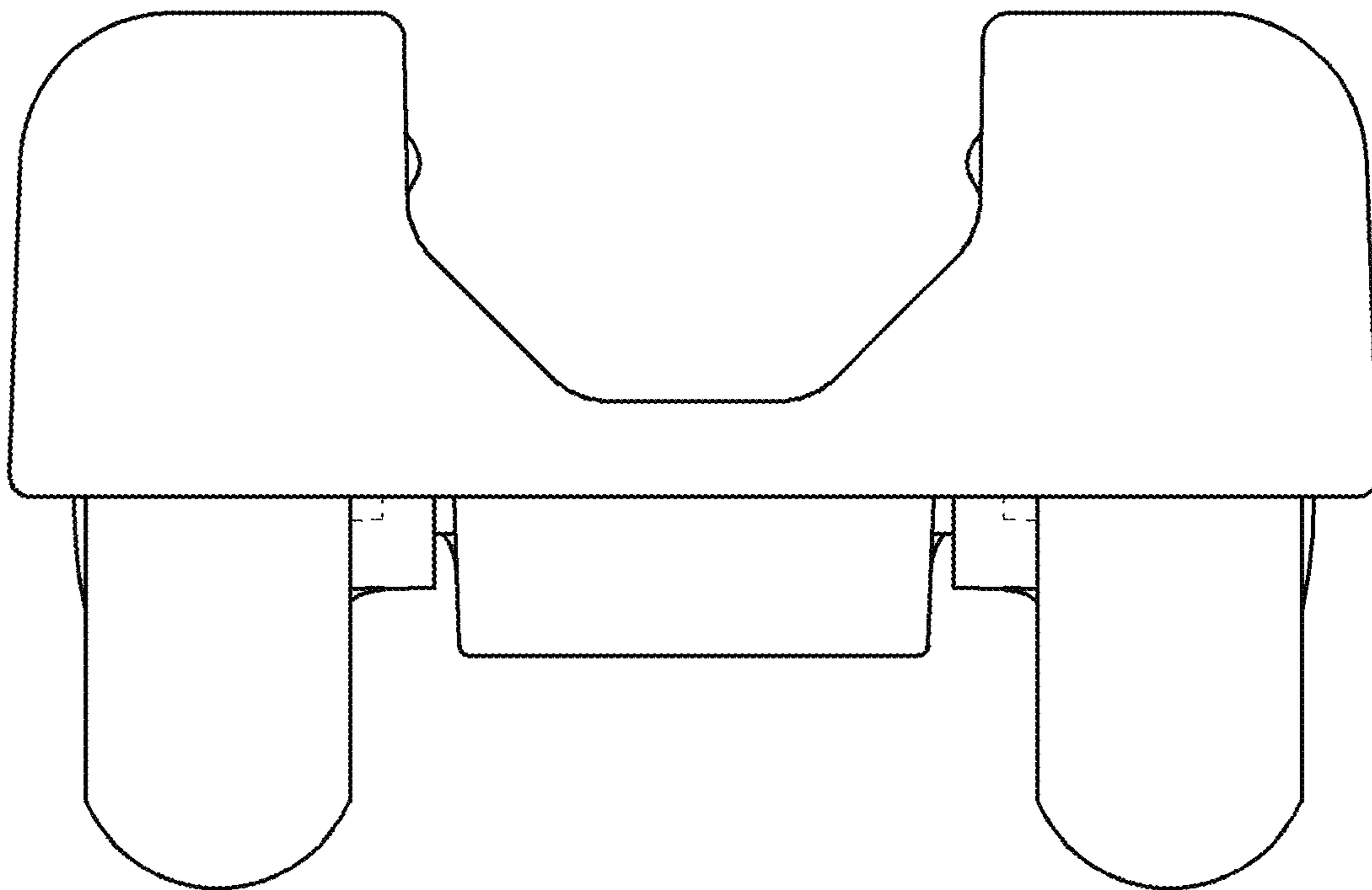


FIG. 2

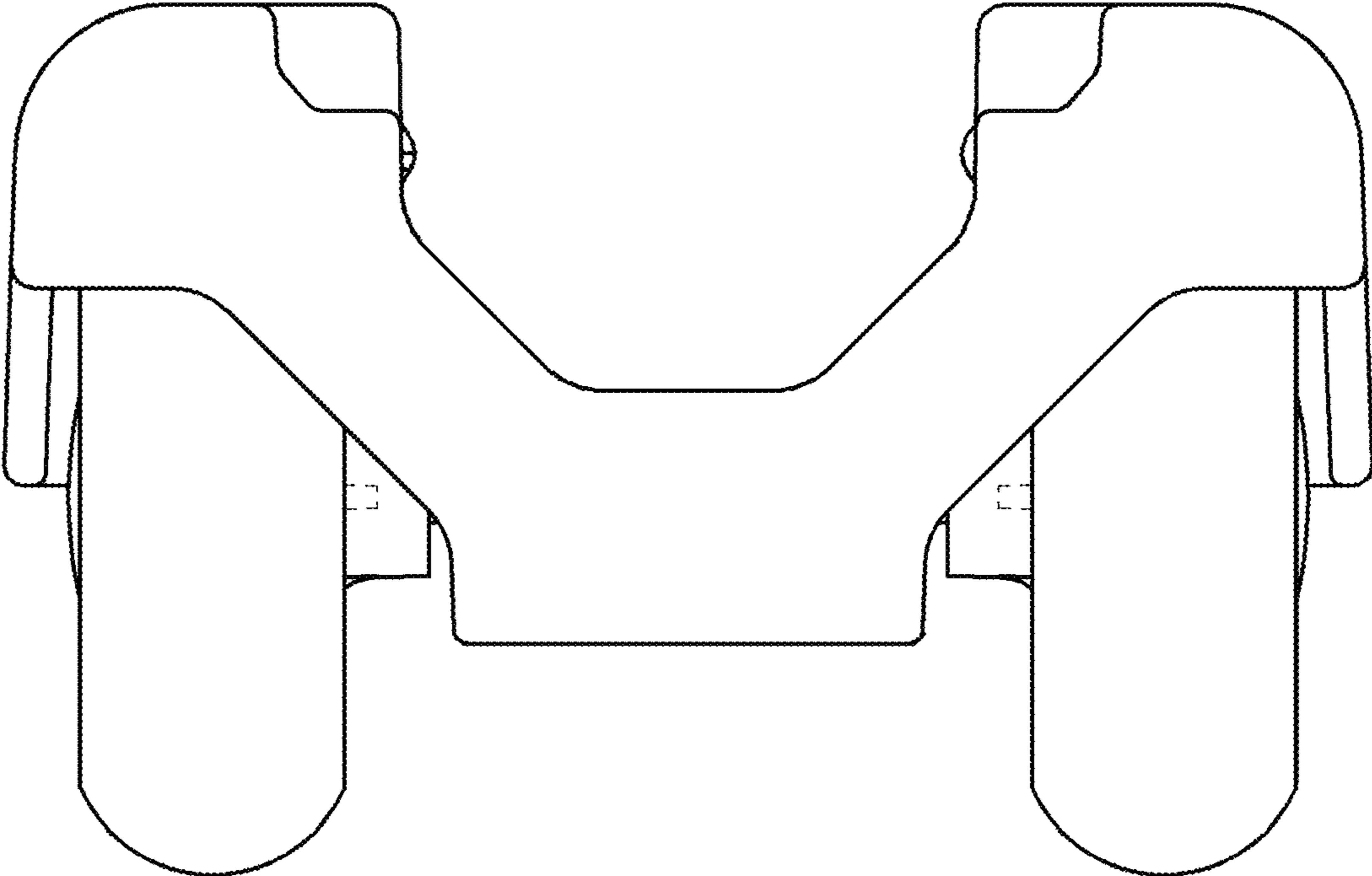


FIG. 3

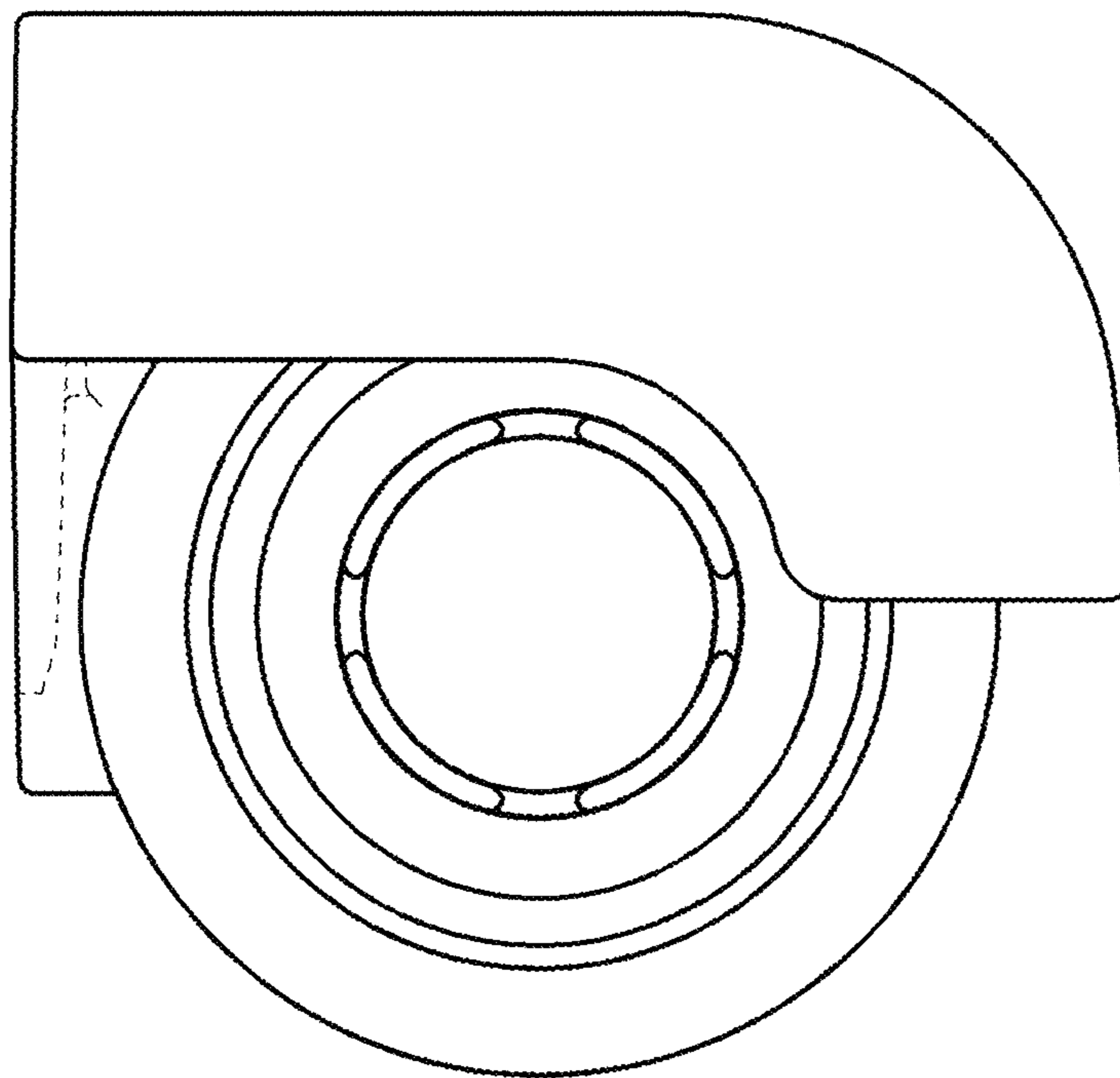


FIG. 4

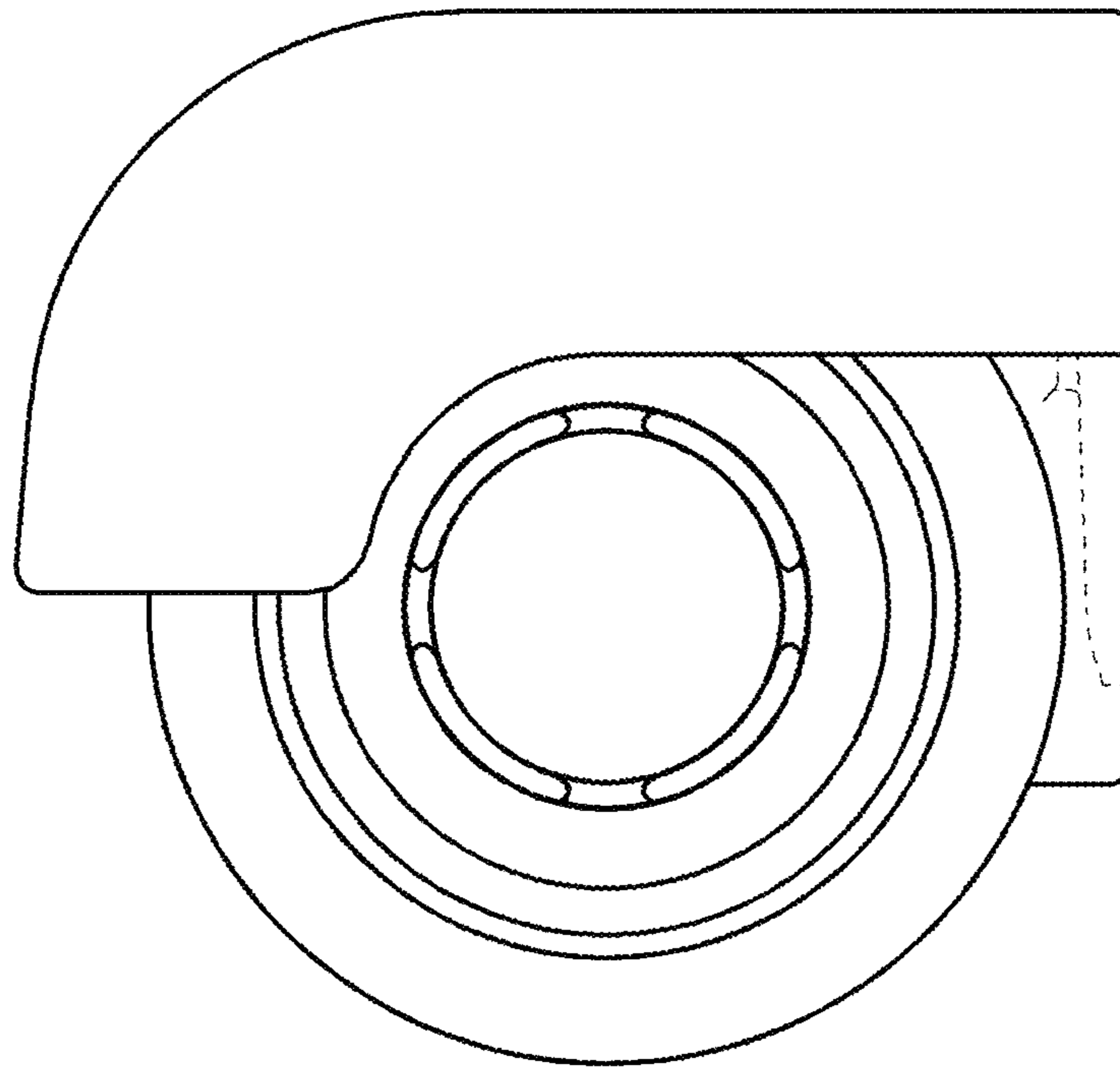


FIG. 5

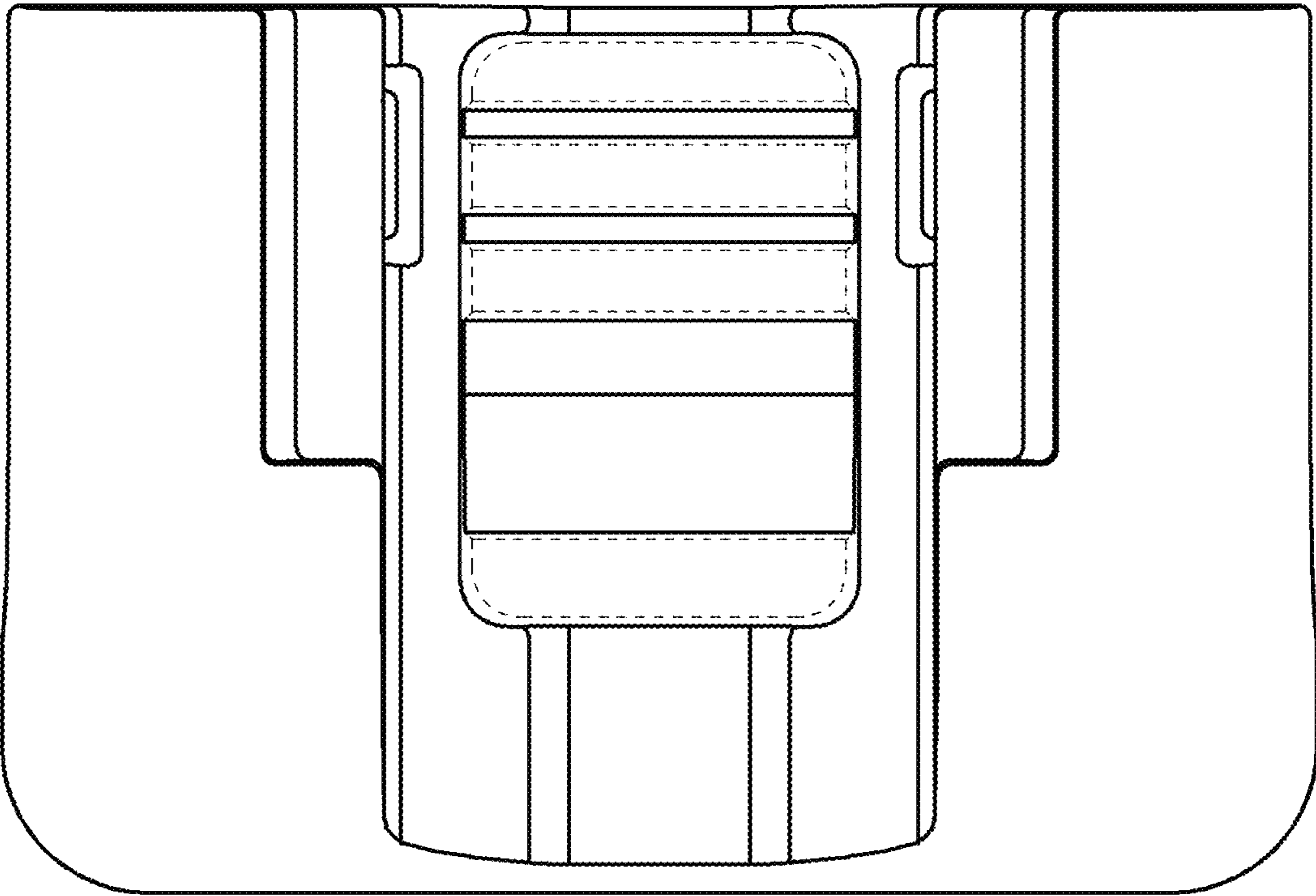


FIG. 6

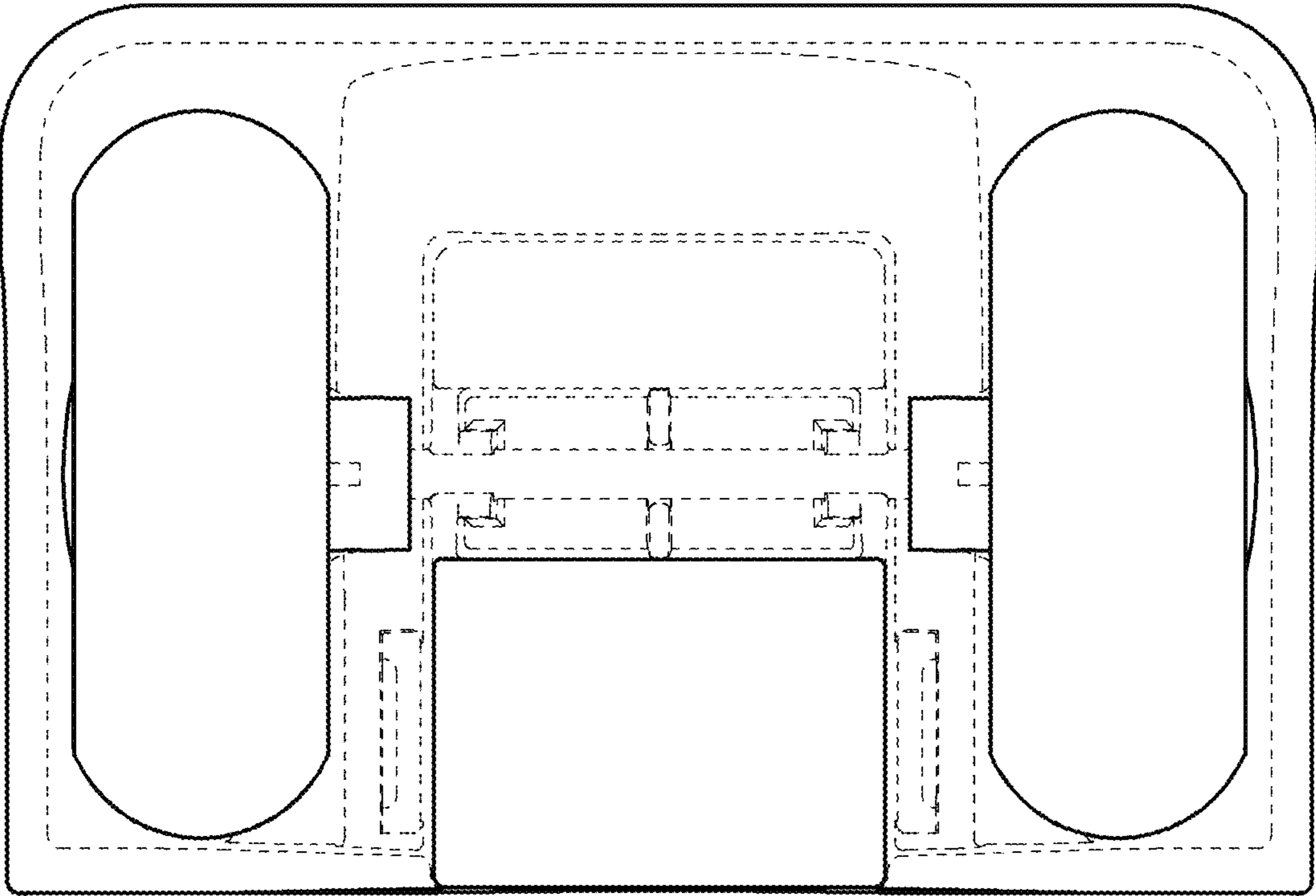


FIG. 7

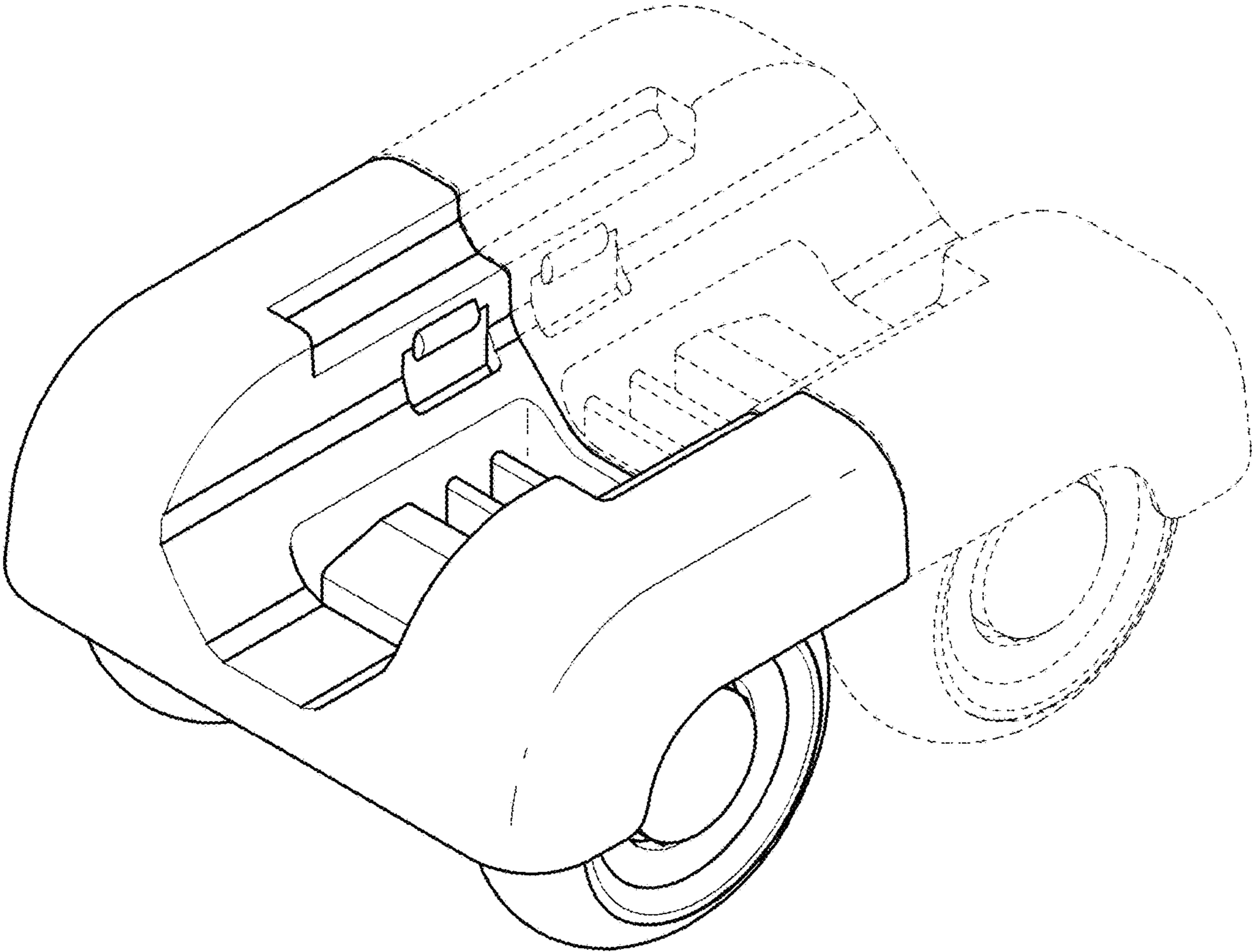


FIG. 8

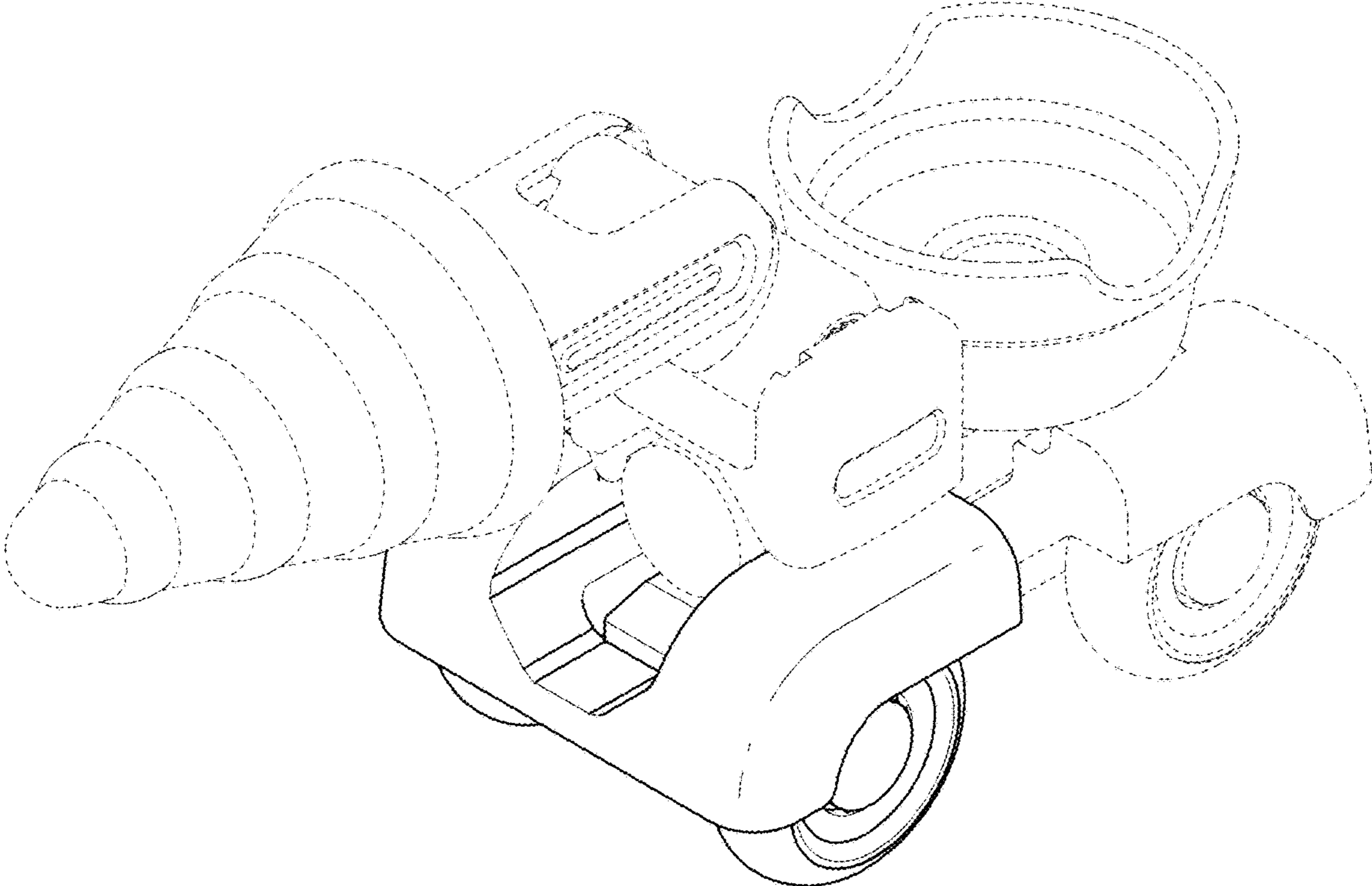


FIG. 9