



US00D936152S

(12) **United States Design Patent** (10) **Patent No.:** **US D936,152 S**
Yao et al. (45) **Date of Patent:** **** Nov. 16, 2021**

(54) **MOTORIZED SCOOTER**

(71) Applicant: **ZHEJIANG TAOTAO VEHICLES CO., LTD**, Lishui (CN)
(72) Inventors: **Guangqing Yao**, Yongkang (CN); **Yuqiang Fu**, Henan Province (CN); **Hongxia Zhu**, Lishui (CN)

(**) Term: **15 Years**

(21) Appl. No.: **29/746,983**

(22) Filed: **Aug. 19, 2020**

(30) **Foreign Application Priority Data**

Jul. 4, 2020 (CN) 202030356192.6

(51) **LOC (13) Cl.** **21-01**

(52) **U.S. Cl.**
USPC **D21/423**

(58) **Field of Classification Search**
USPC D12/1, 8, 107, 110, 112–114; D21/421, D21/423, 760, 765, 771
CPC B62K 3/002; B62K 9/00; B62K 2202/00; B60Y 2200/126
See application file for complete search history.

(56) **References Cited**

U.S. PATENT DOCUMENTS

D686,674 S *	7/2013	Hadley	D21/423
D750,180 S *	2/2016	Edlauer	D21/423
D839,358 S *	1/2019	Cao	D21/423
D839,359 S *	1/2019	Hadley	D21/423
D849,151 S *	5/2019	Avena	D21/423
D858,646 S *	9/2019	Yang	D21/423
D858,647 S *	9/2019	Liu	D21/423
D900,237 S *	10/2020	Lee	D21/423
D910,766 S *	2/2021	Hadley	D21/423
D911,454 S *	2/2021	Yang	D21/423
D911,456 S *	2/2021	Yu	D21/423

(Continued)

OTHER PUBLICATIONS

“G4 Electric Scooter” GOTRAX., posted date Jul. 20, 2021 [online], [retrieved on Aug. 24, 2021]. Retrieved from the Internet <URL:https://gotrax.com/collections/electric-scooters/products/g4-electric-scooter-for-adults> (Year: 2021).*

(Continued)

Primary Examiner — Darlington Ly
Assistant Examiner — Nasim Abdulaziz Ali

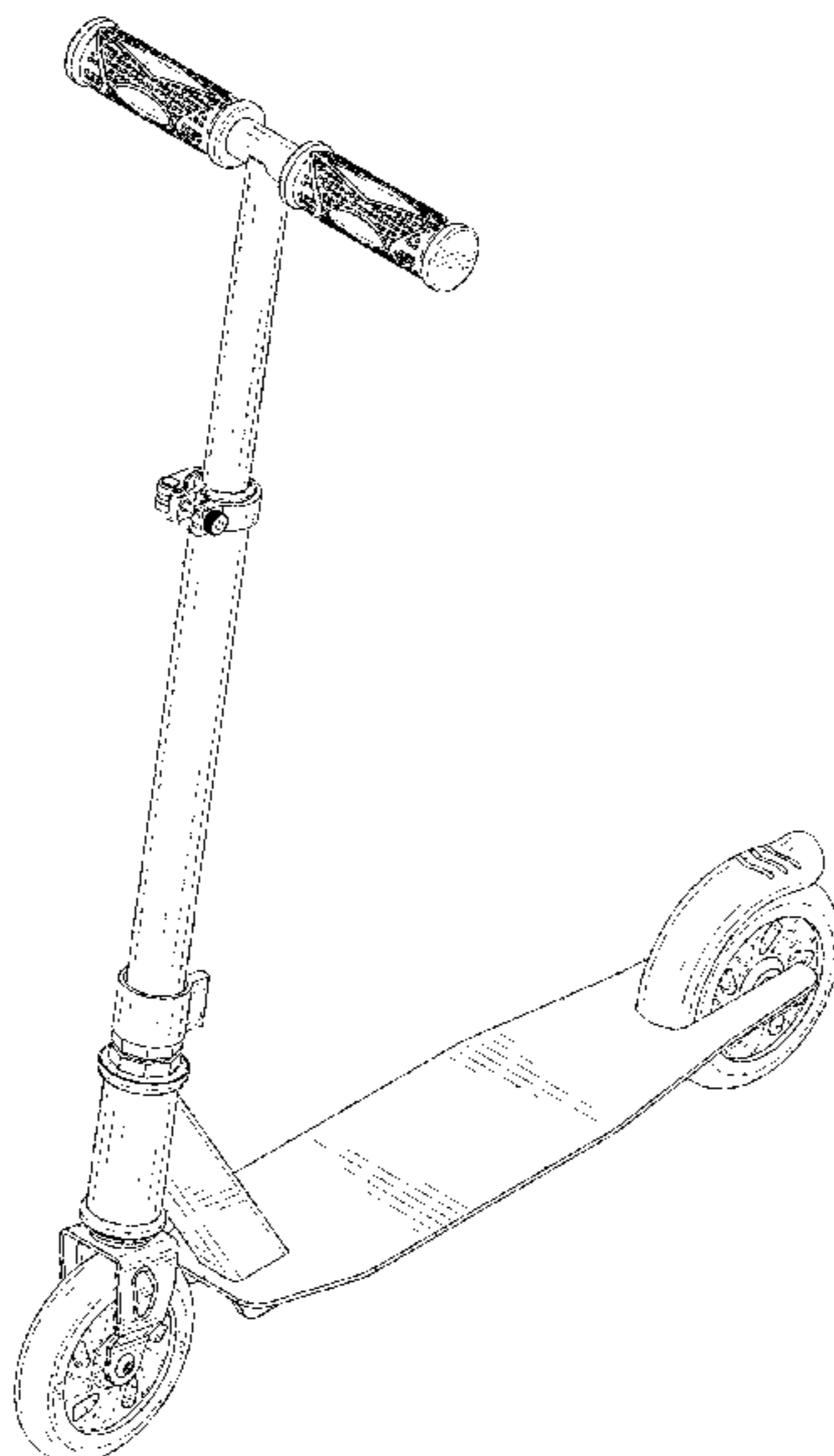
(57) **CLAIM**

The ornamental design for a motorized scooter, as shown and described.

DESCRIPTION

FIG. 1 is a front and top perspective view of a motorized scooter, showing our new design;
FIG. 2 is a rear and bottom perspective view thereof;
FIG. 3 is a front elevational view thereof;
FIG. 4 is a rear elevational view thereof;
FIG. 5 is a left side elevational view thereof;
FIG. 6 is a right side elevational view thereof;
FIG. 7 is a top plan view thereof;
FIG. 8 is a bottom plan view thereof;
FIG. 9 is an enlarged view of a portion labeled, ‘FIG. 9’ in FIG. 1;
FIG. 10 is an enlarged view of a portion labeled, ‘FIG. 10’ in FIG. 1;
FIG. 11 is an enlarged view of a portion labeled, ‘FIG. 11’ in FIGS. 1; and,
FIG. 12 is an enlarged view of a portion labeled, ‘FIG. 12’ in FIG. 1.
The dashed broken lines in the figures illustrate portions of the article that form no part of the claimed design. The dash dot dash lines in FIGS. 1, 9, 10, 11 and 12 are for the purpose of depicting the cut line of the enlarged view and form no part of the claim.

1 Claim, 12 Drawing Sheets



(56)

References Cited

U.S. PATENT DOCUMENTS

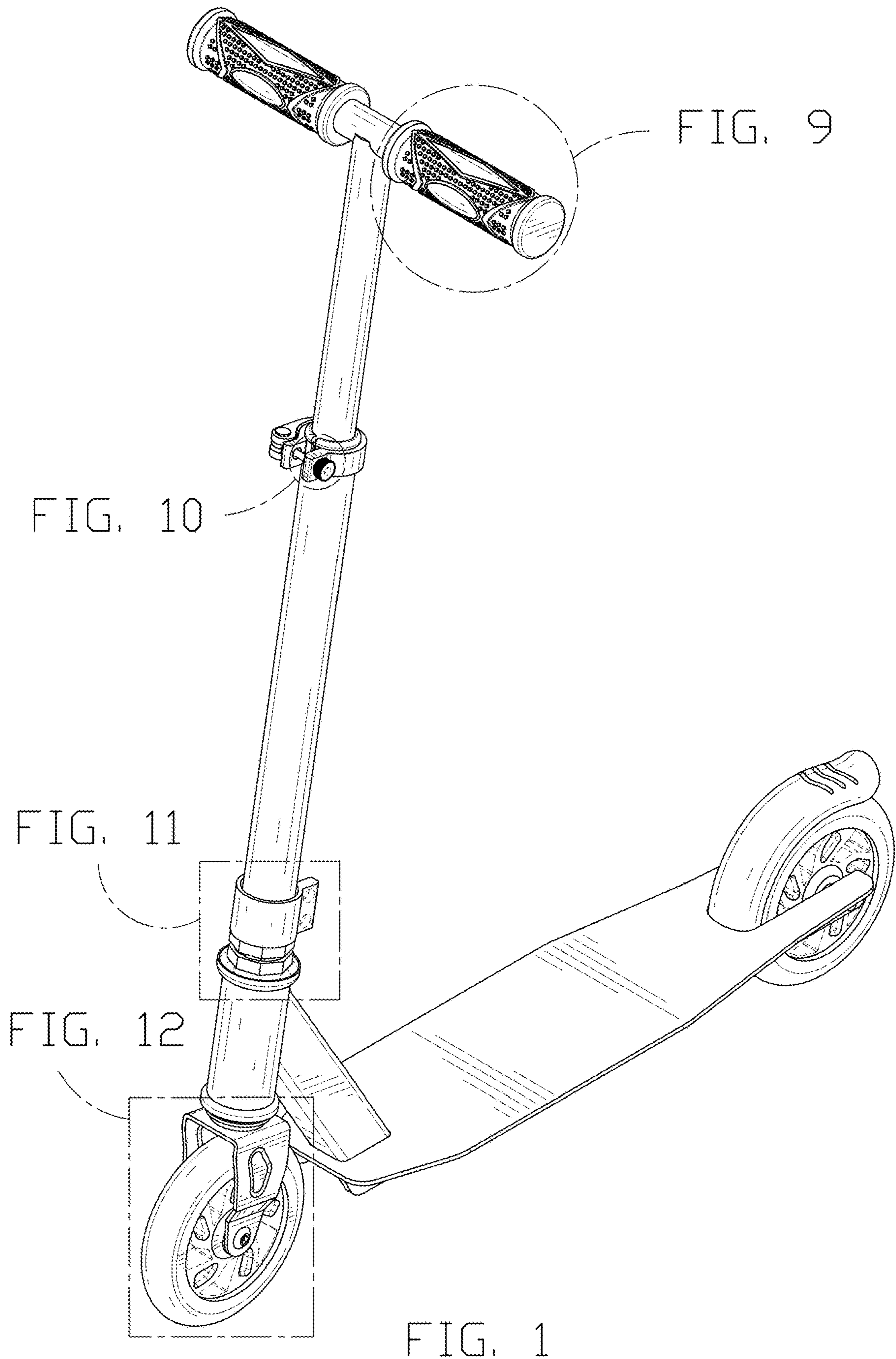
D911,457 S	*	2/2021	Yu	D21/423
D912,159 S	*	3/2021	Lee	D21/423
D912,736 S	*	3/2021	Lee	D21/423
D914,103 S	*	3/2021	Cao	D21/423
D915,524 S	*	4/2021	Cao	D21/423
D917,625 S	*	4/2021	Lee	D21/423
D917,626 S	*	4/2021	Ye	D21/423
D919,712 S	*	5/2021	Gao	D21/423
D922,306 S	*	6/2021	Dongfang	D12/423
D923,103 S	*	6/2021	Zheng	D21/423
D923,104 S	*	6/2021	Zheng	D21/423
D923,715 S	*	6/2021	Wang	D21/423
D926,890 S	*	8/2021	Lu	D21/423

OTHER PUBLICATIONS

“T25 Electric Scooter” Razor., posted date Apr. 11, 2021 [online], [retrieved on Aug. 24, 2021]. Retrieved from the Internet <URL: <https://razor.com/products/electric-scooters/t25-electric-scooter/>> (Year: 2021).*

“Jetson Eris Folding Adult Electric Scooter” Jetson., posted date Jun. 5, 2020 [online], [retrieved on Aug. 24, 2021]. Retrieved from the Internet <URL: <https://www.amazon.com/Jetson-Electric-Scooter-Adult-Scooter-Phone-Display-Motorized/dp/B089RDWBRC>> (Year: 2020).*

* cited by examiner



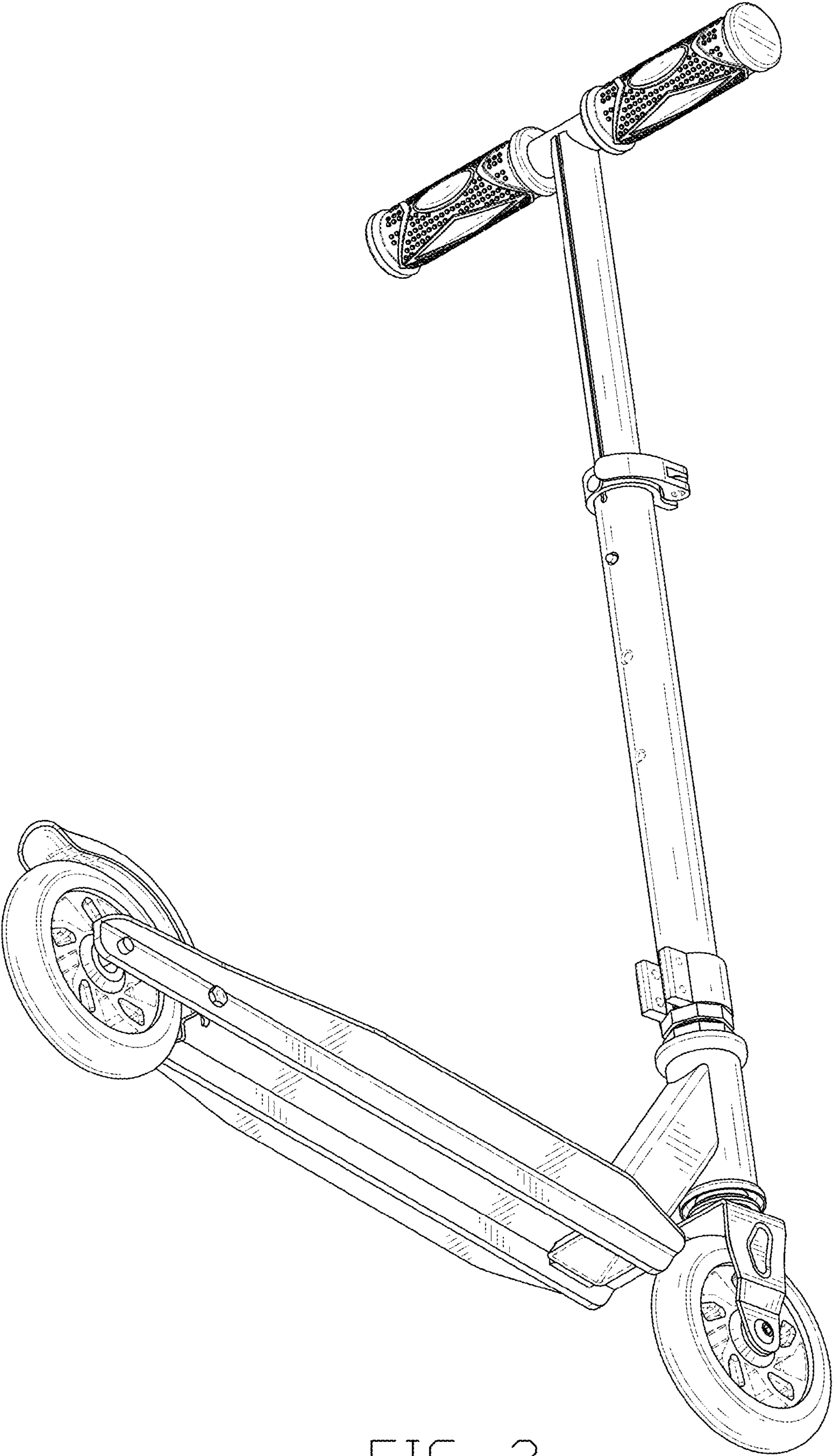


FIG. 2

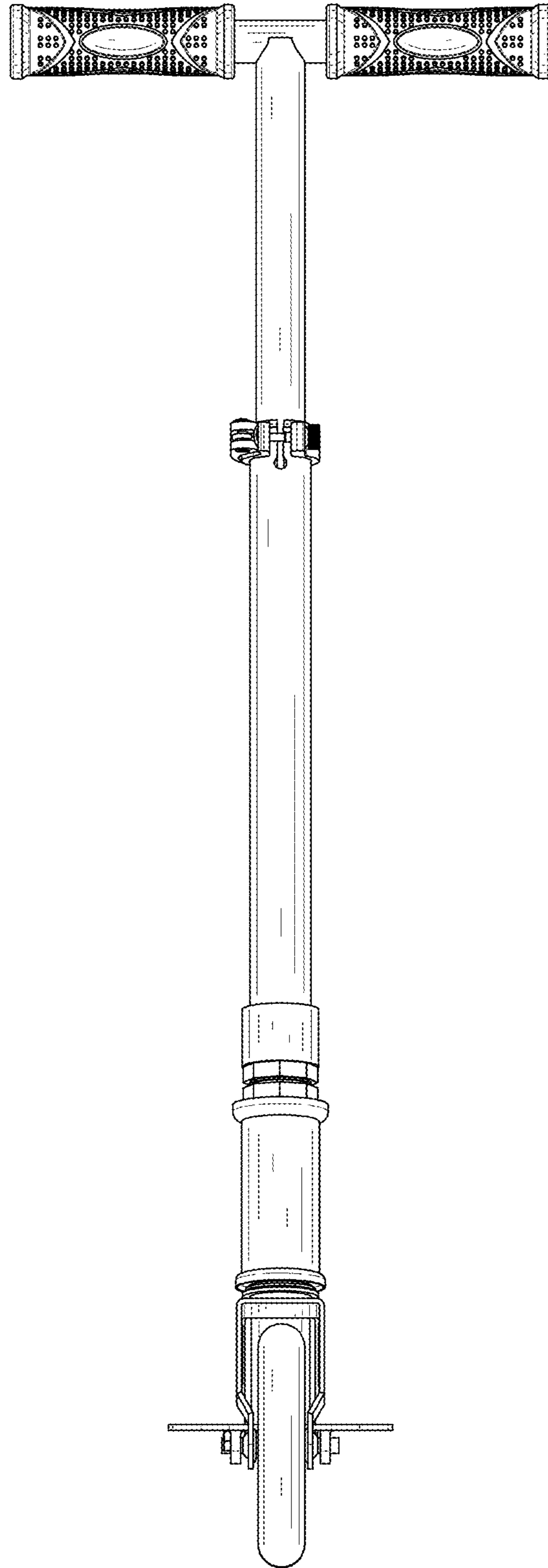


FIG. 3

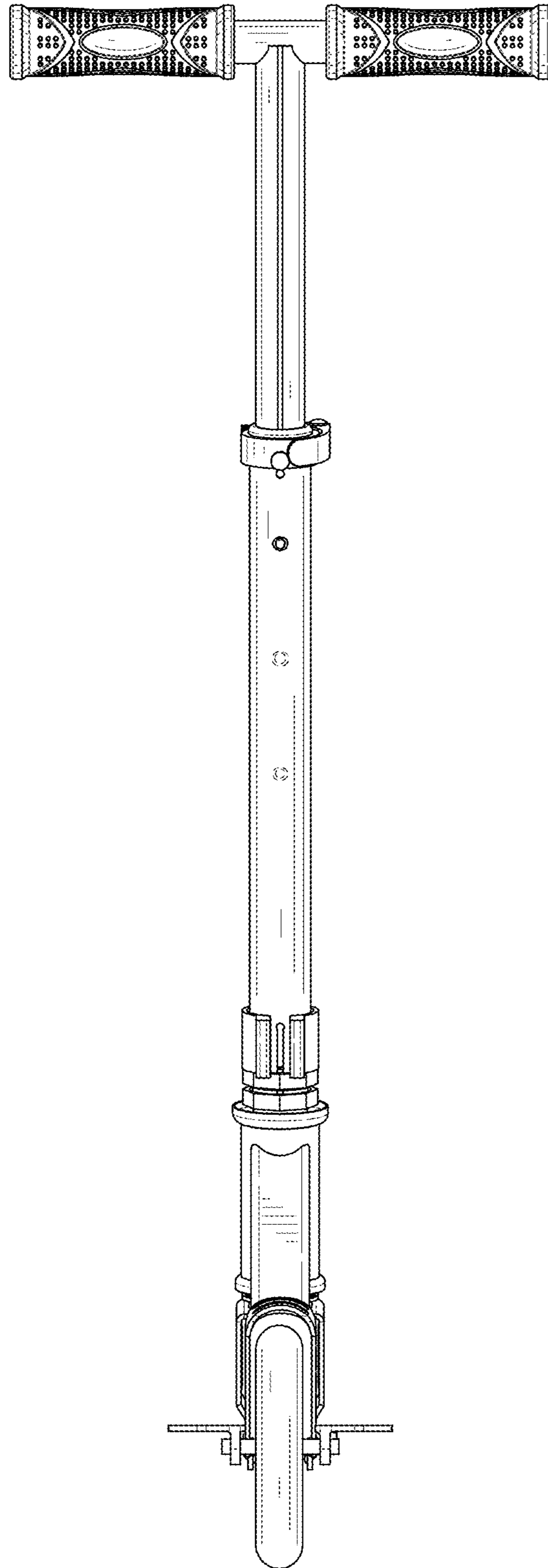


FIG. 4

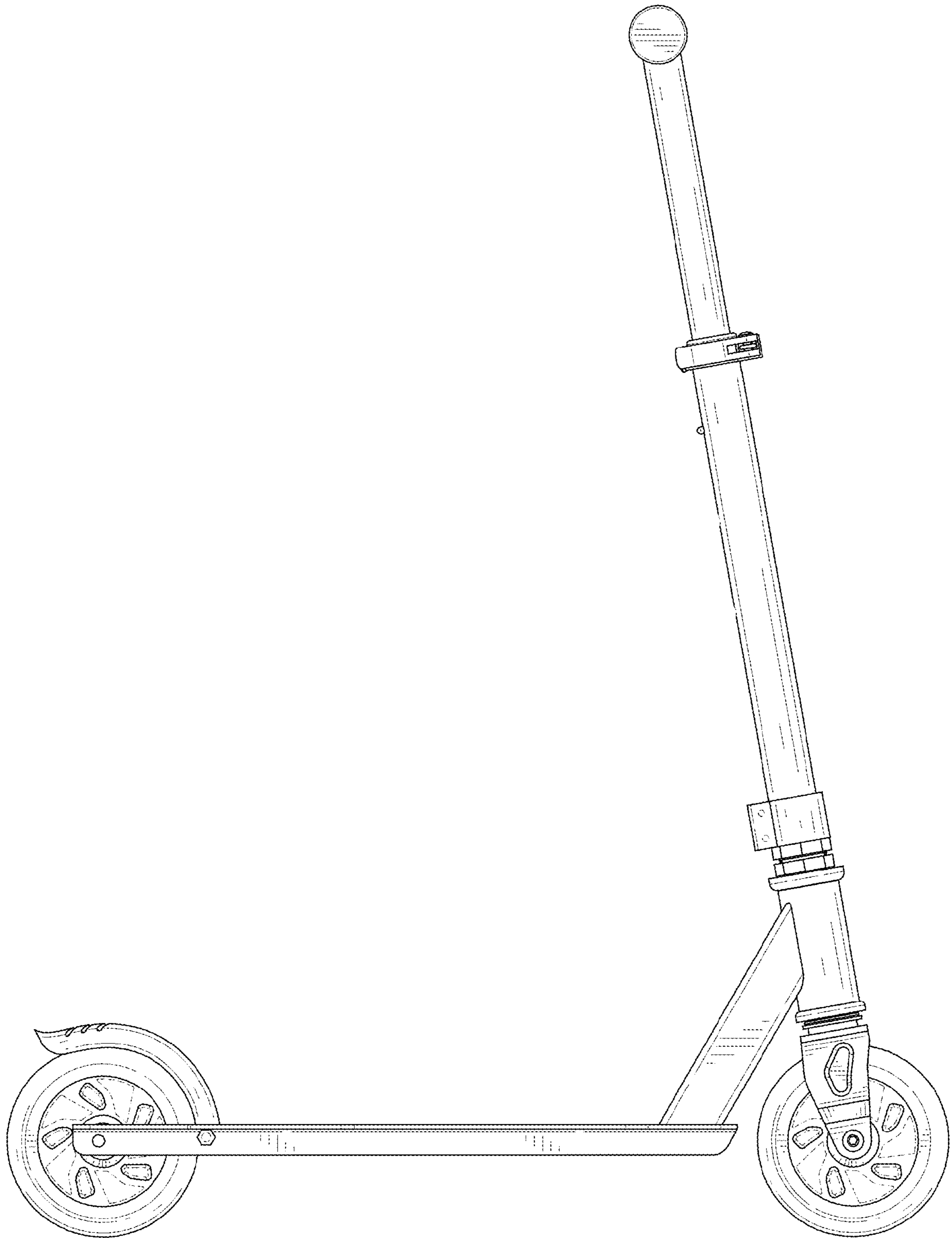


FIG. 5

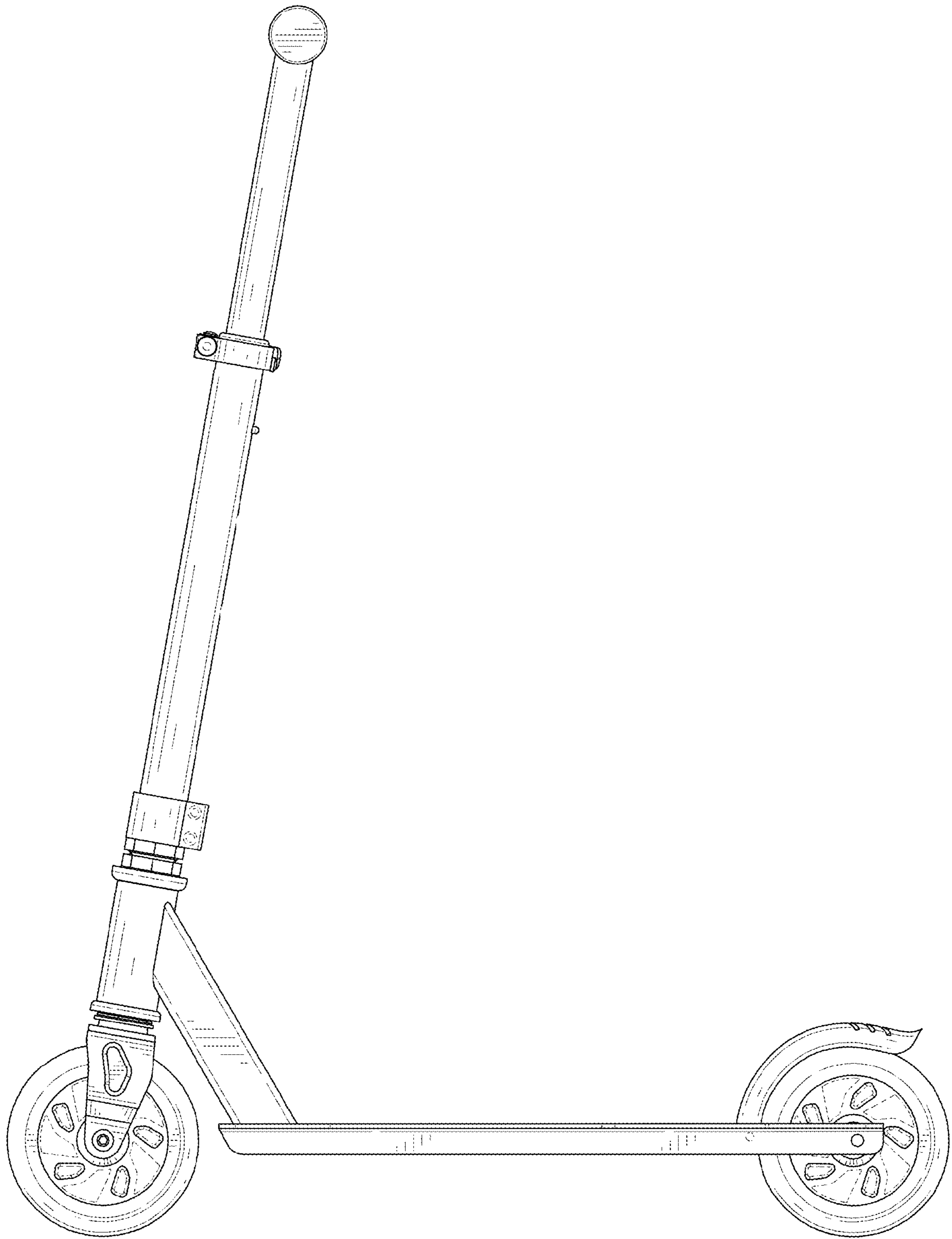


FIG. 6

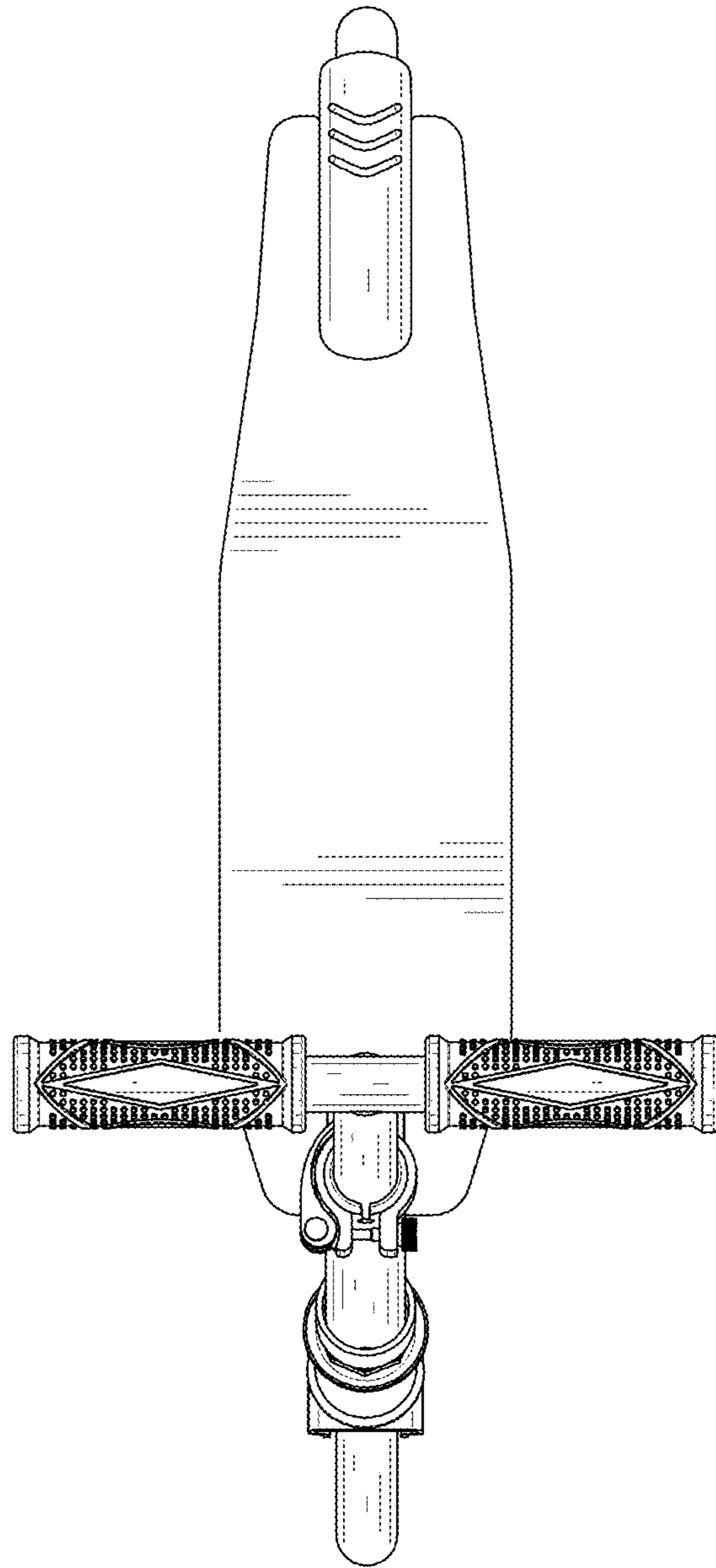


FIG. 7

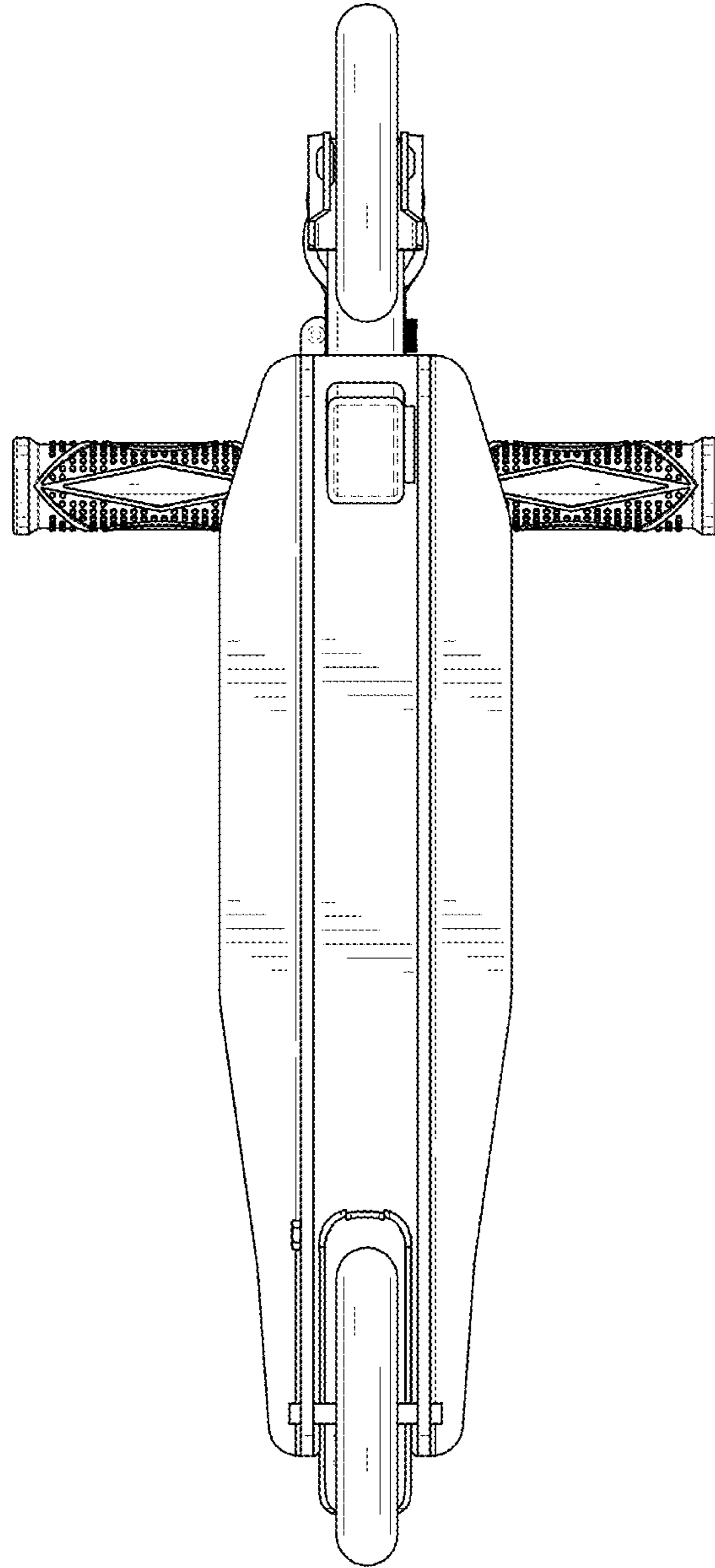


FIG. 8

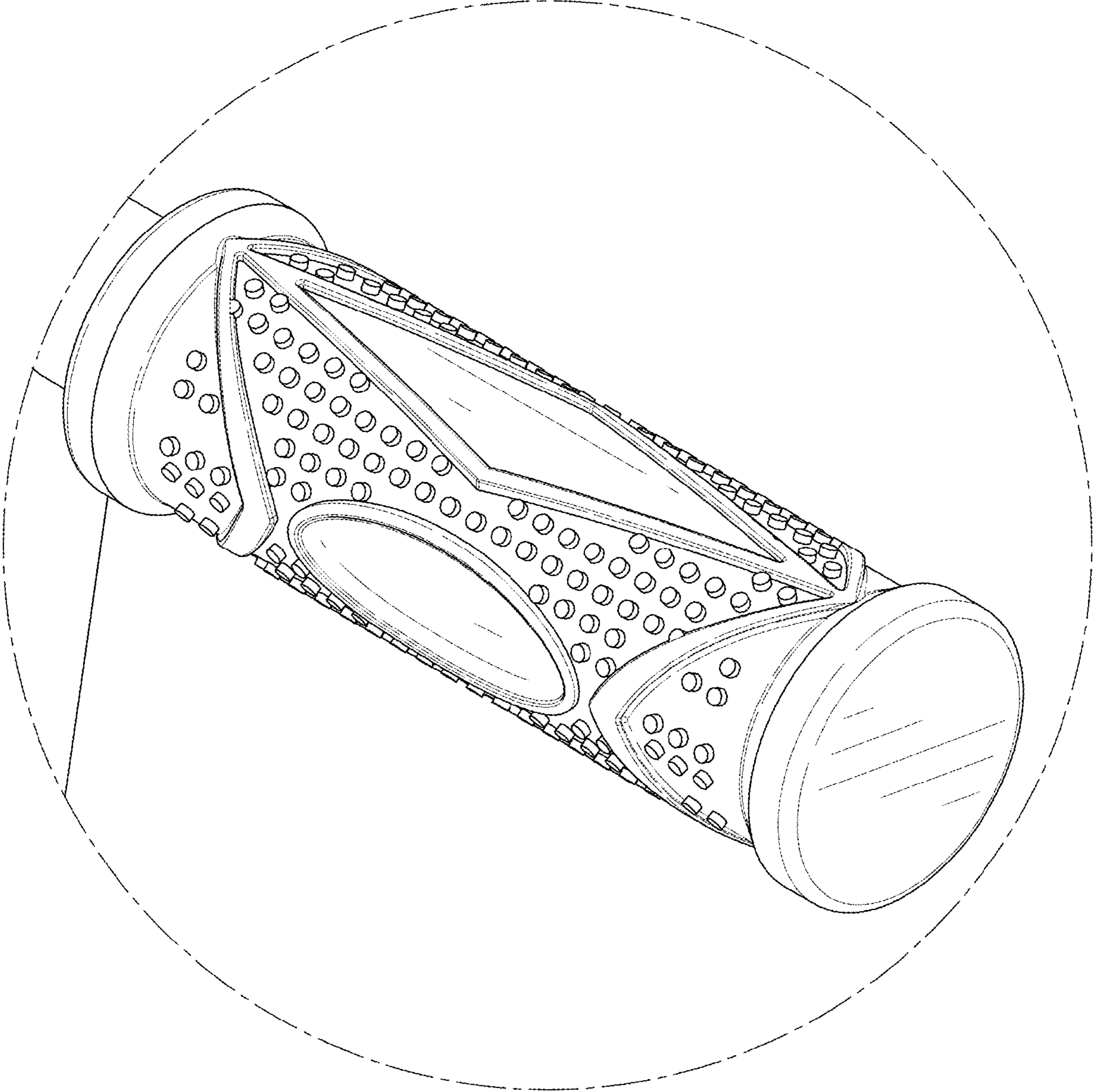


FIG. 9

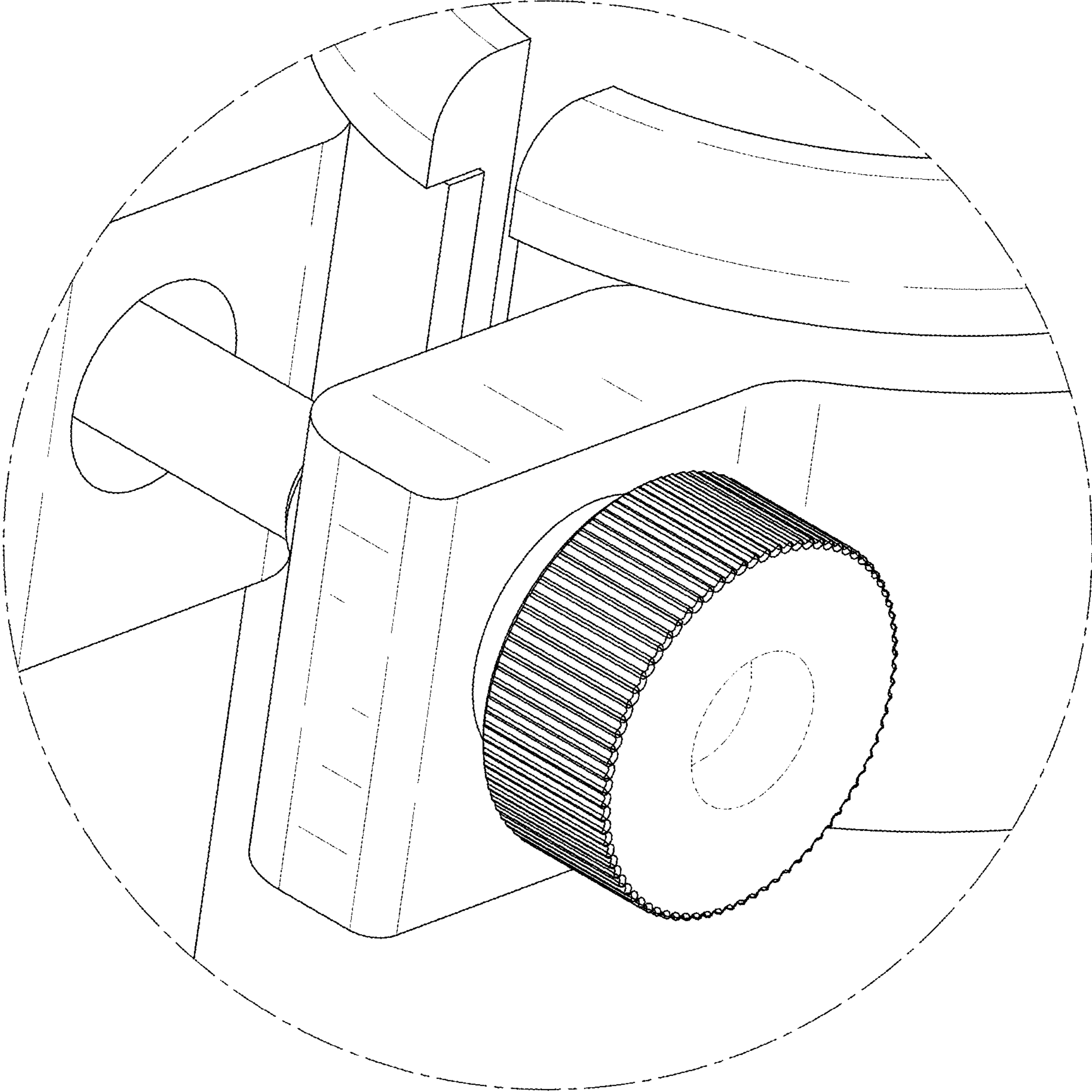


FIG. 10

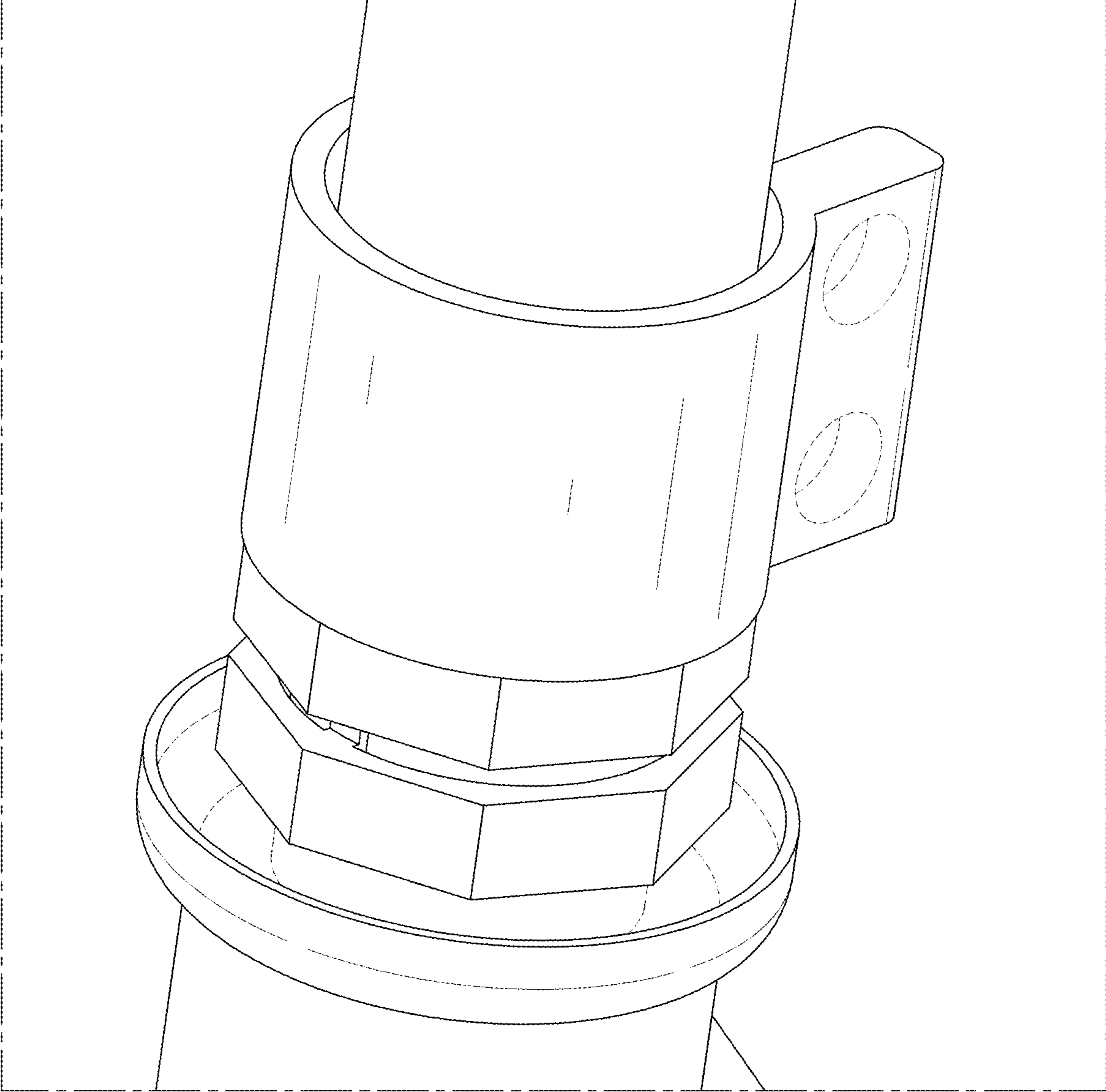


FIG. 11

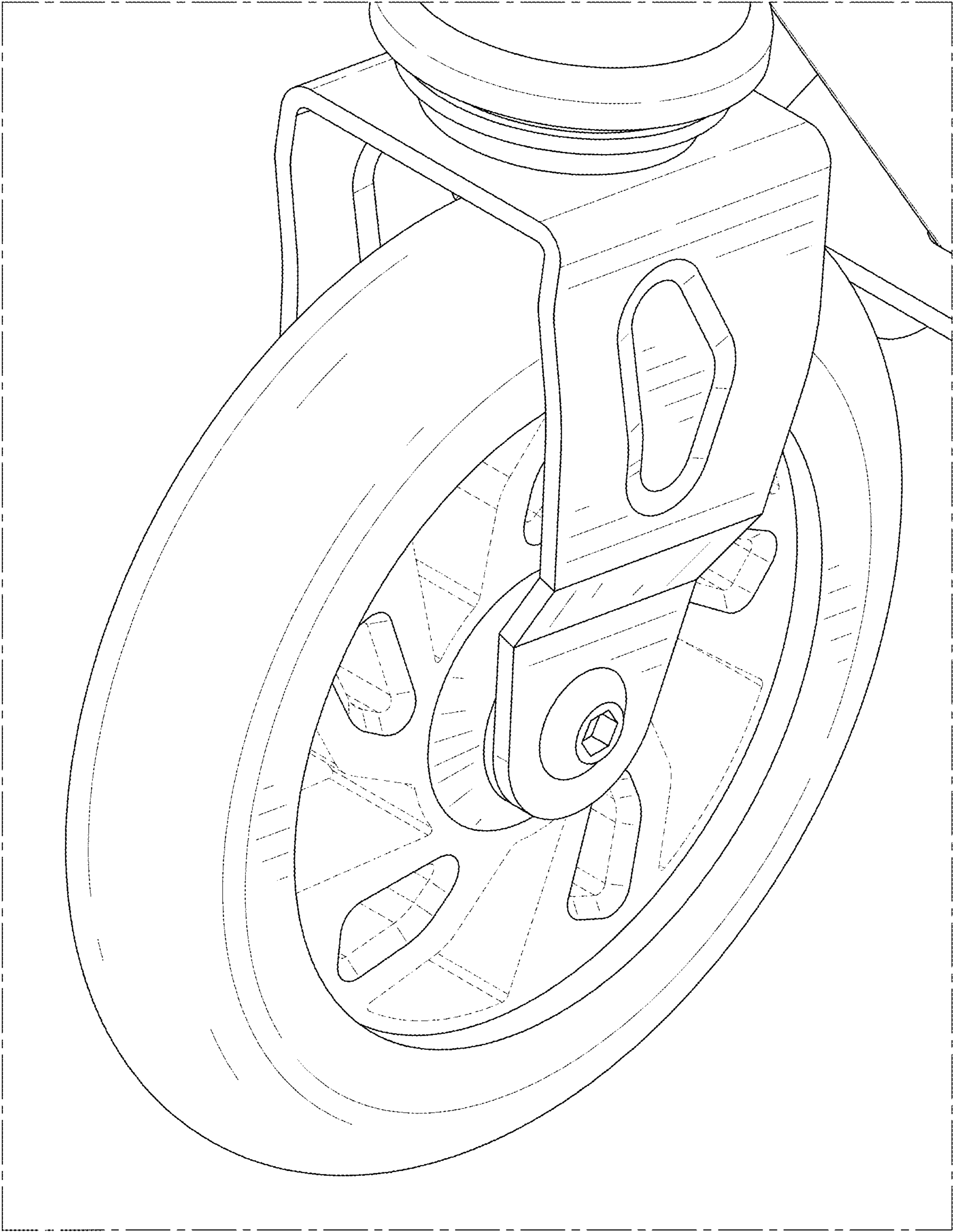


FIG. 12