



US00D936150S

(12) **United States Design Patent**
Bussey et al.

(10) **Patent No.:** **US D936,150 S**

(45) **Date of Patent:** **** Nov. 16, 2021**

(54) **CURVED DISPLAY FOR A GAMING MACHINE**

(71) Applicant: **Everi Games, Inc.**, Austin, TX (US)

(72) Inventors: **Travis B. Bussey**, Austin, TX (US);
Craig S. Gallagher, Austin, TX (US);
Peter A. Phillips, Jr., Austin, TX (US);
Keith W. Riggs, Austin, TX (US)

(73) Assignee: **Everi Games Inc.**, Austin, TX (US)

(**) Term: **15 Years**

(21) Appl. No.: **29/709,236**

(22) Filed: **Oct. 11, 2019**

(51) **LOC (13) Cl.** **21-03**

(52) **U.S. Cl.**
USPC **D21/369**

(58) **Field of Classification Search**
USPC D21/329, 332, 333, 365, 385, 694, 371,
D21/325, 324, 336, 369; D6/300, 301,
D6/302, 308, 332, 650, 650.1, 668, 670,
D6/691.3, 703.1, 705.1
CPC A63F 59/04
See application file for complete search history.

(56) **References Cited**

U.S. PATENT DOCUMENTS

D405,963 S *	2/1999	Arbak	D6/310
D498,267 S	11/2004	Crouch		
D506,331 S *	6/2005	Quintal	D6/332
D508,719 S *	8/2005	de Haas	D21/325
D523,092 S *	6/2006	Karlsson	D21/329
D525,664 S	7/2006	Cole		
D525,665 S *	7/2006	Karlsson	D21/329

(Continued)

Primary Examiner — Khawaja Anwar
Assistant Examiner — Julice Seung Eun Oum

(74) *Attorney, Agent, or Firm* — The Culbertson Group, P.C.; Russell D. Culbertson

(57) **CLAIM**

The ornamental design for a curved display for a gaming machine, as shown and described.

DESCRIPTION

FIG. 1 is a perspective view from above of a curved display for a gaming machine showing a first embodiment of the design.

FIG. 2 is a front view of the curved display for a gaming machine shown in FIG. 1.

FIG. 3 is a back view of the curved display for a gaming machine shown in FIG. 1.

FIG. 4 is a right side view of the curved display for a gaming machine shown in FIG. 1.

FIG. 5 is a left side view of the curved display for a gaming machine shown in FIG. 1.

FIG. 6 is a top view of the curved display for a gaming machine shown in FIG. 1.

FIG. 7 is a bottom view of the curved display for a gaming machine shown in FIG. 1.

FIG. 8 is a perspective view from above of a curved display for a gaming machine showing a second embodiment of the design.

FIG. 9 is a front view of the curved display for a gaming machine shown in FIG. 8.

FIG. 10 is a back view of the curved display for a gaming machine shown in FIG. 8.

FIG. 11 is a right side view of the curved display for a gaming machine shown in FIG. 8.

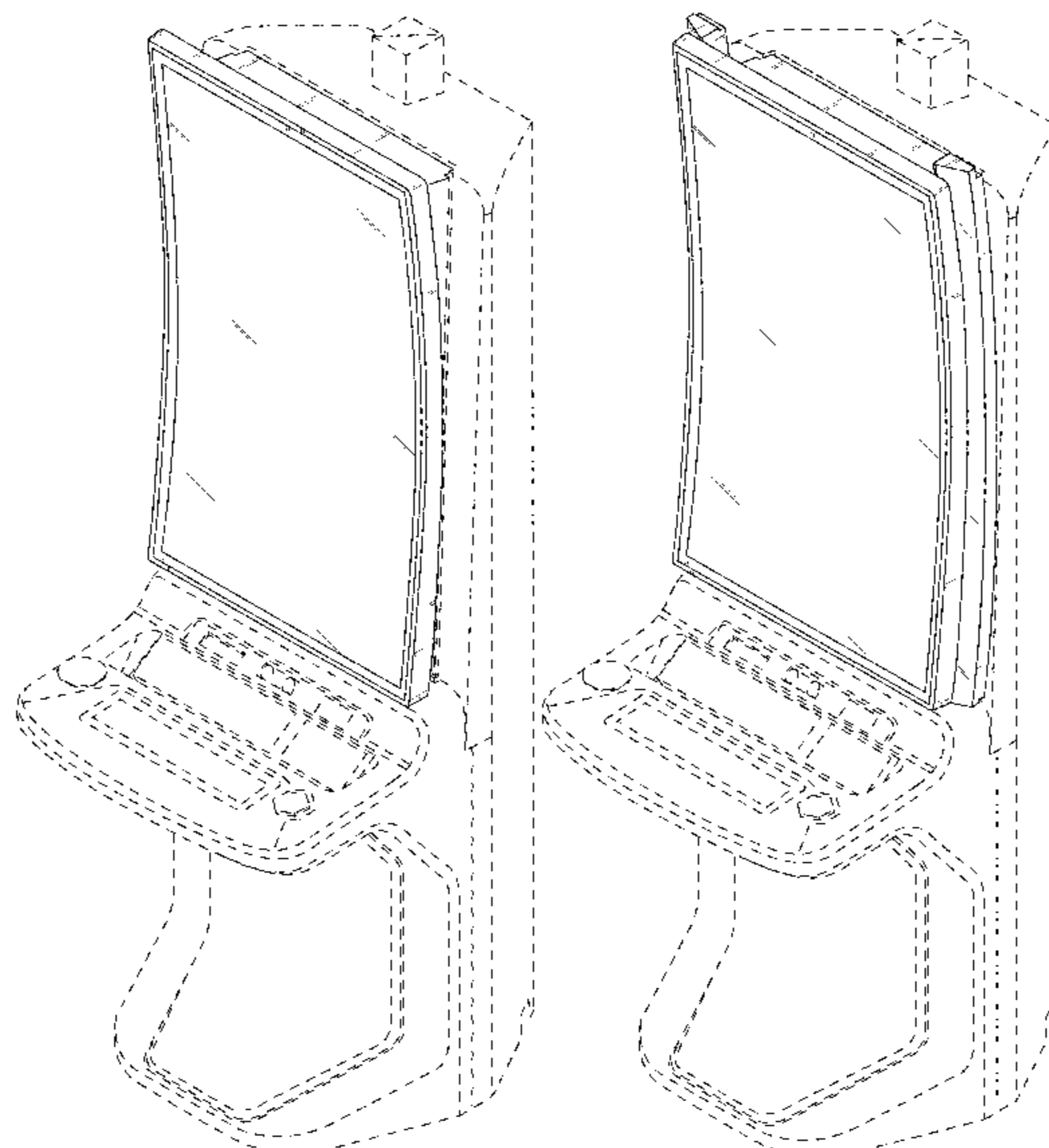
FIG. 12 is a left side view of the curved display for a gaming machine shown in FIG. 8.

FIG. 13 is a top view of the curved display for a gaming machine shown in FIG. 8; and,

FIG. 14 is a bottom view of the curved display for a gaming machine shown in FIG. 8.

The broken lines shown in the drawings depict environmental structure and form no part of the claimed design.

1 Claim, 12 Drawing Sheets



(56)

References Cited

U.S. PATENT DOCUMENTS

D617,388 S 6/2010 Wildner
 D673,619 S 1/2013 Seelig
 D673,620 S 1/2013 Johnson
 D673,621 S 1/2013 Johnson
 D716,242 S * 10/2014 Bliven D14/126
 D723,626 S 3/2015 Vasquez
 D763,361 S * 8/2016 Rosander D21/370
 D782,835 S * 4/2017 Parshad D6/332
 9,704,337 B2 7/2017 Riggs
 D810,833 S * 2/2018 Rosander D21/370
 D812,146 S 3/2018 Castro
 D812,148 S * 3/2018 Castro D21/369
 D813,954 S 3/2018 Calhoun
 D819,747 S 6/2018 Castro
 D820,915 S * 6/2018 Lee D21/369
 D826,338 S 8/2018 Bussey
 D832,357 S 10/2018 Castro
 D832,358 S 10/2018 Castro
 D836,164 S 12/2018 Castro

D842,932 S 3/2019 Stair
 D843,473 S * 3/2019 Zedell, Jr. D21/369
 D843,482 S 3/2019 Holland
 D850,537 S * 6/2019 Urban D21/370
 D851,705 S * 6/2019 Steelman D21/369
 D854,621 S 7/2019 Calhoun
 D896,313 S * 9/2020 Castro D21/369
 D896,314 S * 9/2020 Castro D21/369
 D898,128 S * 10/2020 Urban D21/369
 D904,522 S * 12/2020 Kim D21/369
 D905,172 S * 12/2020 Zedell, Jr. D21/369
 D906,433 S * 12/2020 DeMarco D21/369
 D907,714 S * 1/2021 DeMarco D21/369
 D907,715 S * 1/2021 DeMarco D21/369
 D910,116 S * 2/2021 Castro D21/369
 D911,451 S * 2/2021 Ortiz De Viveiros D21/369
 D913,378 S * 3/2021 Glenn, II D21/369
 D918,300 S * 5/2021 DeMarco D21/324
 2008/0113794 A1 5/2008 Cole
 2013/0084948 A1 4/2013 Watkins
 2018/0082523 A1 3/2018 Palermo

* cited by examiner

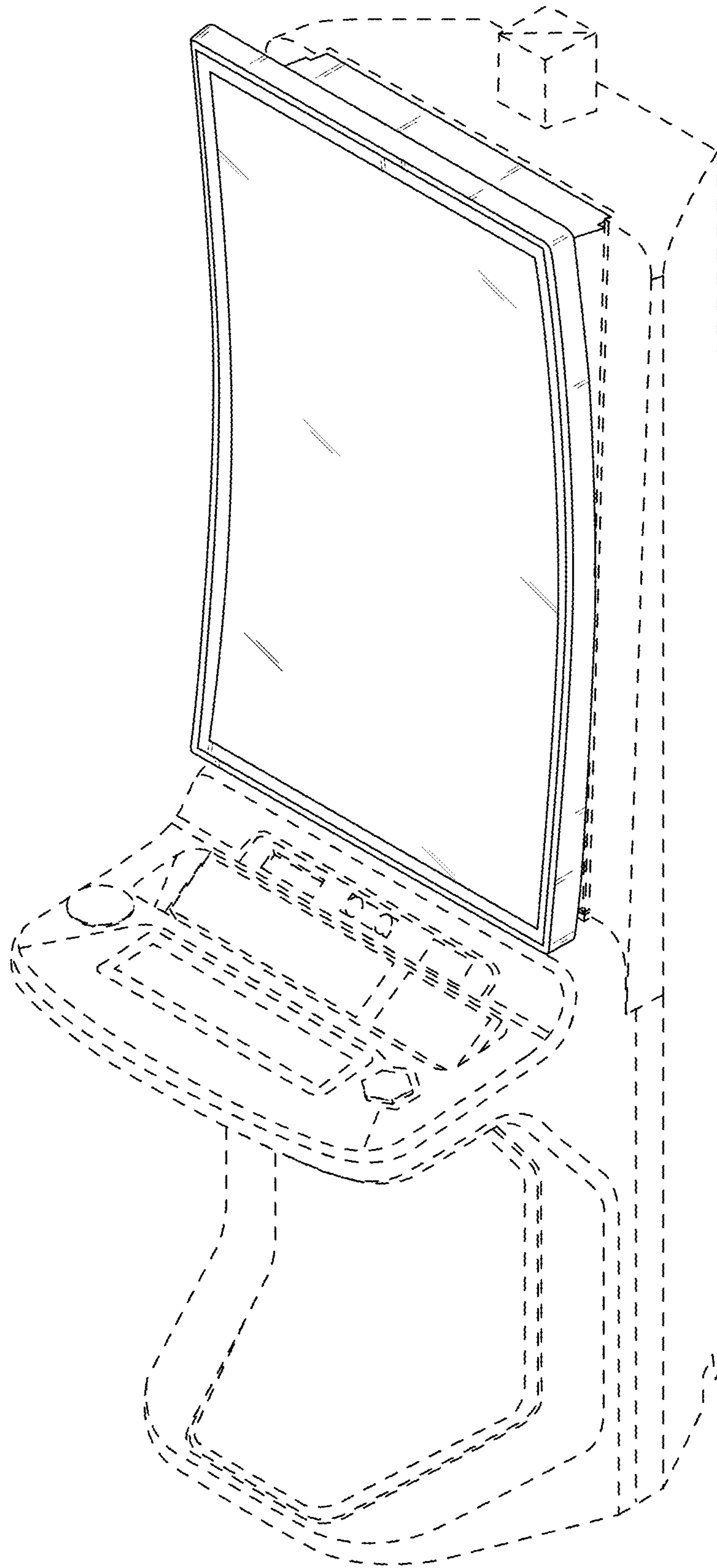


FIG. 1

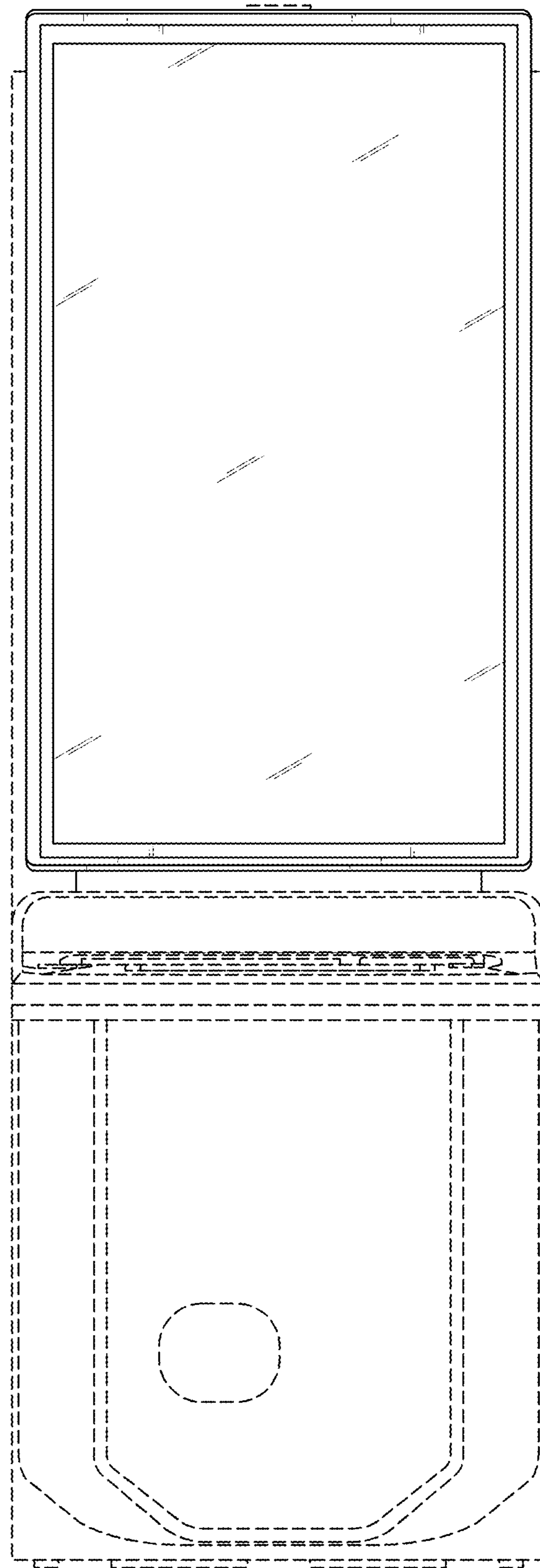


FIG. 2

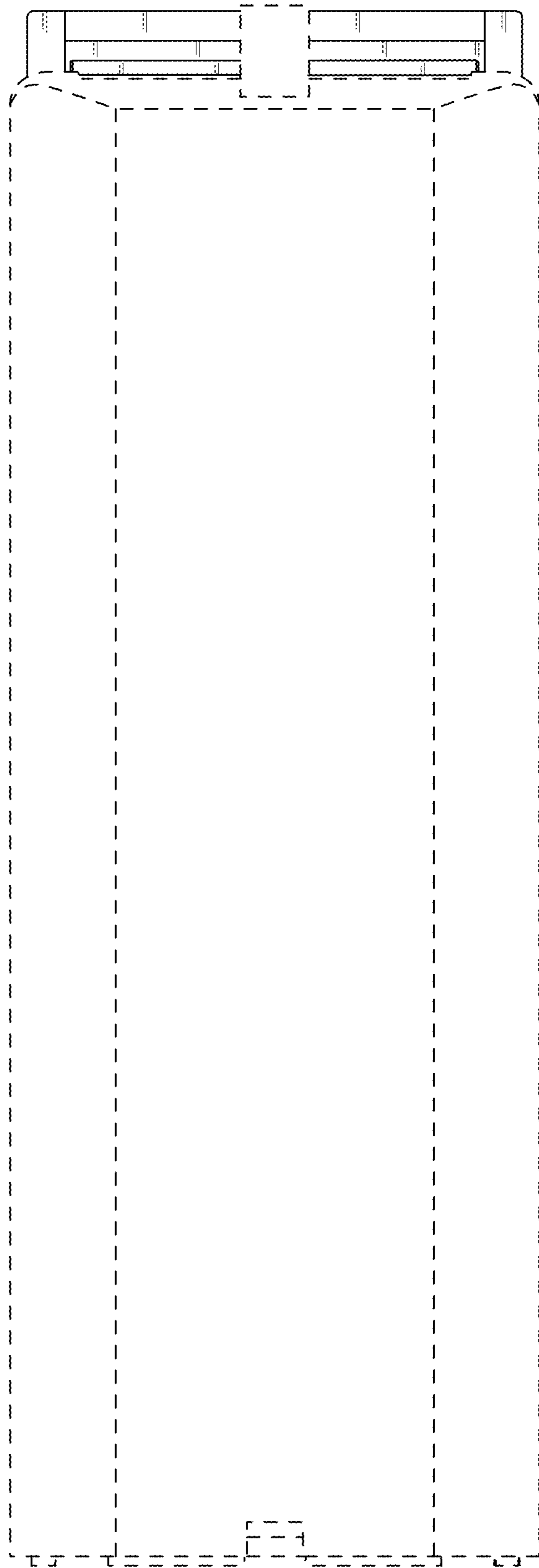


FIG. 3

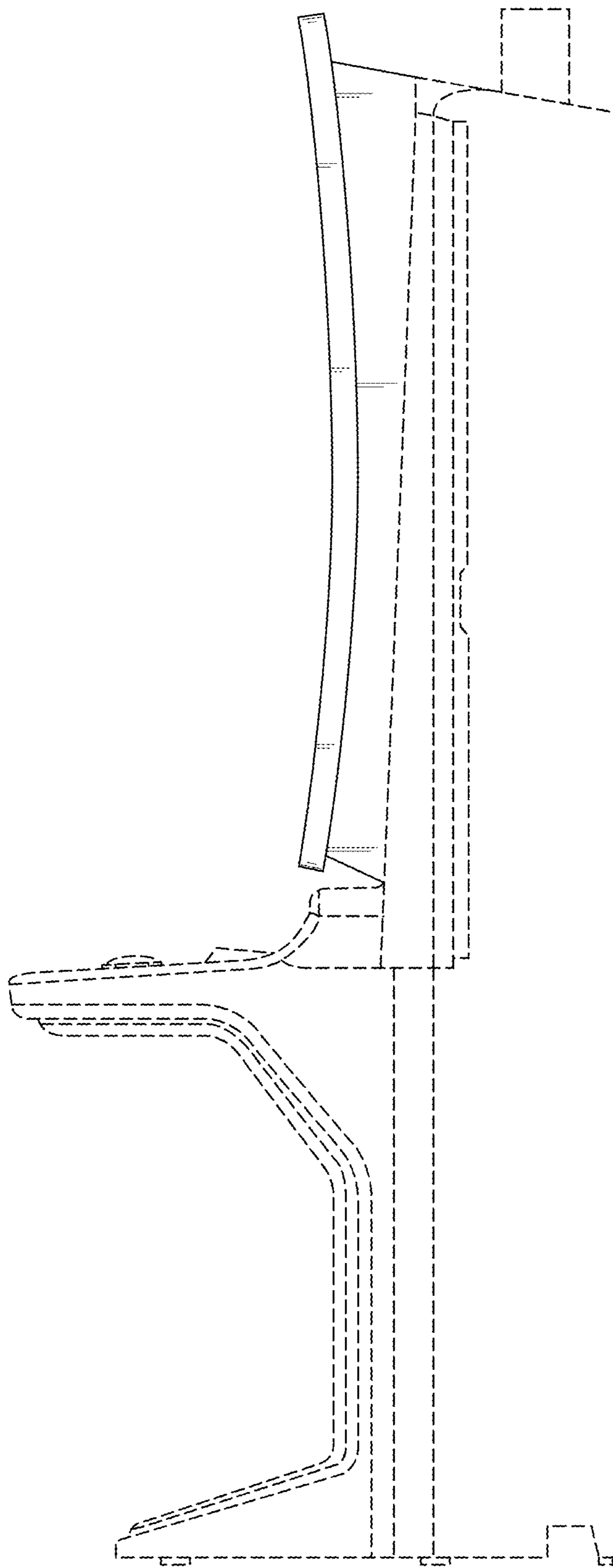


FIG. 4

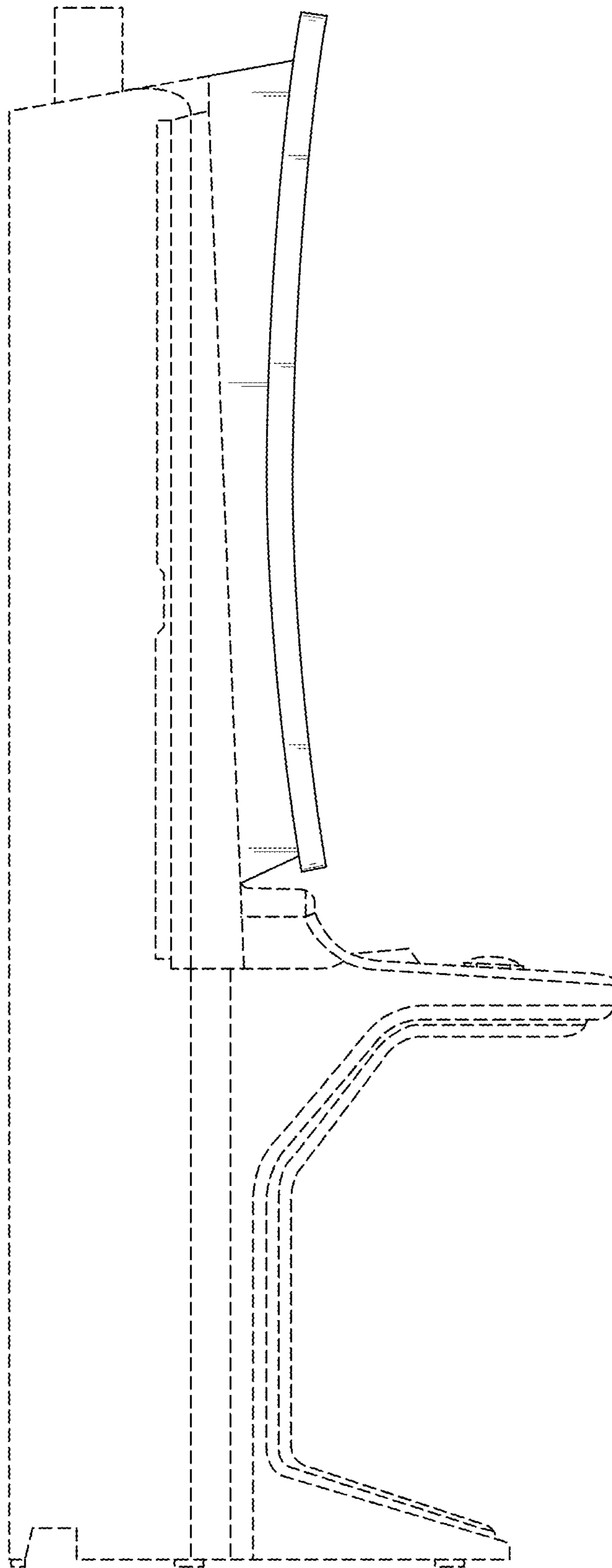


FIG. 5

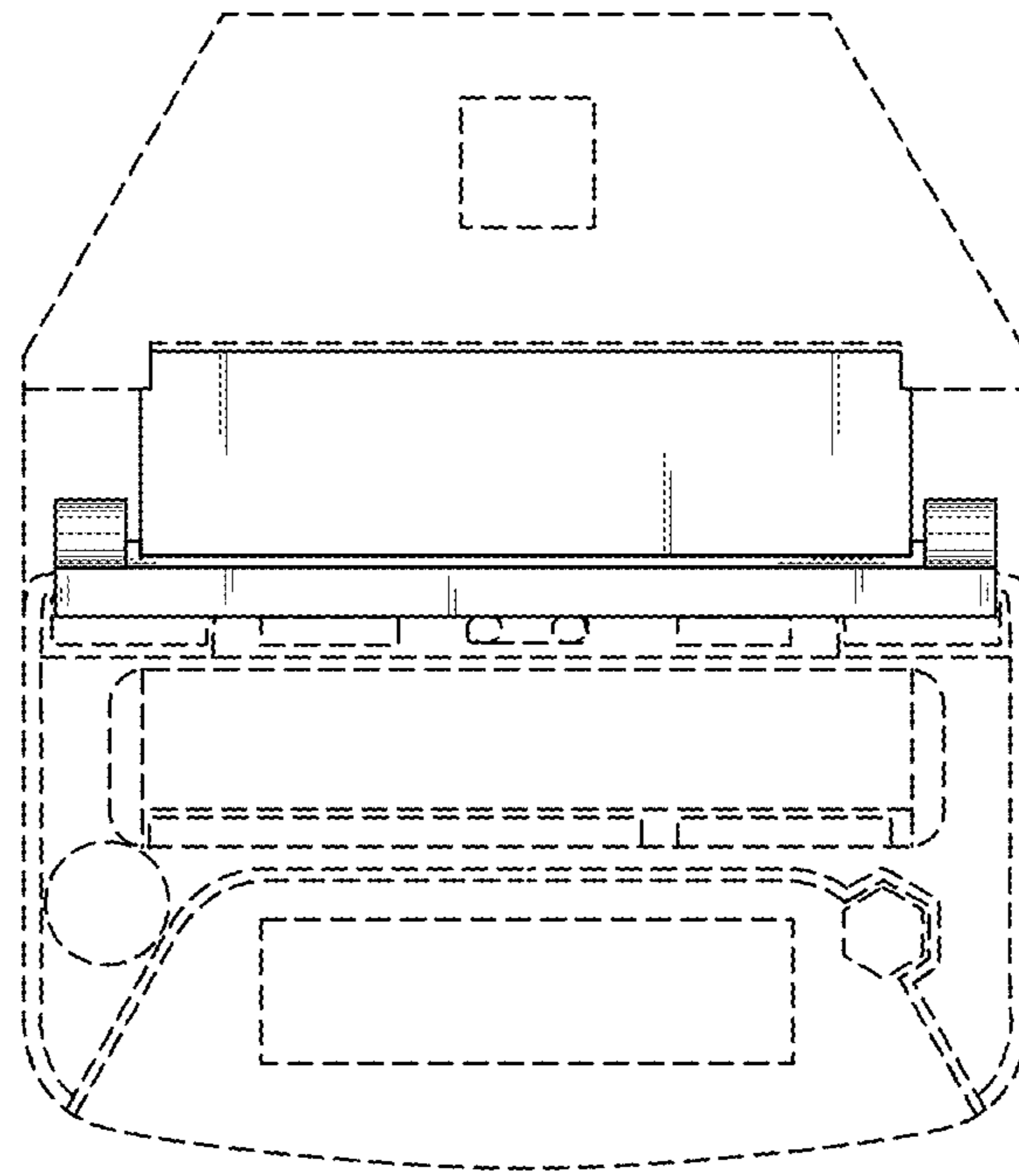


FIG. 6

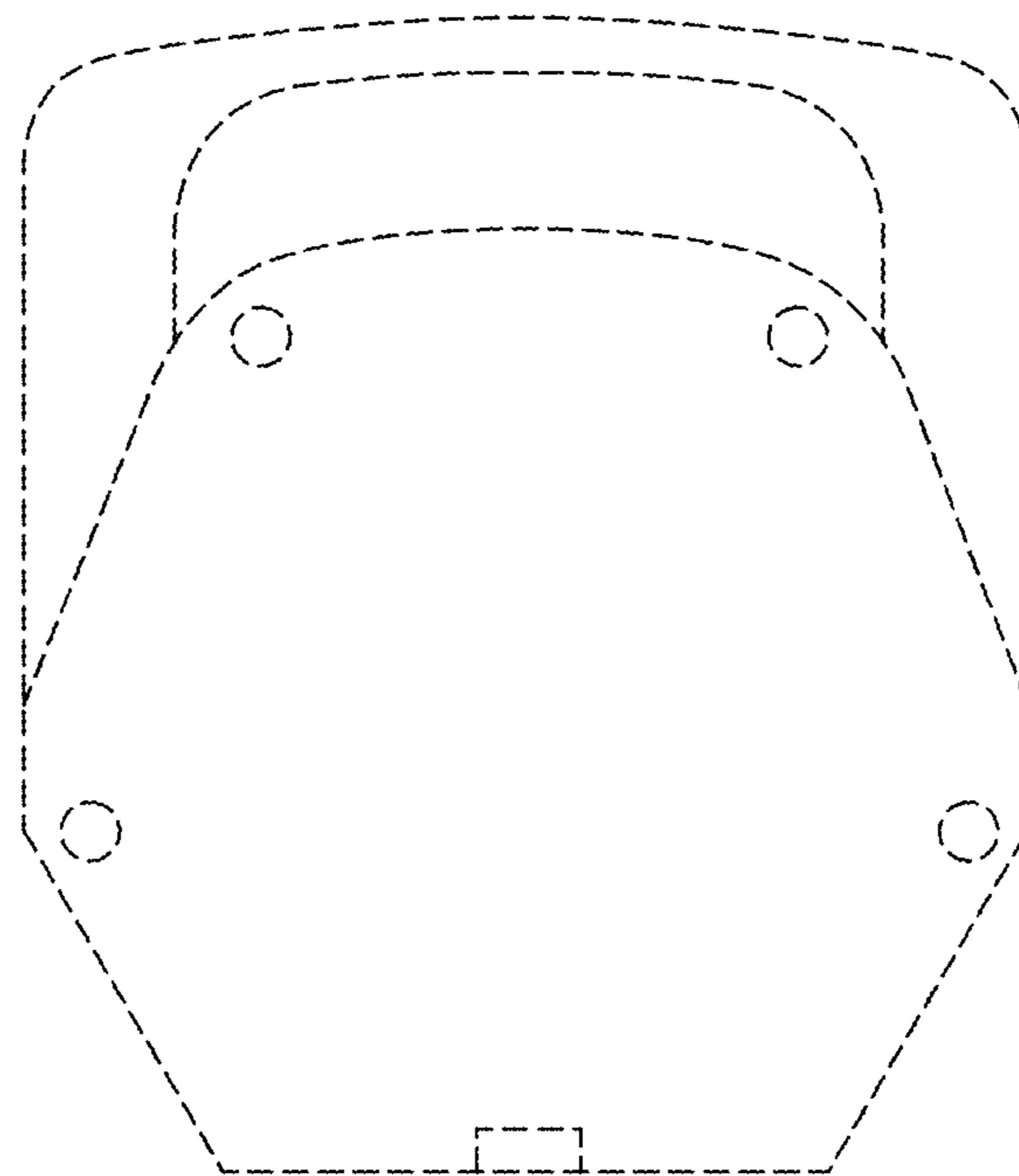


FIG. 7

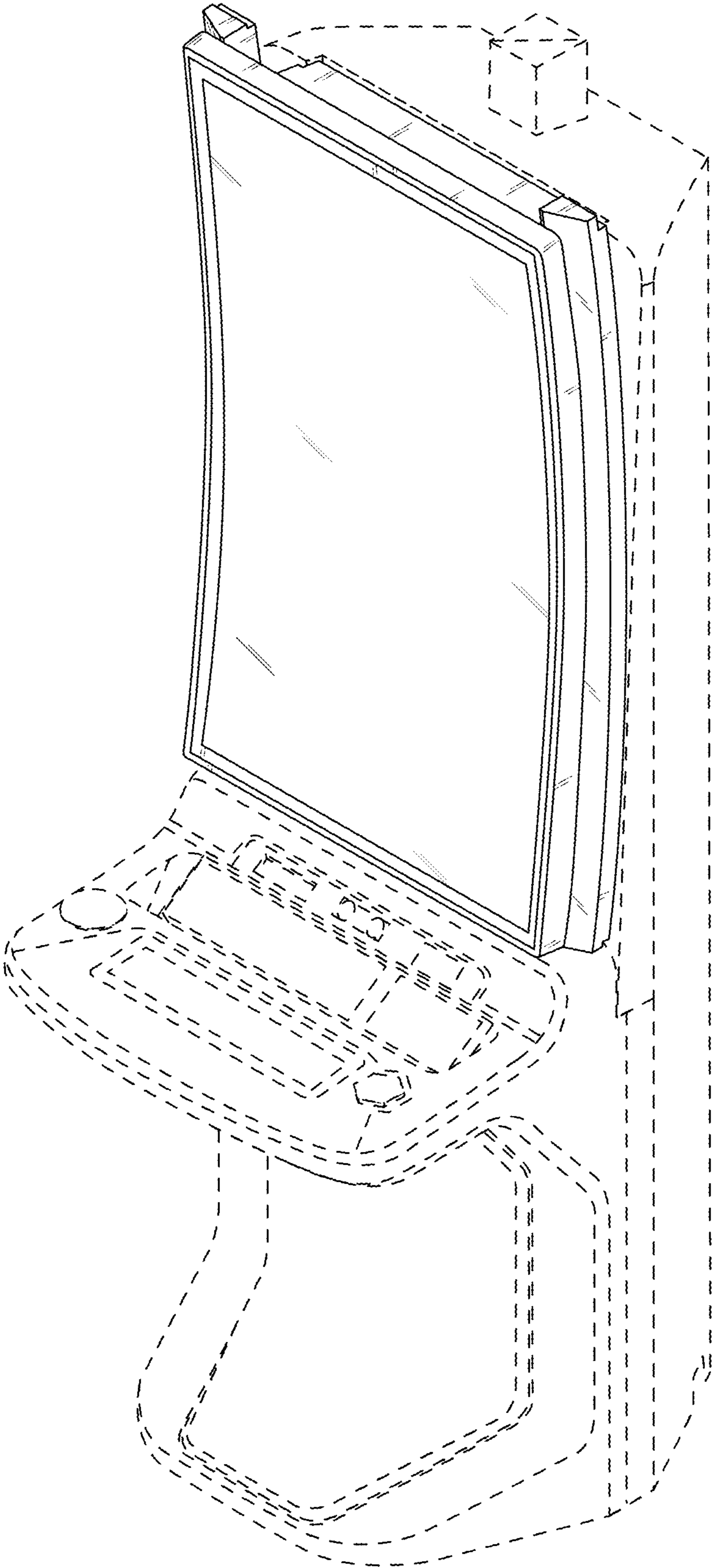


FIG. 8

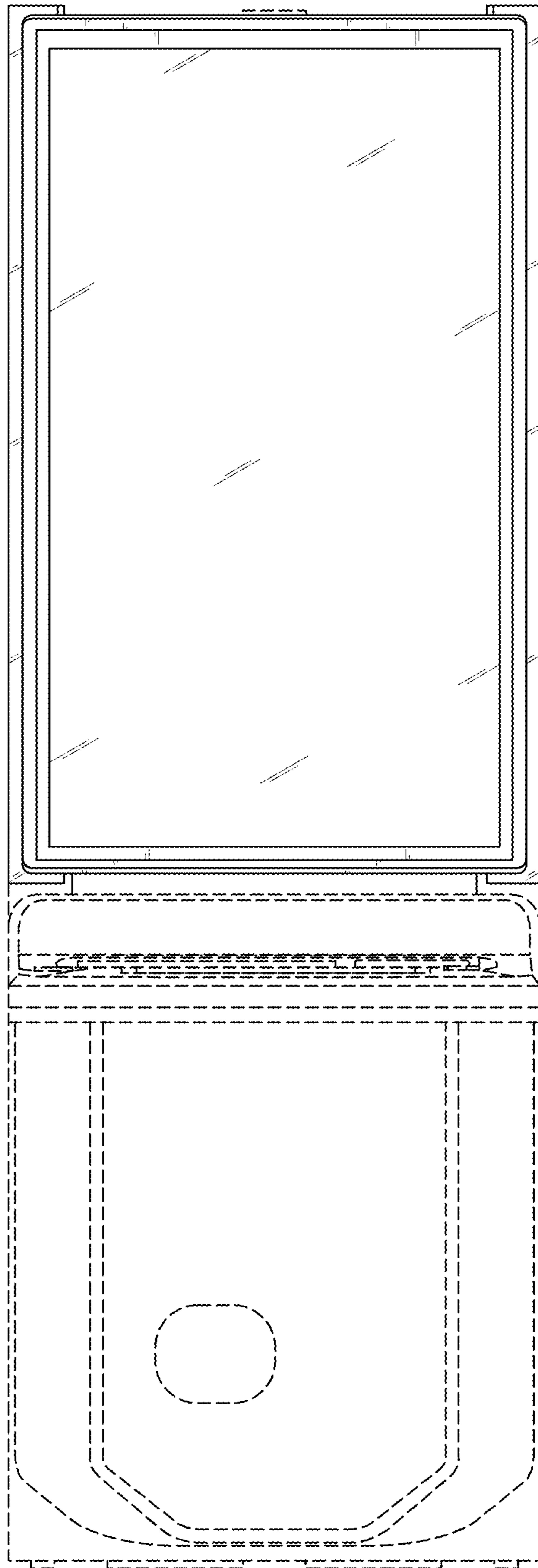


FIG. 9

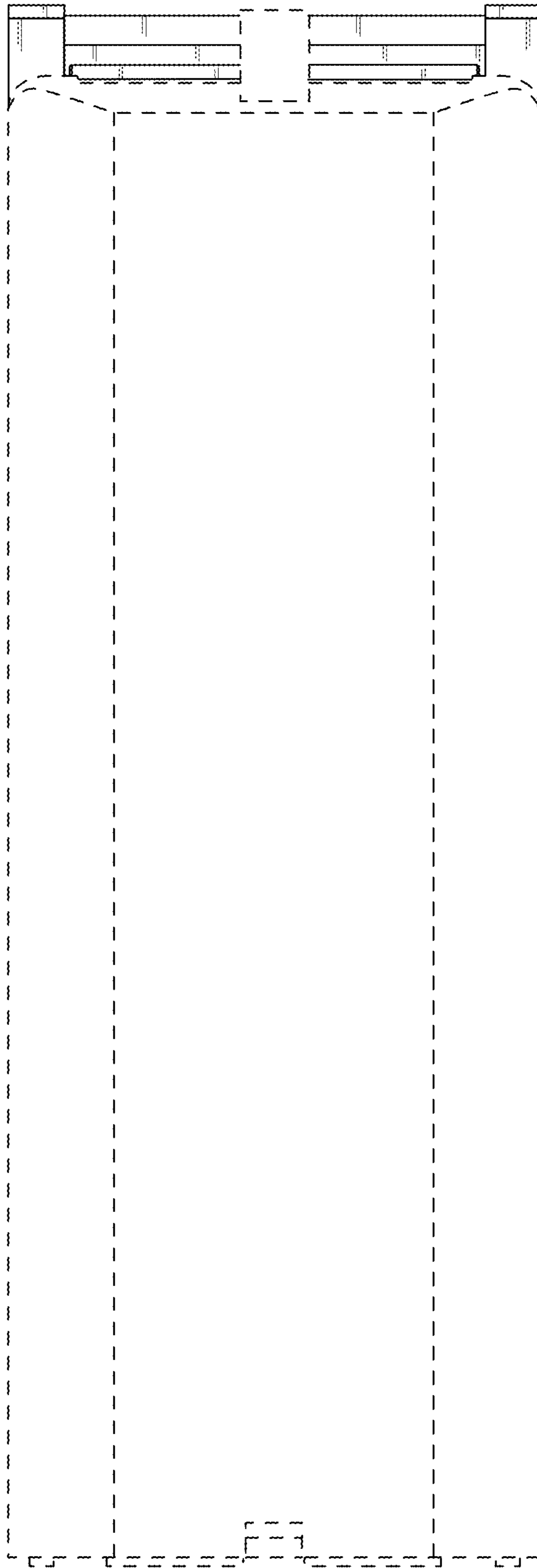


FIG. 10

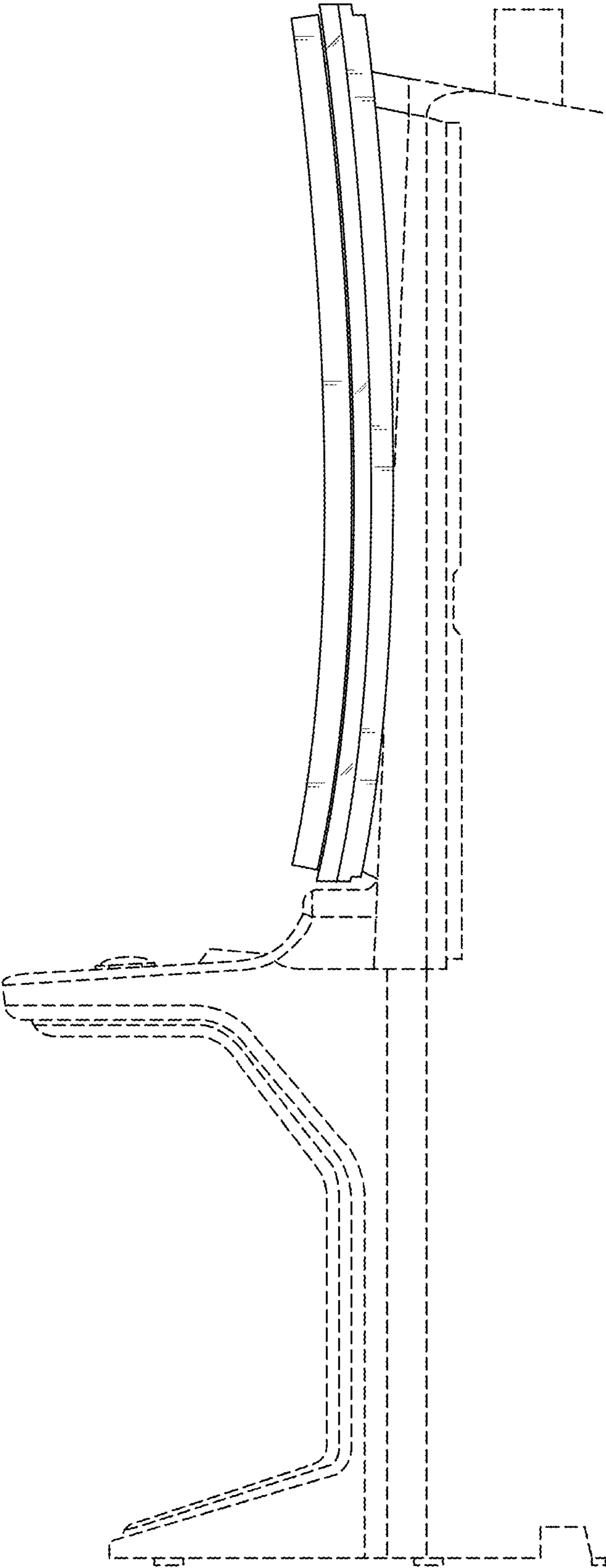


FIG. 11

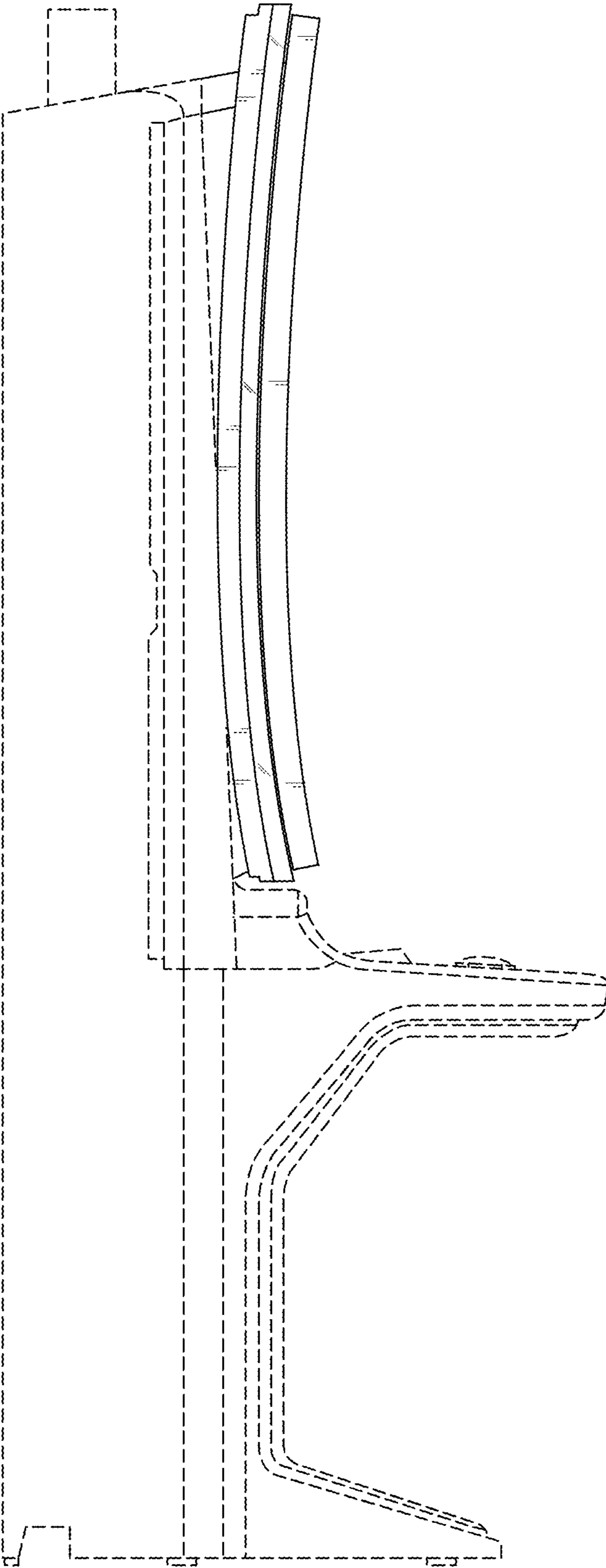


FIG. 12

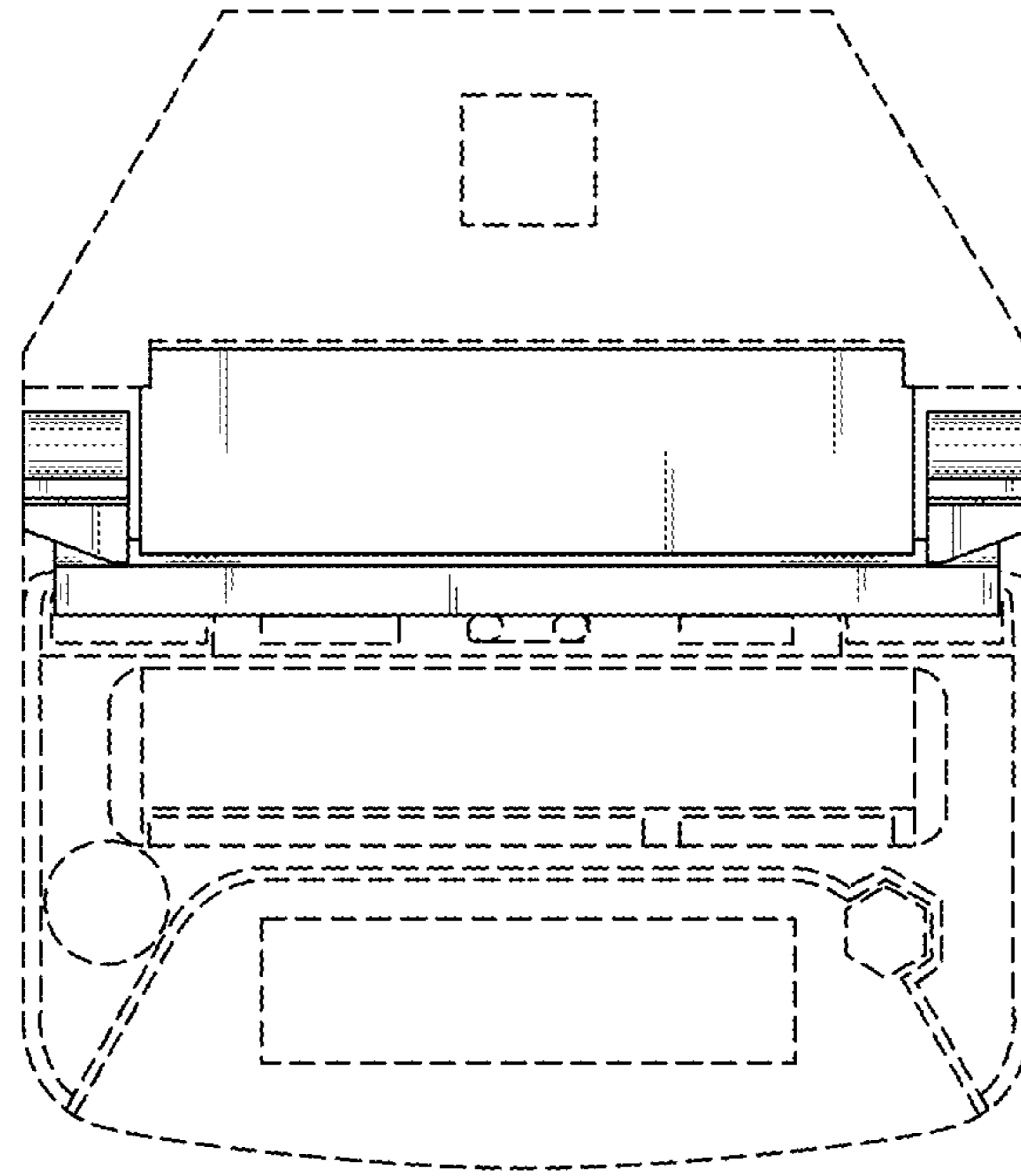


FIG. 13

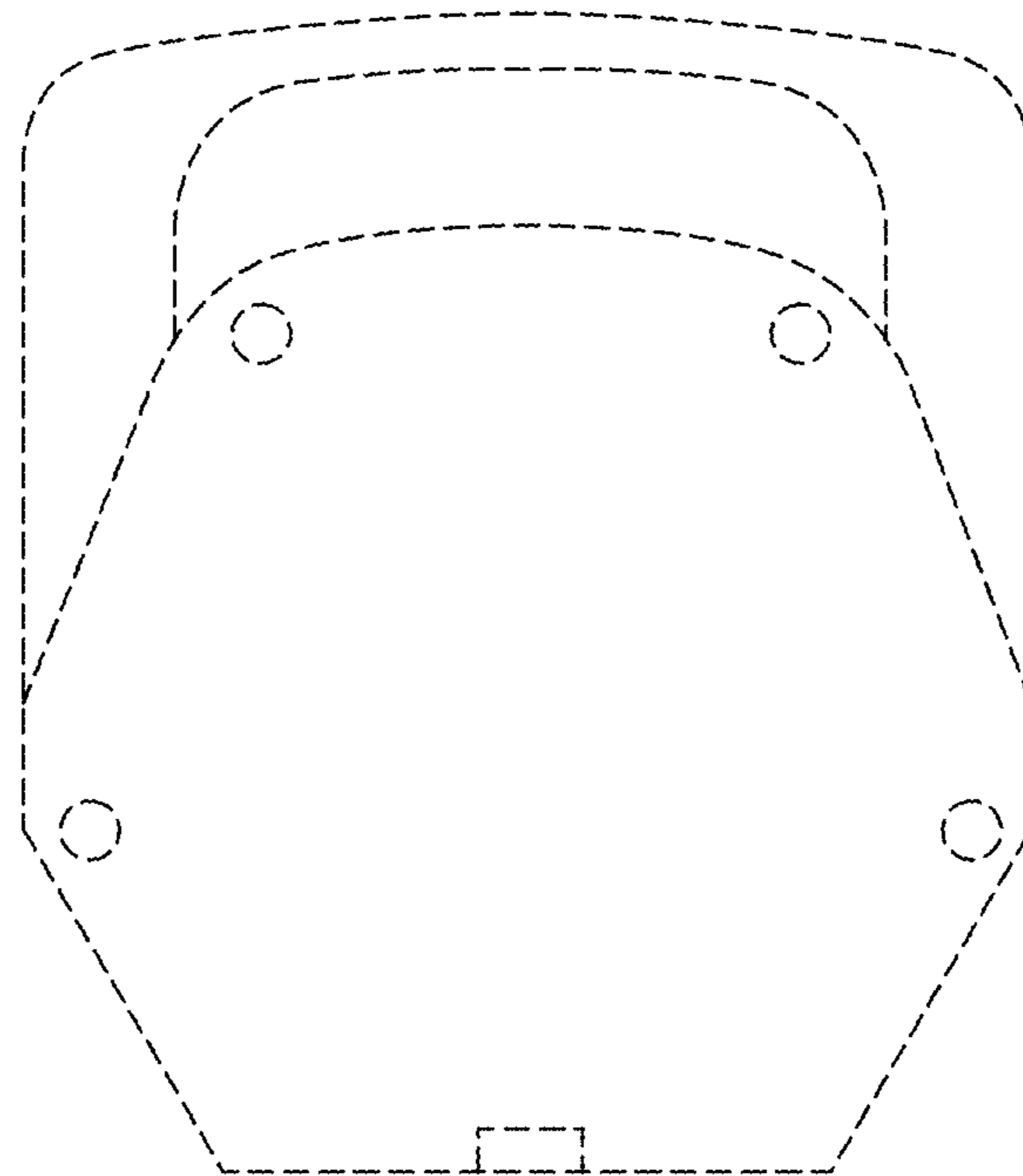


FIG. 14