



US00D936147S

(12) **United States Design Patent**
Zhu

(10) **Patent No.:** **US D936,147 S**

(45) **Date of Patent:** **** Nov. 16, 2021**

(54) **COVER FOR GAME CONTROLLER**

(71) Applicant: **Jiarui Zhu**, Zhongshan (CN)

(72) Inventor: **Jiarui Zhu**, Zhongshan (CN)

(**) Term: **15 Years**

(21) Appl. No.: **29/754,584**

(22) Filed: **Oct. 13, 2020**

(51) **LOC (13) Cl.** **21-01**

(52) **U.S. Cl.**

USPC **D21/333**

(58) **Field of Classification Search**

USPC D21/324–29, 330, 331, 333, 341, 342,
D21/349, 386; D14/137, 138, 160, 168,
D14/174, 177, 190, 217, 218, 250, 299,
D14/322, 341, 345, 346, 353, 354, 356,
D14/387, 388, 389, 399–401, 412–416,
D14/421, 432, 440, 443, 449, 450, 454,
D14/463, 471, 474, 483, 493, 496, 511;
D22/100, 103–105; D13/162, 162.1, 168;
D10/78, 98, 103; D12/174, 177, 190,
D12/218; D18/10

CPC A45C 13/00; A45C 13/001; A45C 13/002;
A63F 13/10; A63F 13/98; A63F 13/24;
A63F 9/0291; A63F 13/06; A63F 13/02;
A63F 9/00; A63F 9/24; A63F 11/00;
G06F 3/0338; G06F 3/014; G06F 3/0346;
G06F 1/1666; G06F 17/00; G06F 19/00;
G06T 7/246; H04N 21/00; H04N 7/14;
C09J 7/38

See application file for complete search history.

(56) **References Cited**

U.S. PATENT DOCUMENTS

D410,643 S * 6/1999 Tonino D14/401
D424,047 S * 5/2000 Chan D14/401
D545,317 S * 6/2007 Wang D14/401
D712,484 S * 9/2014 Sumii D21/333

D712,973 S * 9/2014 Sumii D21/333
D718,818 S * 12/2014 Sumii D21/333
D733,802 S * 7/2015 Burgess D21/333
D806,078 S * 12/2017 Goldman D14/401
D816,083 S * 4/2018 Wu D14/401
D816,170 S * 4/2018 Chatterjee D21/333
D816,674 S * 5/2018 Wu D14/401
D816,773 S * 5/2018 Chatterjee D21/333
D819,641 S * 6/2018 Tsuchiya D14/401
D823,945 S * 7/2018 Falc D21/333
D842,301 S * 3/2019 Chou D14/410
D845,395 S * 4/2019 Strahle D21/333

(Continued)

OTHER PUBLICATIONS

“EXtremeRate Skin for Xbox Series X Controller”, posted Oct. 18, 2020 [Online], [retrieved Dec. 27, 2020]. Retrieved from Internet, <https://tinyurl.com/ya5hey27>.*

(Continued)

Primary Examiner — Sandra Snapp

Assistant Examiner — Mehri Bajoul

(57) **CLAIM**

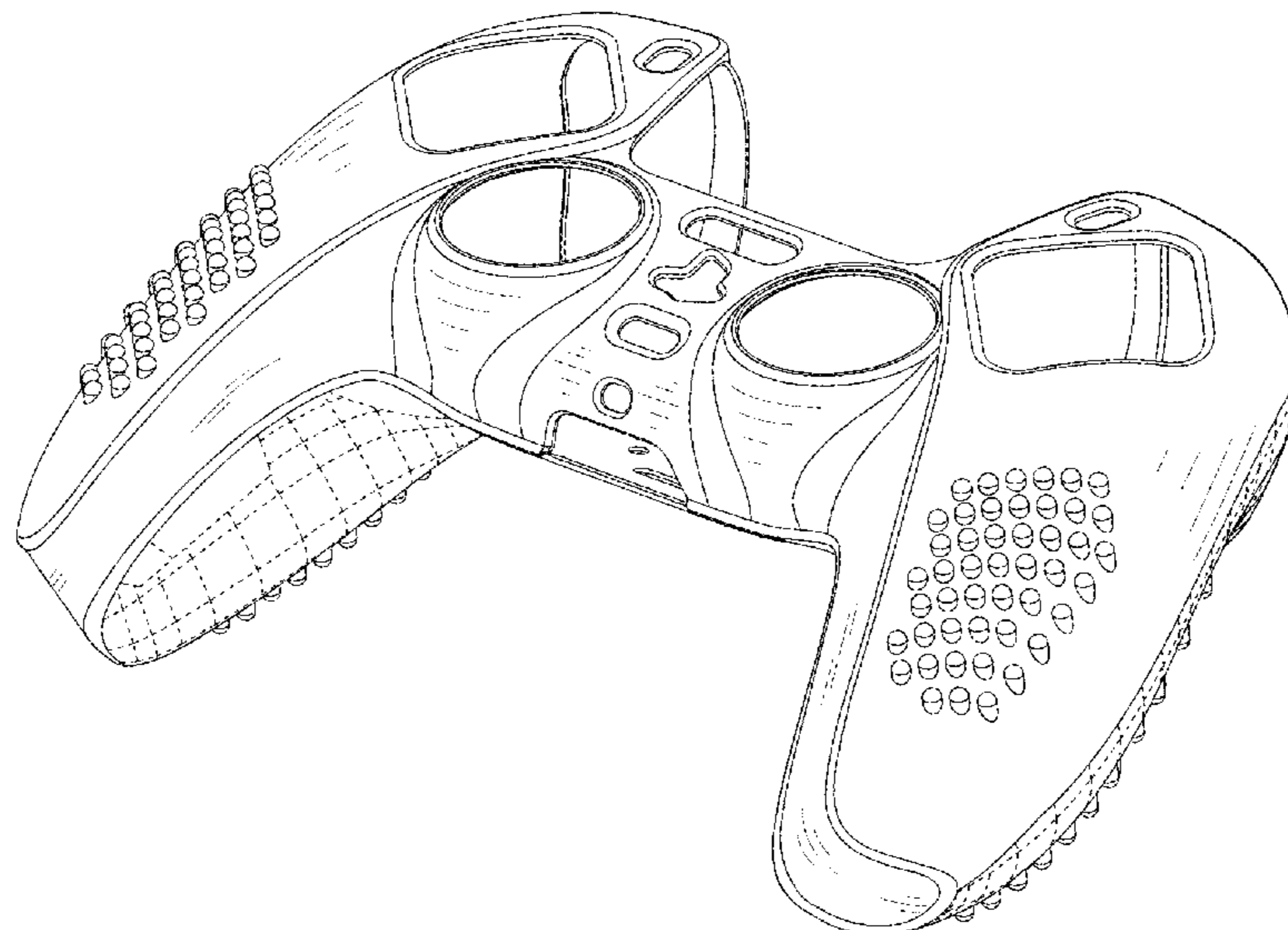
The ornamental design for a cover for game controller, as shown and described.

DESCRIPTION

FIG. 1 is a front perspective view of a cover for game controller, showing my new design;
FIG. 2 is a rear perspective view thereof;
FIG. 3 is a front elevational view thereof;
FIG. 4 is a rear elevational view thereof;
FIG. 5 is a left side elevational view thereof;
FIG. 6 is a right side elevational view thereof;
FIG. 7 is a top plan view thereof; and,
FIG. 8 is a bottom plan view thereof.

The broken lines shown in the figures are for the purpose of illustrating portions of the article, which form no part of the claimed design.

1 Claim, 8 Drawing Sheets



(56)

References Cited

U.S. PATENT DOCUMENTS

D856,334 S *	8/2019	Salter	D14/401
D864,302 S *	10/2019	Strahle	D21/333
D866,664 S *	11/2019	Strahle	D21/333
D868,898 S *	12/2019	Fei	D21/333
D872,183 S *	1/2020	Chatterjee	D21/333
D882,690 S *	4/2020	Tsuchiya	D21/333
D902,938 S *	11/2020	Buller	D14/454
2013/0130800 A1 *	5/2013	Sirilux	A63F 13/31 463/37

OTHER PUBLICATIONS

“EXtremeRate Sakura Silicone Skin for Controller”, posted Oct. 18, 2020 [Online], [retrieved Dec. 27, 2020]. Retrieved from Internet, <https://tinyurl.com/yazfg2vs>.*

* cited by examiner

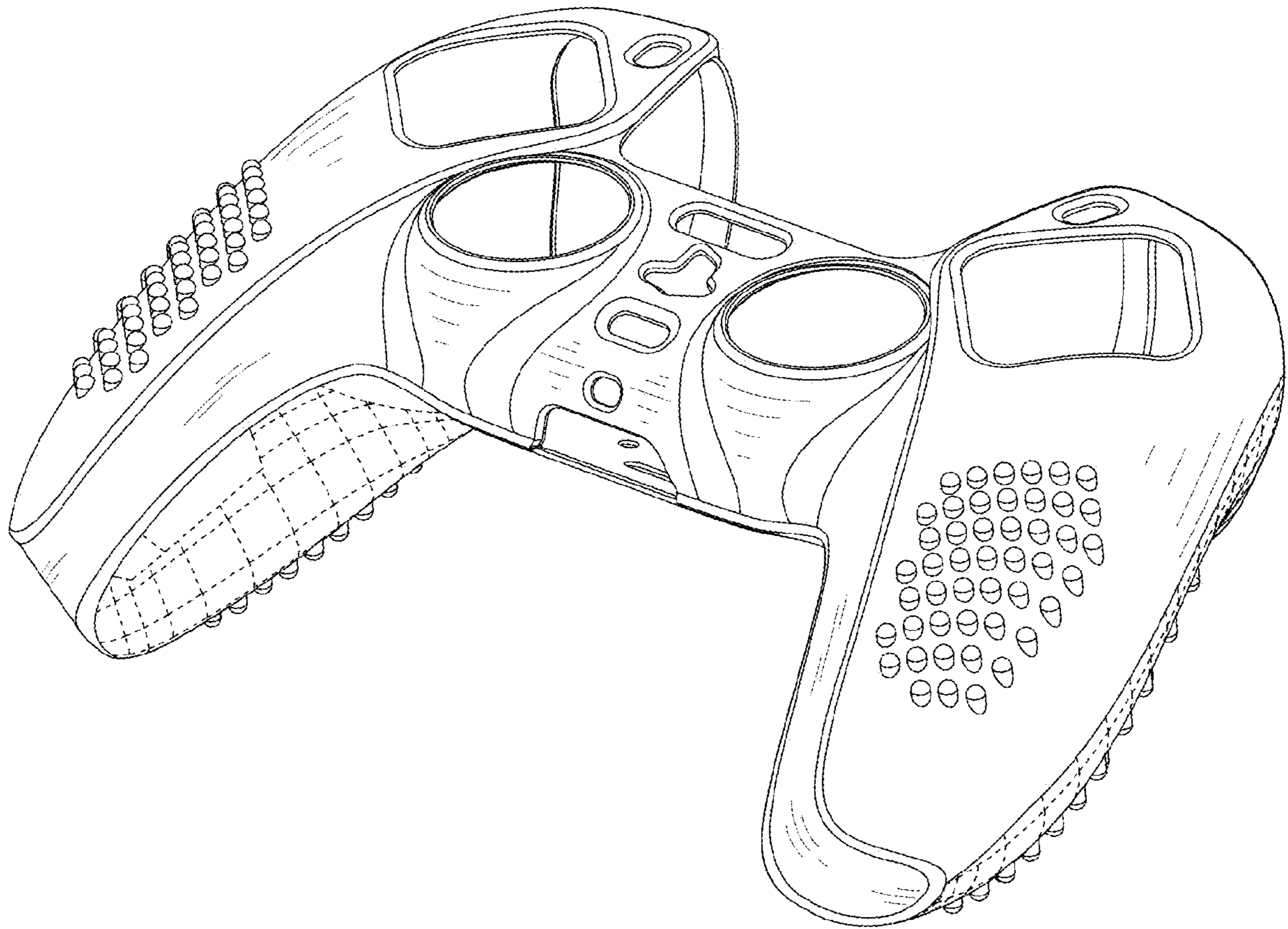


FIG. 1

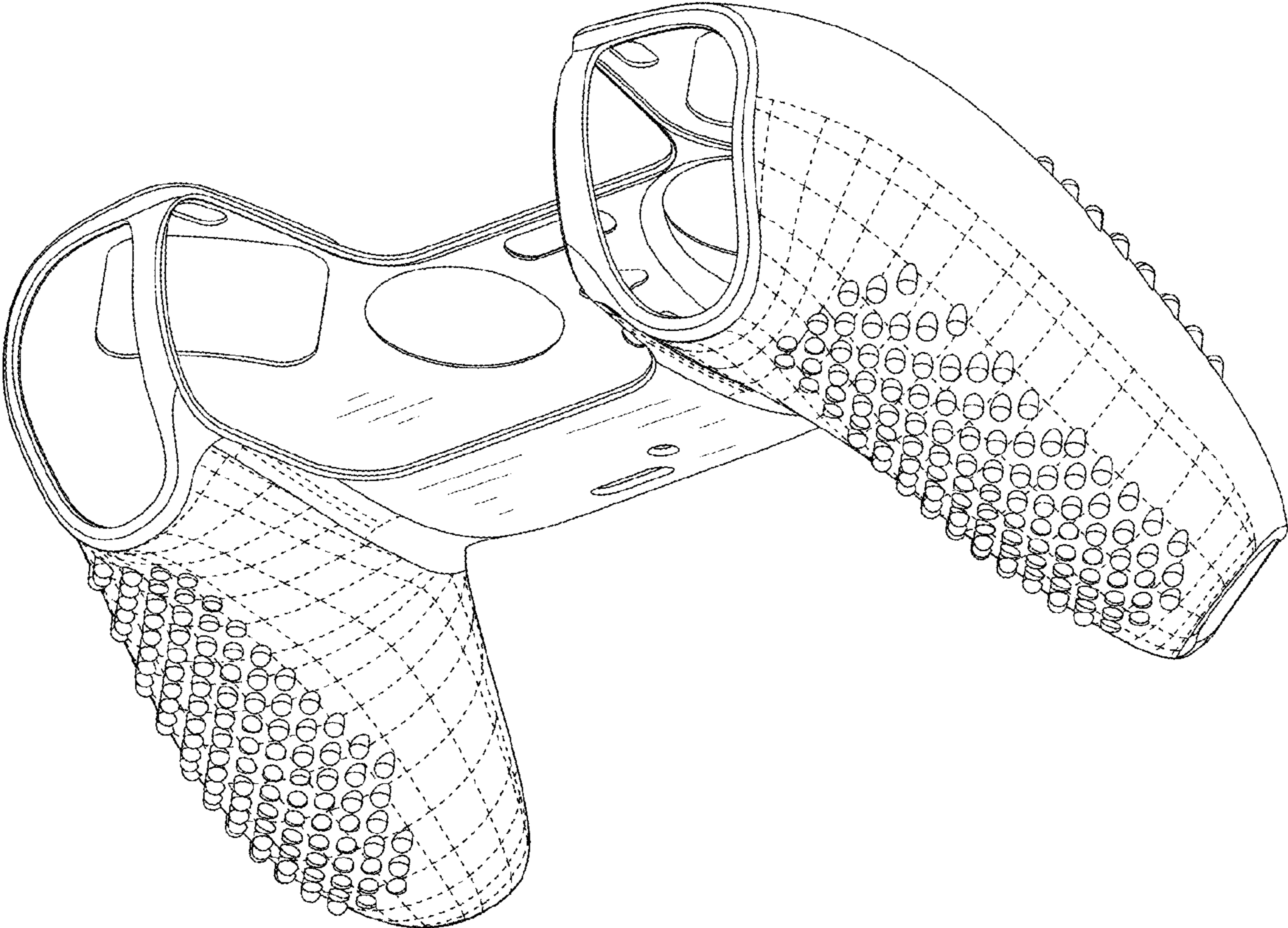


FIG. 2

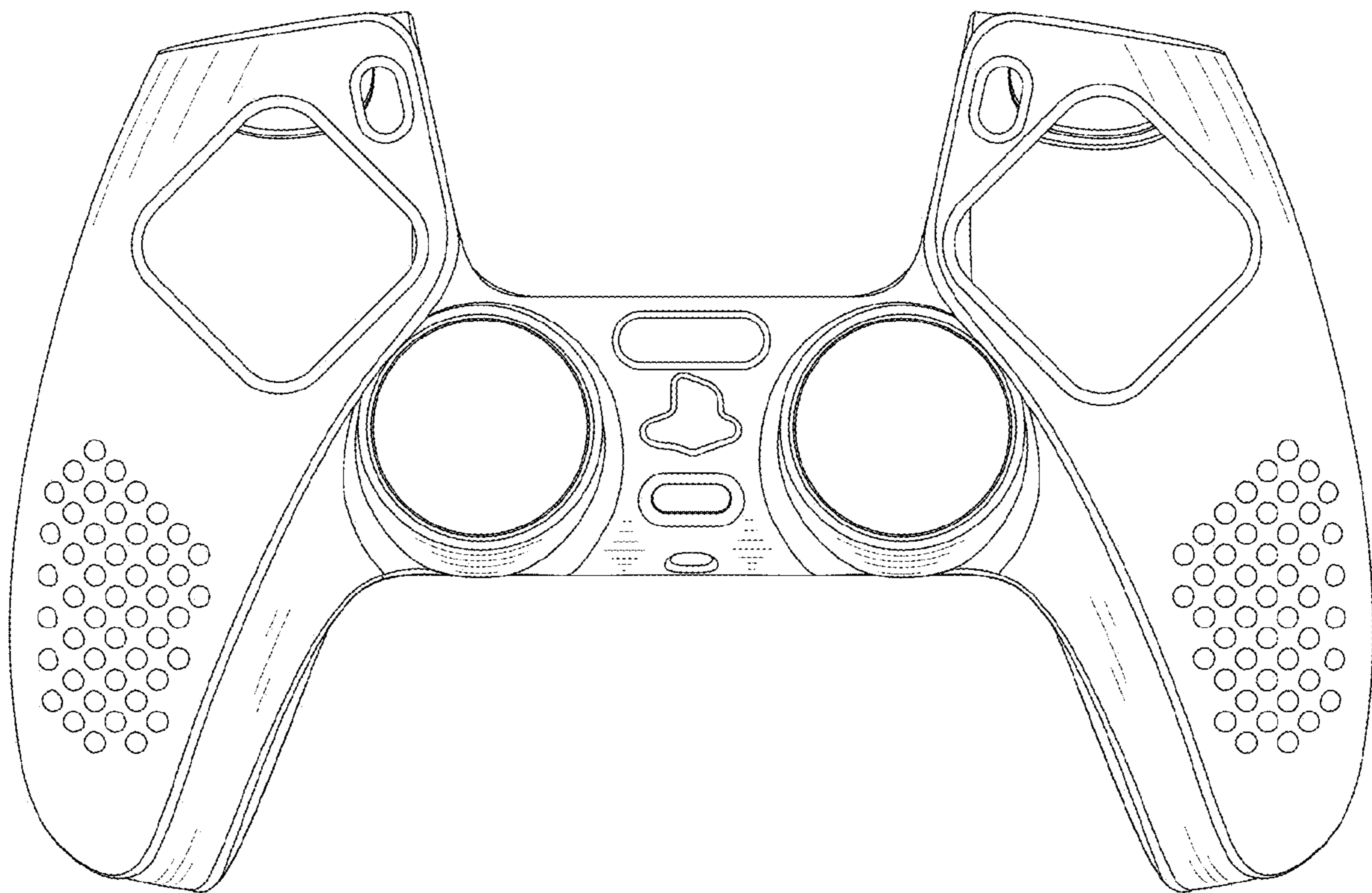


FIG. 3

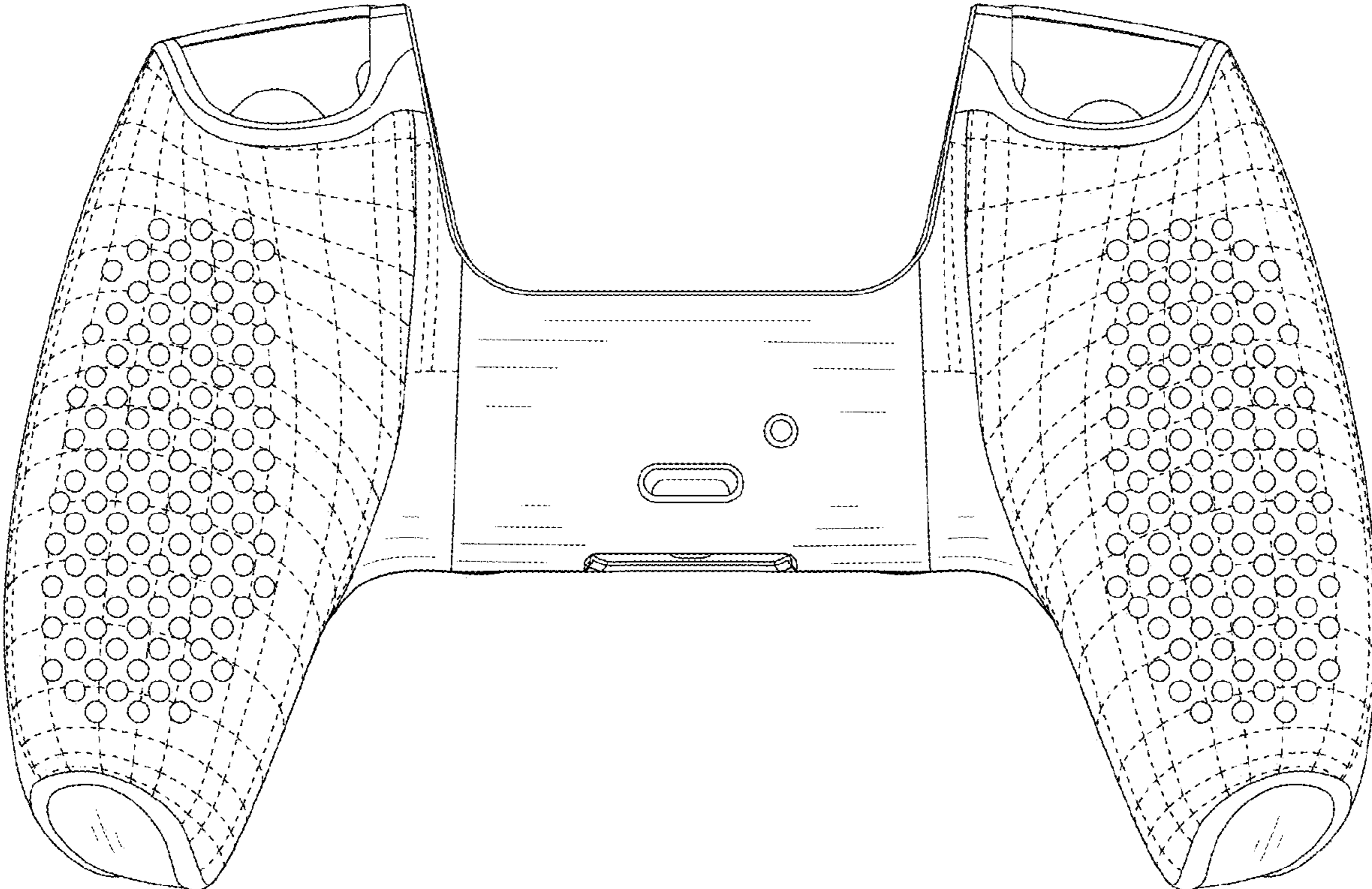


FIG. 4

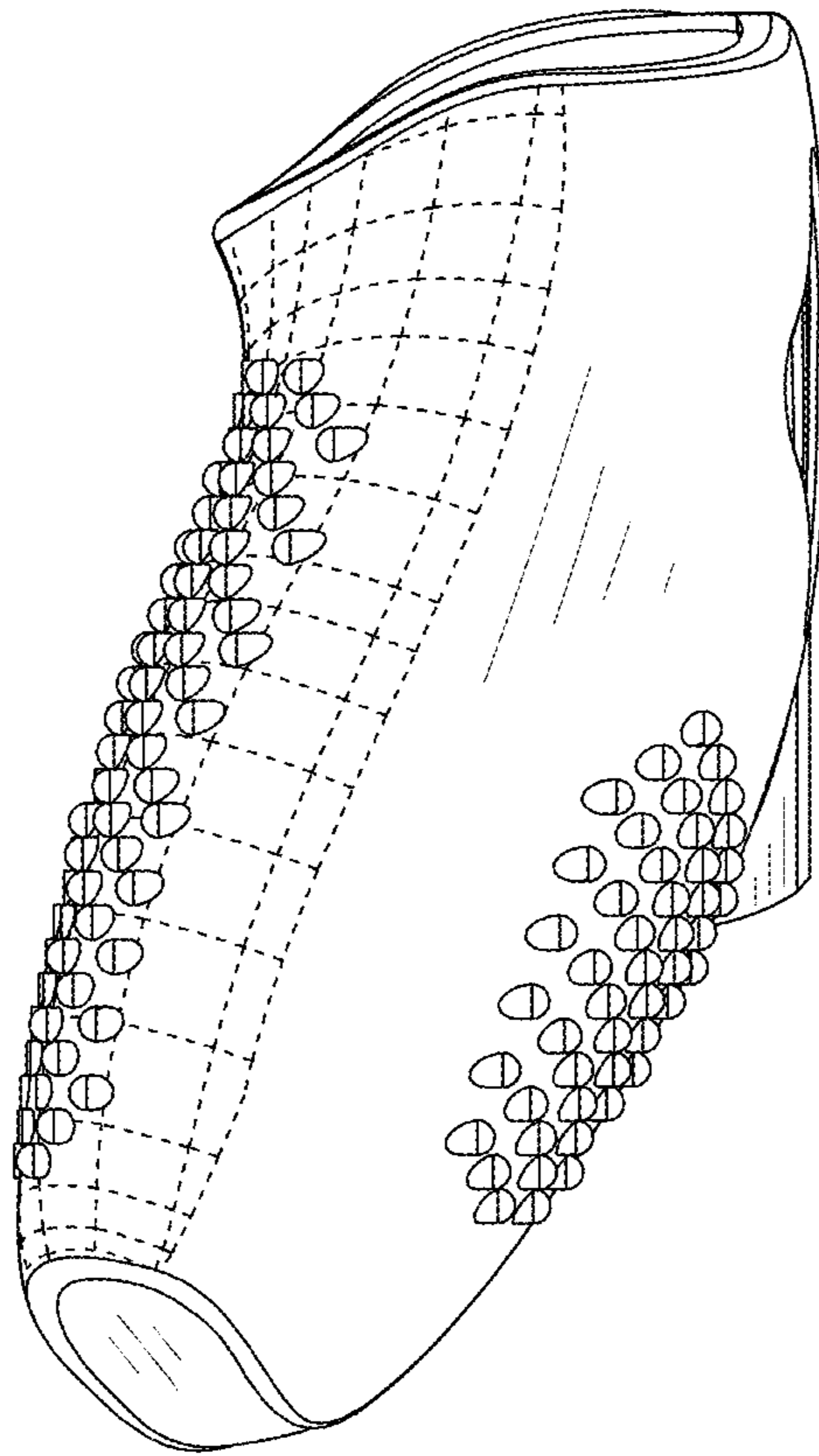


FIG. 5

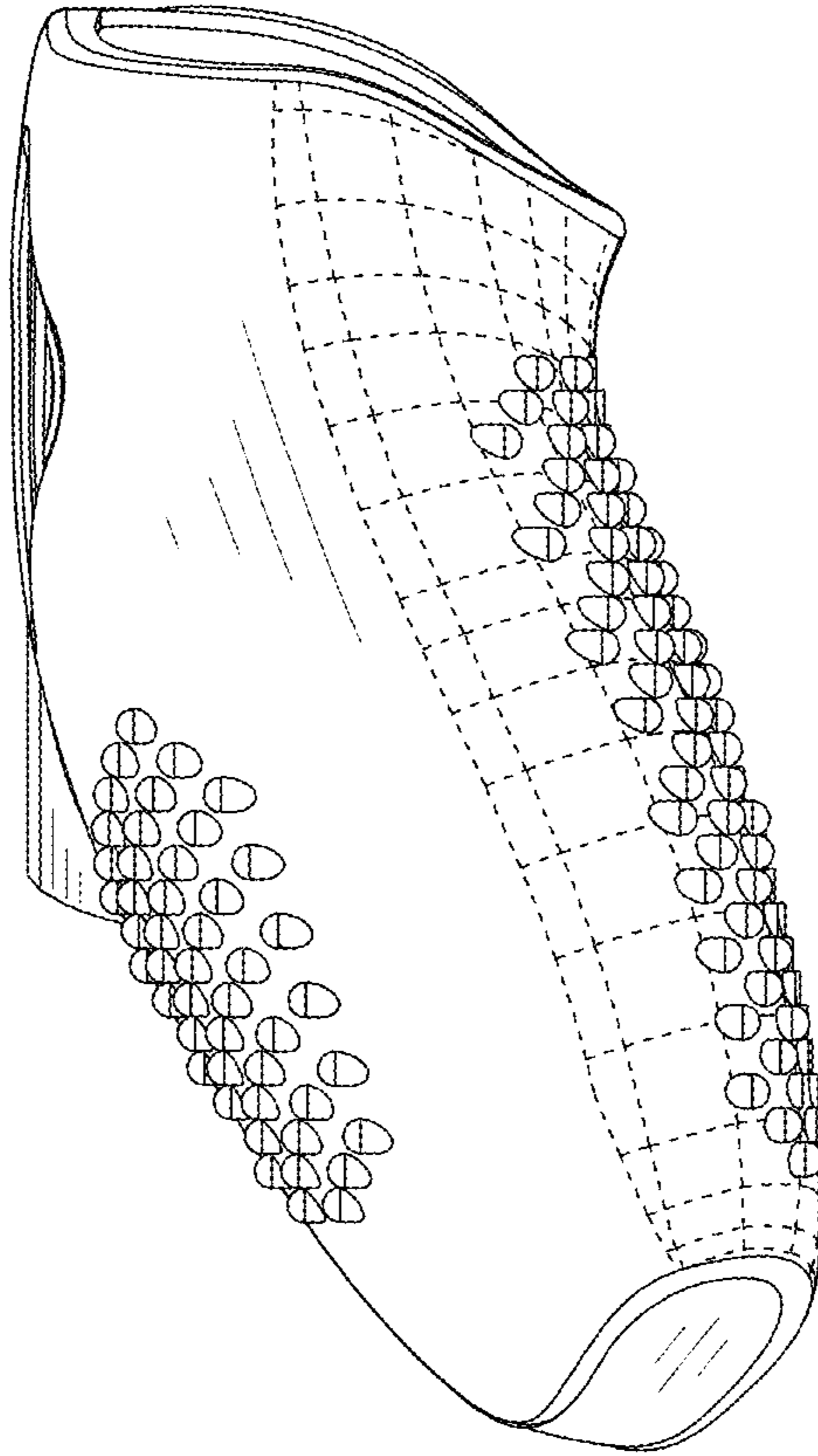


FIG. 6

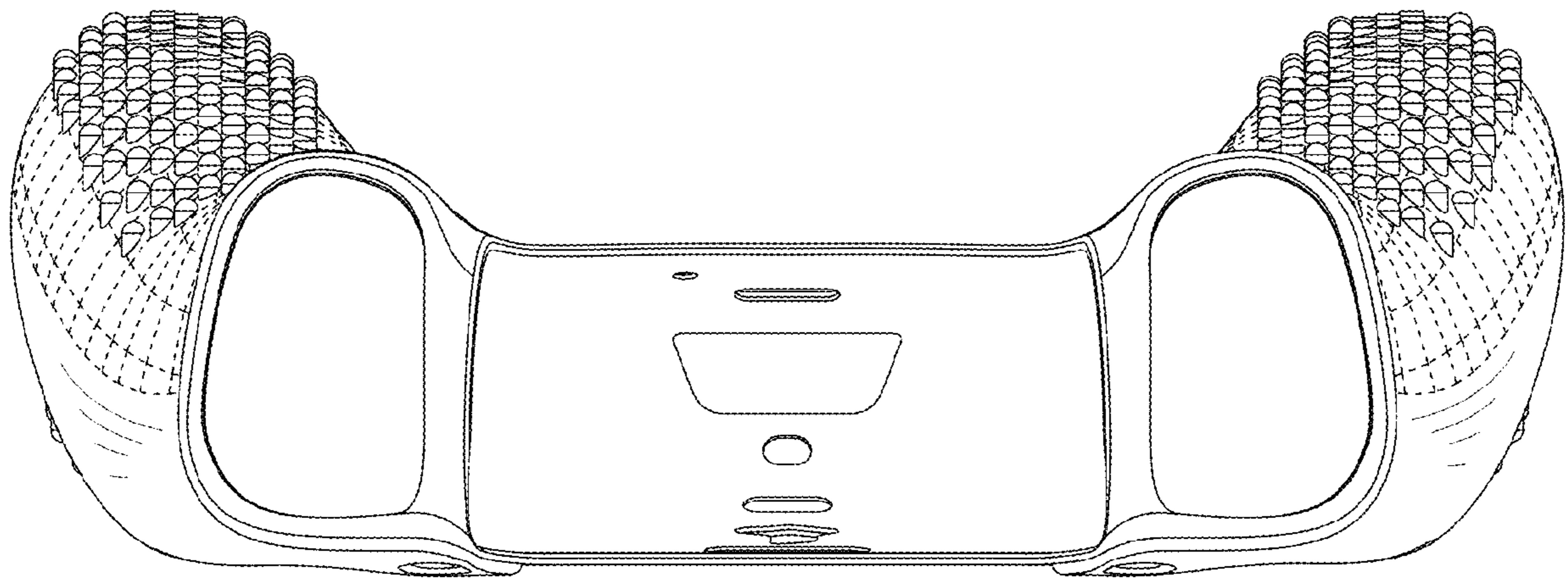


FIG. 7

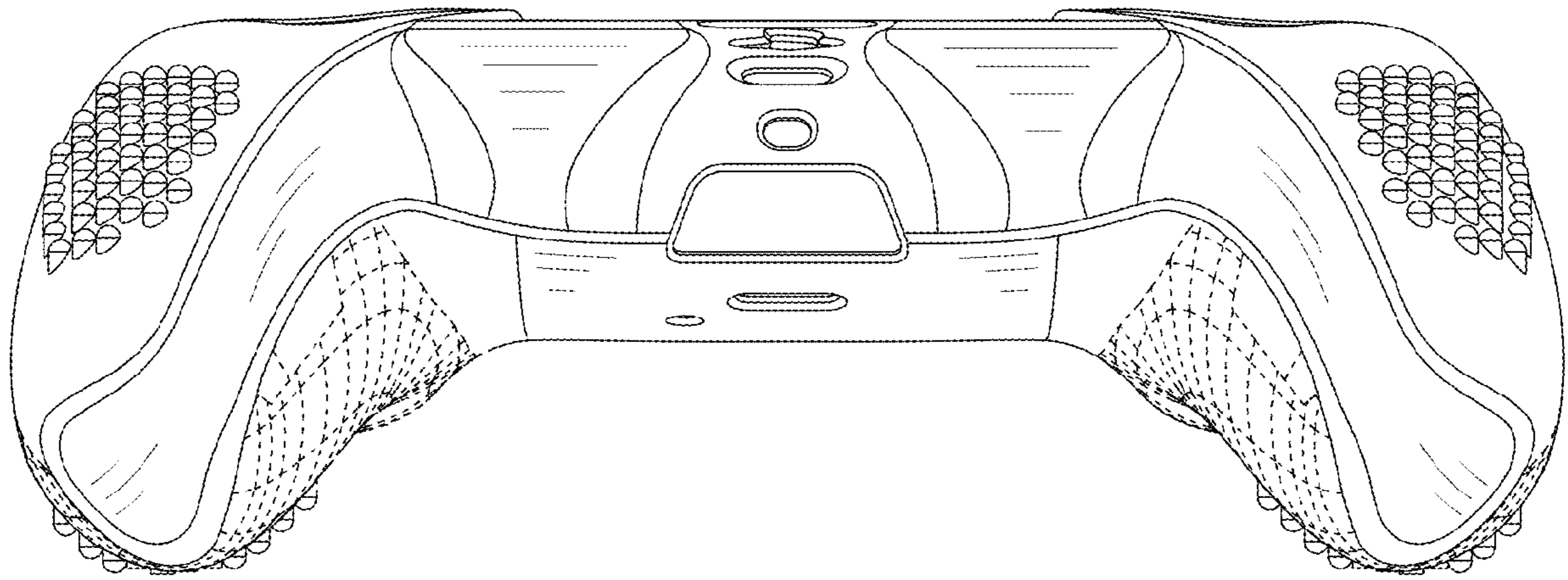


FIG. 8