



US00D936146S

(12) **United States Design Patent** (10) **Patent No.:** **US D936,146 S**  
**Hsu et al.** (45) **Date of Patent:** **\*\* Nov. 16, 2021**

(54) **GAME CONTROLLER**

(71) Applicant: **Microsoft Corporation**, Redmond, WA (US)

(72) Inventors: **Elliott Hsu**, Seattle, WA (US); **Tsitsi Kolawole**, Lynnwood, WA (US); **Joshua P. Weiher**, Seattle, WA (US); **Jonathan Shea Robinson**, Seattle, WA (US); **Aaron Schmitz**, Seattle, WA (US); **Dustin Tiffany**, Woodinville, WA (US); **Gabriel Michael Rask Gassoway**, Issaquah, WA (US)

(73) Assignee: **Microsoft Corporation**, Redmond, WA (US)

(\*\*) Term: **15 Years**

(21) Appl. No.: **29/686,517**

(22) Filed: **Apr. 4, 2019**

(51) **LOC (13) Cl.** ..... **21-01**

(52) **U.S. Cl.**  
USPC ..... **D21/333**

(58) **Field of Classification Search**  
USPC ..... D21/324-329, 330, 331, 333, 341, 342, D21/349, 386; 473/422, 423, 429, 430, 473/507, 508, 514; 273/320, 332; D14/137, 138, 160, 168, 174, 177, 190, D14/217, 218, 250, 299, 322, 341, 345, D14/346, 353, 354, 356, 387, 388, 389, D14/399-401, 412-416, 421, 432, 440, D14/443, 449, 450, 454, 463, 471, 474, D14/483, 493, 496, 511; D12/174, 177, D12/190, 218; D18/19  
CPC ..... A45C 13/00; A45C 13/001; A45C 13/002; A63F 13/10; A63F 13/98; A63F 13/24; A63F 9/0291; A63F 13/06; A63F 13/02; A63F 9/00; A63F 9/24; A63F 11/00; G06F 3/0338; G06F 3/014; G06F 3/0346; G06F

(Continued)

(56) **References Cited**

U.S. PATENT DOCUMENTS

D410,643 S 6/1999 Tonino  
D453,932 S \* 2/2002 Han ..... D14/401  
(Continued)

FOREIGN PATENT DOCUMENTS

JP D1492113 S 2/2014  
JP HH26063947 S 3/2015  
(Continued)

OTHER PUBLICATIONS

“Elite Series 2 Controller—Black” published Dec. 31, 2018[Online],[Retrieved Jul. 3, 2020] from internet: [https://www.amazon.com/Elite-2-Controller-Black-Xbox-One/dp/B07SFKTLZM/ref=sr\\_1\\_2?dchild=1&keywords=Microsoft%2BElite%2BSeries%2B2%2BWireless%2BController&qid=1593826653&sr=8-2&th=1](https://www.amazon.com/Elite-2-Controller-Black-Xbox-One/dp/B07SFKTLZM/ref=sr_1_2?dchild=1&keywords=Microsoft%2BElite%2BSeries%2B2%2BWireless%2BController&qid=1593826653&sr=8-2&th=1).\*

(Continued)

*Primary Examiner* — Kevin K Rudzinski

*Assistant Examiner* — Mehri Bajoul

(74) *Attorney, Agent, or Firm* — Banner & Witcoff, Ltd.

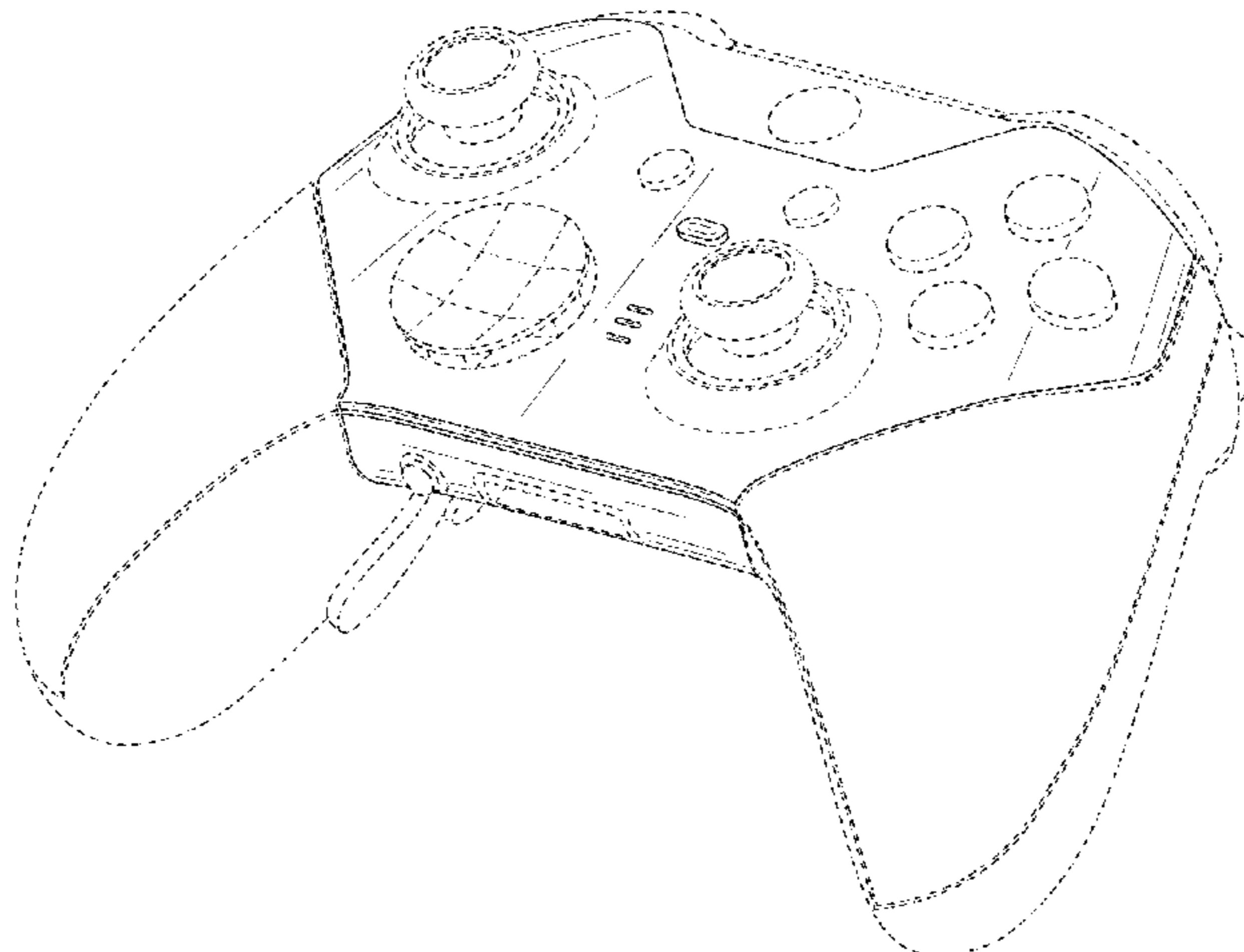
(57) **CLAIM**

The ornamental design for a game controller, as shown and described.

**DESCRIPTION**

FIG. 1 is a bottom front perspective view of a game controller showing our new design;  
FIG. 2 is a top front perspective view thereof;  
FIG. 3 is a front view thereof;  
FIG. 4 is a rear view thereof;  
FIG. 5 is a top view thereof;  
FIG. 6 is a bottom view thereof;  
FIG. 7 is a left side view thereof; and,  
FIG. 8 is a right side view thereof.

(Continued)



The broken lines in the drawings depict portions of the game controller that form no part of the claimed design.

**1 Claim, 8 Drawing Sheets**

**(58) Field of Classification Search**

CPC ..... 1/1666; G06F 17/00; G06F 19/00; G06T 7/246; H04N 21/00; H04N 7/14; C09J 7/38

See application file for complete search history.

**(56) References Cited**

U.S. PATENT DOCUMENTS

6,998,548	B2	2/2006	Huang	
7,063,321	B2	6/2006	Hussaini et al.	
D545,317	S *	6/2007	Wang	D14/401
D570,854	S	6/2008	Harris	
7,762,553	B2	7/2010	Harris	
D640,697	S	6/2011	Lovoi et al.	
D685,434	S	7/2013	Ali et al.	
D707,758	S *	6/2014	Norman	D21/566
D709,499	S	7/2014	Morris et al.	
D715,865	S *	10/2014	Morris	D21/333
D736,762	S	8/2015	Lovoi et al.	
D736,860	S	8/2015	Lovoi et al.	
D760,840	S	7/2016	Chatterjee et al.	
D765,788	S	9/2016	Kujawski et al.	
D766,377	S	9/2016	Kujawski et al.	
D767,037	S *	9/2016	Chatterjee	D21/333
D768,786	S *	10/2016	Seflic	D21/333
D772,988	S	11/2016	Kujawski et al.	
D777,843	S *	1/2017	Kujawski	D21/333
D784,989	S	4/2017	Kujawski et al.	
D786,251	S	5/2017	Chatterjee et al.	
D788,853	S	6/2017	Chatterjee et al.	
D794,717	S	8/2017	Kujawski et al.	
D799,599	S *	10/2017	Kujawski	D21/333
D805,518	S *	12/2017	Goldman	D14/401
D806,078	S *	12/2017	Goldman	D14/401
D816,170	S	4/2018	Chatterjee et al.	
D816,773	S	5/2018	Chatterjee et al.	
D819,641	S *	6/2018	Tsuchiya	D14/401
10,201,747	B2	2/2019	Mistry	
D849,147	S *	5/2019	Strahle	D21/333
D863,447	S *	10/2019	Tsuchiya	D21/333

D867,458	S *	11/2019	Strahle	D21/333
D867,460	S *	11/2019	Yan	D21/333
D872,184	S *	1/2020	Chatterjee	D21/333
D882,691	S *	4/2020	Tsuchiya	D21/333
D882,692	S *	4/2020	Tsuchiya	D21/333
D885,387	S *	5/2020	Hu	D14/401
2018/0207523	A1 *	7/2018	Lyden	A63F 13/214

FOREIGN PATENT DOCUMENTS

JP	D1549312	S	4/2016
JP	D1551962	S	5/2016
JP	HH28514114	S	10/2016
JP	HH28206311	S	11/2016
JP	D1581313	S	6/2017
JP	D1588705	S	9/2017
JP	D1588706	S	9/2017
JP	D1592031	S	11/2017
JP	D1642996	S	9/2019

OTHER PUBLICATIONS

Notice of Allowance Issued in Japanese Patent Application No. 2019-022336, dated Mar. 31, 2020, 5 Pages.

Notice of Allowance Issued in Japanese Patent Application No. 2019-022337, dated Mar. 31, 2020, 6 Pages.

Risley, James, "Review: Microsoft's Vastly Superior Xbox Elite Controller Might just be Worth the Crazy Price", Retrieved From: <https://www.geekwire.com/2015/review-microsofts-vastly-superior-xbox-elite-controller-might-just-be-worth-the-crazy-price/>, Oct. 22, 2015, 5 Pages.

Warren, Tom, "New Xbox Elite Controller Revealed in Leaked Images", Retrieved From: <https://www.theverge.com/2018/1/16/16897402/microsoft-xbox-elite-controller-update-design-features-rumors>, Jan. 16, 2018, 3 Pages.

Warren, Tom, "Xbox Elite 2 Controller Review: Microsoft's Best Xbox Controller Just Got Better", Retrieved From: <https://www.theverge.com/2019/10/31/20926499/microsoft-xbox-elite-wireless-controller-series-2-review-price-specs-features>, Oct. 31, 2019, 11 Pages.

Wakeling, Richard, "E3 2019: New Xbox Elite Series 2 Controller Announced", Retrieved From: <https://www.gamespot.com/articles/e3-2019-new-xbox-elite-series-2-controller-announc/1100-6467552/>, Jun. 9, 2019, 3 Pages.

"Non Final Office Action Issued in U.S. Appl. No. 29/686,513", dated Aug. 20, 2020, 7 Pages.

\* cited by examiner

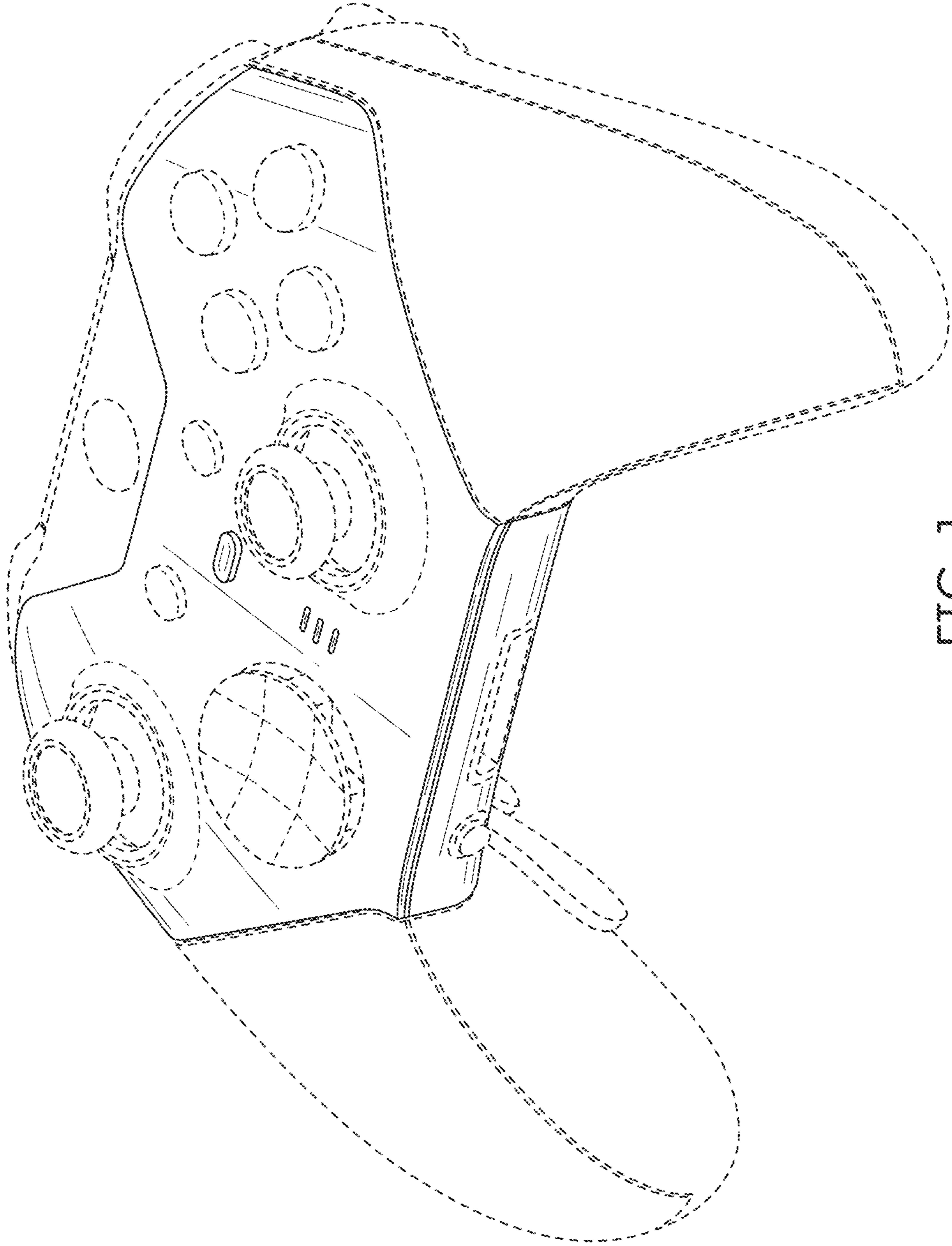


FIG. 1

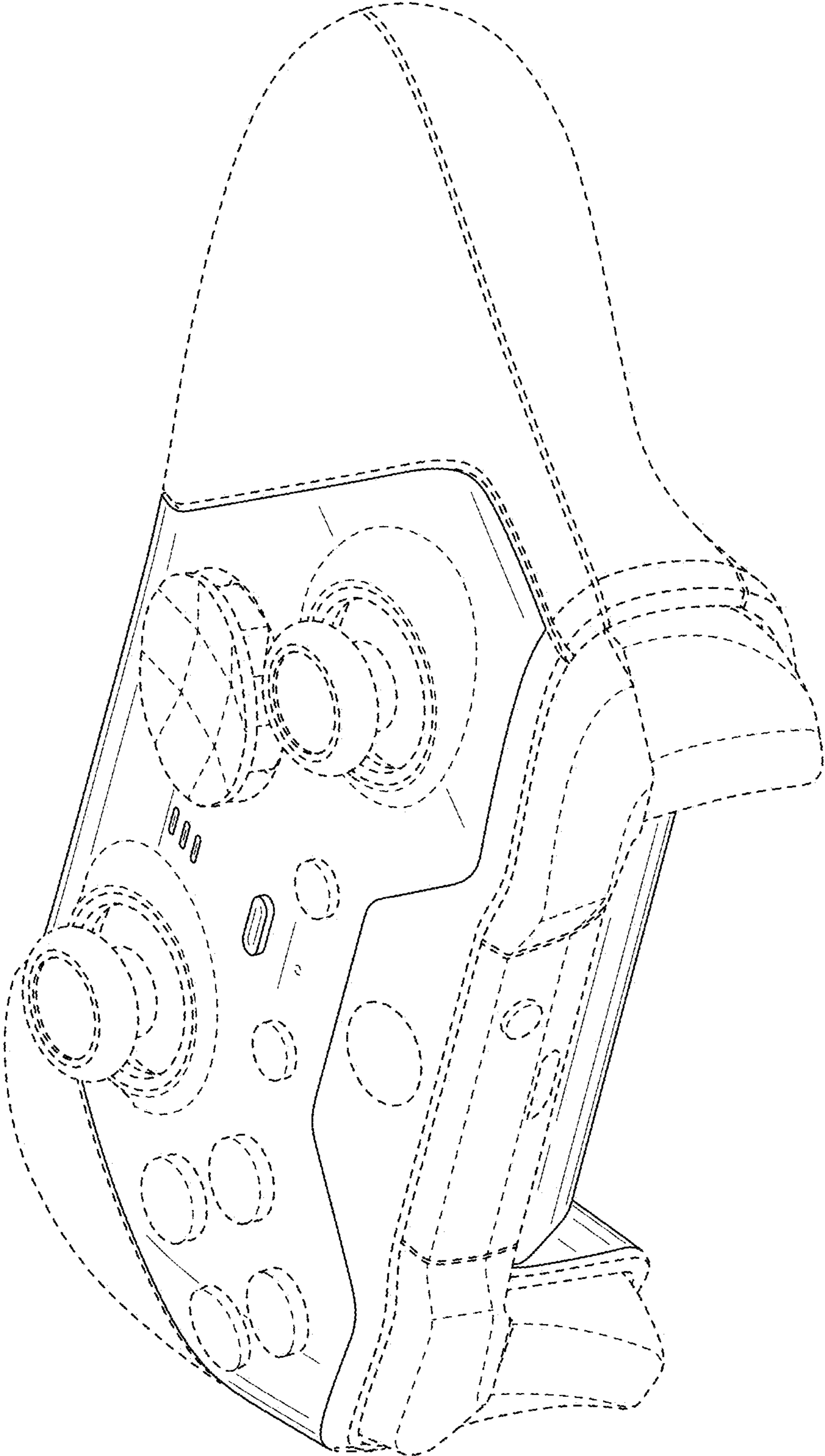


FIG. 2

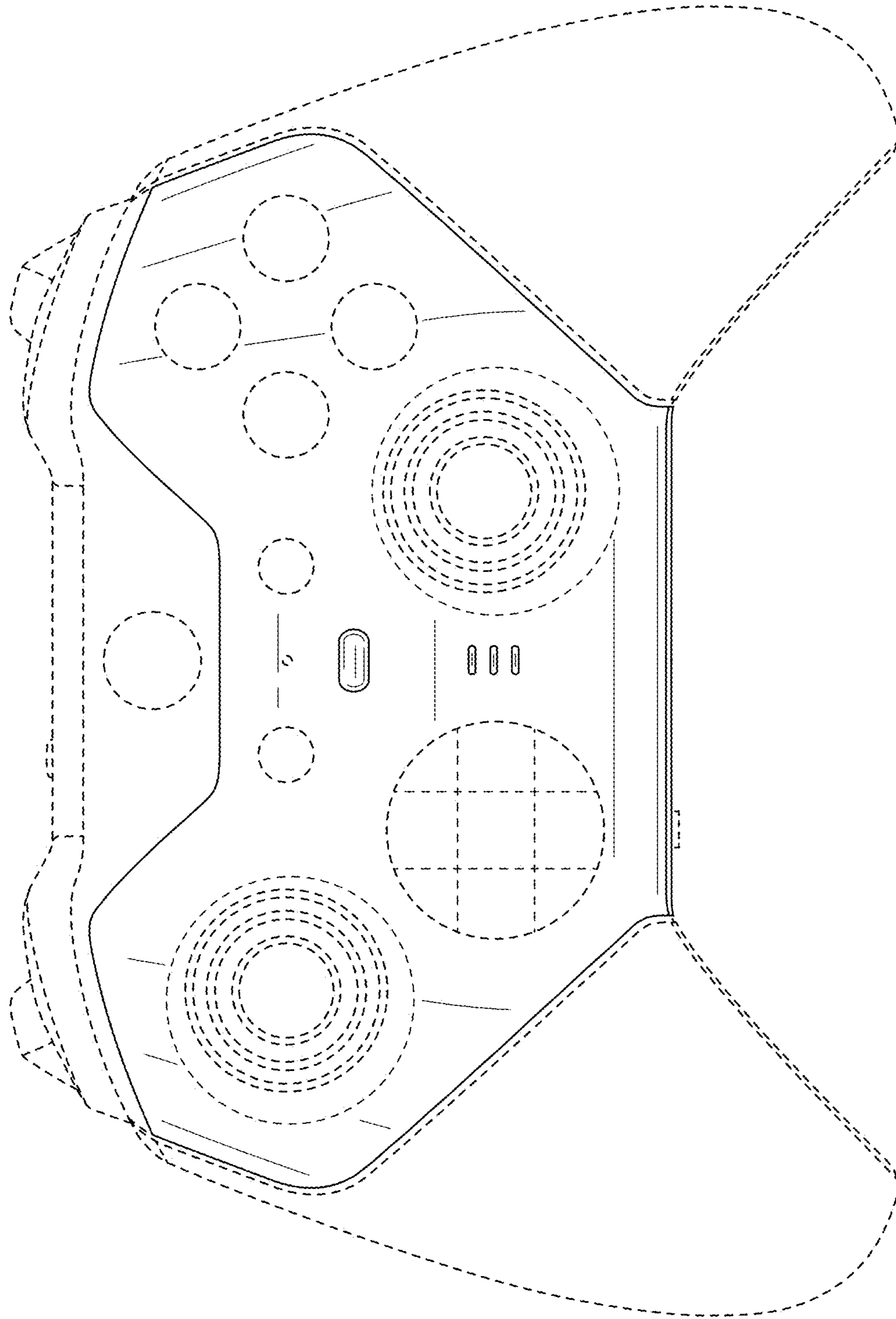


FIG. 3

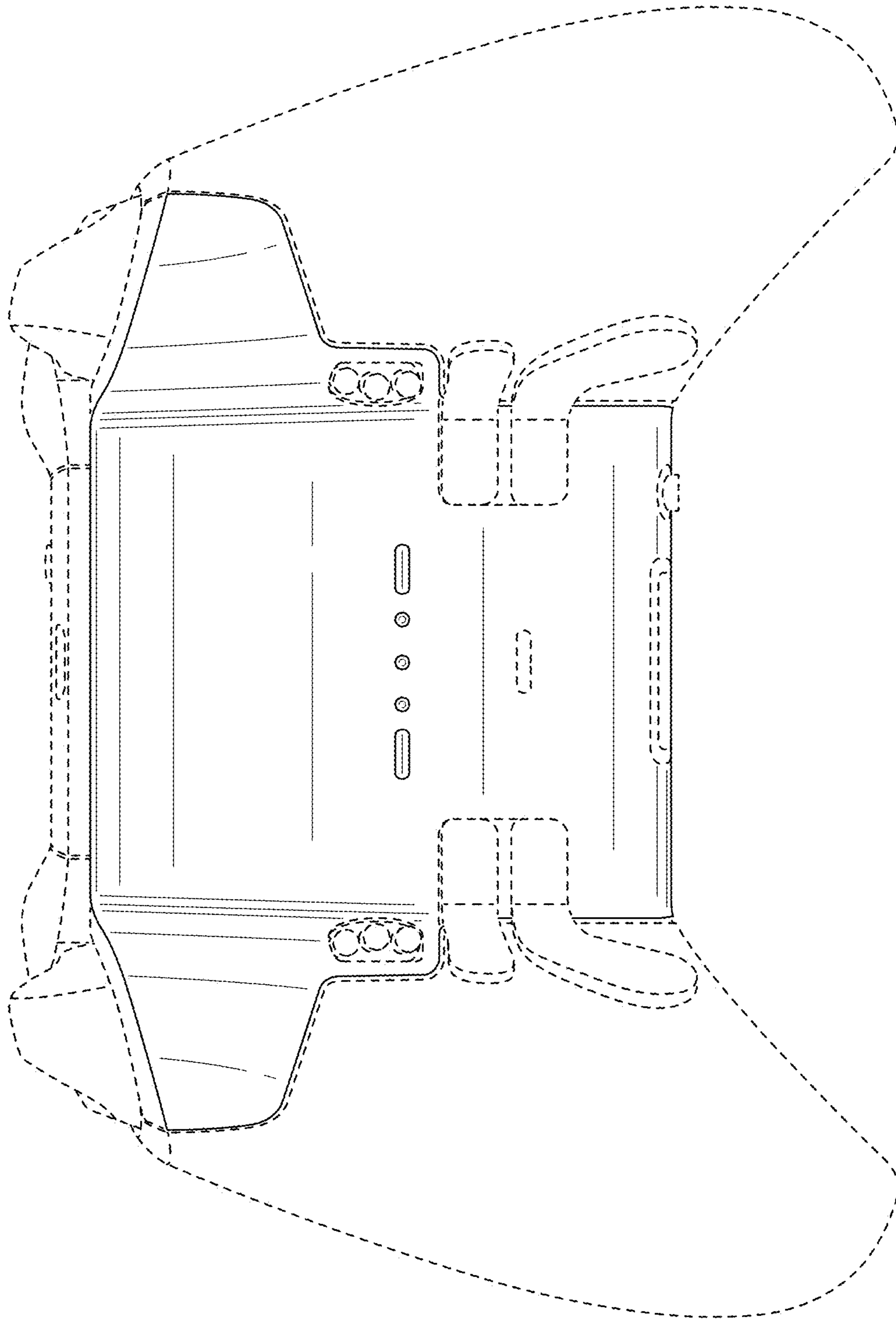


FIG. 4

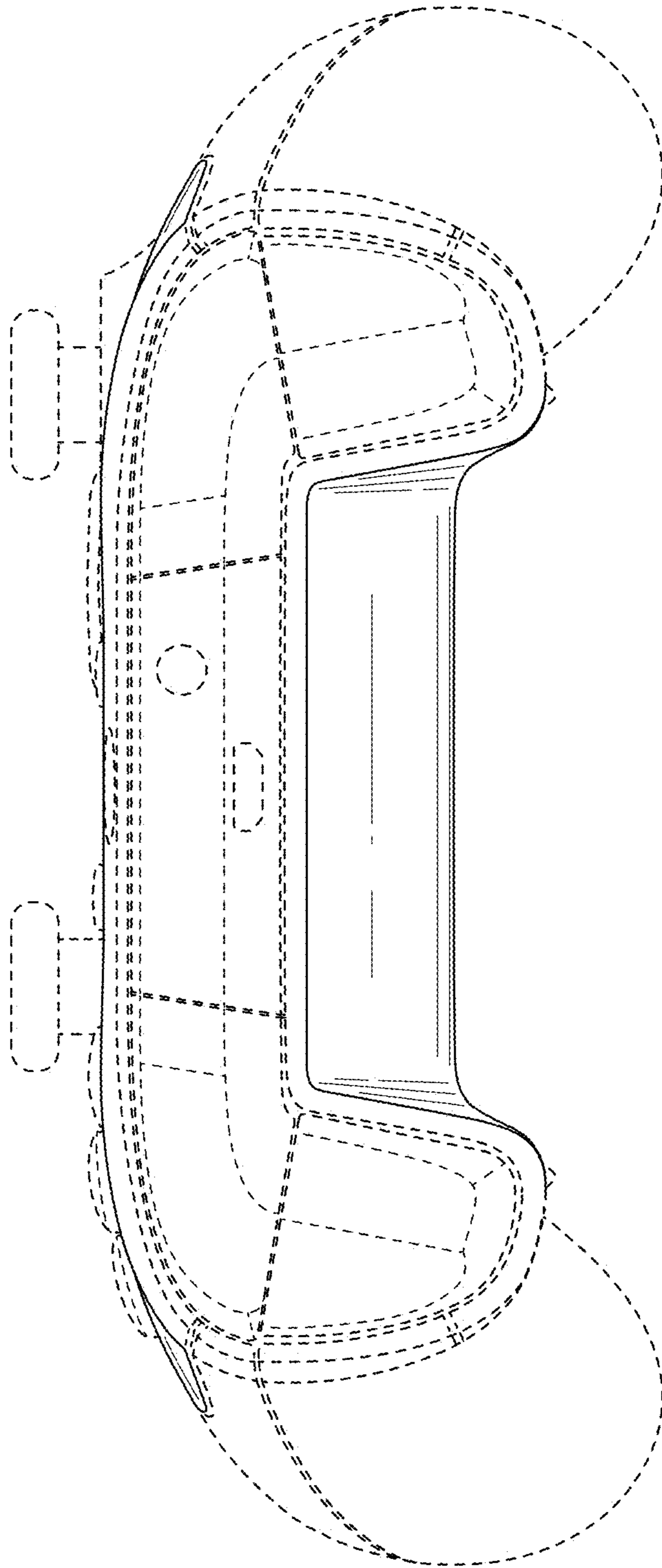


FIG. 5

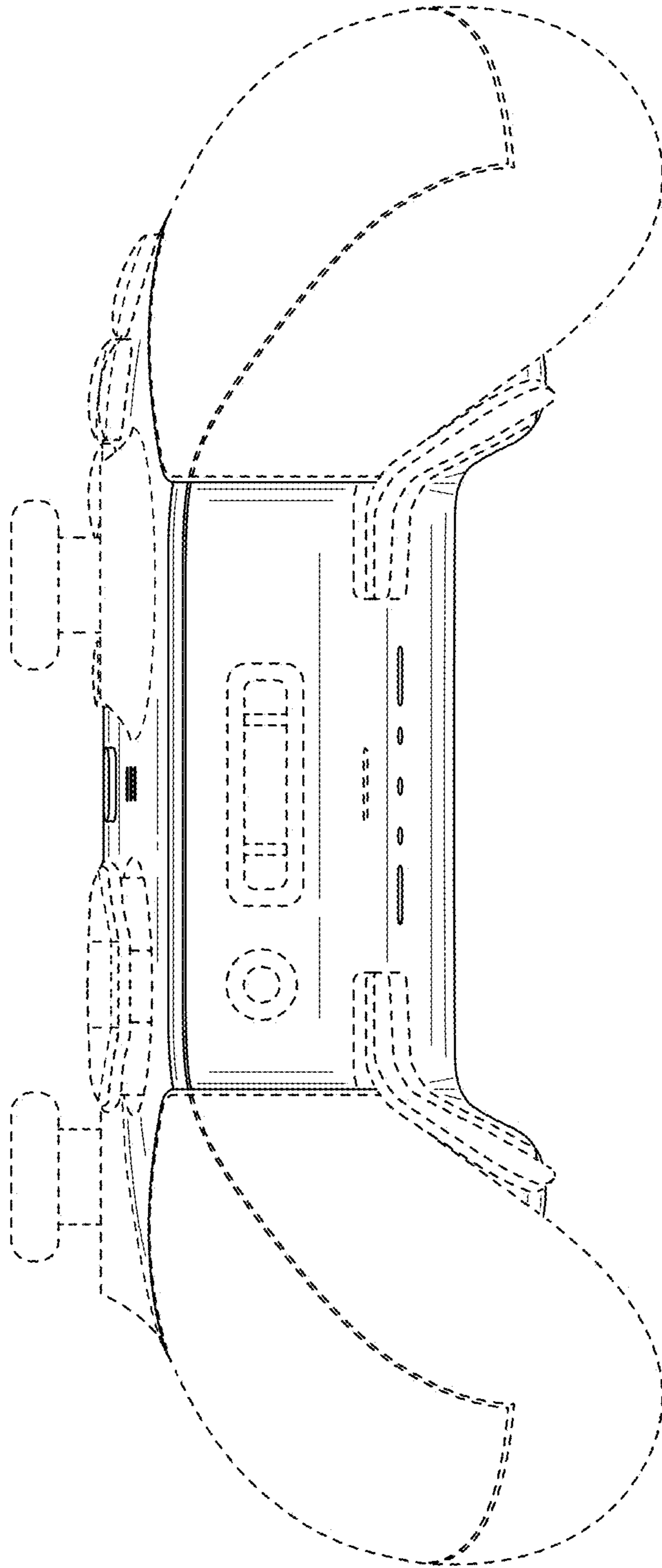


FIG. 6



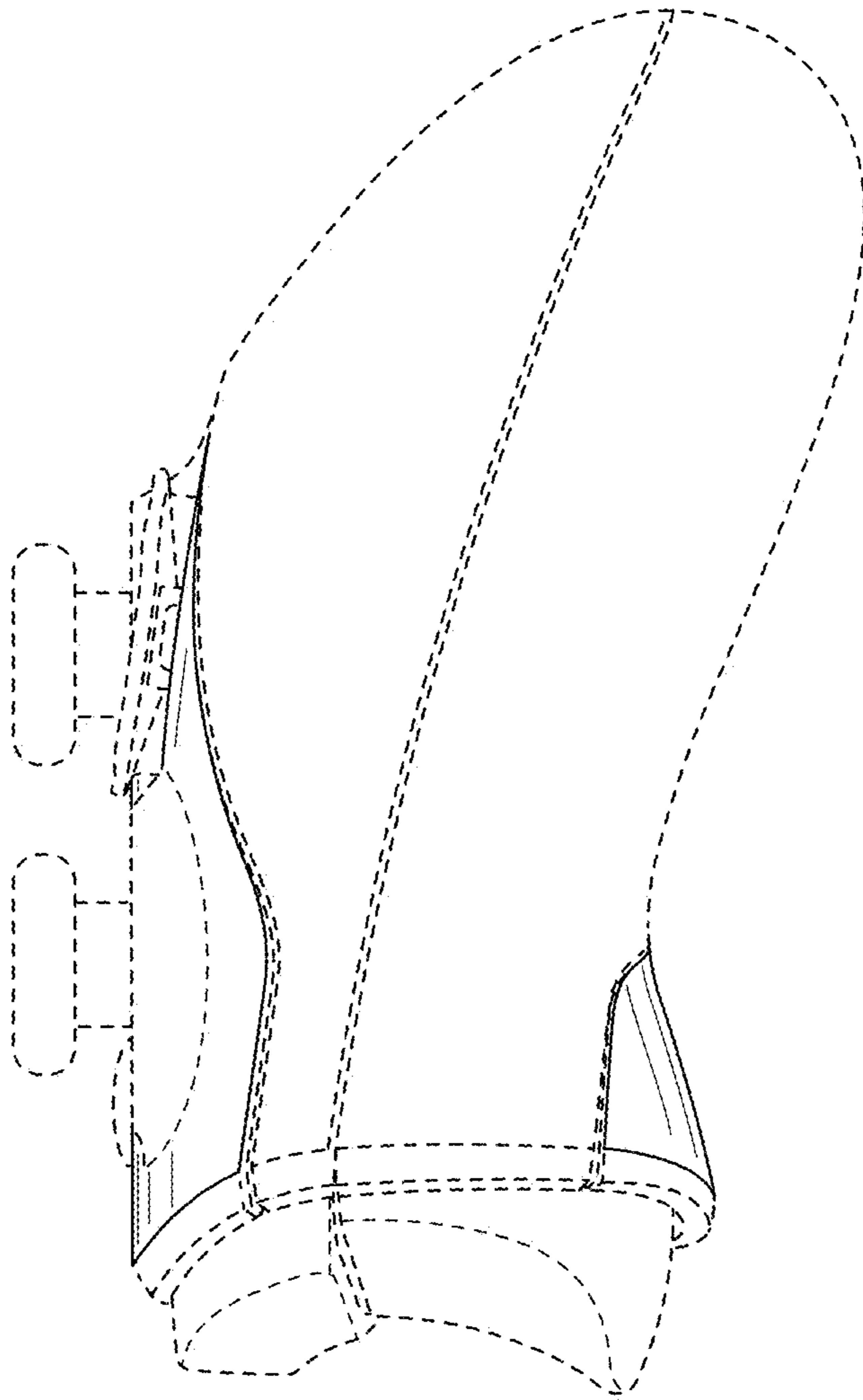


FIG. 7

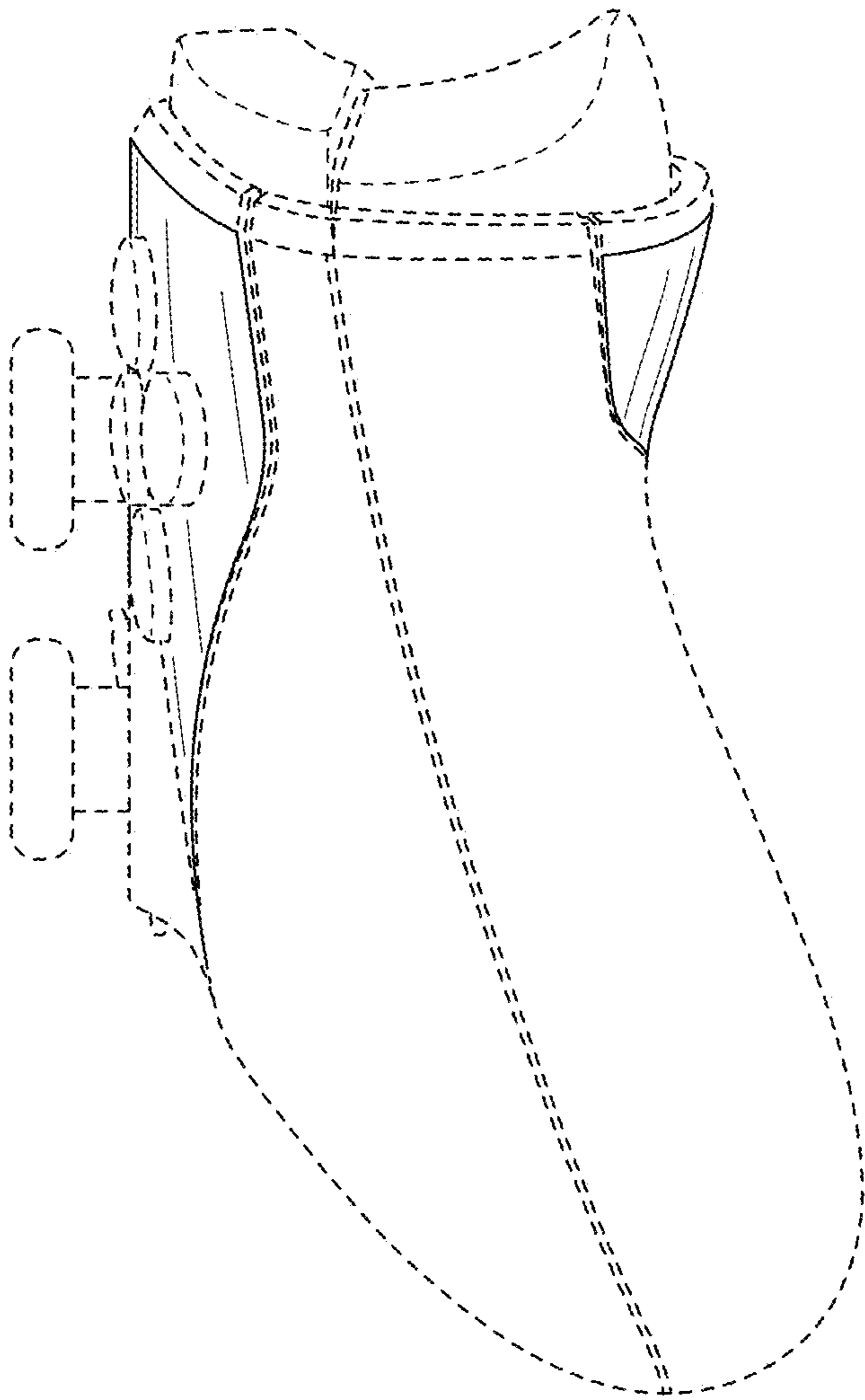


FIG. 8