



US00D936141S

(12) **United States Design Patent** (10) **Patent No.:** **US D936,141 S**  
**Ohara et al.** (45) **Date of Patent:** **\*\* Nov. 16, 2021**

(54) **NOZZLE FOR INK BOTTLE FOR REFILLING PRINTER CARTRIDGES** 15/0877; G03G 15/0898; G03G 15/50; G03G 15/5016; G03G 15/60; G03G 15/65

(71) Applicant: **CANON KABUSHIKI KAISHA**, Tokyo (JP) See application file for complete search history.

(72) Inventors: **Manabu Ohara**, Kanagawa-ken (JP); **Shoki Takiguchi**, Tokyo (JP); **Kenta Udagawa**, Tokyo (JP); **Hiroki Hayashi**, Kanagawa-ken (JP); **Noriyasu Nagai**, Tokyo (JP); **Hiroshi Koshikawa**, Kanagawa-ken (JP)

(73) Assignee: **Canon Kabushiki Kaisha**, Tokyo (JP)

(\*\*) Term: **15 Years**

(21) Appl. No.: **29/779,143**

(22) Filed: **Apr. 16, 2021**

**Related U.S. Application Data**

(62) Division of application No. 35/508,987, filed on Oct. 2, 2019 (U.S. filing date under 35 U.S.C. 384), and having an international filing date of Oct. 2, 2019, now Pat. No. Des. 925,647.

(30) **Foreign Application Priority Data**

Apr. 5, 2019 (JP) ..... 2019-007449

(51) **LOC (13) Cl.** ..... **18-03**

(52) **U.S. Cl.**  
USPC ..... **D18/56**

(58) **Field of Classification Search**  
USPC ..... D18/18, 40, 43, 56, 99; D9/443, 529, D9/552; D14/471  
CPC ..... G03G 15/0832; G03G 15/0834; G03G 15/0836; G03G 15/0837; G03G 15/0867; G03G 15/0868; G03G 15/0872; G03G

(56) **References Cited**

U.S. PATENT DOCUMENTS

D284,555 S *	7/1986	Schornagel .....	D9/453
D592,057 S *	5/2009	Guerin .....	D9/449
D693,682 S *	11/2013	Bahri .....	D9/453
D763,078 S *	8/2016	Roy .....	D9/447
D816,158 S	4/2018	Yoshii et al.	
D836,441 S *	12/2018	Huang .....	D9/453
D860,004 S *	9/2019	Aboabdo .....	D9/724
D865,521 S *	11/2019	Ishizawa .....	D9/453
D869,550 S *	12/2019	Yoshii .....	D18/56
2018/0318493 A1 *	11/2018	Dommine .....	B05B 1/14

\* cited by examiner

*Primary Examiner* — Khawaja Anwar

(74) *Attorney, Agent, or Firm* — Venable LLP

(57) **CLAIM**

The ornamental design for a nozzle for ink bottle for refilling printer cartridges, as shown and described.

**DESCRIPTION**

- FIG. 1: Front  
 FIG. 2: Back  
 FIG. 3: Top  
 FIG. 4: Bottom  
 FIG. 5: Left  
 FIG. 6: Right  
 FIG. 7: Perspective  
 FIG. 8: Perspective; and,  
 FIG. 9: Cross-sectional view of FIG. 3 along center line A-A.

**1 Claim, 9 Drawing Sheets**

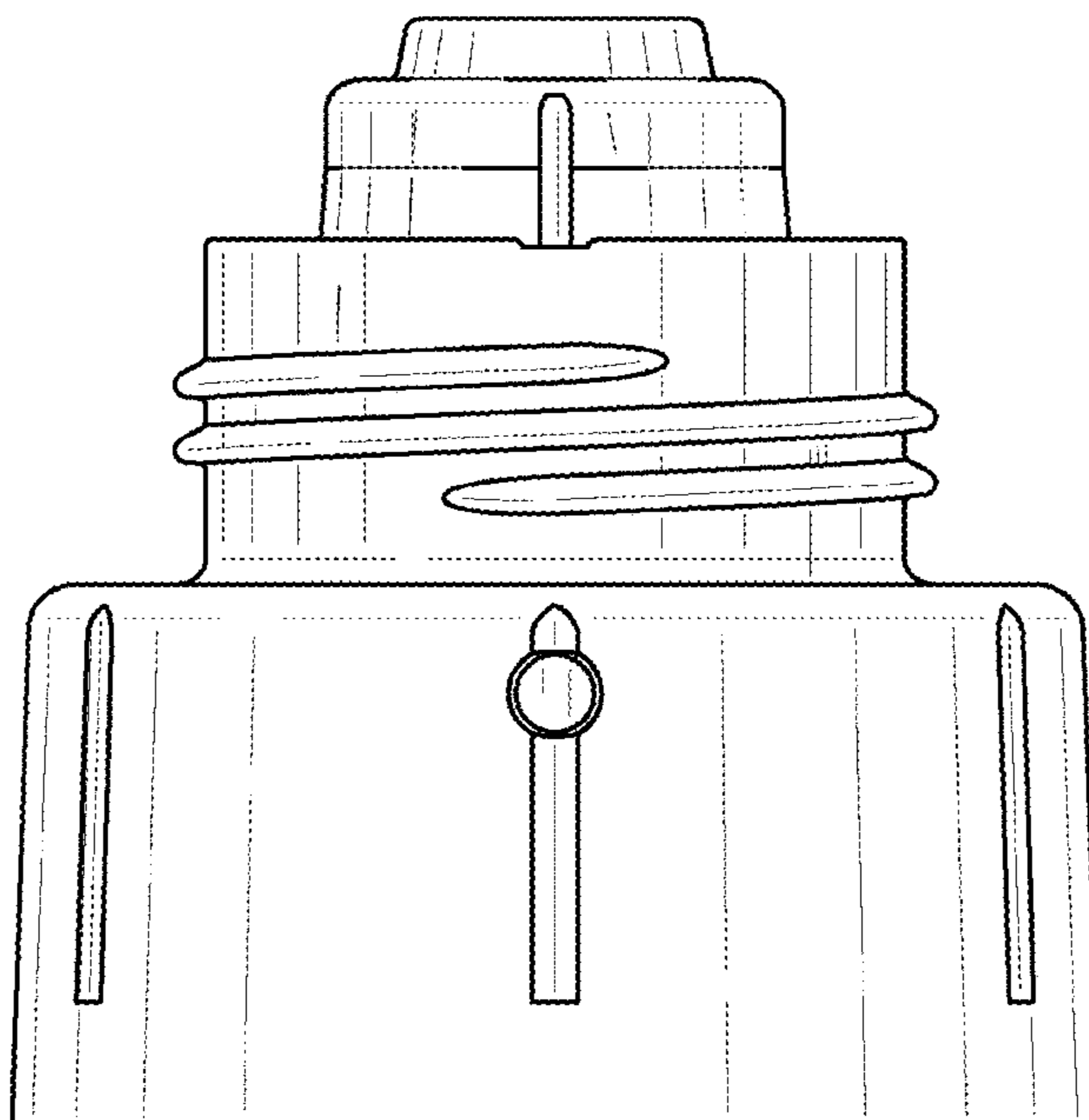


FIG. 1

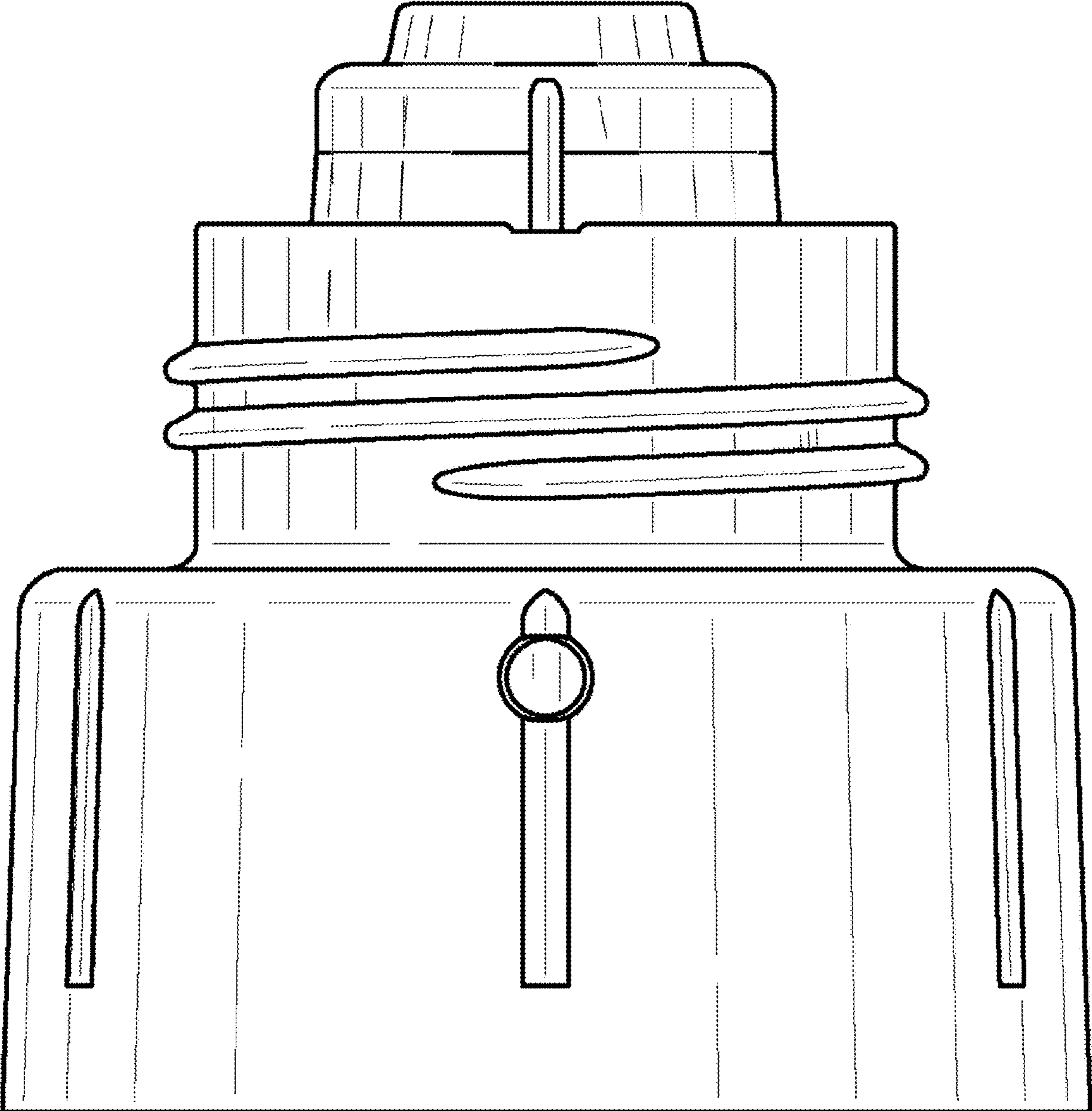


FIG. 2

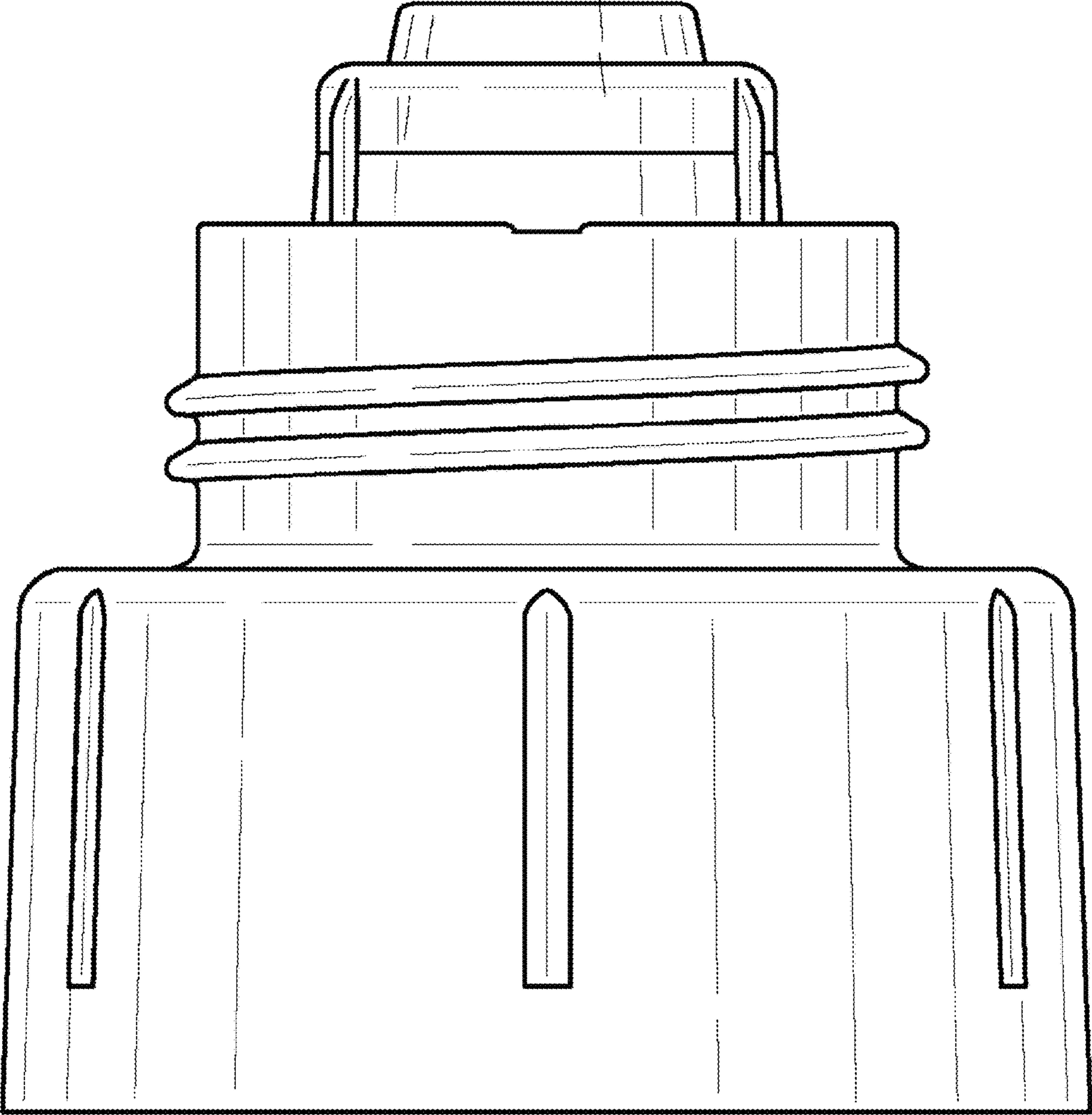


FIG. 3

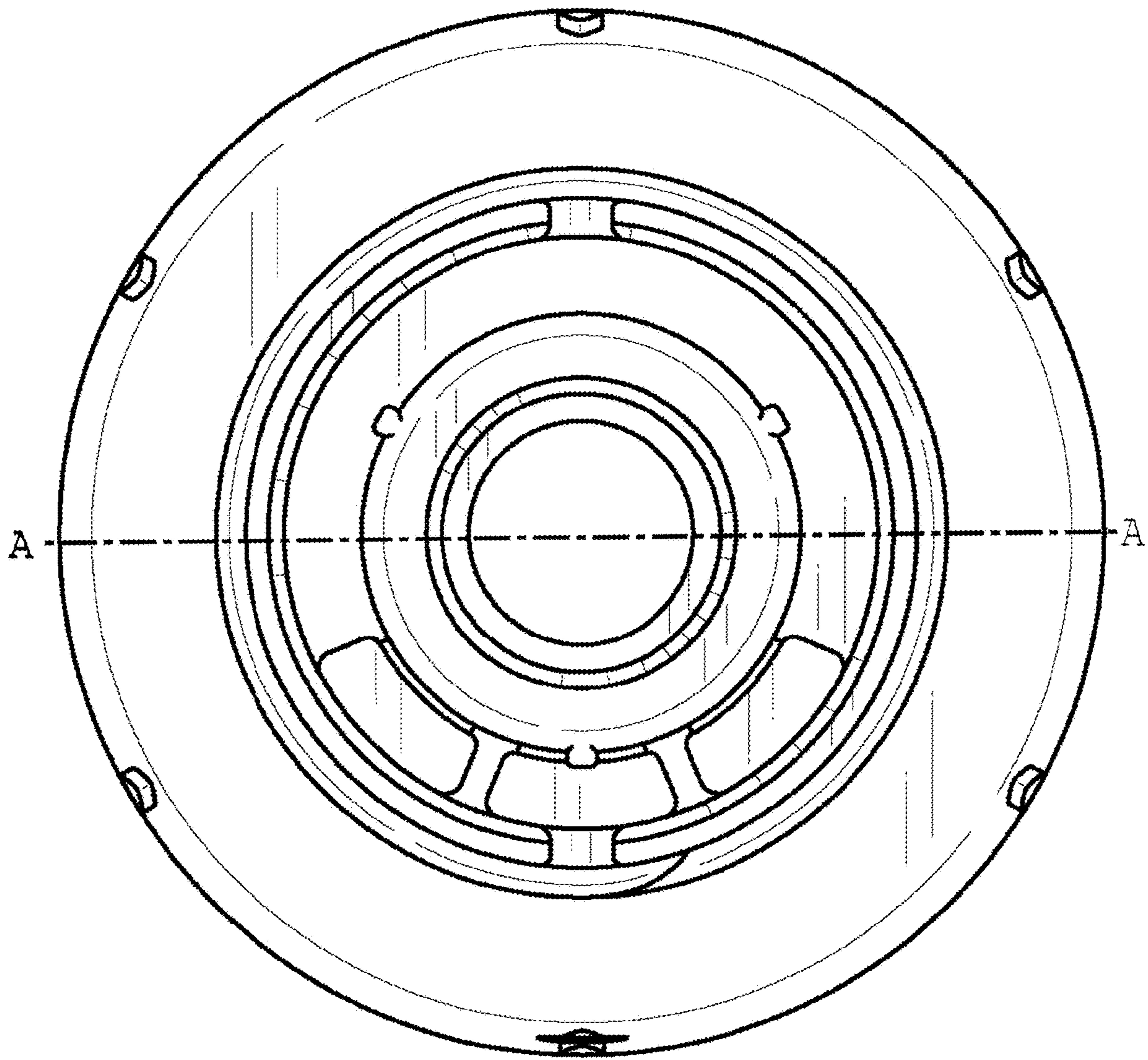


FIG. 4

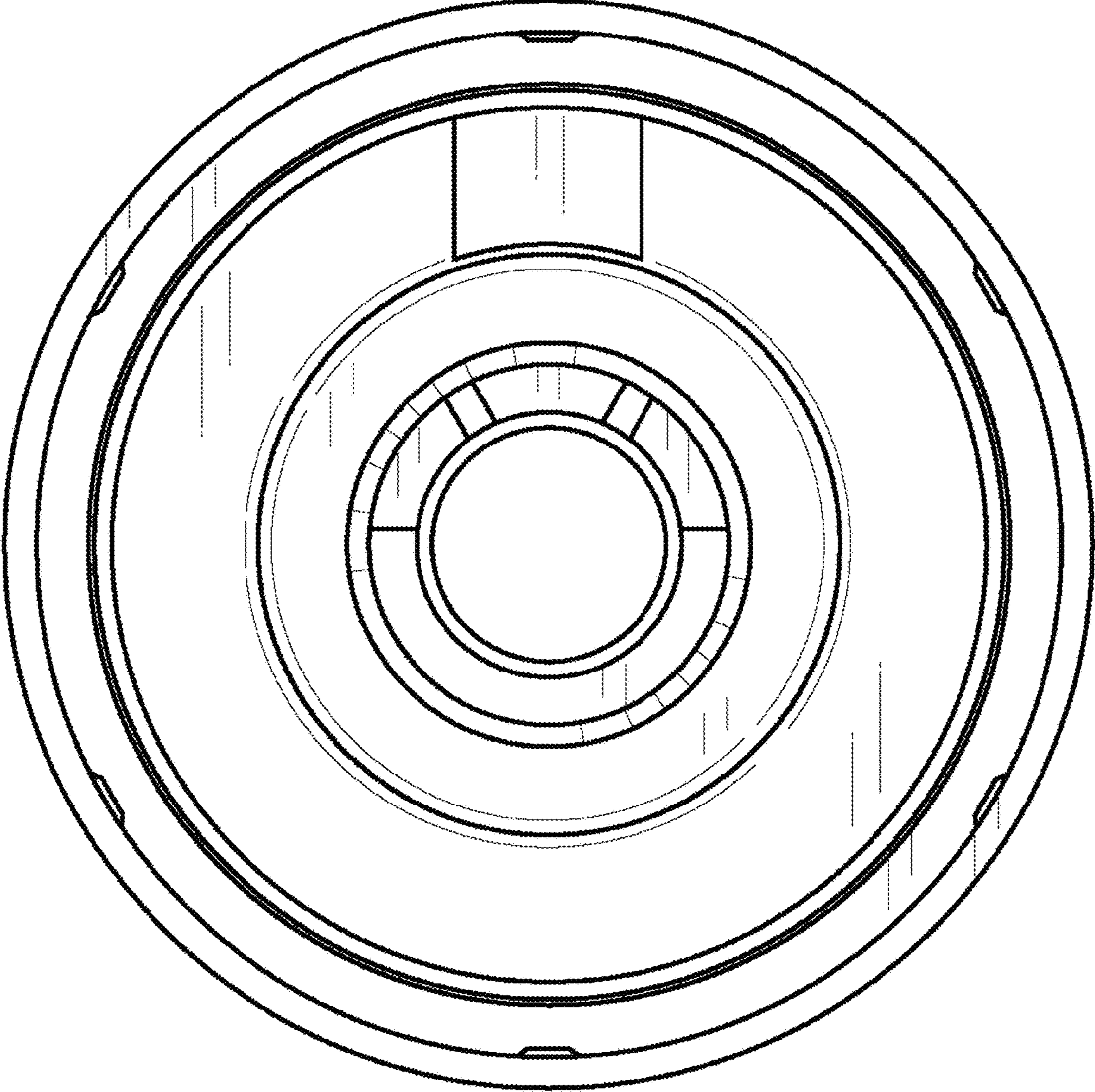


FIG. 5

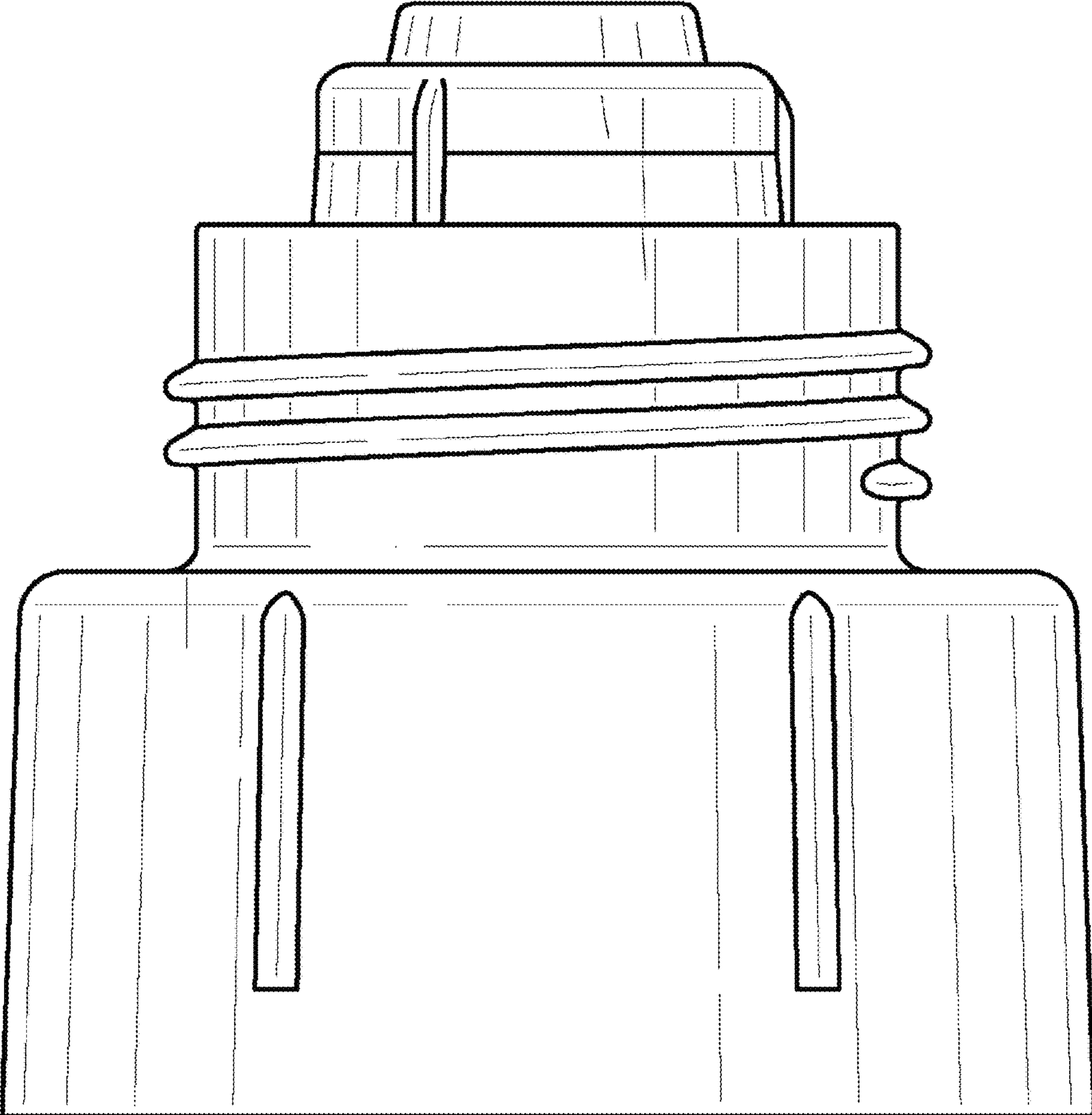


FIG. 6

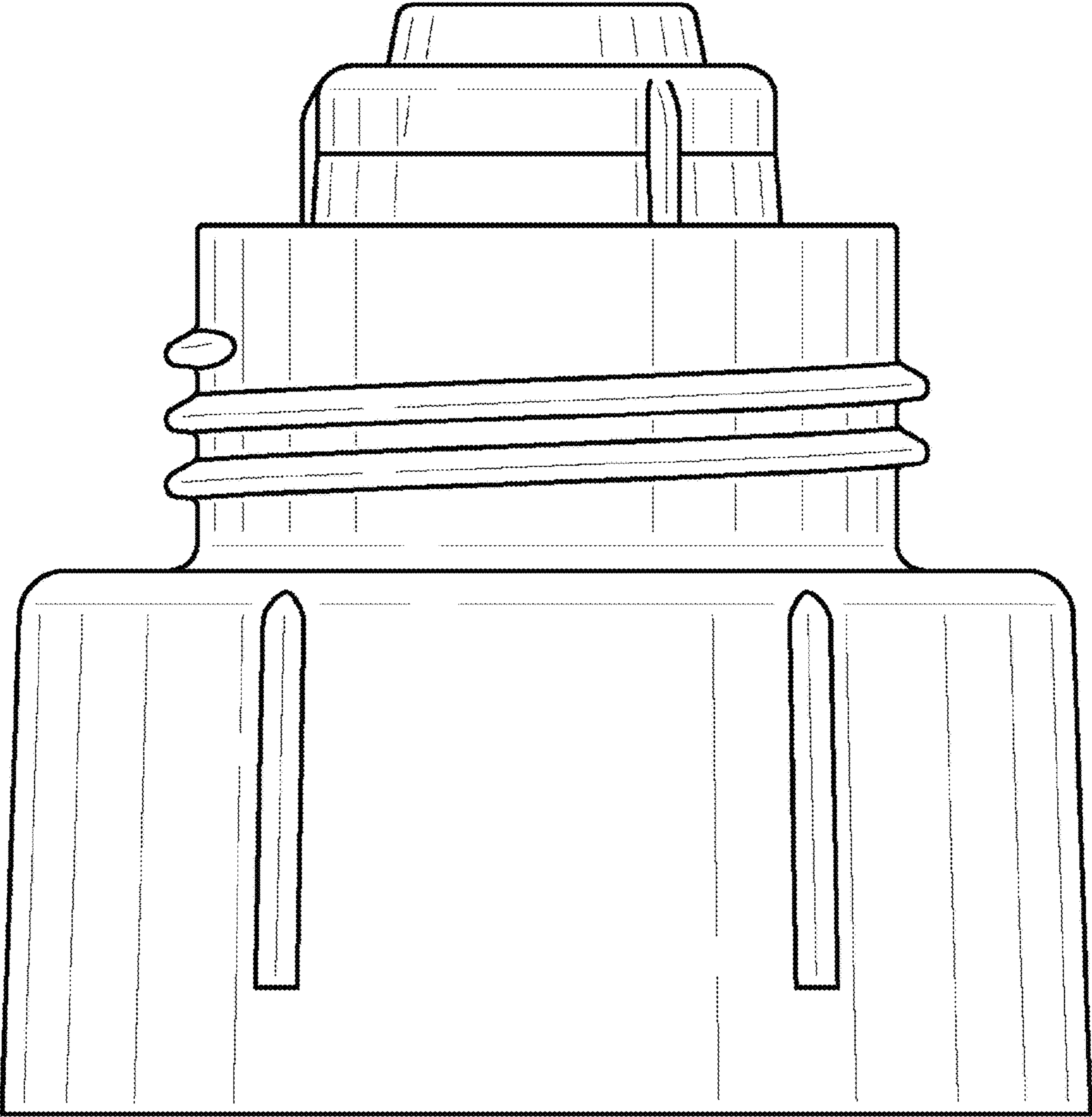


FIG. 7

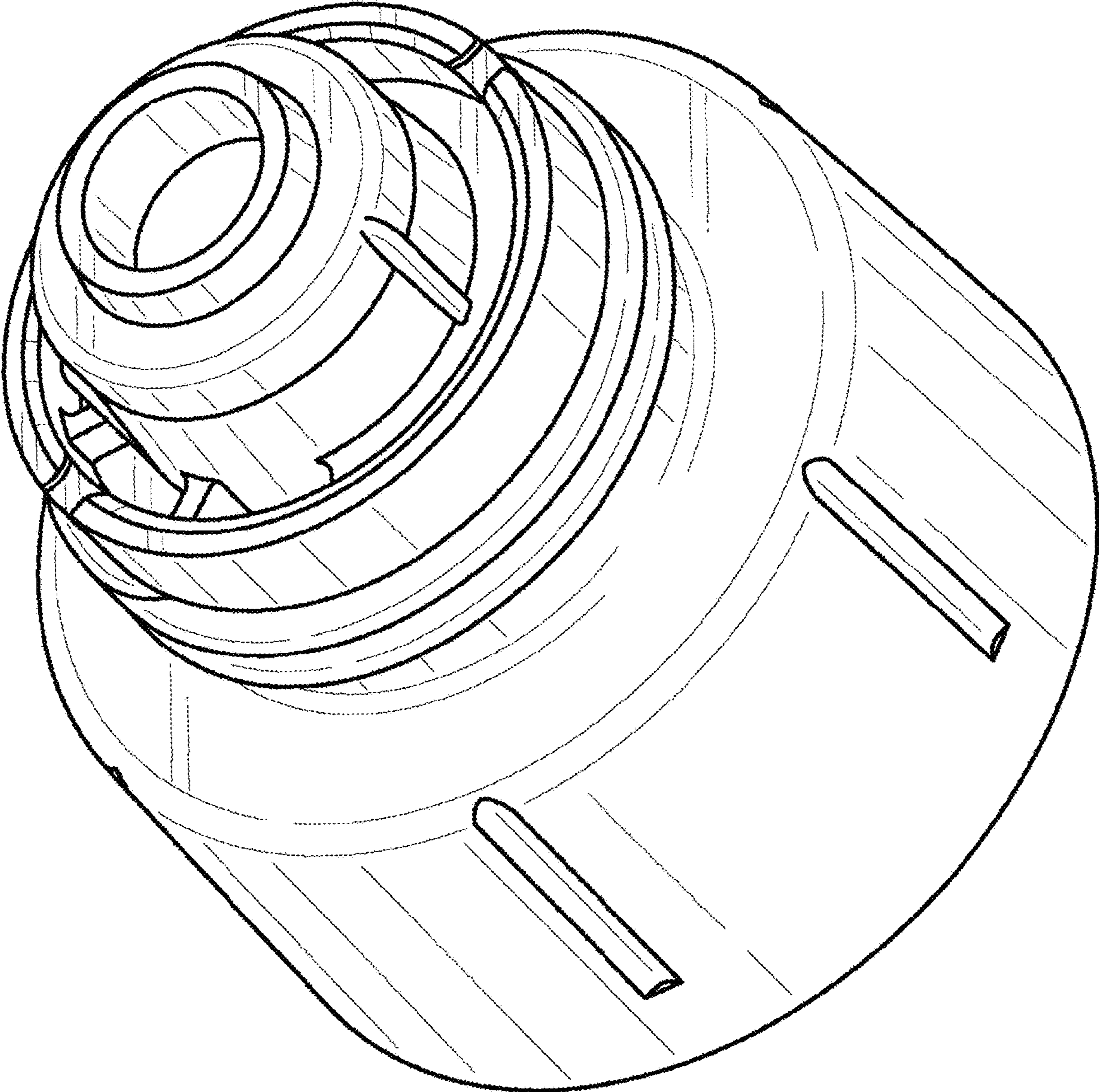




FIG. 8

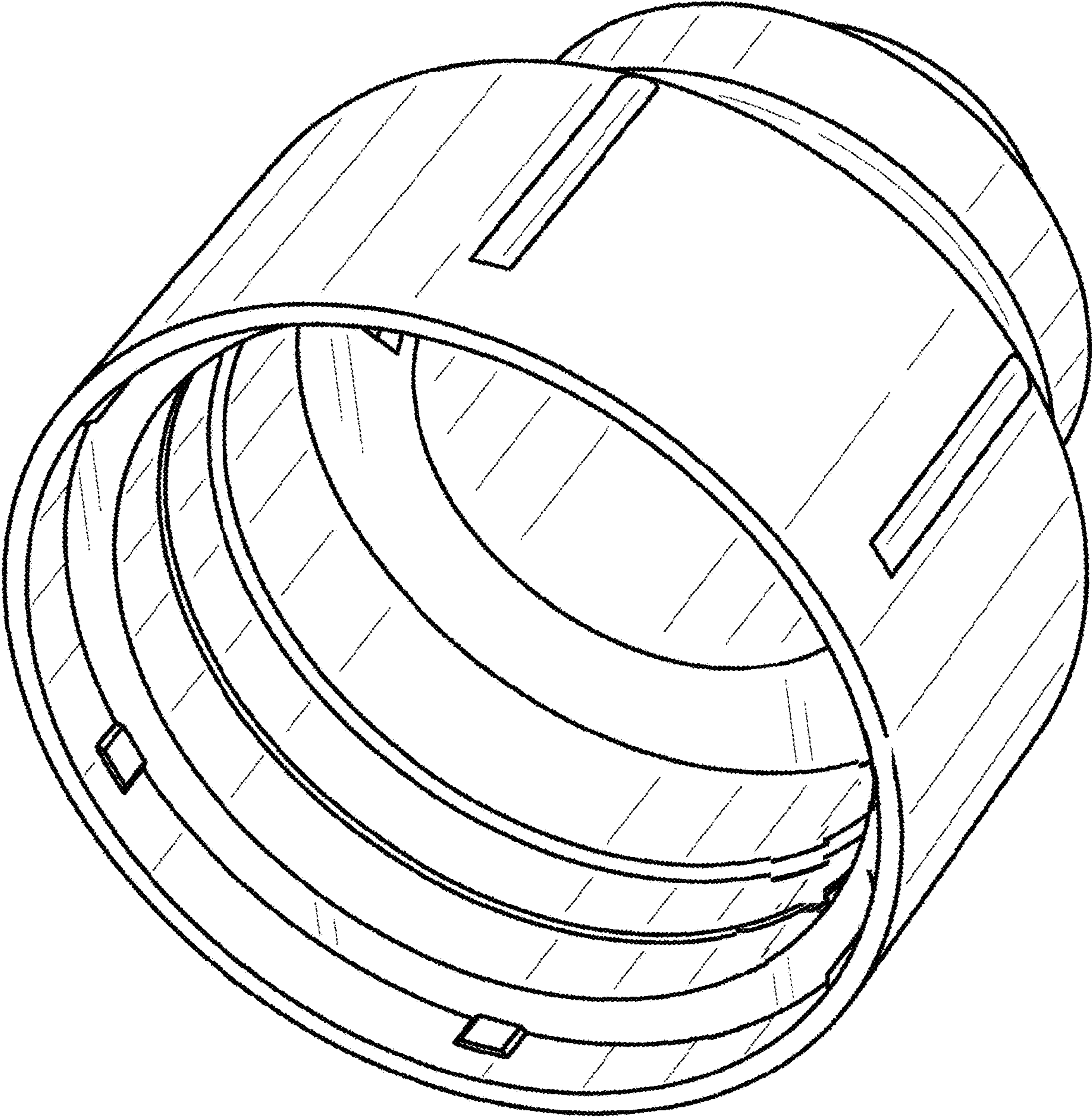


FIG. 9

