



US00D936140S

(12) **United States Design Patent** (10) **Patent No.:** **US D936,140 S**
Ohara et al. (45) **Date of Patent:** **** Nov. 16, 2021**

(54) **CAP FOR INK BOTTLE FOR REFILLING PRINTER CARTRIDGES** 15/0877; G03G 15/0898; G03G 15/50; G03G 15/5016; G03G 15/60; G03G 15/65

(71) Applicant: **CANON KABUSHIKI KAISHA**, Tokyo (JP) See application file for complete search history.

(72) Inventors: **Manabu Ohara**, Kanagawa-ken (JP); **Hitomi Ogasawara**, Kanagawa-ken (JP); **Noriyasu Nagai**, Tokyo (JP); **Hiroshi Koshikawa**, Kanagawa-ken (JP); **Akihisa Shiozaki**, Kanagawa-ken (JP); **Kenta Udagawa**, Tokyo (JP); **Hiroki Hayashi**, Kanagawa-ken (JP); **Shoki Takiguchi**, Tokyo (JP)

(73) Assignee: **Canon Kabushiki Kaisha**, Tokyo (JP)

(**) Term: **15 Years**

(21) Appl. No.: **29/779,142**

(22) Filed: **Apr. 16, 2021**

Related U.S. Application Data

(62) Division of application No. 35/508,987, filed on Oct. 2, 2019 (U.S. filing date under 35 U.S.C. 384), and having an international filing date of Oct. 2, 2019, now Pat. No. Des. 925,647.

Foreign Application Priority Data

Apr. 5, 2019 (JP) 2019-007450

(51) **LOC (13) Cl.** **18-03**

(52) **U.S. Cl.**
USPC **D18/56**

(58) **Field of Classification Search**
USPC D18/18, 40, 43, 56, 99; D9/443, 529, D9/552; D14/471

CPC G03G 15/0832; G03G 15/0834; G03G 15/0836; G03G 15/0837; G03G 15/0867; G03G 15/0868; G03G 15/0872; G03G

(56) **References Cited**

U.S. PATENT DOCUMENTS

D142,622 S *	10/1945	Derham	D9/453
D267,546 S *	1/1983	Manlove	D9/445
D284,555 S *	7/1986	Schornagel	D9/453
D592,057 S *	5/2009	Guerin	D9/449
D693,682 S *	11/2013	Bahri	D9/453
D763,078 S *	8/2016	Roy	D9/447
D815,945 S *	4/2018	Fischer	D9/453
D816,158 S	4/2018	Yoshii et al.	
D836,441 S *	12/2018	Huang	D9/453
D860,004 S *	9/2019	Aboabdo	D9/724
D863,963 S *	10/2019	Berroa Garcia	D9/453
D865,521 S *	11/2019	Ishizawa	D9/453
D869,550 S *	12/2019	Yoshii	D18/56
2018/0318493 A1 *	11/2018	Domnine	B05B 1/14

* cited by examiner

Primary Examiner — Khawaja Anwar

(74) *Attorney, Agent, or Firm* — Venable LLP

(57) **CLAIM**

The ornamental design for a cap for ink bottle for refilling printer cartridges, as shown and described.

DESCRIPTION

- FIG. 1 : Front (Back view is identical)
- FIG. 2: Top
- FIG. 3: Bottom
- FIG. 4: Right (Left view is identical)
- FIG. 5: Perspective
- FIG. 6: Perspective; and,
- FIG. 7: Cross-sectional view of FIG. 2 along center line A-A.

1 Claim, 7 Drawing Sheets

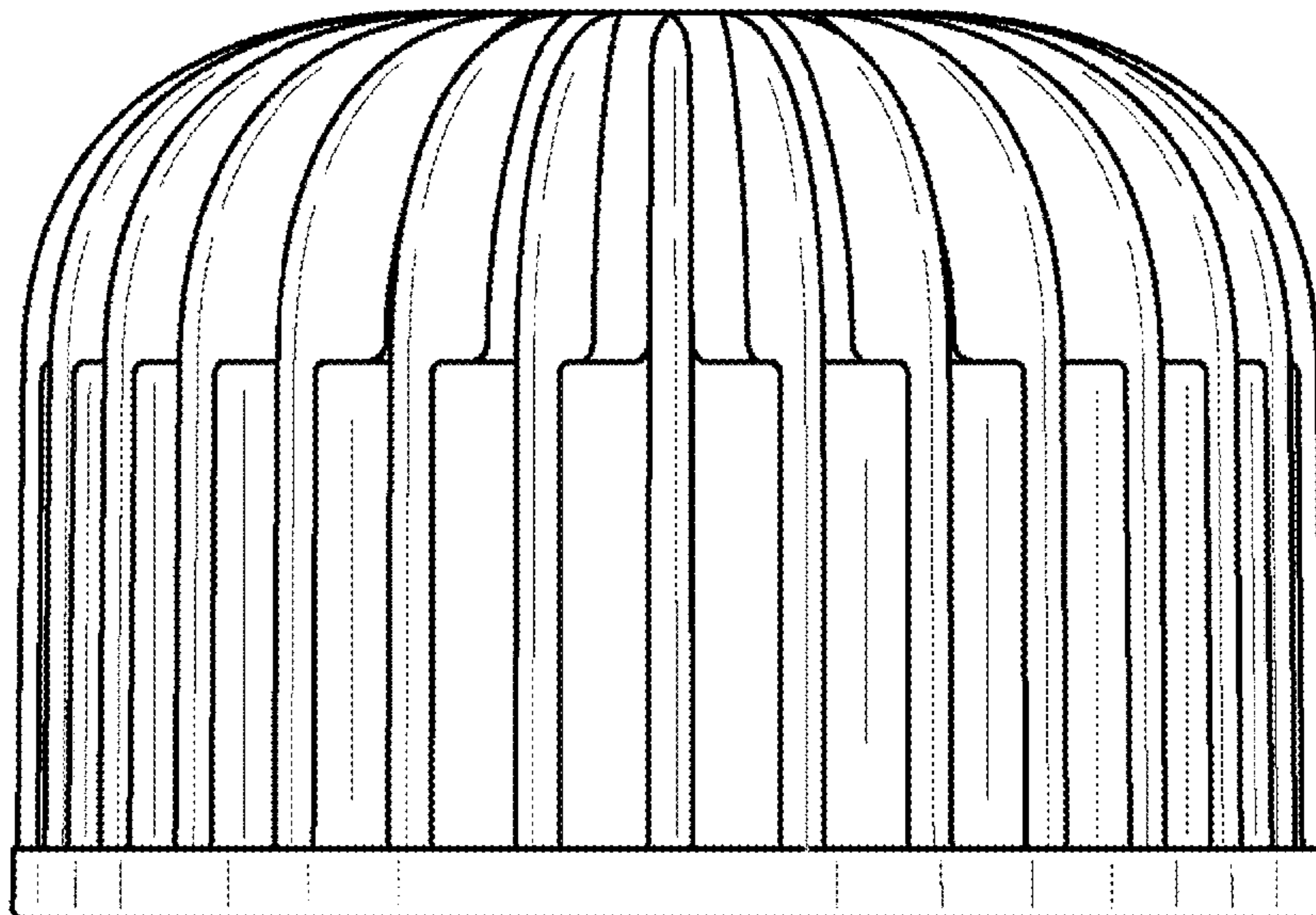


FIG. 1

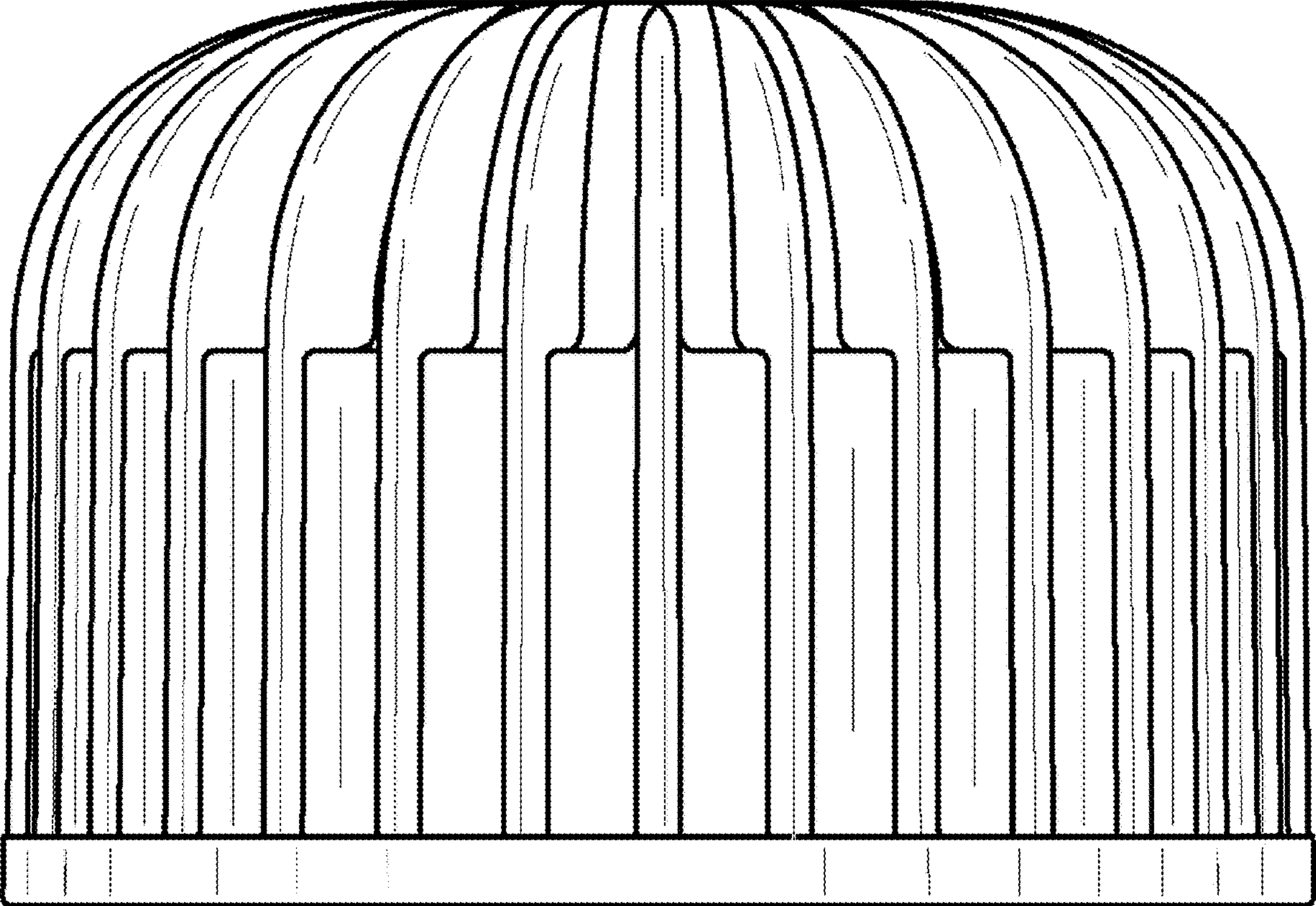


FIG. 2

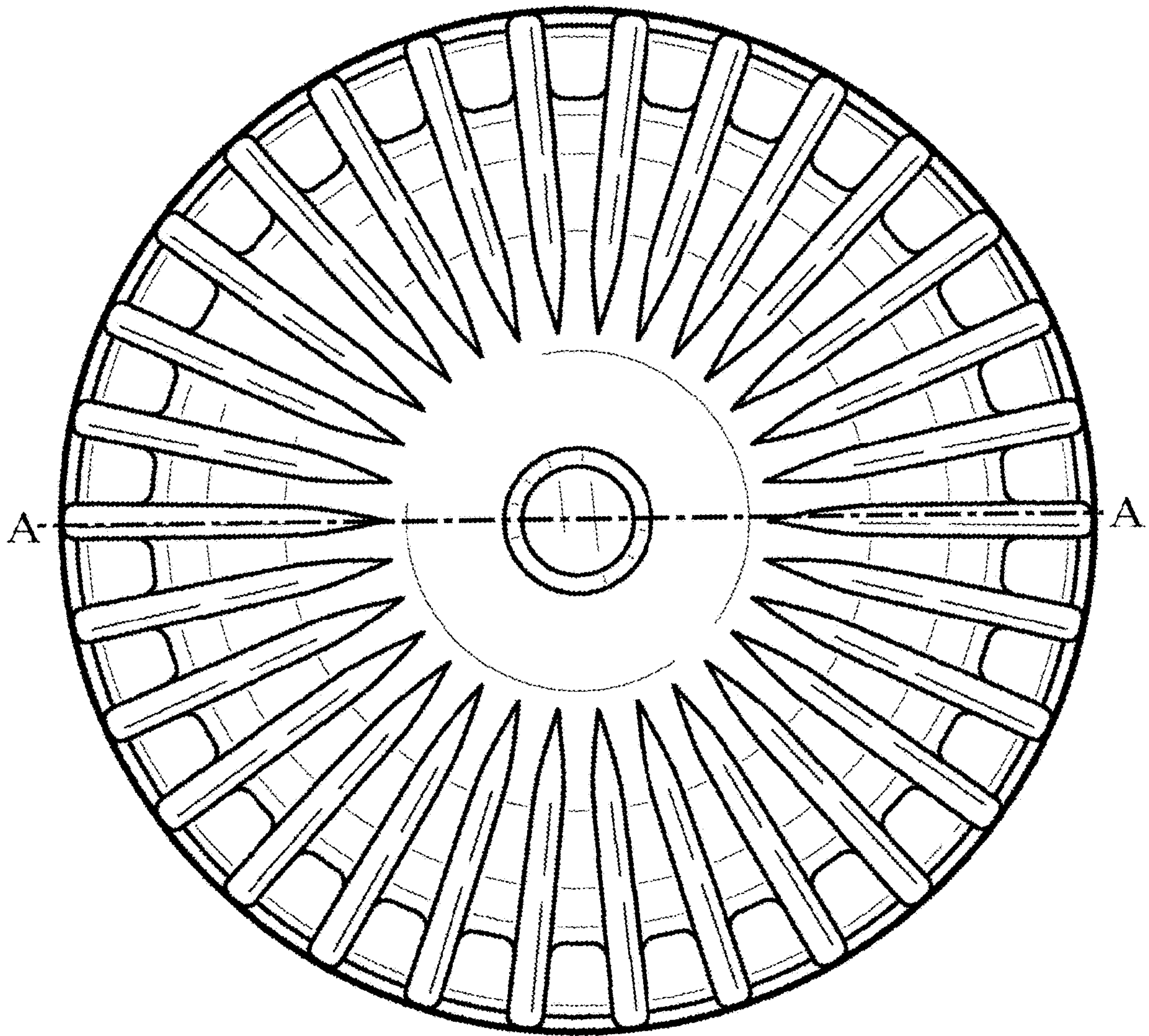


FIG. 3

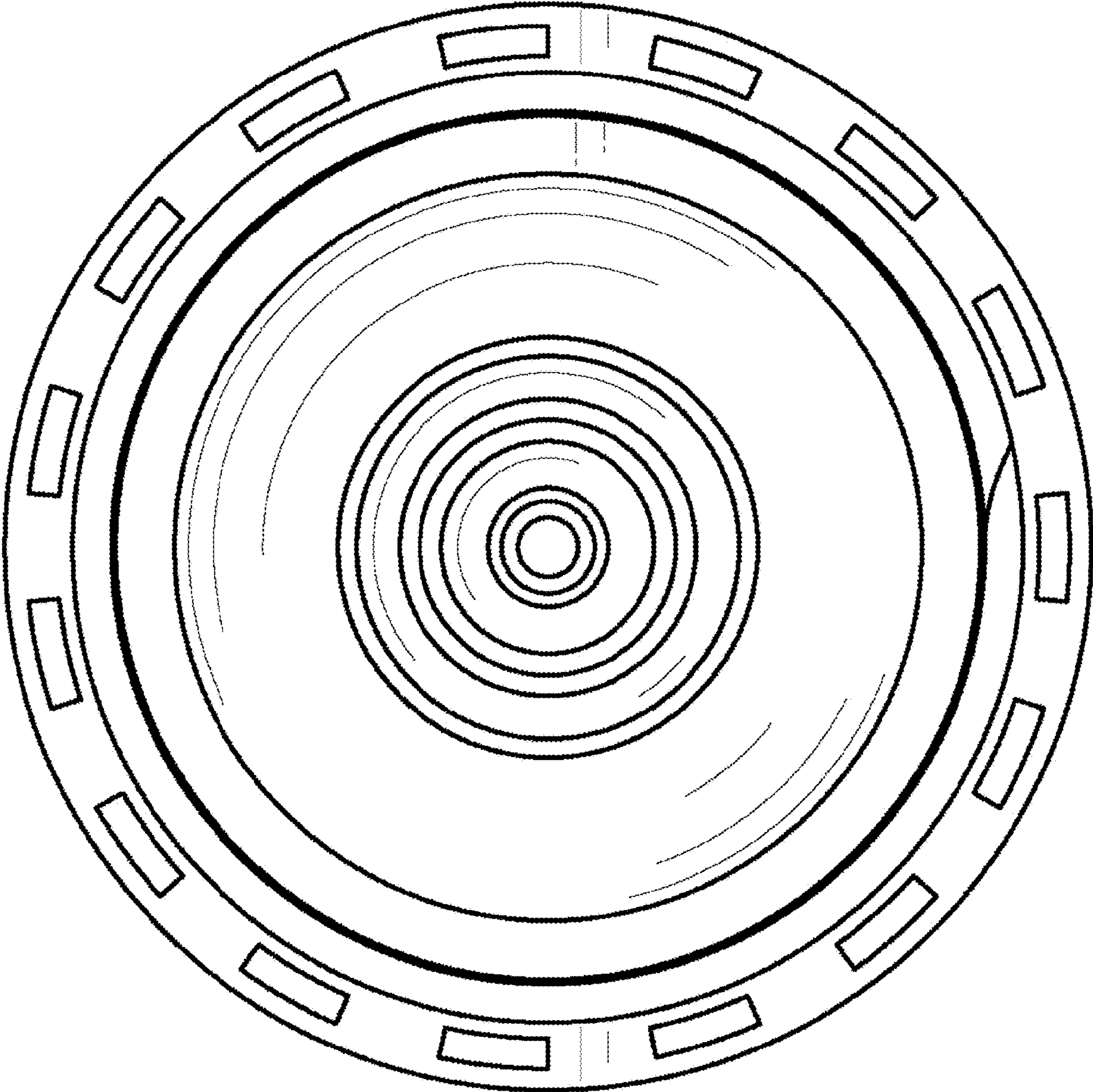


FIG. 4

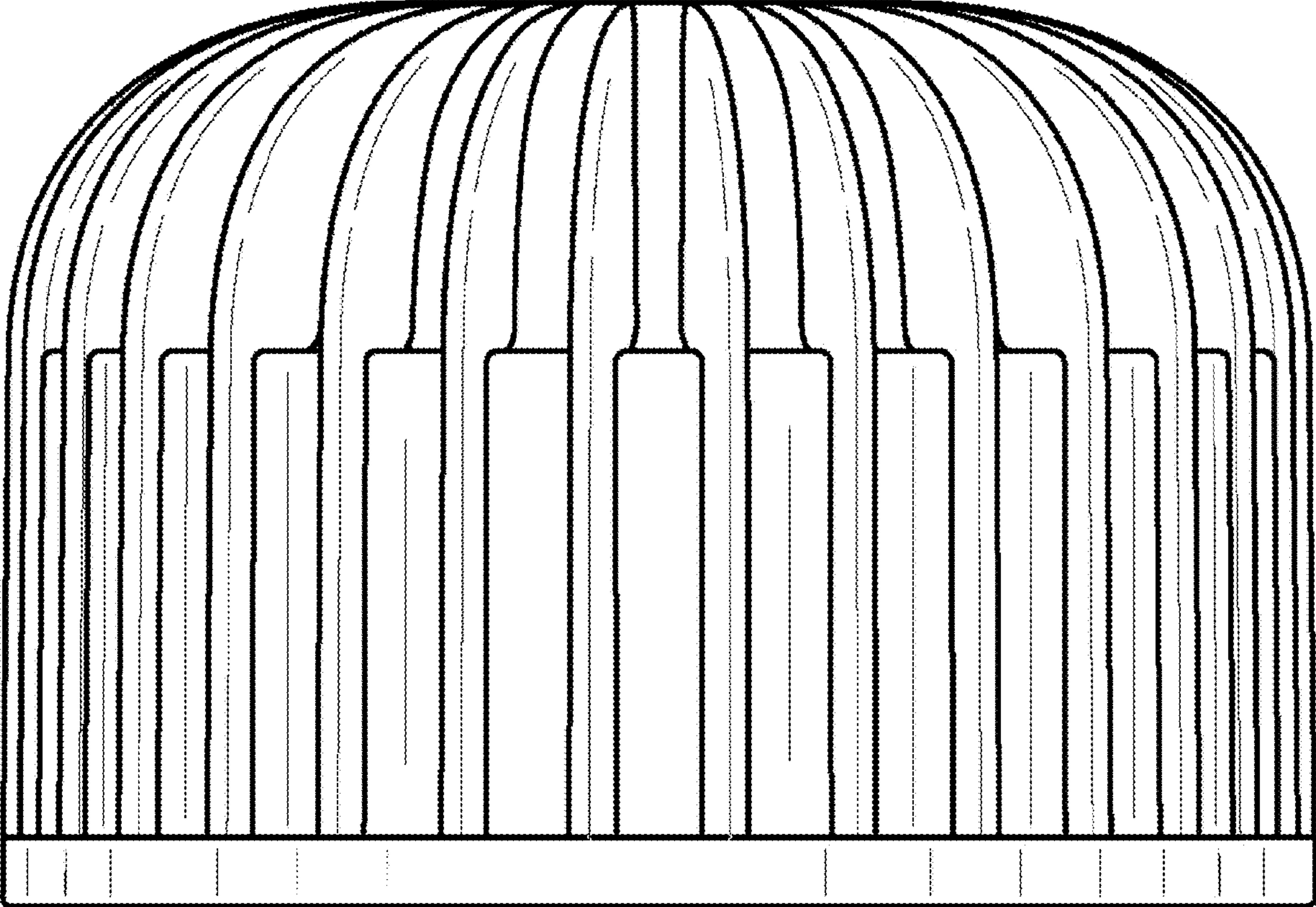


FIG. 5

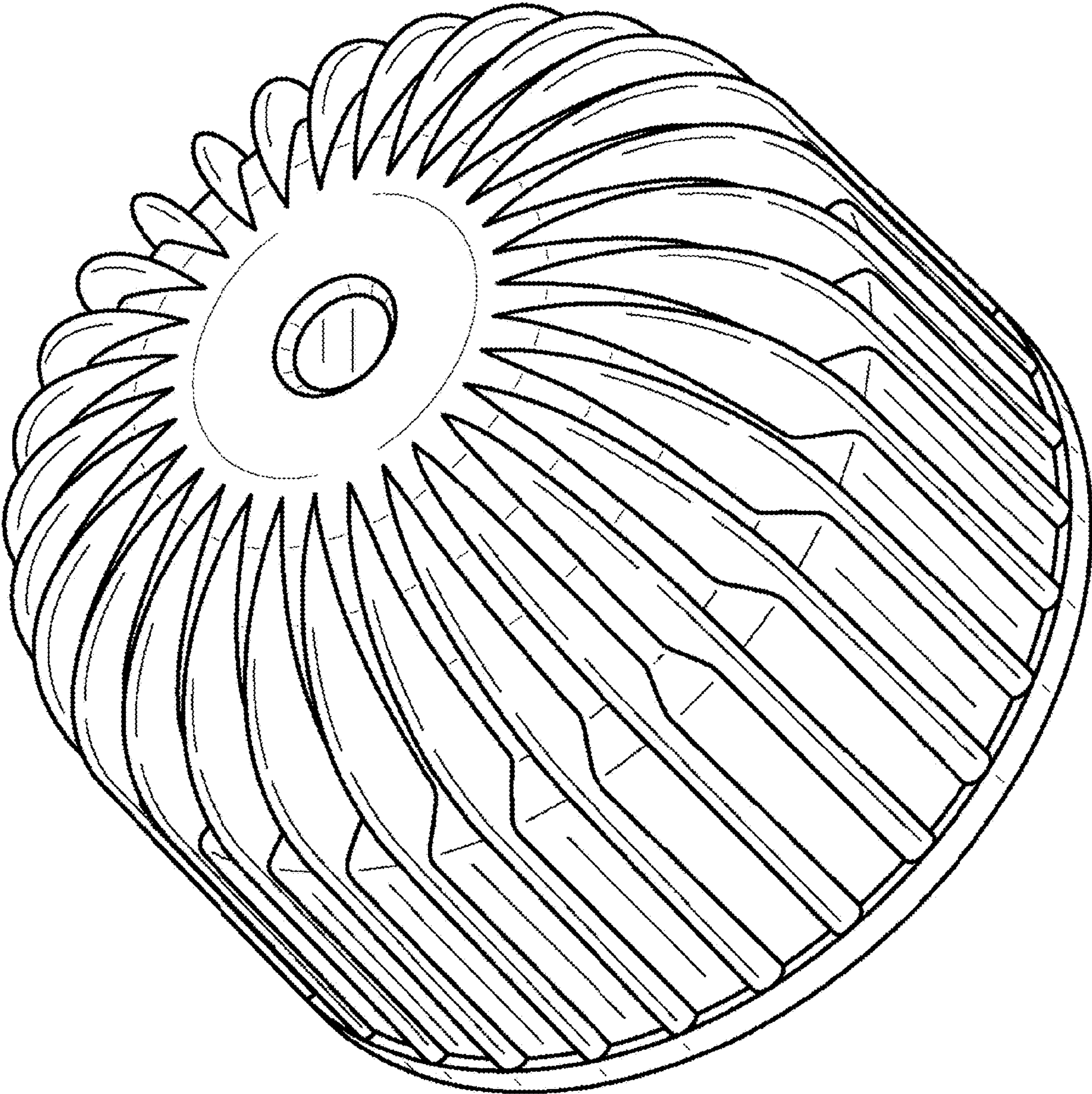


FIG. 6

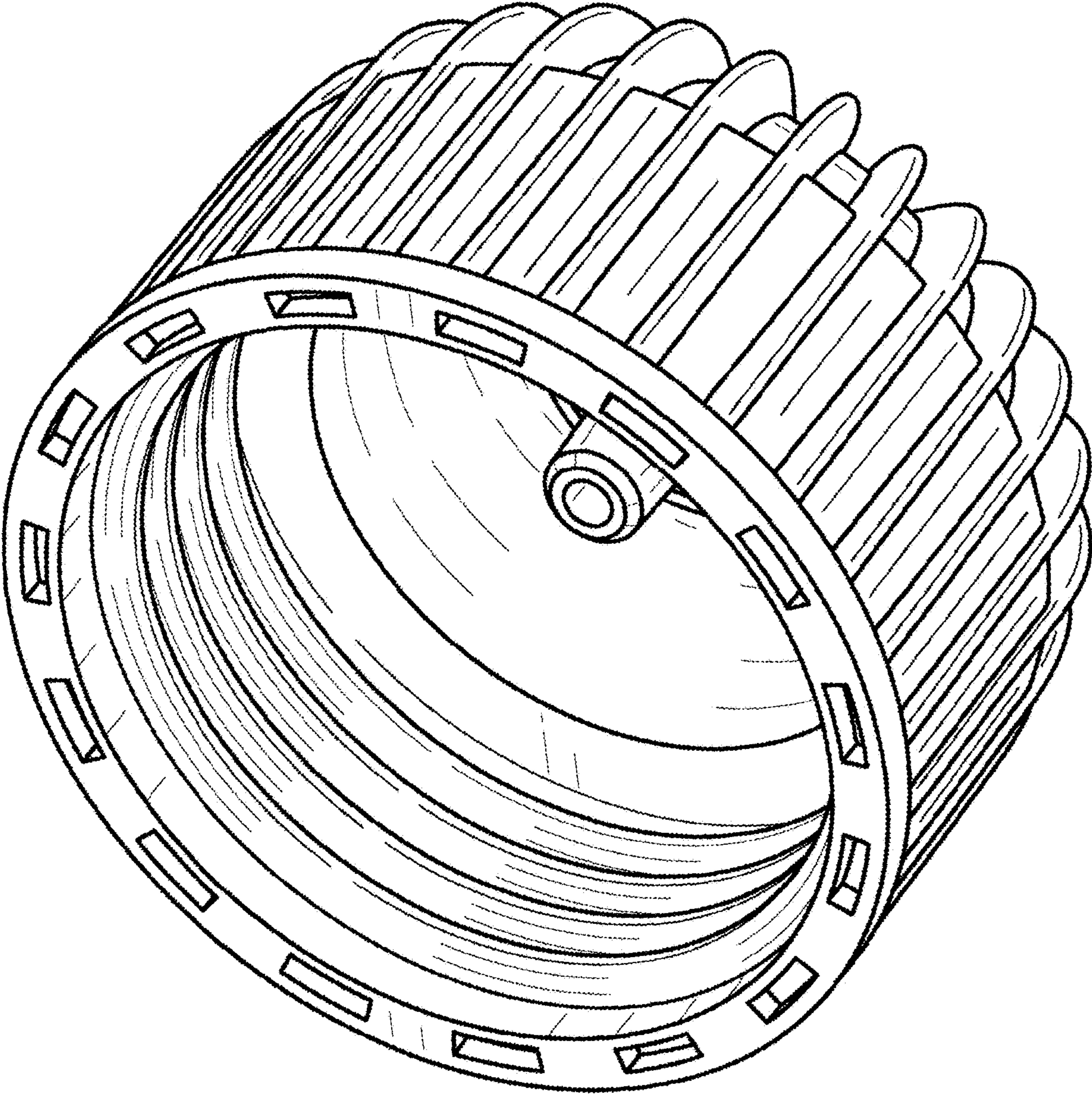


FIG. 7

