



US00D936138S

(12) **United States Design Patent** (10) **Patent No.:** **US D936,138 S**  
**Siekmann et al.** (45) **Date of Patent:** **\*\* Nov. 16, 2021**

(54) **TONER CARTRIDGE**

(71) Applicant: **LEXMARK INTERNATIONAL, INC.**, Lexington, KY (US)

(72) Inventors: **Jay Scott Siekmann**, Nicholasville, KY (US); **Randal Scott Williamson**, Georgetown, KY (US)

(73) Assignee: **Lexmark International, Inc.**, Lexington, KY (US)

(\*\*) Term: **15 Years**

(21) Appl. No.: **29/719,275**

(22) Filed: **Jan. 2, 2020**

**Related U.S. Application Data**

(63) Continuation of application No. 29/710,459, filed on Oct. 23, 2019.

(51) **LOC (13) Cl.** ..... **16-03**

(52) **U.S. Cl.**  
USPC ..... **D18/43**

(58) **Field of Classification Search**

USPC ..... D15/122, 135-138, 141, 66, 73, 76-78, D15/89; D18/53, 59, 50, 14, 19, 54-57, D18/36-45, 34.4, 34.5, 34.6, 18, 51, 12, D18/46-49; D14/301-303, 307, 345, D14/420-425, 462; D6/691.4, 675, 708; D13/107, 108; D19/92, 77, 99; D7/554.3, 637; D3/304, 313; D9/424; D8/313, 314, 301, 315, 300, 302, 307; D34/1  
CPC ..... B41J 2/14; B41J 1/54; B41J 3/4073; B41J 3/4078; B41F 17/22; B41F 17/003; B41F 17/38; B28B 1/001; G03G 15/08; G03G

(Continued)

(56) **References Cited**

U.S. PATENT DOCUMENTS

D462,984 S \* 9/2002 Hayashi ..... D18/40  
7,139,510 B2 11/2006 Carter et al.  
7,305,204 B2 12/2007 Carter et al.

(Continued)

FOREIGN PATENT DOCUMENTS

EP 007816772-0001 \* 5/2020

OTHER PUBLICATIONS

Lexmark, LEXB341H00, B341H00 High Yield Return Program Toner Cartridge, published Jun. 2, 2020 [online], [retrieved Jul. 14, 2021], Available from Internet, URL: <https://www.amazon.com/Lexmark-LEXB341H00-B341H00-Program-Cartridge/dp/B089KR32P6>.\*

(Continued)

*Primary Examiner* — Dana K Weiland

*Assistant Examiner* — Mary Claire Ramirez

(74) *Attorney, Agent, or Firm* — Justin M. Tromp

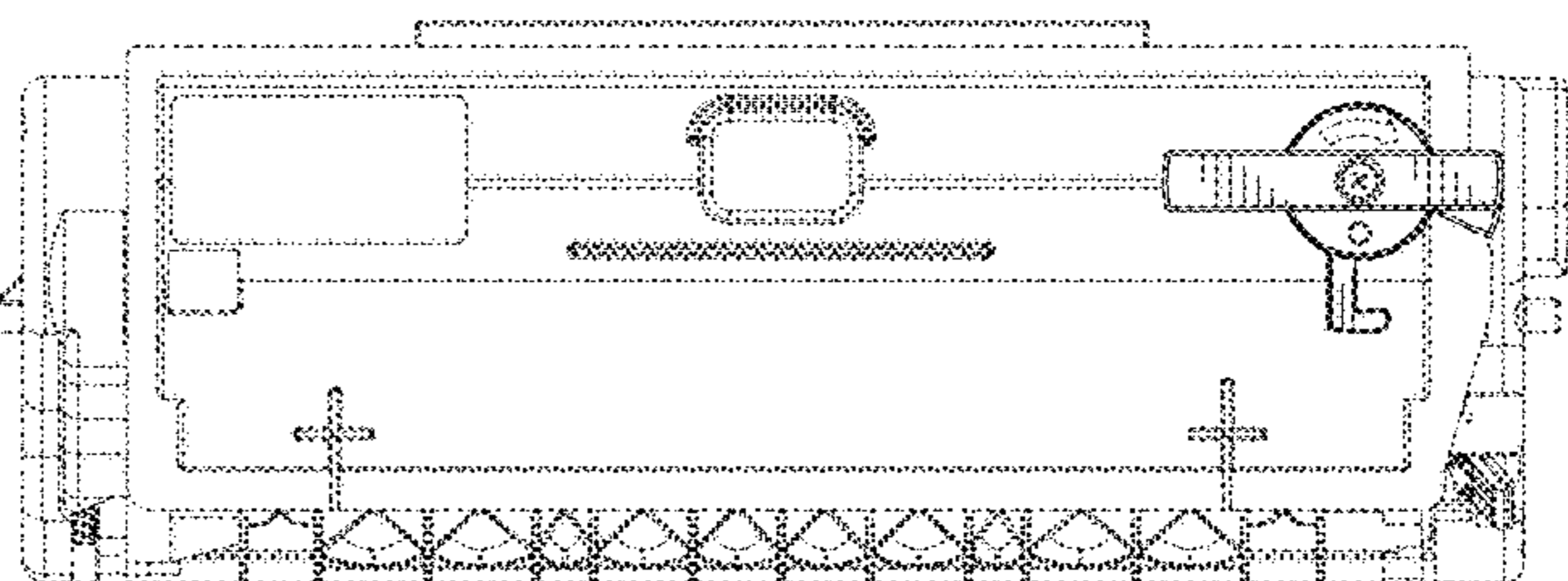
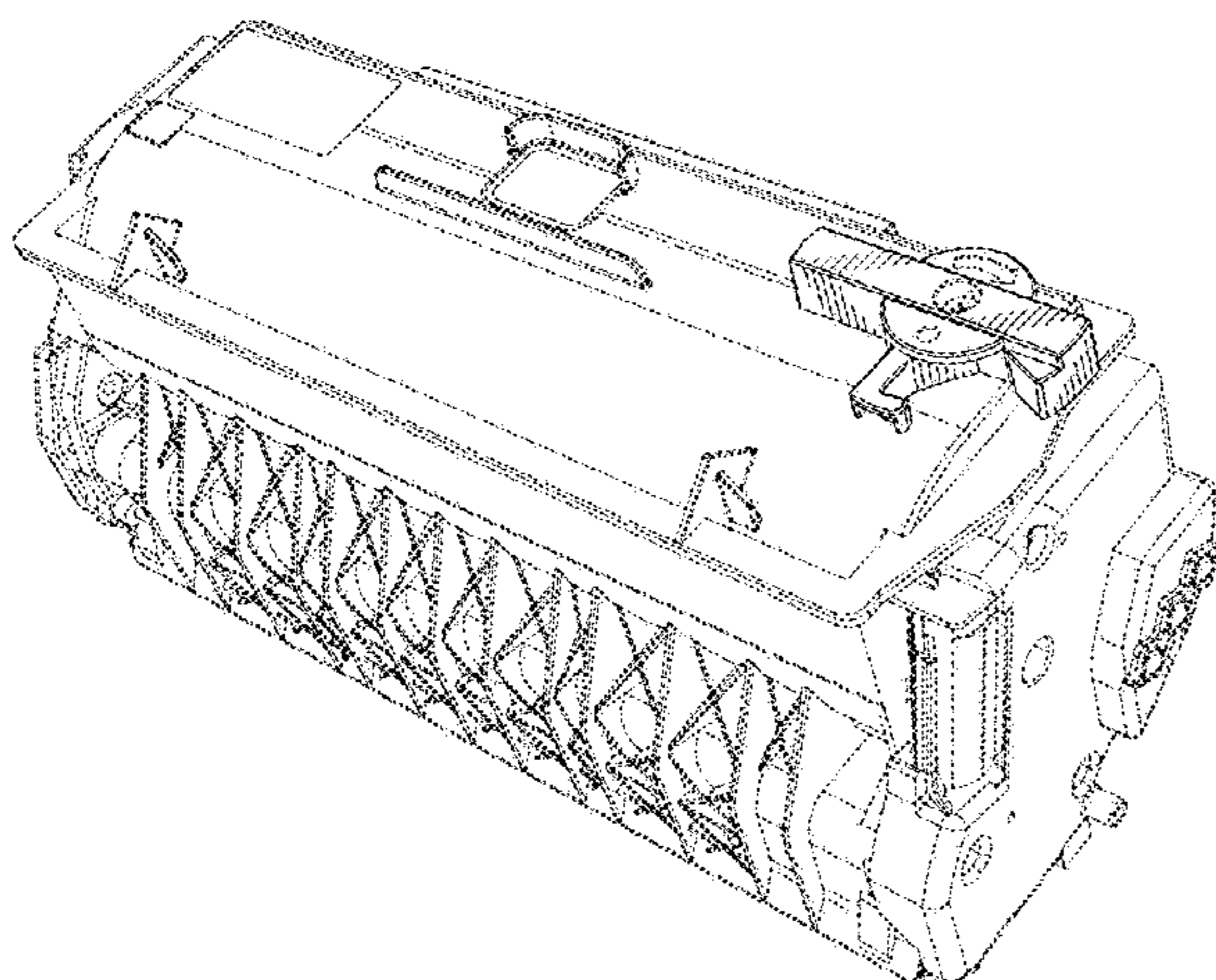
(57) **CLAIM**

The ornamental design for a toner cartridge, as shown and described.

**DESCRIPTION**

FIG. 1 is a left side, front, top perspective view of a toner cartridge showing the new design; FIG. 2 is a right side, rear, top perspective view thereof; FIG. 3 is a right side, front, bottom perspective view thereof; FIG. 4 is a left side, rear, bottom perspective view thereof; FIG. 5 is a front elevation view thereof; FIG. 6 is a rear elevation view thereof; FIG. 7 is a left side elevation view thereof; FIG. 8 is a right side elevation view thereof; FIG. 9 is a top plan view thereof; and, FIG. 10 is a bottom plan view thereof. The features shown in broken lines depict portions of the toner cartridge that form no part of the claimed design.

**1 Claim, 10 Drawing Sheets**



(58) **Field of Classification Search**  
 CPC ... 15/0891; G03G 15/0875; G03G 2215/0827;  
 G03G 2215/0855; G03G 21/1842  
 See application file for complete search history.

(56) **References Cited**

U.S. PATENT DOCUMENTS

7,693,464	B2 *	4/2010	Farris .....	G03G 15/0896	
				399/262	
D645,503	S	9/2011	Carter, II et al.		
D693,400	S	11/2013	Boettcher et al.		
D695,338	S	12/2013	Boettcher et al.		
D695,821	S *	12/2013	Carter, II .....	D18/43	
9,063,462	B2 *	6/2015	Thacker .....	G06F 3/1293	
D754,248	S *	4/2016	Jang .....	D18/43	
9,551,974	B1 *	1/2017	Martin .....	G03G 21/1867	
9,563,169	B1 *	2/2017	Carpenter .....	G03G 21/1867	
9,608,634	B1 *	3/2017	Denton .....	B41J 2/17546	
9,608,828	B1 *	3/2017	Denton .....	G09C 1/00	
10,012,926	B2 *	7/2018	Makie .....	G03G 15/0808	
10,025,264	B1 *	7/2018	Itabashi .....	G03G 21/1652	
10,042,282	B2 *	8/2018	Itabashi .....	G03G 15/0865	
D852,880	S *	7/2019	Anderson, Jr. ....	D18/43	
D854,078	S	7/2019	Anderson, Jr. et al.		
10,527,967	B1 *	1/2020	Williamson .....	G03G 21/1892	
10,627,743	B2 *	4/2020	Nieda .....	G03G 21/1814	
10,649,399	B1 *	5/2020	Leemhuis .....	G03G 21/1652	
D896,306	S *	9/2020	Nieda .....	D18/43	
11,022,910	B2 *	6/2021	Johnson, Jr. ....	G03G 21/1896	
D924,319	S *	7/2021	Nieda .....	D18/43	
2003/0228175	A1 *	12/2003	Wang .....	G03G 15/0894	
				399/258	

2006/0000279	A1 *	1/2006	Jamnia .....	G01F 23/38	
				73/313	
2006/0104673	A1 *	5/2006	Sasae .....	G03G 15/0886	
				399/262	
2008/0317500	A1 *	12/2008	Lee .....	G03G 21/1842	
				399/114	
2013/0170874	A1 *	7/2013	Carter, II .....	G03G 15/0891	
				399/263	
2014/0002537	A1 *	1/2014	Thacker .....	B41J 2/17546	
				347/19	
2016/0223948	A1 *	8/2016	Fukamachi .....	G03G 15/0896	
2017/0090348	A1 *	3/2017	Eto .....	G03G 15/0889	
2017/0100862	A1 *	4/2017	Denton .....	B29C 45/0001	
2018/0017887	A1 *	1/2018	Maezawa .....	G03G 15/1675	
2018/0181027	A1 *	6/2018	Mimura .....	G03G 21/1647	
2019/0369174	A1 *	12/2019	Corbett .....	G01R 33/1276	
2020/0218174	A1 *	7/2020	Johnson, Jr. ....	G03G 15/0889	
2020/0218175	A1 *	7/2020	Johnson, Jr. ....	G03G 15/0891	
2021/0181670	A1 *	6/2021	Williamson .....	G03G 21/1676	
2021/0200113	A1 *	7/2021	Tonges .....	G03G 15/0233	
2021/0200115	A1 *	7/2021	Carpenter .....	G03G 15/0889	
2021/0200144	A1 *	7/2021	Cavill .....	G03G 21/168	

OTHER PUBLICATIONS

U.S. Appl. No. 29/687,971, filed Apr. 17, 2019 (Amann et al.).  
 U.S. Appl. No. 29/687,975, filed Apr. 17, 2019 (Amann et al.).  
 U.S. Appl. No. 29/687,978, filed Apr. 17, 2019 (Amann et al.).  
 U.S. Appl. No. 29/687,982, filed Apr. 17, 2019 (Amann et al.).  
 U.S. Appl. No. 29/710,459, filed Oct. 23, 2019 (Carpenter et al.).  
 U.S. Appl. No. 29/719,259, filed Jan. 2, 2020 (Carpenter et al.).  
 U.S. Appl. No. 29/719,266, filed Jan. 2, 2020 (Carpenter et al.).  
 U.S. Appl. No. 29/719,282, filed Jan. 2, 2020 (Carpenter et al.).

\* cited by examiner



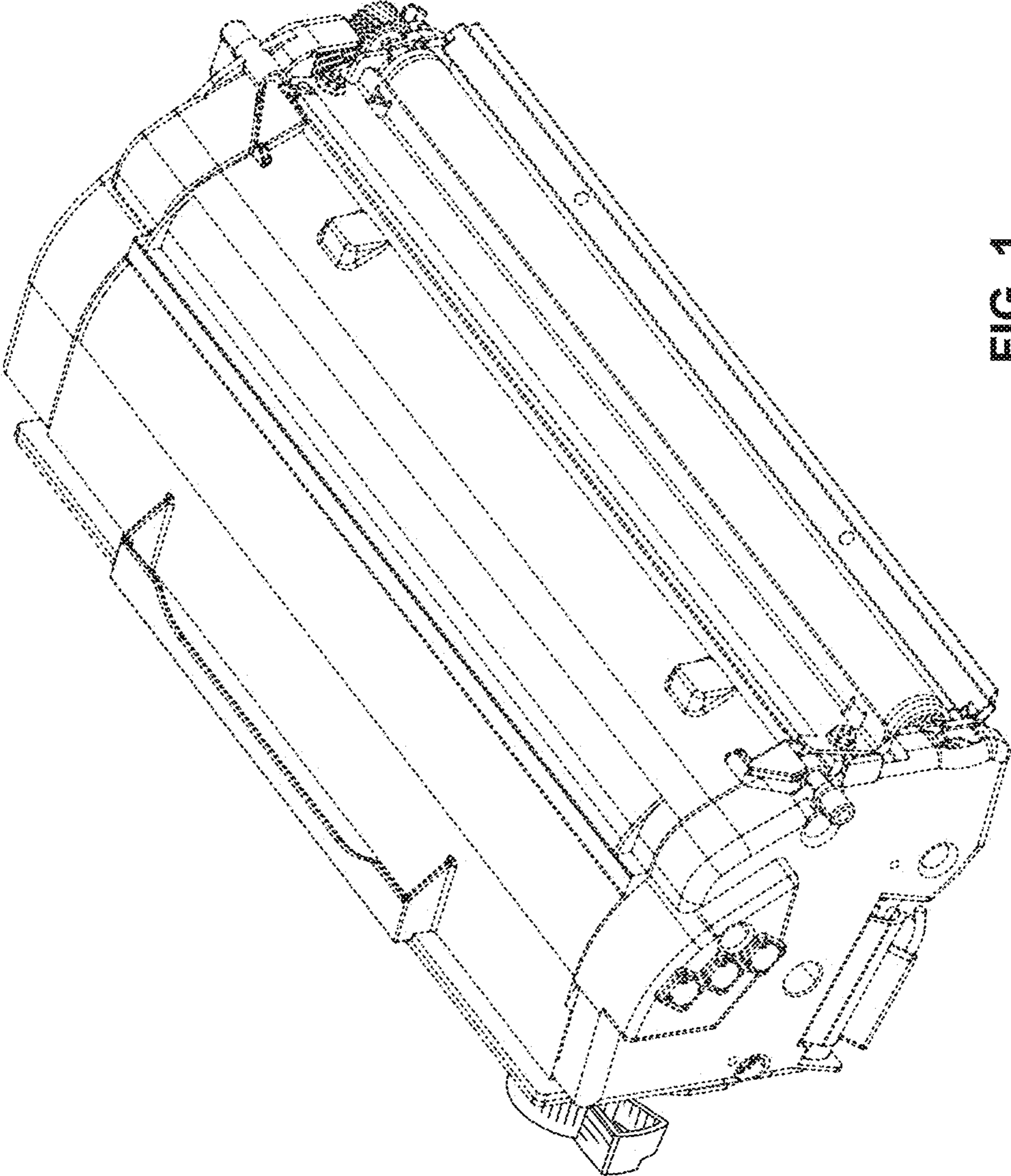


FIG. 1

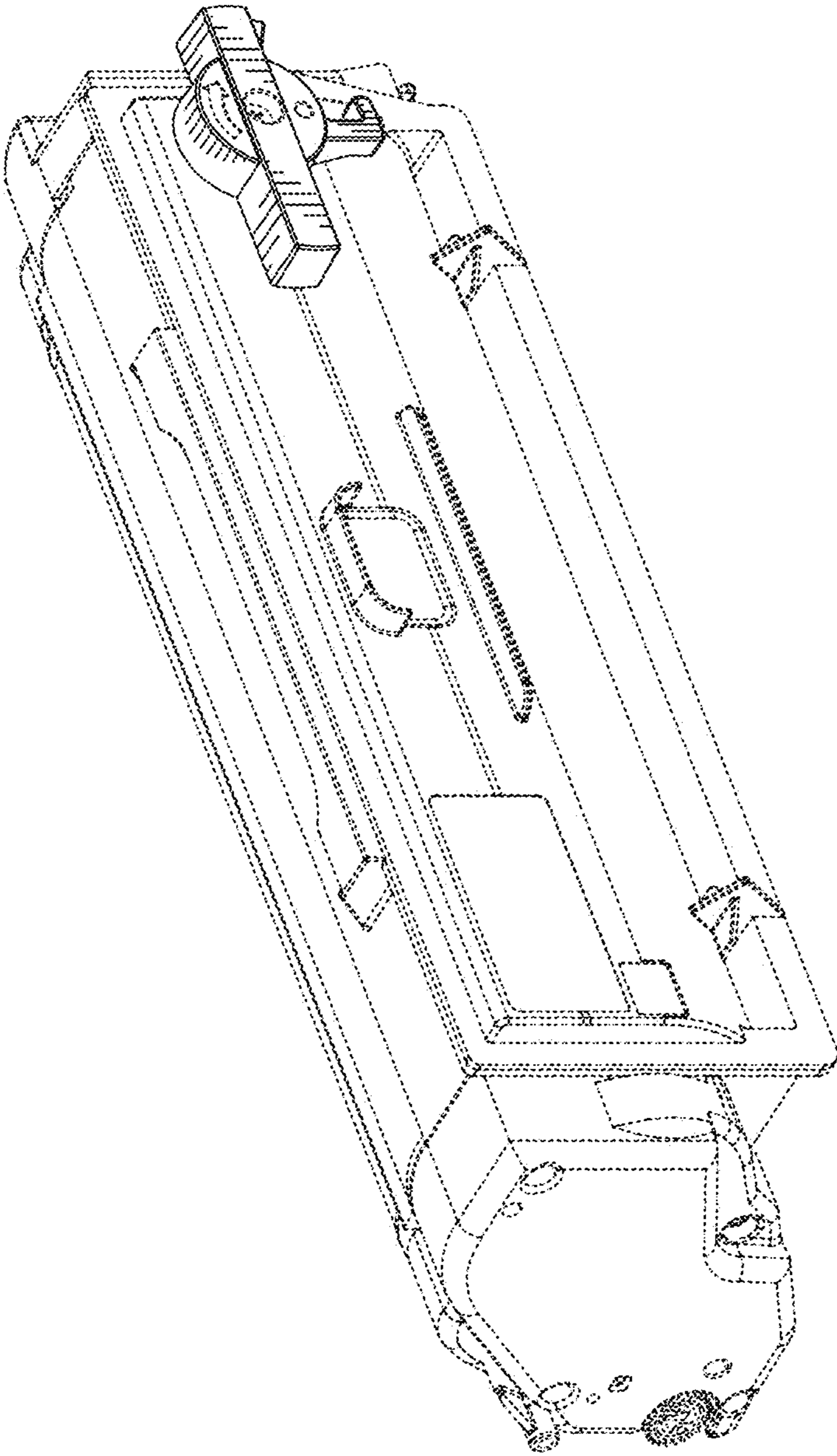


FIG. 2

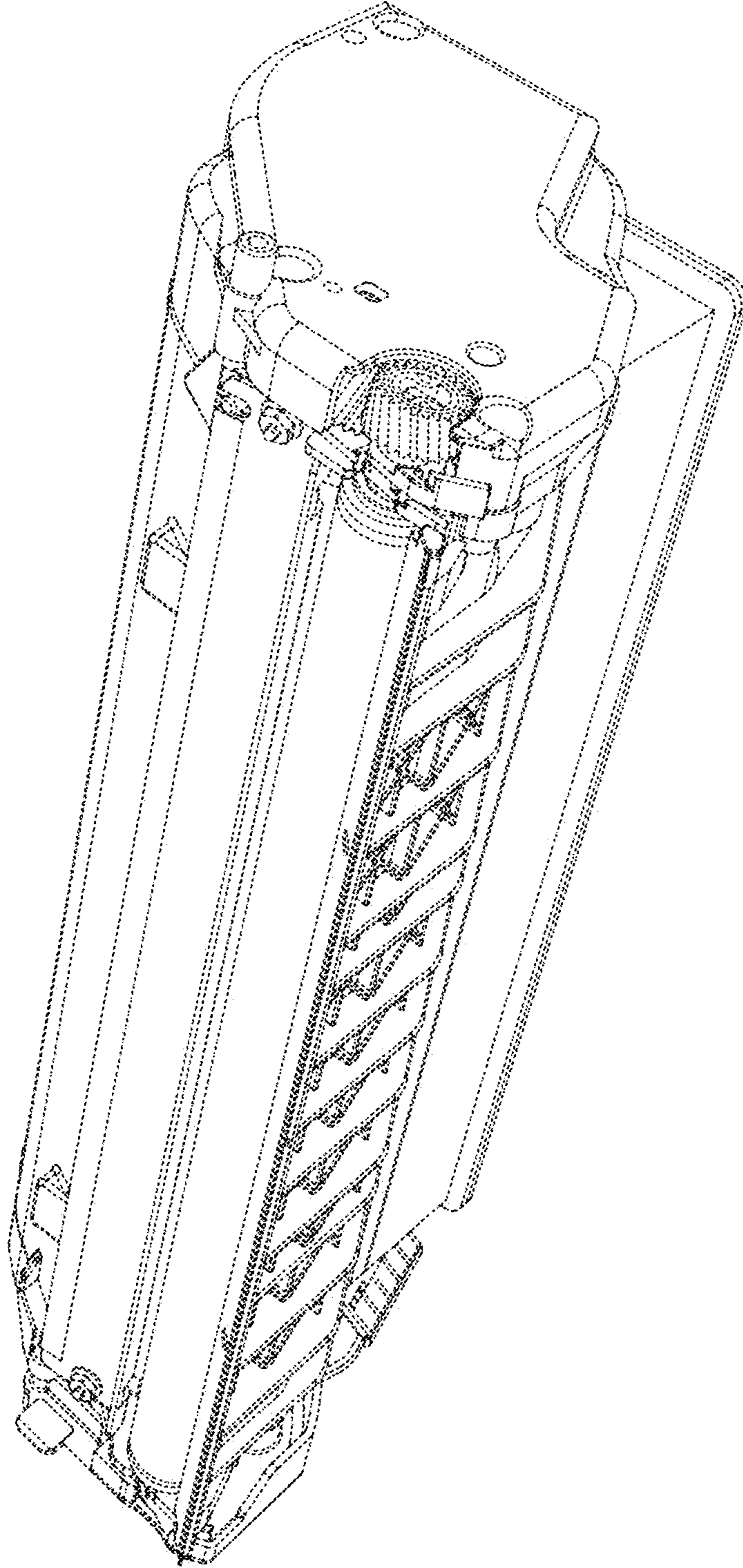


FIG. 3



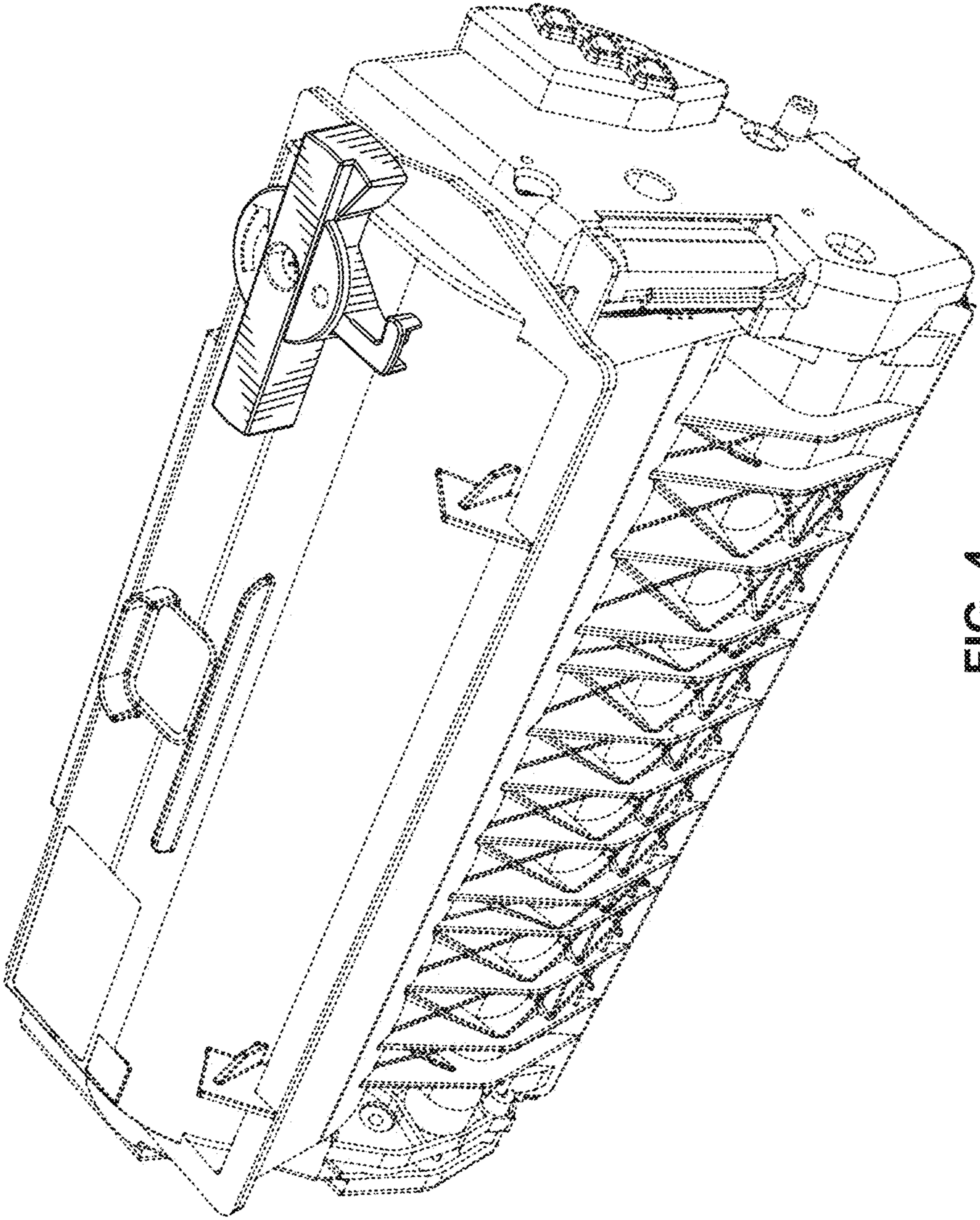


FIG. 4

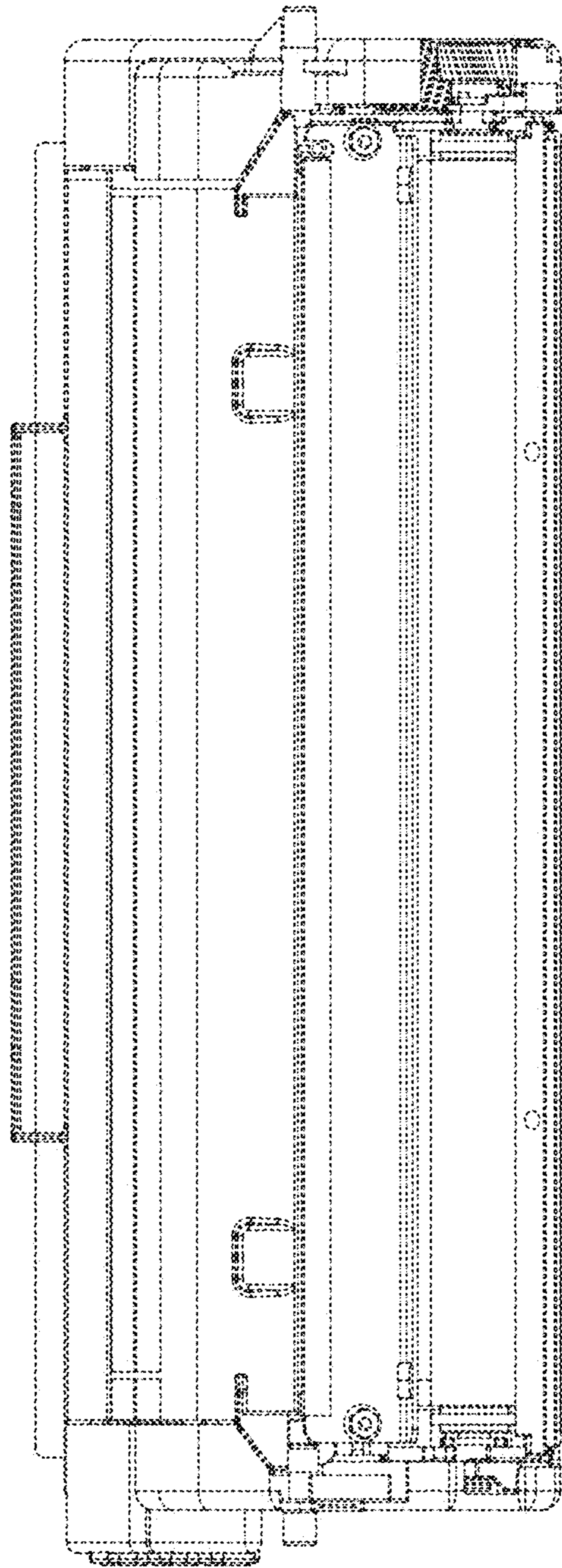


FIG. 5

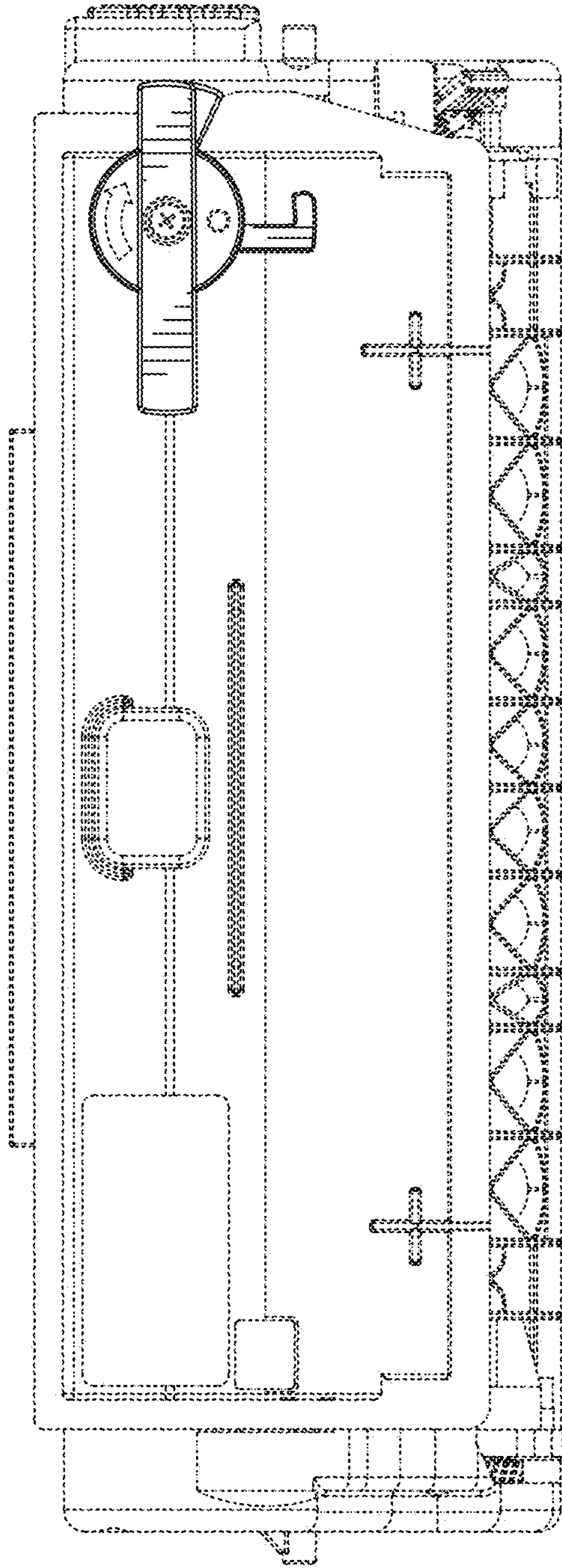


FIG. 6



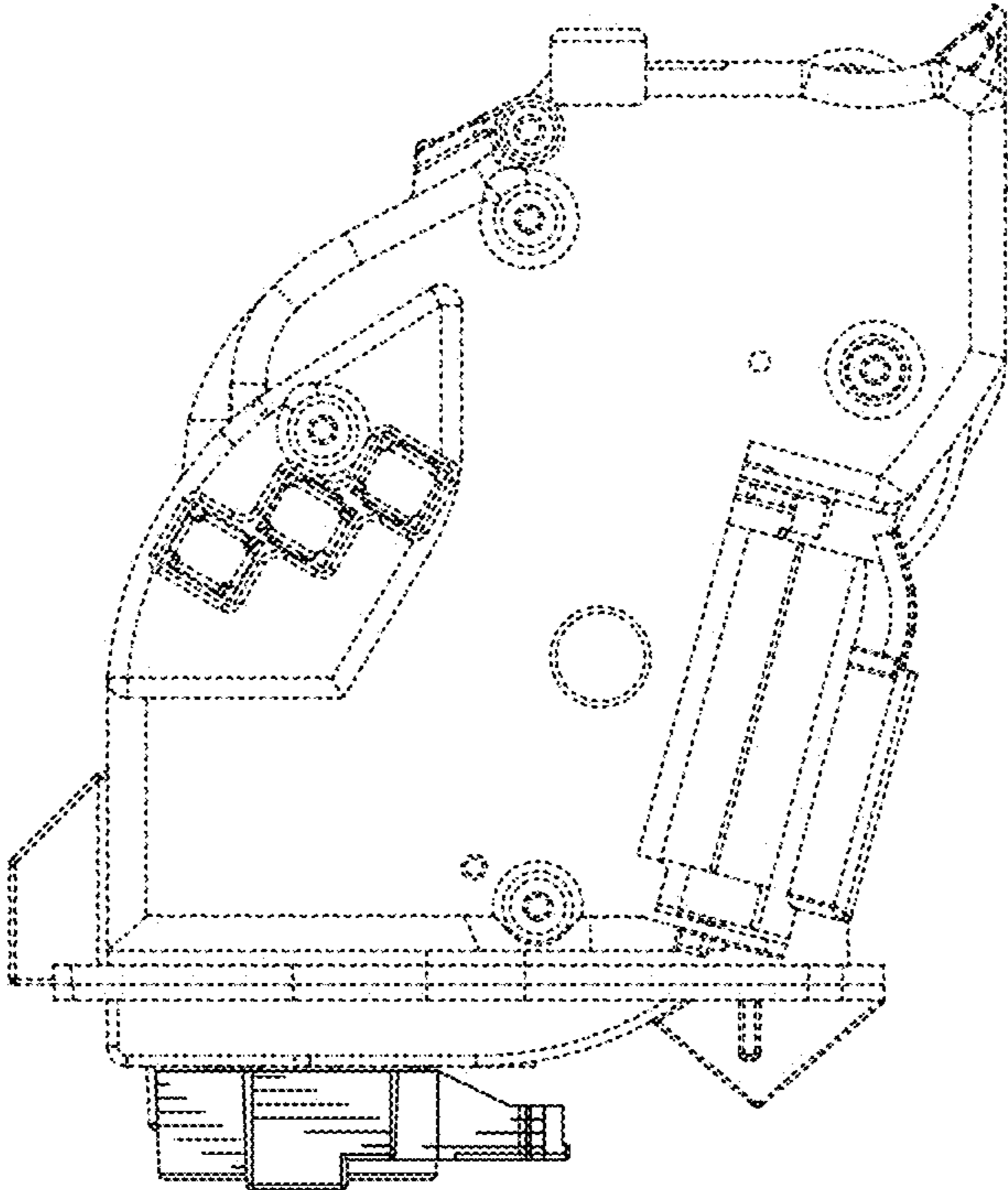


FIG. 7

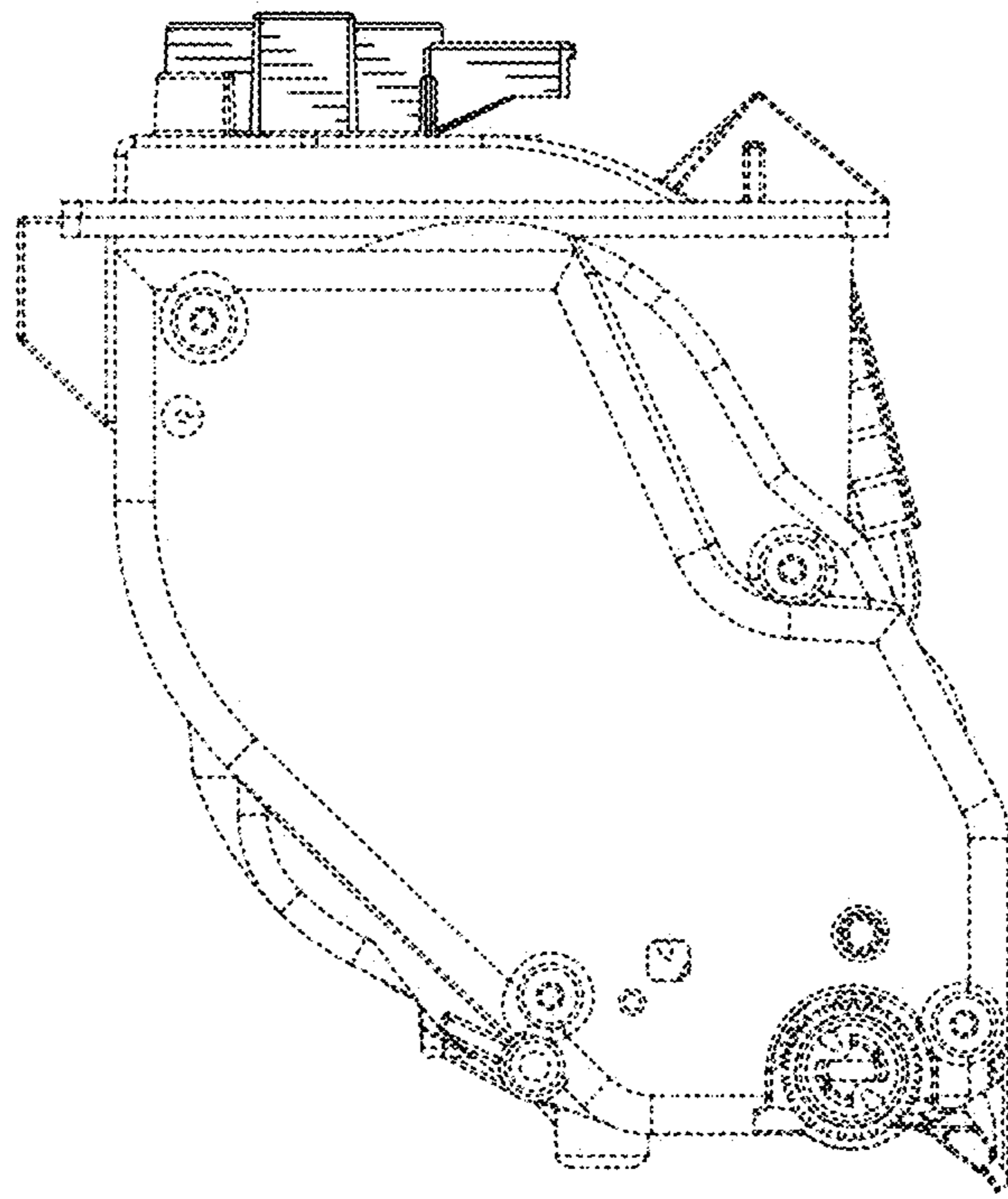


FIG. 8

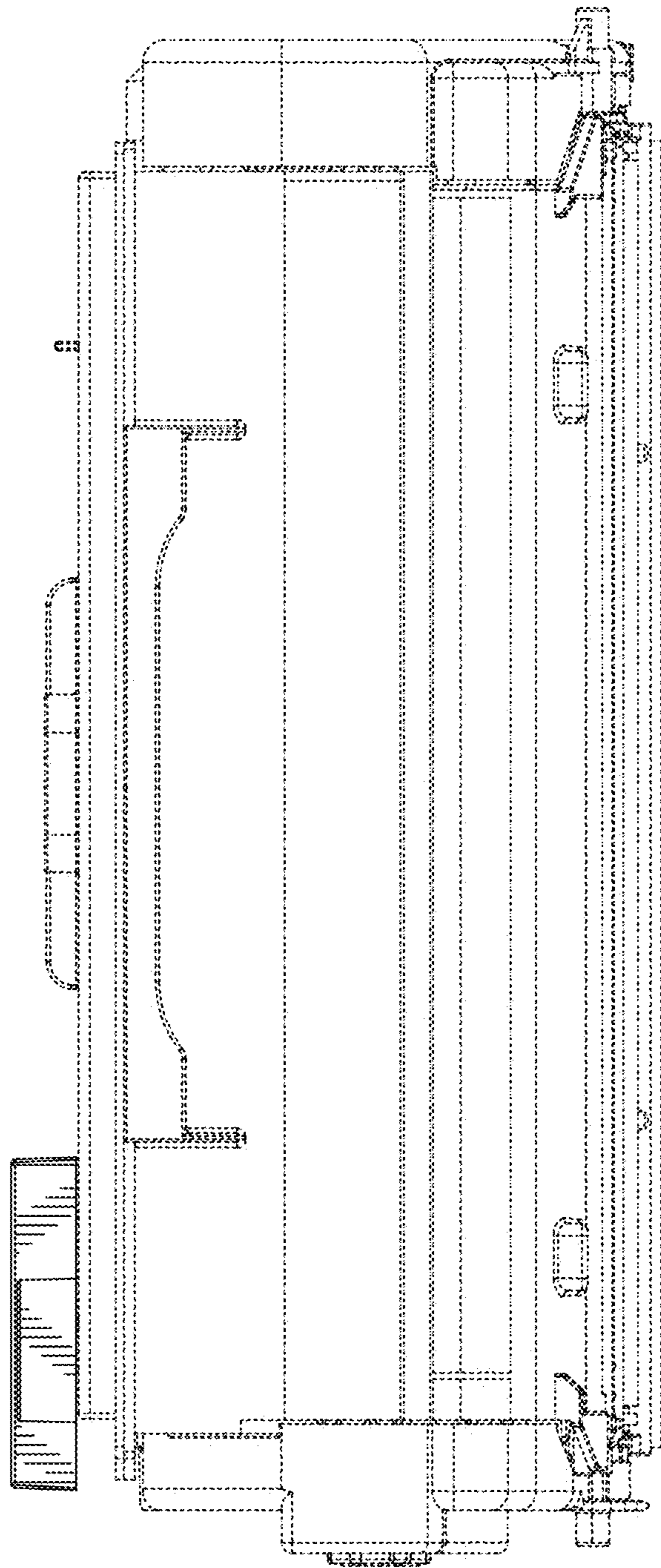


FIG. 9



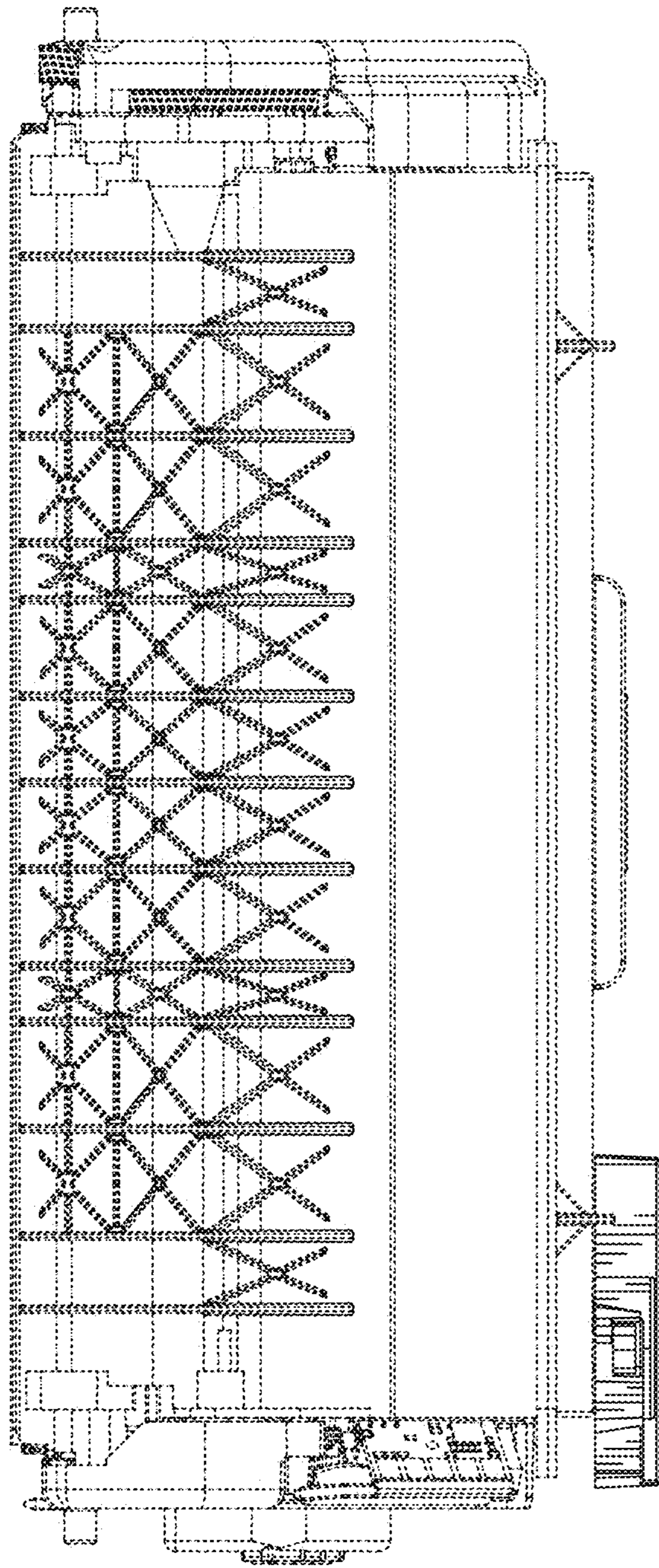


FIG. 10