



US00D936137S

(12) **United States Design Patent** (10) **Patent No.:** **US D936,137 S**
Amann et al. (45) **Date of Patent:** **** Nov. 16, 2021**

(54) **TONER CARTRIDGE**

(71) Applicant: **LEXMARK INTERNATIONAL, INC.**, Lexington, KY (US)

(72) Inventors: **Mark William Amann**, Lexington, KY (US); **Brian Lester Boettcher**, Versailles, KY (US); **James Anthony Carter, II**, Lexington, KY (US); **Jay Scott Siekmann**, Nicholasville, KY (US)

(73) Assignee: **Lexmark International, Inc.**, Lexington, KY (US)

(**) Term: **15 Years**

(21) Appl. No.: **29/687,971**

(22) Filed: **Apr. 17, 2019**

(51) **LOC (13) Cl.** **16-03**

(52) **U.S. Cl.**
USPC **D18/43**

(58) **Field of Classification Search**

USPC D15/122, 135–138, 141, 66, 73, 76–78, D15/146, 150, 143, 89; D18/53, 59, 50, D18/14, 19, 54–57, 36–45, 34.4, 34.5, D18/34.6, 18, 51, 34.1; D14/301–303, D14/307, 345, 420–425, 462; D6/691.4, D6/675, 708, 671, 520–523, 580; D34/35, 29, 1; D7/700, 554.3, 637; D3/304, 313; D9/424; D8/313, 314, D8/301, 380, 382, 358, 354; D10/119.1; D32/19, 25, 32, 21; D4/128, 102, 122; D25/157, 160, 162, 119; D19/1, 5, 113, D19/190, 191, 104, 107, 192, 202, 99, D19/100

CPC G03G 15/08; G03G 15/0891; G03G 15/0875; G03G 2215/0827; G03G 2215/0855; G03G 21/1842; B41J 2/14; B41J 2/01; B41J 2/22; B41J 1/54; B41J 3/4073; B41J 3/4078; B41F 17/22; B41F 17/003; B41F 17/38; B28B 1/001; B65H 5/02

See application file for complete search history.

(56) **References Cited**

U.S. PATENT DOCUMENTS

6,463,233 B2 * 10/2002 Kojima G03G 21/185
399/111
6,954,601 B2 * 10/2005 Numagami G03G 21/185
399/107
D550,765 S * 9/2007 Ishikawa D18/43
(Continued)

OTHER PUBLICATIONS

U.S. Appl. No. 29/687,975, filed Apr. 17, 2019 (Amann et al.).
(Continued)

Primary Examiner — Dana K Weiland

Assistant Examiner — Mary Claire Ramirez

(74) *Attorney, Agent, or Firm* — Justin M. Tromp

(57) **CLAIM**

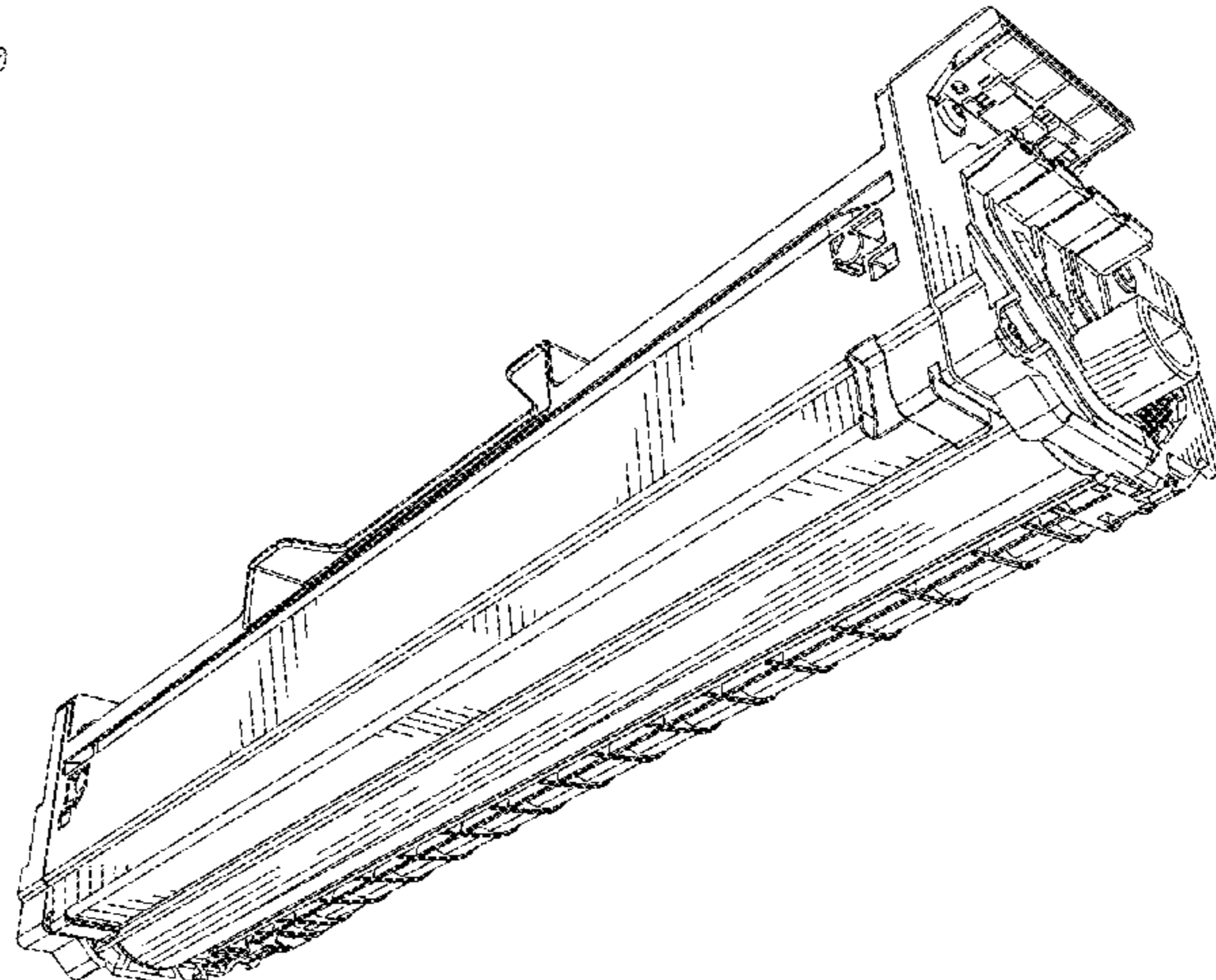
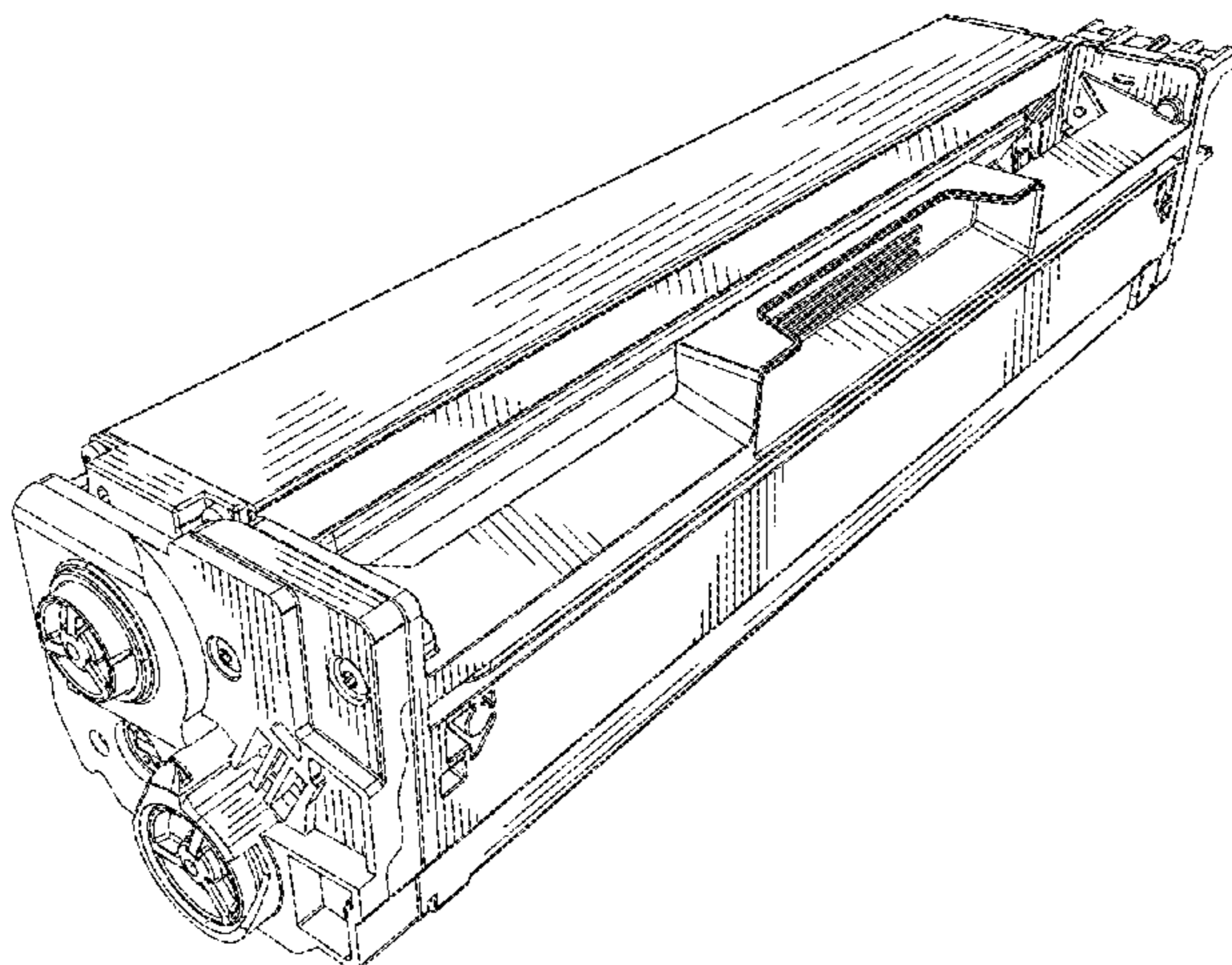
The ornamental design for a toner cartridge, as shown and described.

DESCRIPTION

FIG. 1 is a left, front, top perspective view of a toner cartridge showing the new design;
 FIG. 2 is a right, rear, top perspective view thereof;
 FIG. 3 is a right, front, bottom perspective view thereof;
 FIG. 4 is a left, rear, bottom perspective view thereof;
 FIG. 5 is an elevation view of the right thereof;
 FIG. 6 is an elevation view of the left thereof;
 FIG. 7 is an elevation view of the front thereof;
 FIG. 8 is an elevation view of the rear thereof;
 FIG. 9 is a top view thereof; and,
 FIG. 10 is a bottom view thereof.

The features shown in broken lines depict portions of the toner cartridge that form no part of the claimed design.

1 Claim, 9 Drawing Sheets



(56)

References Cited

U.S. PATENT DOCUMENTS

D577,380 S * 9/2008 Saito D18/43
 7,509,071 B2 * 3/2009 Yoshimura G03G 21/1803
 399/111
 7,693,464 B2 * 4/2010 Farris G03G 15/0896
 399/262
 D653,283 S * 1/2012 Eto D18/43
 D705,349 S * 5/2014 Choi D18/43
 D791,224 S 7/2017 Toba et al.
 D791,862 S 7/2017 Toba et al.
 10,474,093 B1 * 11/2019 Amann G03G 21/1676
 10,962,905 B1 * 3/2021 Boettcher G03G 15/0881
 2005/0008391 A1 * 1/2005 Ueno G03G 21/1832
 399/109
 2017/0153596 A1 * 6/2017 Takahashi G03G 15/0863
 2020/0133188 A1 * 4/2020 Amann G03G 21/1857
 2020/0142348 A1 * 5/2020 Amann G03G 21/1676
 2021/0011397 A1 * 1/2021 Abler G03G 15/169
 2021/0011422 A1 * 1/2021 Hawes G03G 21/186
 2021/0063955 A1 * 3/2021 Boettcher G03G 21/1676
 2021/0116844 A1 * 4/2021 Boettcher G03G 15/0881
 2021/0181656 A1 * 6/2021 Boettcher G03G 15/0817

OTHER PUBLICATIONS

U.S. Appl. No. 29/687,978, filed Apr. 17, 2019 (Amann et al.).
 U.S. Appl. No. 29/687,982, filed Apr. 17, 2019 (Amann et al.).
 U.S. Appl. No. 29/721,461, filed Jan. 21, 2020 (Amann et al.).
 U.S. Appl. No. 29/721,483, filed Jan. 21, 2020 (Amann et al.).

* cited by examiner

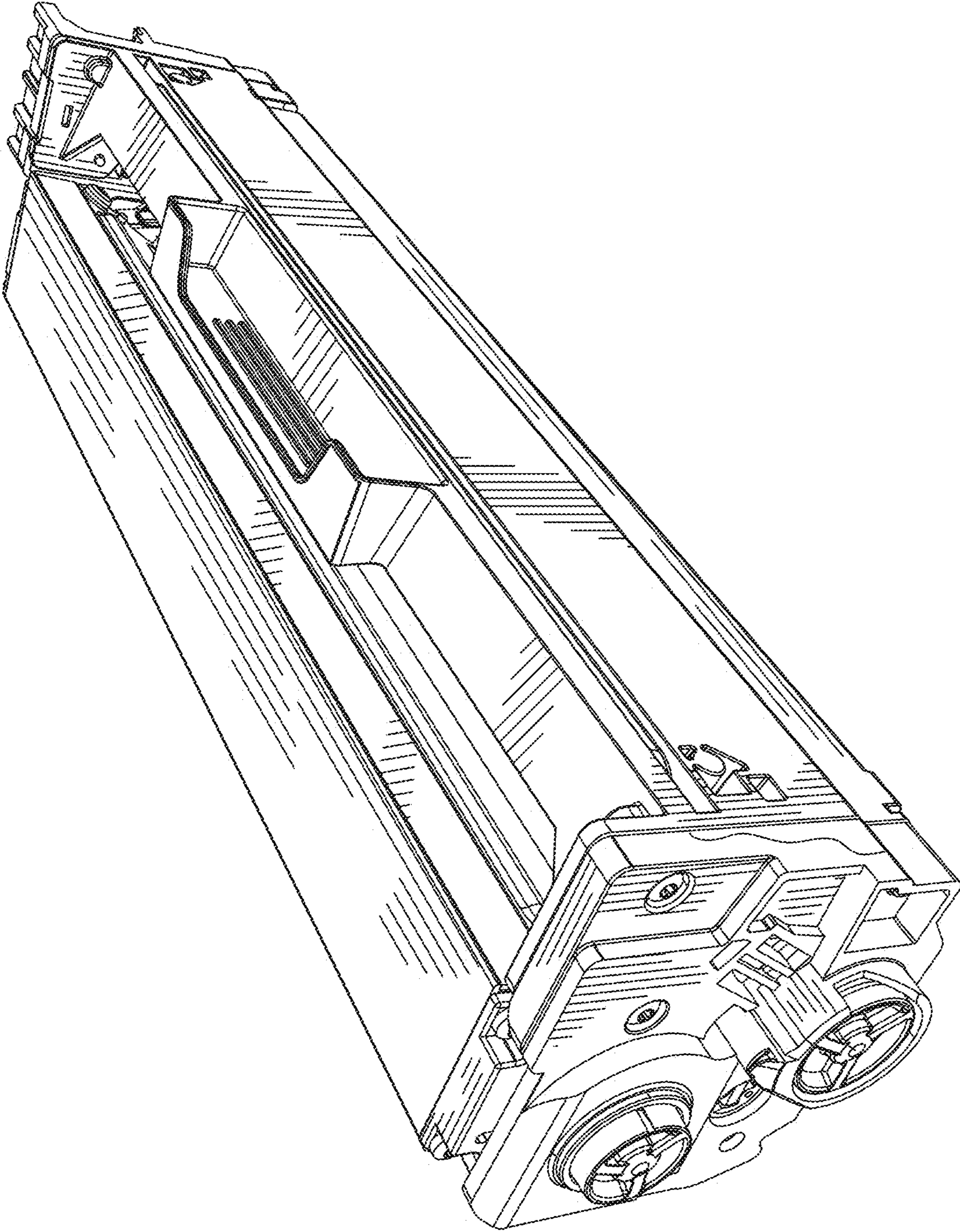


FIG. 1

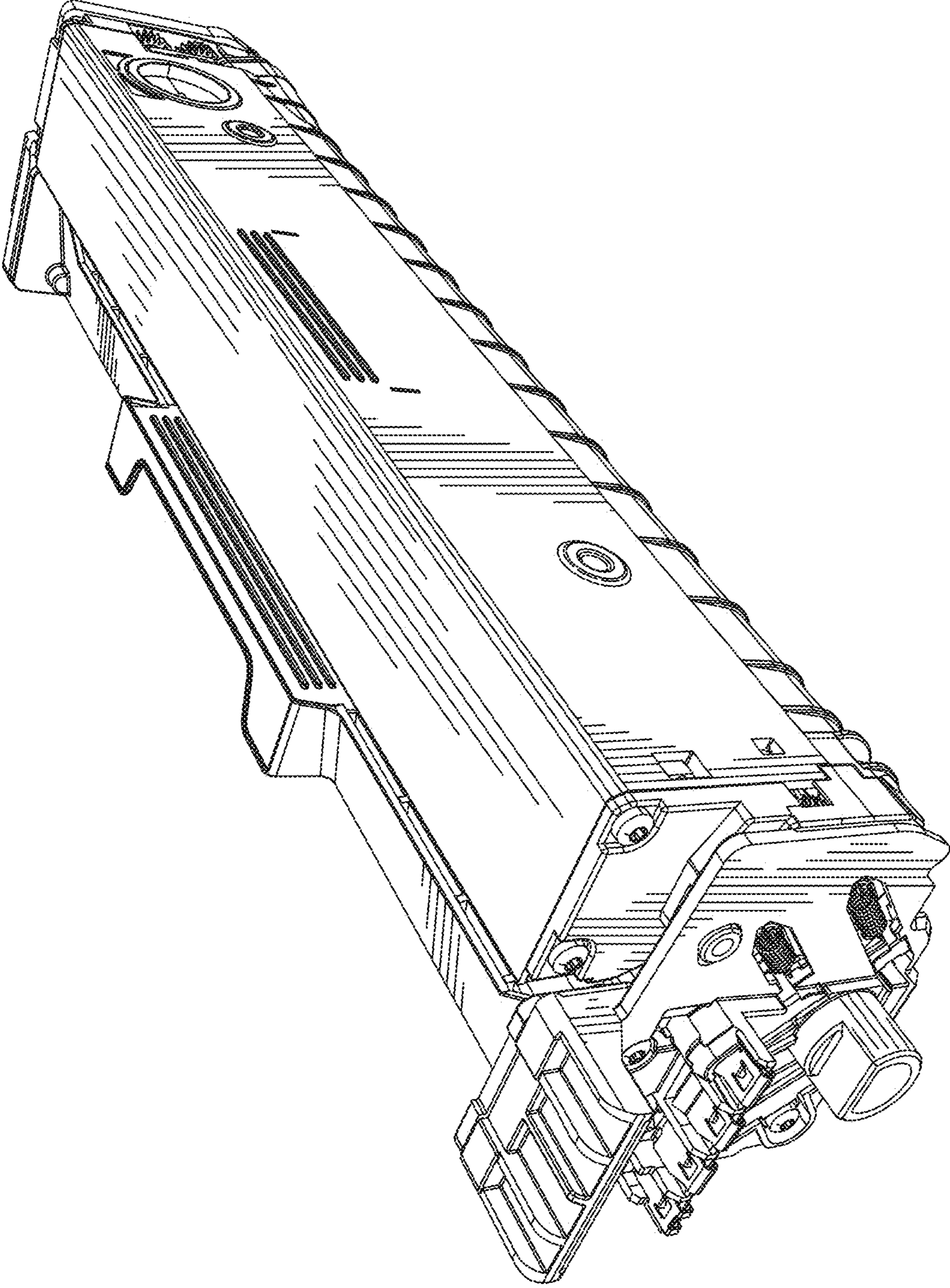


FIG. 2

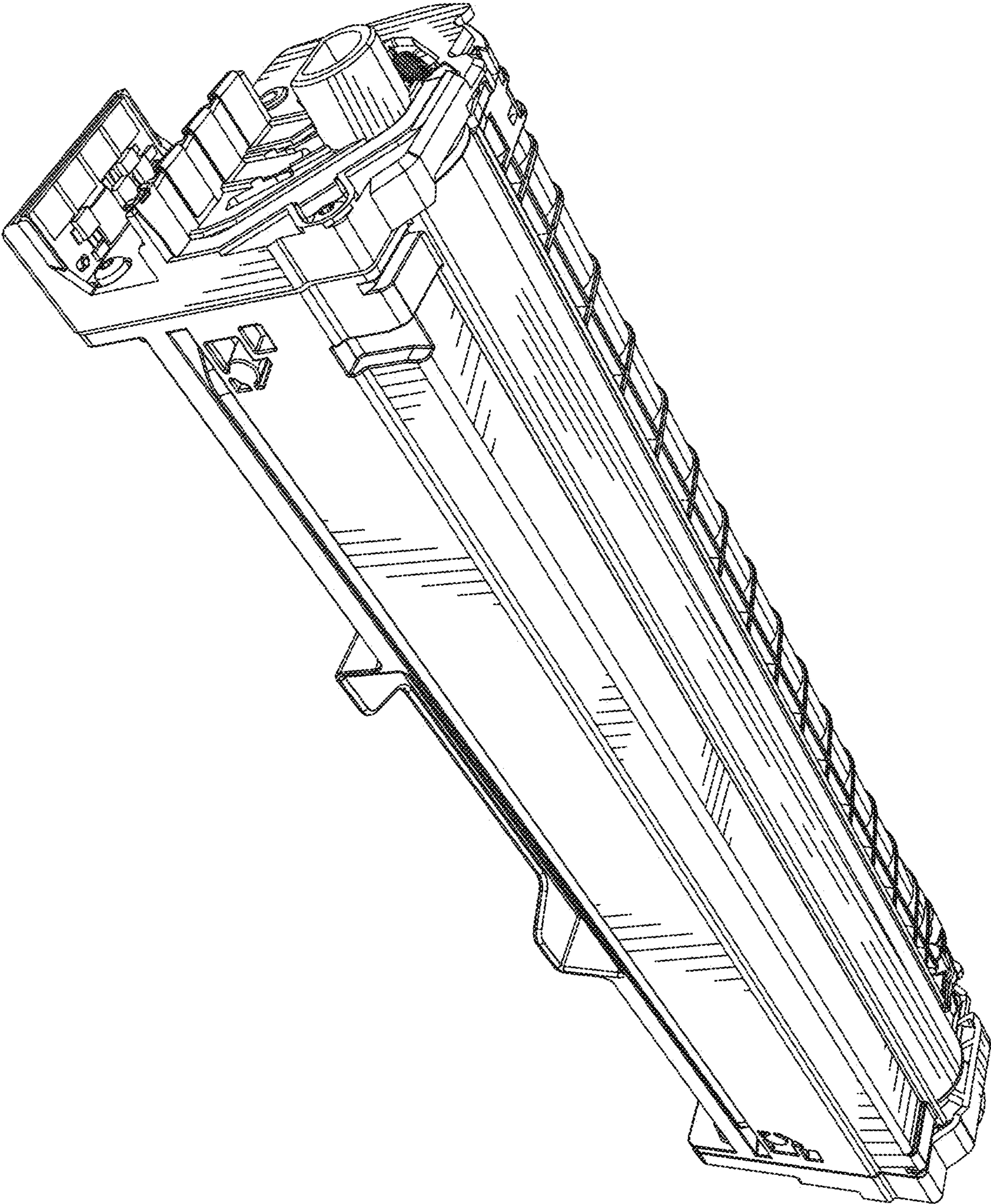


FIG. 3

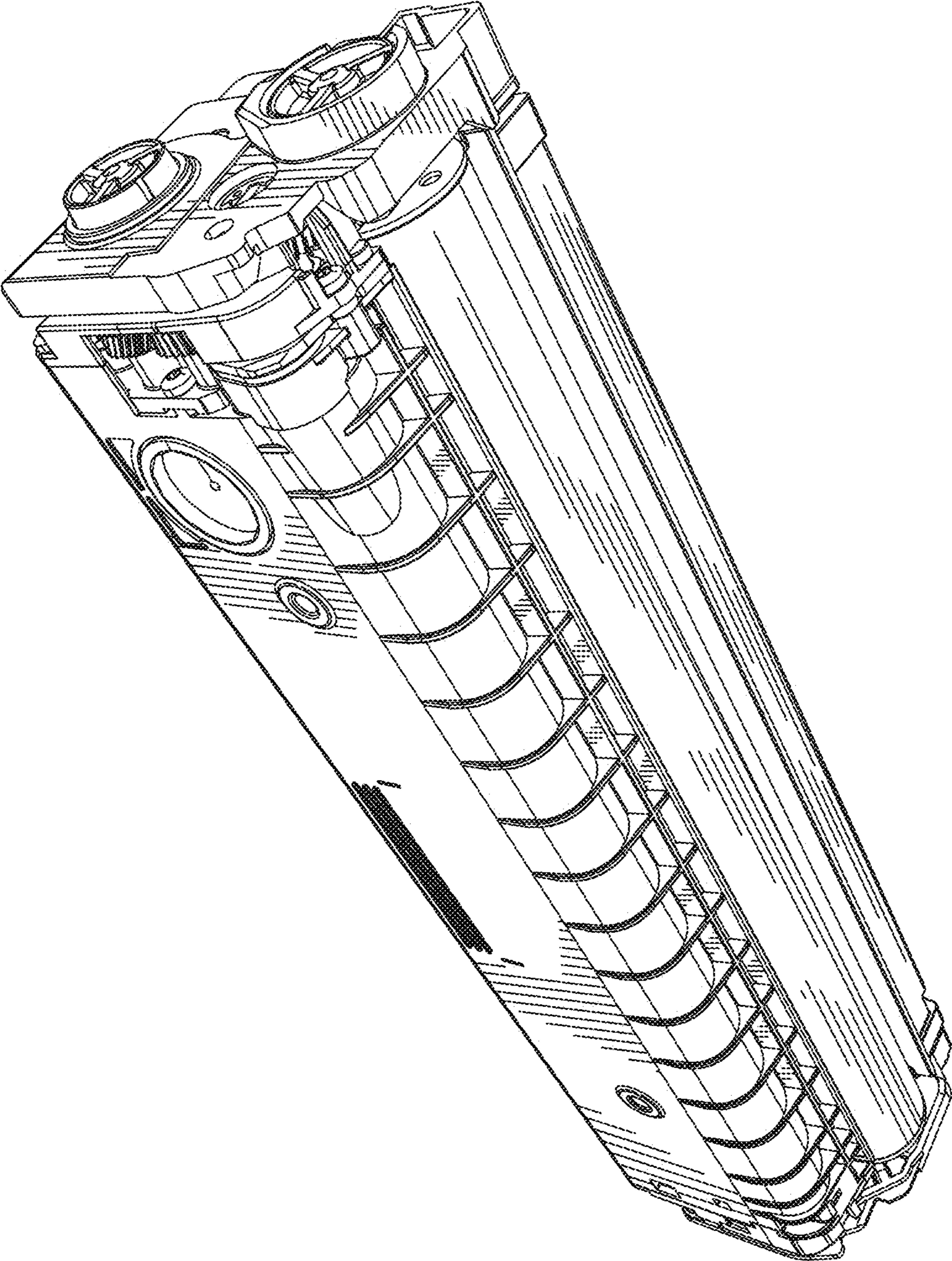


FIG. 4

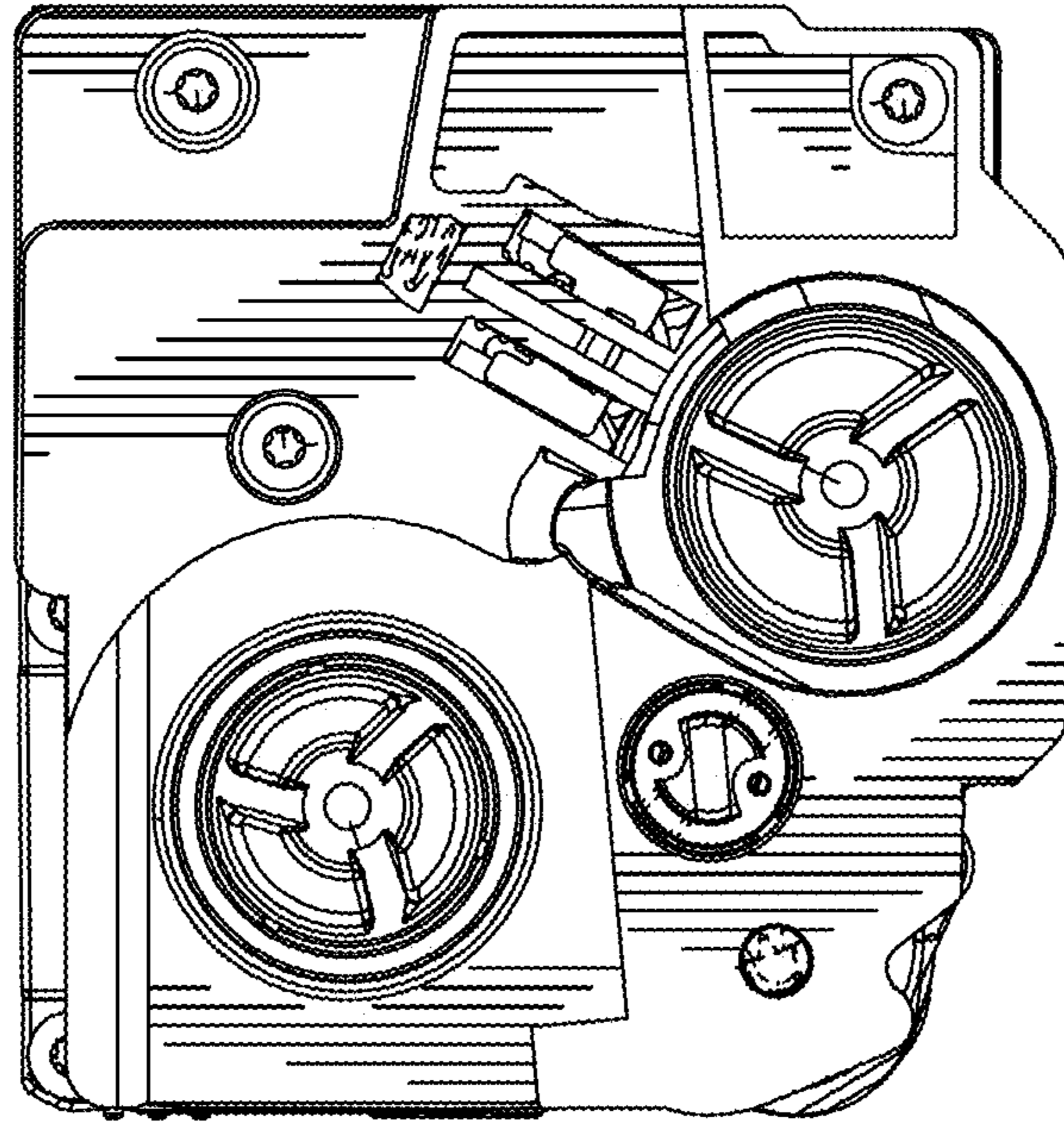


FIG. 6

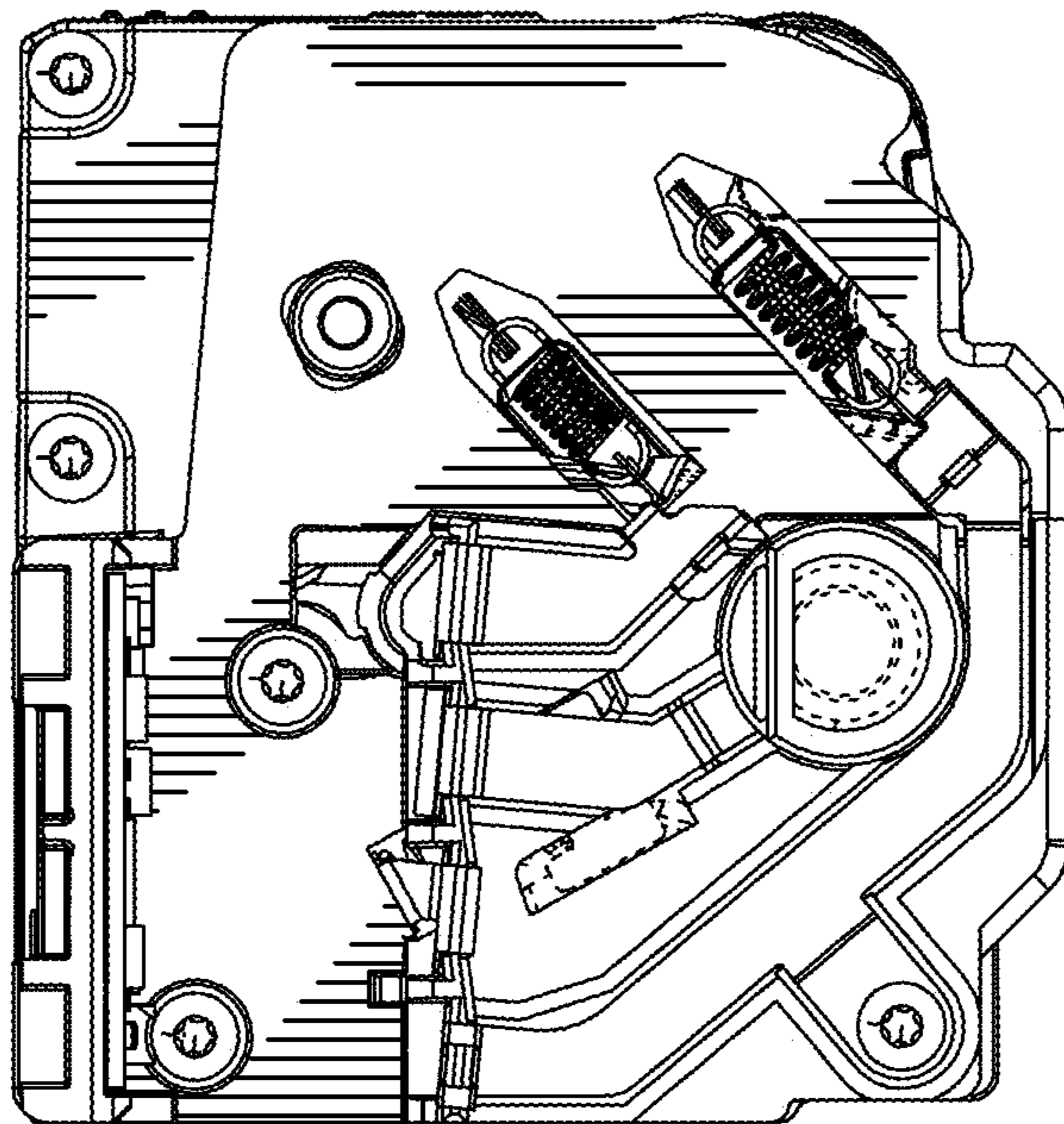


FIG. 5

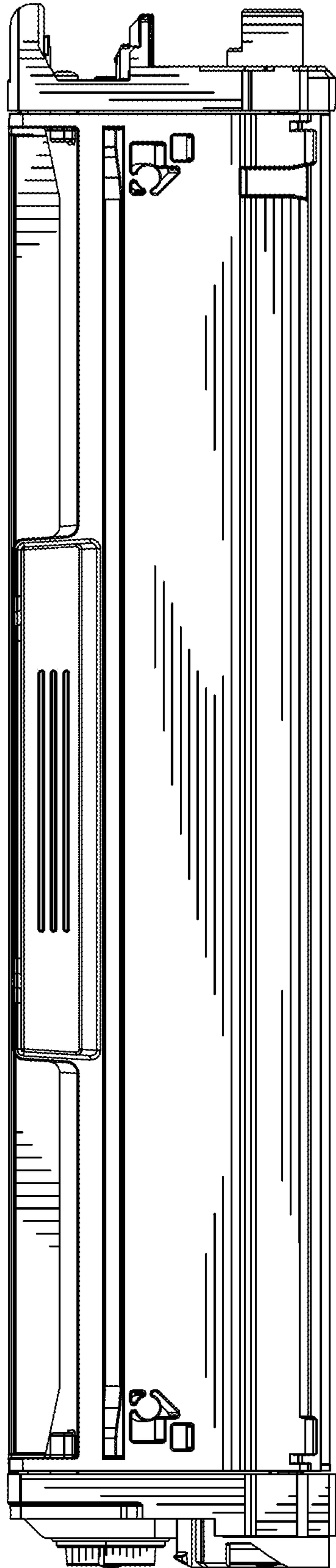


FIG. 7

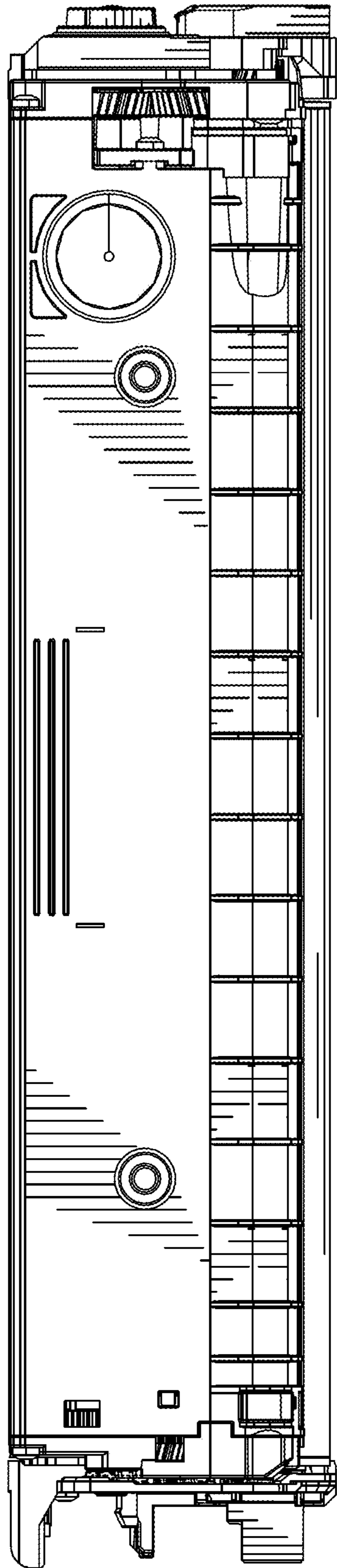


FIG. 8

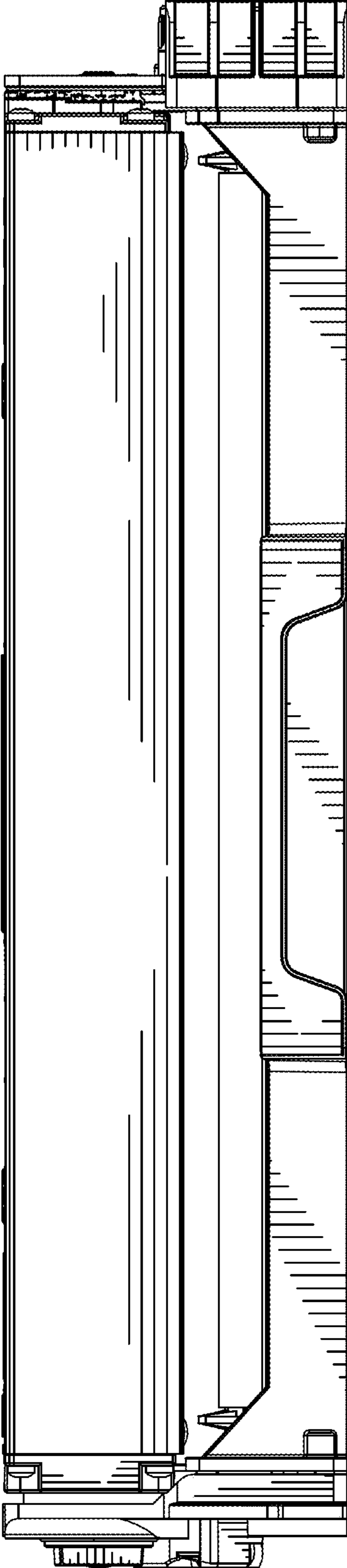


FIG. 9

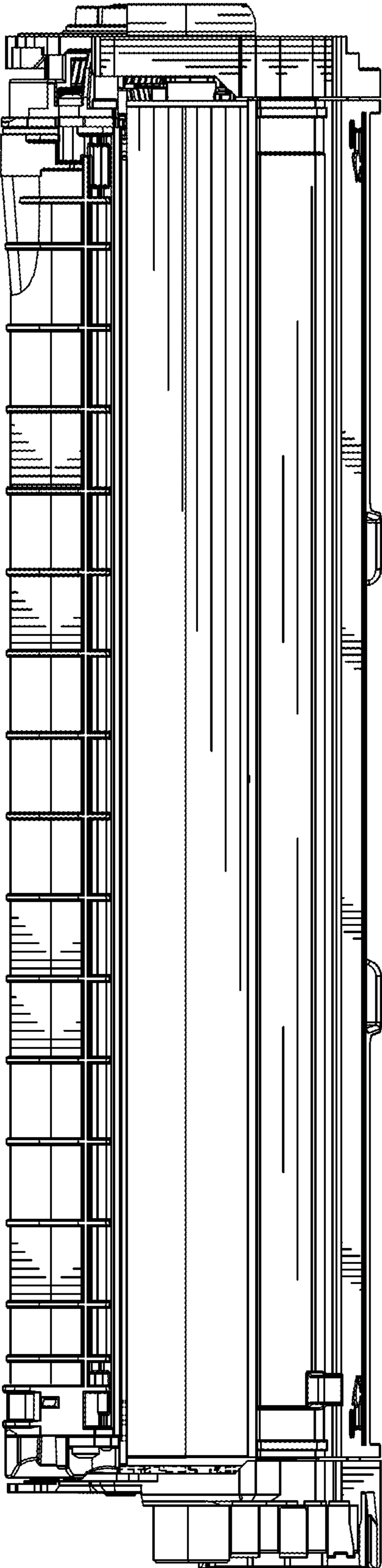


FIG. 10