



US00D936136S

(12) **United States Design Patent** (10) **Patent No.:** **US D936,136 S**
Eun (45) **Date of Patent:** **** Nov. 16, 2021**

(54) **FOLDABLE POS APPARATUS**

(71) Applicant: **POSBANK CO., LTD.**, Seoul (KR)
(72) Inventor: **Dong-Uk Eun**, Gwangmyeong-si (KR)
(73) Assignee: **POSBANK CO., LTD.**, Seoul (KR)
(**) Term: **15 Years**
(21) Appl. No.: **29/723,471**

(22) Filed: **Feb. 7, 2020**

(30) **Foreign Application Priority Data**

Jan. 7, 2020 (KR) 30-2020-0000609

(51) **LOC (13) Cl.** **18-01**

(52) **U.S. Cl.**
USPC **D18/4.5**

(58) **Field of Classification Search**
USPC D18/4.4, 4.5, 4.6, 2, 11, 12, 12.3, 50, 14,
D18/19-21, 54, 99, 4.1, 4.3; D14/300,
D14/307, 314, 328, 332-340, 356, 383,
D14/385, 386, 434, 447, 451, 453, 457,
D14/496, 168, 299, 900, 902, 371, 125,
D14/126, 129, 216, 341; D20/1, 8, 9;
D99/28, 43; D24/185, 186
CPC G06F 1/1601; G06F 1/1692; G06Q 20/00;
G06Q 20/08; G06Q 20/20; G06Q 20/204;
G06Q 20/18; G07F 7/0873; G07F 7/088;
G07F 7/0886; G07F 7/0893; G07G
1/0009; G07G 1/0018

See application file for complete search history.

(56) **References Cited**

U.S. PATENT DOCUMENTS

4,438,458 A * 3/1984 Munscher G06F 1/1601
348/838
D319,435 S * 8/1991 Brown D14/336

(Continued)

FOREIGN PATENT DOCUMENTS

CN 211454740 U * 9/2020

Primary Examiner — Marie D. Fast Horse

(74) *Attorney, Agent, or Firm* — Revolution IP, PLLC

(57) **CLAIM**

The ornamental design for a foldable POS apparatus, as shown and described.

DESCRIPTION

FIG. 1 is a perspective view of a foldable POS (Point of Sale) apparatus showing the claimed design in the first position;

FIG. 2 is a front view thereof;

FIG. 3 is a rear view thereof;

FIG. 4 is a left side view thereof;

FIG. 5 is a right side view thereof;

FIG. 6 is a top view thereof;

FIG. 7 is a bottom view thereof;

FIG. 8 is a perspective view of the foldable POS apparatus showing the claimed design in the second position;

FIG. 9 is a front view of FIG. 8;

FIG. 10 is a rear view of FIG. 8;

FIG. 11 is a left side view of FIG. 8;

FIG. 12 is a right side view of FIG. 8;

FIG. 13 is a top view of FIG. 8;

FIG. 14 is a bottom view of FIG. 8;

FIG. 15 is a perspective view of the foldable POS apparatus showing the claimed design in the third position;

FIG. 16 is a front view of FIG. 15;

FIG. 17 is a rear view of FIG. 15;

FIG. 18 is a left side view of FIG. 15;

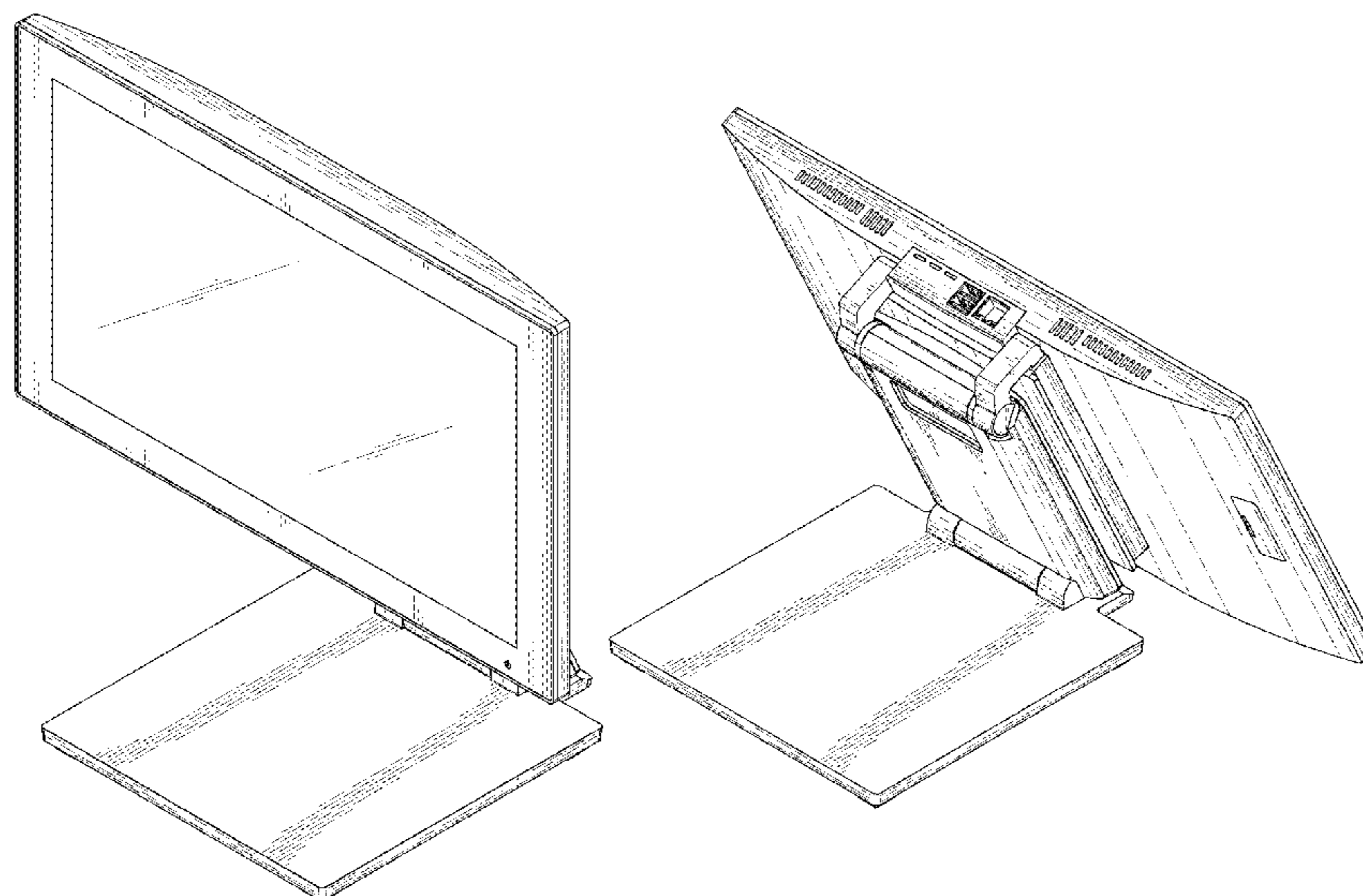
FIG. 19 is a right side view of FIG. 15;

FIG. 20 is a top view of FIG. 15; and,

FIG. 21 is a bottom view of FIG. 15.

The broken lines in FIGS. 3 and 17 show portions of the foldable POS apparatus and form no part of the claimed design.

1 Claim, 21 Drawing Sheets



(56)

References Cited

U.S. PATENT DOCUMENTS

D321,172 S * 10/1991 Moore, IV D14/389
 D357,495 S * 4/1995 Skaggs D14/336
 D360,196 S * 7/1995 Cox D18/4.5
 D383,739 S * 9/1997 Gilgen D14/126
 6,031,714 A * 2/2000 Ma G06F 1/1601
 248/918
 D438,862 S * 3/2001 Brandenburg D14/336
 D504,426 S * 4/2005 Shoda G06F 1/1601
 D14/336
 D532,387 S * 11/2006 Lukic D14/126
 D533,155 S * 12/2006 Nakata D14/126
 D537,079 S * 2/2007 Park D14/375
 D540,797 S * 4/2007 Chen D14/336
 D554,639 S * 11/2007 Kim D14/375
 D578,087 S * 10/2008 Yokota D14/126
 D590,785 S * 4/2009 Yokota D14/126
 D599,756 S * 9/2009 Yokota D14/126
 7,609,507 B2 * 10/2009 Sakata F16M 11/10
 248/176.1
 D619,133 S * 7/2010 Bucsa D14/314
 D676,900 S * 2/2013 Ohno D18/4.4
 D680,108 S * 4/2013 Kumagai D14/336
 D695,244 S * 12/2013 Wolff D14/126
 D697,064 S * 1/2014 Chen D14/336
 D703,631 S * 4/2014 Hallar D14/129
 D706,864 S * 6/2014 Branck D18/4.6
 D707,288 S * 6/2014 Branck D18/4.6
 D713,447 S * 9/2014 Balar D18/4.6
 D724,040 S * 3/2015 Chan D14/126
 D725,285 S * 3/2015 Wohlstadter D24/216
 D727,893 S * 4/2015 Lee D14/336
 D732,495 S * 6/2015 Liao D14/126

D735,802 S * 8/2015 Lyons D18/4.5
 D743,394 S * 11/2015 Chang D14/375
 D746,902 S * 1/2016 Lyons D18/4.5
 D763,255 S * 8/2016 Lee D14/371
 D772,335 S * 11/2016 Mantrawadi D18/4.6
 D778,982 S * 2/2017 Beatty D18/4.5
 9,659,466 B1 * 5/2017 Chen G06Q 20/20
 D803,827 S * 11/2017 Escolin D14/336
 D806,068 S * 12/2017 Liu D14/336
 D807,424 S * 1/2018 Chang D18/4.4
 D810,816 S * 2/2018 Chen D18/4.4
 D811,472 S * 2/2018 Chen D18/4.4
 D816,662 S * 5/2018 Haller D14/336
 D817,323 S * 5/2018 Eun D14/336
 D844,046 S * 3/2019 Yeruva D18/4.5
 D844,696 S * 4/2019 Yeruva D18/4.5
 D849,832 S * 5/2019 Baker D18/4.5
 D882,680 S * 4/2020 Eun D18/4.5
 10,747,262 B1 * 8/2020 Chiu G06F 1/1601
 D897,338 S * 9/2020 Escolin D14/336
 D902,296 S * 11/2020 Cathala D18/4.5
 D918,193 S * 5/2021 Fredette D14/307
 D920,324 S * 5/2021 Warren D14/336
 2008/0266768 A1 * 10/2008 Drew F16M 11/105
 361/679.06
 2014/0353453 A1 * 12/2014 Quijano F16M 11/2021
 248/419
 2015/0001291 A1 * 1/2015 Govindarajan G06Q 20/204
 235/380
 2015/0199668 A1 * 7/2015 Fernando G06Q 20/20
 705/14.65
 2016/0161045 A1 * 6/2016 Lee G06F 1/1601
 361/679.22
 2017/0300083 A1 * 10/2017 Park G06F 1/1601

* cited by examiner

FIG. 1

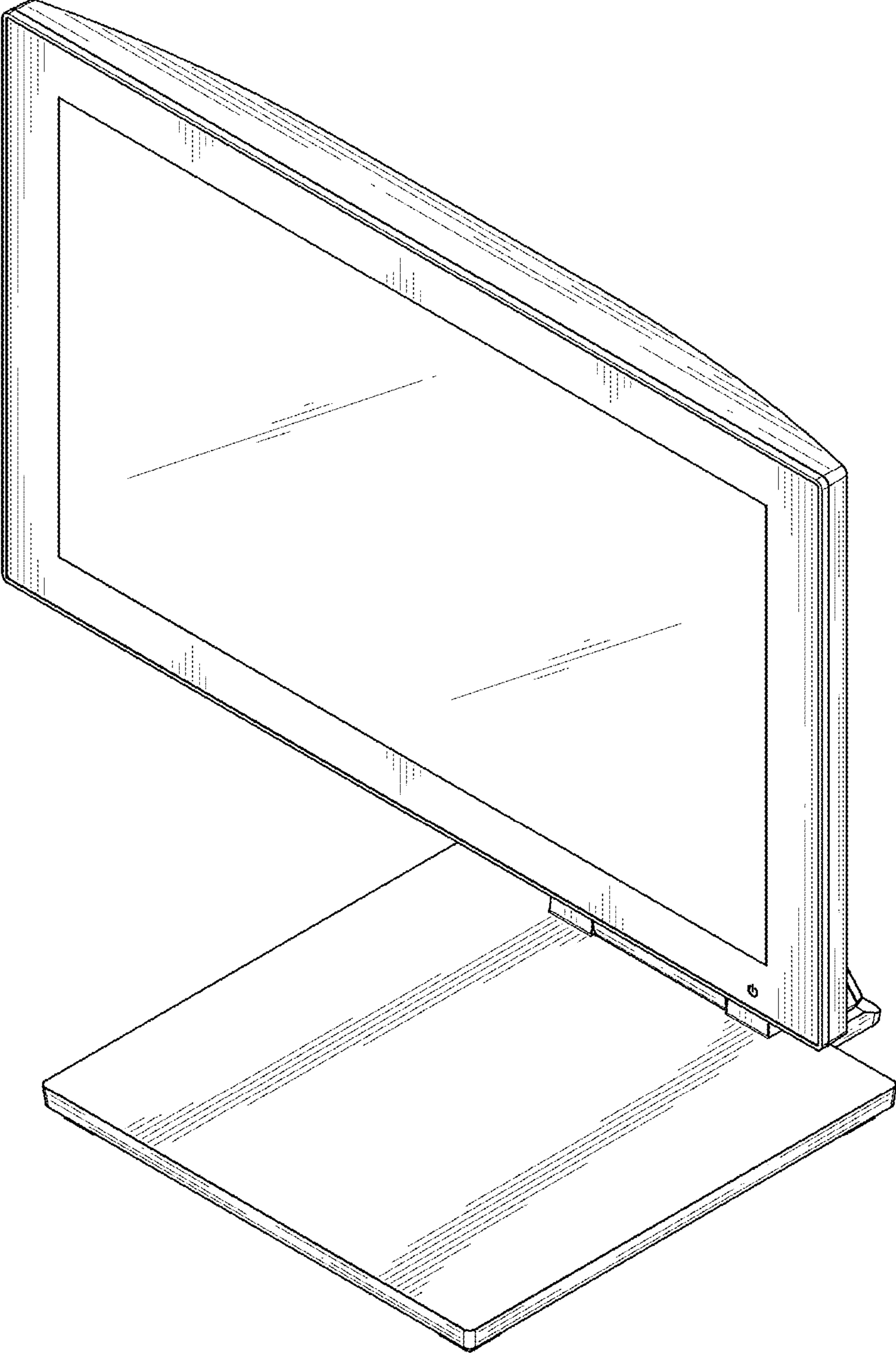


FIG. 2

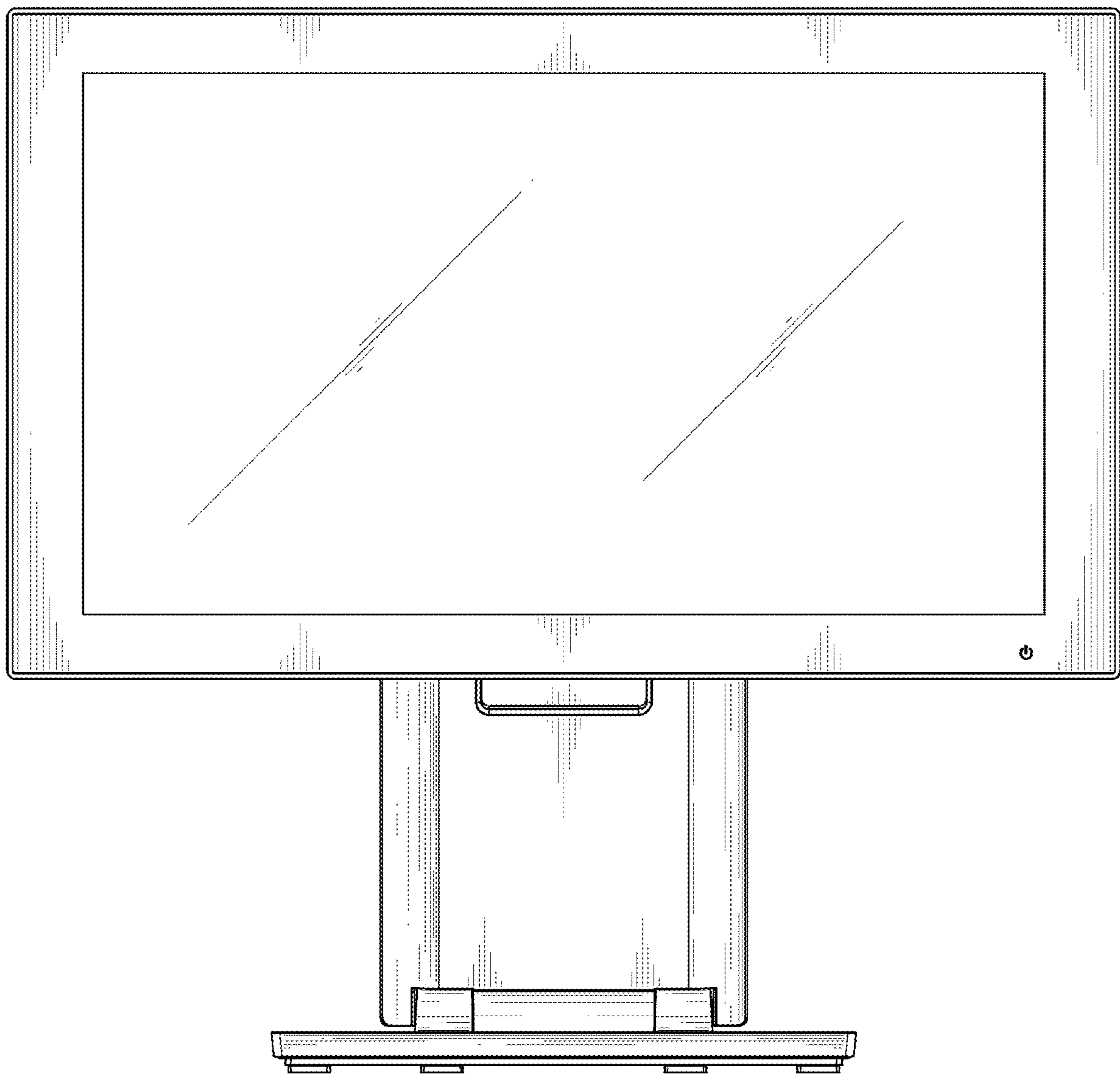


FIG. 3

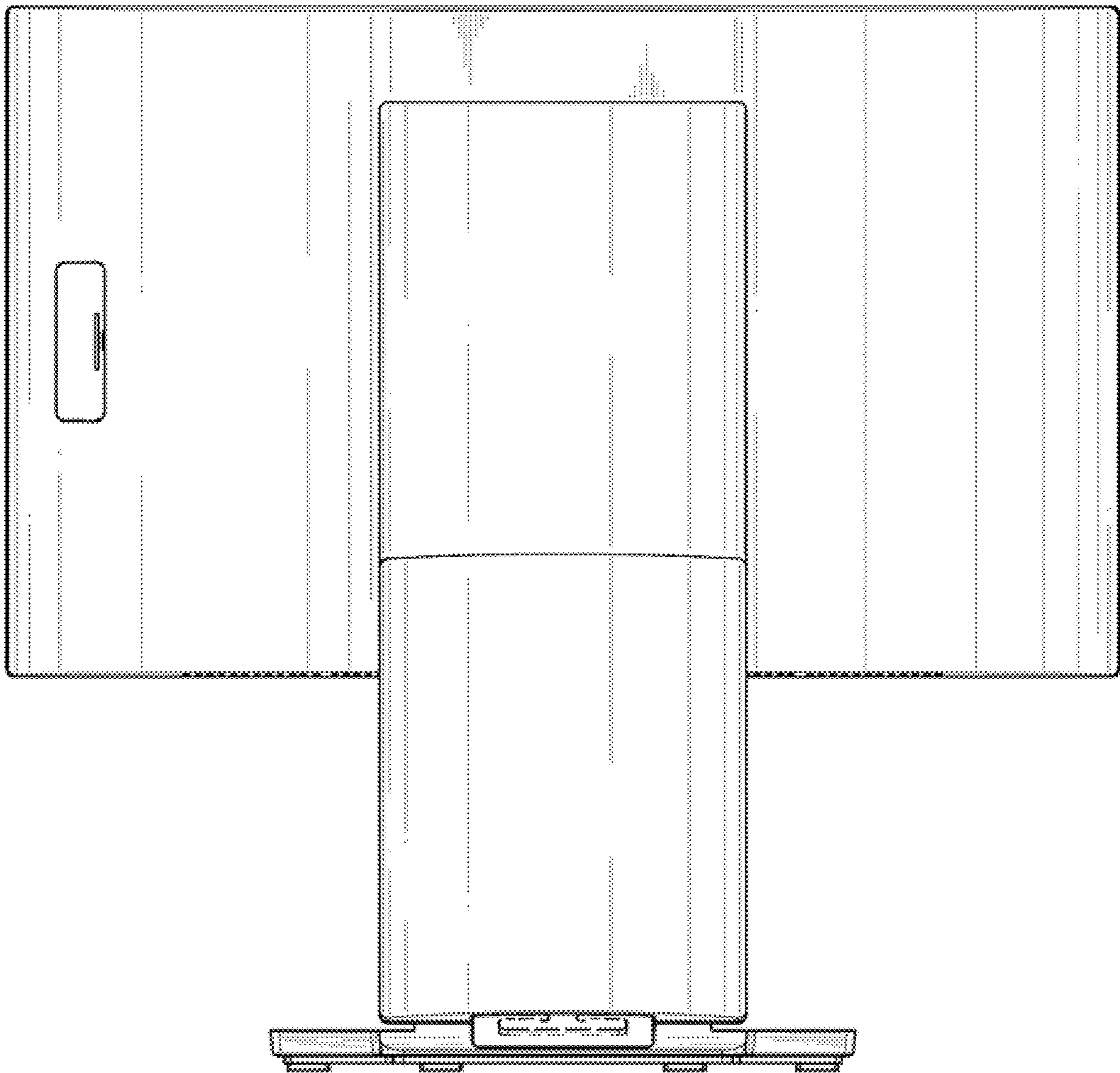


FIG. 4

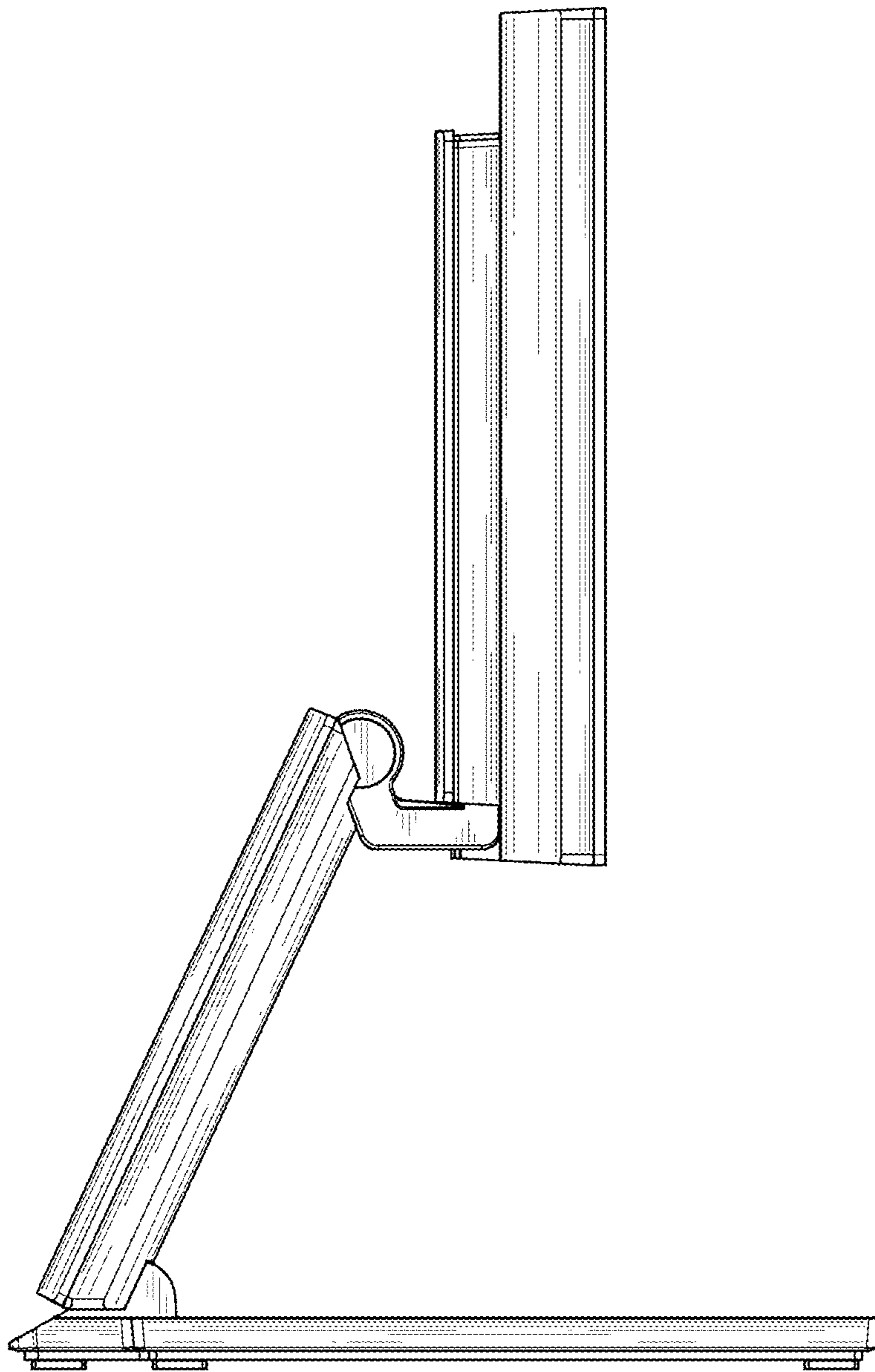


FIG. 5

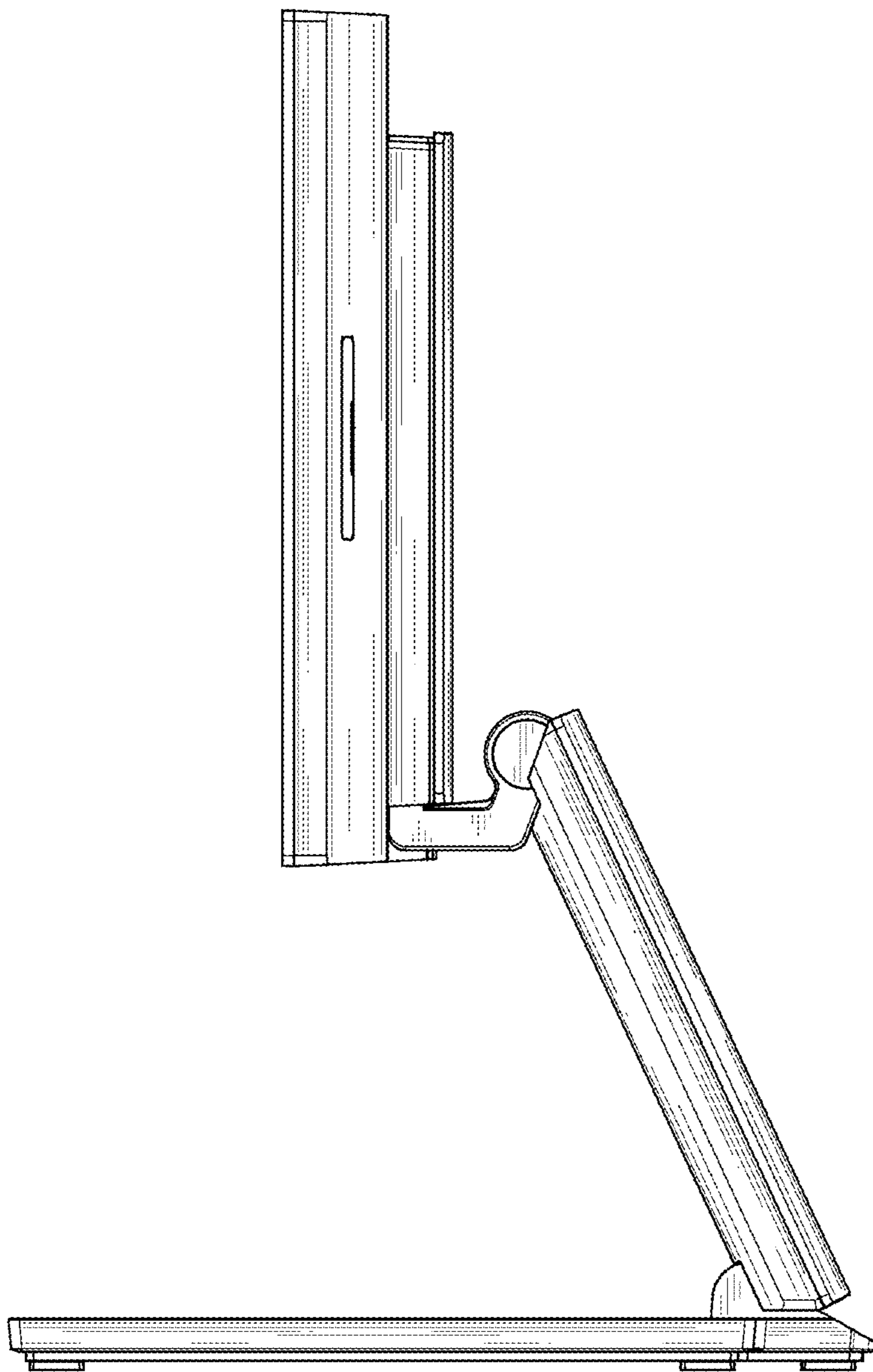


FIG. 6

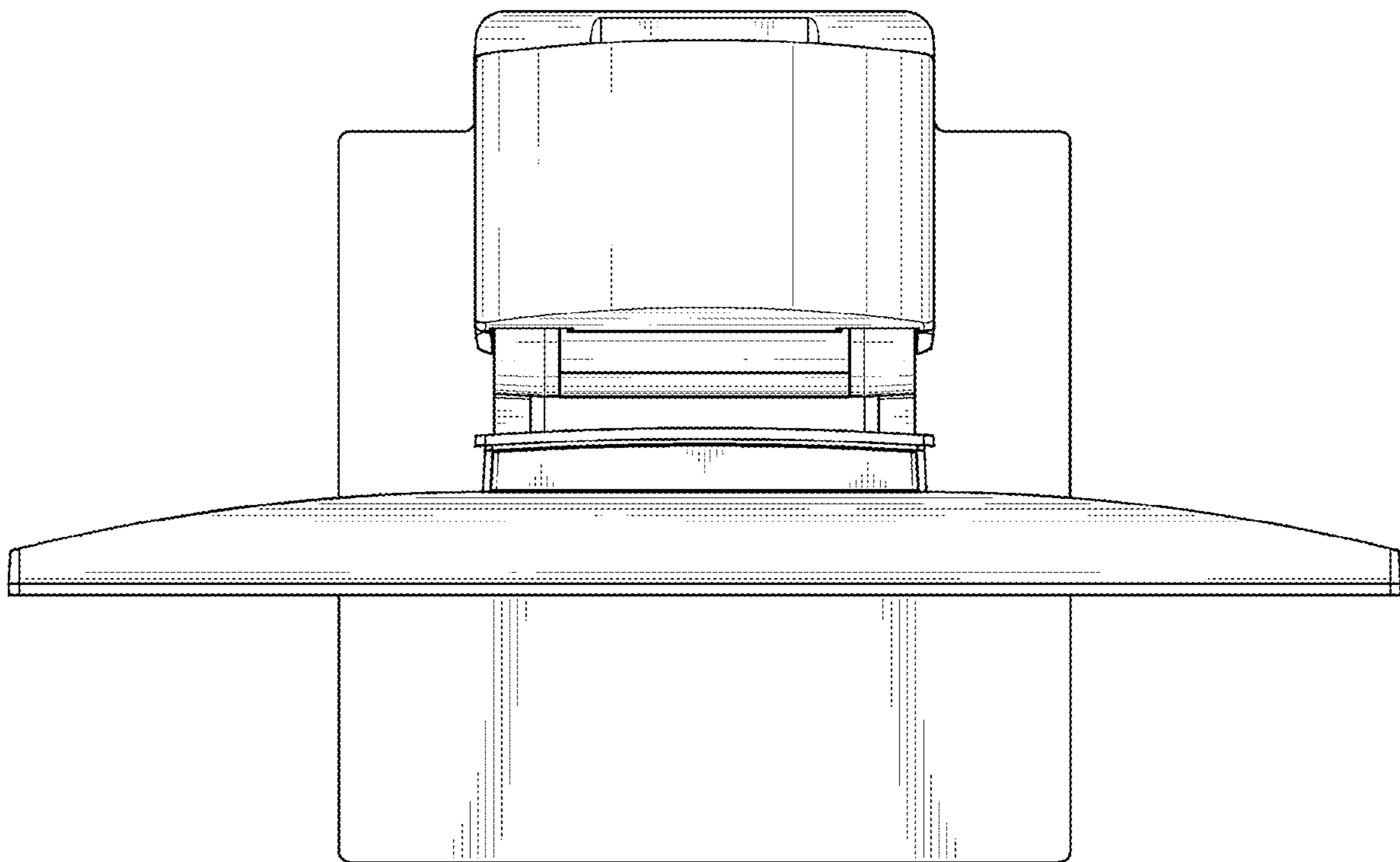


FIG. 7

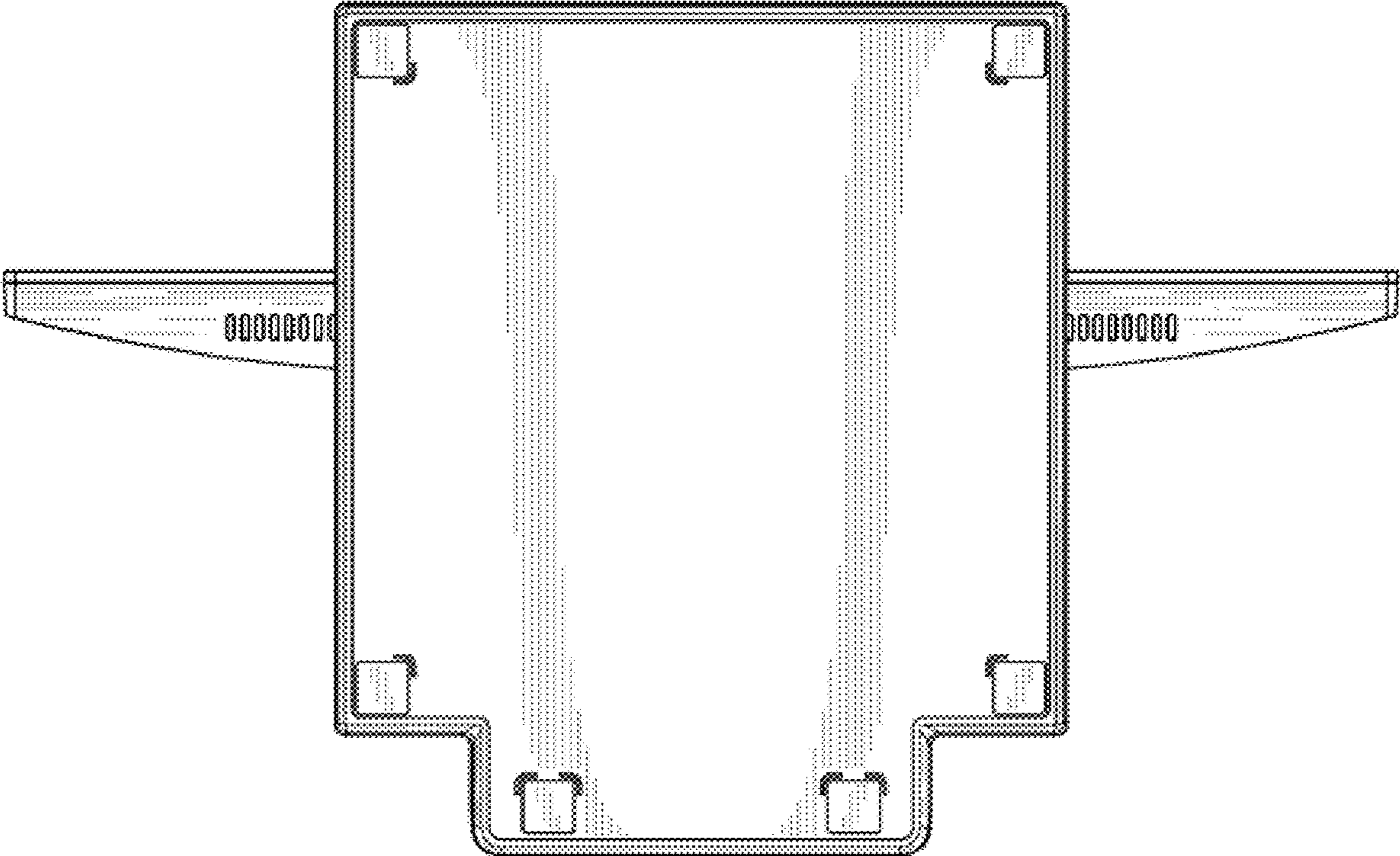


FIG. 8

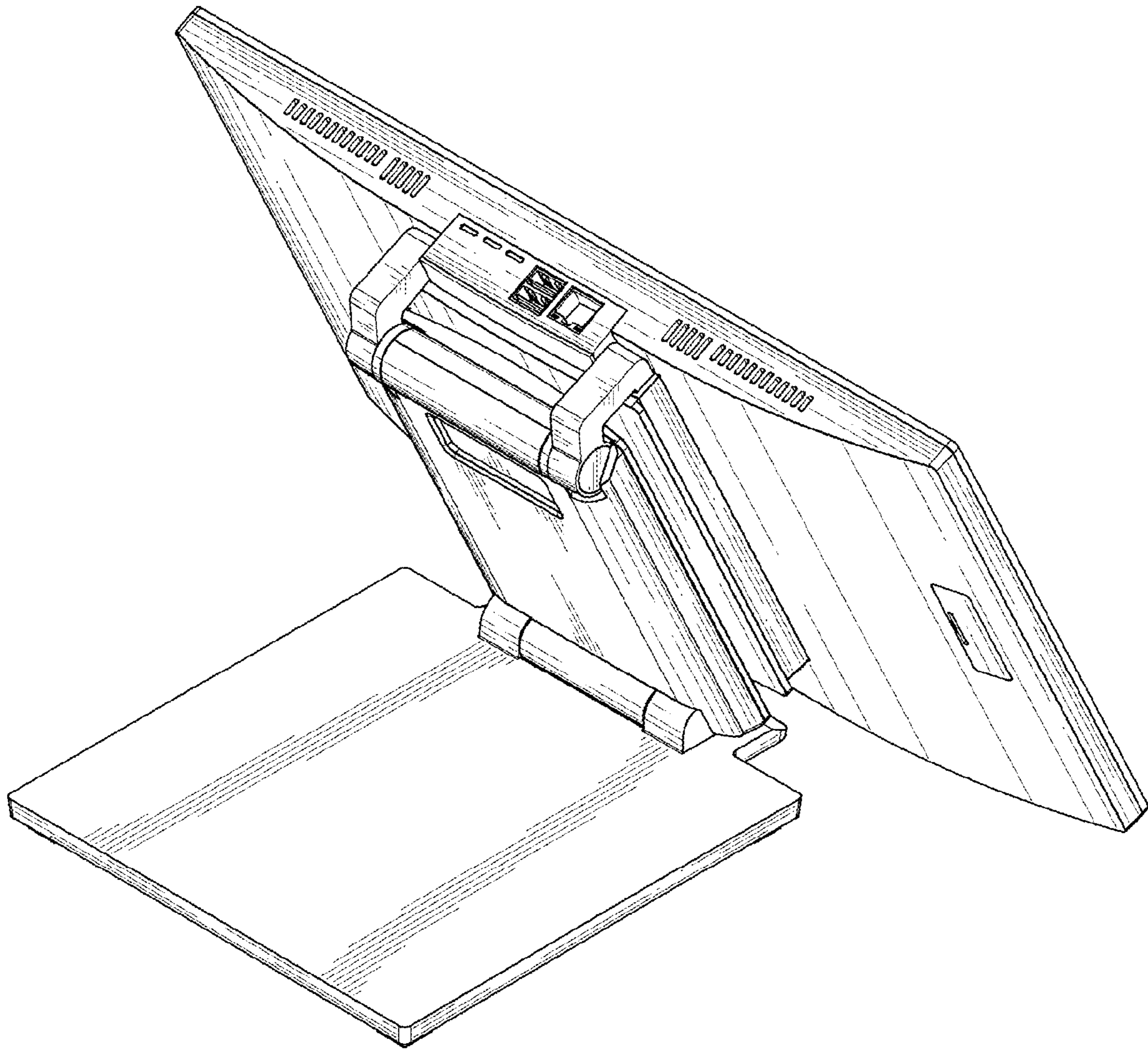


FIG. 9

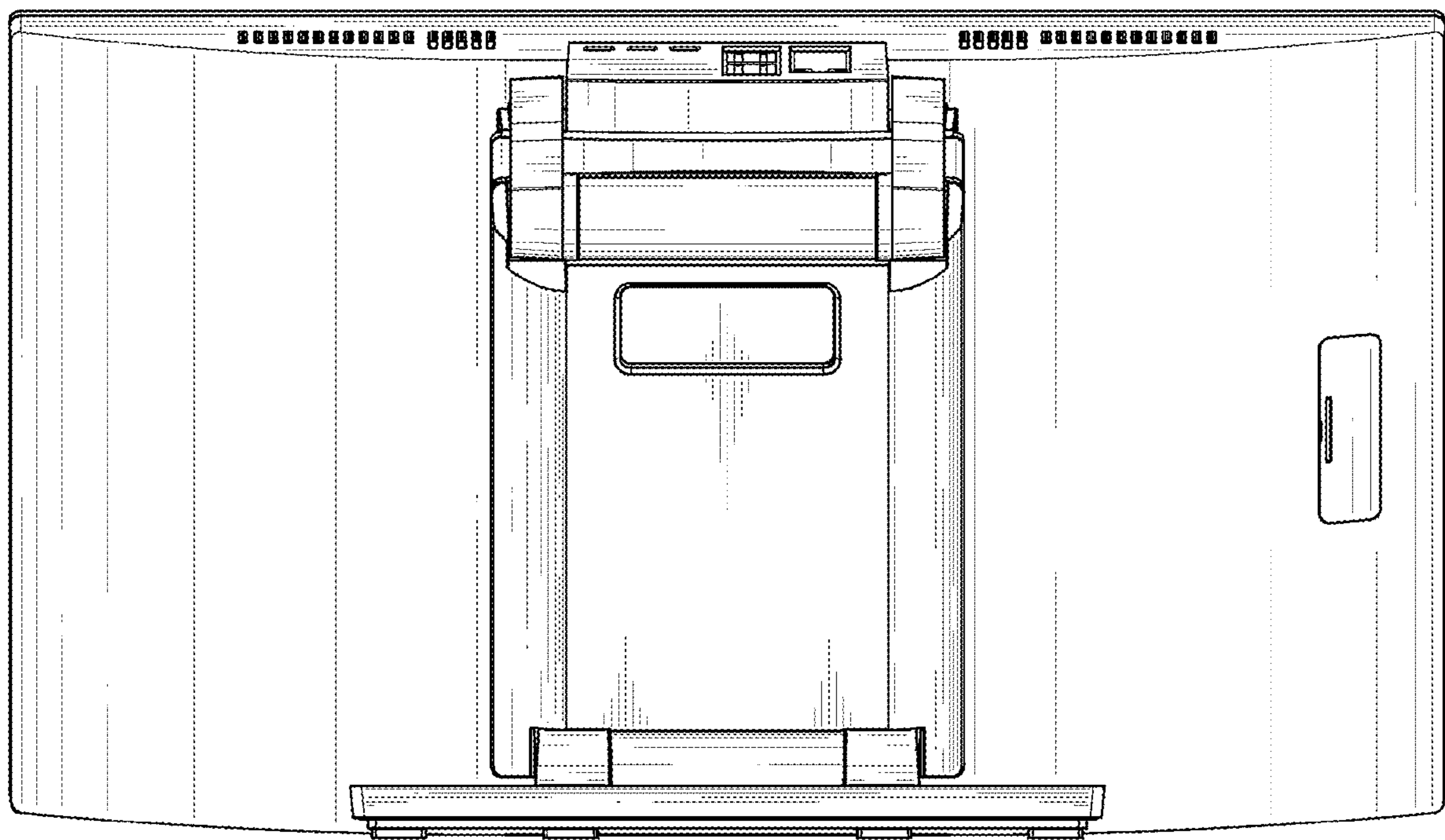


FIG. 10

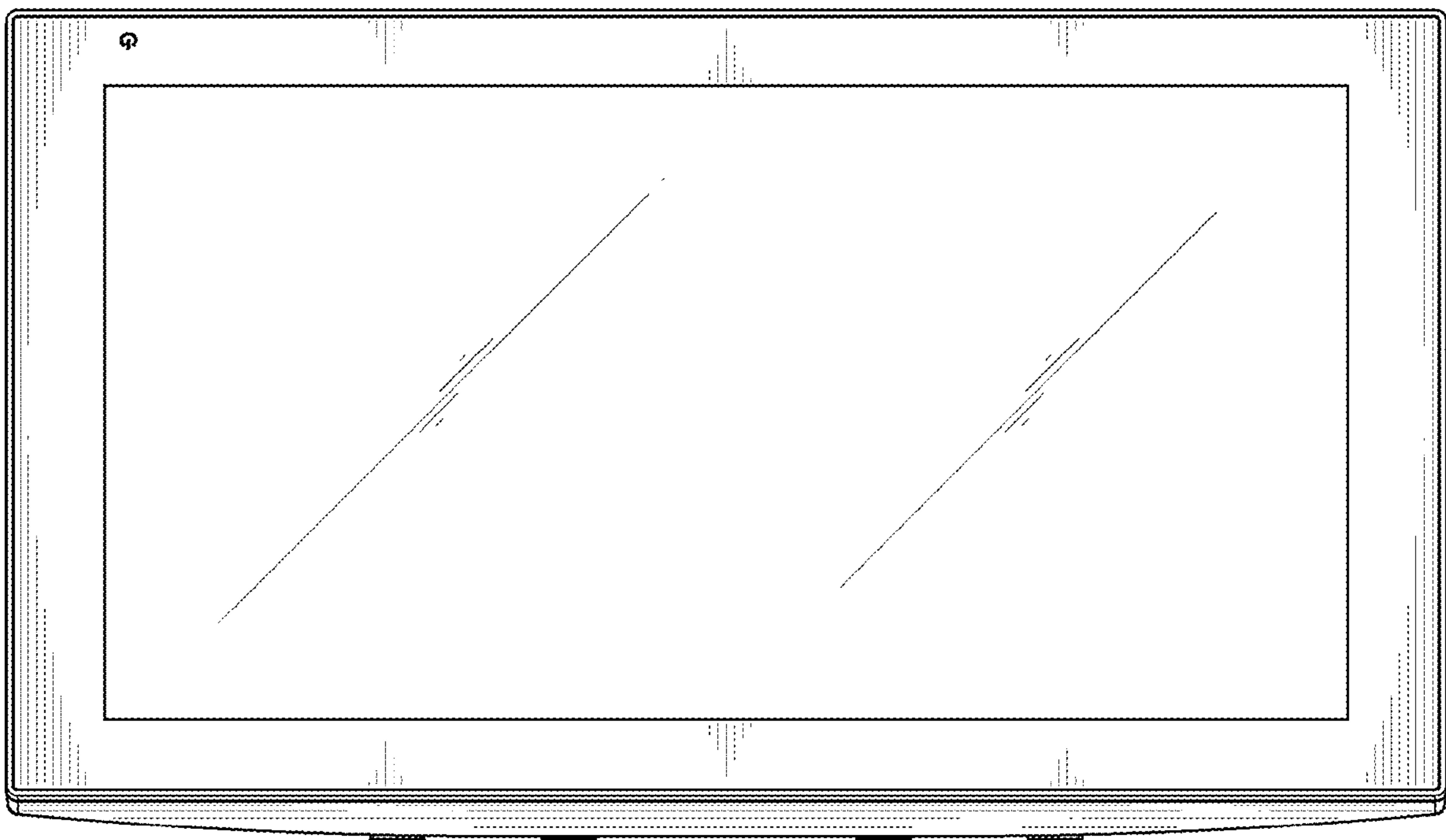


FIG. 11

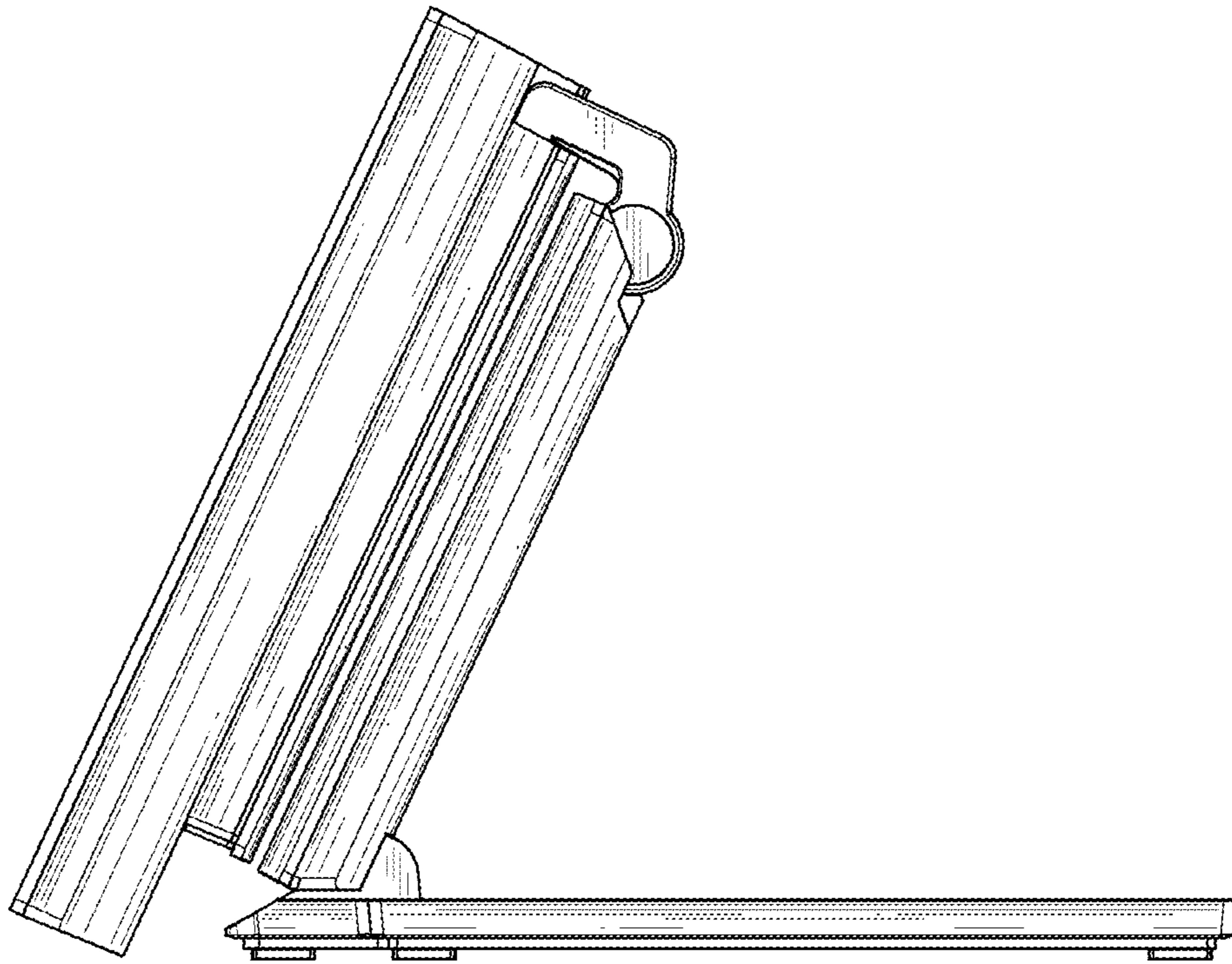


FIG. 12

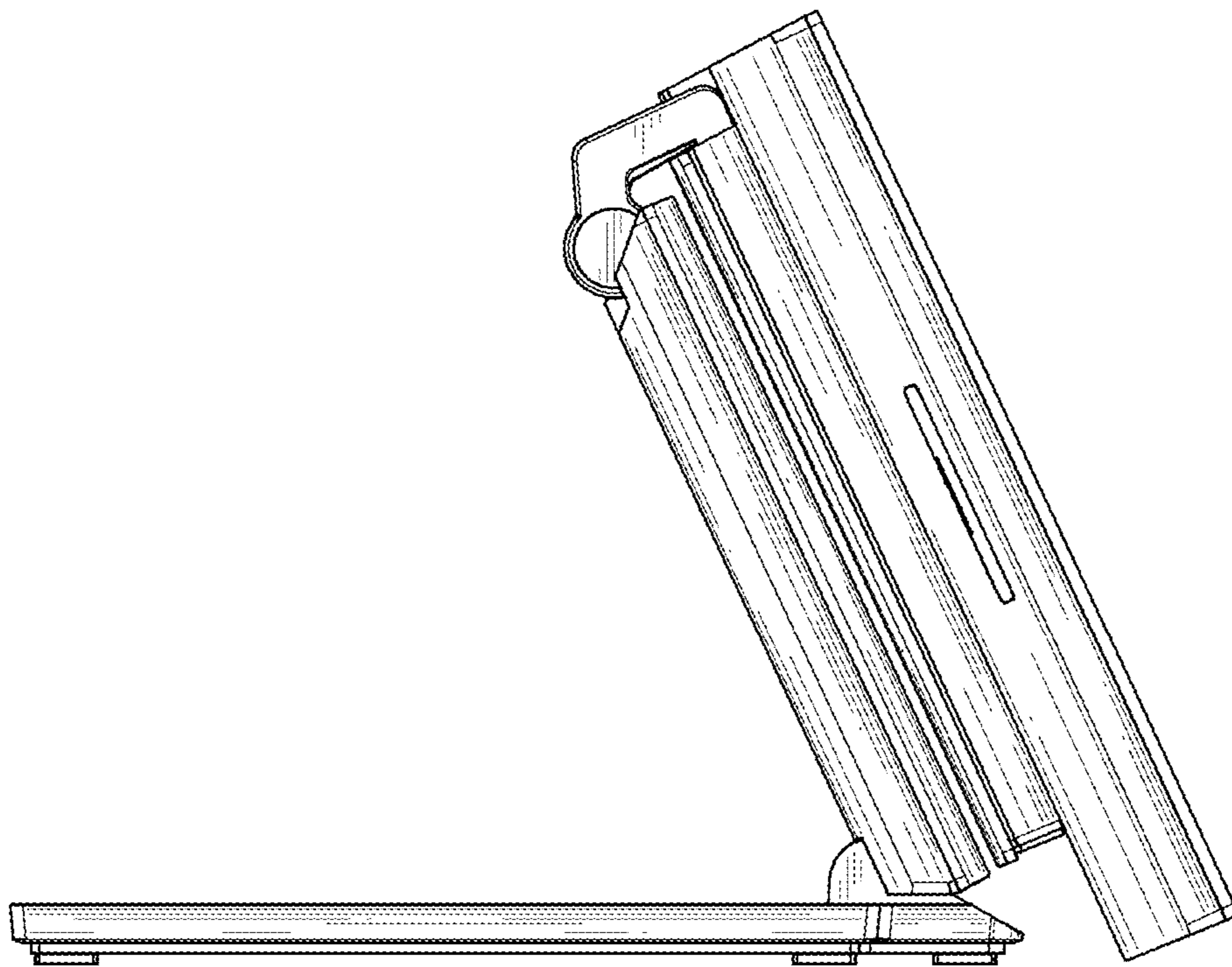


FIG. 13

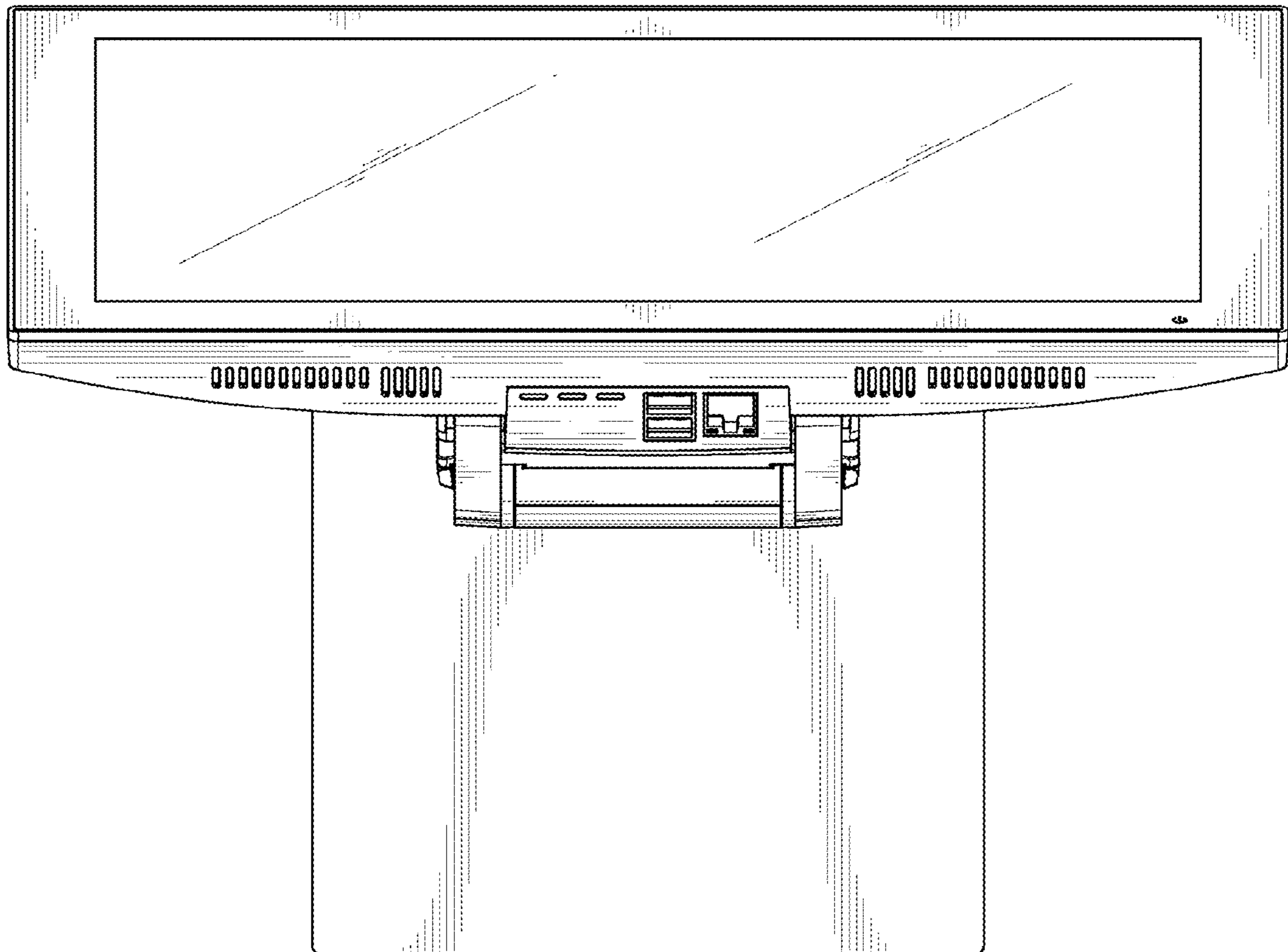


FIG. 14

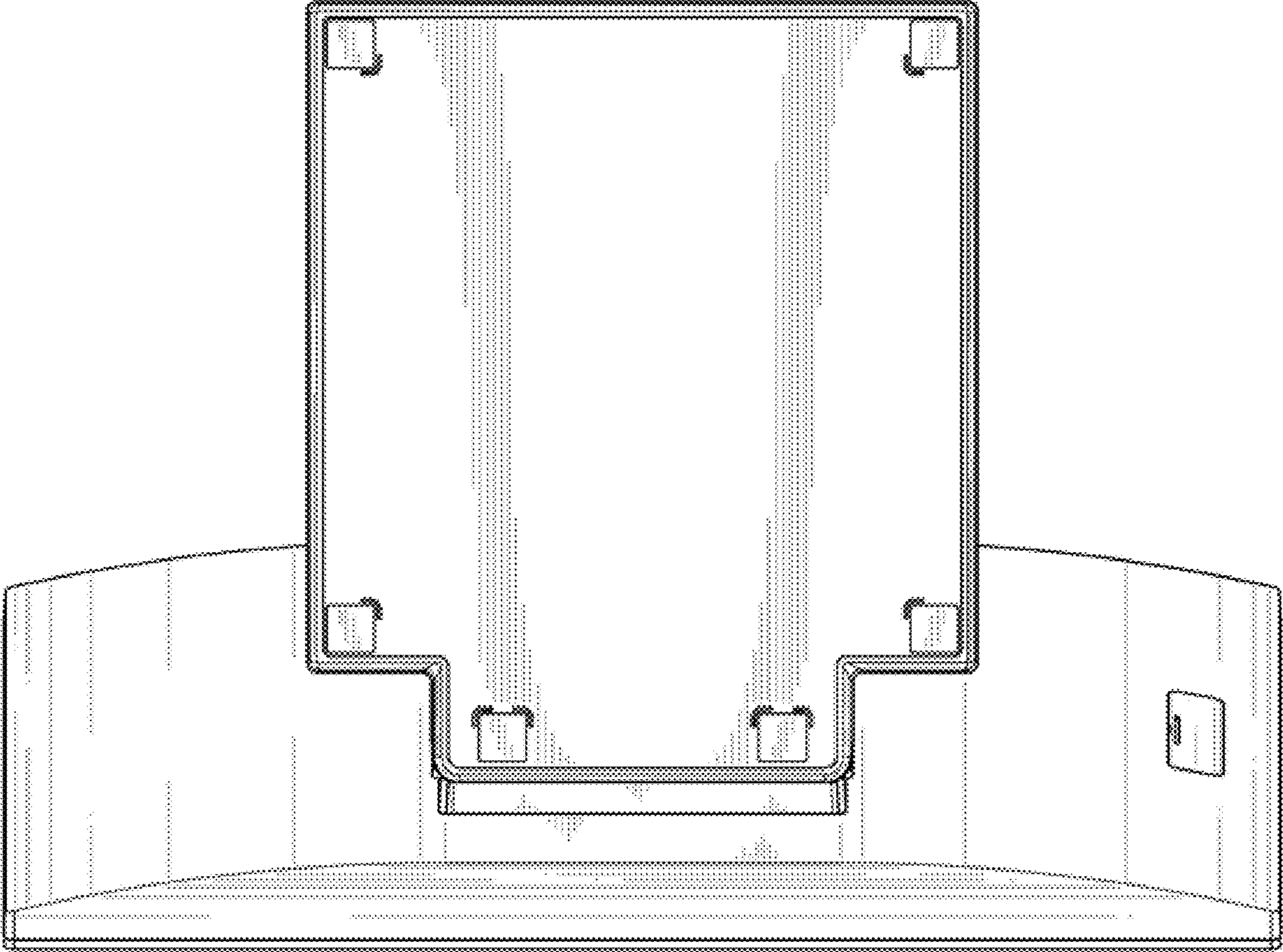


FIG. 15

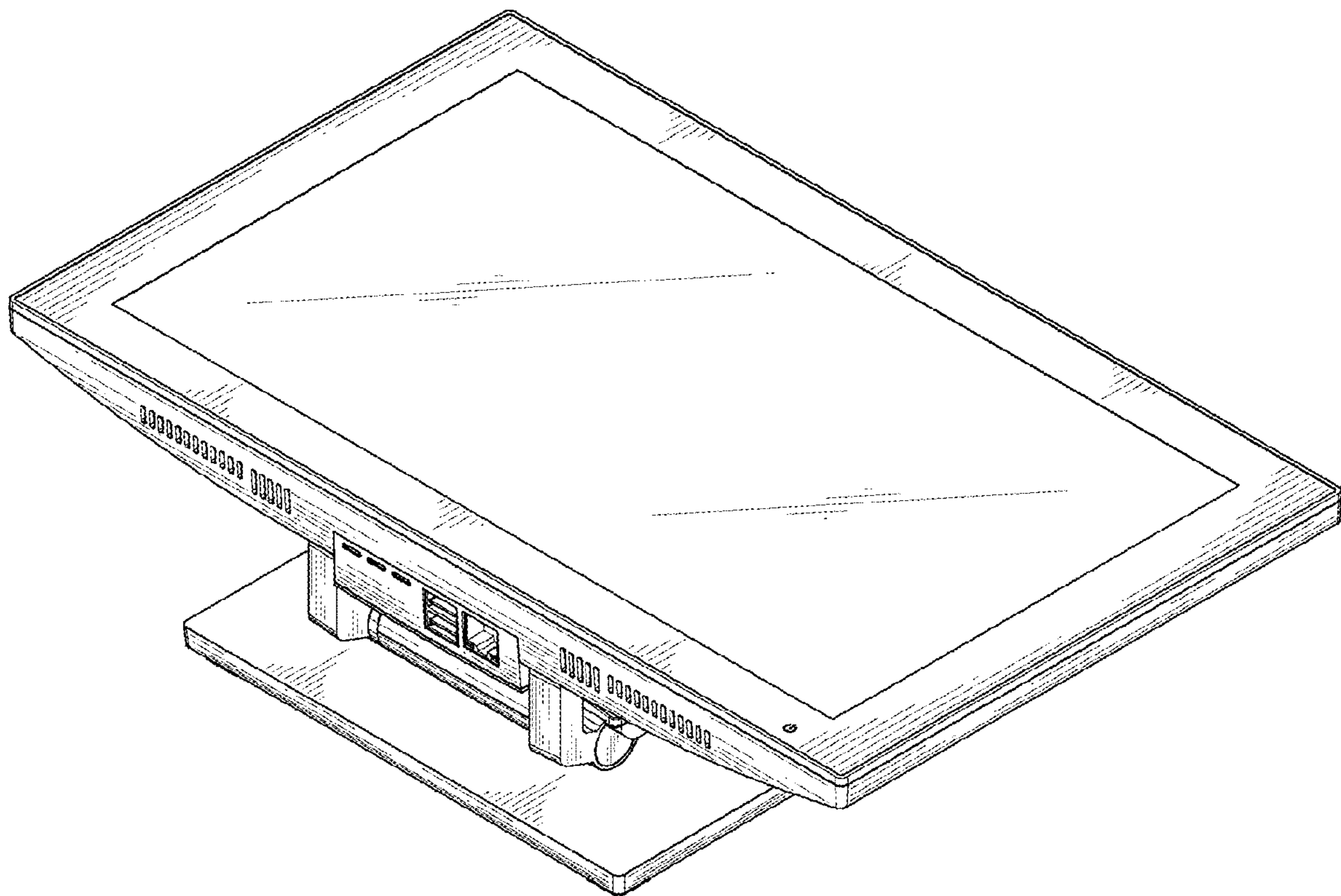


FIG. 16

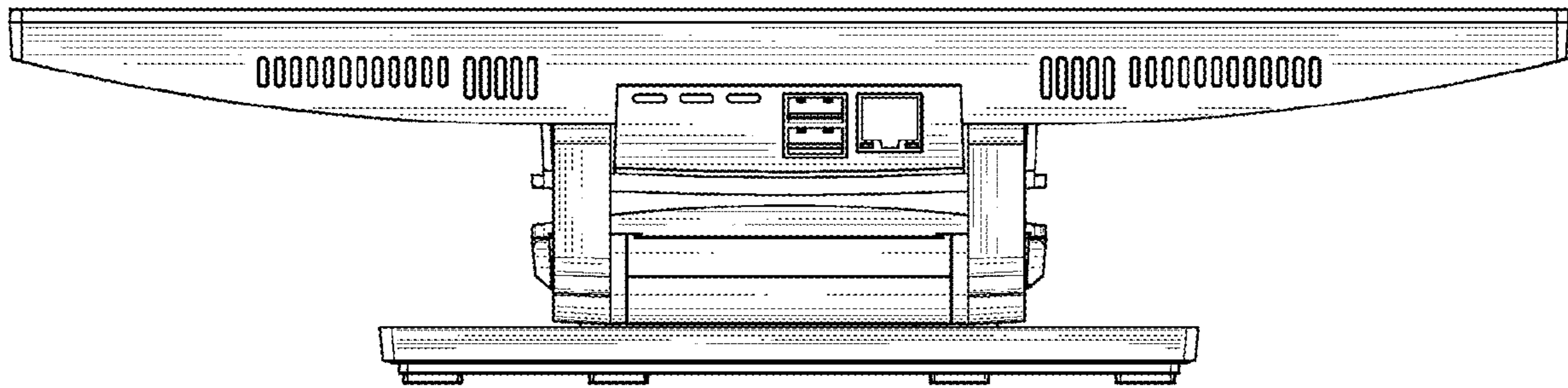


FIG. 17

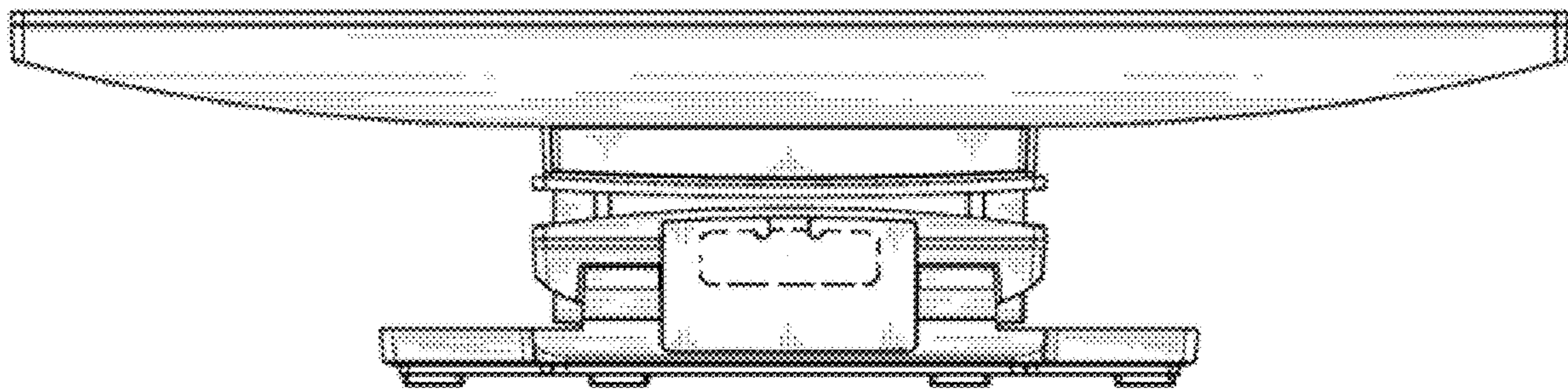


FIG. 18

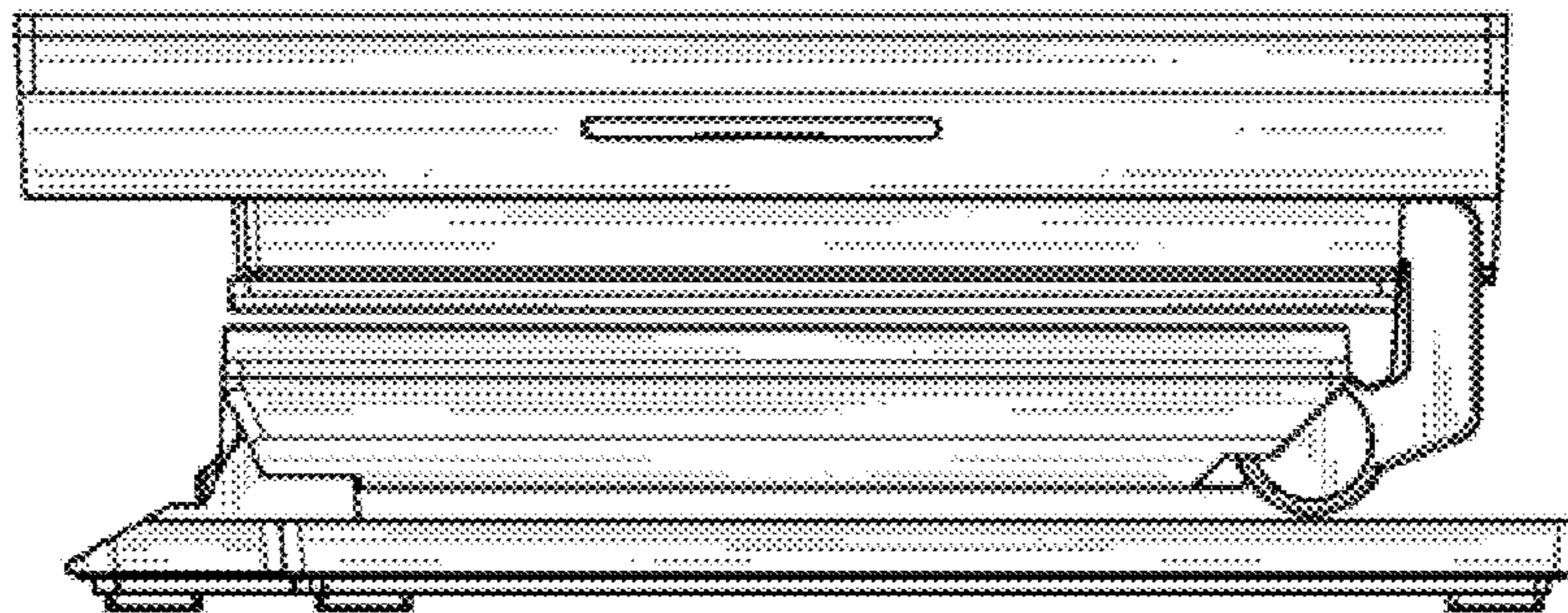


FIG. 19

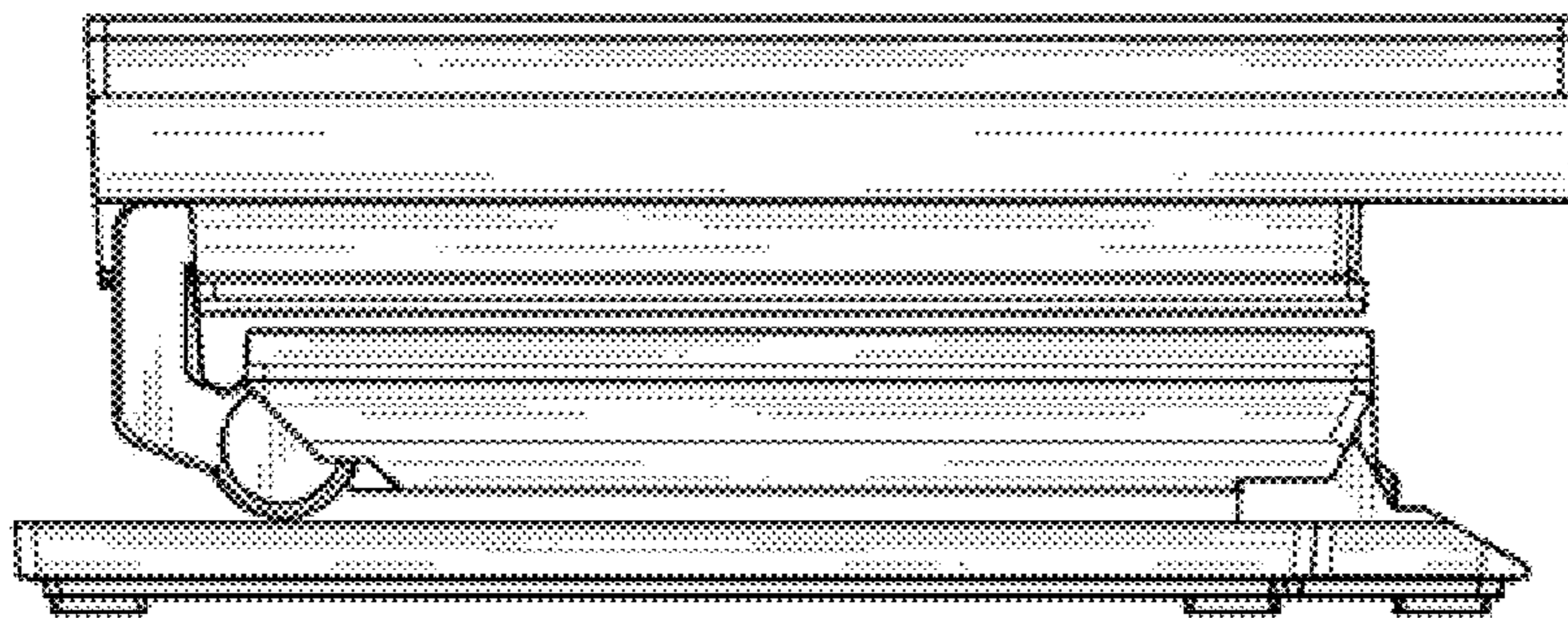


FIG. 20

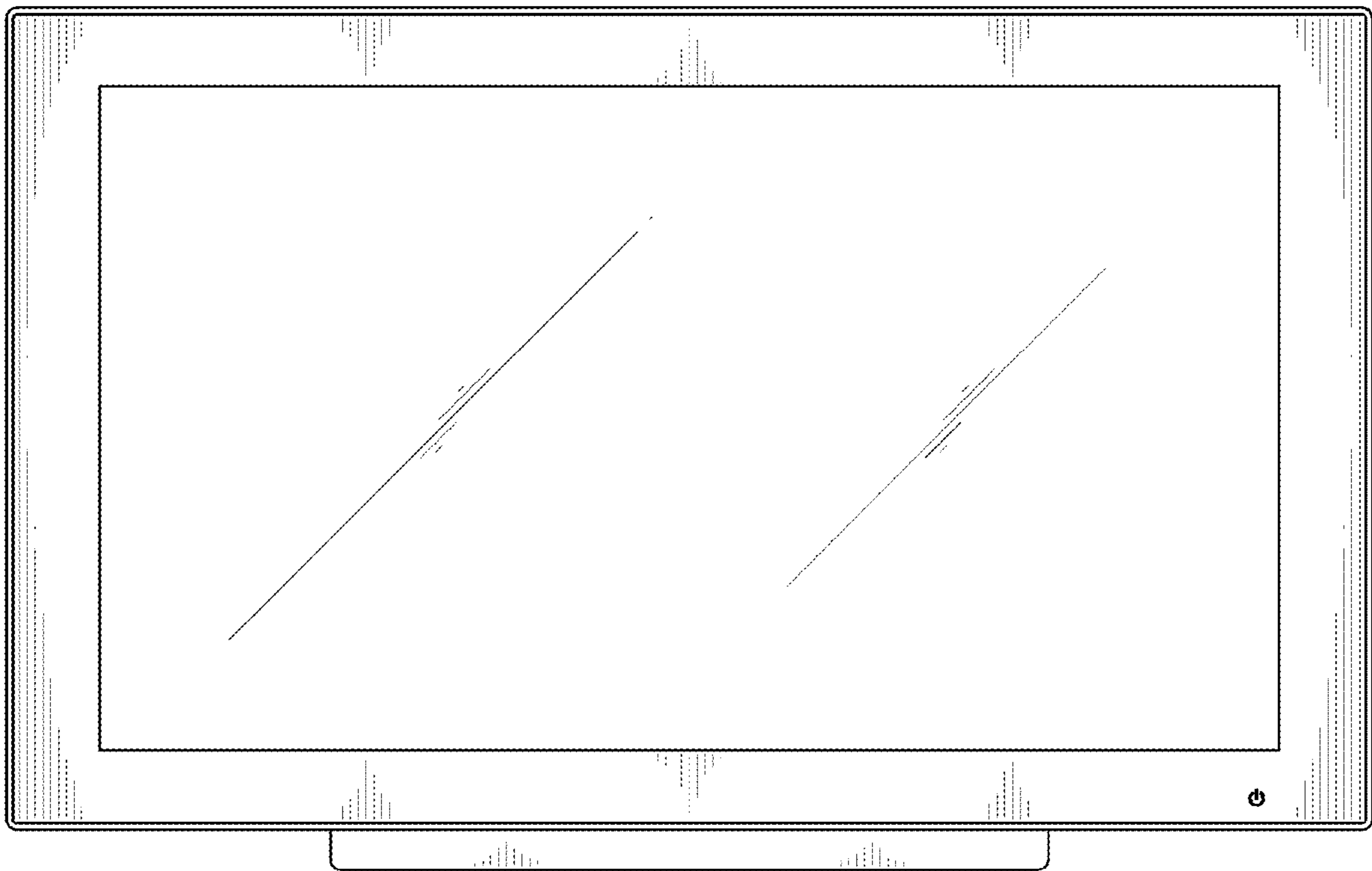


FIG. 21

