



US00D936130S

(12) **United States Design Patent**  
**Eastwood et al.**

(10) **Patent No.:** **US D936,130 S**

(45) **Date of Patent:** **\*\* Nov. 16, 2021**

(54) **CAMERA**

(71) Applicant: **Axon Enterprise, Inc.**, Scottsdale, AZ (US)

(72) Inventors: **Mark Eastwood**, Scottsdale, AZ (US);  
**Nathan Patulski**, Seattle, WA (US);  
**Hans Moritz**, Scottsdale, AZ (US);  
**Vitaly Bulgarov**, Las Vegas, NV (US)

(73) Assignee: **Axon Enterprise, Inc.**, Scottsdale, AZ (US)

(\*\*) Term: **15 Years**

(21) Appl. No.: **29/731,587**

(22) Filed: **Apr. 16, 2020**

(51) **LOC (13) Cl.** ..... **16-05**

(52) **U.S. Cl.**  
USPC ..... **D16/219**; D16/218

(58) **Field of Classification Search**  
USPC ..... D16/200–204, 208, 218, 219;  
D12/187–189, 400; 340/932.2, 933, 937;  
348/143, 148, 151, 360, 373–376;  
396/419, 427–429, 433, 529, 535,  
396/537–541

CPC ..... G03B 15/03; G03B 17/02; G03B 17/04;  
G03B 17/48; G03B 17/56; G03B 19/04;  
G08G 1/0175; H04N 5/2251; H04N  
5/2252; H04N 5/2253; H04N 5/2254

See application file for complete search history.

(56) **References Cited**

**U.S. PATENT DOCUMENTS**

D360,646 S \* 7/1995 Nomura ..... D16/202  
D383,759 S 9/1997 Nagele et al.  
D388,107 S 12/1997 Huckins  
D390,858 S \* 2/1998 Wen ..... D16/202  
D433,046 S \* 10/2000 Hall ..... D14/130  
D519,469 S 4/2006 Sorenson

D525,642 S 7/2006 Yamaguchi  
D528,104 S 9/2006 Kimura  
D550,632 S 9/2007 Samuels et al.  
D628,614 S 12/2010 Barley et al.  
D634,315 S 3/2011 Nousiainen  
D640,305 S 6/2011 Hashiguchi  
D646,315 S 10/2011 Orf

(Continued)

**OTHER PUBLICATIONS**

“Axon Fleet 2 Camera System User Manual”, Axon Enterprise, Inc., p. 1-24, published Jan. 2019 (24 pages).

(Continued)

*Primary Examiner* — Ramzi Almatrahi

(74) *Attorney, Agent, or Firm* — Banner & Witcoff, Ltd.

(57) **CLAIM**

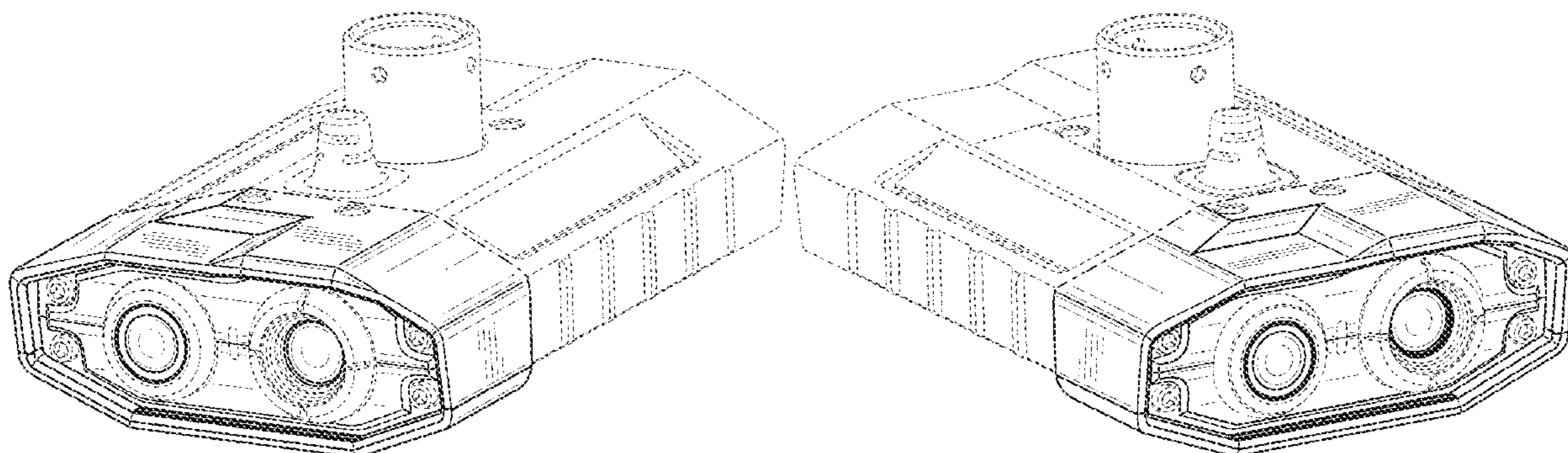
The ornamental design for a camera, as shown and described.

**DESCRIPTION**

FIG. 1 is a top, front and right side perspective view of a camera showing our new design;  
FIG. 2 is a top, front and left side perspective view thereof;  
FIG. 3 is a bottom, rear and right side perspective view thereof;  
FIG. 4 is a bottom, rear and left side perspective thereof;  
FIG. 5 is a front view thereof;  
FIG. 6 is a rear view thereof;  
FIG. 7 is a right side view thereof;  
FIG. 8 is a left side view thereof;  
FIG. 9 is a top view thereof; and,  
FIG. 10 is a bottom view thereof.

The broken lines depict portions of the camera in which the design is embodied that form no part of the claimed design. Additionally, the dash-dot lines denote the boundary of the claim and form no part of the claimed design.

**1 Claim, 10 Drawing Sheets**



(56)

References Cited

U.S. PATENT DOCUMENTS

D684,980 S 6/2013 Chun  
 D708,251 S 7/2014 Chen et al.  
 D717,307 S 11/2014 Chun  
 D721,122 S 1/2015 Rivkin et al.  
 D721,123 S 1/2015 Rivkin et al.  
 D723,042 S 2/2015 Lee et al.  
 8,960,623 B2 2/2015 Woolford  
 D727,761 S \* 4/2015 Abe ..... D10/80  
 D733,783 S 7/2015 Wu  
 D739,410 S 9/2015 Chun  
 D744,473 S 12/2015 Tsai et al.  
 D750,612 S 3/2016 Chen  
 D754,768 S 4/2016 Patulski et al.  
 D754,769 S 4/2016 Patulski et al.  
 D757,705 S 5/2016 Esses  
 D772,218 S 11/2016 Alesi et al.  
 D780,743 S 3/2017 Chun  
 D781,363 S 3/2017 Ikegame  
 D781,860 S 3/2017 Tsiopanaset et al.  
 D782,560 S \* 3/2017 Li ..... D16/218  
 D783,012 S 4/2017 Lee  
 D790,528 S 6/2017 Lindloff  
 D797,750 S 9/2017 Wengreen  
 D799,466 S 10/2017 Sukphist et al.  
 D802,042 S 11/2017 Peabody et al.  
 D803,294 S 11/2017 Peabody et al.  
 D805,575 S 12/2017 Peabody et al.  
 D822,747 S \* 7/2018 Deusen ..... D16/218  
 D823,928 S 7/2018 Hatcher et al.

D834,633 S \* 11/2018 Carlson ..... D16/208  
 D852,253 S \* 6/2019 Lee ..... D16/200  
 D859,495 S \* 9/2019 Iritani ..... D16/203  
 D884,046 S \* 5/2020 Hsu ..... D16/202  
 D888,803 S \* 6/2020 Hsu ..... D16/218  
 D890,241 S \* 7/2020 Abdul ..... D16/208  
 2012/0174382 A1 7/2012 Dering  
 2012/0327234 A1 \* 12/2012 Fish, Jr. .... B60R 11/04  
 348/148  
 2016/0119514 A1 4/2016 Sugimura et al.

OTHER PUBLICATIONS

“Axon Fleet 2 Camera System Quick Start Guide”, Axon Enterprise, Inc., p. 1-2, publication date unknown but prior to the filing date of the present application (2 pages).  
 “Axon Fleet Camera System Quick Start Guide”, Axon Enterprise, Inc., p. 1-2, publication date unknown but prior to the filing date of the present application (2 pages).  
 “Axon Fleet 2”, Axon Enterprise, Inc., p. 1-2, publication date unknown but prior to the filing date of the present application (2 pages).  
 “Axon Flex 2—Ballistic Vest Mount”; Axon; retrieved Apr. 1, 2020; disclosure date unknown but prior to the filing date of the present application; URL: [https://buy.axon.com/ccrz\\_ProductDetails?sku=11555](https://buy.axon.com/ccrz_ProductDetails?sku=11555).  
 “Passive holder with tilt swivel”; Brodit; retrieved Apr. 1, 2020; published Jul. 1, 2017; URL: <https://www.brodit.com/product.html?id=511848>.

\* cited by examiner

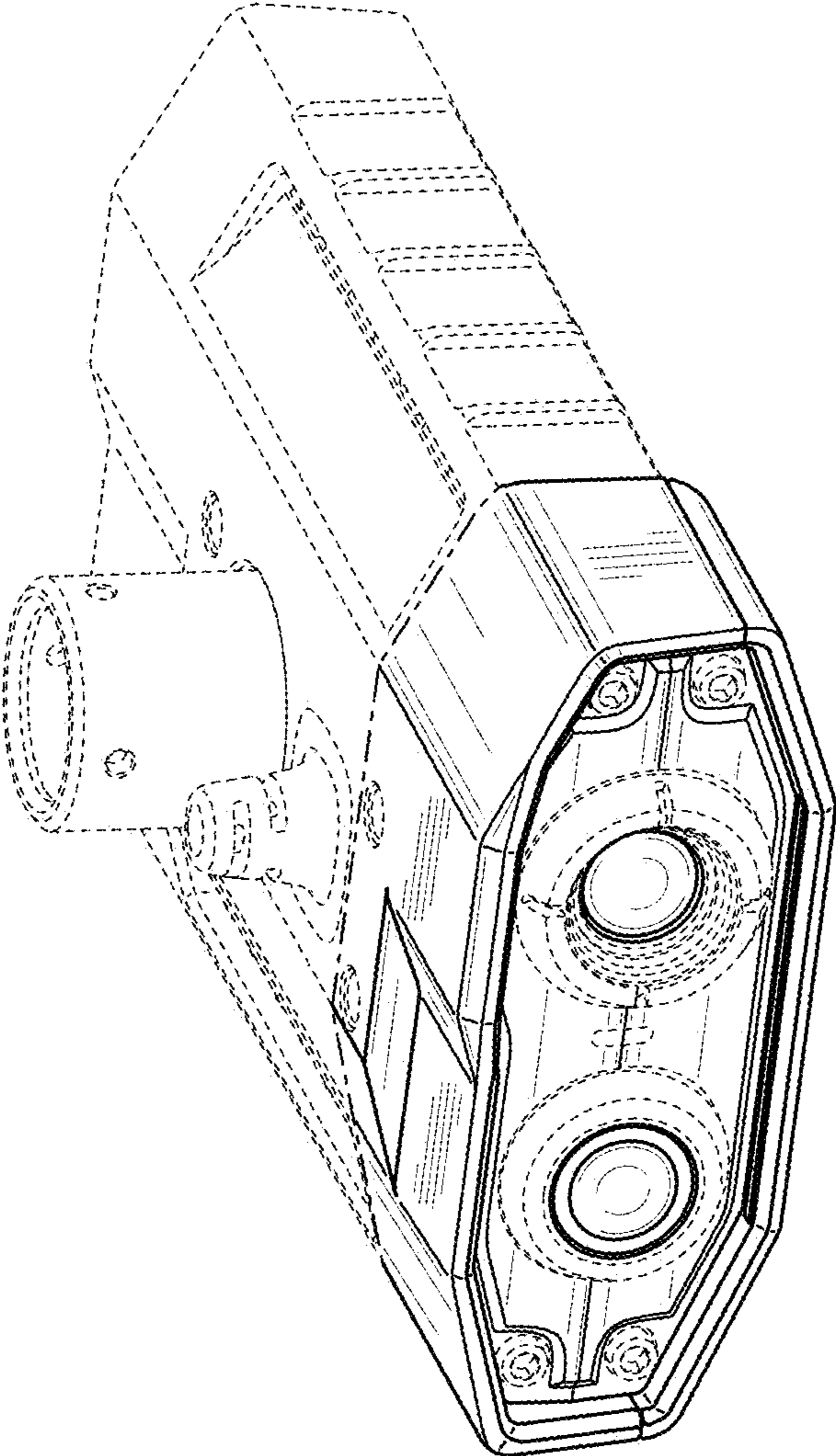


FIG. 1



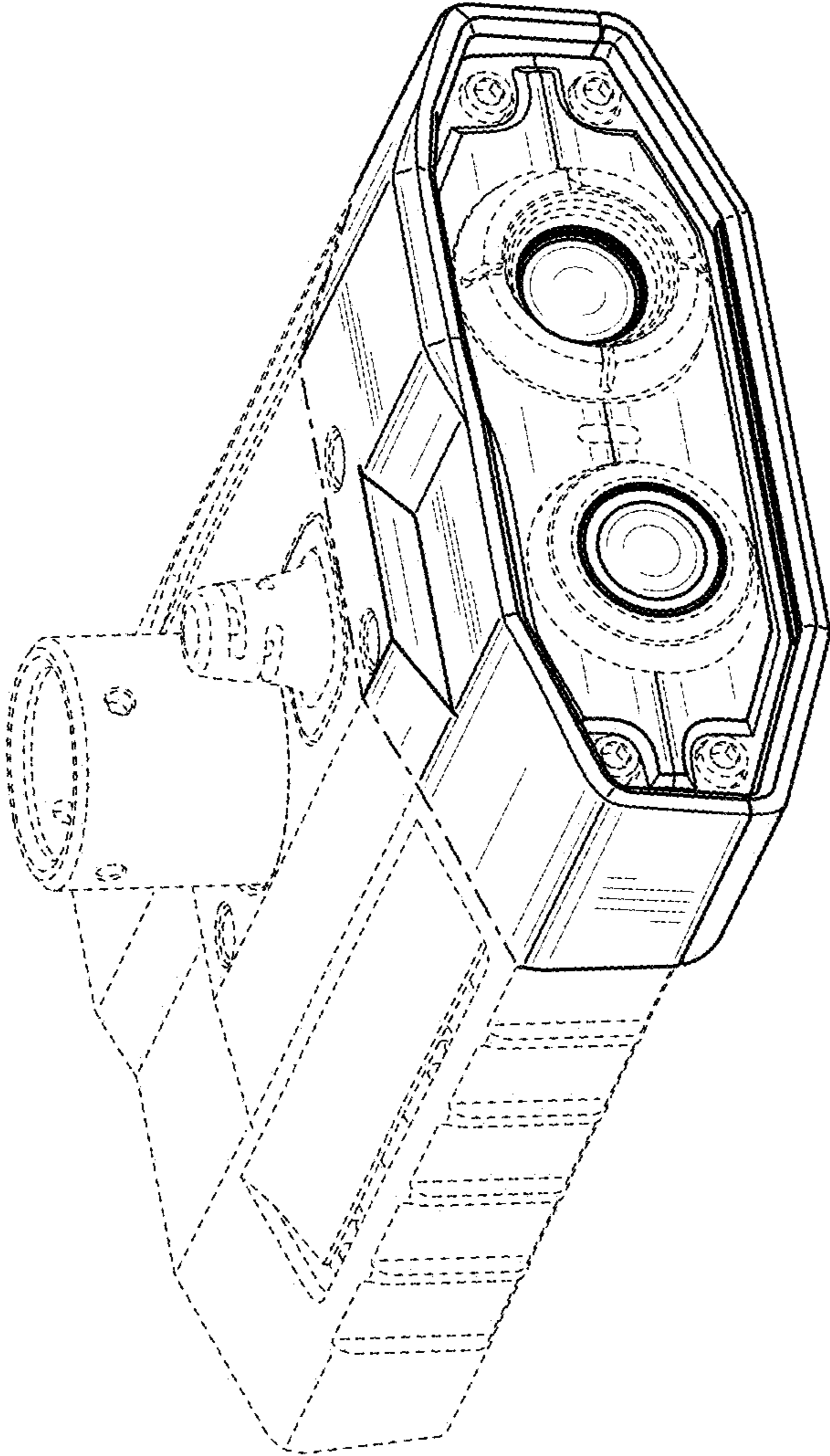


FIG. 2

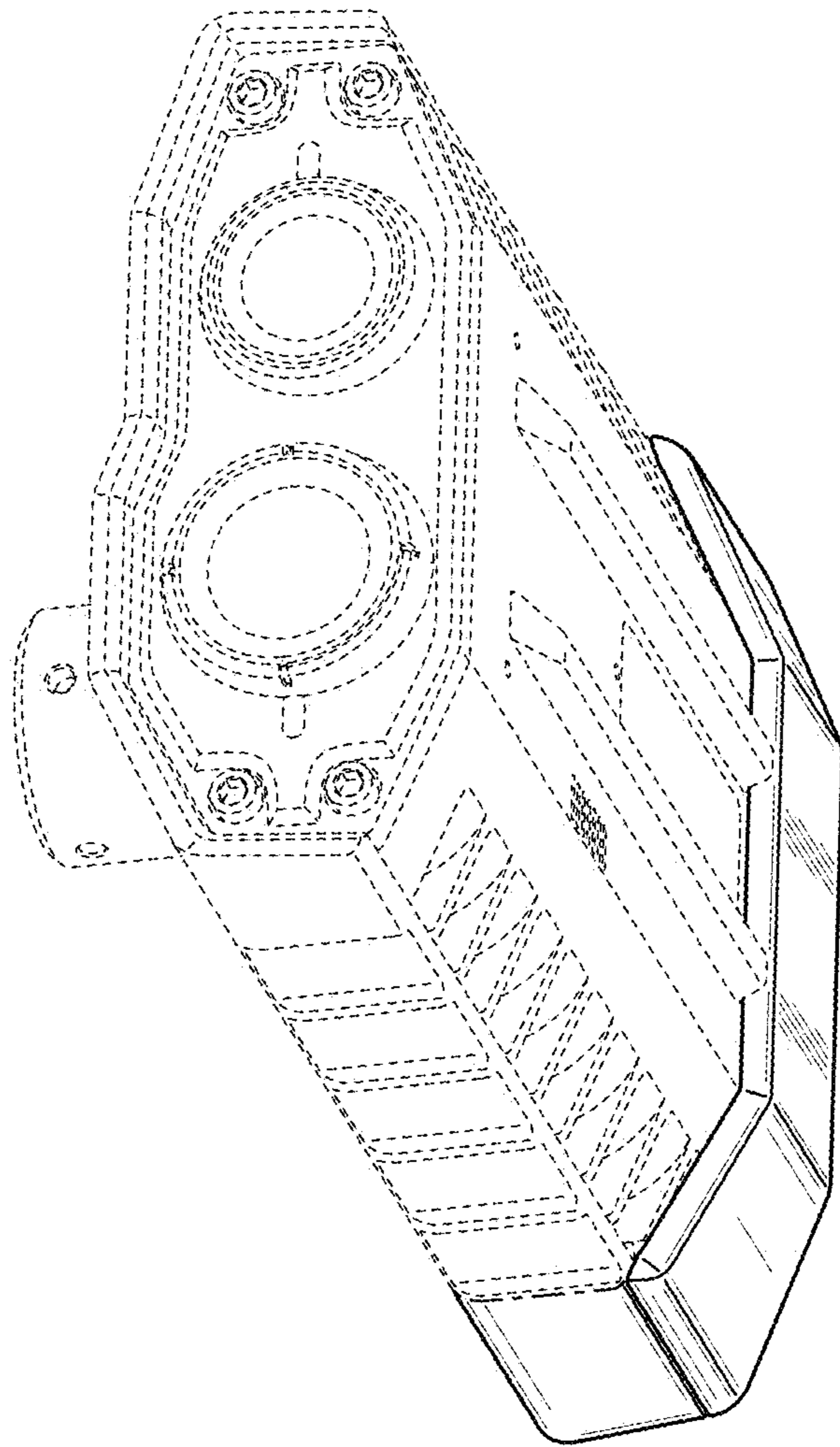


FIG. 3

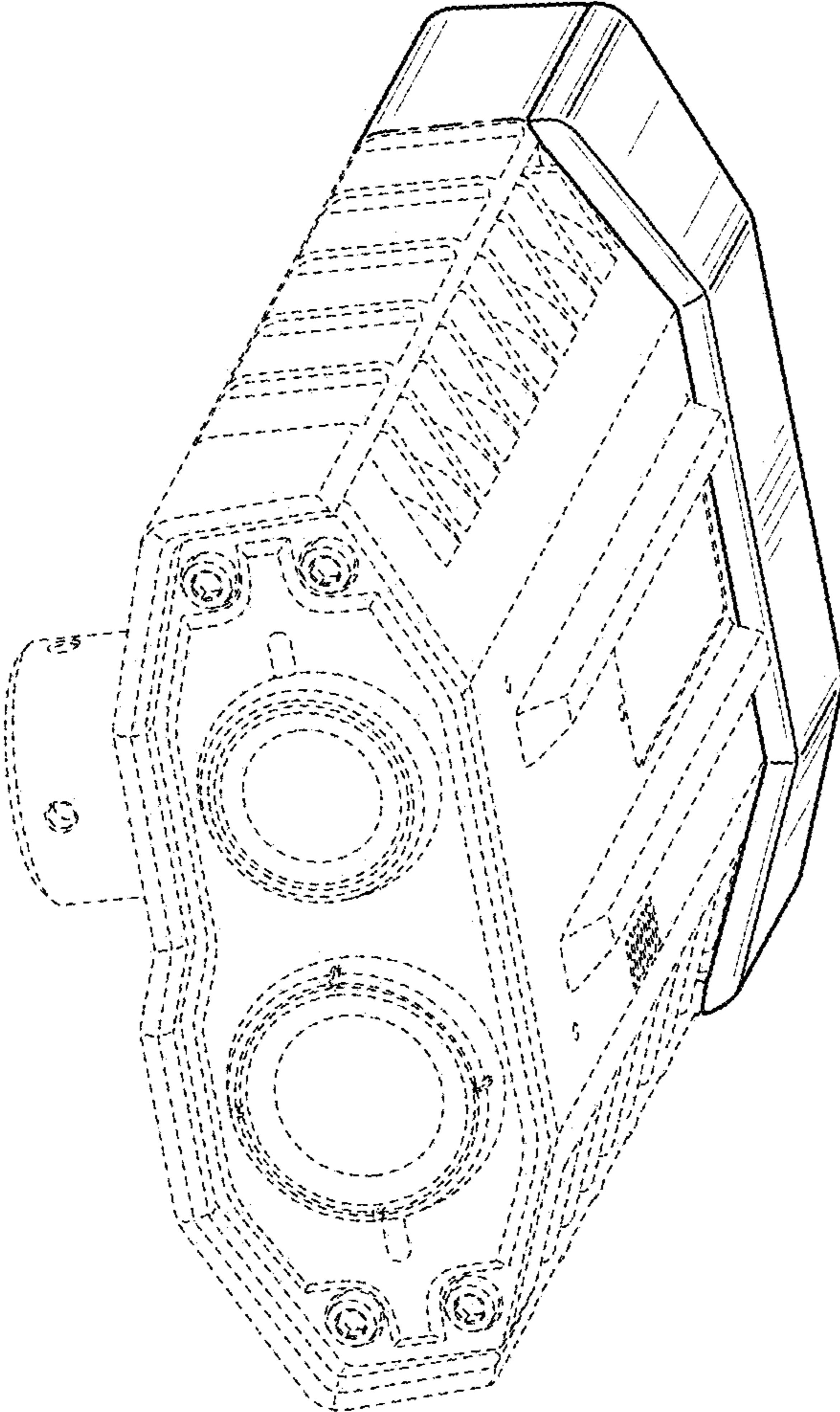


FIG. 4

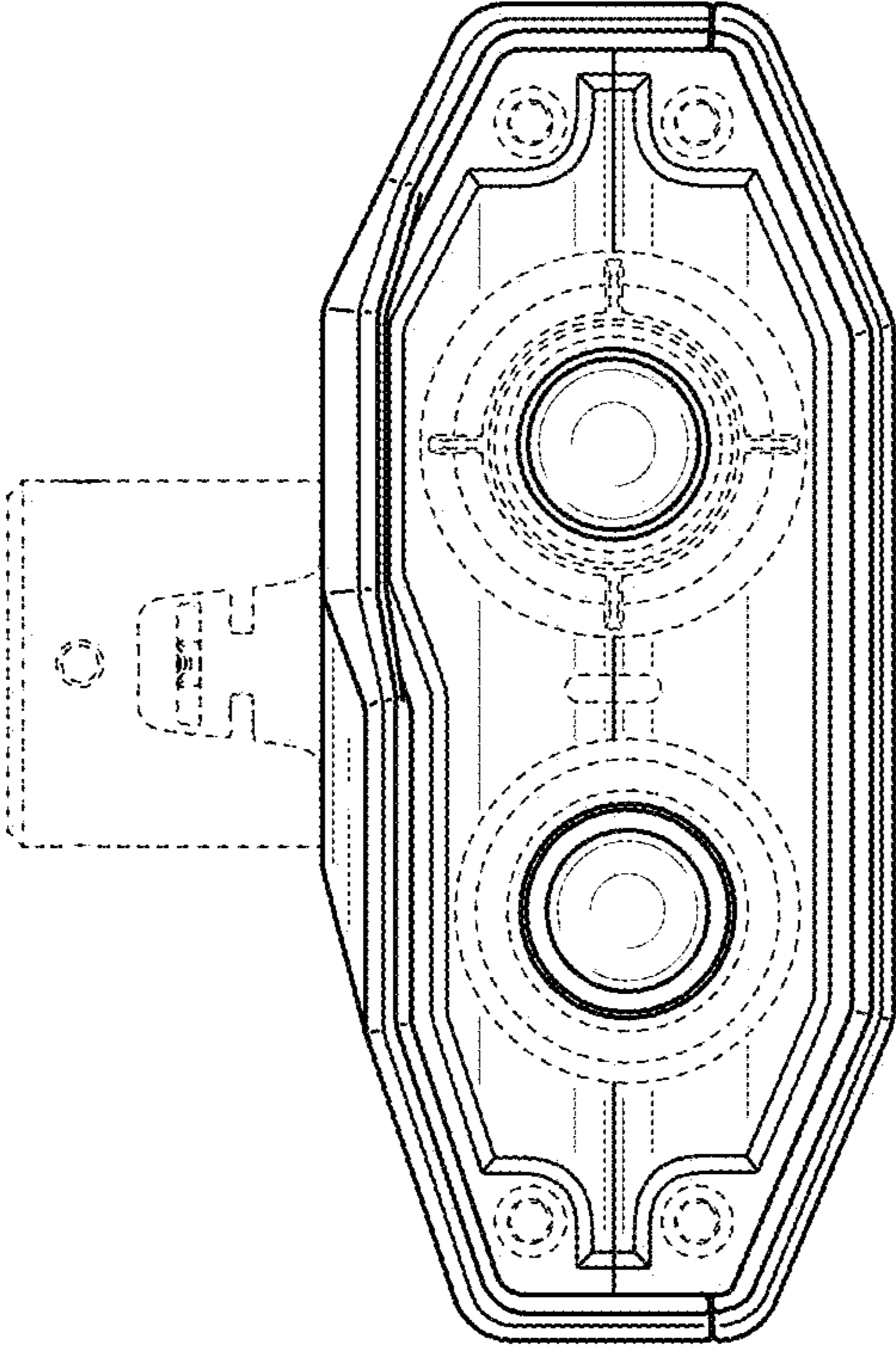


FIG. 5

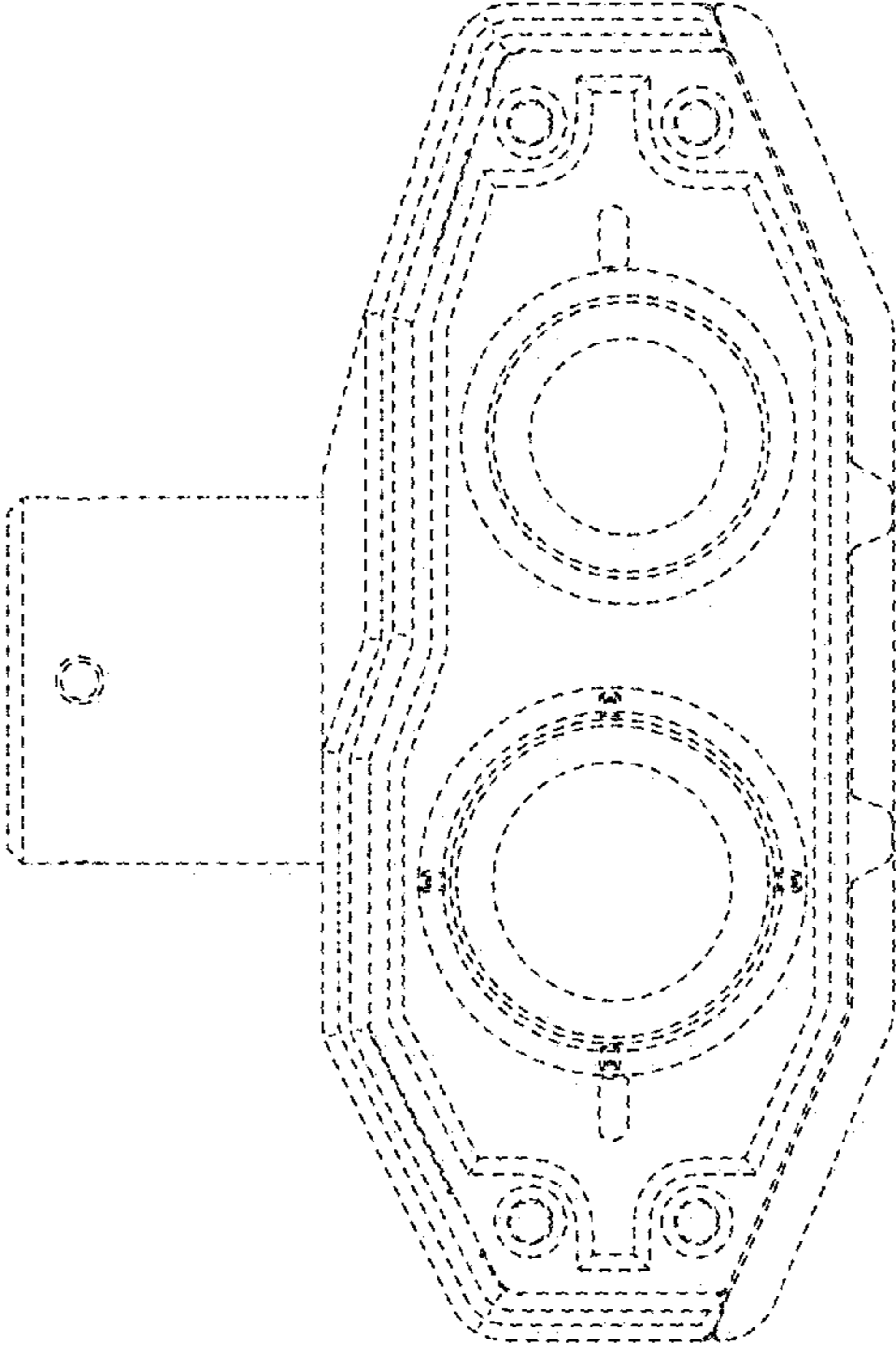


FIG. 6



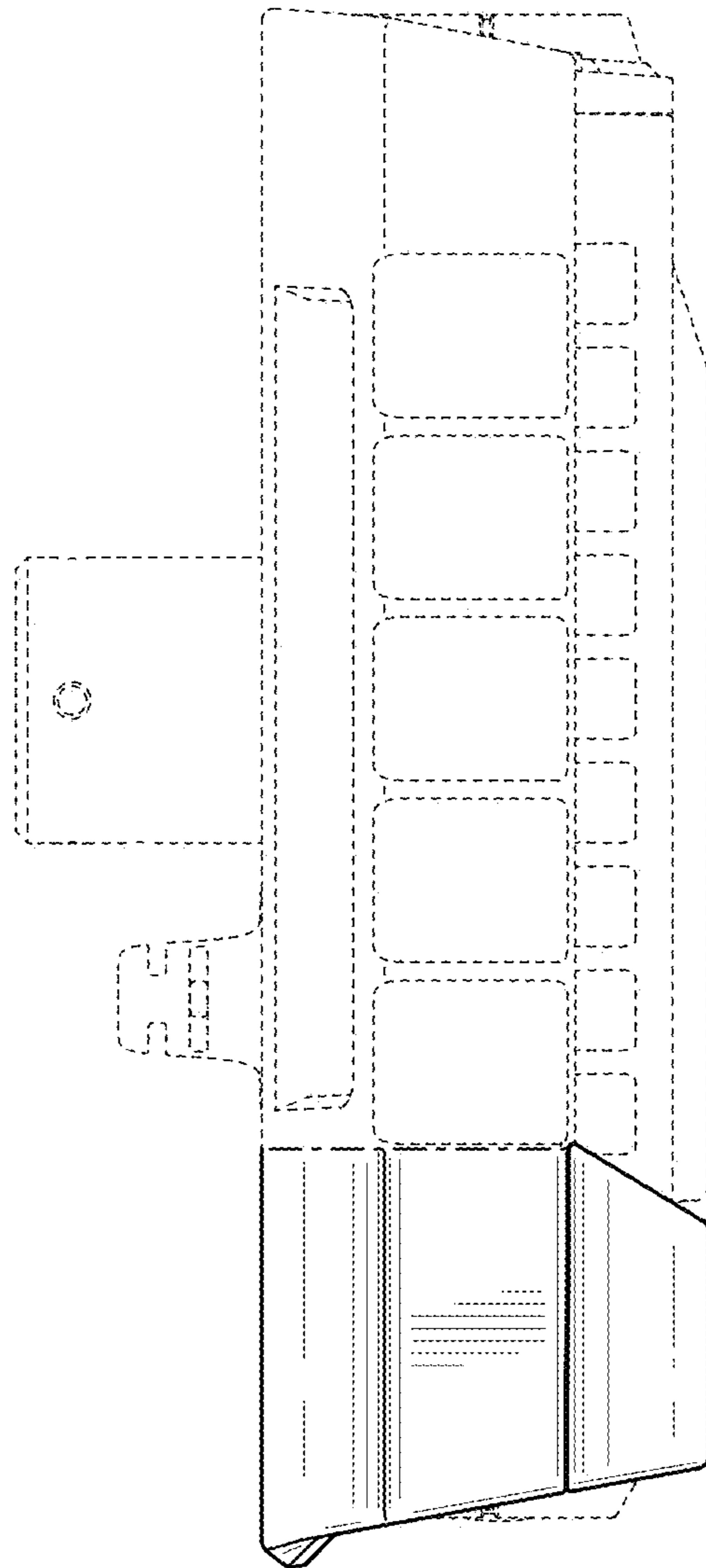


FIG. 7

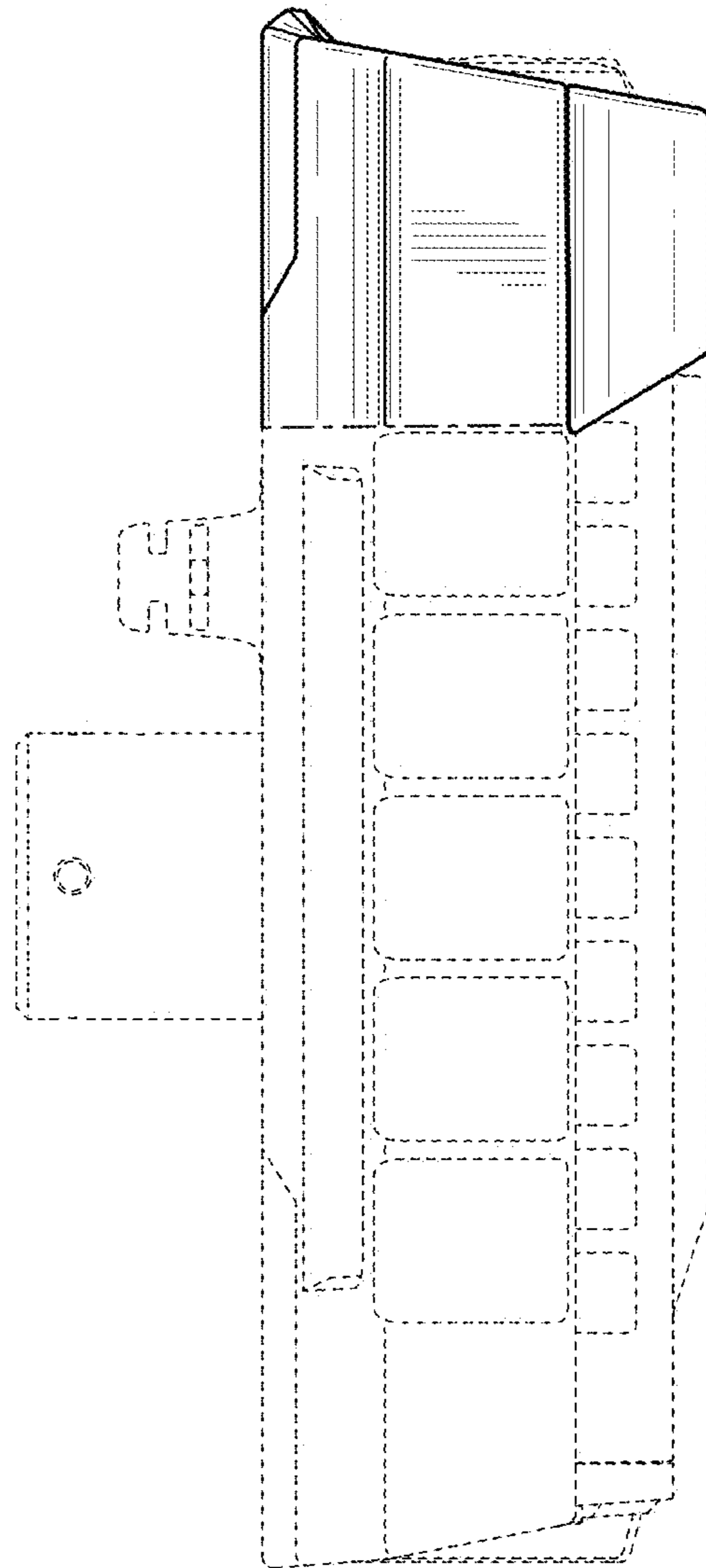


FIG. 8

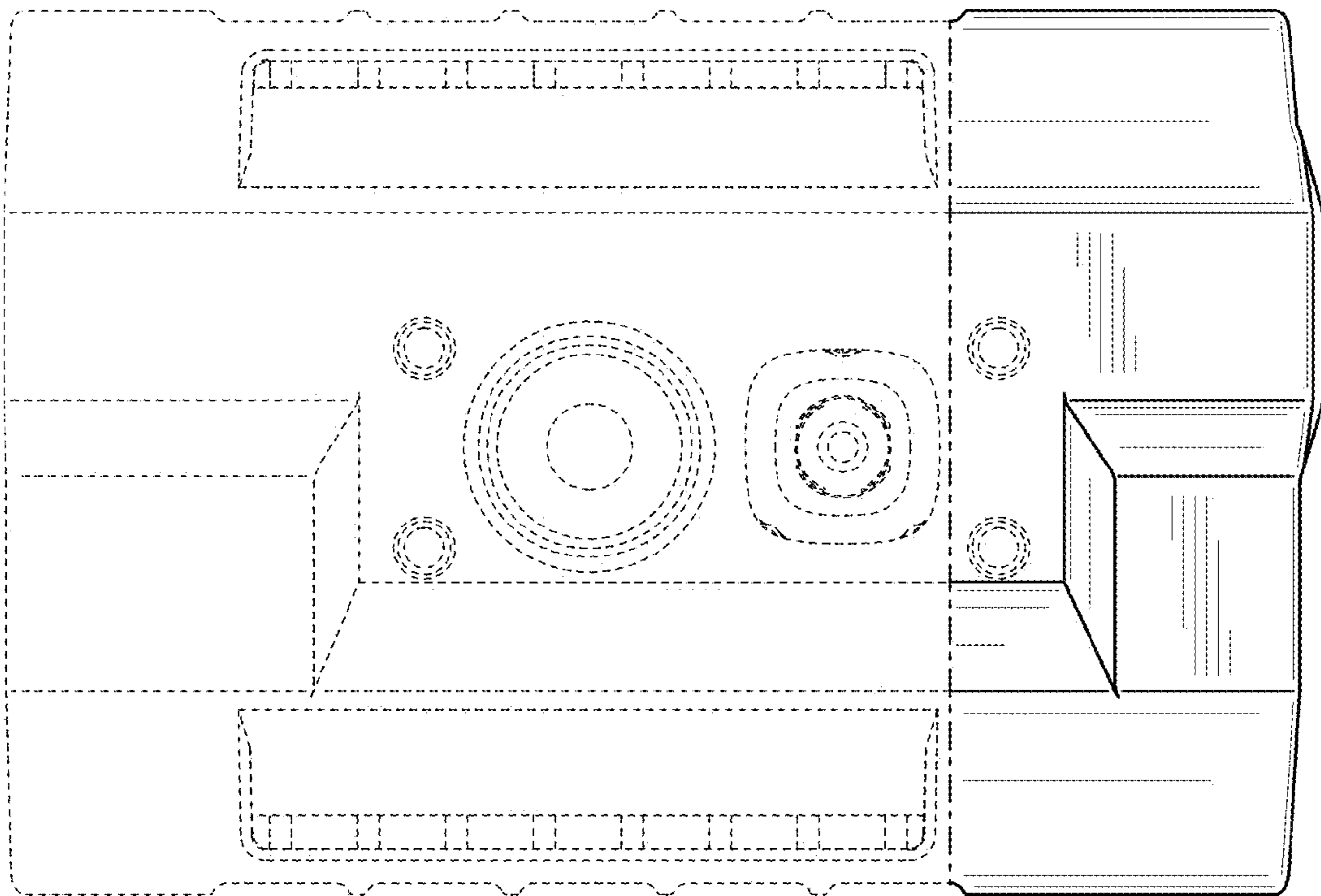


FIG. 9

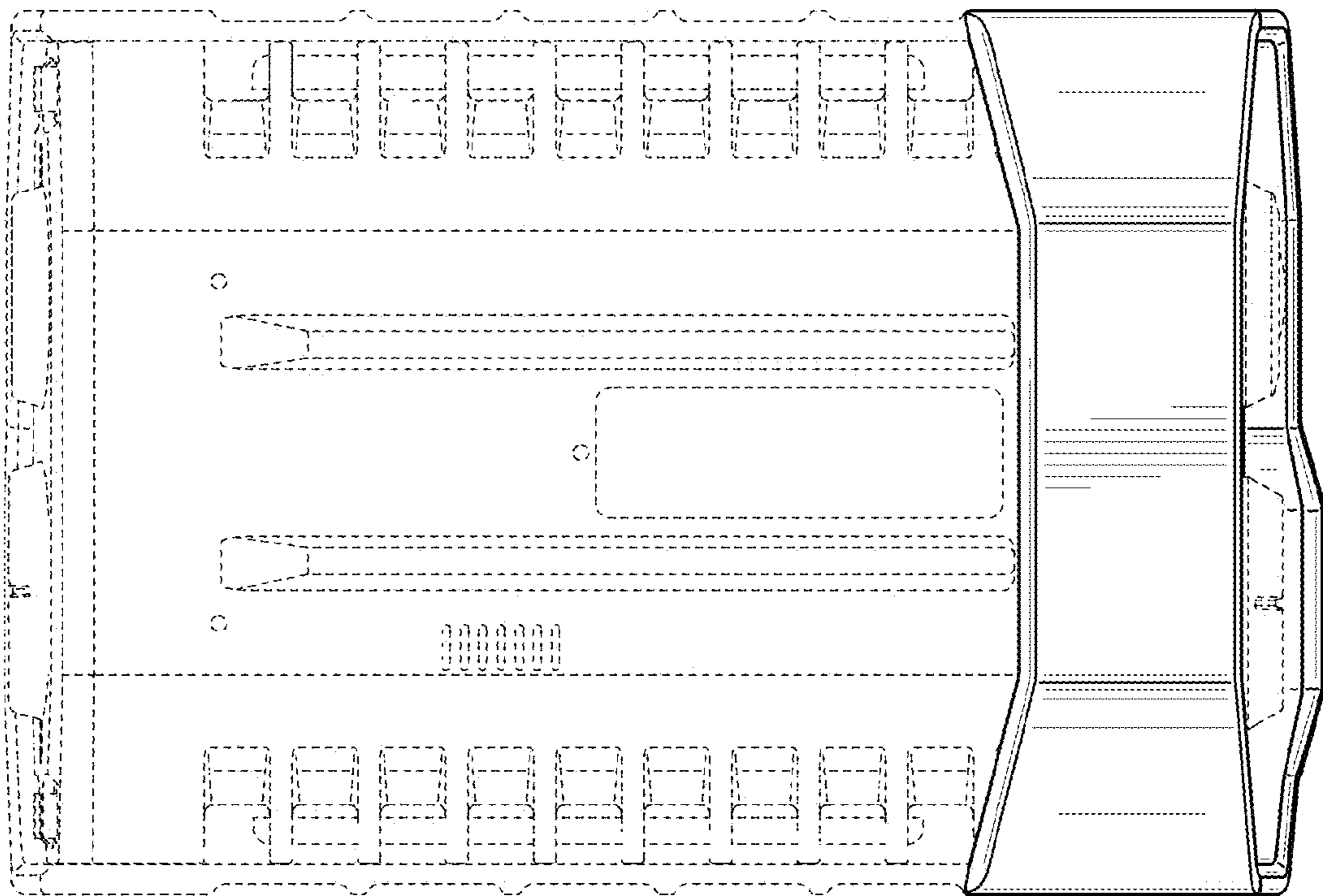


FIG. 10