



US00D936127S

(12) **United States Design Patent**  
**Wu**

(10) **Patent No.:** **US D936,127 S**

(45) **Date of Patent:** **\*\* Nov. 16, 2021**

(54) **CAMERA**

(71) Applicant: **SHENZHEN XINZENGCAI  
CREATIVE ELECTRONICS CO.,  
LTD.**, Shenzhen (CN)

(72) Inventor: **Feiliang Wu**, Shenzhen (CN)

(73) Assignee: **SHENZHEN XINZENGCAI  
CREATIVE ELECTRONICS CO.,  
LTD.**, Shenzhen (CN)

(\*\*) Term: **15 Years**

(21) Appl. No.: **29/773,066**

(22) Filed: **Mar. 5, 2021**

(51) **LOC (13) Cl.** ..... **16-01**

(52) **U.S. Cl.**  
USPC ..... **D16/202**

(58) **Field of Classification Search**  
USPC ..... D16/200, 202–203, 208, 218, 219, 242;  
248/187.1; 348/14.01–14.6, 143, 148,  
348/151, 373–376; 396/419, 427, 428,  
396/535, 539–541  
CPC ..... G03B 17/02; G03B 19/04; G03B 17/56;  
G03B 17/04; G03B 15/03; H04N  
2101/00; H04N 2007/145; H04N 7/141;  
H04N 7/142; H04N 7/147; H04N 7/148;  
H04N 7/15; H04N 7/152  
See application file for complete search history.

(56) **References Cited**

**U.S. PATENT DOCUMENTS**

D478,922 S \* 8/2003 Han ..... D16/202  
D537,095 S \* 2/2007 Alden ..... D16/202

D563,446 S \* 3/2008 Stephens ..... D16/202  
D573,622 S \* 7/2008 Fisher ..... D16/202  
D626,580 S \* 11/2010 Tzeng ..... D16/202  
D626,983 S \* 11/2010 Serge ..... D16/202  
D641,770 S \* 7/2011 Hoehn ..... D16/202  
D651,230 S \* 12/2011 Tan ..... D16/202  
D678,929 S \* 3/2013 Hancock ..... D16/203  
D682,332 S \* 5/2013 Wang ..... D16/202  
8,475,059 B2 \* 7/2013 Khamsepoor ..... H04N 5/2251  
396/428  
D849,088 S 5/2019 Lai  
D849,089 S 5/2019 Lu

\* cited by examiner

*Primary Examiner* — Ramzi Almatrahi

(74) *Attorney, Agent, or Firm* — ScienBiziP, P.C.

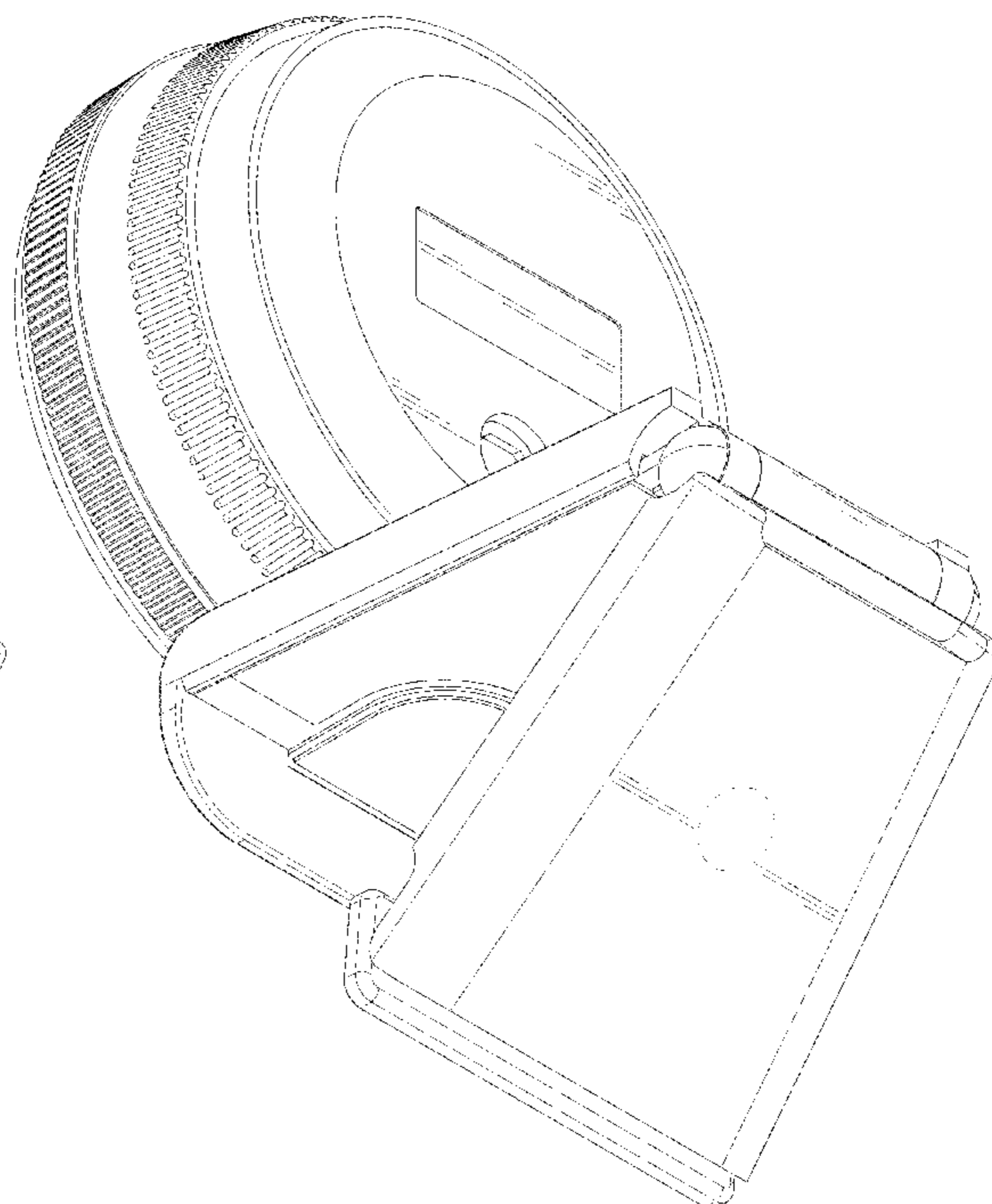
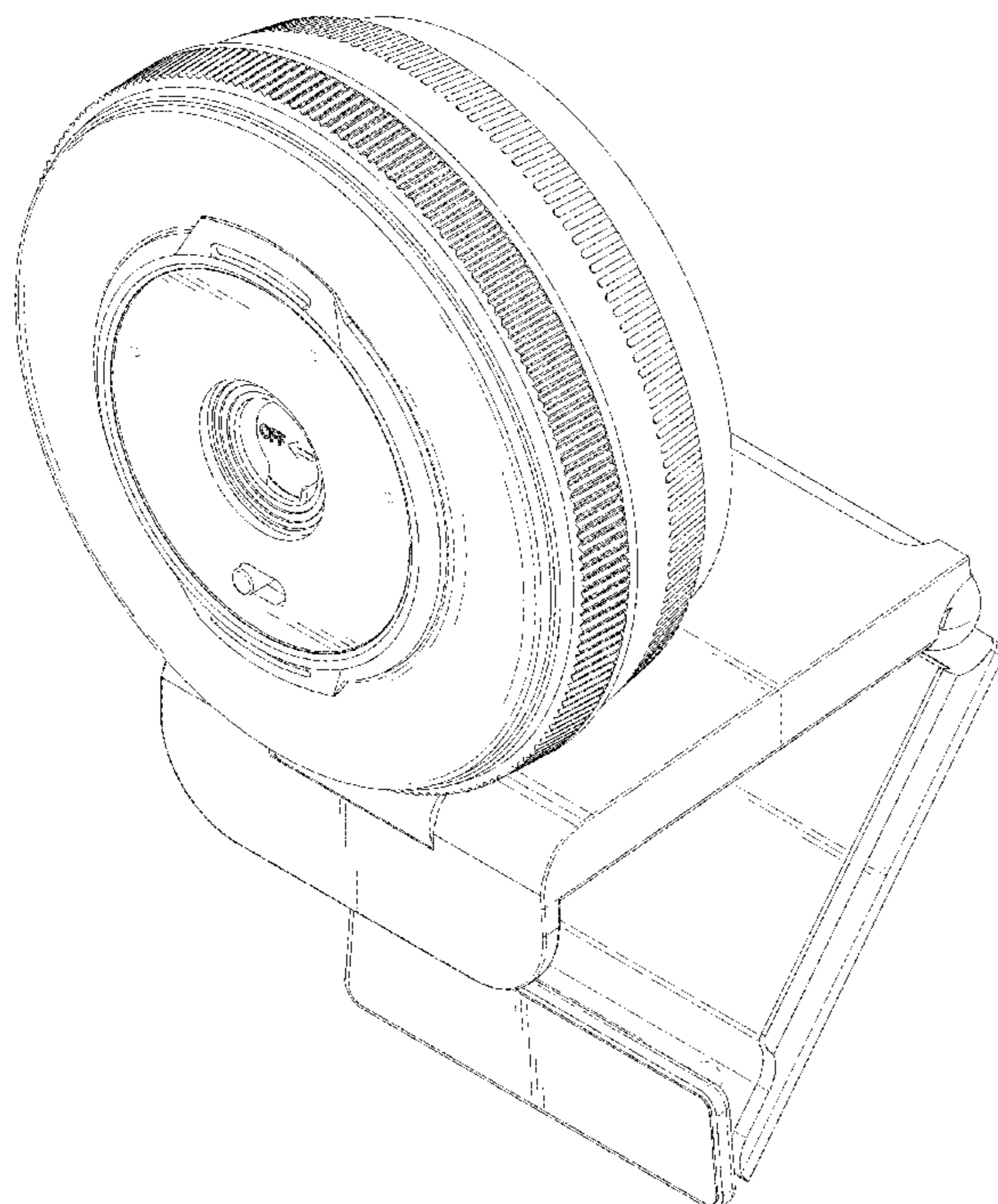
(57) **CLAIM**

The ornamental design for a camera, as shown and described.

**DESCRIPTION**

FIG. 1 is a top, front and right side perspective view of a camera showing my new design;  
FIG. 2 is a bottom, rear and right side perspective view thereof;  
FIG. 3 is a front elevation view thereof;  
FIG. 4 is a rear elevation view thereof;  
FIG. 5 is a left side elevation view thereof;  
FIG. 6 is a right side elevation view thereof;  
FIG. 7 is a top plan view thereof; and,  
FIG. 8 is a bottom plan view thereof.  
The broken lines shown in the drawings are included for the purpose of illustrating portions of the camera that form no part of the claimed design.

**1 Claim, 8 Drawing Sheets**



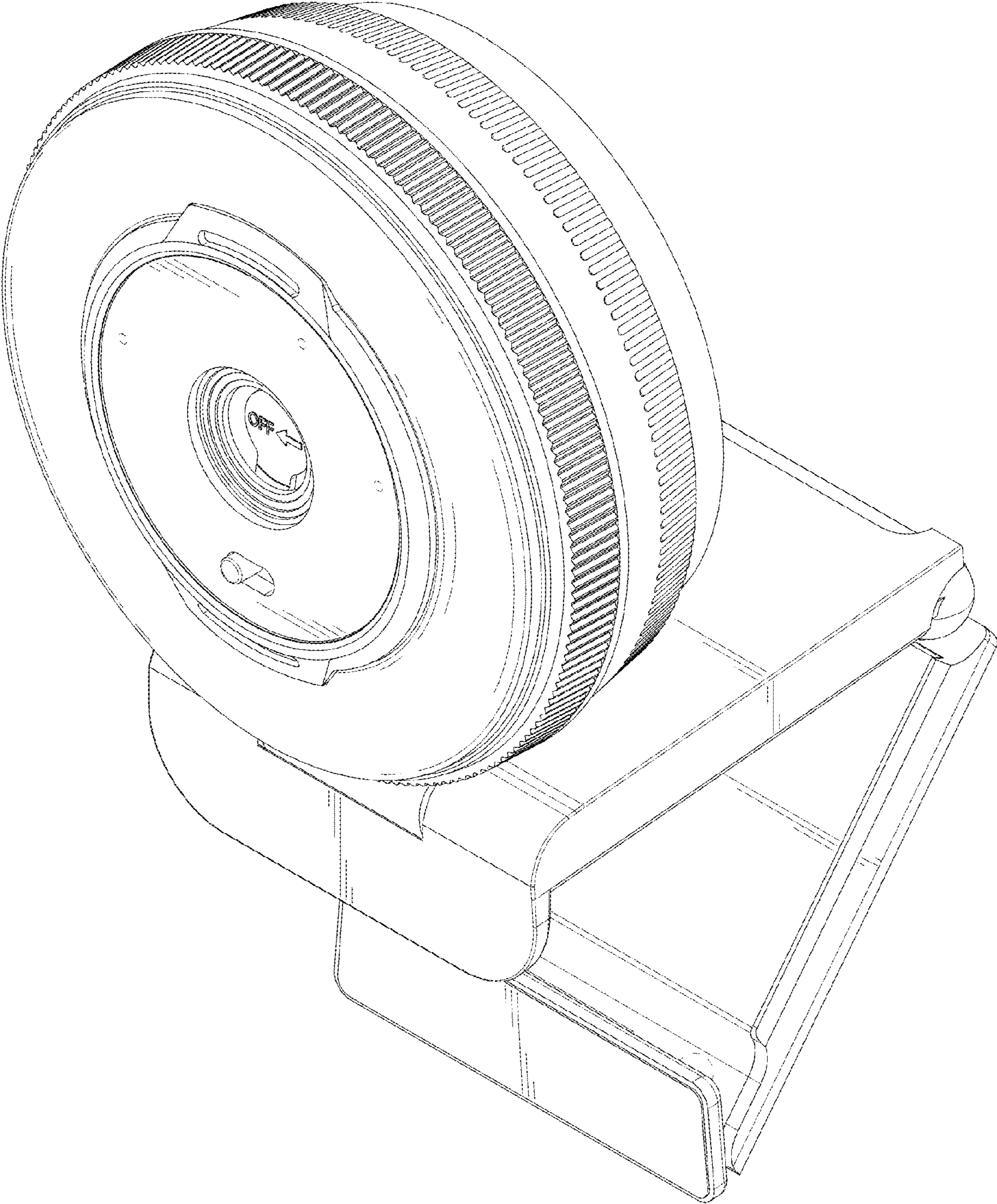


FIG.1

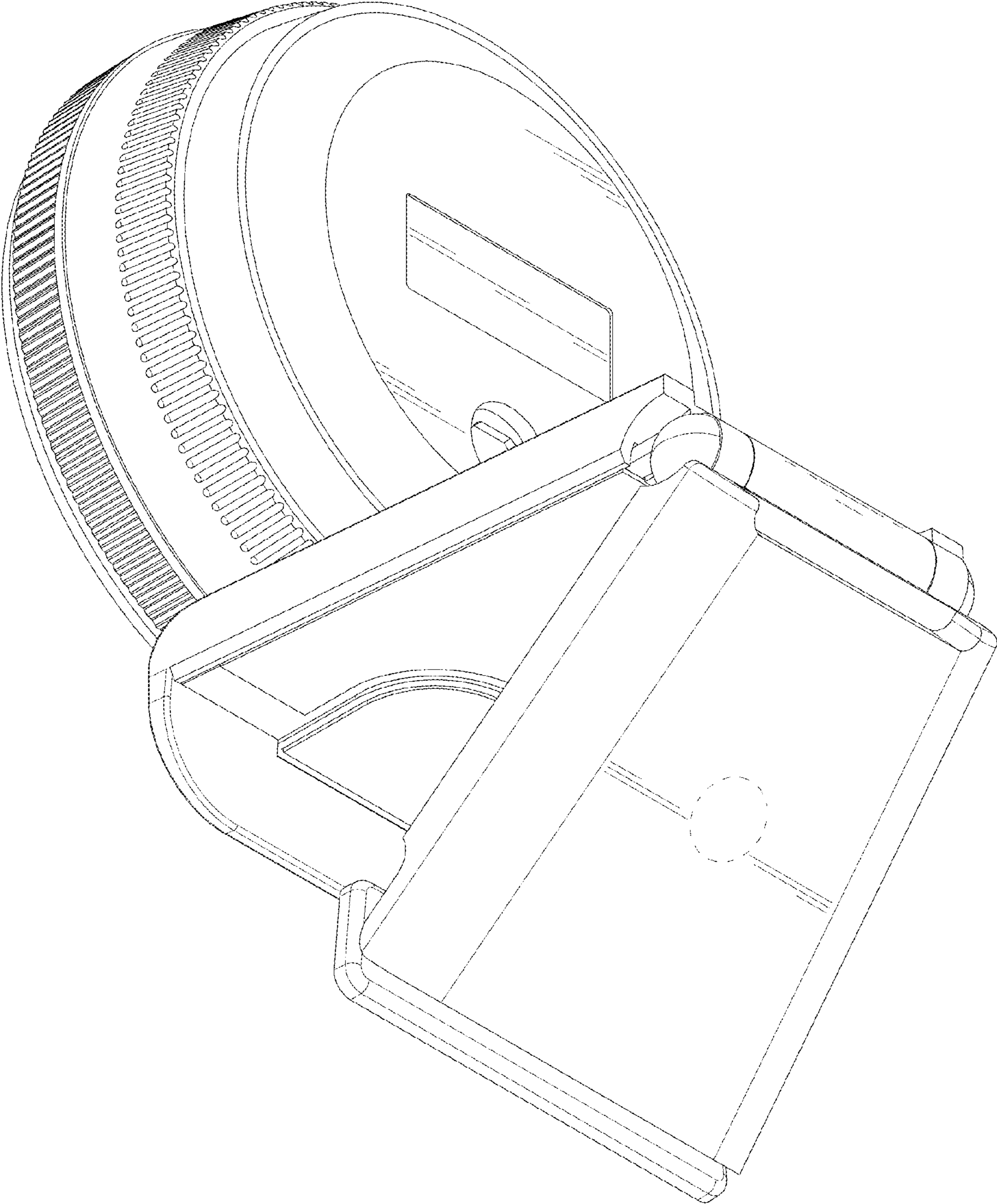


FIG. 2

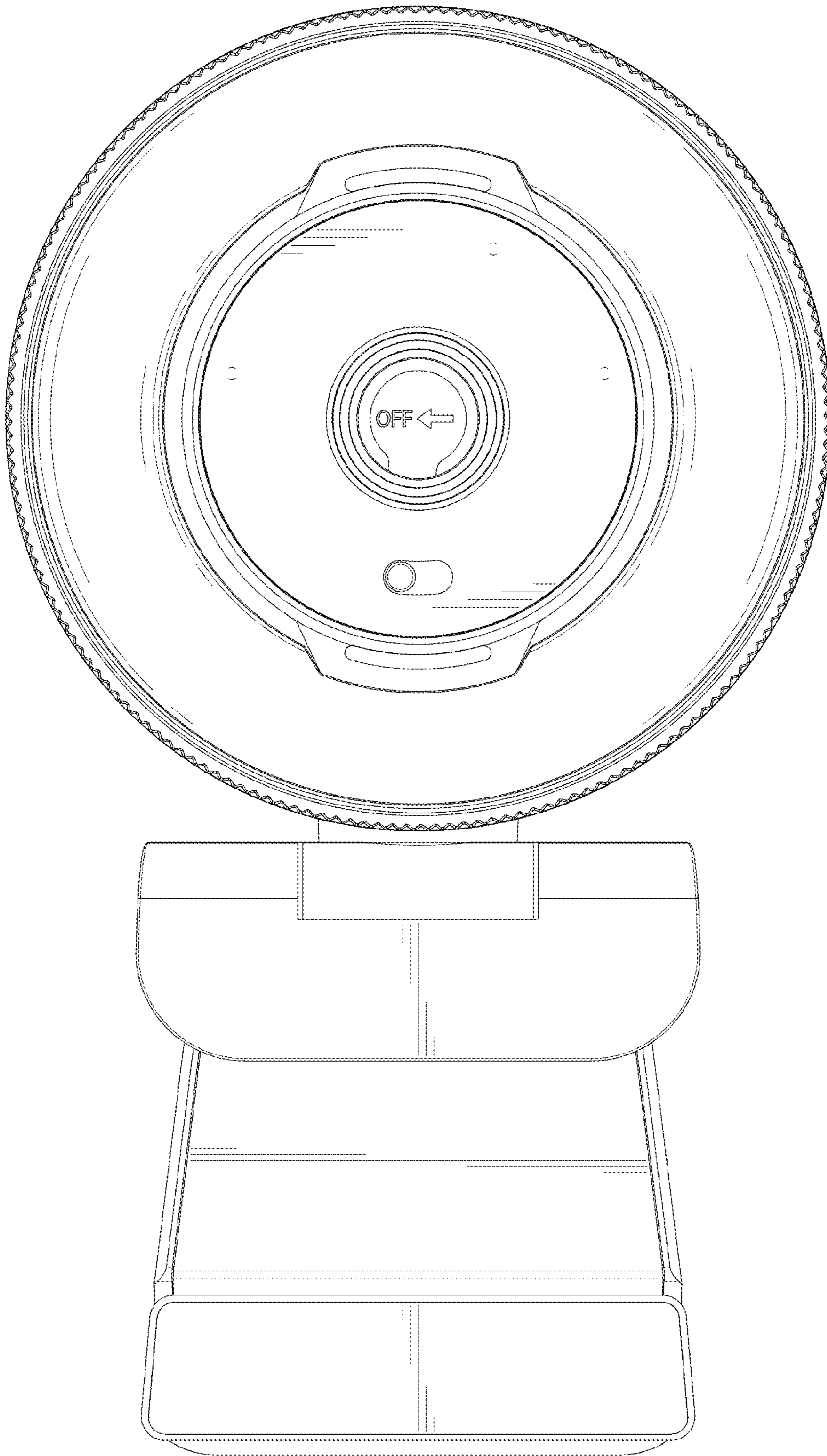


FIG.3

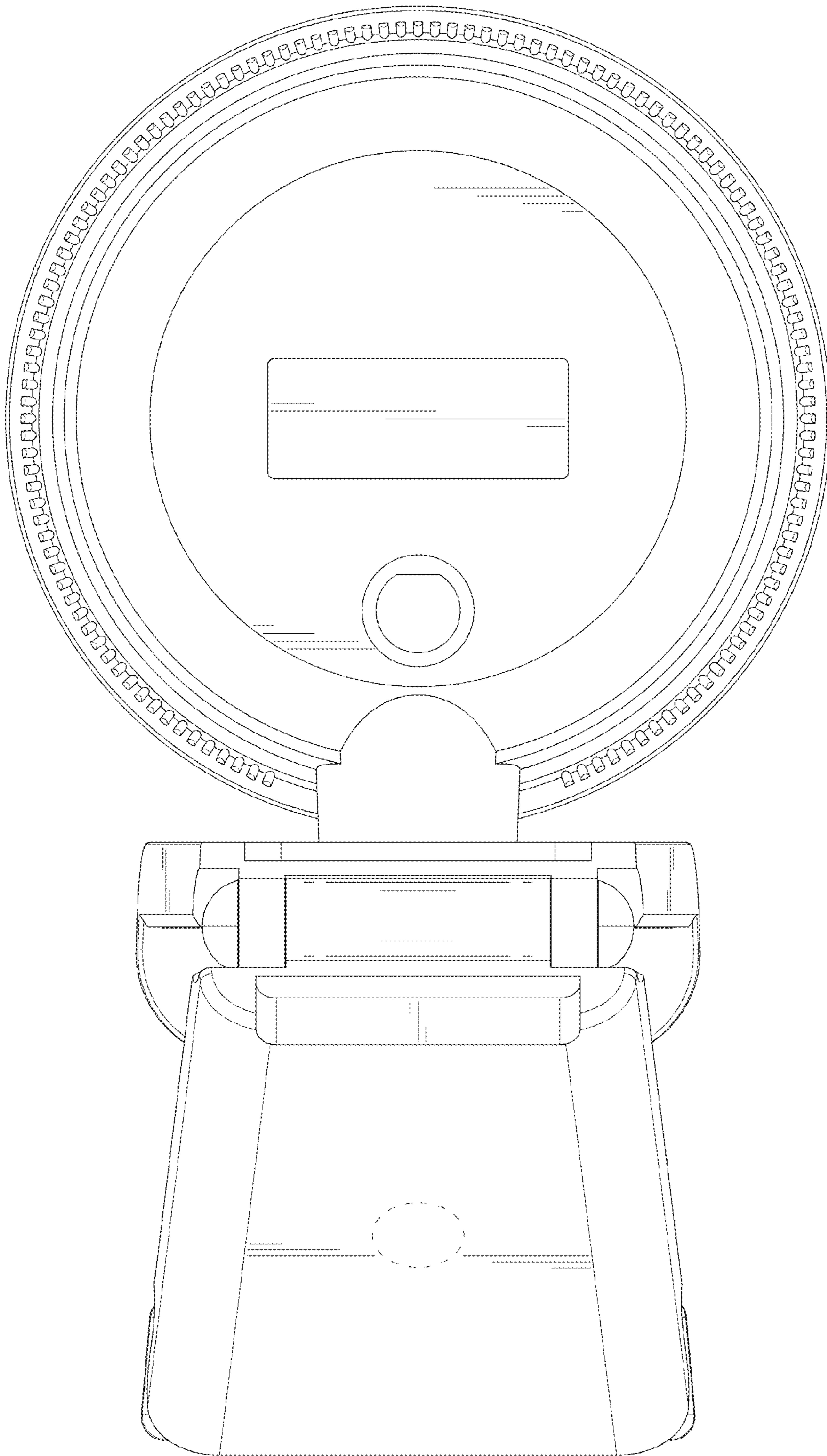


FIG. 4

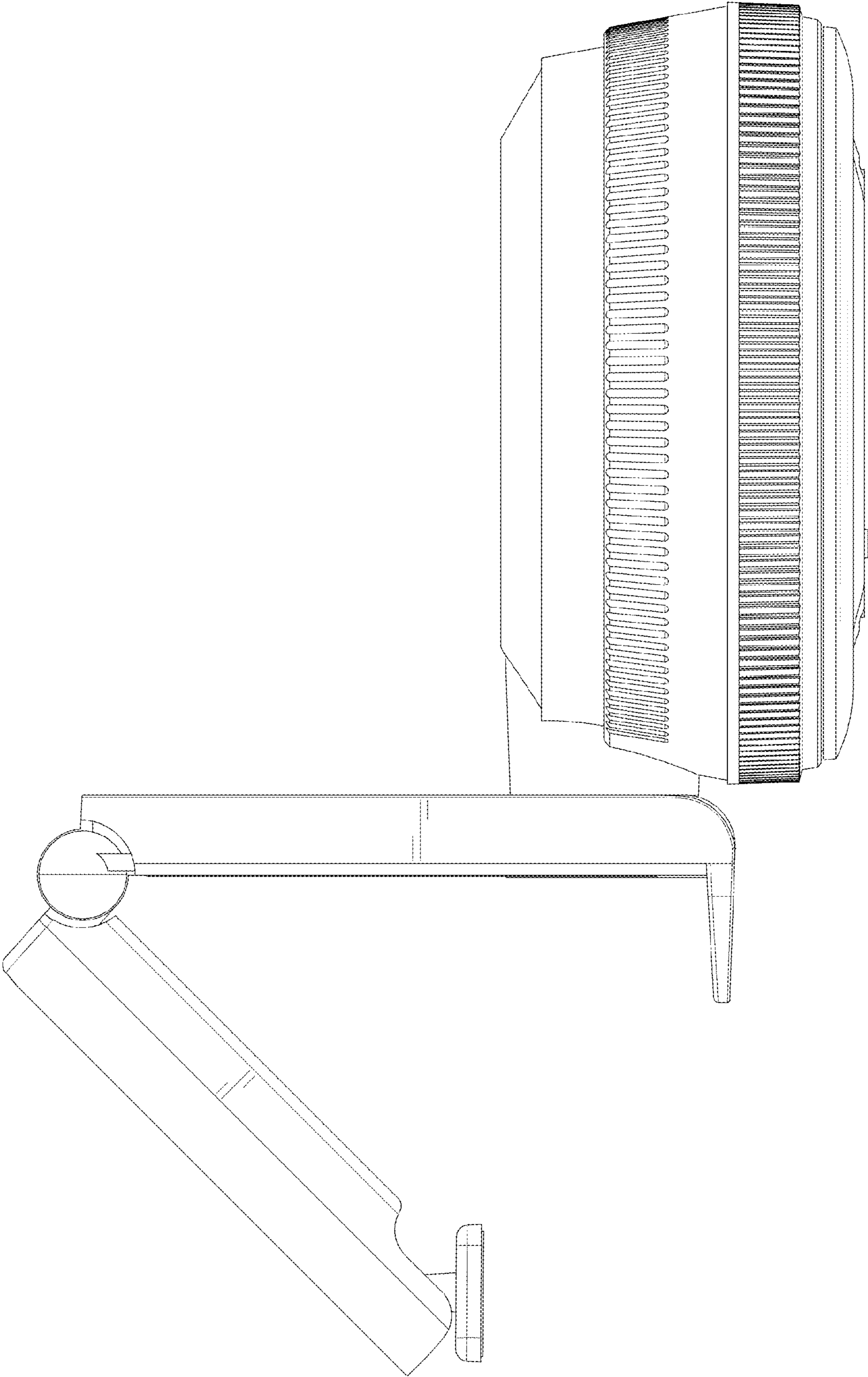


FIG.5

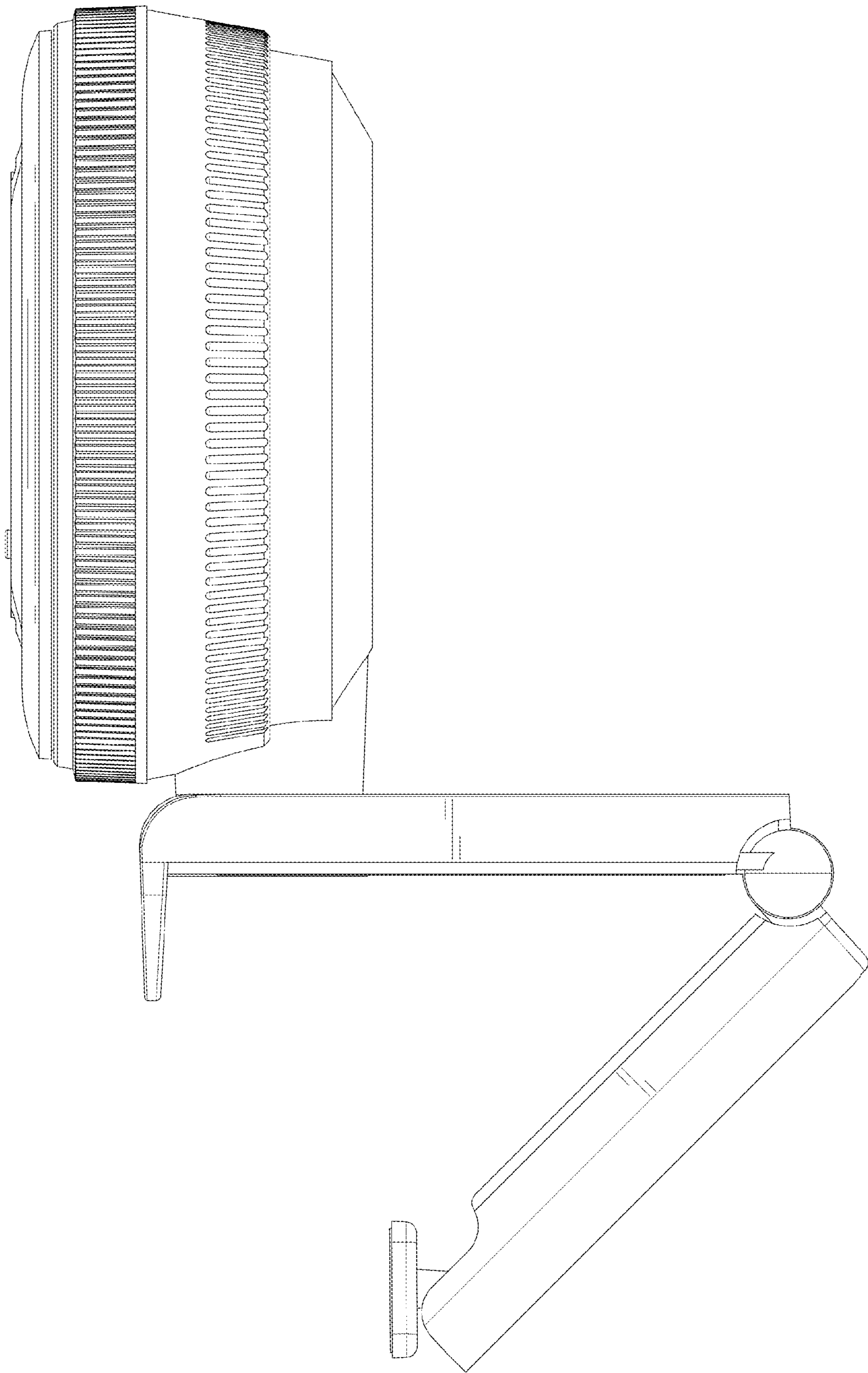


FIG.6

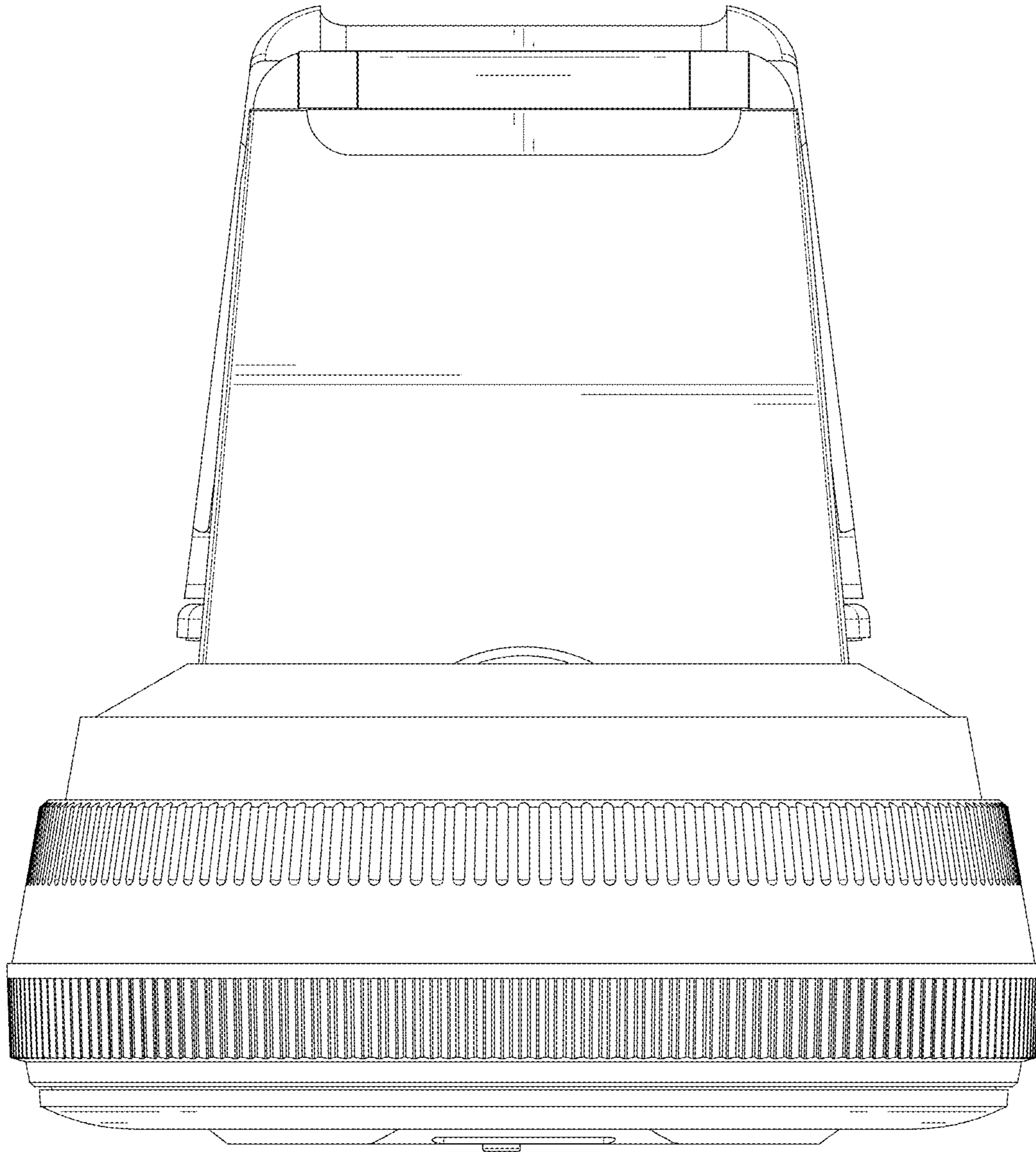


FIG. 7



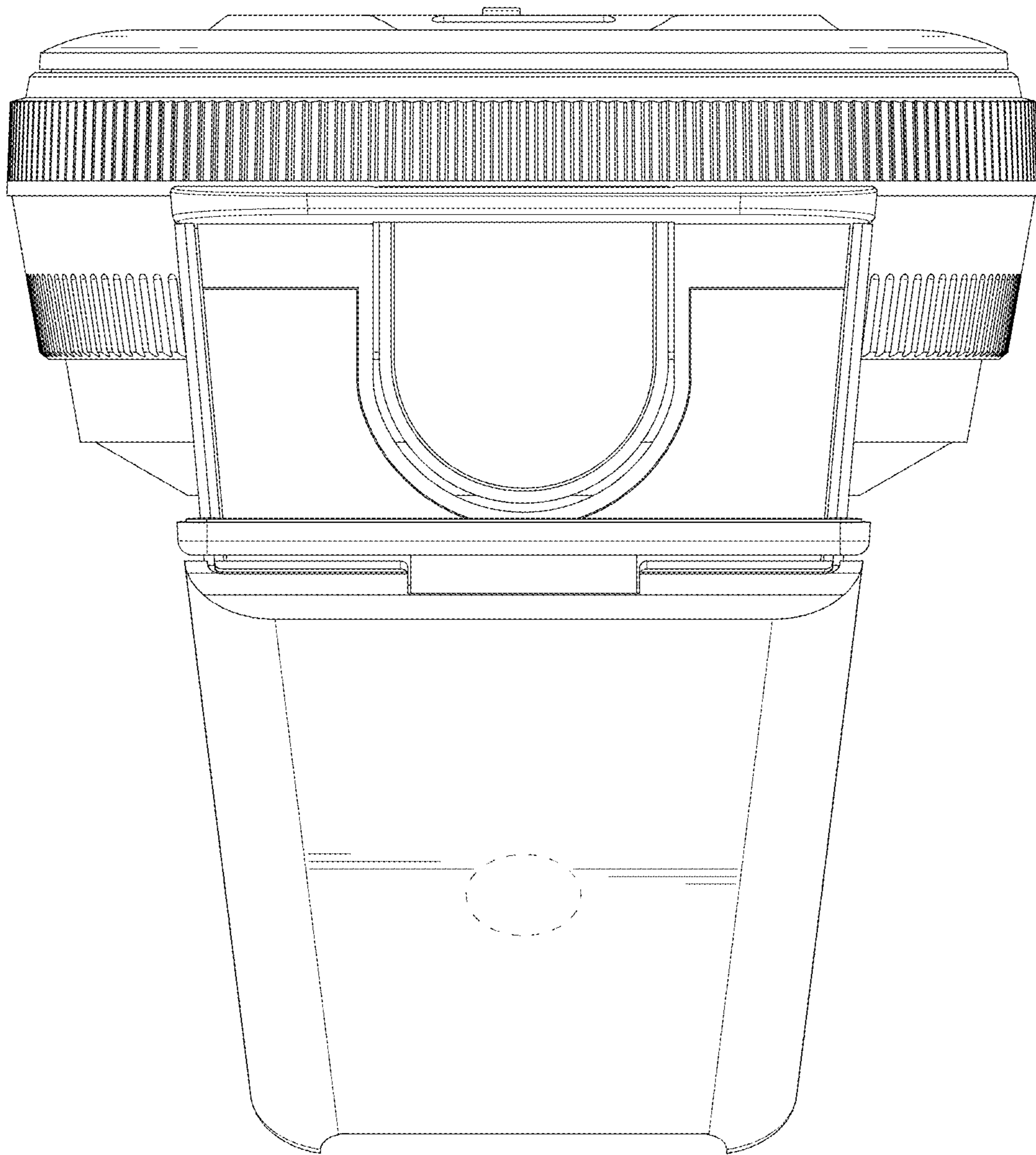


FIG.8