



US00D936123S

(12) **United States Design Patent**
Wu

(10) **Patent No.:** **US D936,123 S**

(45) **Date of Patent:** **** Nov. 16, 2021**

(54) **CAMERA**

(71) Applicant: **SHENZHEN XINZENGCAI
CREATIVE ELECTRONICS CO.,
LTD.**, Shenzhen (CN)

(72) Inventor: **Feiliang Wu**, Shenzhen (CN)

(73) Assignee: **SHENZHEN XINZENGCAI
CREATIVE ELECTRONICS CO.,
LTD.**, Shenzhen (CN)

(**) Term: **15 Years**

(21) Appl. No.: **29/772,344**

(22) Filed: **Mar. 1, 2021**

(51) **LOC (13) Cl.** **16-01**

(52) **U.S. Cl.**
USPC **D16/202**

(58) **Field of Classification Search**
USPC D16/200, 202–203, 208, 218, 219, 242;
248/187.1; 348/14.01–14.6, 143, 148,
348/151, 373–376; 396/419, 427, 428,
396/535, 539–541
CPC G03B 17/02; G03B 19/04; G03B 17/56;
G03B 17/04; G03B 15/03; H04N
2101/00; H04N 2007/145; H04N 7/141;
H04N 7/142; H04N 7/147; H04N 7/148;
H04N 7/15; H04N 7/152

See application file for complete search history.

(56) **References Cited**

U.S. PATENT DOCUMENTS

D478,922 S * 8/2003 Han D16/202
D537,095 S * 2/2007 Alden D16/202

D563,446 S * 3/2008 Stephens D16/202
D573,622 S * 7/2008 Fisher D16/202
D626,580 S * 11/2010 Tzeng D16/202
D626,983 S * 11/2010 Serge D16/202
D641,770 S * 7/2011 Hoehn D16/202
D651,230 S * 12/2011 Tan D16/202
D678,929 S * 3/2013 Hancock D16/203
D682,332 S * 5/2013 Wang D16/202
8,475,059 B2 * 7/2013 Khamsepoor H04N 5/2251
396/428
D849,088 S 5/2019 Lai
D849,089 S 5/2019 Lu

* cited by examiner

Primary Examiner — Ramzi Almatrahi

(74) *Attorney, Agent, or Firm* — ScienBiziP, P.C.

(57) **CLAIM**

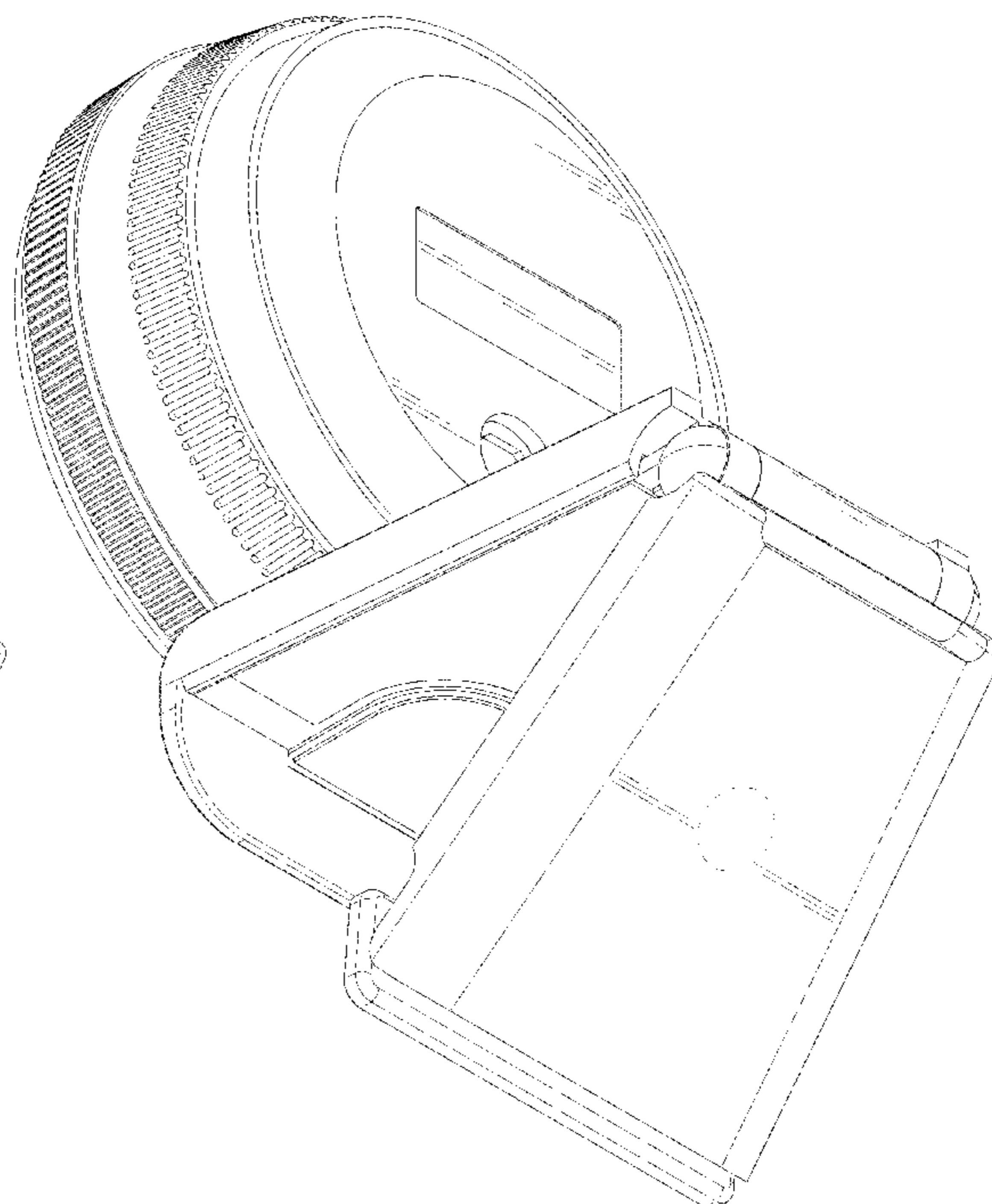
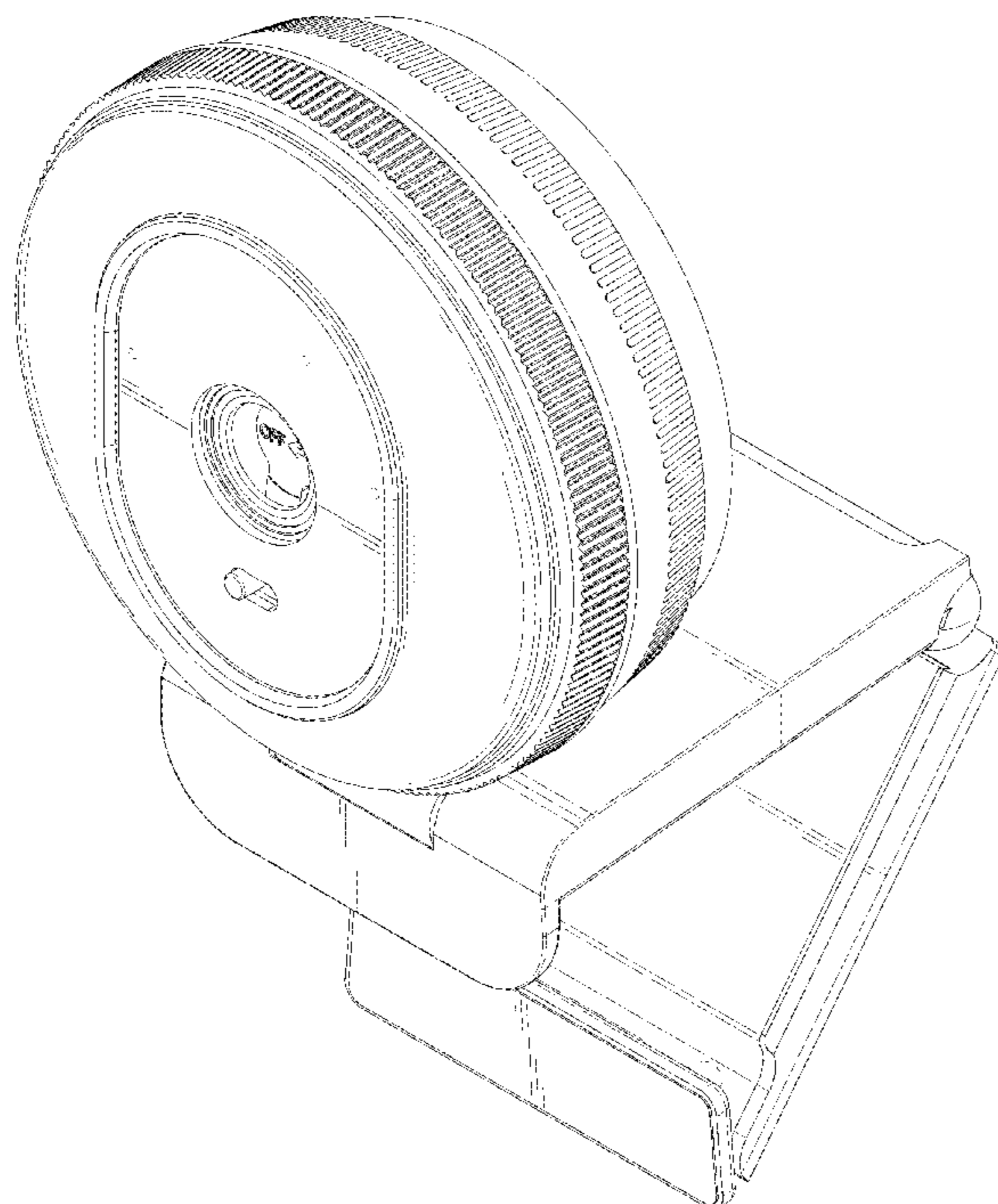
The ornamental design for a camera, as shown and described.

DESCRIPTION

FIG. 1 is a top, front and right side perspective view of a camera showing my new design;
FIG. 2 is a bottom, rear and right side perspective view thereof;
FIG. 3 is a front elevation view thereof;
FIG. 4 is a rear elevation view thereof;
FIG. 5 is a left side elevation view thereof;
FIG. 6 is a right side elevation view thereof;
FIG. 7 is a top plan view thereof; and,
FIG. 8 is a bottom plan view thereof.

The broken lines shown in the drawings are included for the purpose of illustrating portions of the camera that form no part of the claimed design.

1 Claim, 8 Drawing Sheets



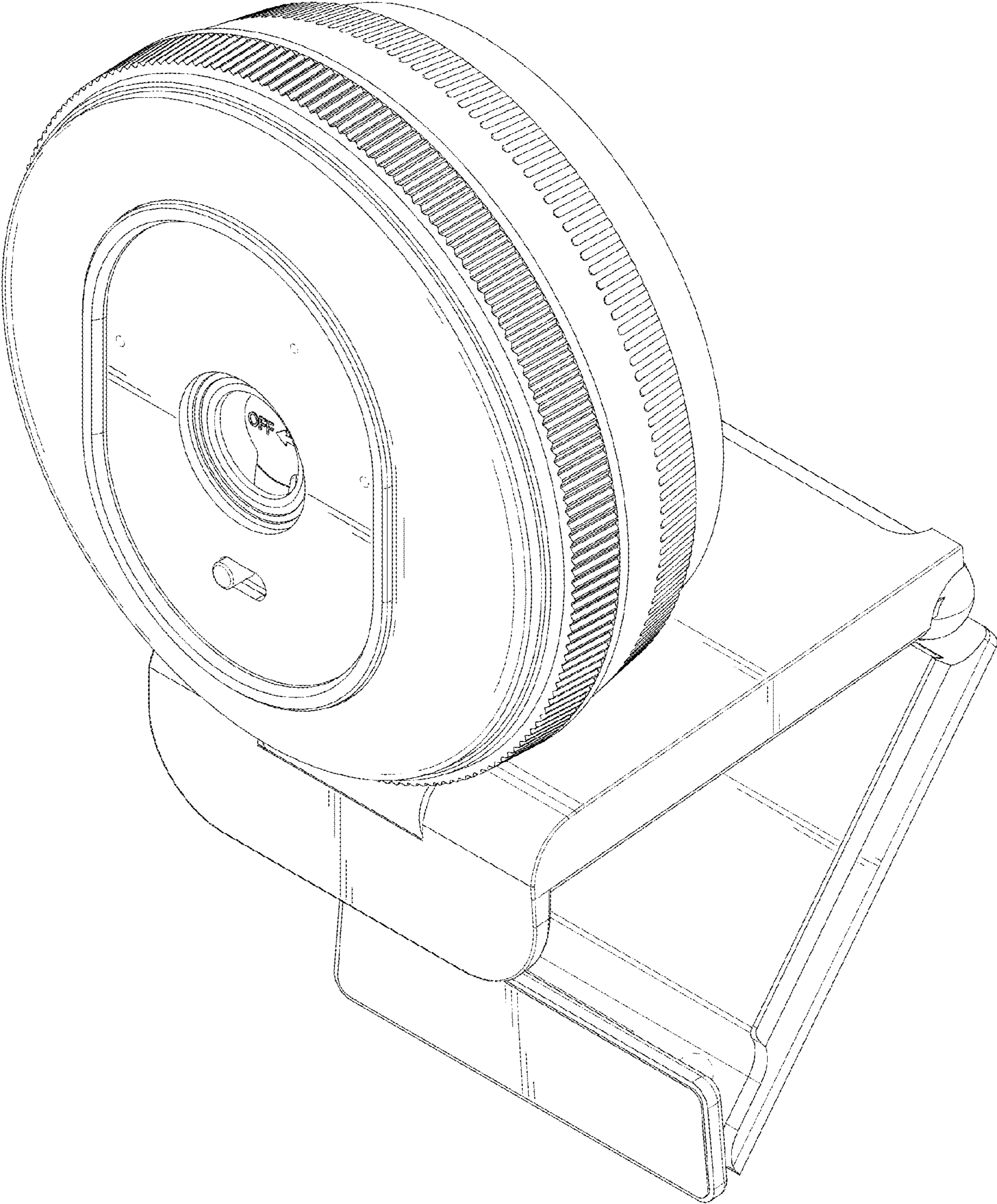


FIG.1

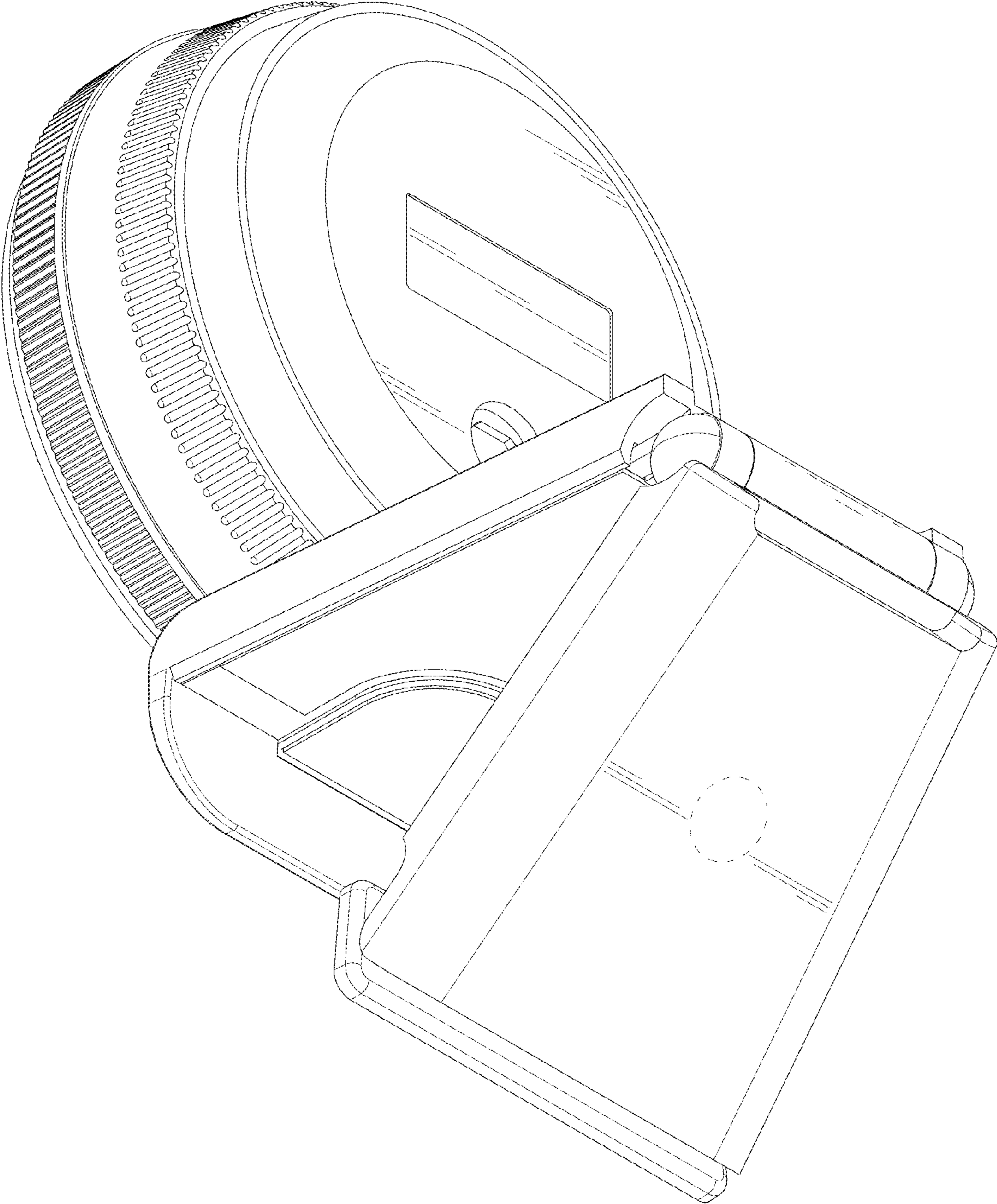


FIG. 2

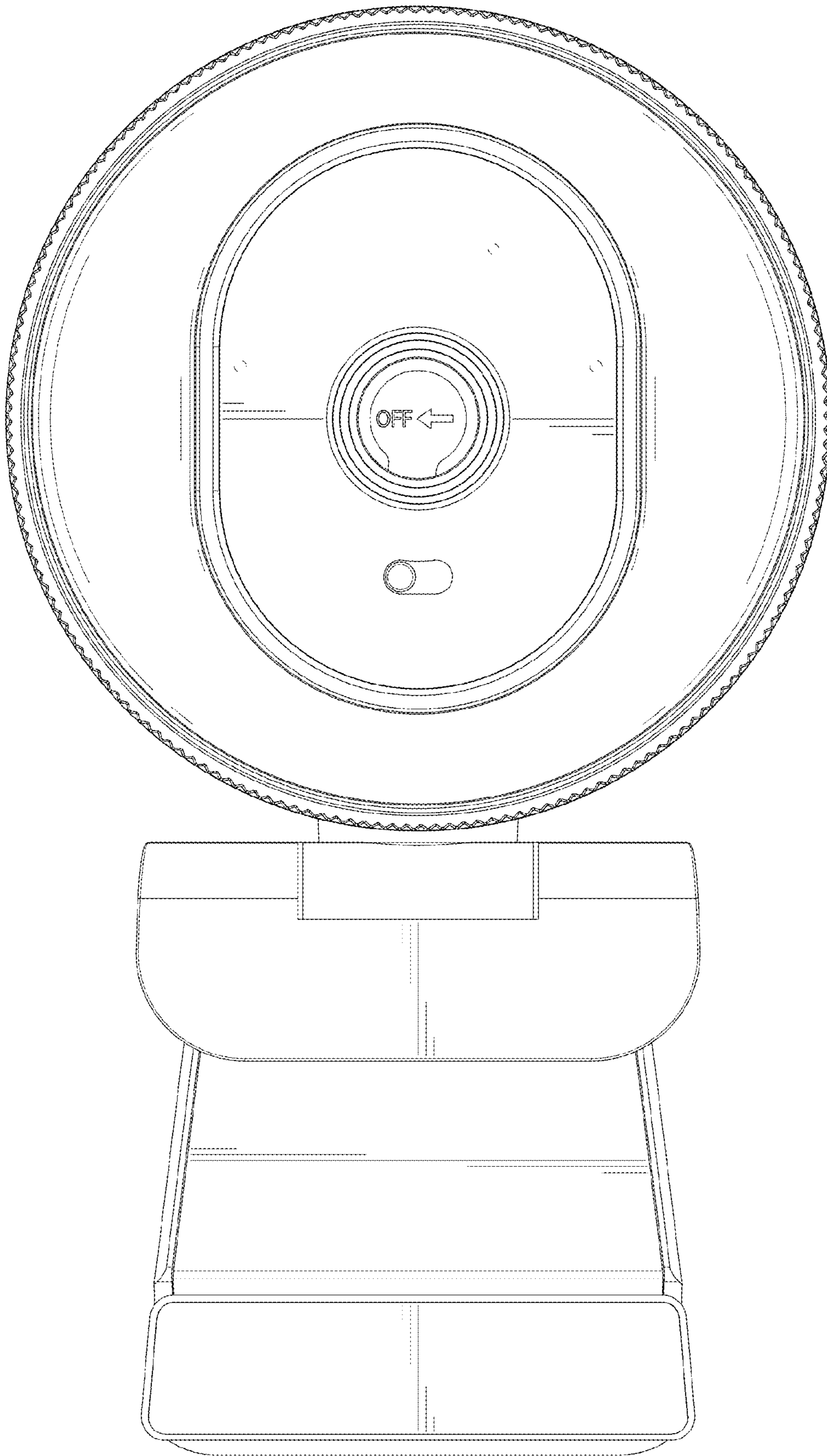


FIG.3

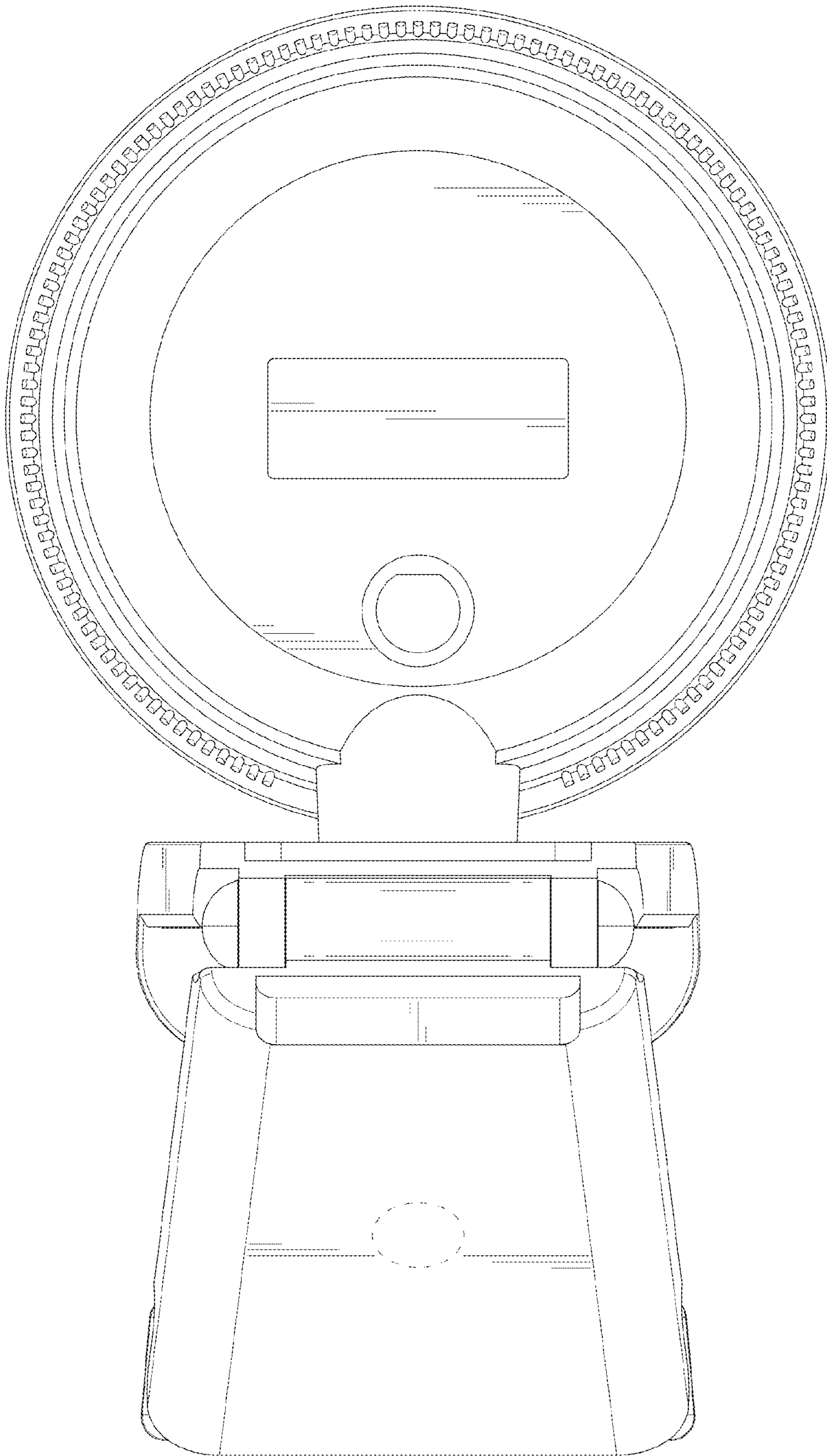


FIG. 4

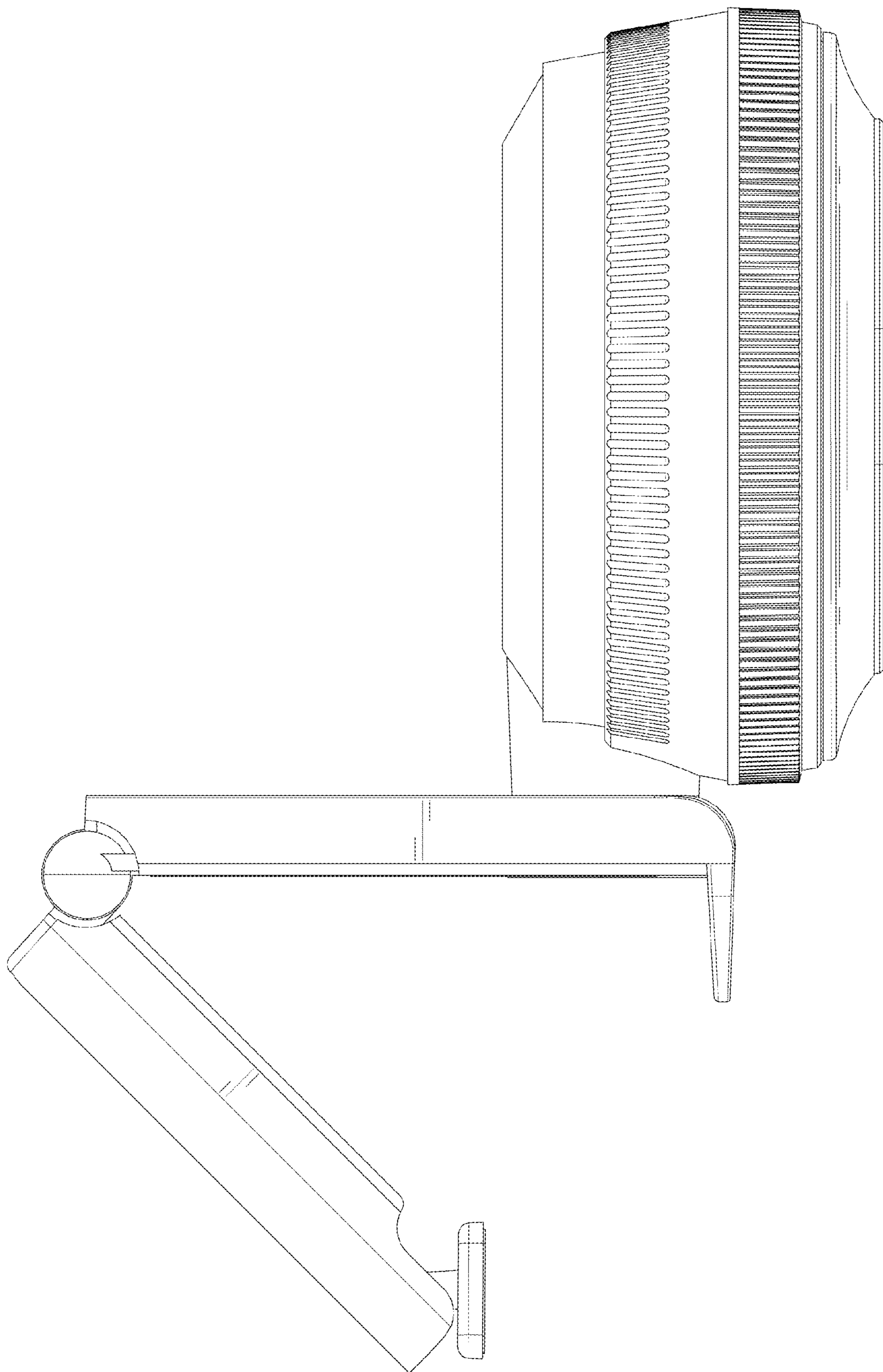


FIG. 5

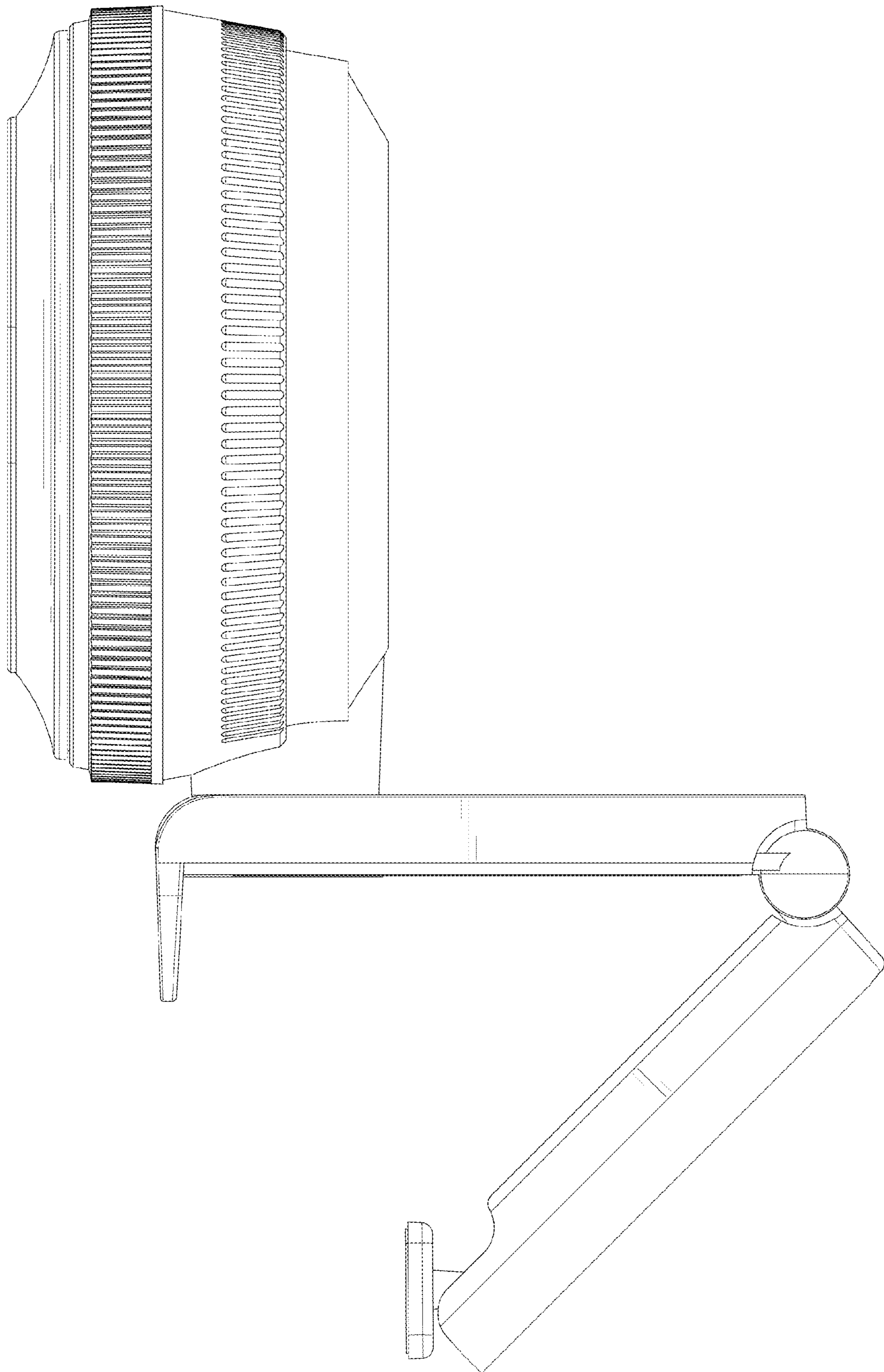


FIG 6

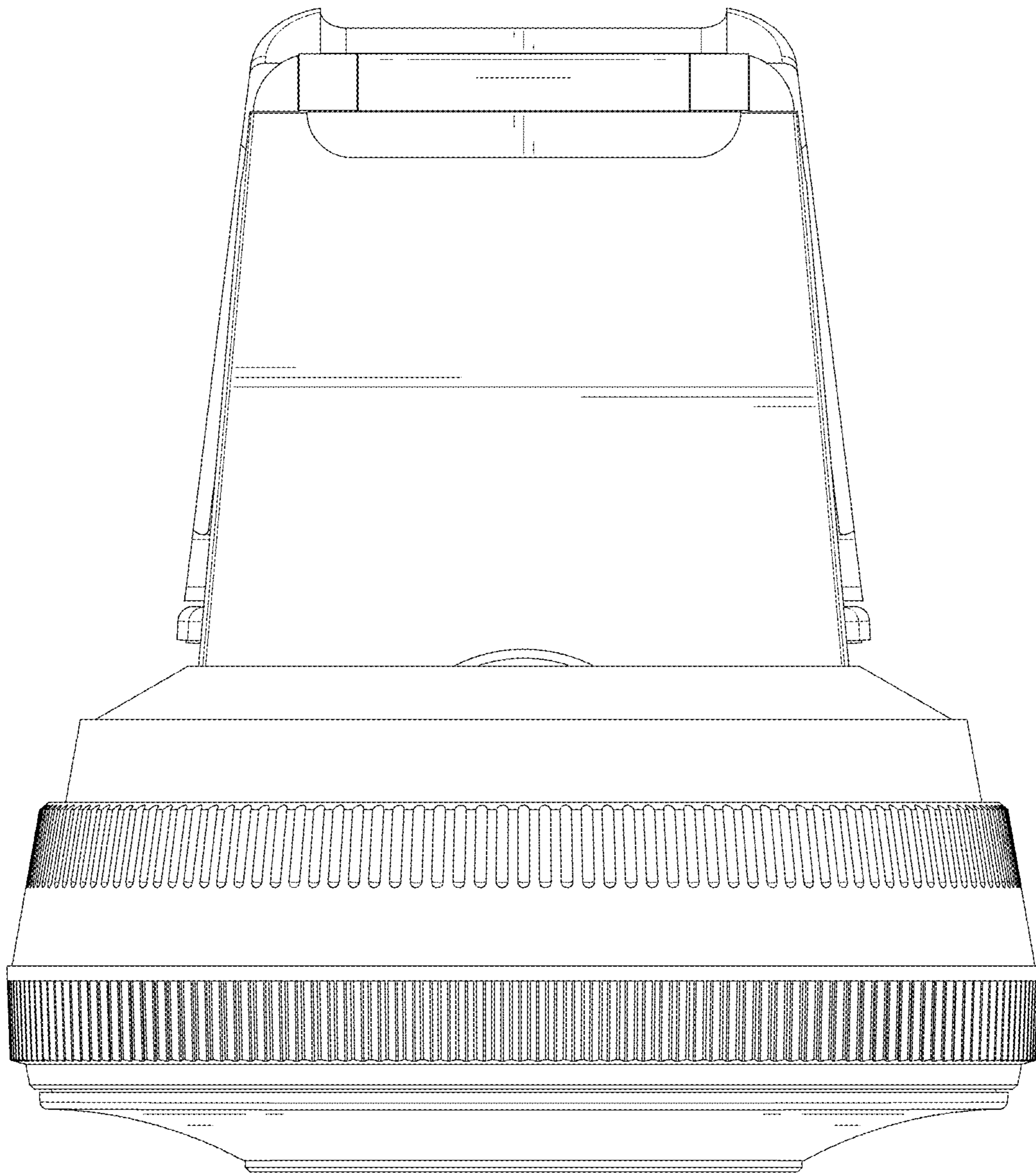


FIG. 7

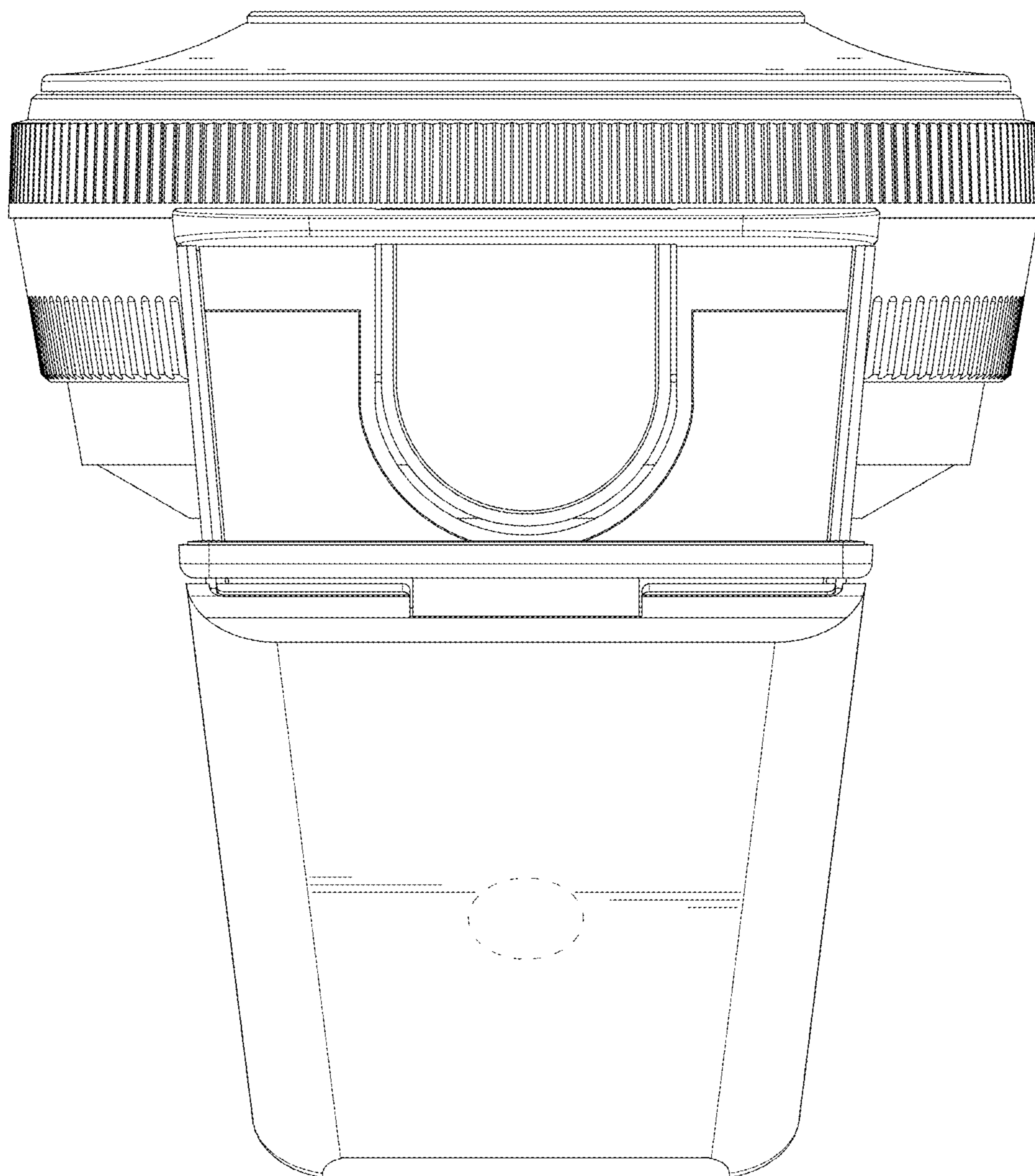


FIG.8