



US00D936122S

(12) **United States Design Patent**  
**Wang et al.**

(10) **Patent No.:** **US D936,122 S**

(45) **Date of Patent:** **\*\* Nov. 16, 2021**

(54) **THERMAL IMAGING CAMERA**

(71) Applicant: **Hangzhou Ezviz Software Co., Ltd.**,  
Hangzhou (CN)

(72) Inventors: **Wei Wang**, Hangzhou (CN); **Jiayin Song**, Hangzhou (CN); **Weike Zhu**, Hangzhou (CN)

(73) Assignee: **HANGZHOU EZVIZ SOFTWARE CO., LTD.**, Hangzhou (CN)

(\*\*) Term: **15 Years**

(21) Appl. No.: **29/652,360**

(22) Filed: **Jul. 27, 2020**

(30) **Foreign Application Priority Data**

Mar. 27, 2020 (CN) ..... 202030110217.4

(51) **LOC (13) Cl.** ..... **16-01**

(52) **U.S. Cl.**  
USPC ..... **D16/202**

(58) **Field of Classification Search**  
USPC ..... D16/200, 202–203, 207, 208, 218, 219;  
D14/203.1, 204, 209.1, 496, 497;  
348/14.01–14.16, 164, 373–376;  
396/427, 535, 539–541

CPC ..... G03B 17/02; G03B 19/04; G03B 17/56;  
G03B 17/04; G03B 15/03; H04N 5/2251;  
H04N 5/2252; H04N 5/2253; H04N  
5/2254; H04N 2101/00; H04N 2007/145;  
H04N 7/141; H04N 7/142; H04N 7/147;  
H04N 7/148; H04N 7/15; H04N 7/152  
See application file for complete search history.

(56) **References Cited**

**U.S. PATENT DOCUMENTS**

D455,768 S \* 4/2002 Tsang ..... D16/202  
D651,229 S \* 12/2011 Tan ..... D16/202

D654,942 S \* 2/2012 Khamsepoor ..... D16/202  
D665,439 S \* 8/2012 Khamsepoor ..... D16/202  
D682,332 S \* 5/2013 Wang ..... D16/202  
D849,089 S \* 5/2019 Lu ..... D16/202  
D849,108 S \* 5/2019 Huang ..... D16/218  
D872,158 S \* 1/2020 Bytyqi ..... D16/202  
D902,971 S \* 11/2020 Voron ..... D16/202  
D907,091 S \* 1/2021 Lv ..... D16/202  
D910,730 S \* 2/2021 Hao ..... D16/202  
D912,717 S \* 3/2021 Russo ..... D16/202  
D924,299 S \* 7/2021 Gartrell ..... D16/202

\* cited by examiner

*Primary Examiner* — Ramzi Almatrahi

(74) *Attorney, Agent, or Firm* — Norton Rose Fulbright  
US LLP

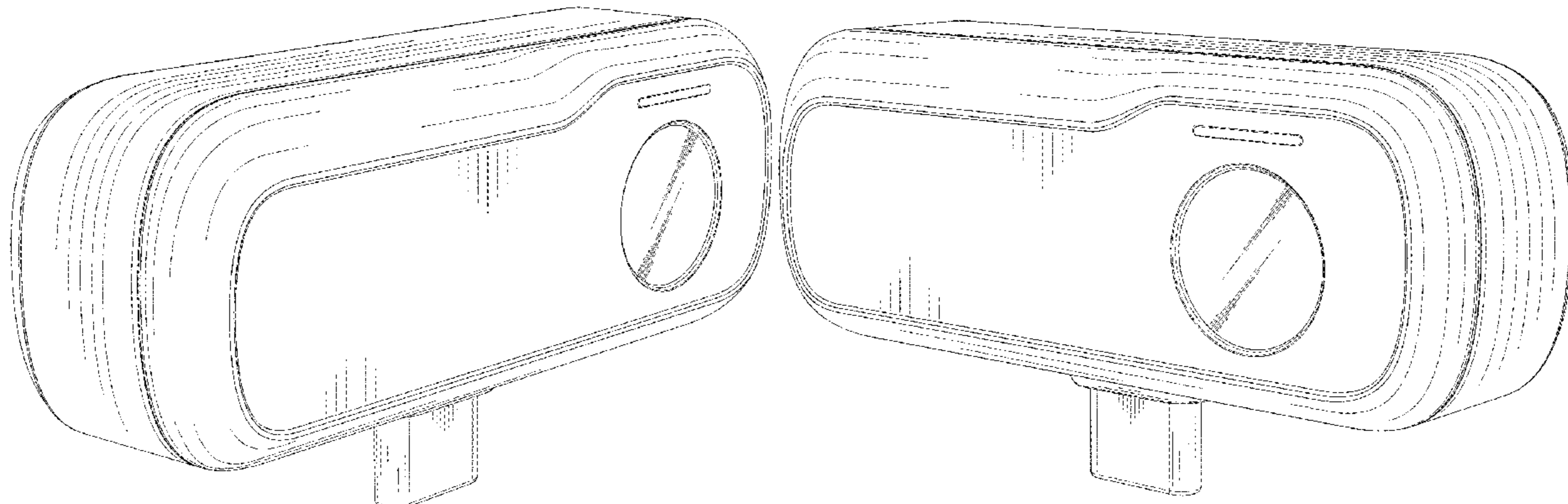
(57) **CLAIM**

The ornamental design for a thermal imaging camera, as shown and described.

**DESCRIPTION**

FIG. 1 is a front elevation view of a thermal imaging camera showing our new design;  
FIG. 2 is a back elevation view thereof;  
FIG. 3 is a left side elevation view thereof;  
FIG. 4 is a right side elevation view thereof;  
FIG. 5 is a top plan view thereof;  
FIG. 6 is a bottom plan view thereof;  
FIG. 7 is a top, front and left side perspective view thereof; and,  
FIG. 8 is a top, front and right side perspective view thereof. The broken lines depict portions of the thermal imaging camera in which the design is embodied that form no part of the claimed design.

**1 Claim, 8 Drawing Sheets**



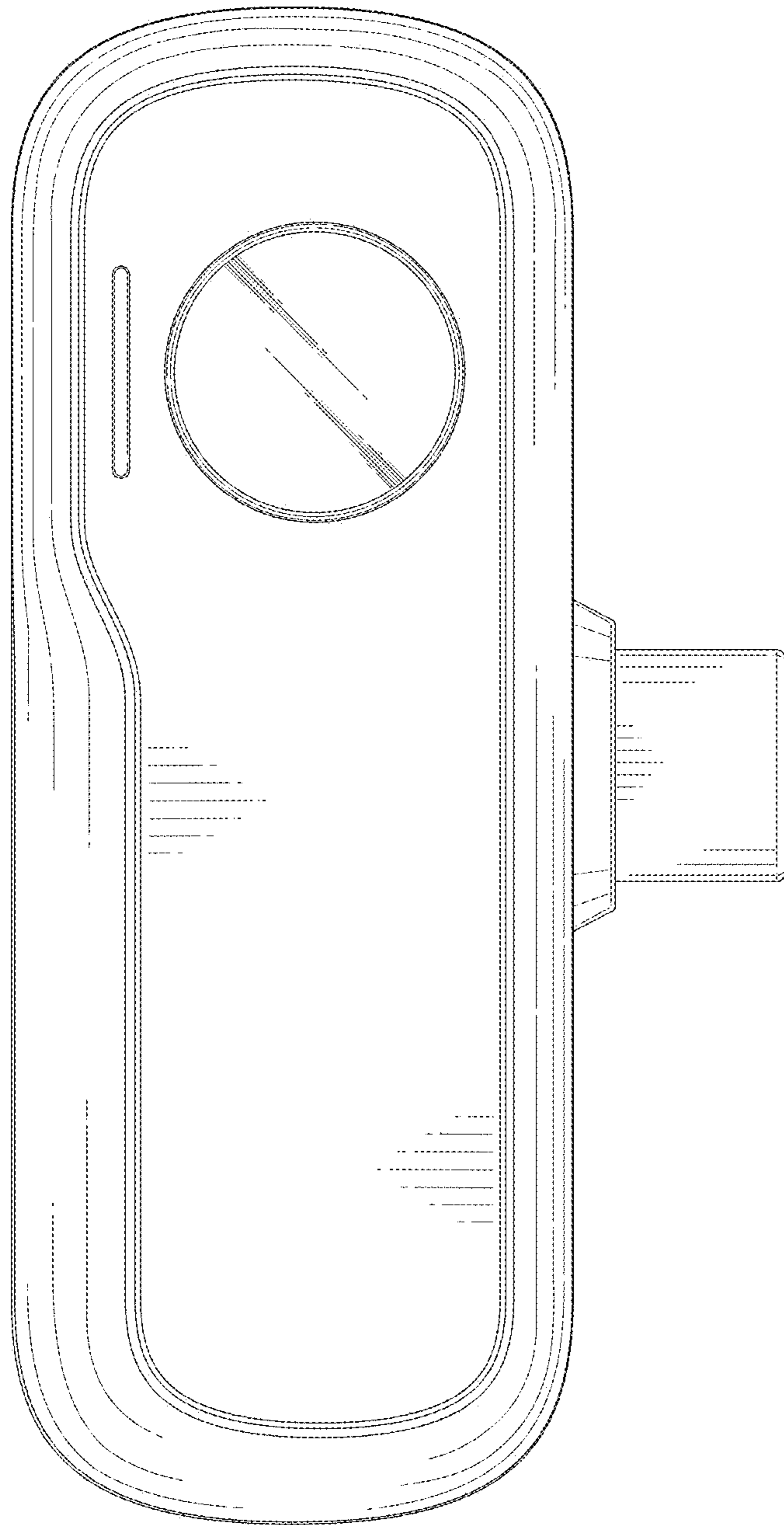


FIG.1

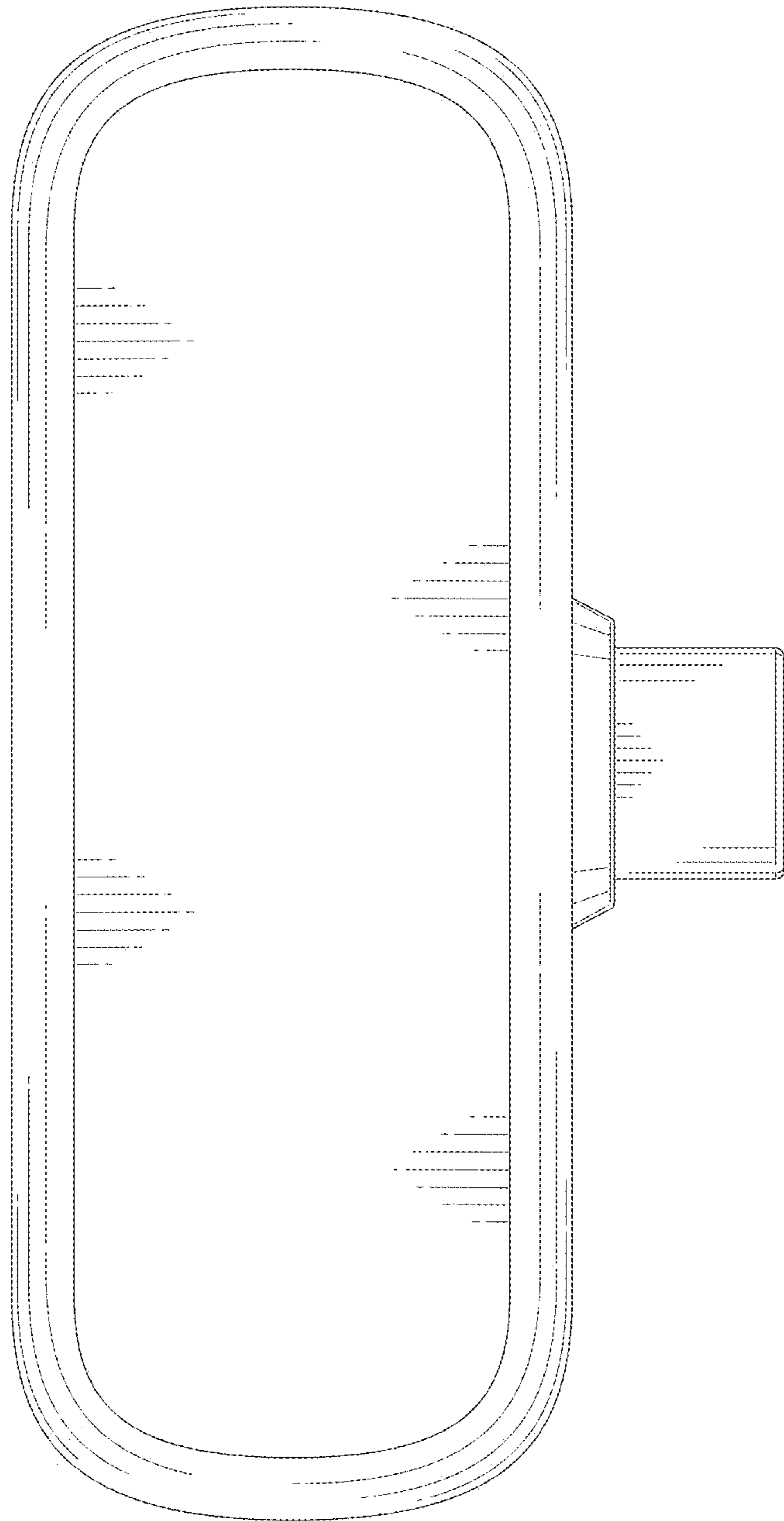


FIG.2

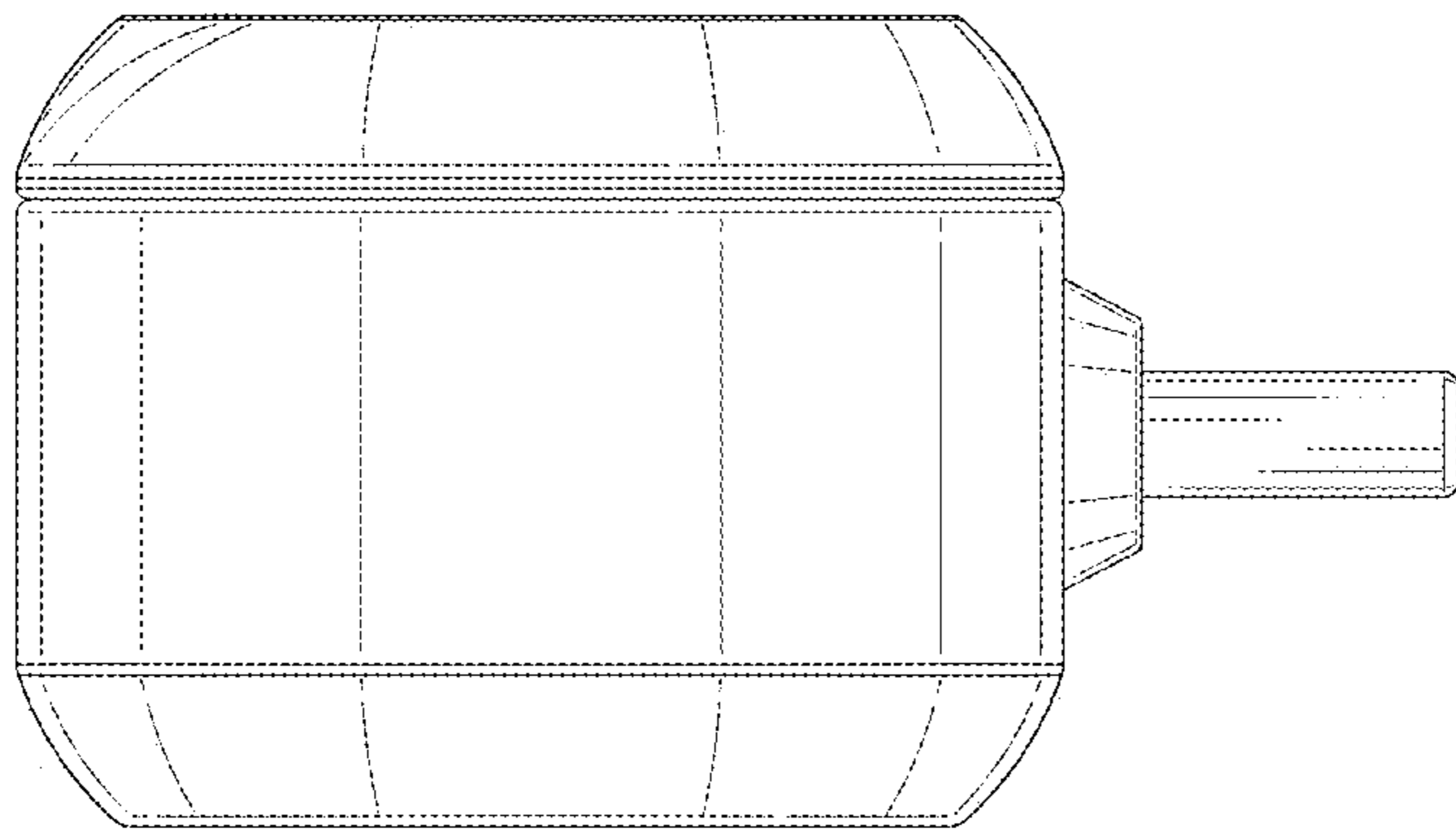


FIG.3

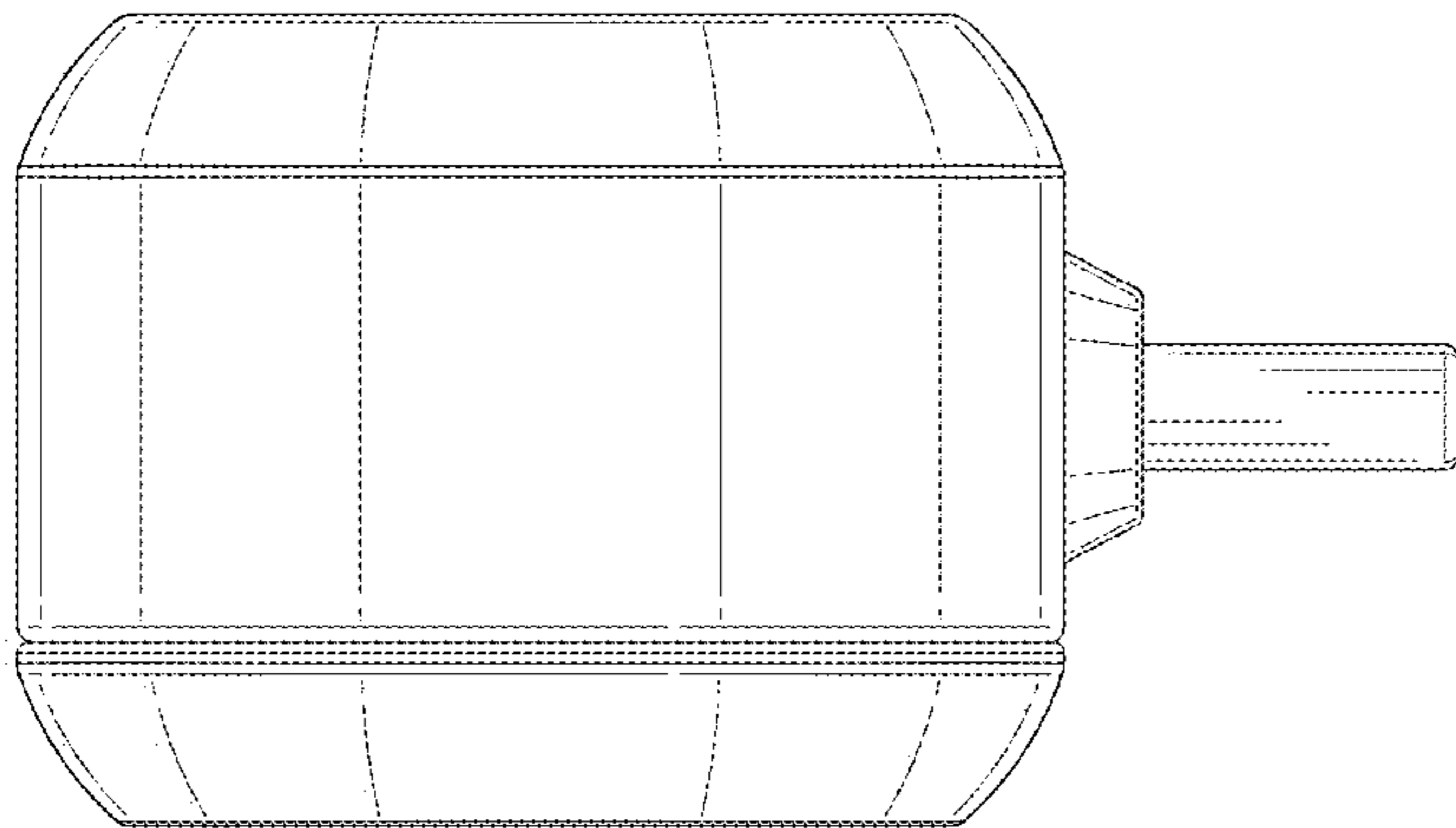


FIG. 4

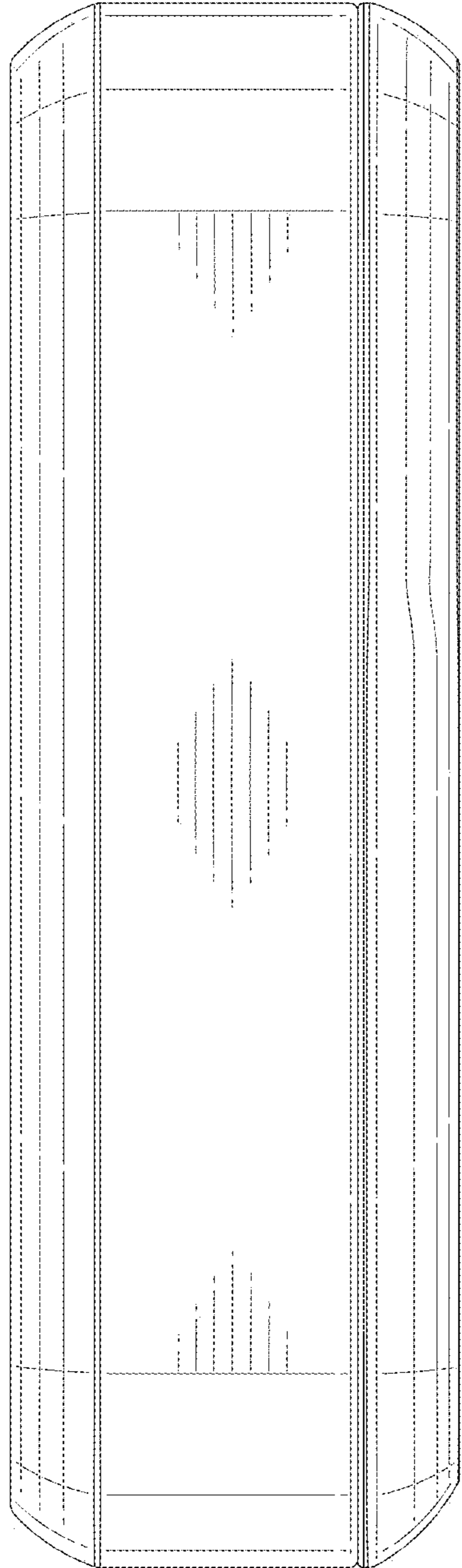


FIG.5

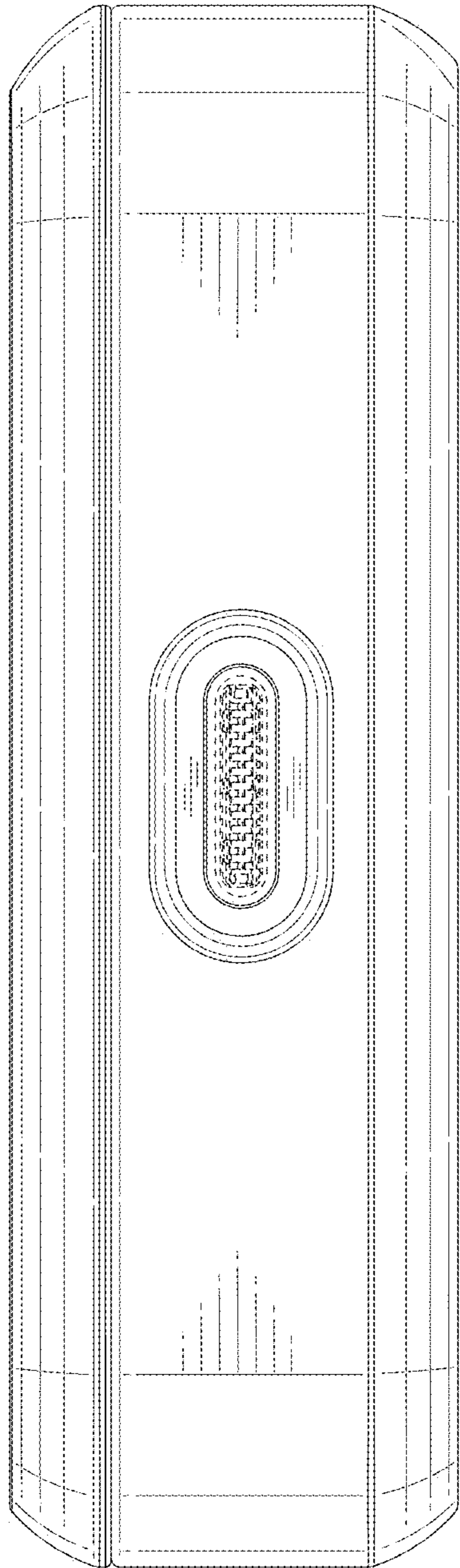


FIG.6

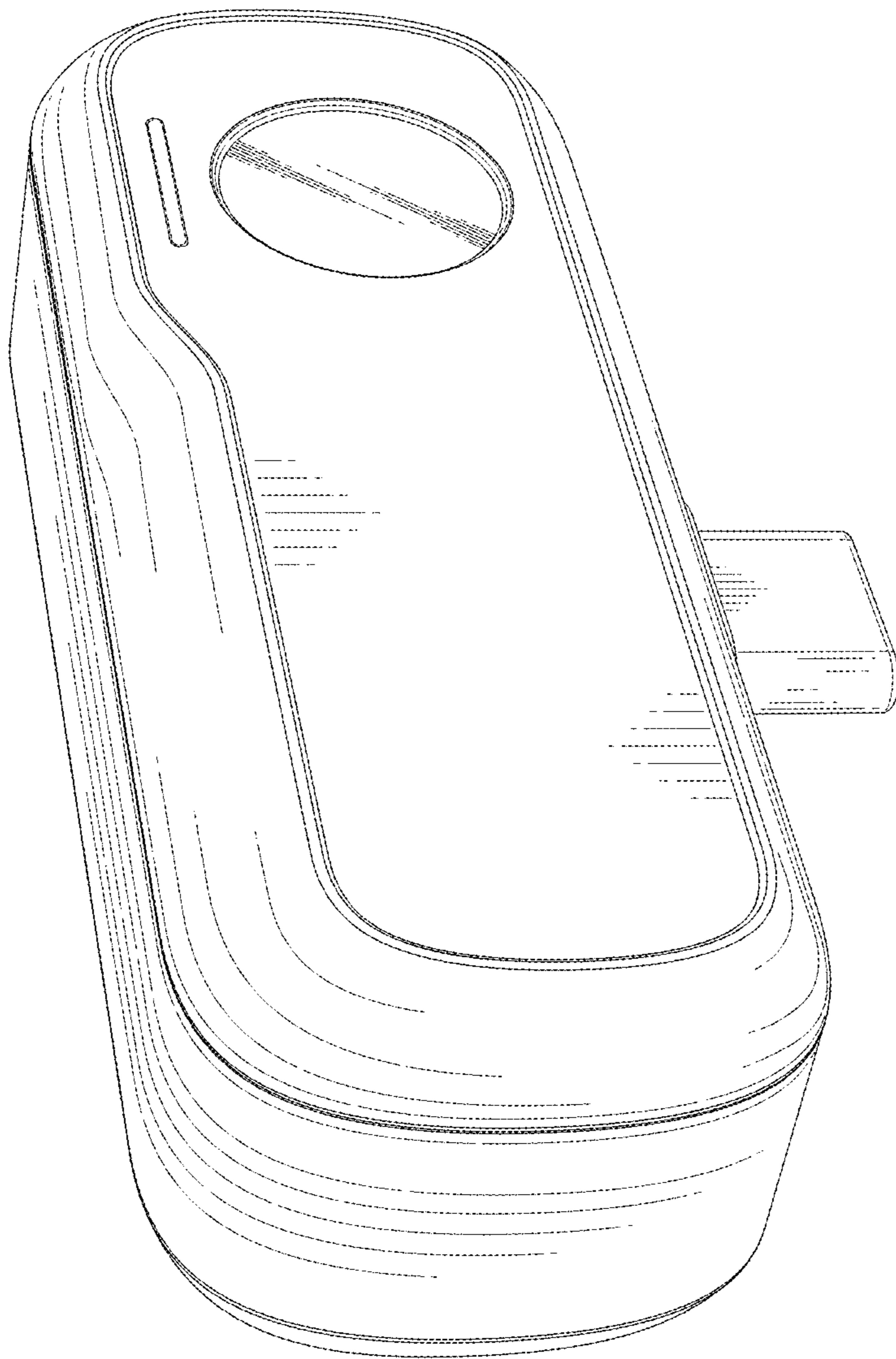


FIG.7



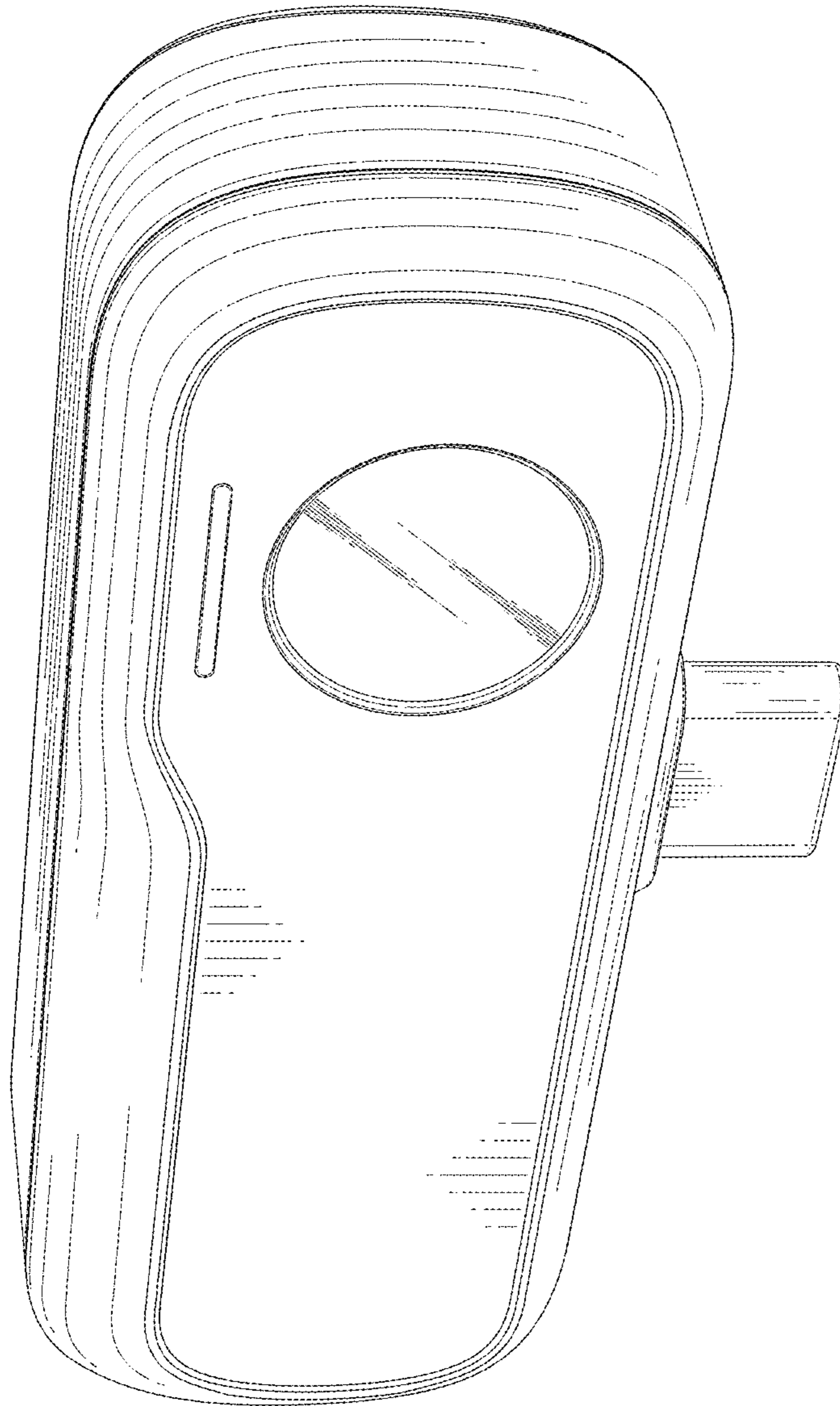


FIG.8