

US00D936121S

(12) **United States Design Patent** (10) **Patent No.:** **US D936,121 S**
Abe et al. (45) **Date of Patent:** **** Nov. 16, 2021**

(54) **INDUSTRIAL ROBOT**

(57) **CLAIM**

(71) Applicant: **FANUC CORPORATION**, Yamanashi (JP)

The ornamental design for an industrial robot, as shown and described.

(72) Inventors: **Kenichiro Abe**, Yamanashi (JP);
Masahiro Morioka, Yamanashi (JP);
Toshiro Watanabe, Yamanashi (JP)

DESCRIPTION

(73) Assignee: **FANUC CORPORATION**, Yamanashi (JP)

FIG. 1 is a first perspective view of an industrial robot showing a first embodiment of our new design;
FIG. 2 is a second perspective view thereof;
FIG. 3 is a third perspective view thereof;
FIG. 4 is a fourth perspective view thereof;
FIG. 5 is a front view thereof;
FIG. 6 is a rear view thereof;
FIG. 7 is a top plan thereof;
FIG. 8 is a bottom plan view thereof;
FIG. 9 is a right side view thereof;
FIG. 10 is a left side view thereof;
FIG. 11 is a first perspective view of an industrial robot showing a second embodiment of our new design;
FIG. 12 is a second perspective view thereof;
FIG. 13 is a third perspective view thereof;
FIG. 14 is a fourth perspective view thereof;
FIG. 15 is a front view thereof;
FIG. 16 is a rear view thereof;
FIG. 17 is a top plan thereof;
FIG. 18 is a bottom plan view thereof;
FIG. 19 is a right side view thereof;
FIG. 20 is a left side view thereof;
FIG. 21 is a first perspective view of an industrial robot showing a third embodiment of our new design;
FIG. 22 is a second perspective view thereof;
FIG. 23 is a third perspective view thereof;
FIG. 24 is a fourth perspective view thereof;
FIG. 25 is a front view thereof;
FIG. 26 is a rear view thereof;
FIG. 27 is a top plan thereof;
FIG. 28 is a bottom plan view thereof;
FIG. 29 is a right side view thereof; and
FIG. 30 is a left side view thereof.
The broken line showing of the remainder of the industrial robot represents portions which form no part of the claimed design.

(**) Term: **15 Years**

(21) Appl. No.: **29/799,613**

(22) Filed: **Jul. 15, 2021**

Related U.S. Application Data

(62) Division of application No. 29/707,931, filed on Oct. 2, 2019.

(30) **Foreign Application Priority Data**

Apr. 5, 2019 (JP) 2019-007453

(51) **LOC (13) Cl.** **15-99**

(52) **U.S. Cl.**
USPC **15/199**

(58) **Field of Classification Search**
USPC D15/199; D21/578-583, 621, 622;
D32/21; D34/34

(Continued)

(56) **References Cited**

U.S. PATENT DOCUMENTS

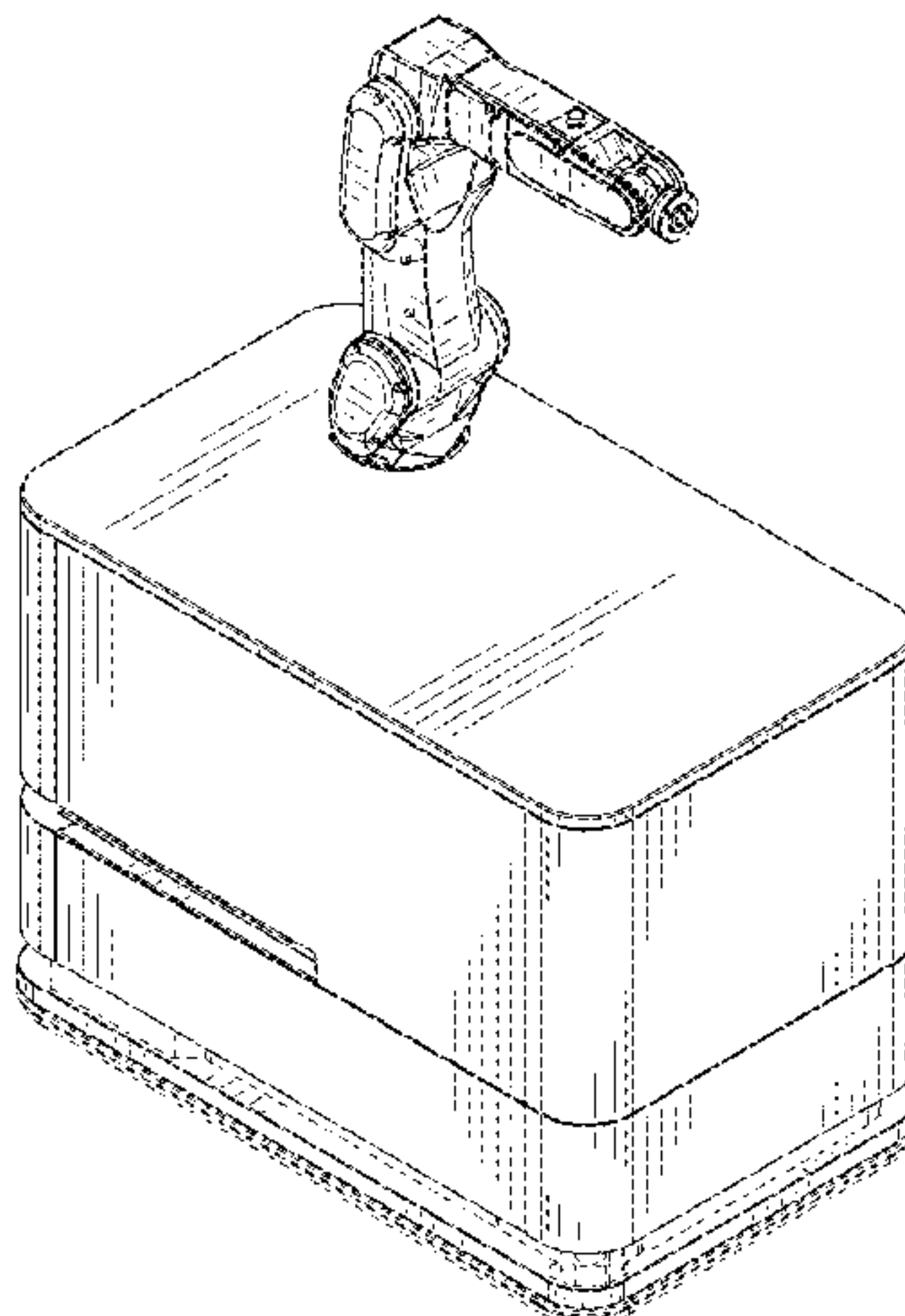
D359,296 S 6/1995 Witherspoon
D712,447 S * 9/2014 He D15/199

(Continued)

Primary Examiner — Patricia A Palasik

(74) *Attorney, Agent, or Firm* — Banner & Witcoff, Ltd.

1 Claim, 15 Drawing Sheets



(58) **Field of Classification Search**

CPC B25J 9/042; B25J 9/046; B25J 9/06; H01L
21/67766

See application file for complete search history.

(56) **References Cited**

U.S. PATENT DOCUMENTS

D749,223 S	2/2016	Vargas et al.
9,254,566 B2	2/2016	Hashimoto et al.
D843,427 S	3/2019	Medal et al.
D868,129 S	11/2019	Bogart et al.
D877,222 S	3/2020	Abe et al.
D877,223 S	3/2020	Abe et al.
D878,443 S	3/2020	Abe et al.
D883,352 S	5/2020	Abe et al.
D894,983 S	9/2020	Okada et al.
D895,709 S	9/2020	Okada et al.
D897,537 S	9/2020	Hulford et al.
D912,115 S	3/2021	Rembisz et al.
D914,780 S	3/2021	Hammers et al.
2016/0052137 A1	2/2016	Hyde et al.
2016/0107317 A1	4/2016	Hashimoto et al.
2016/0327383 A1	11/2016	Becker et al.
2016/0332303 A1	11/2016	Kirihara
2017/0065355 A1	3/2017	Ross et al.

* cited by examiner

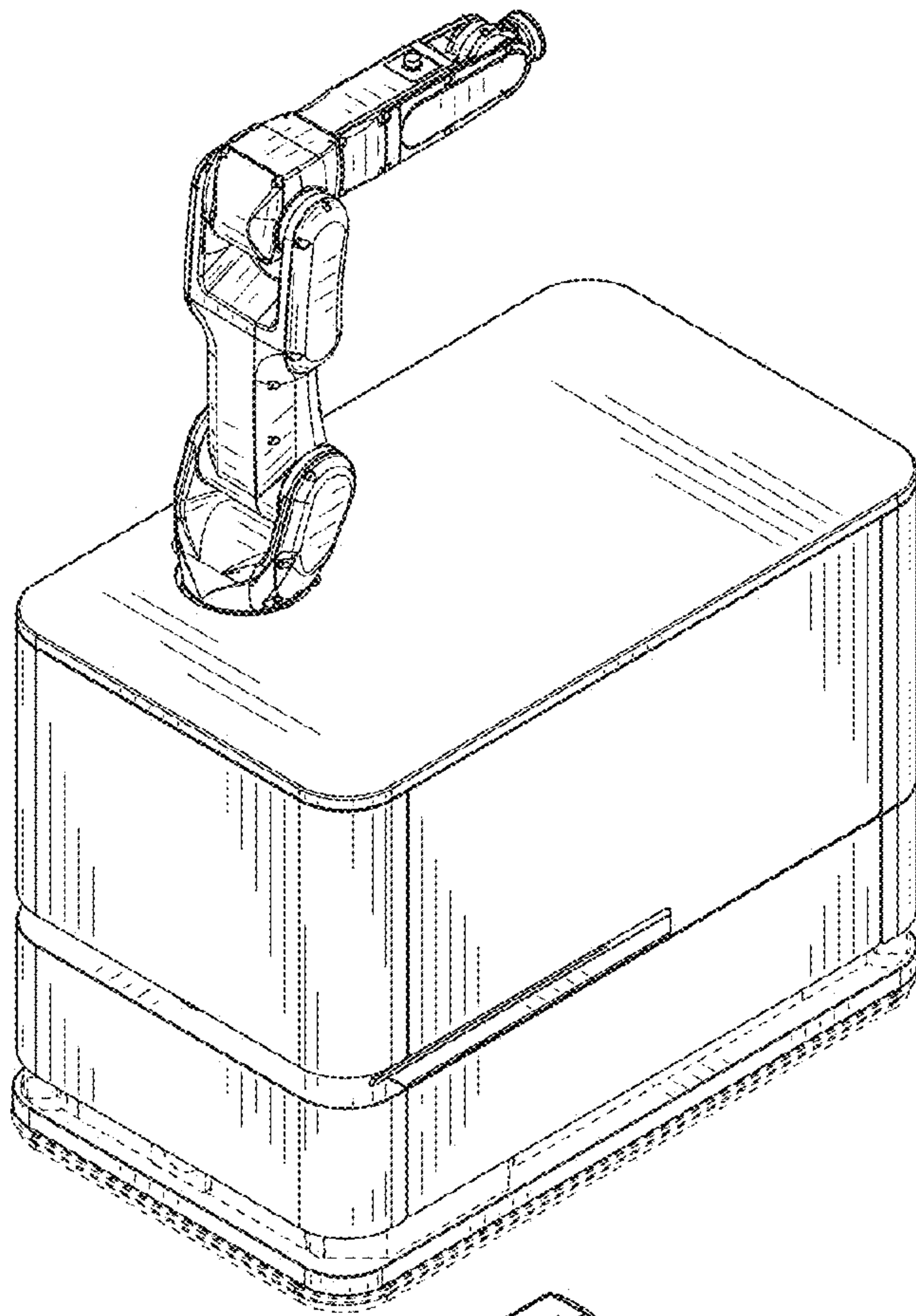


FIG. 1

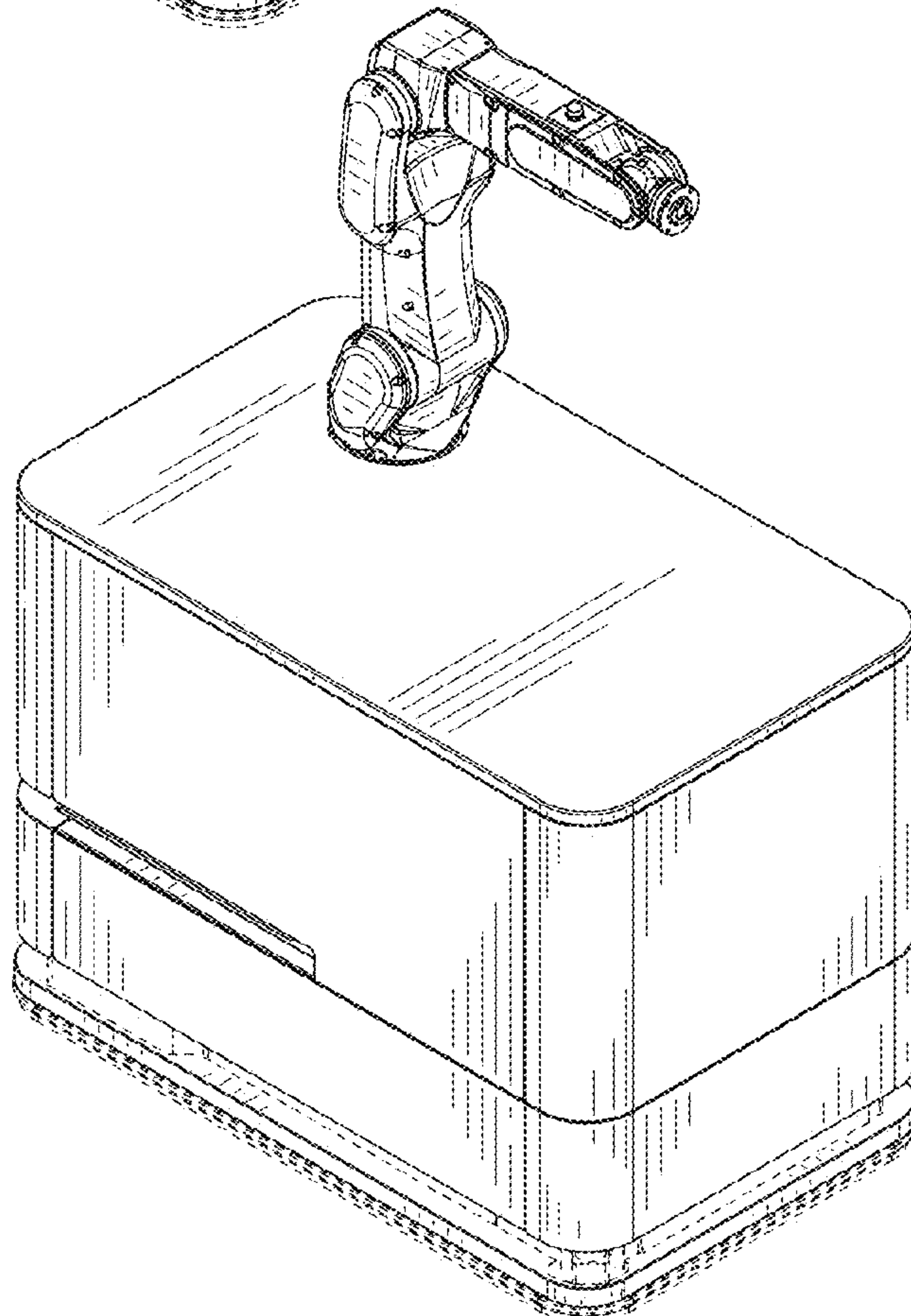


FIG. 2

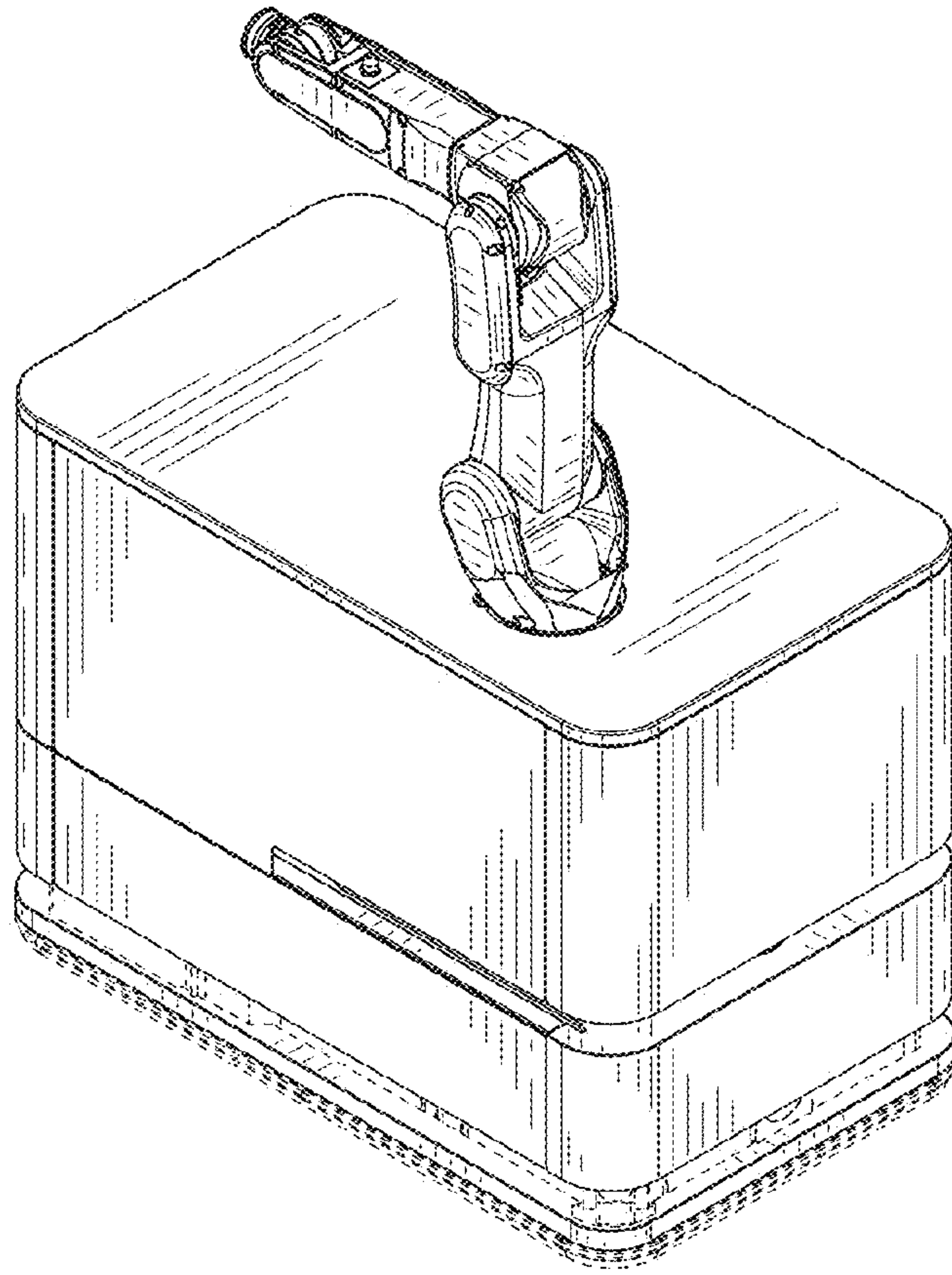


FIG. 3

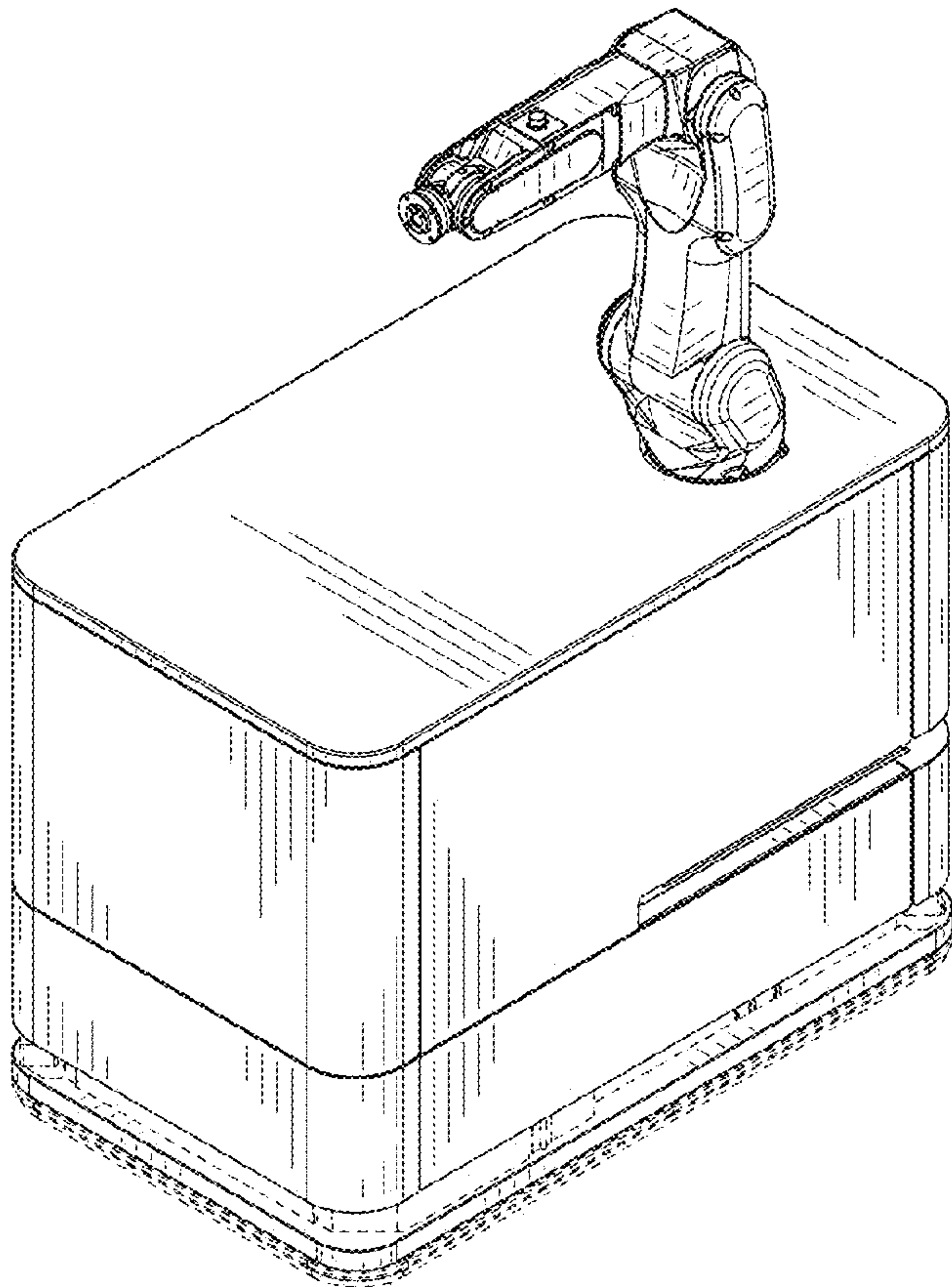


FIG. 4

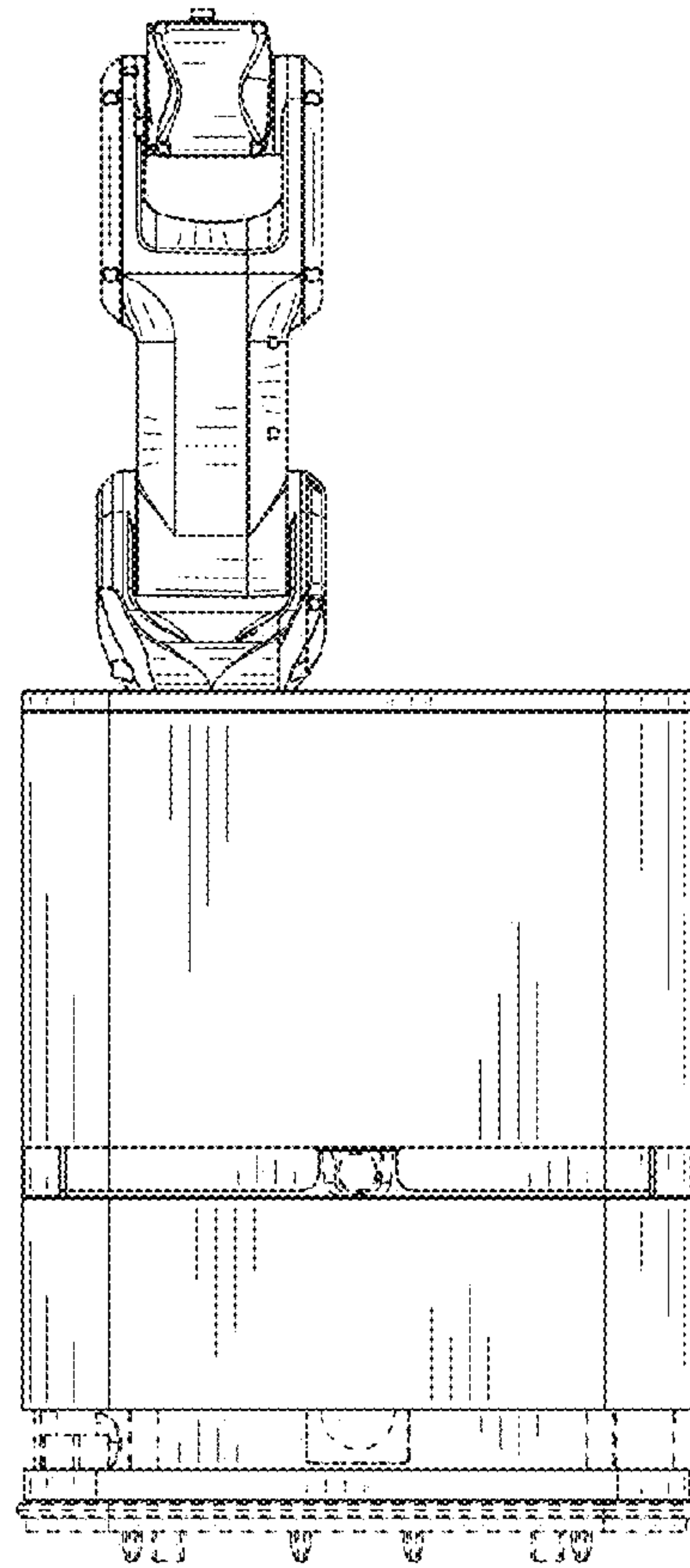


FIG. 5

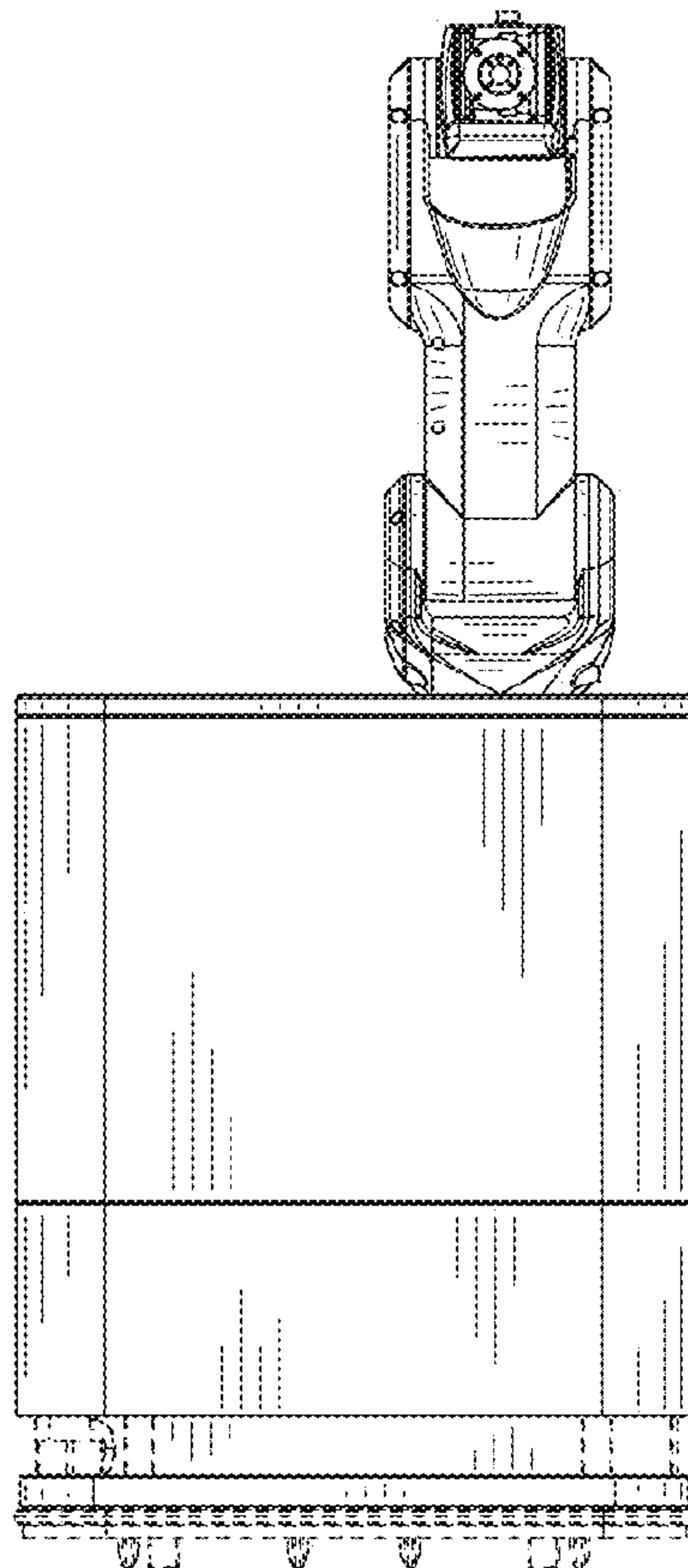


FIG. 6

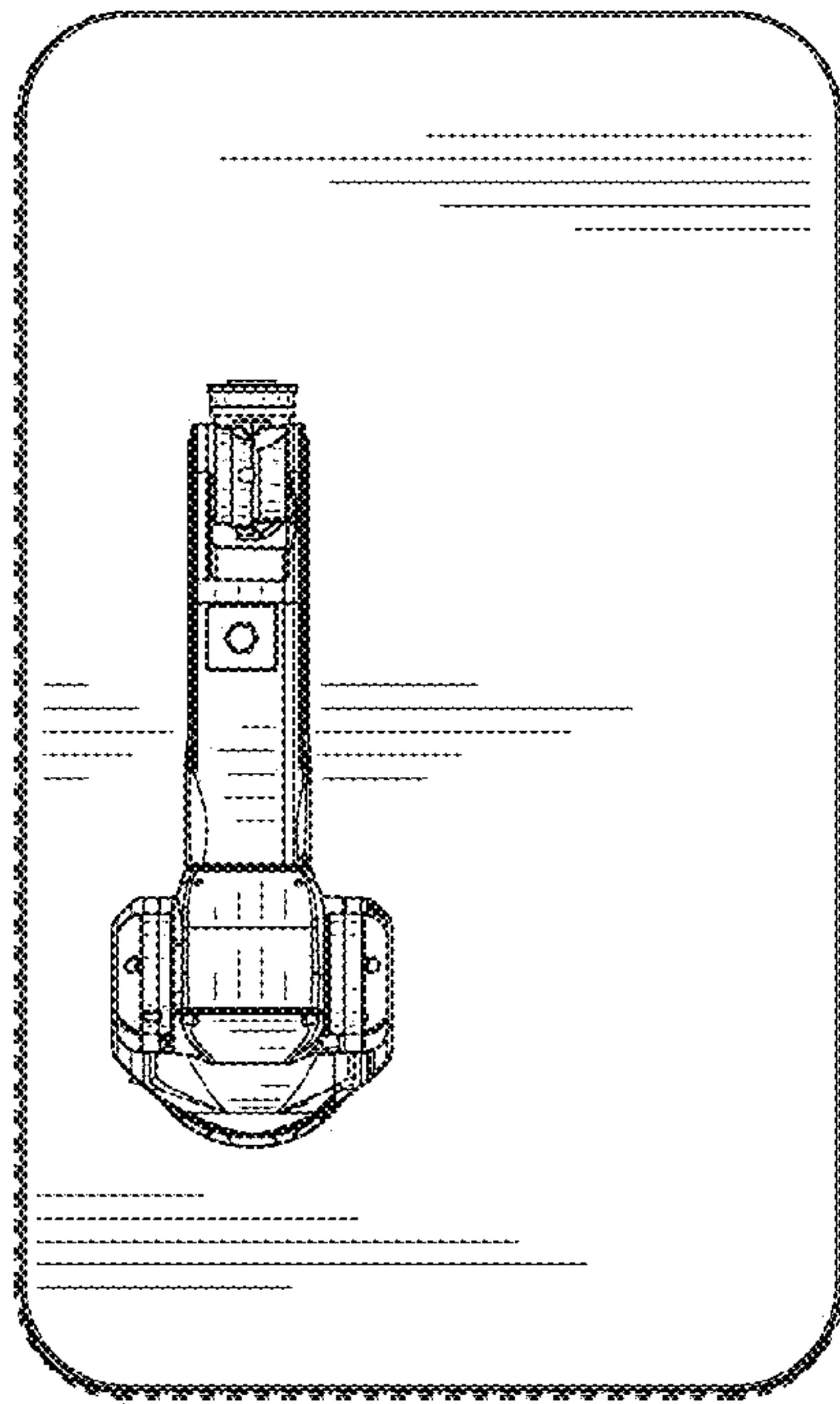


FIG. 7

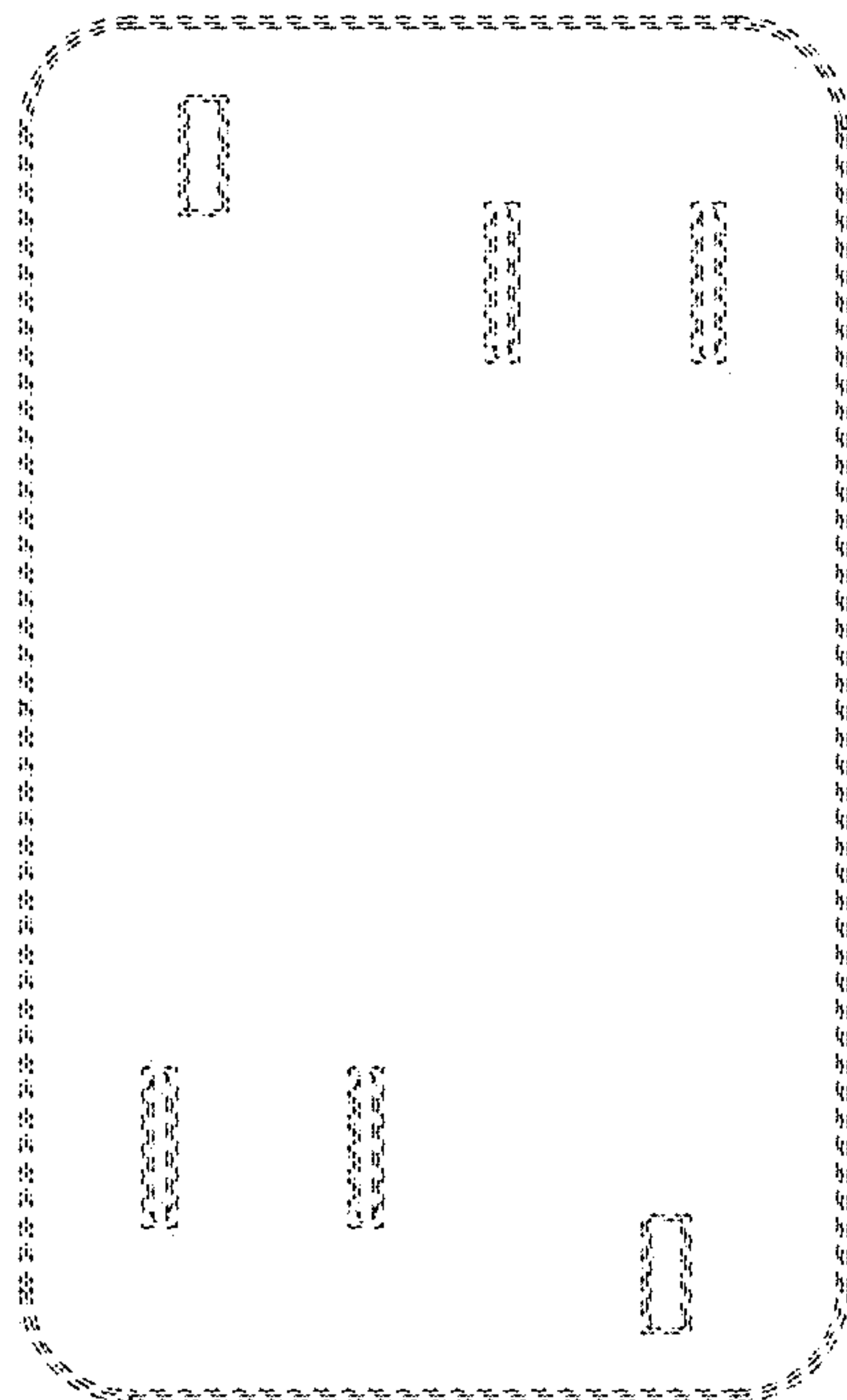


FIG. 8

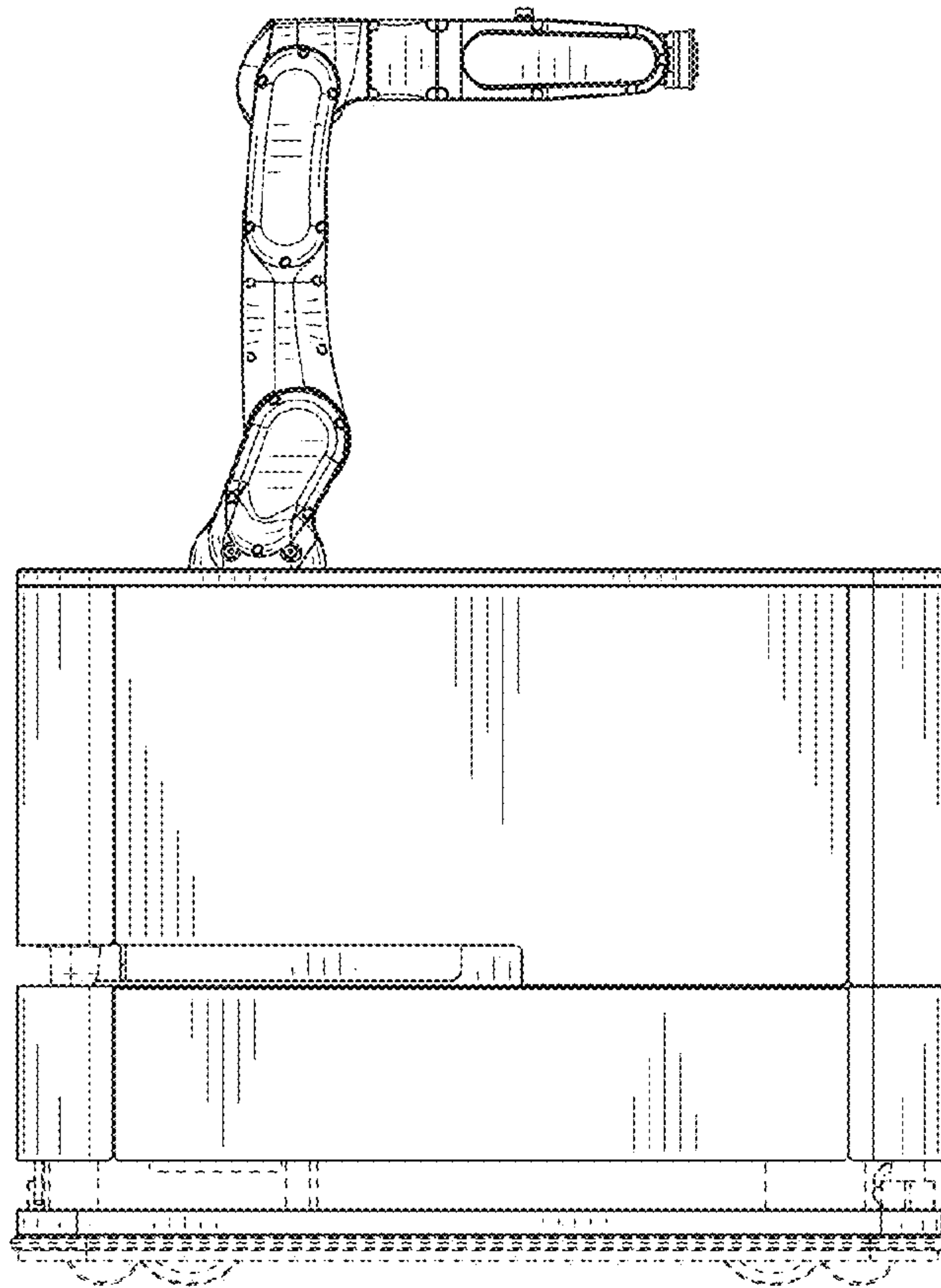


FIG. 9

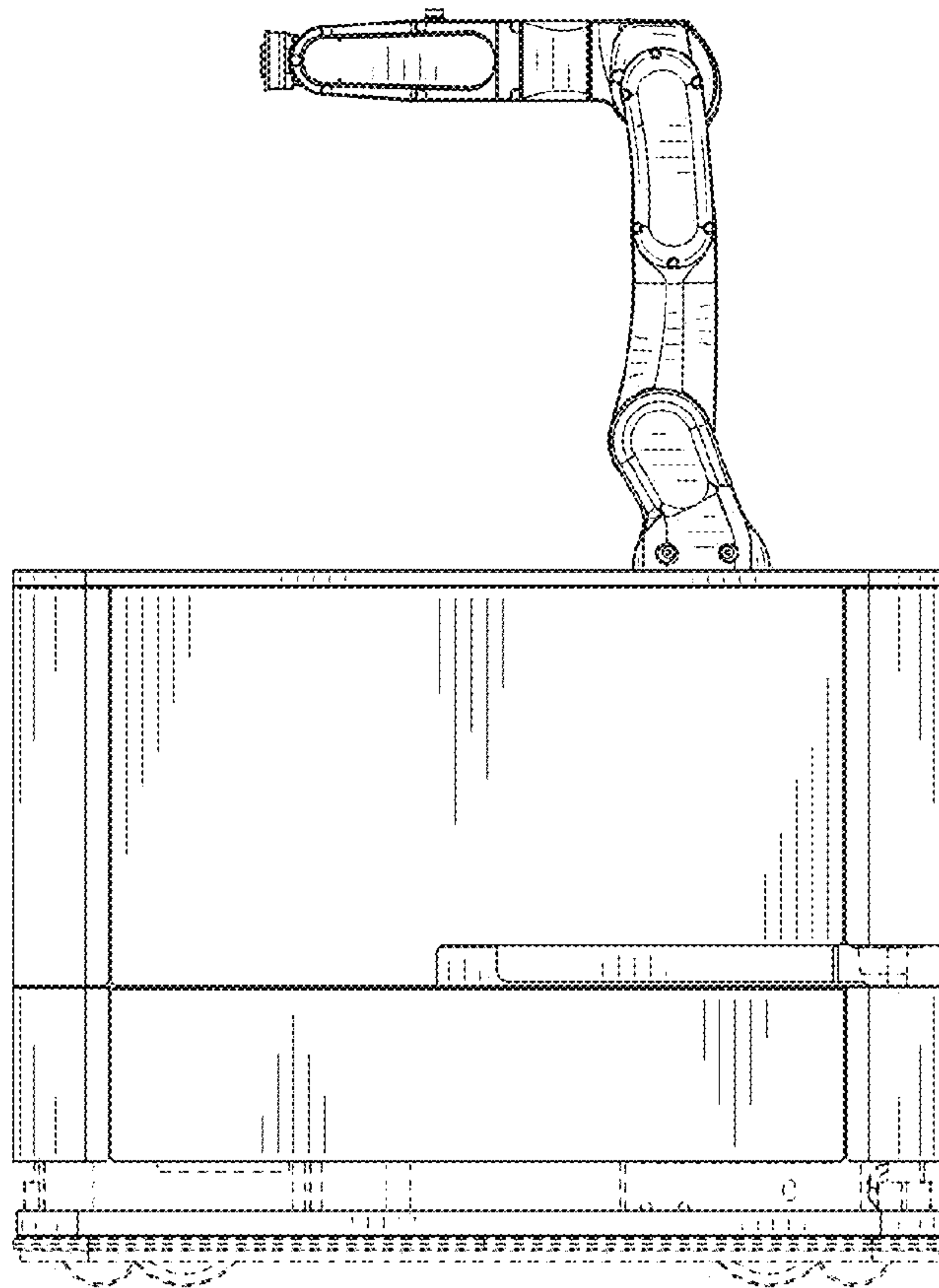


FIG. 10

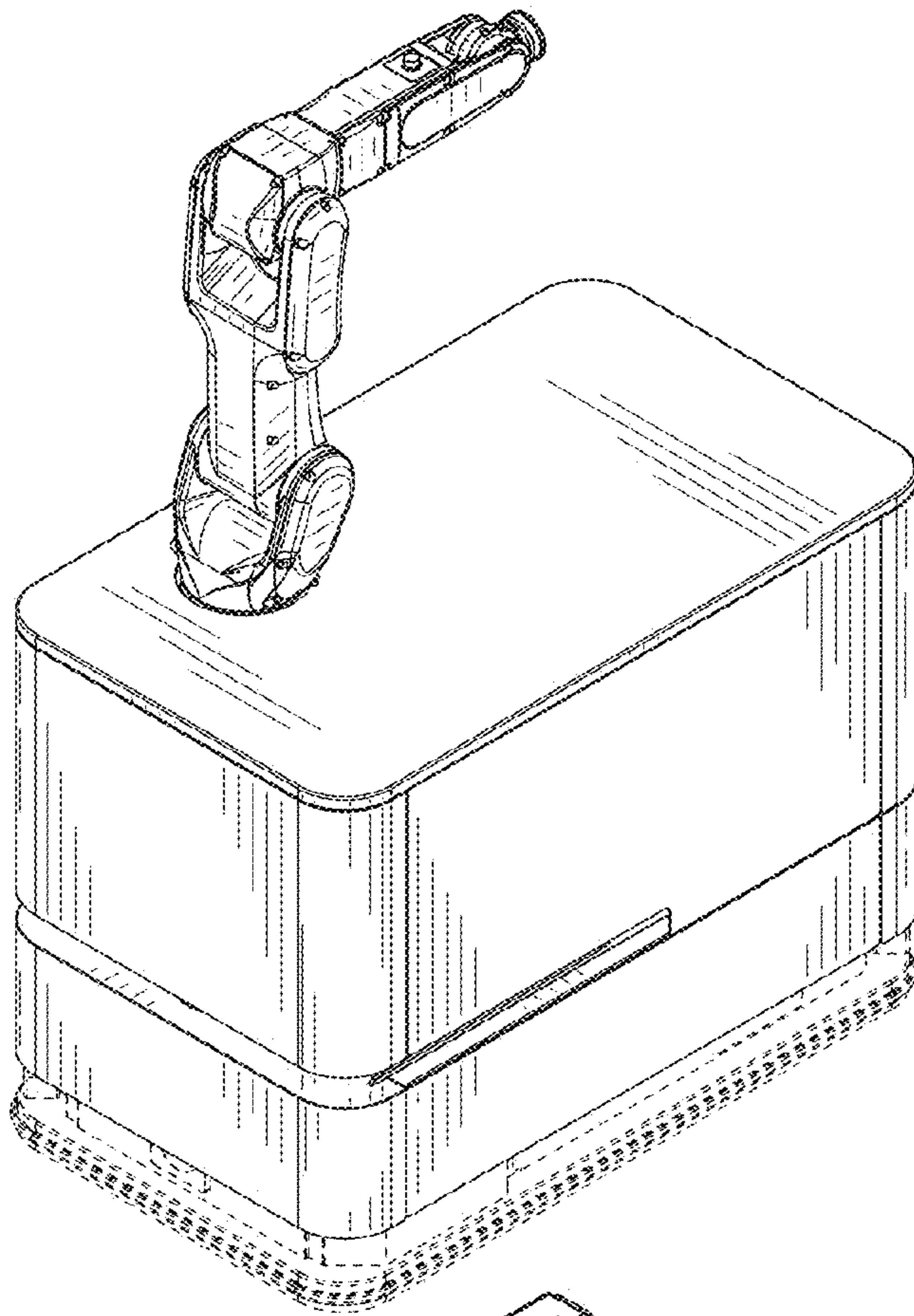


FIG. 11

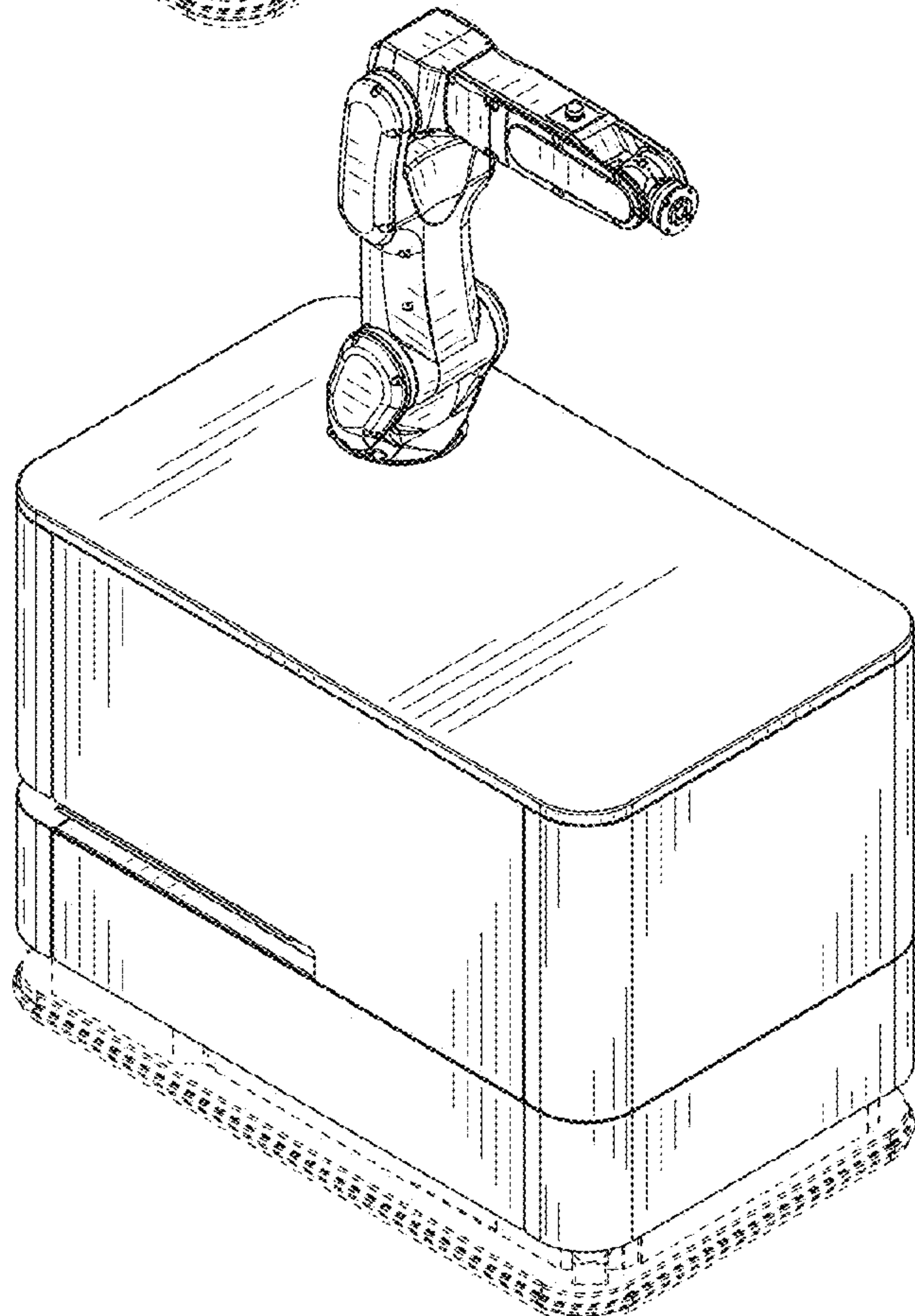


FIG. 12

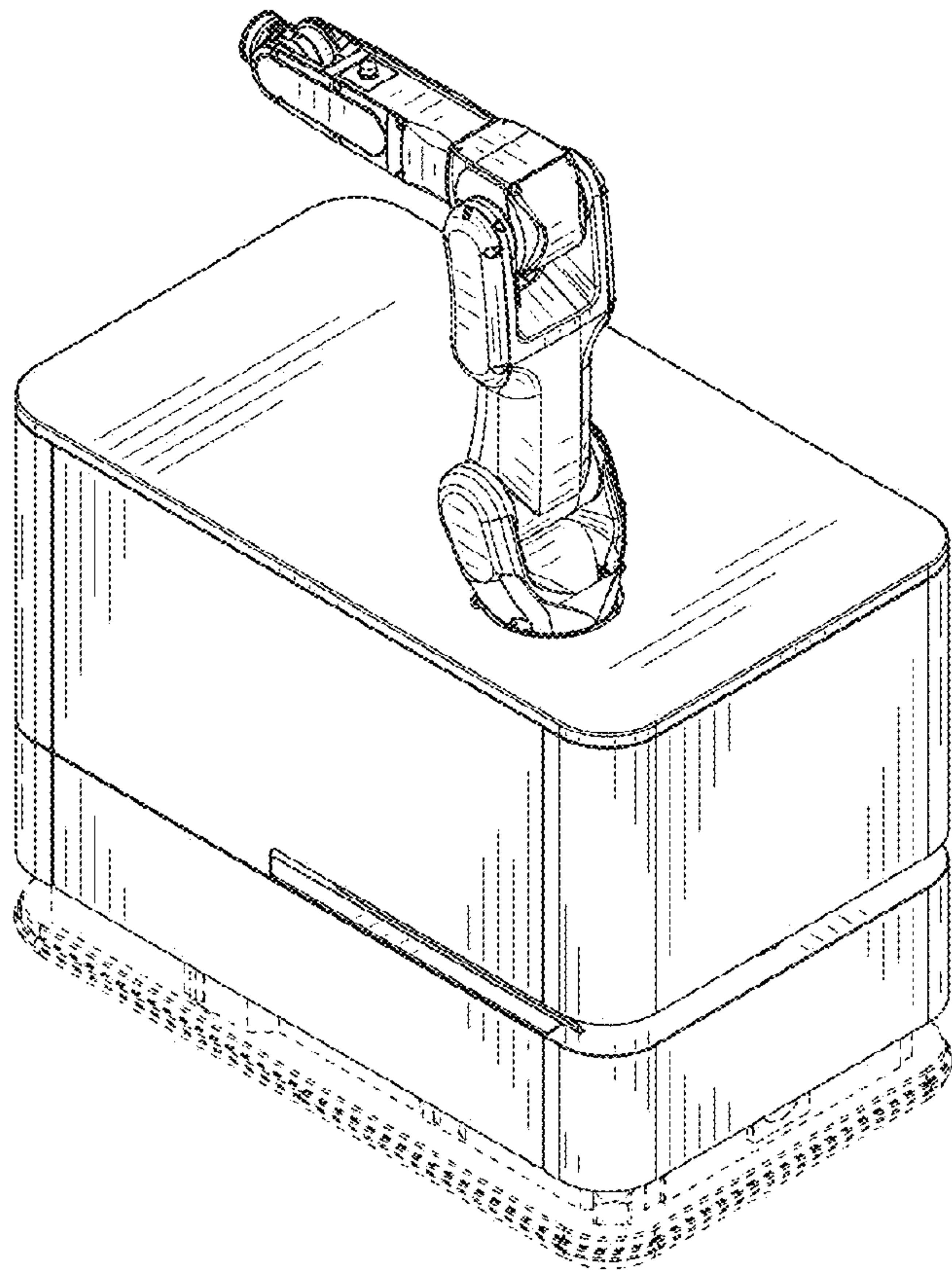


FIG. 13

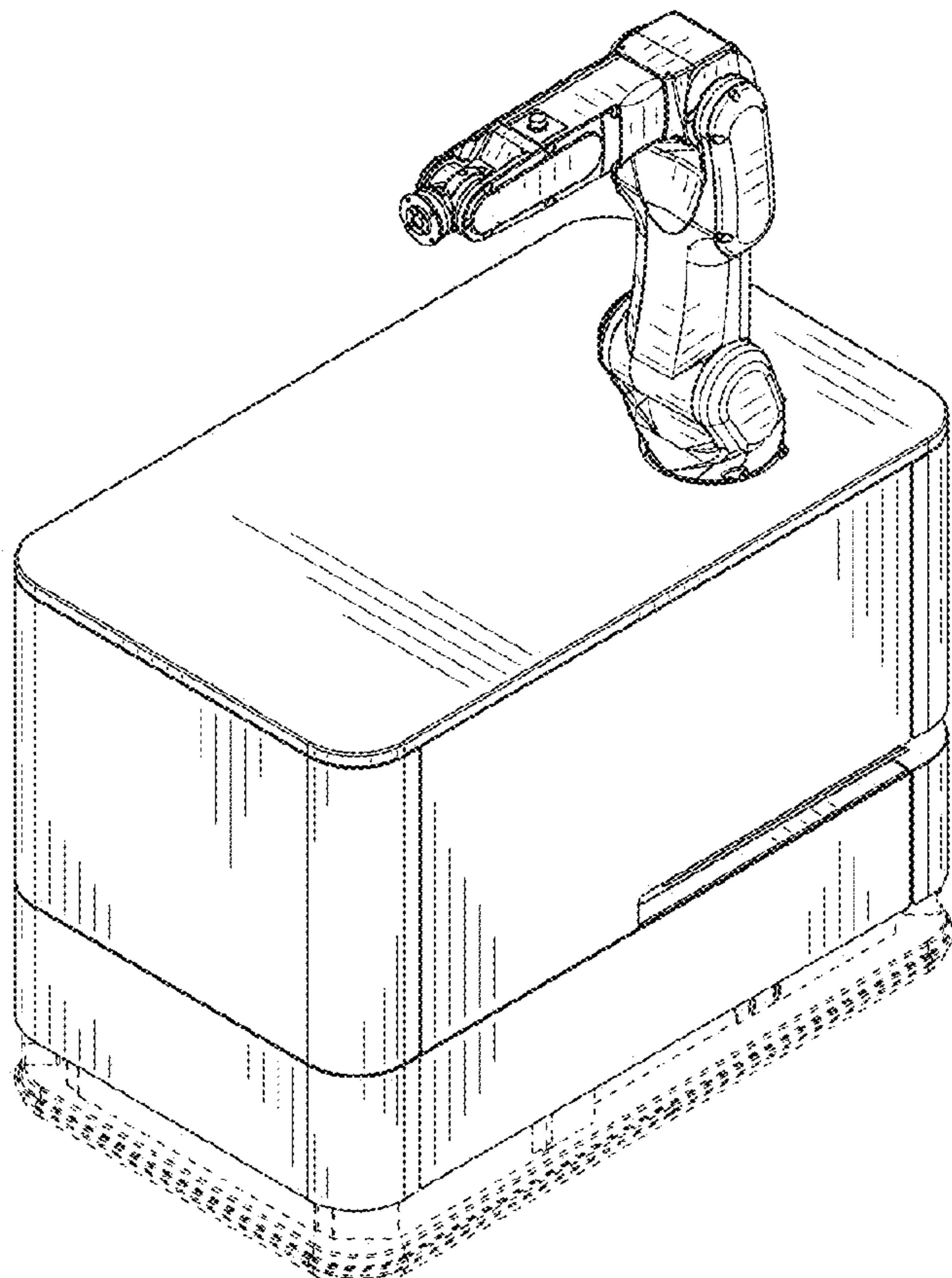


FIG. 14

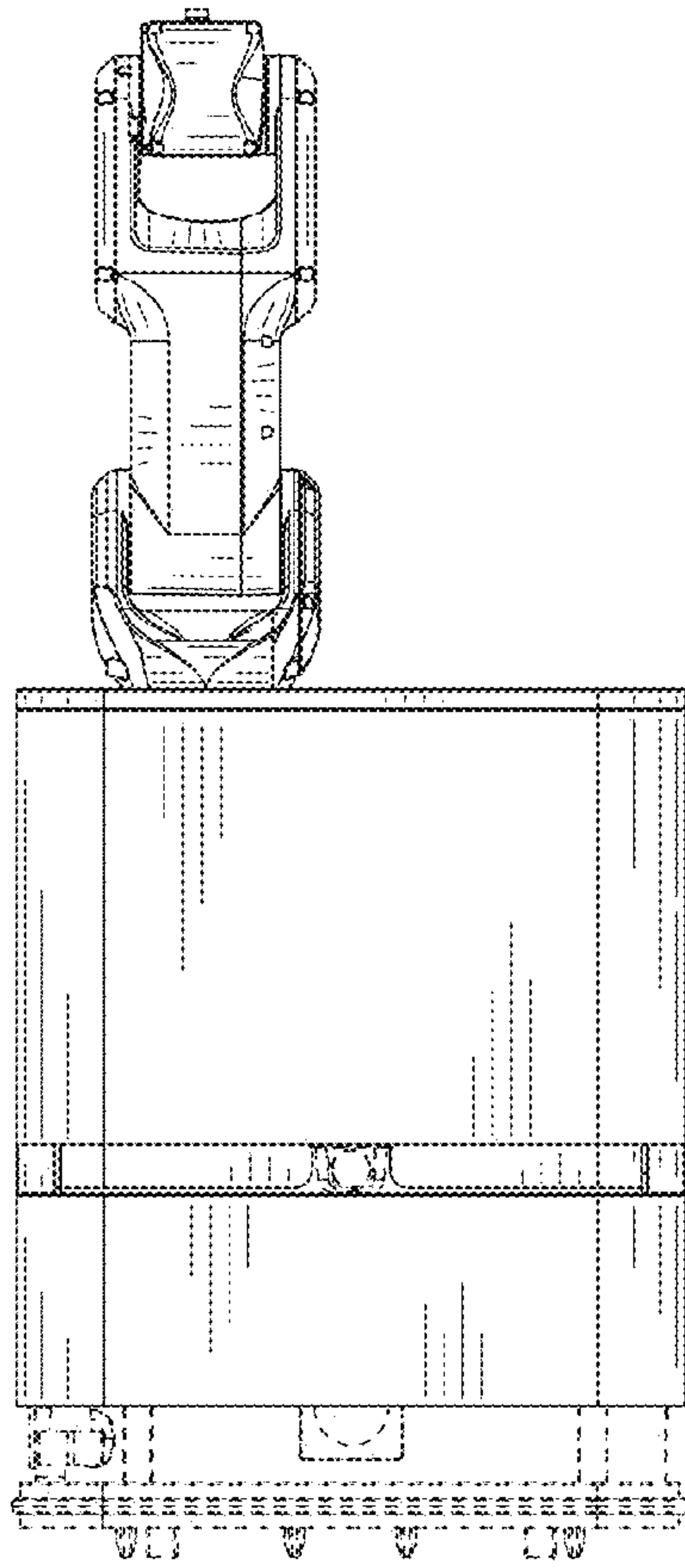


FIG. 15

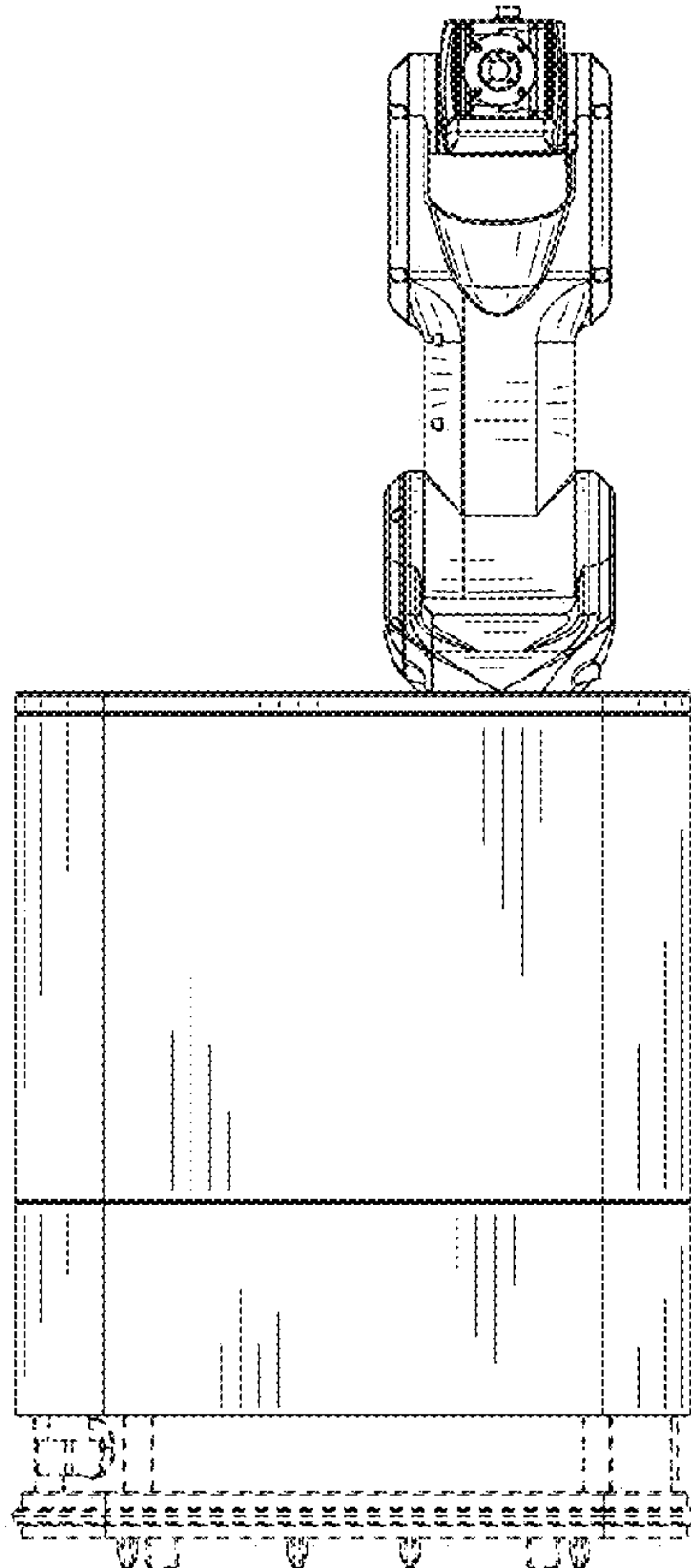


FIG. 16

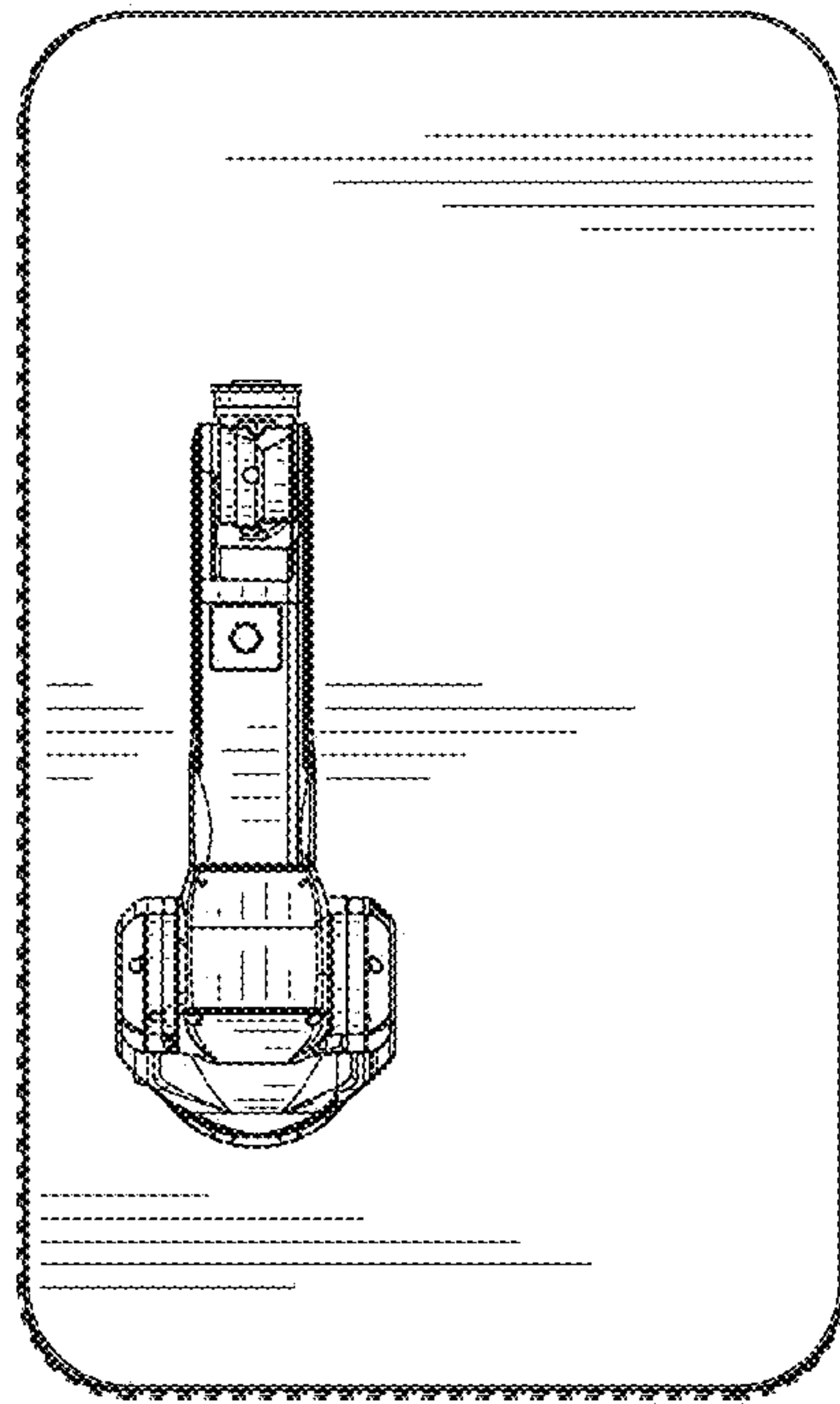


FIG. 17

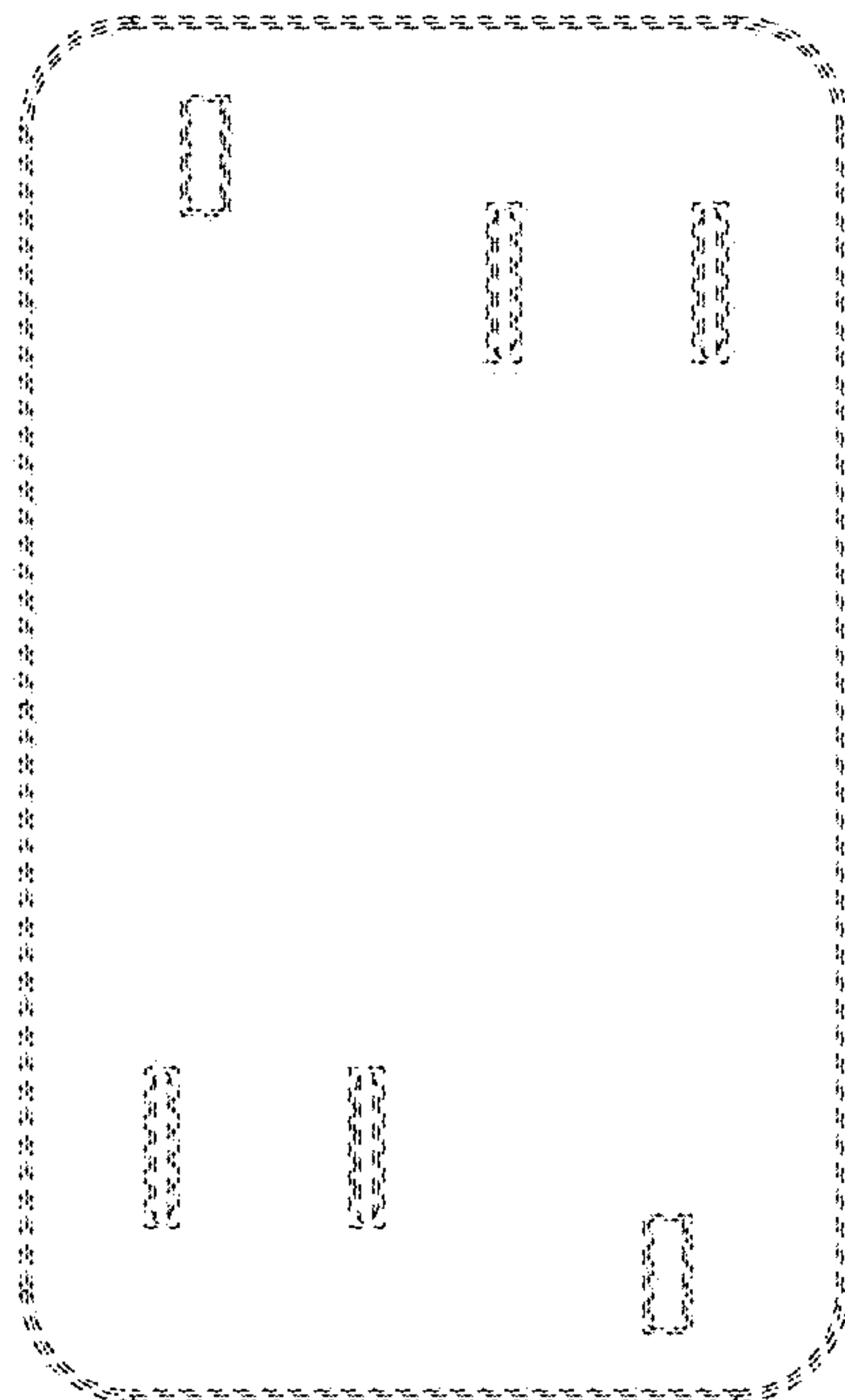


FIG. 18

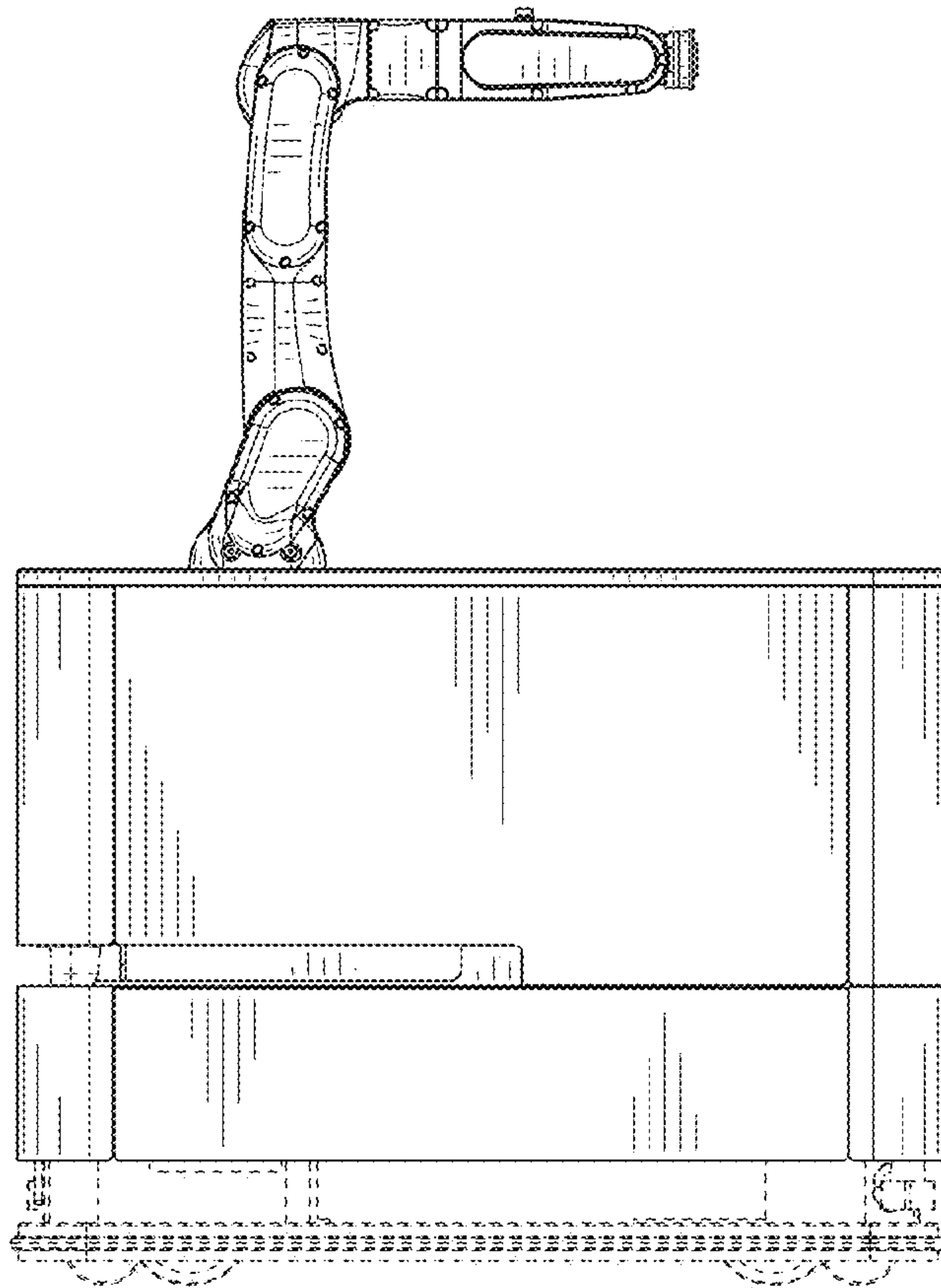


FIG. 19

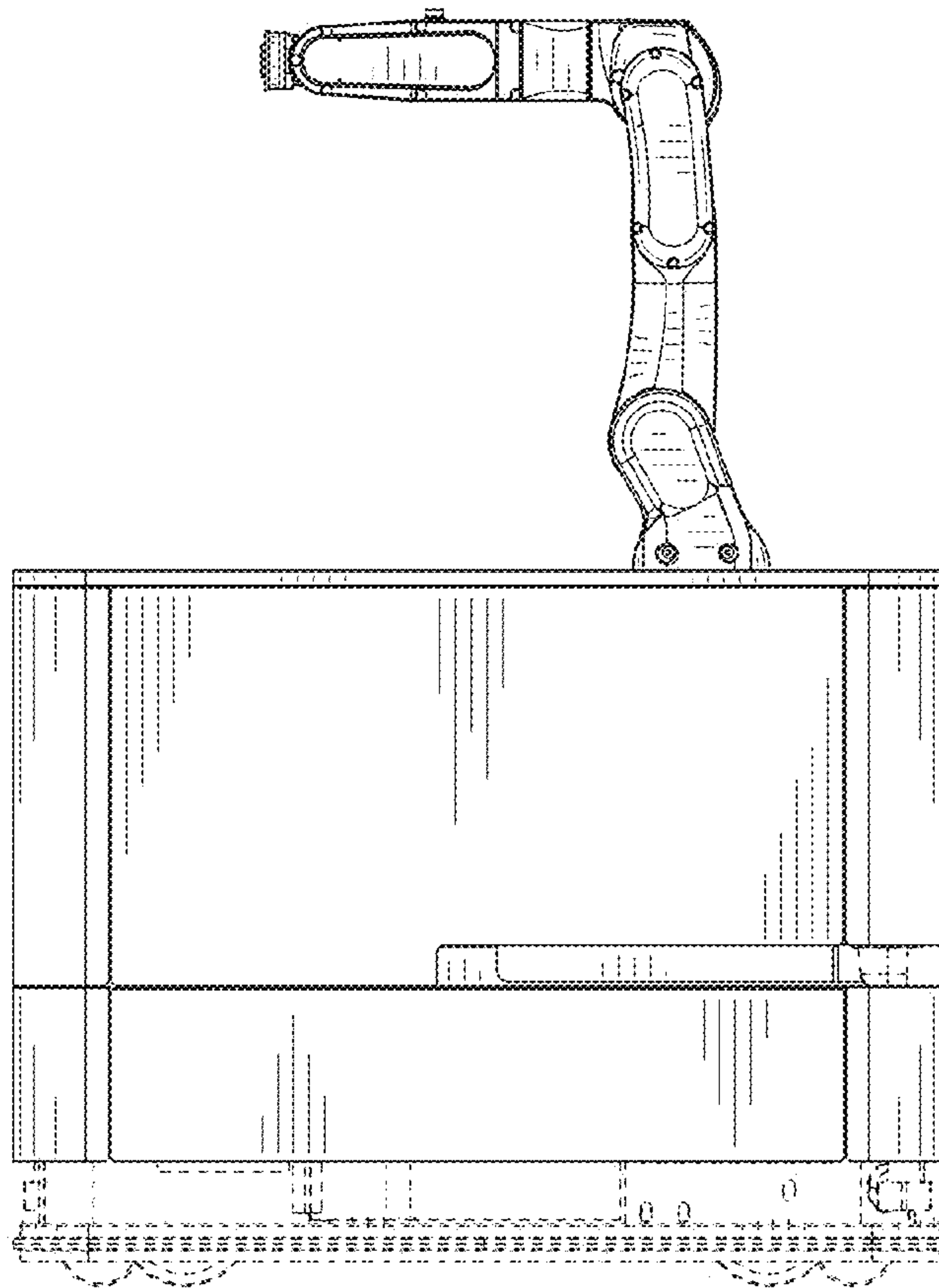


FIG. 20

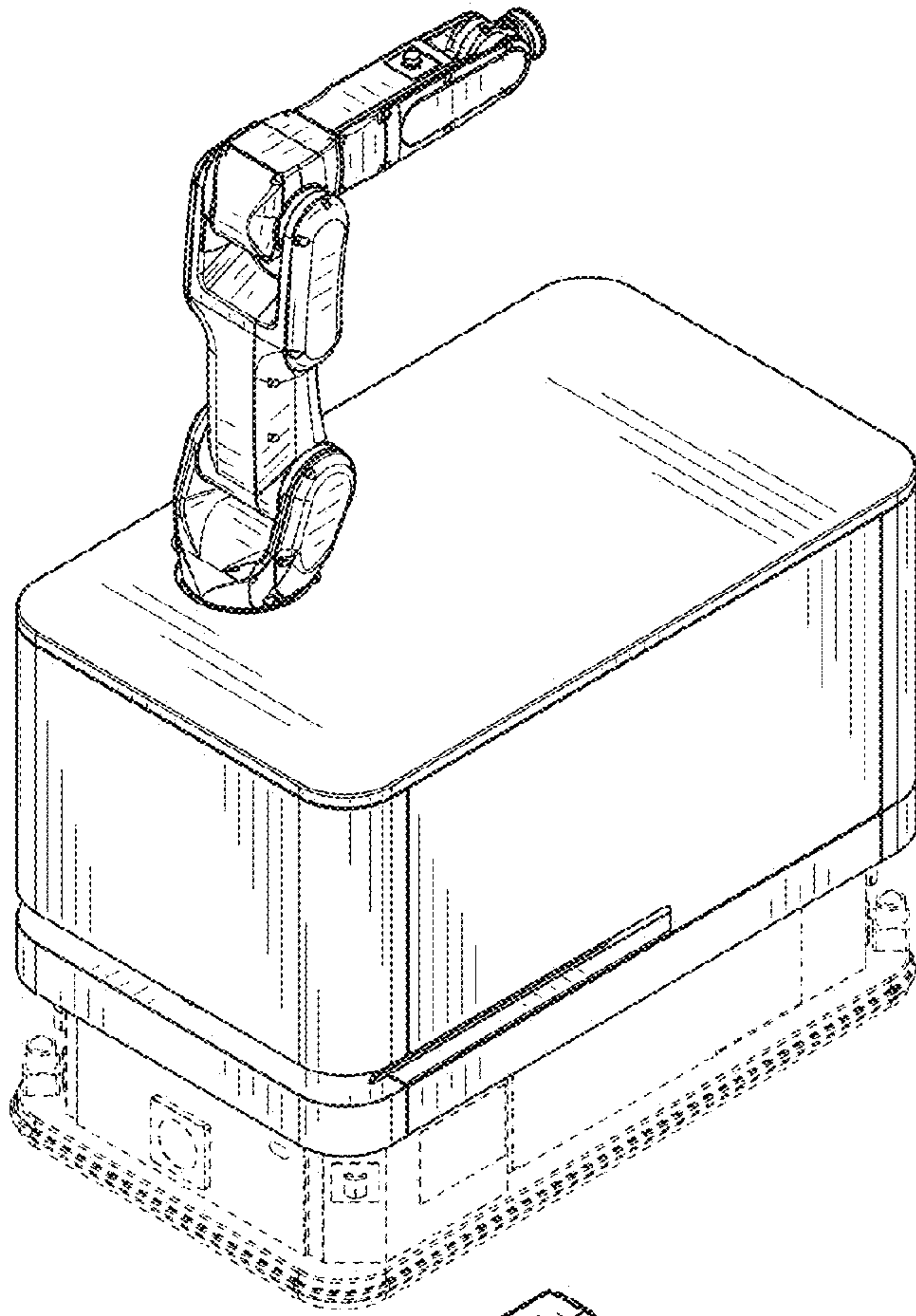


FIG. 21

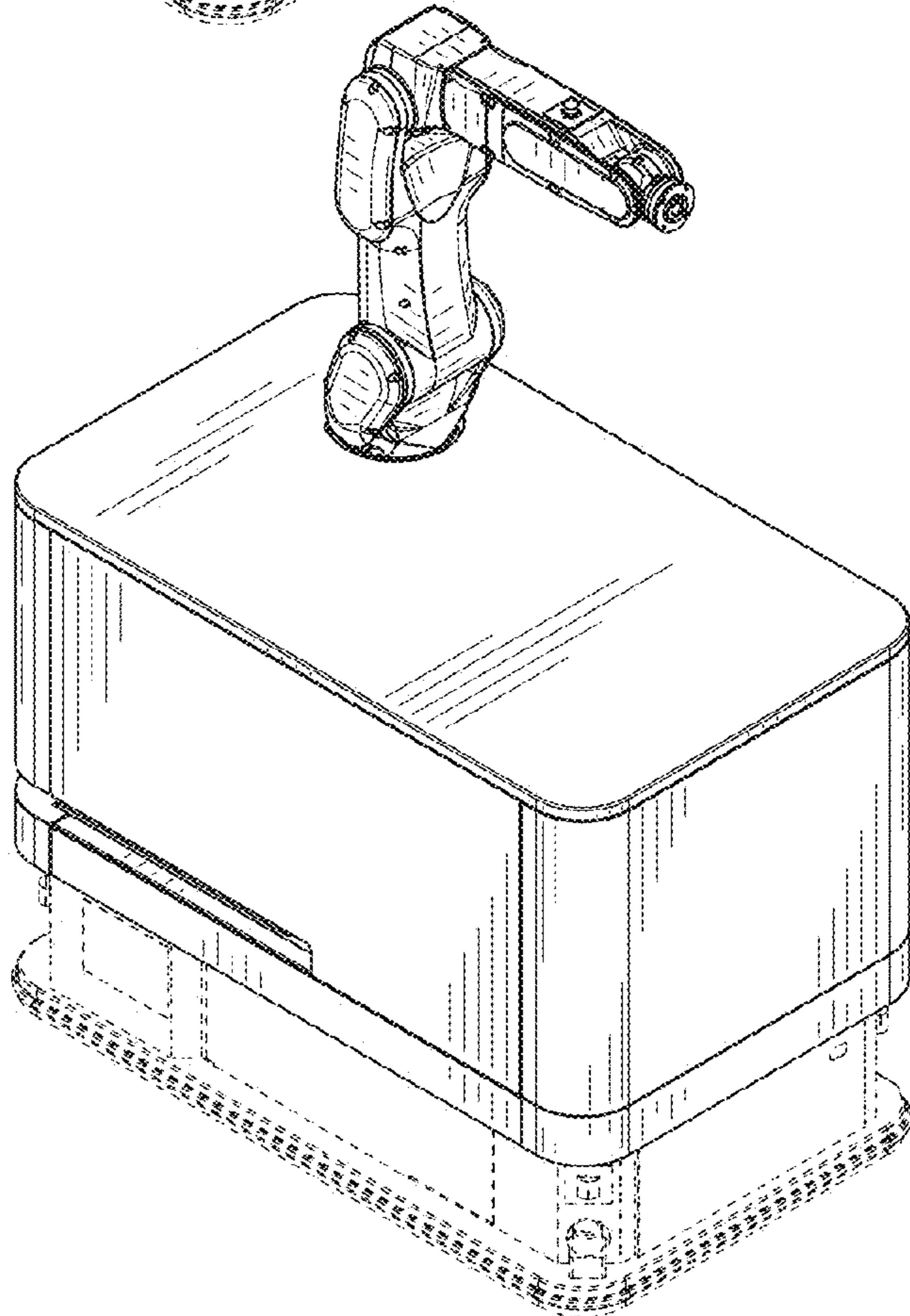


FIG. 22

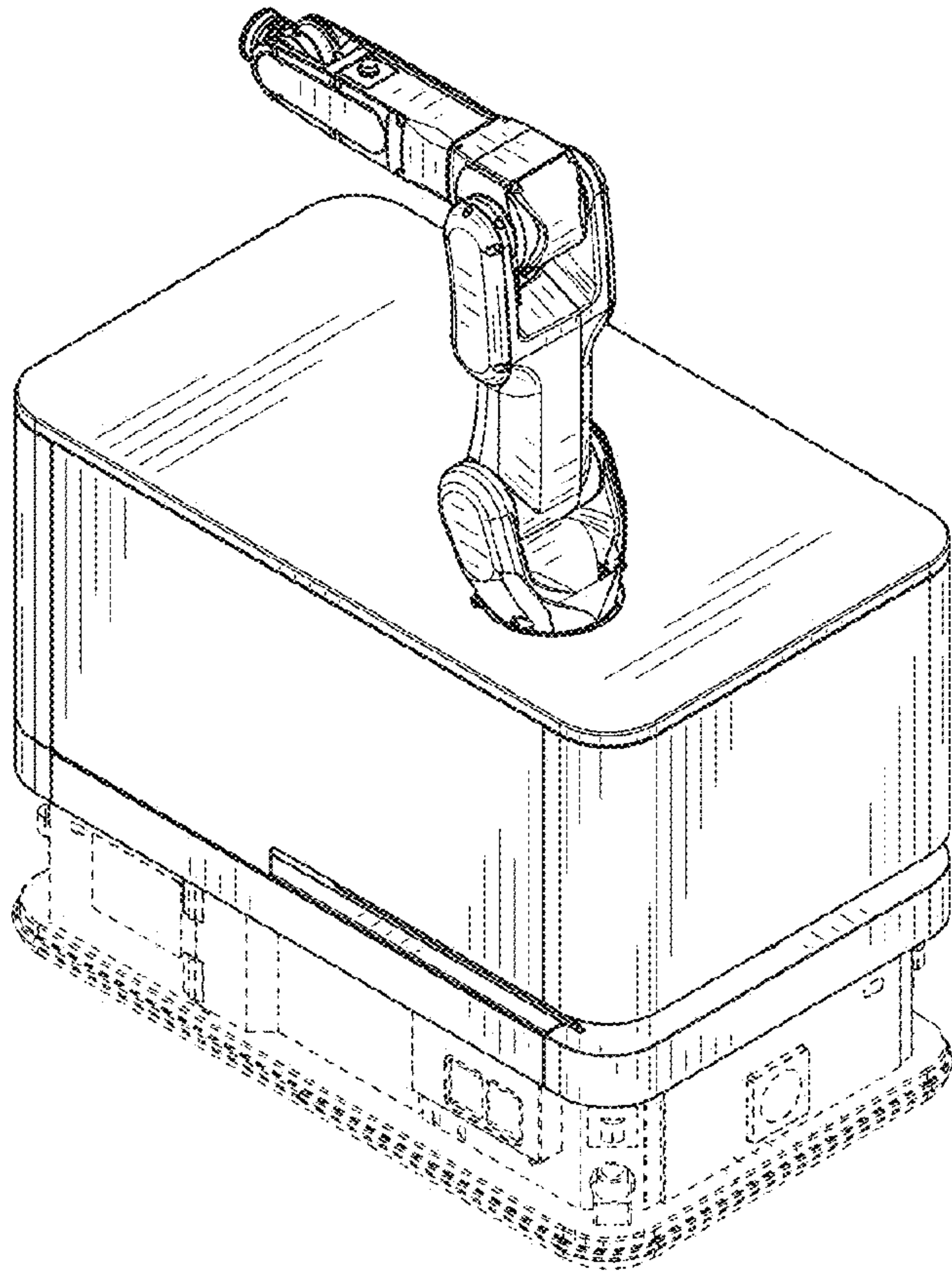


FIG. 23

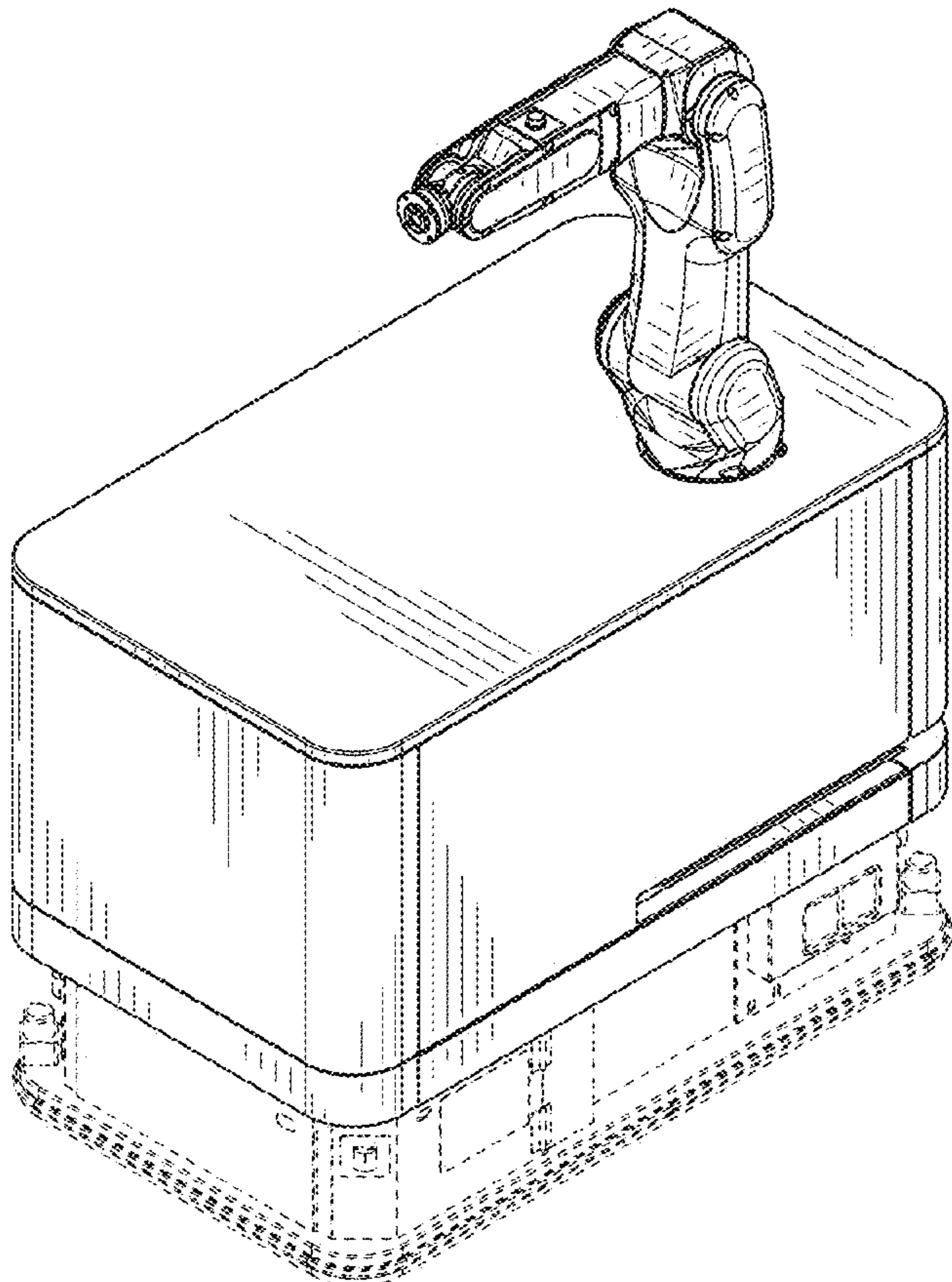


FIG. 24

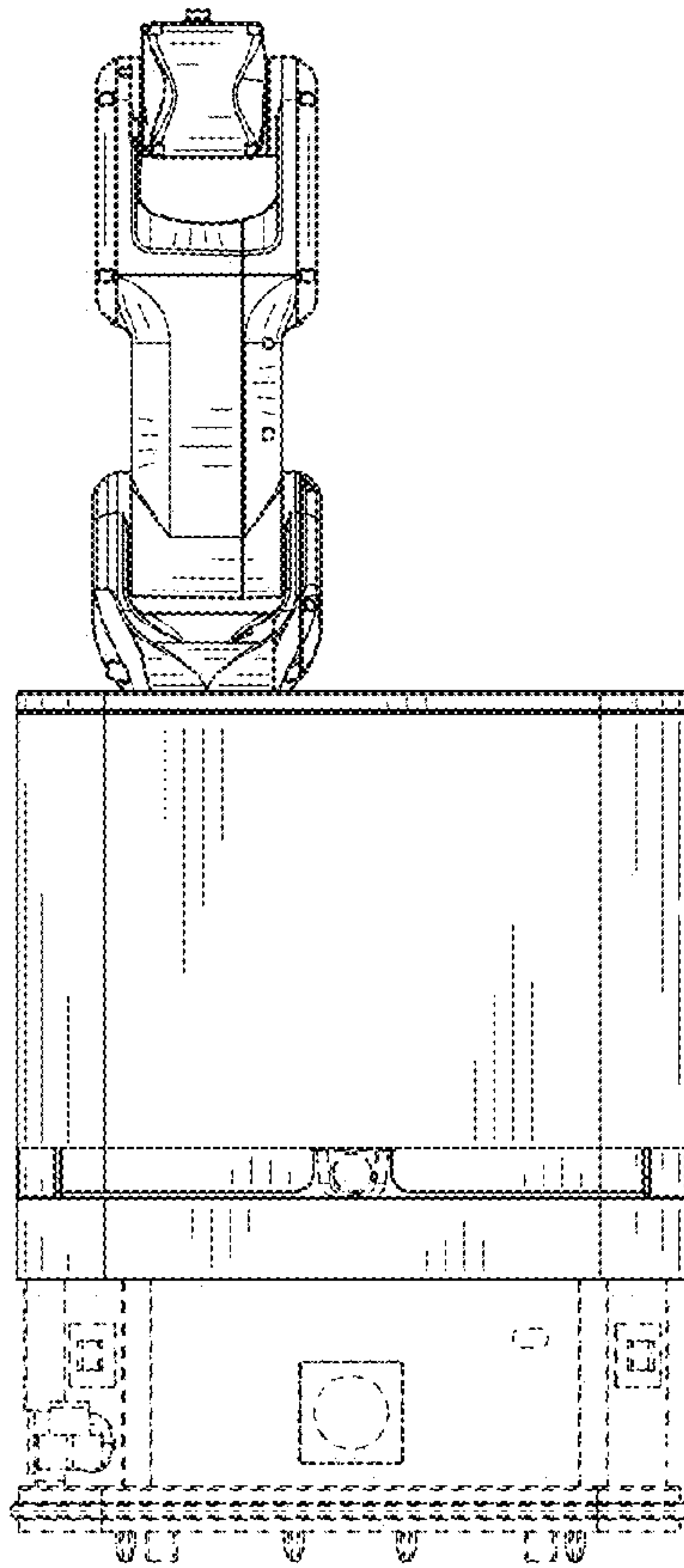


FIG. 25

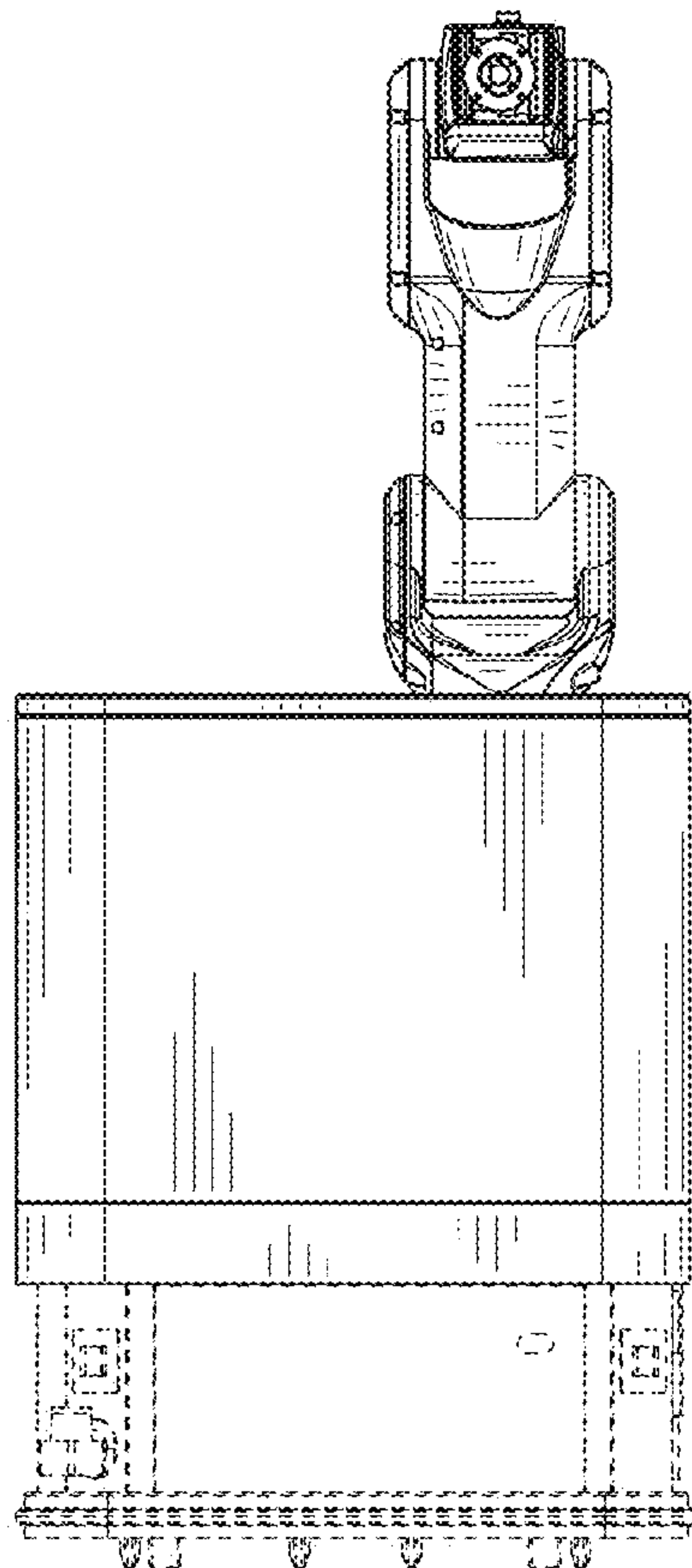


FIG. 26

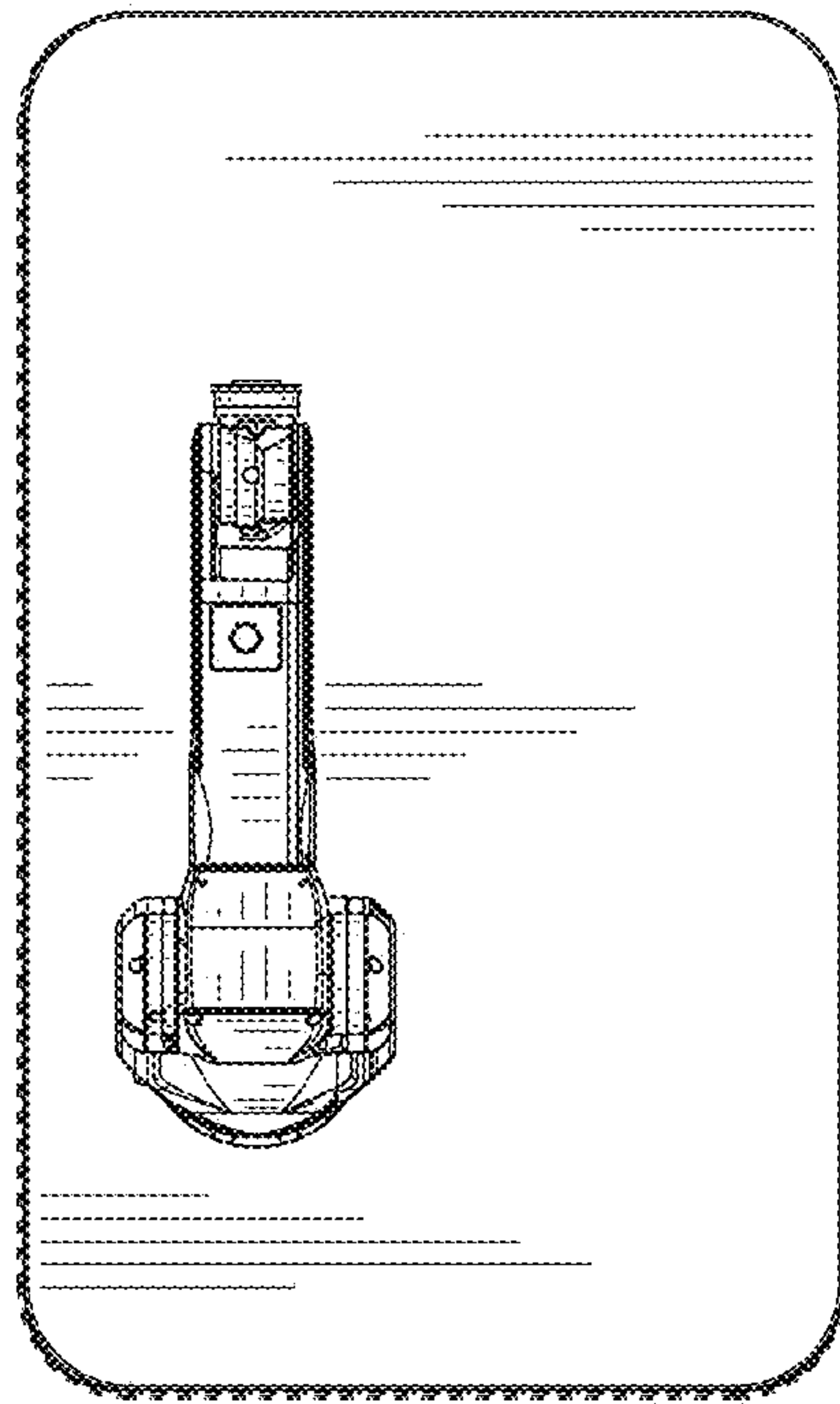


FIG. 27

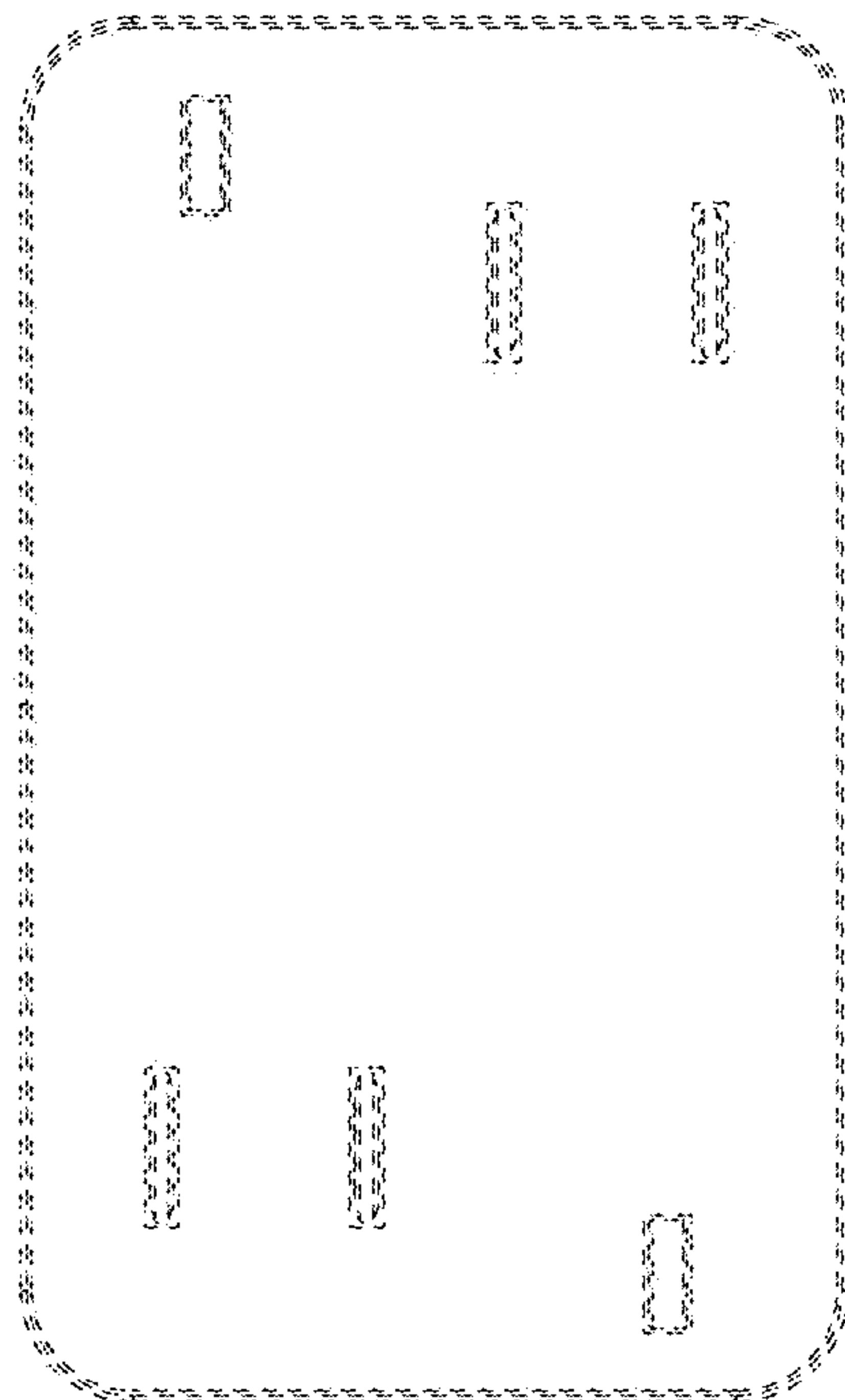


FIG. 28

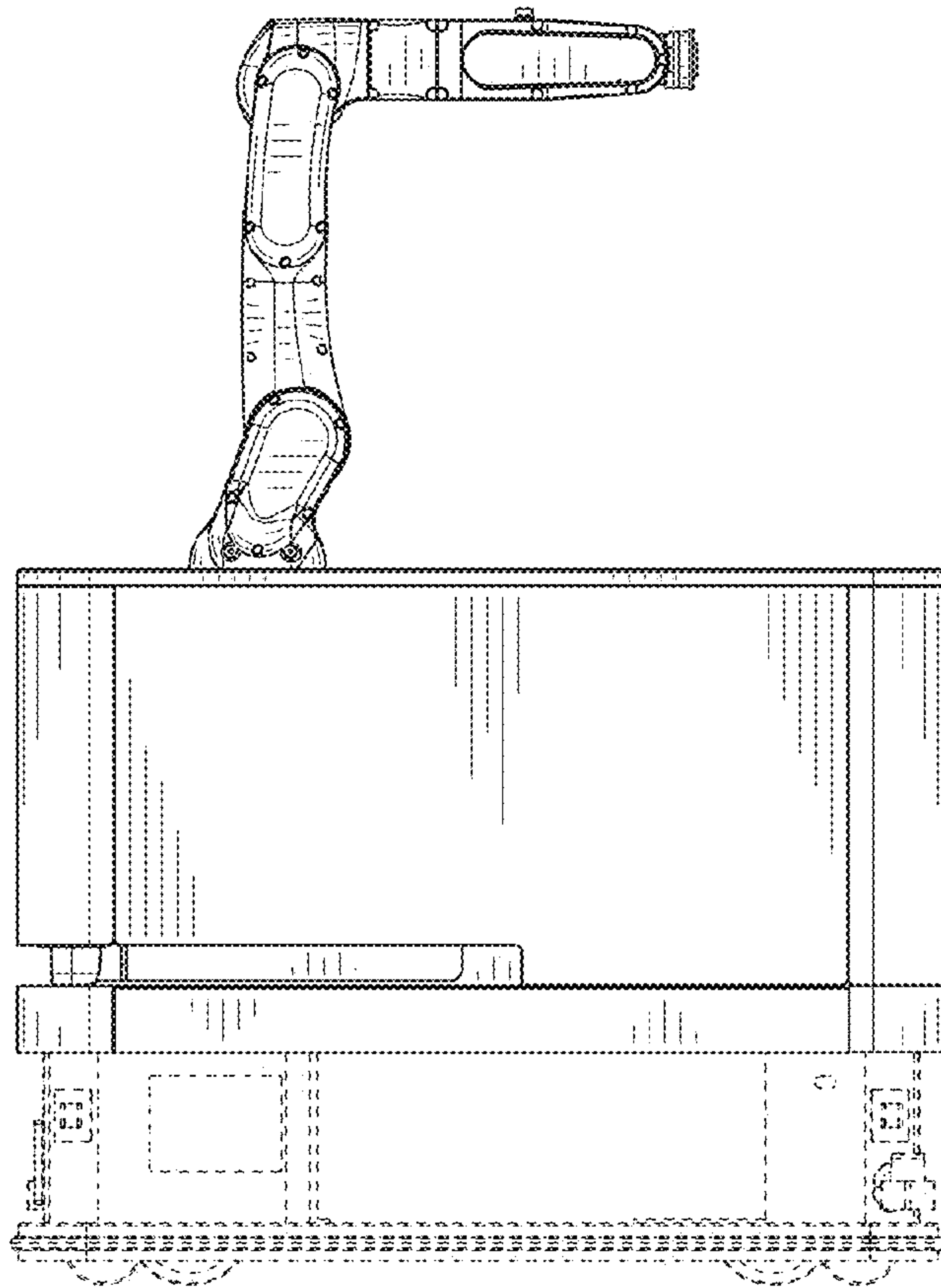


FIG. 29

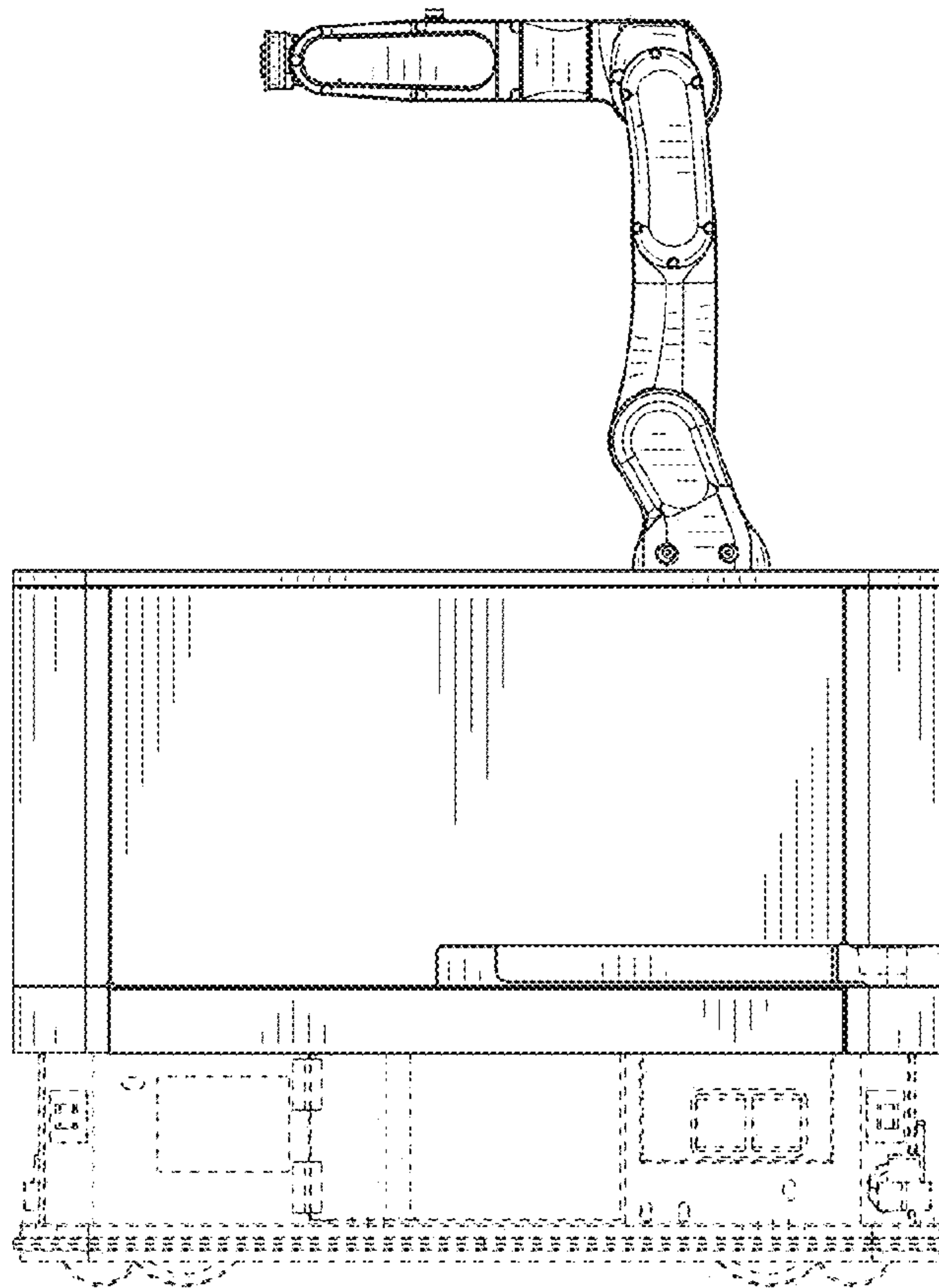


FIG. 30