

US00D936120S

(12) **United States Design Patent** (10) **Patent No.:** **US D936,120 S**
Minibaev et al. (45) **Date of Patent:** **** Nov. 16, 2021**

(54) **FOOD VACUUM DEVICE**
(71) Applicant: **FreshKeep Ltd**, Tel Aviv (IL)
(72) Inventors: **Anna Minibaev**, Tel Aviv (IL); **Jenny Pokryvailo**, Tel Aviv (IL); **Klil Horesh Farhi Dekel**, Tel Aviv (IL)
(73) Assignee: **FreshKeep Ltd**, Tel Aviv (IL)
(**) Term: **15 Years**
(21) Appl. No.: **29/711,620**
(22) Filed: **Nov. 1, 2019**
(51) **LOC (13) Cl.** **15-09**
(52) **U.S. Cl.**
USPC **D15/146**
(58) **Field of Classification Search**
USPC 7/609; D15/145, 146; D18/50
CPC B65B 31/00; B65B 31/046; B65B 31/047;
B65D 81/2038; B65D 85/50
See application file for complete search history.

D501,859 S * 2/2005 Presta D15/146
D510,369 S * 10/2005 Presta D15/146
D515,601 S * 2/2006 Sholzberg D15/146
7,003,928 B2 * 2/2006 Patterson B65B 31/06
53/405
7,076,929 B2 * 7/2006 Patterson B65B 51/146
53/405
7,124,557 B2 * 10/2006 Small B65B 31/046
53/510
D536,355 S * 2/2007 Levsen D15/146
7,204,067 B2 * 4/2007 Baptista B65B 31/046
53/405
7,392,641 B2 * 7/2008 Abate B65B 31/046
53/374.9

(Continued)

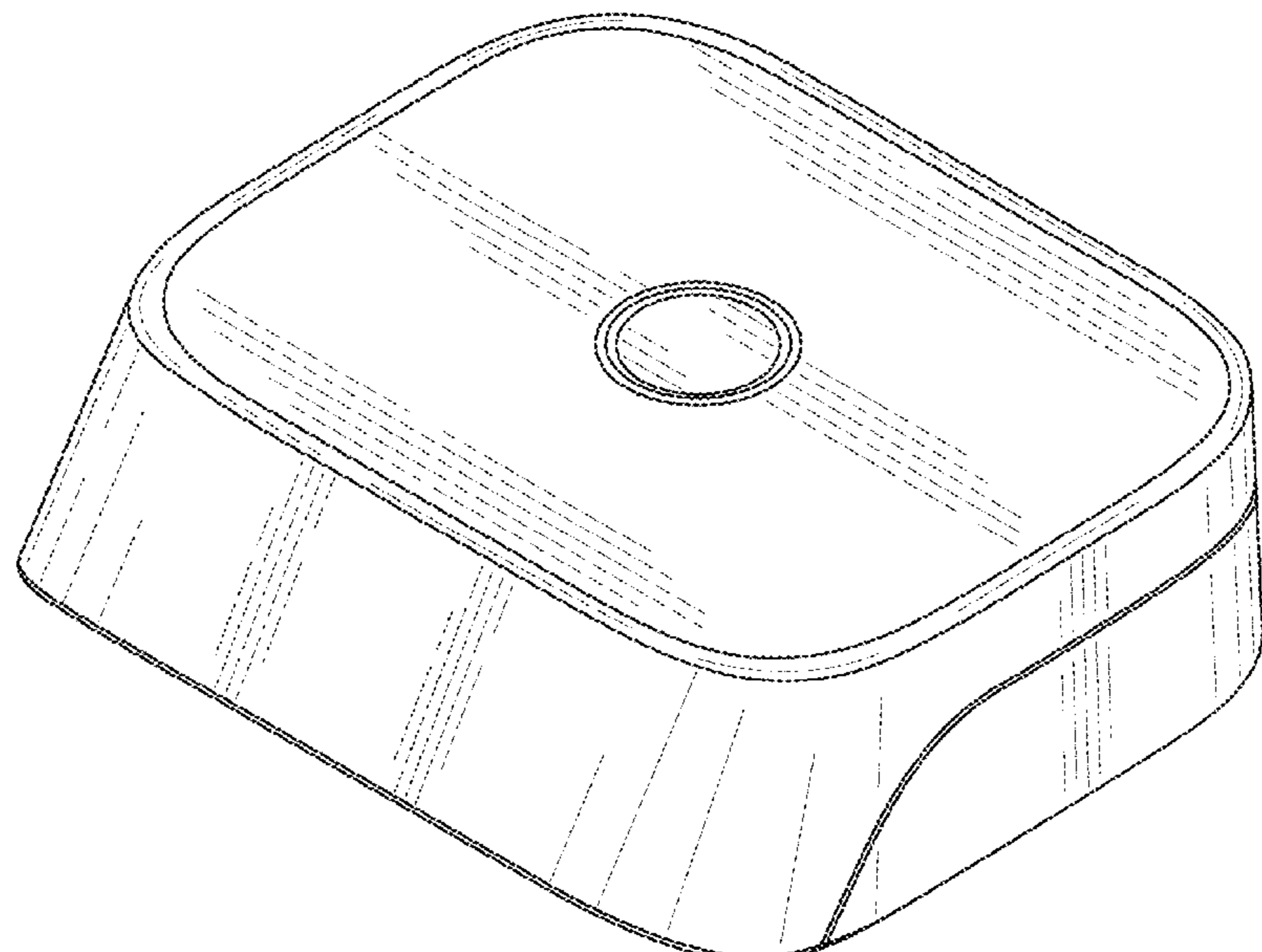
Primary Examiner — Patricia A Palasik
(74) *Attorney, Agent, or Firm* — Paul D. Bianco; Fleit Intellectual Property Law

(57) **CLAIM**
The ornamental design for a food vacuum device, as shown and described.

(56) **References Cited**
U.S. PATENT DOCUMENTS
D215,568 S * 10/1969 Hooton D15/146
D249,526 S * 9/1978 Kishida D15/146
D301,238 S * 5/1989 Makihara D15/146
4,941,310 A * 7/1990 Kristen B65B 31/046
53/512
5,048,269 A * 9/1991 Deni B29C 66/81427
53/512
5,352,323 A * 10/1994 Chi B65B 51/148
156/583.9
D354,966 S * 1/1995 Lim D15/145
5,893,822 A * 4/1999 Deni B65B 31/046
53/512
D414,084 S * 9/1999 Schmidt D7/609
6,694,710 B2 * 2/2004 Wang B65B 31/06
53/427

DESCRIPTION
FIG. 1 is a bottom perspective view of a food vacuum device according to the present invention;
FIG. 2 is a rear perspective view of the food vacuum device of FIG. 1;
FIG. 3 is a front perspective view of the food vacuum device of FIG. 1;
FIG. 4 is a top view of the food vacuum device of FIG. 1;
FIG. 5 is a bottom view of the food vacuum device of FIG. 1;
FIG. 6 is a front view of the food vacuum device of FIG. 1;
FIG. 7 is a back view of the food vacuum device of FIG. 1; and,
FIG. 8 is a side view of the food vacuum device of FIG. 1.

1 Claim, 8 Drawing Sheets



(56)

References Cited

U.S. PATENT DOCUMENTS

D593,813	S *	6/2009	Yu	D7/629
7,540,127	B2 *	6/2009	Sung	B65B 31/046
				53/434
D618,716	S *	6/2010	Huang	D15/146
D682,329	S *	5/2013	Day	D15/146
D686,649	S *	7/2013	Zhou	D15/146
D694,793	S *	12/2013	Cumming	D15/146
D694,794	S *	12/2013	Cumming	D15/146
D706,846	S *	6/2014	Rim	D15/145
D854,065	S *	7/2019	Owens	D15/146
D854,594	S *	7/2019	Carey	D15/146
D866,624	S *	11/2019	Choi	D15/146
D871,470	S *	12/2019	Xu	D15/146
D910,726	S *	2/2021	Sun	D15/146
2004/0065051	A1 *	4/2004	Patterson	B65B 31/06
				53/432
2004/0155041	A1 *	8/2004	Kwon	A47J 47/10
				220/212
2005/0022480	A1 *	2/2005	Brakes	B65B 31/046
				53/512
2013/0092591	A1 *	4/2013	Moon	B65D 81/2015
				206/524.8

* cited by examiner

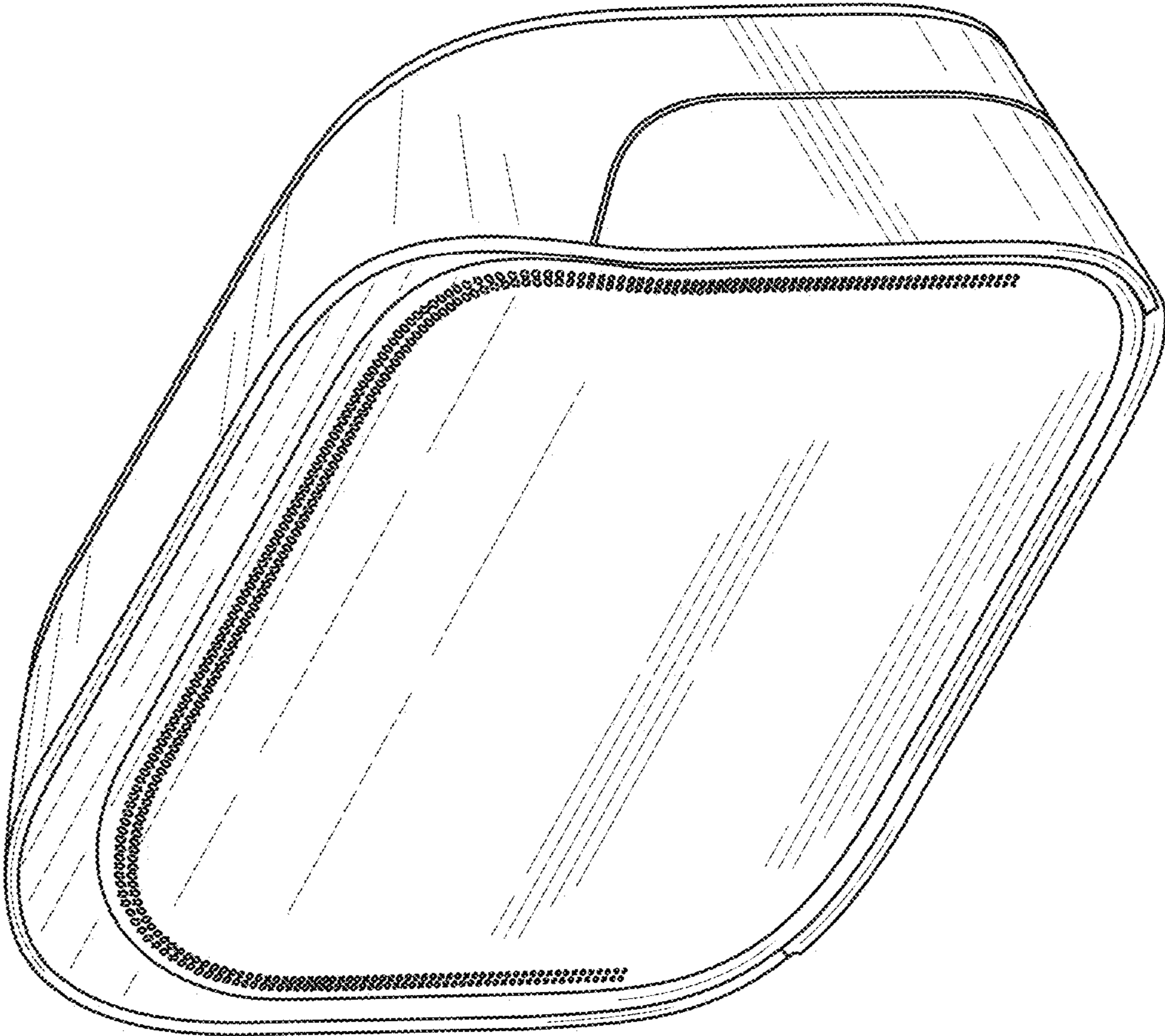


FIG. 1

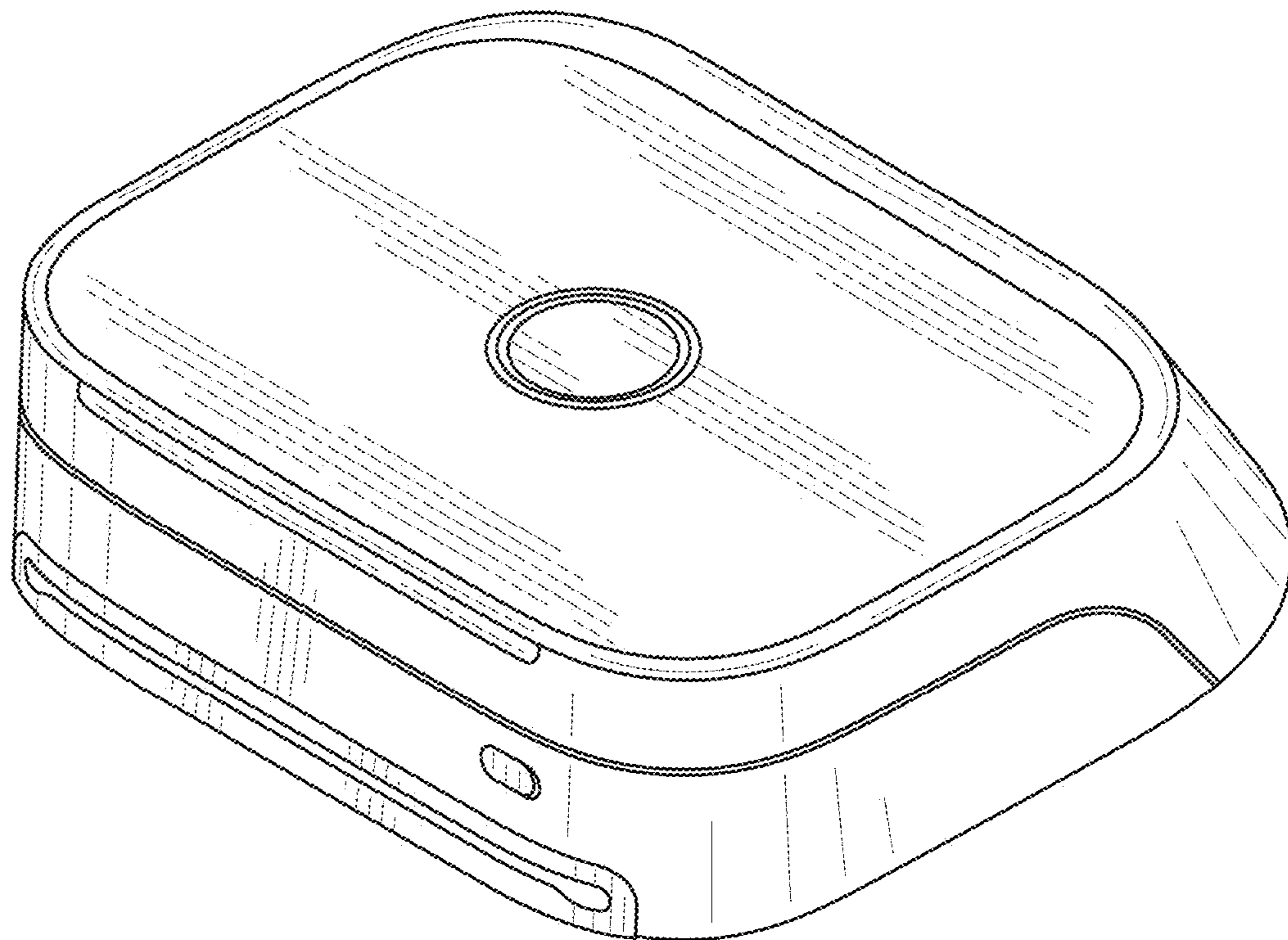


FIG. 2

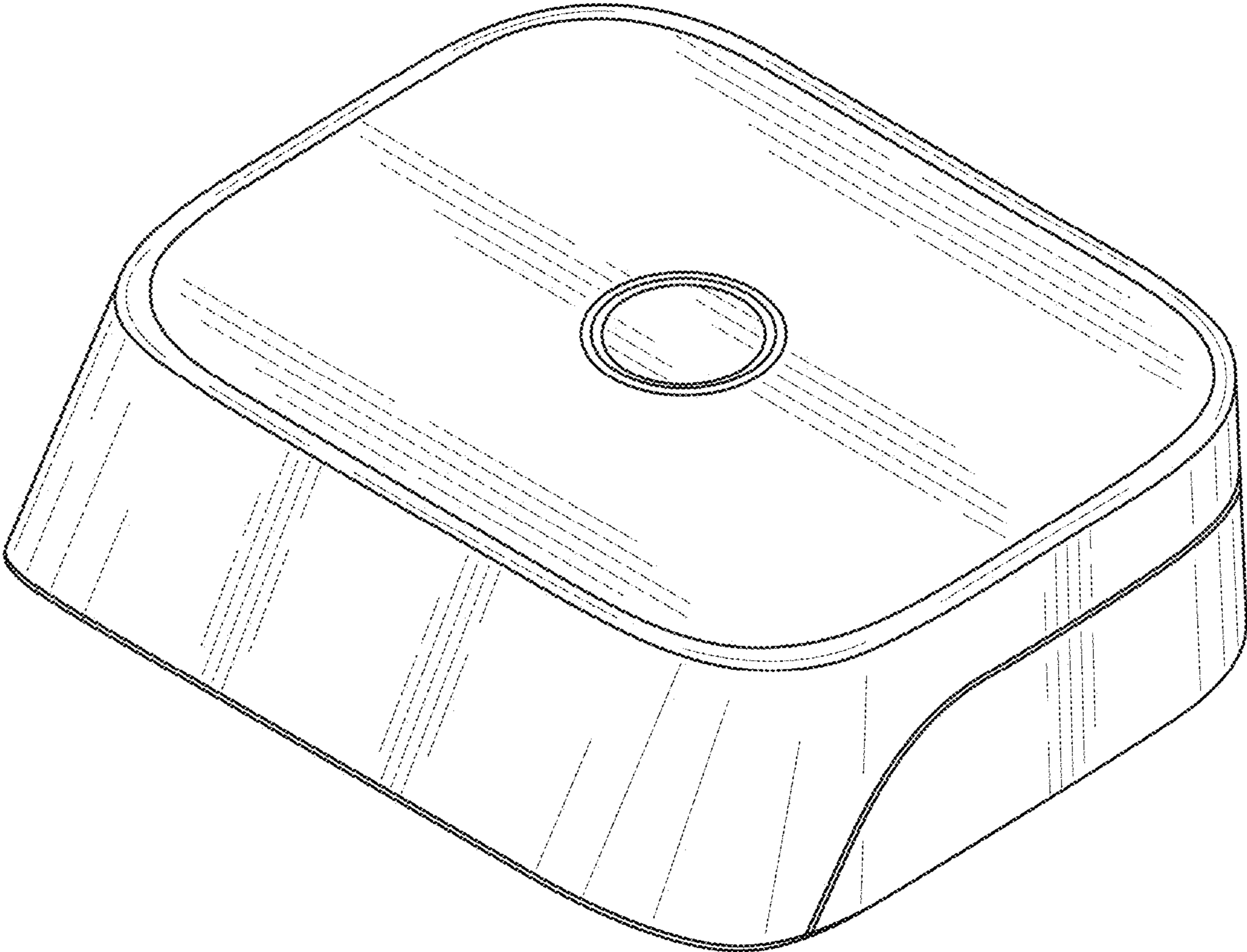


FIG. 3

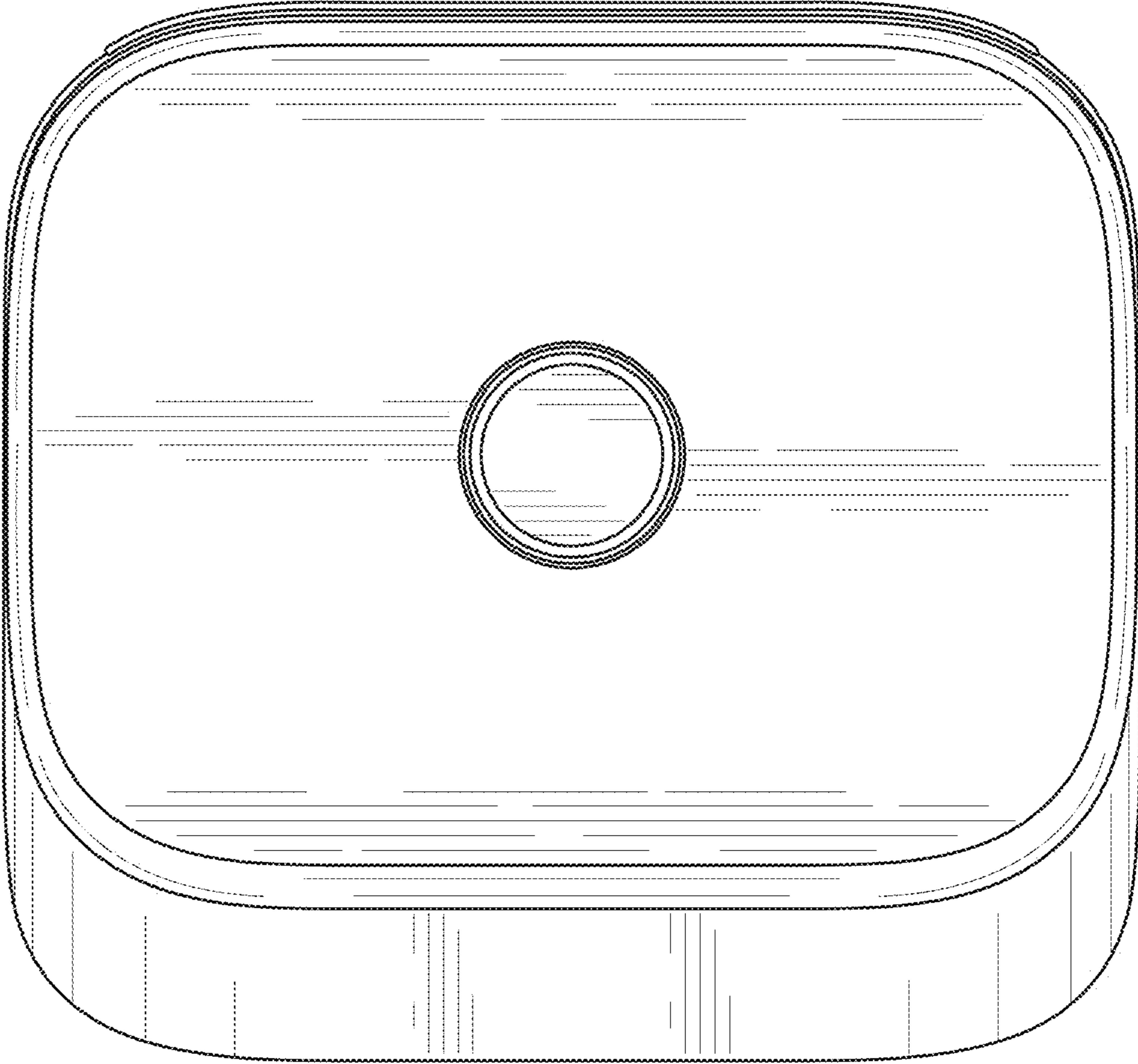


FIG. 4

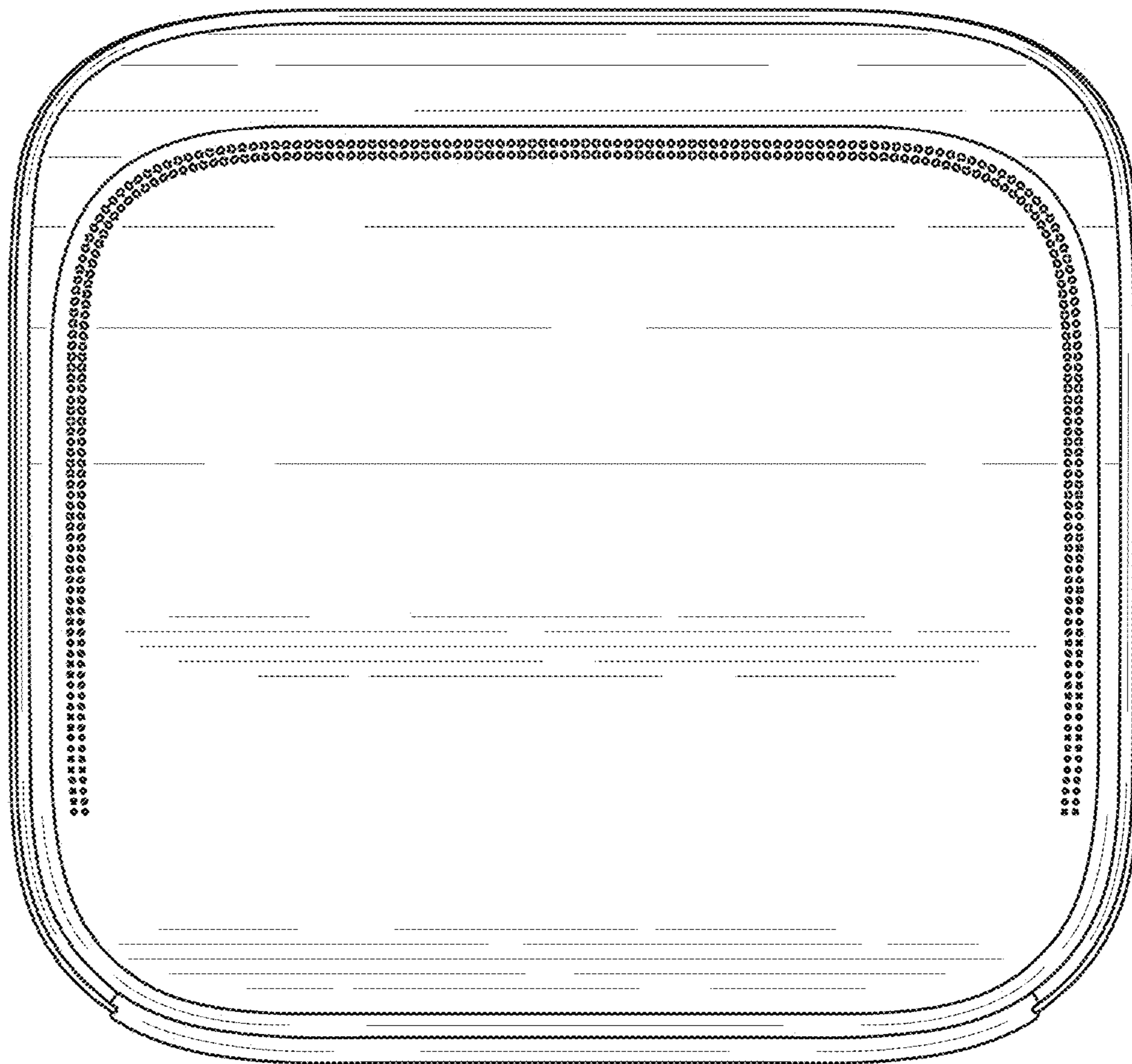


FIG. 5

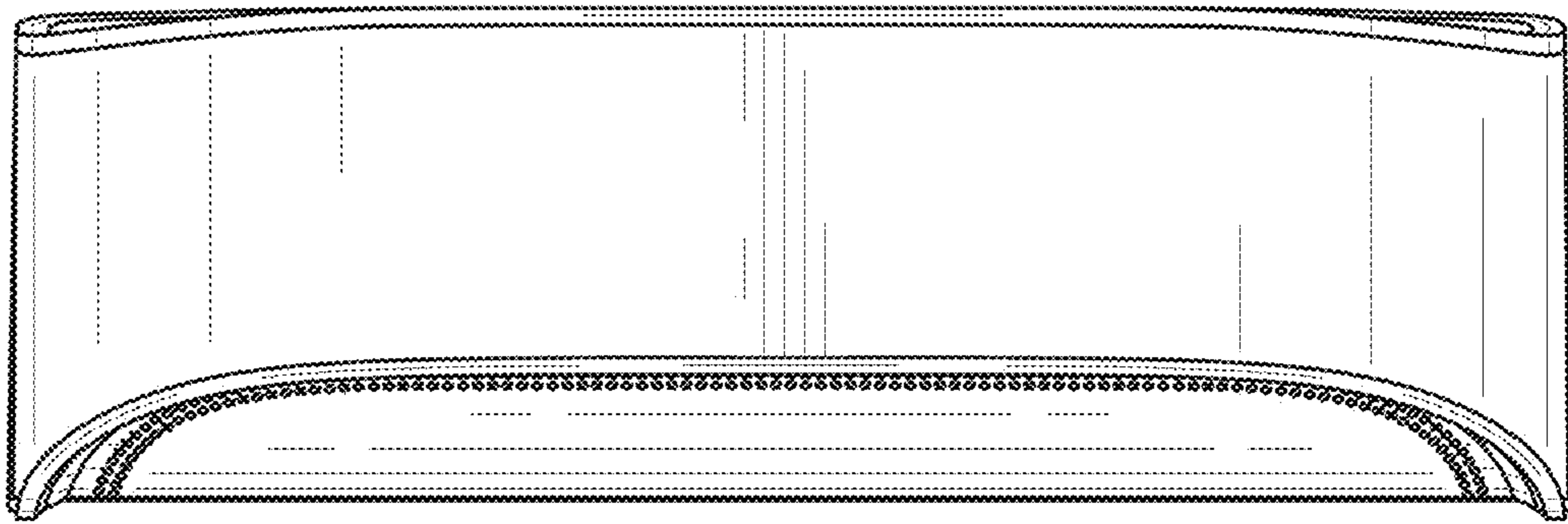


FIG. 6

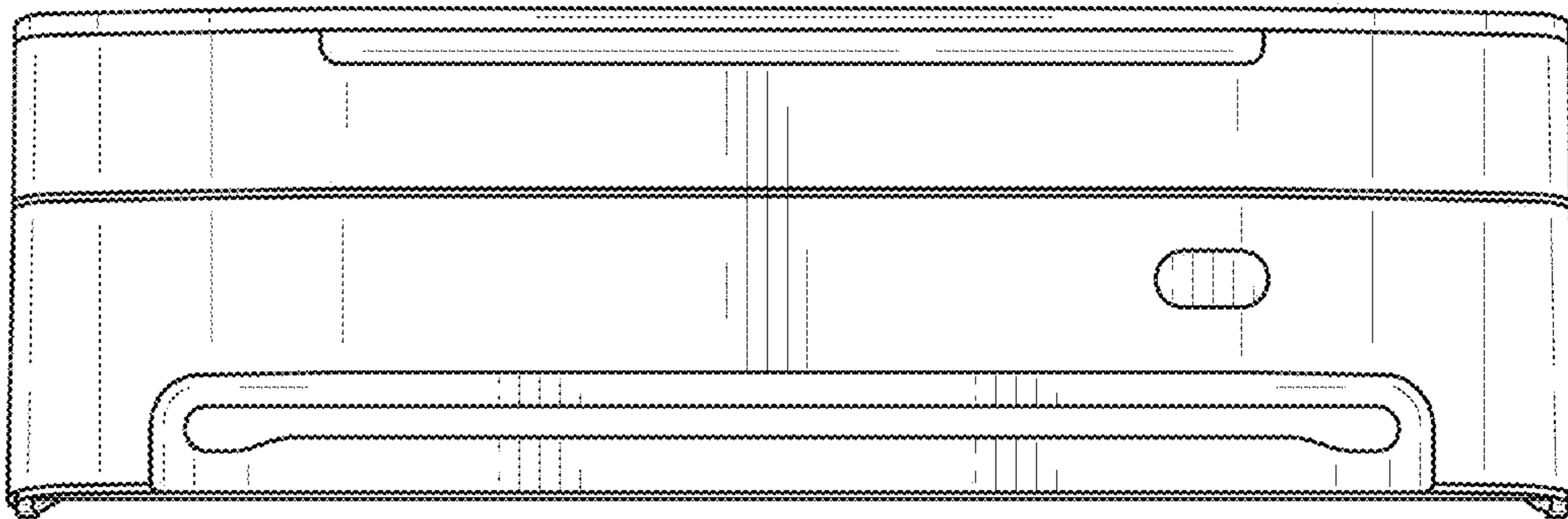


FIG. 7

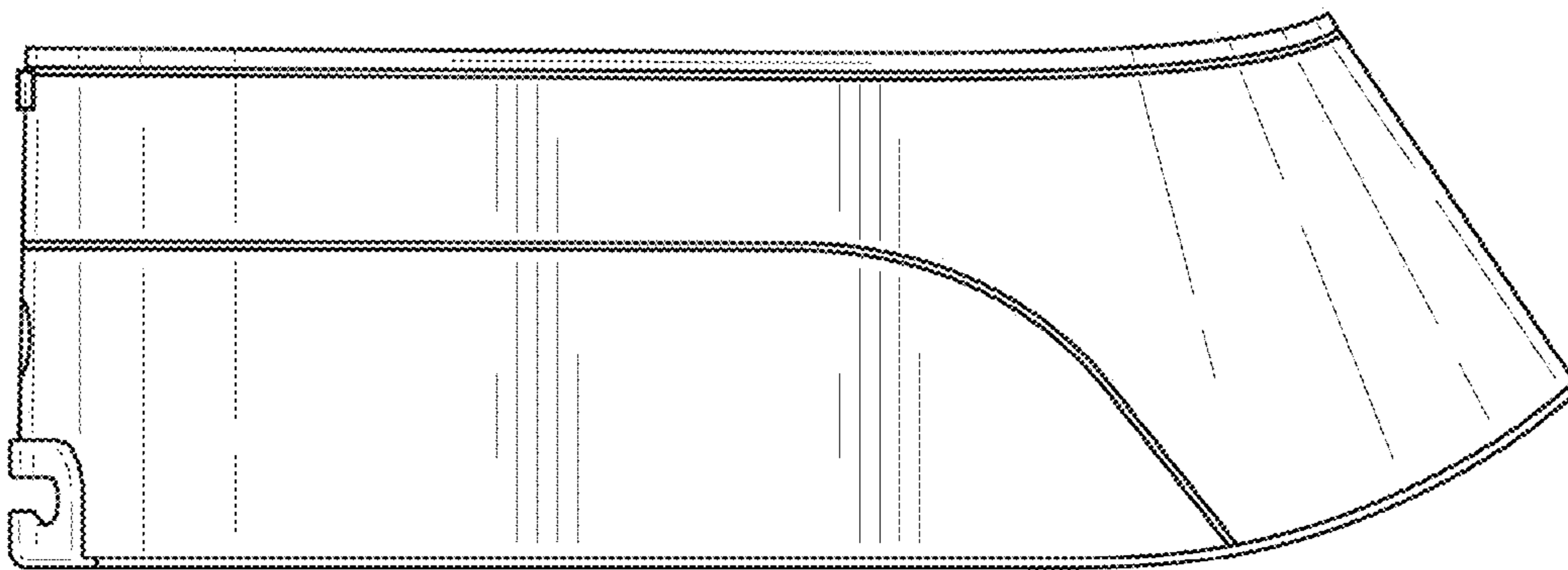


FIG. 8