



US00D936119S

(12) **United States Design Patent**
Iguchi

(10) **Patent No.:** **US D936,119 S**
(45) **Date of Patent:** **** Nov. 16, 2021**

(54) **HALF SLIDE BEARING**

FOREIGN PATENT DOCUMENTS

(71) Applicant: **TAIHO KOGYO CO., LTD.**, Toyota
(JP)

JP 2016191420 A * 11/2016
JP 2018132111 A * 8/2018
JP 2019090523 A * 6/2019 F16C 9/02

(72) Inventor: **Shingo Iguchi**, Toyota (JP)

* cited by examiner

(73) Assignee: **TAIHO KOGYO CO., LTD.**, Toyota
(JP)

Primary Examiner — Michael C Stout
Assistant Examiner — Fritzgerald L Butac

(**) Term: **15 Years**

(74) *Attorney, Agent, or Firm* — Sughrue Mion, PLLC

(21) Appl. No.: **29/613,142**

(57) **CLAIM**

(22) Filed: **Aug. 8, 2017**

The ornamental design for a half slide bearing, as shown and described.

(30) **Foreign Application Priority Data**

DESCRIPTION

Feb. 8, 2017 (JP) 2017-002263
Jun. 29, 2017 (JP) 2017-014033
Jun. 29, 2017 (JP) 2017-014034
Jun. 29, 2017 (JP) 2017-014035
Jun. 29, 2017 (JP) 2017-014036

FIG. 1 is a perspective view of a half slide bearing;
FIG. 2 is a front view thereof;
FIG. 3 is a right side view thereof;
FIG. 4 is a left side view thereof;
FIG. 5 is a top plan view thereof;
FIG. 6 is a bottom plan view thereof;
FIG. 7 is a cross-sectional view thereof taken along line 7-7 in FIG. 5; and,
FIG. 8 is a detailed perspective view of a right side portion in FIG. 1.

(51) **LOC (13) Cl.** **15-09**

(52) **U.S. Cl.**
USPC **D15/143**

(58) **Field of Classification Search**
USPC D15/1-5, 123, 143
CPC F16C 17/022; F16C 9/02; F16C 2240/42;
F01M 2011/026
See application file for complete search history.

The broken lines in the drawings are intended to show portions of the half slide bearing that are not being claimed, and thus form no part of the claimed design.

(56) **References Cited**

U.S. PATENT DOCUMENTS

1 Claim, 4 Drawing Sheets

D557,298 S * 12/2007 Ingham D15/143

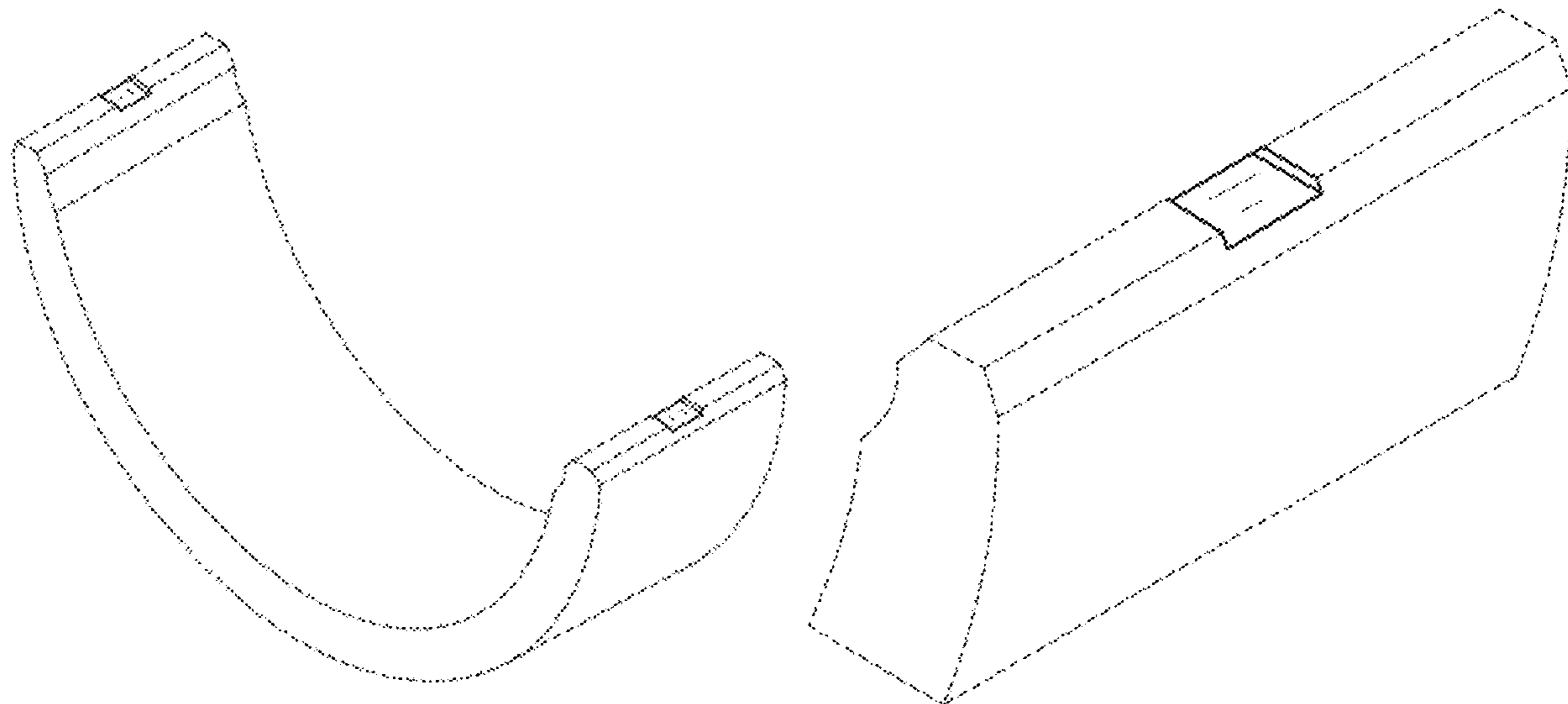


FIG. 1

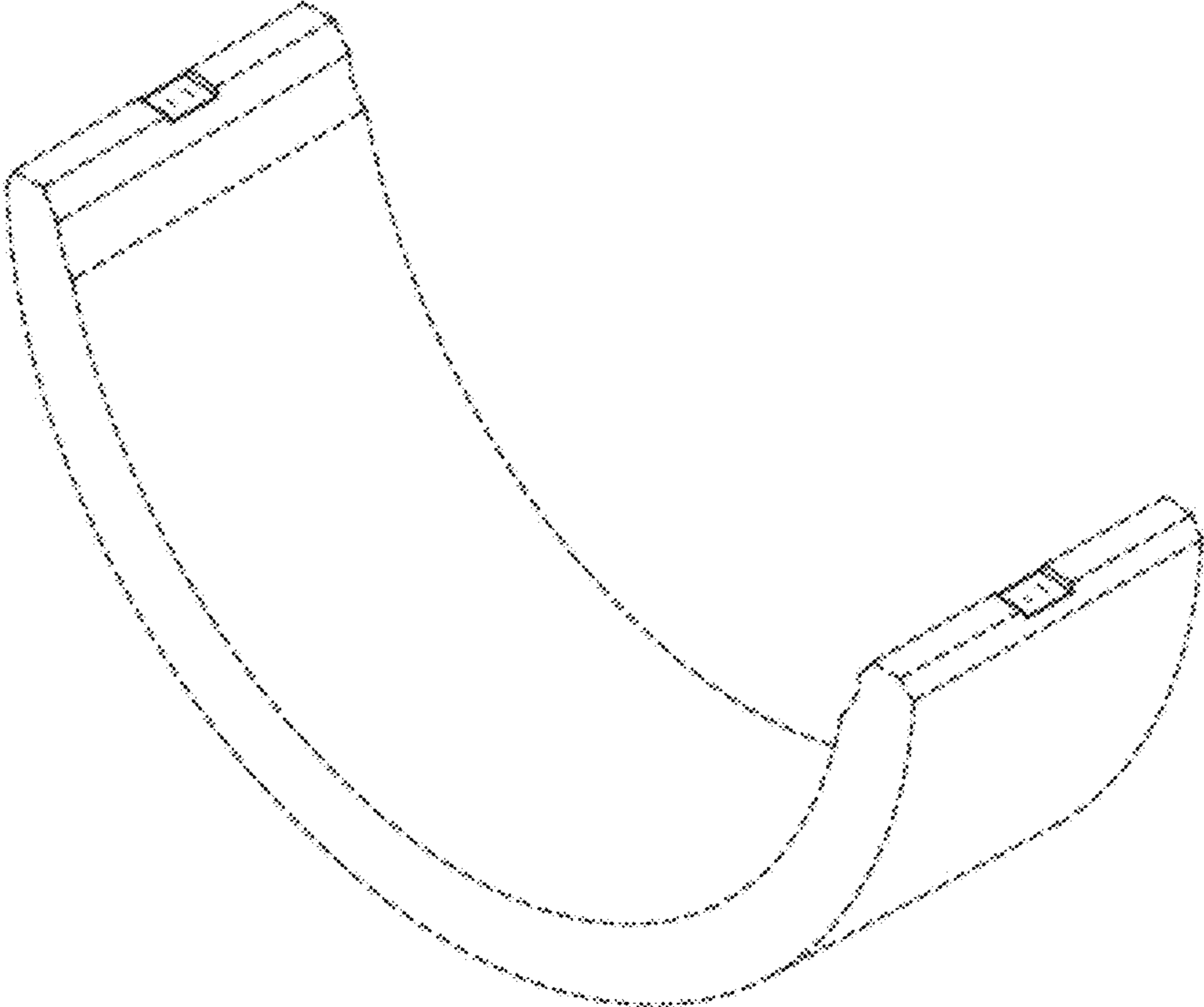


FIG. 2

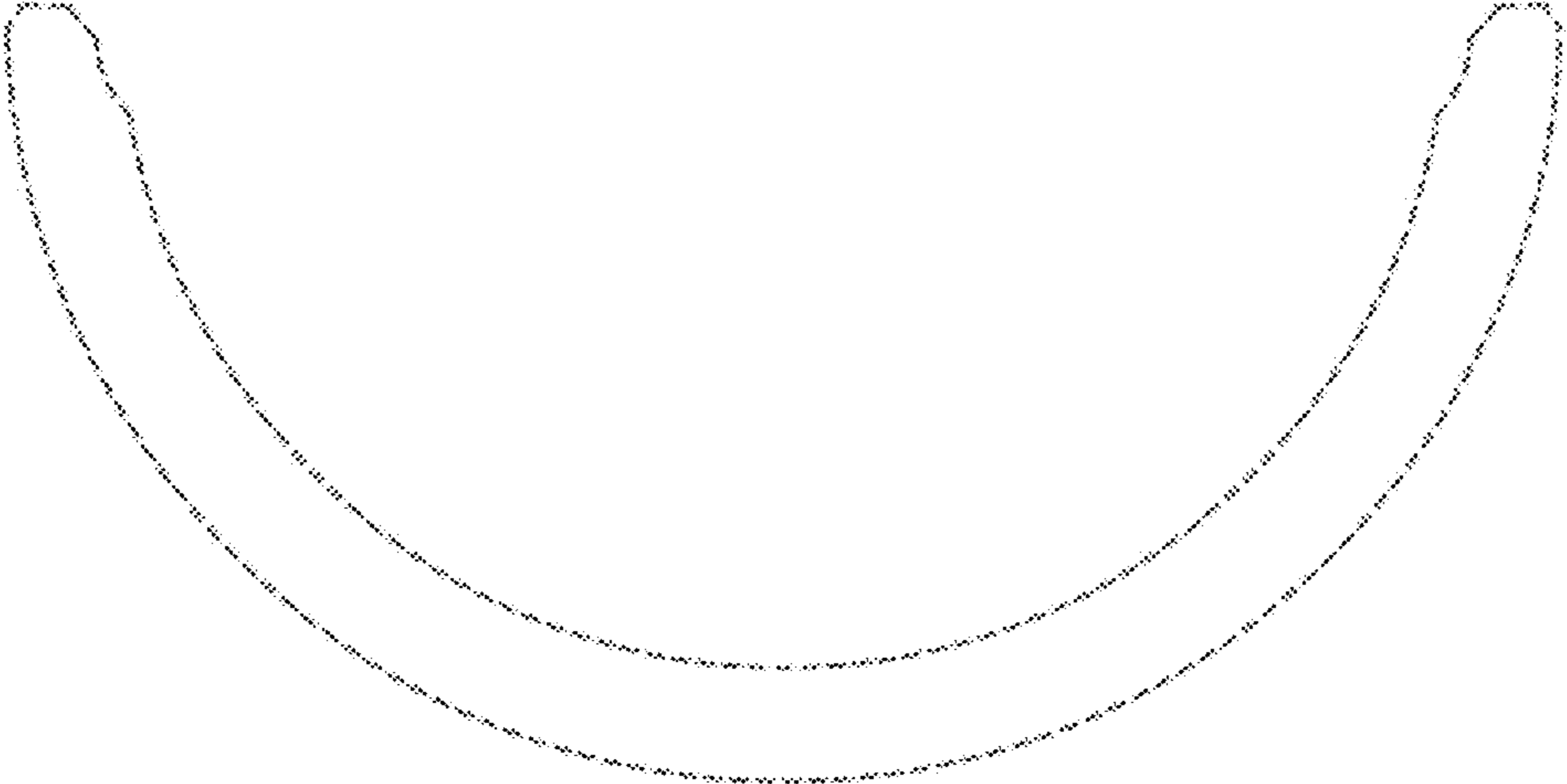


FIG. 3

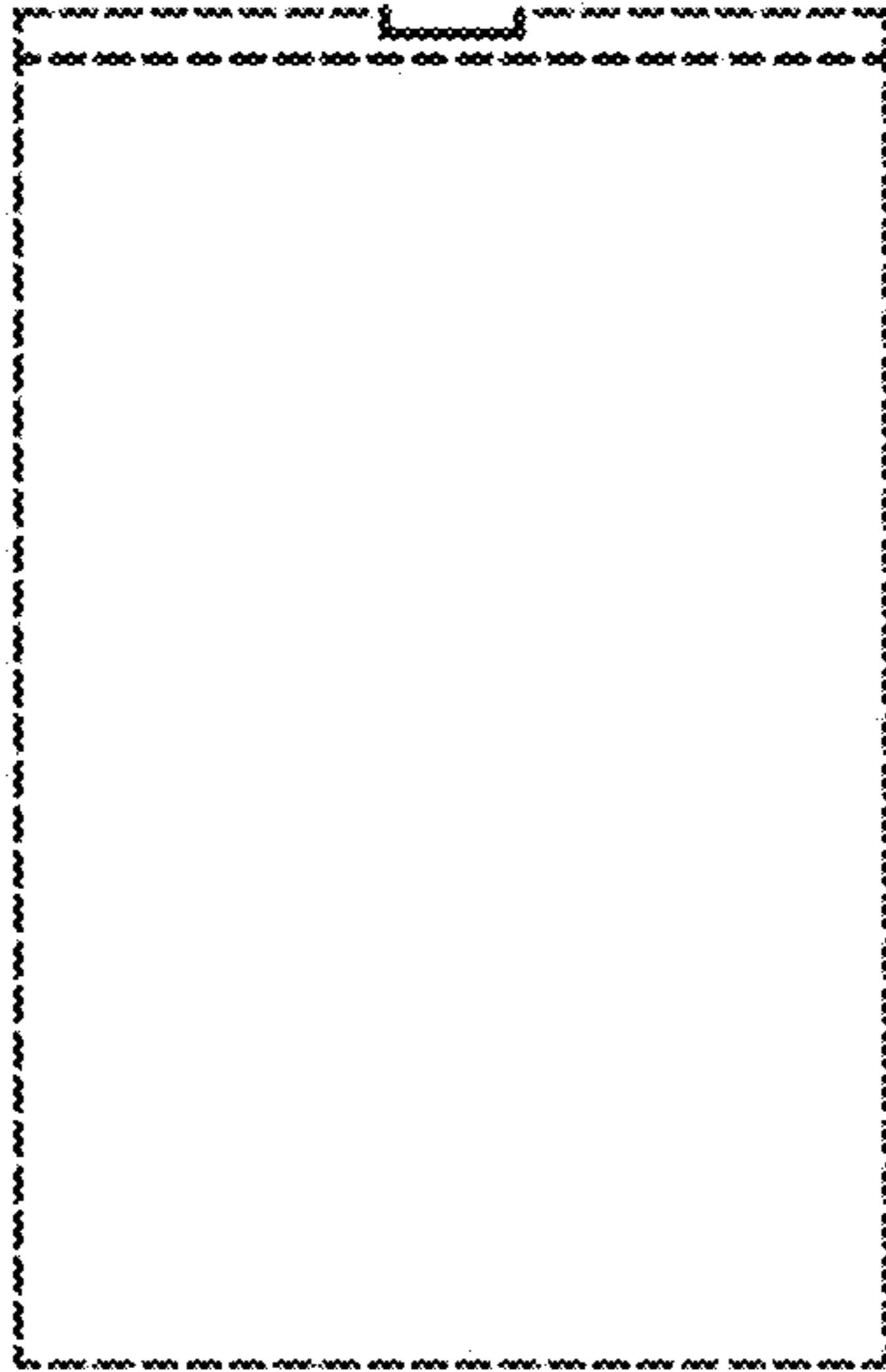


FIG. 4

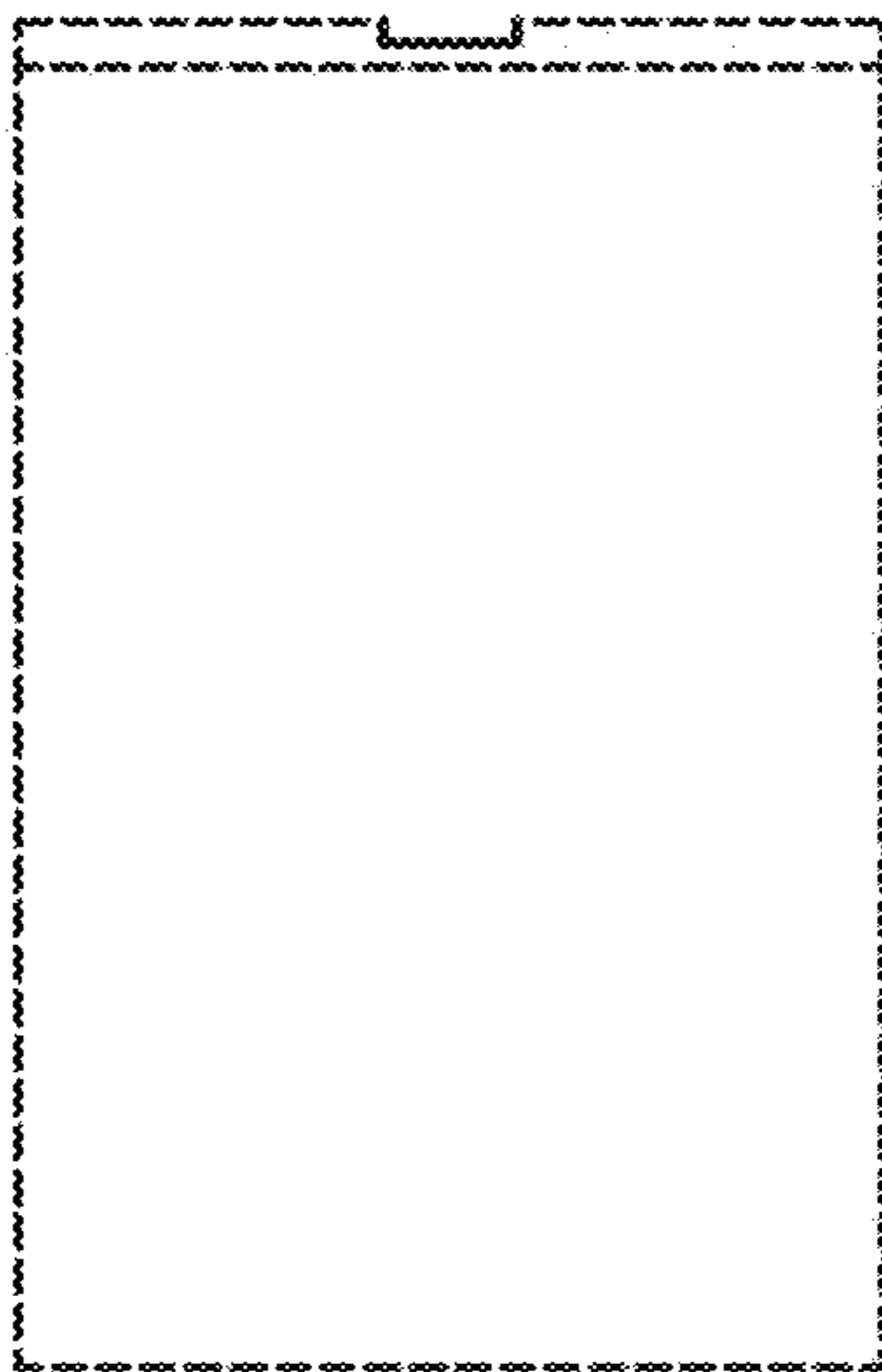


FIG. 5



FIG. 6



FIG. 7

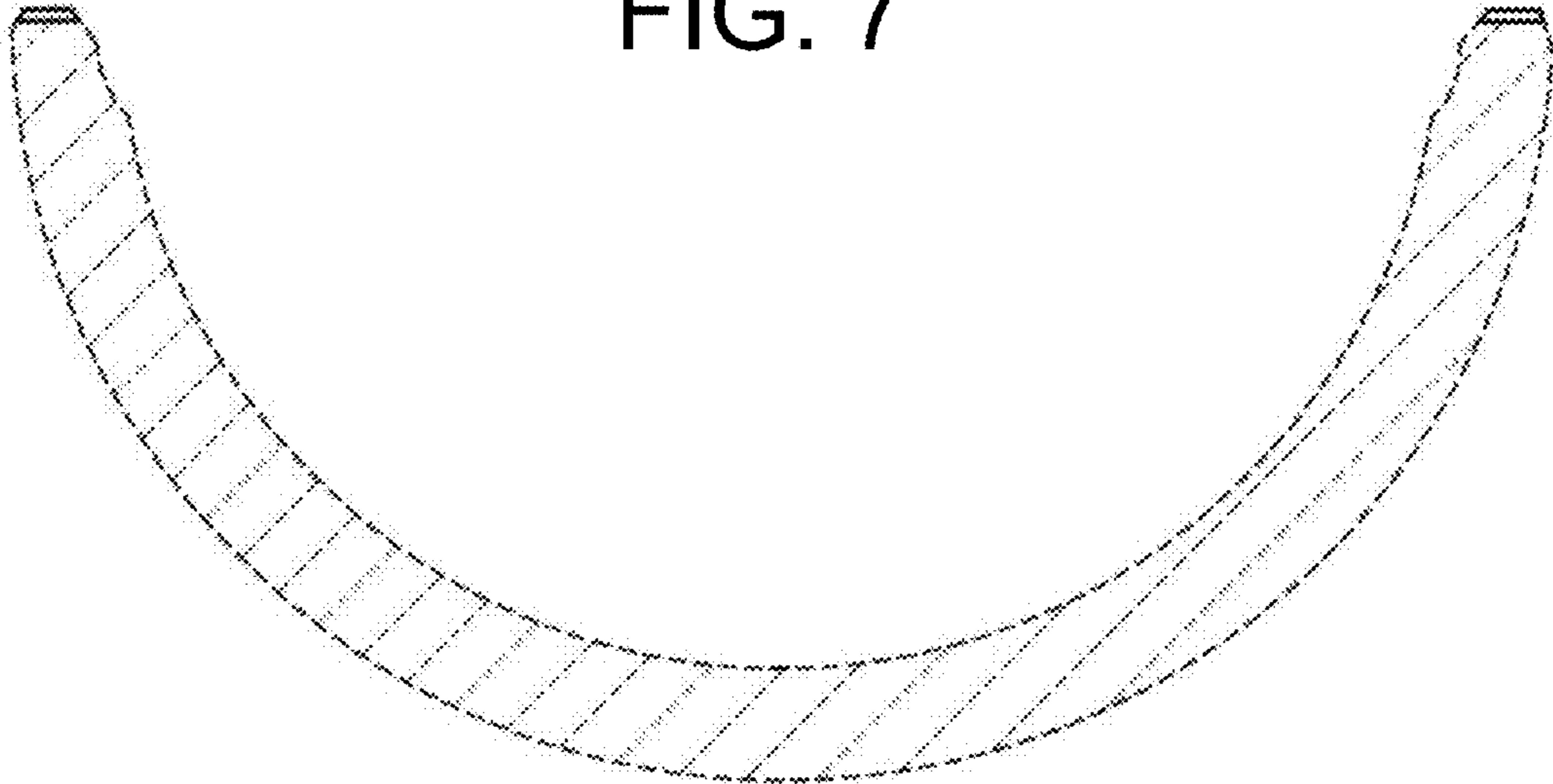


FIG. 8

