



US00D936118S

(12) **United States Design Patent**
Wang

(10) **Patent No.:** **US D936,118 S**

(45) **Date of Patent:** **** Nov. 16, 2021**

- (54) **CORE DRILL**
- (71) Applicant: **TING FONG ELECTRIC & MACHINERY CO., LTD.**, New Taipei (TW)
- (72) Inventor: **Hsien-Pei Wang**, New Taipei (TW)
- (73) Assignee: **TING FONG ELECTRIC & MACHINERY CO., LTD.**, New Taipei (TW)
- (**) Term: **15 Years**
- (21) Appl. No.: **29/721,635**
- (22) Filed: **Jan. 22, 2020**
- (51) **LOC (13) Cl.** **15-09**
- (52) **U.S. Cl.**
USPC **D15/139**
- (58) **Field of Classification Search**
USPC D8/84-86; D15/21, 131, 132, 139
CPC B23C 2200/0433; B23C 2200/164; B23C 2200/361; B23C 2210/0457; B23C 5/006
See application file for complete search history.

- D656,168 S * 3/2012 Omi D15/139
- D688,715 S * 8/2013 Lampe D15/139
- D688,716 S * 8/2013 Lampe D15/139
- D700,639 S * 3/2014 Choi D15/139
- D700,640 S * 3/2014 Choi D15/139
- D705,828 S * 5/2014 Imai D15/139
- D718,357 S * 11/2014 Park D15/139
- D735,254 S * 7/2015 O'Malley D15/139
- D752,664 S * 3/2016 Jung D15/139
- D772,318 S * 11/2016 Nam D15/139
- D772,319 S * 11/2016 Nam D15/139
- D772,963 S * 11/2016 Nam D15/139
- D798,922 S * 10/2017 Frota de Souza Filho .. D15/139
- D805,564 S * 12/2017 Lee D15/139
- D805,566 S * 12/2017 Oh D15/139
- D807,935 S * 1/2018 Dudzinsky B23C 5/2221
D15/139
- D815,165 S * 4/2018 Morisaki D15/139
- D816,744 S * 5/2018 Lee D15/139
- D832,318 S * 10/2018 Ota D15/139
- D861,754 S * 10/2019 Fukuyama D15/139

(Continued)

Primary Examiner — Michael C Stout
Assistant Examiner — Fritzgerald L Butac
 (74) *Attorney, Agent, or Firm* — Muncy, Geissler, Olds & Lowe, P.C.

(57) **CLAIM**

The ornamental design for the core drill, as shown and described.

DESCRIPTION

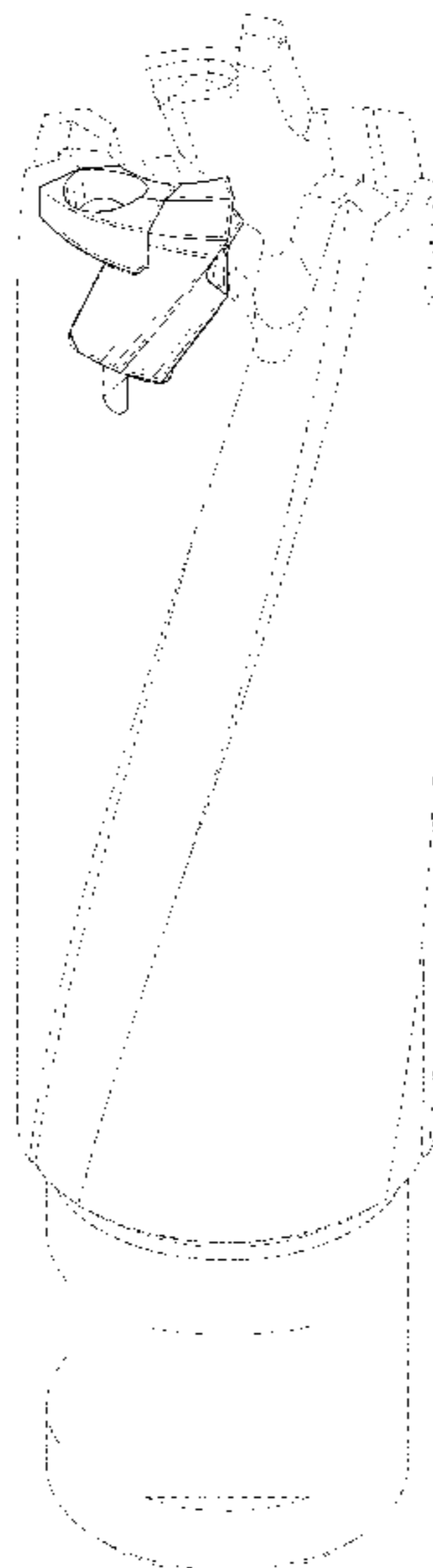
FIG. 1 is a perspective view of the core drill showing my new design;
 FIG. 2 is a front elevational view thereof;
 FIG. 3 is a rear elevational view thereof;
 FIG. 4 is a left side elevational view thereof;
 FIG. 5 is a right side elevational view thereof;
 FIG. 6 is a top plan view thereof; and,
 FIG. 7 is another perspective view.

1 Claim, 4 Drawing Sheets

(56) **References Cited**

U.S. PATENT DOCUMENTS

- 5,207,538 A * 5/1993 Satran B23C 5/2213
407/113
- D404,743 S * 1/1999 Satran D15/139
- D567,832 S * 4/2008 Edwards D15/139
- D588,616 S * 3/2009 Tanaka D15/139
- D595,323 S * 6/2009 Sakata D15/139
- D595,751 S * 7/2009 Sakata D15/139
- D633,535 S * 3/2011 Tanaka D15/139
- D637,214 S * 5/2011 Saito D15/139
- D638,041 S * 5/2011 Saito D15/139
- D647,116 S * 10/2011 Omi D15/139
- D647,117 S * 10/2011 Omi D15/139
- D647,546 S * 10/2011 Omi D15/139



(56)

References Cited

U.S. PATENT DOCUMENTS

D872,784 S *	1/2020	Inagaki	D15/139
D879,848 S *	3/2020	Kinoshita	D15/139
D884,040 S *	5/2020	Endoh	D15/139
D894,982 S *	9/2020	Nagafuchi	D15/139
D898,085 S *	10/2020	Kim	D15/139
D907,670 S *	1/2021	Nagafuchi	D15/139
D908,752 S *	1/2021	Nagafuchi	D15/139

* cited by examiner

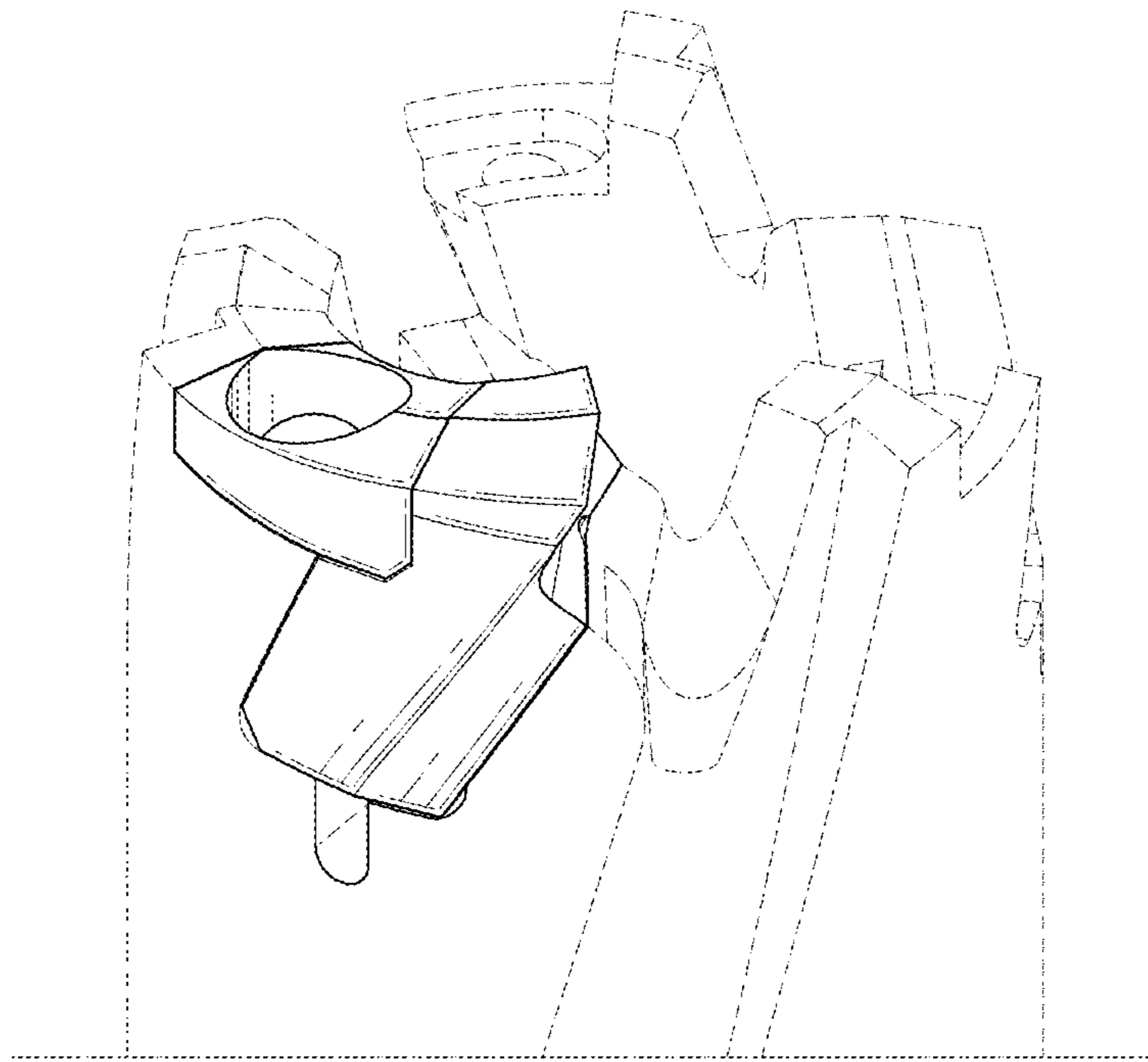


Fig. 1

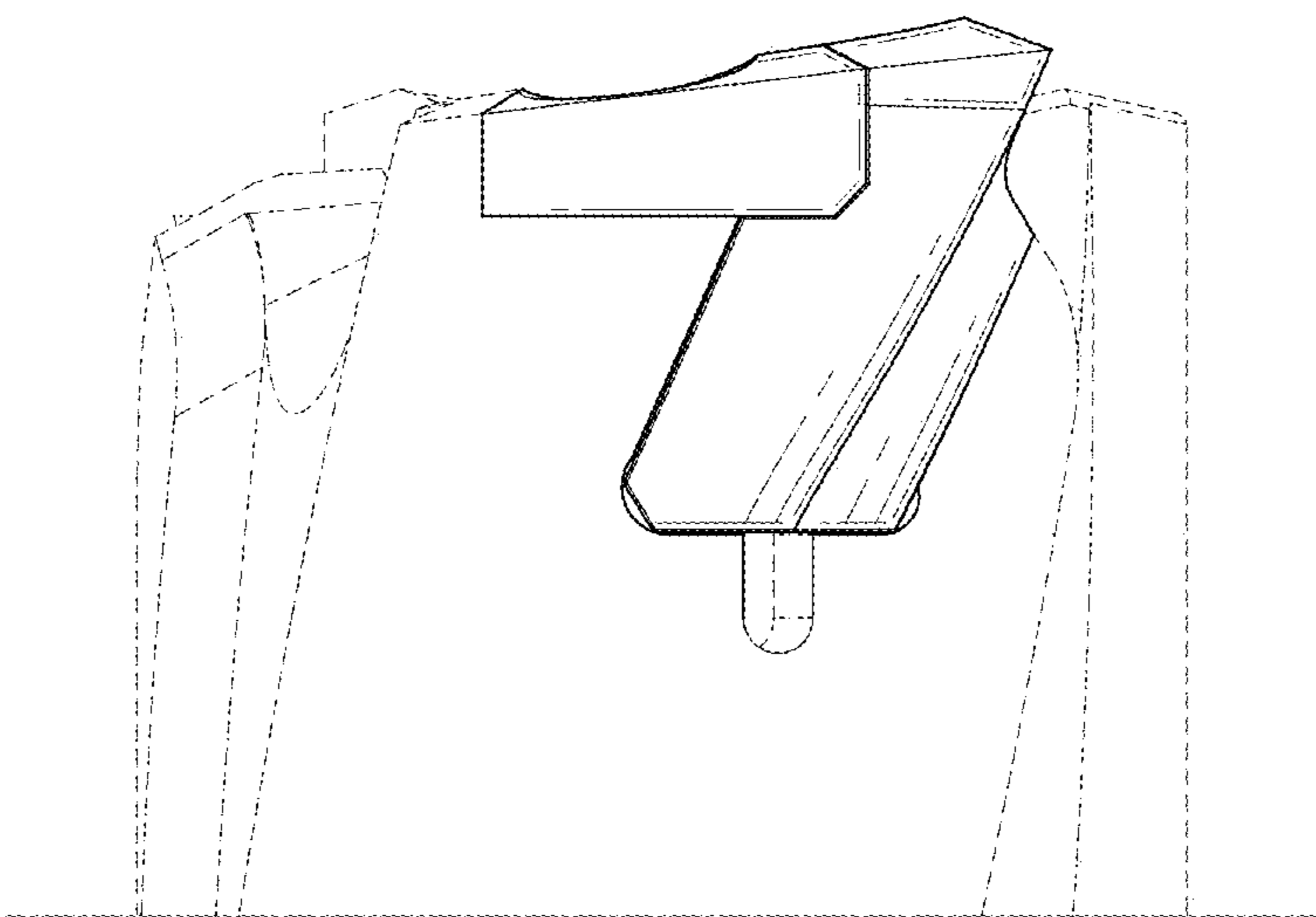


Fig. 2

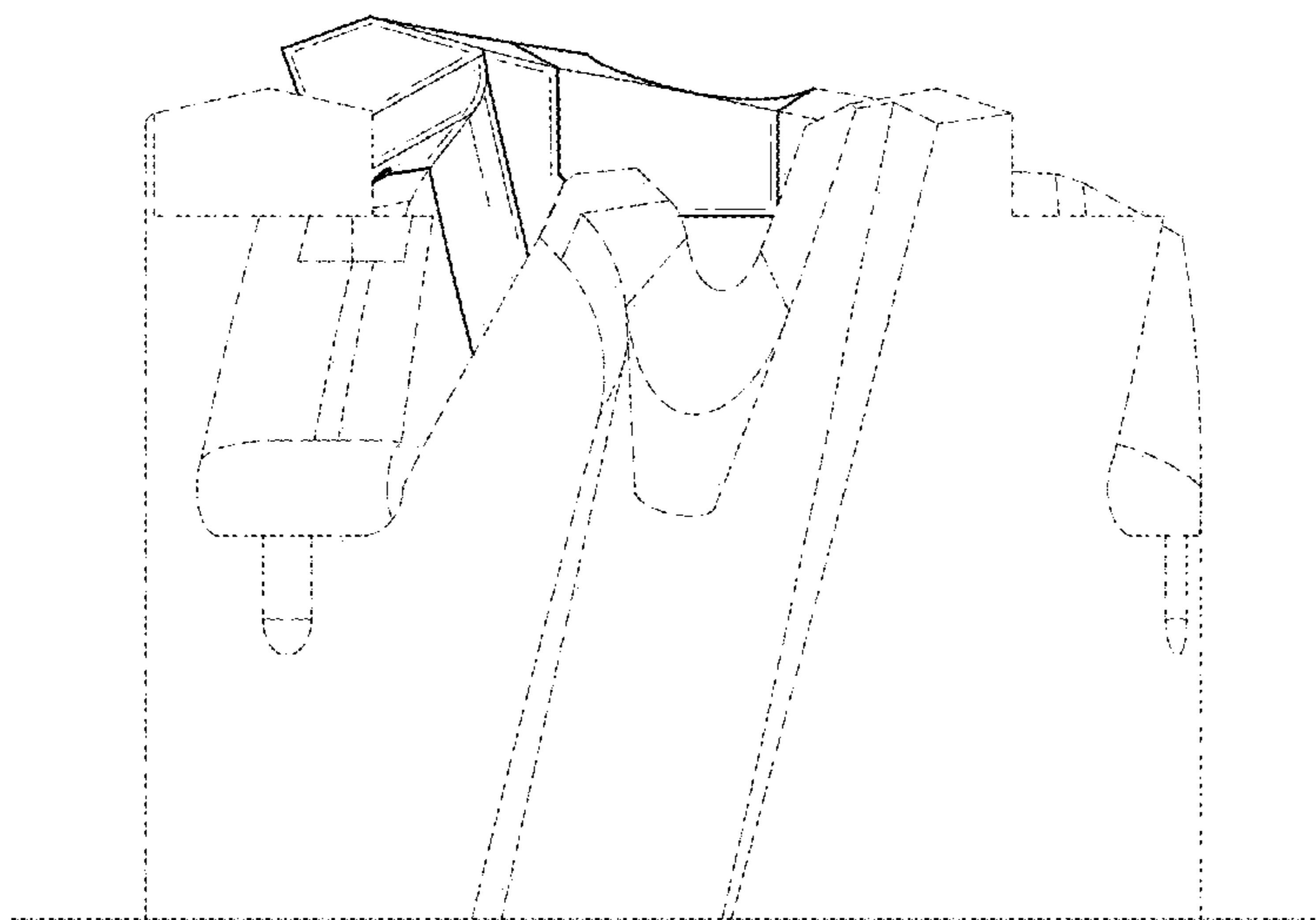


Fig. 3

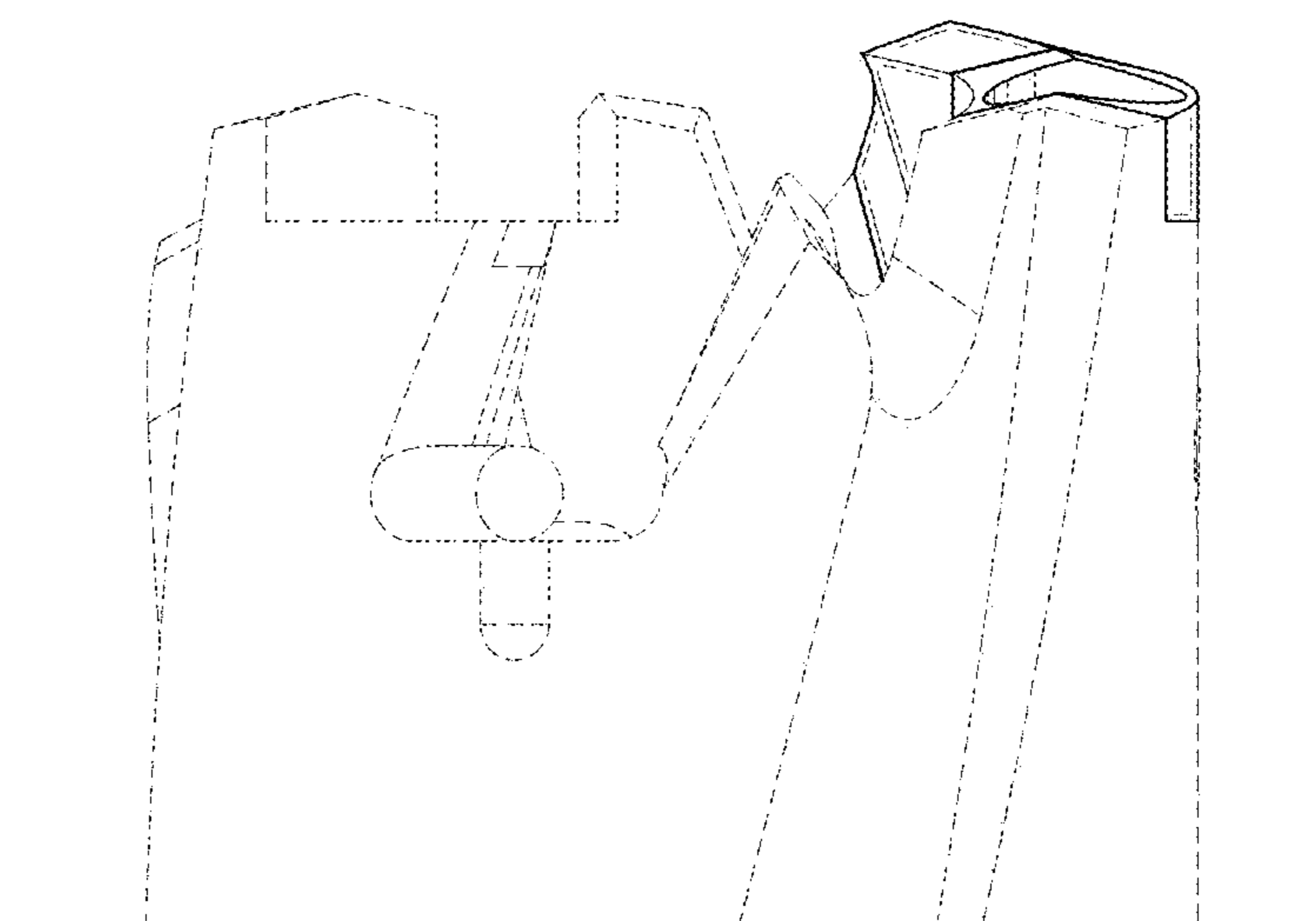


Fig. 4

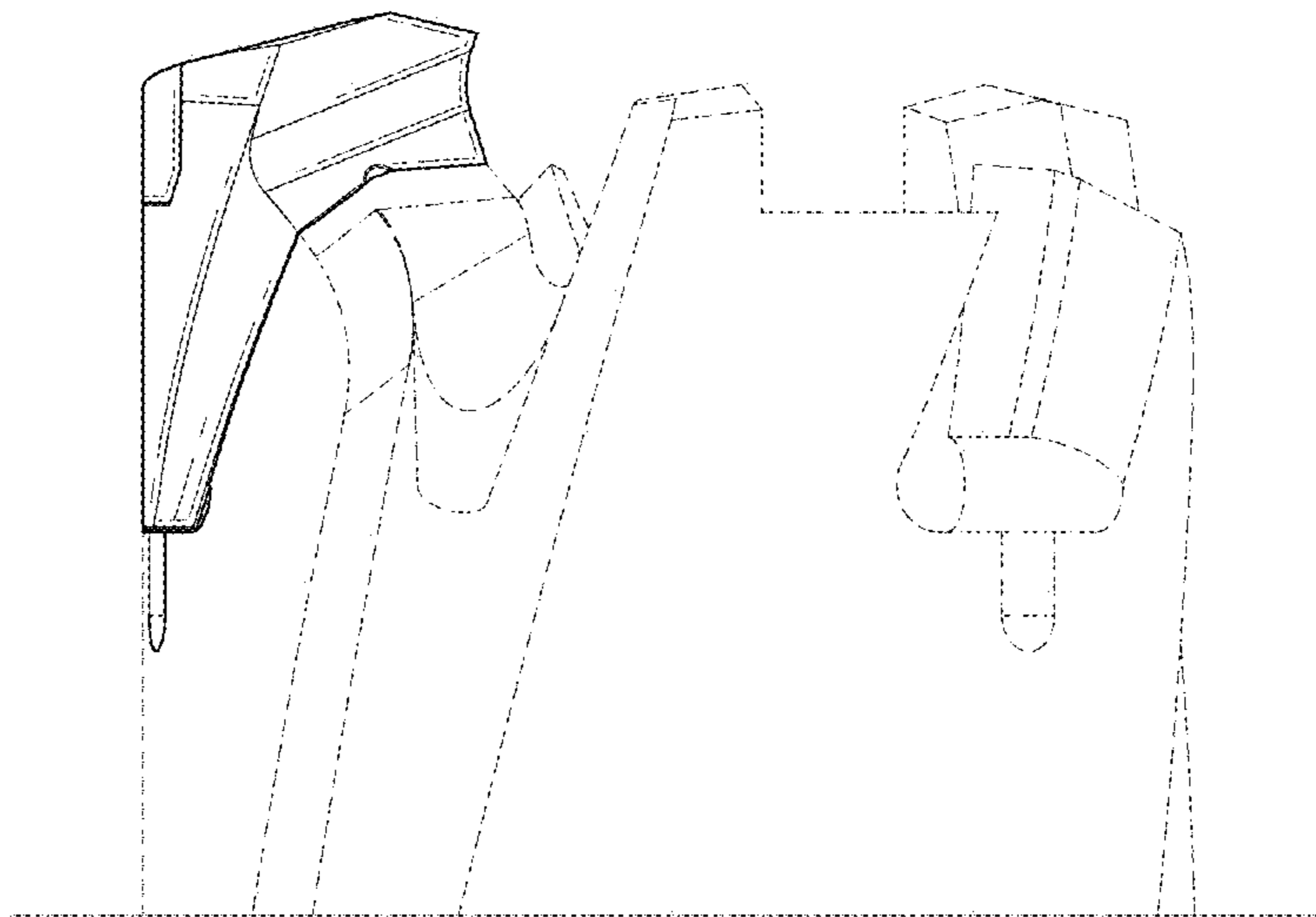


Fig. 5

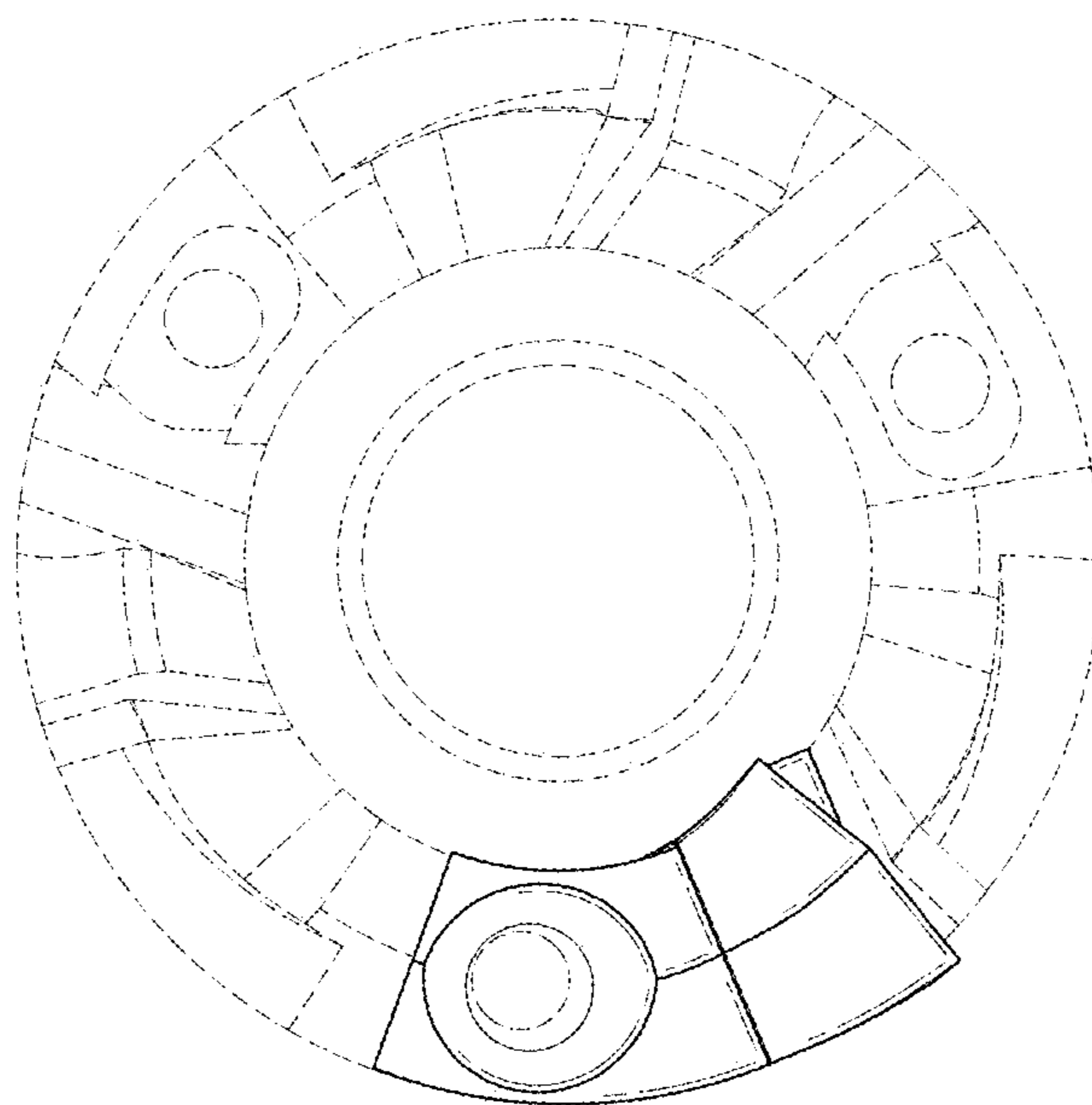


Fig. 6

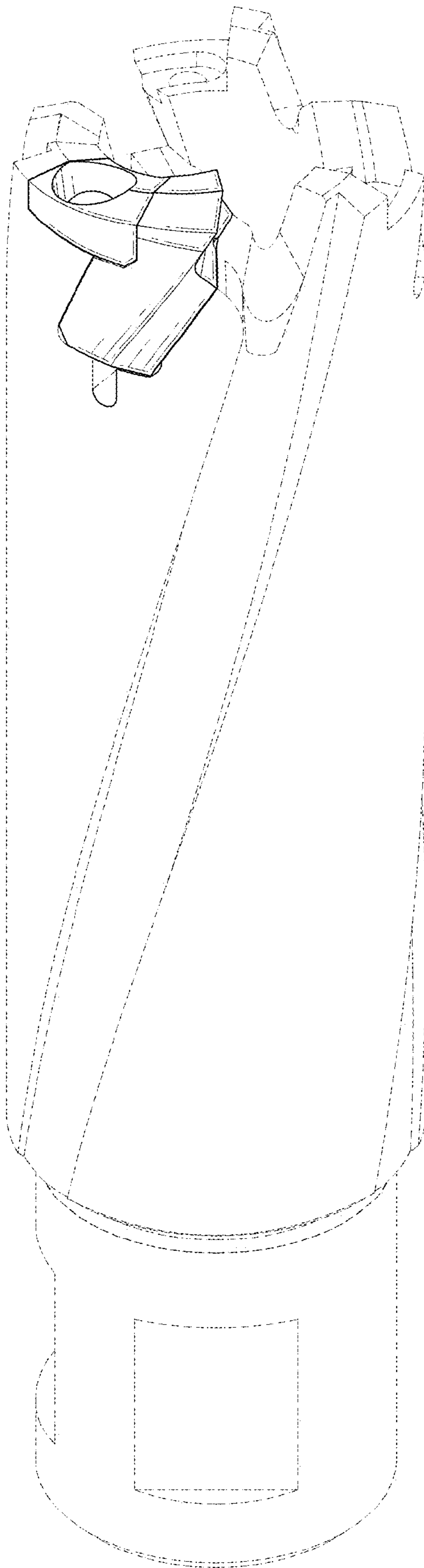


Fig. 7