



US00D936116S

(12) **United States Design Patent**
Liu et al.

(10) **Patent No.:** **US D936,116 S**

(45) **Date of Patent:** **** Nov. 16, 2021**

(54) **ICE AUGER**

(71) Applicant: **Rapala VMC Oyj**, Helsinki (FI)

(72) Inventors: **Meng Da Liu**, Edina, MN (US); **Bart Rosen**, Lakeville, MN (US)

(73) Assignee: **Rapala VMC Oyj**, Helsinki (FI)

(**) Term: **15 Years**

(21) Appl. No.: **29/723,443**

(22) Filed: **Feb. 6, 2020**

(51) **LOC (13) Cl.** **15-09**

(52) **U.S. Cl.**
USPC **D15/132**; D8/69

(58) **Field of Classification Search**
USPC D8/8, 87, 67, 70, 105; D15/20, 21, 132,
D15/138, 139, 140, 142, 147; D32/15,
D32/19, 24
CPC . B25F 5/02; B24B 23/03; E21B 7/008; E21B
10/44; A01K 97/01
See application file for complete search history.

(56) **References Cited**

U.S. PATENT DOCUMENTS

D246,824 S *	1/1978	Hansen	D8/61
D252,731 S *	8/1979	Parise	D8/62
D273,079 S *	3/1984	Ibaraki	D8/62
D283,590 S *	4/1986	Ibaraki	D8/62
D295,253 S *	4/1988	Ashworth	D32/19
D349,789 S *	8/1994	Bunyea	D32/19
5,349,785 A *	9/1994	Nickels, Jr.	B24B 23/03 15/97.1
5,950,738 A *	9/1999	Caswell	A01K 97/01 175/18
D471,681 S *	3/2003	Krieger	D32/15
D488,892 S *	4/2004	Hon	D32/19
D495,343 S *	8/2004	Tomazevic	D15/19
D541,310 S *	4/2007	Zagorov	D15/147
D618,868 S *	6/2010	Schouten	D32/19

9,528,319 B1 *	12/2016	Dostal	E21B 10/44
D829,071 S *	9/2018	Wang	D8/69
D832,316 S *	10/2018	Rosen	D15/138
2006/0254818 A1 *	11/2006	Pepple	E21B 7/008 175/18
2010/0224746 A1 *	9/2010	Johnson	E21B 7/008 248/205.1
2015/0361724 A1 *	12/2015	Feldmann	F02M 21/0239 175/18

OTHER PUBLICATIONS

Iceforcefishing, "Meet the new StrikeMaster Lithium 24V Ice Auger. More Power. More Holes.", (uploaded Sep. 1, 2020), Youtube.com, URL:<<https://www.youtube.com/watch?v=X3vo9SJunbU>> (Year: 2020).*

Landworks, Landworks Earth Ice Auger Power Head Heavy Duty Eco-Friendly, (site visited Jun. 15, 2021), Amazon.com, URL:<<https://www.amazon.com/dp/B076JKXQY2/>> (Year: 2021).*

* cited by examiner

Primary Examiner — Sheryl Lane

Assistant Examiner — Mark T. Philipps

(74) *Attorney, Agent, or Firm* — Dority & Manning, P.A.

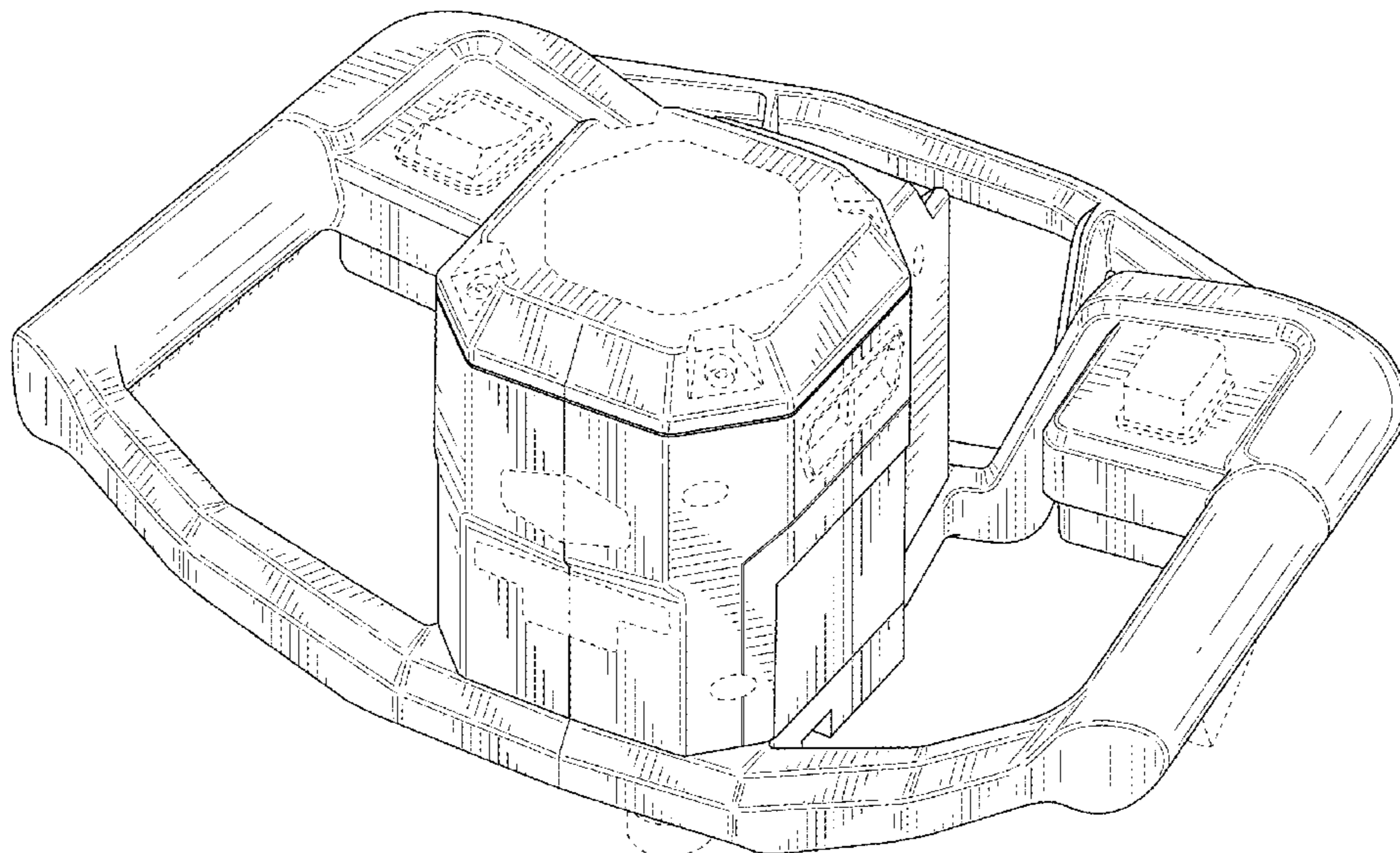
(57) **CLAIM**

The ornamental design for an ice auger, as shown and described.

DESCRIPTION

FIG. 1 is a perspective view of the ice auger;
FIG. 2 is a front view of the ice auger of FIG. 1;
FIG. 3 is a back view of the ice auger of FIG. 1;
FIG. 4 is a side view of the ice auger of FIG. 1;
FIG. 5 is another side view of the ice auger of FIG. 1;
FIG. 6 is a top view of the ice auger of FIG. 1; and,
FIG. 7 is bottom view of the ice auger of FIG. 1.
The broken lines shown in the Figures represent portions of the ice auger that form no part of the claimed design.

1 Claim, 6 Drawing Sheets



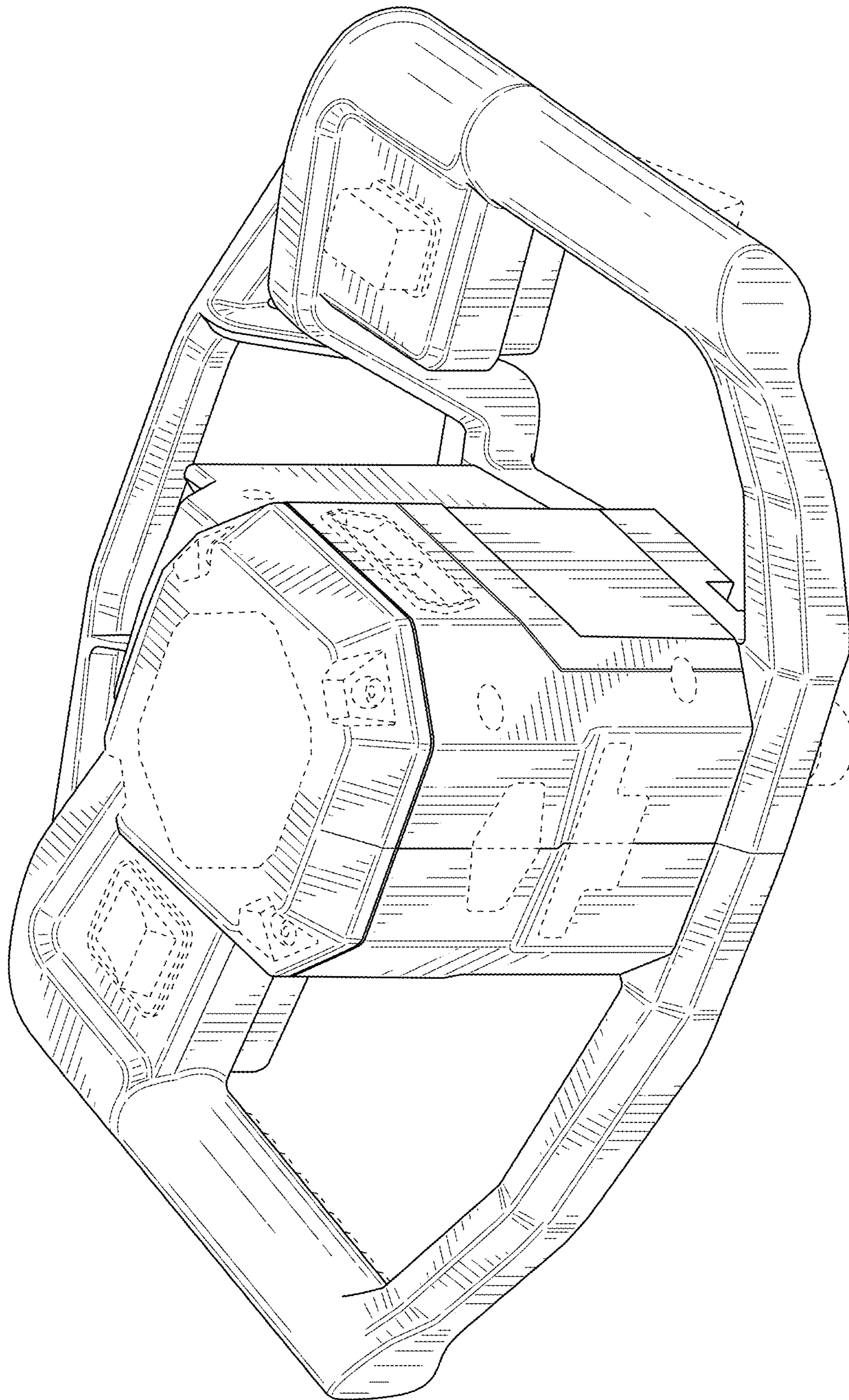


FIG. 1

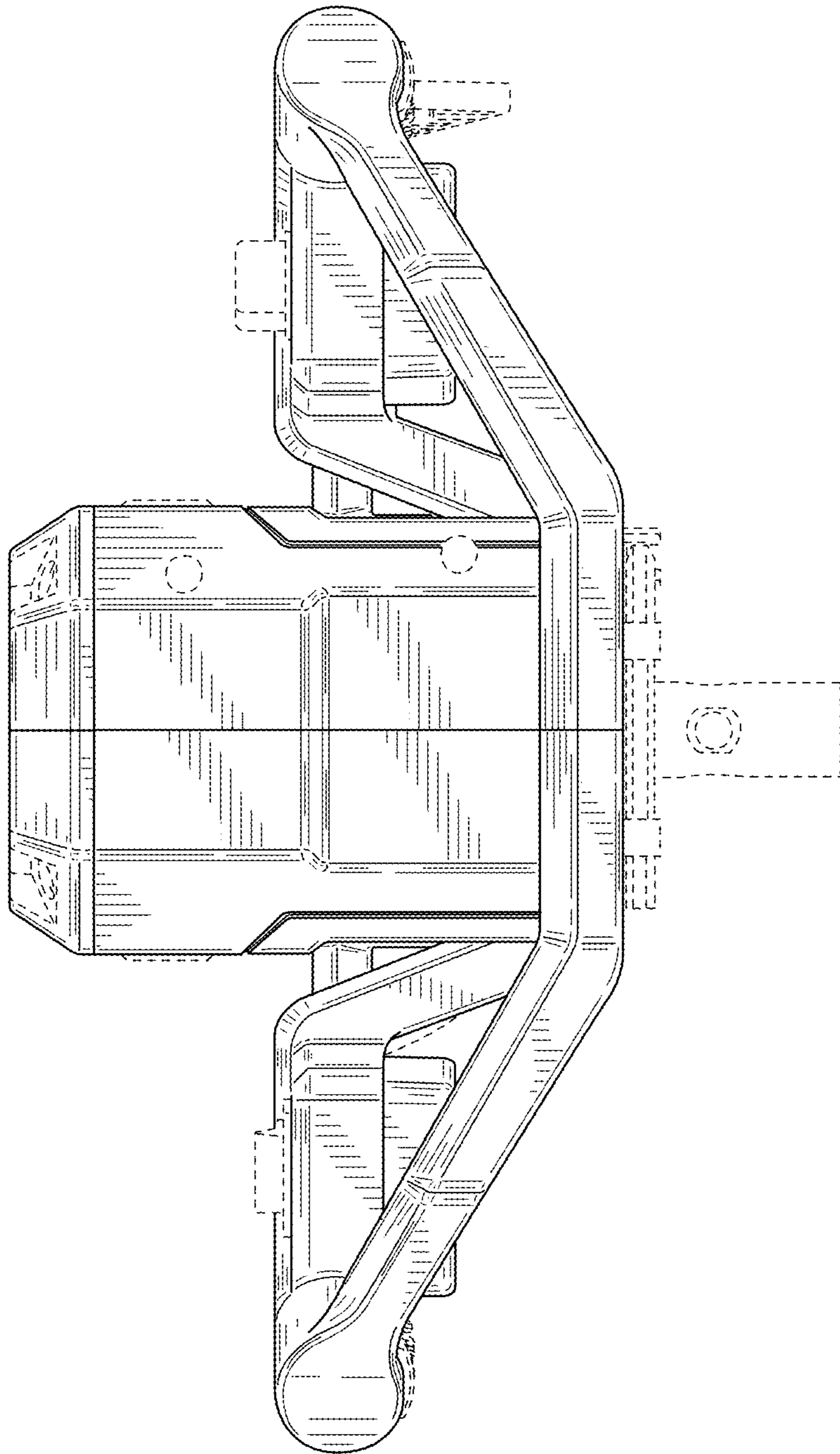


FIG. 2

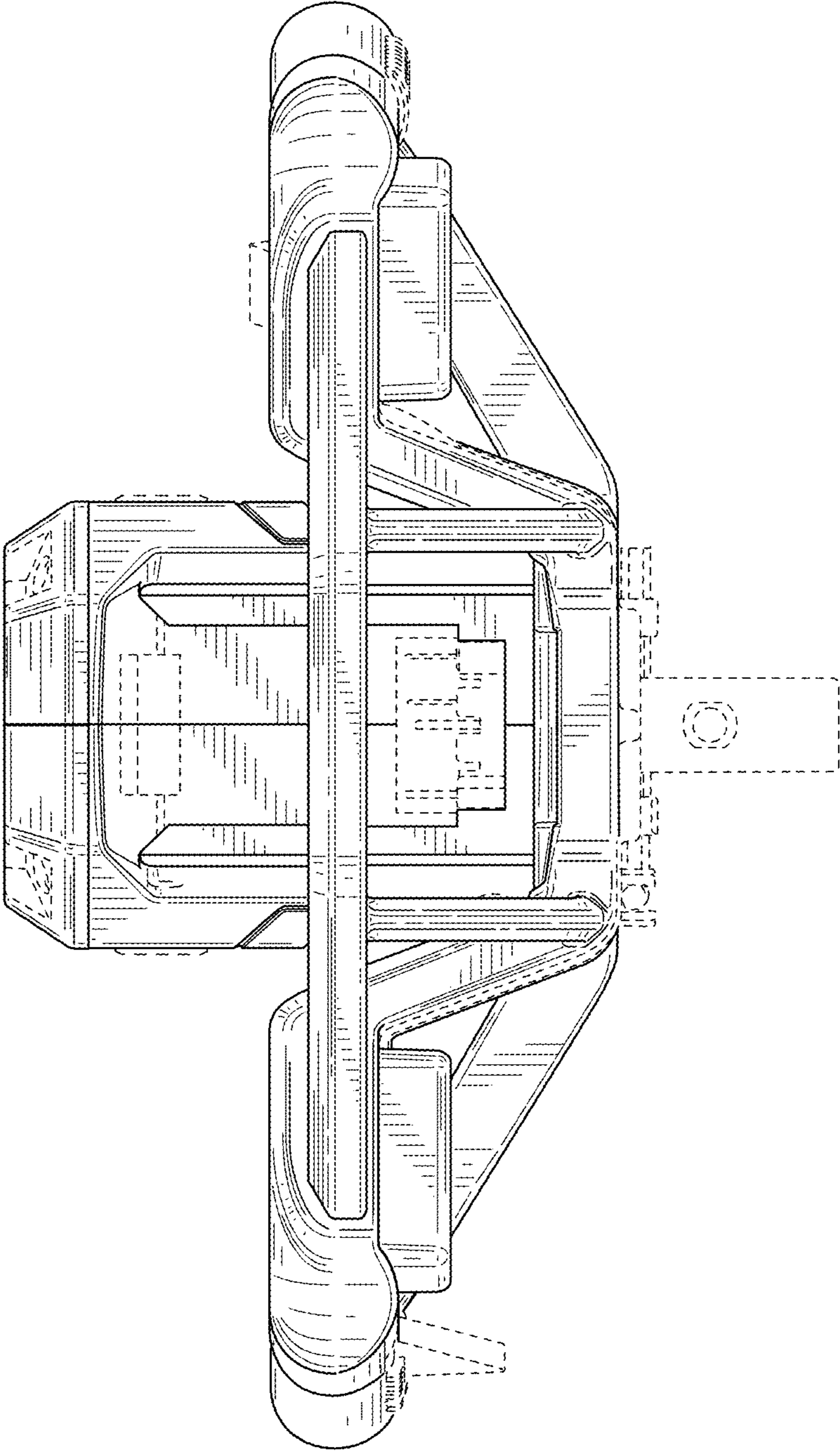


FIG. 3

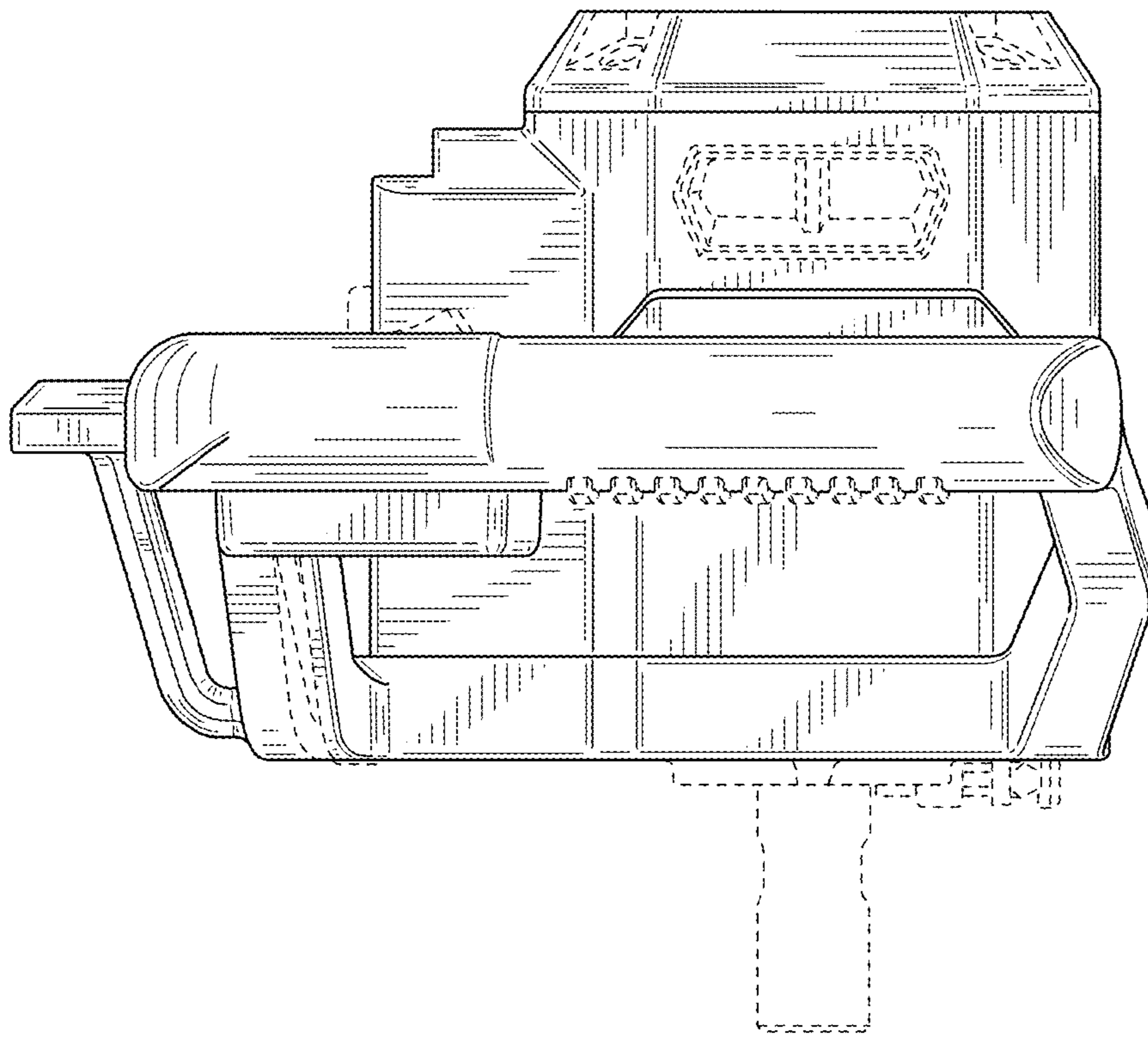


FIG. 4

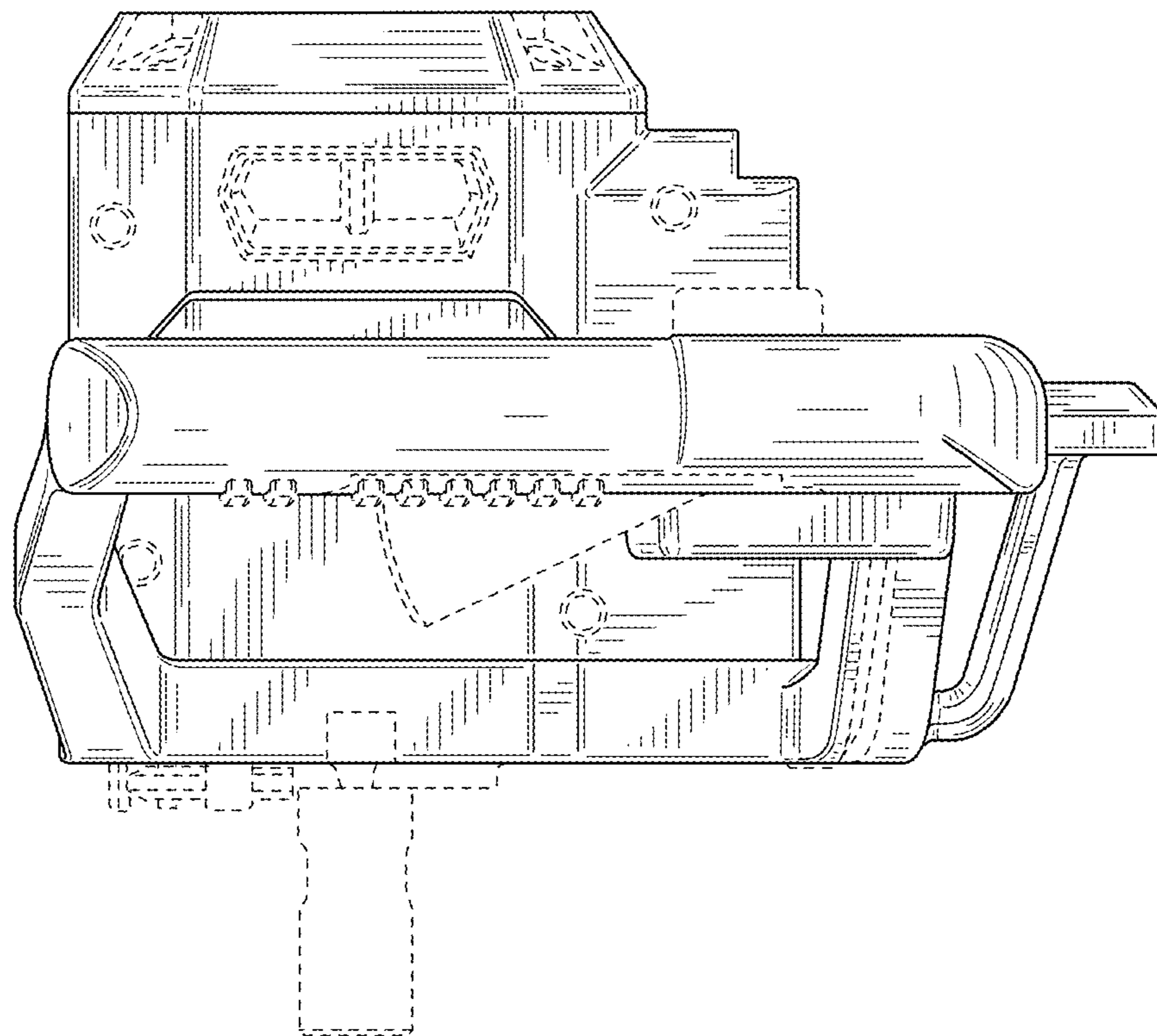


FIG. 5

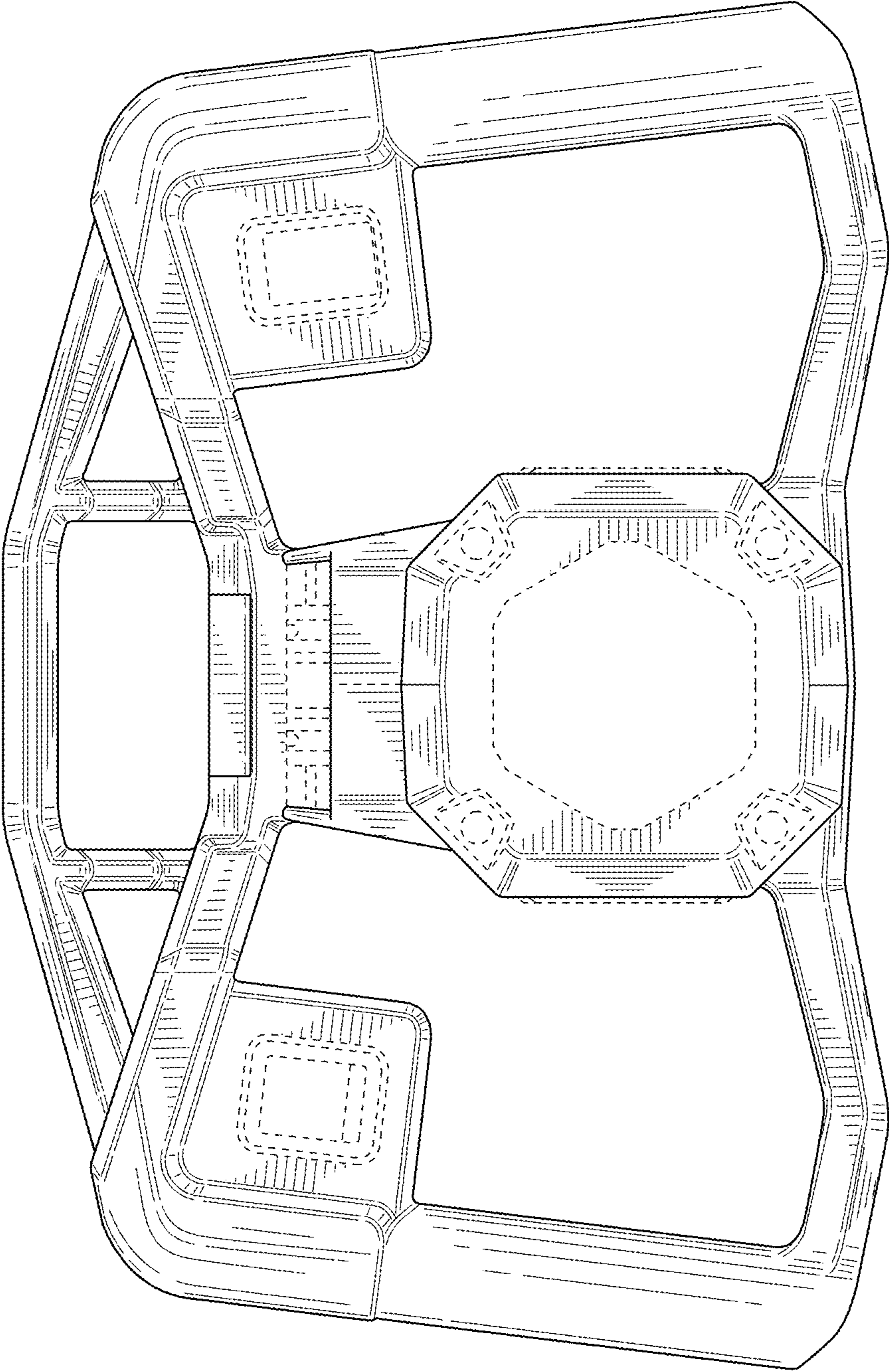


FIG. 6

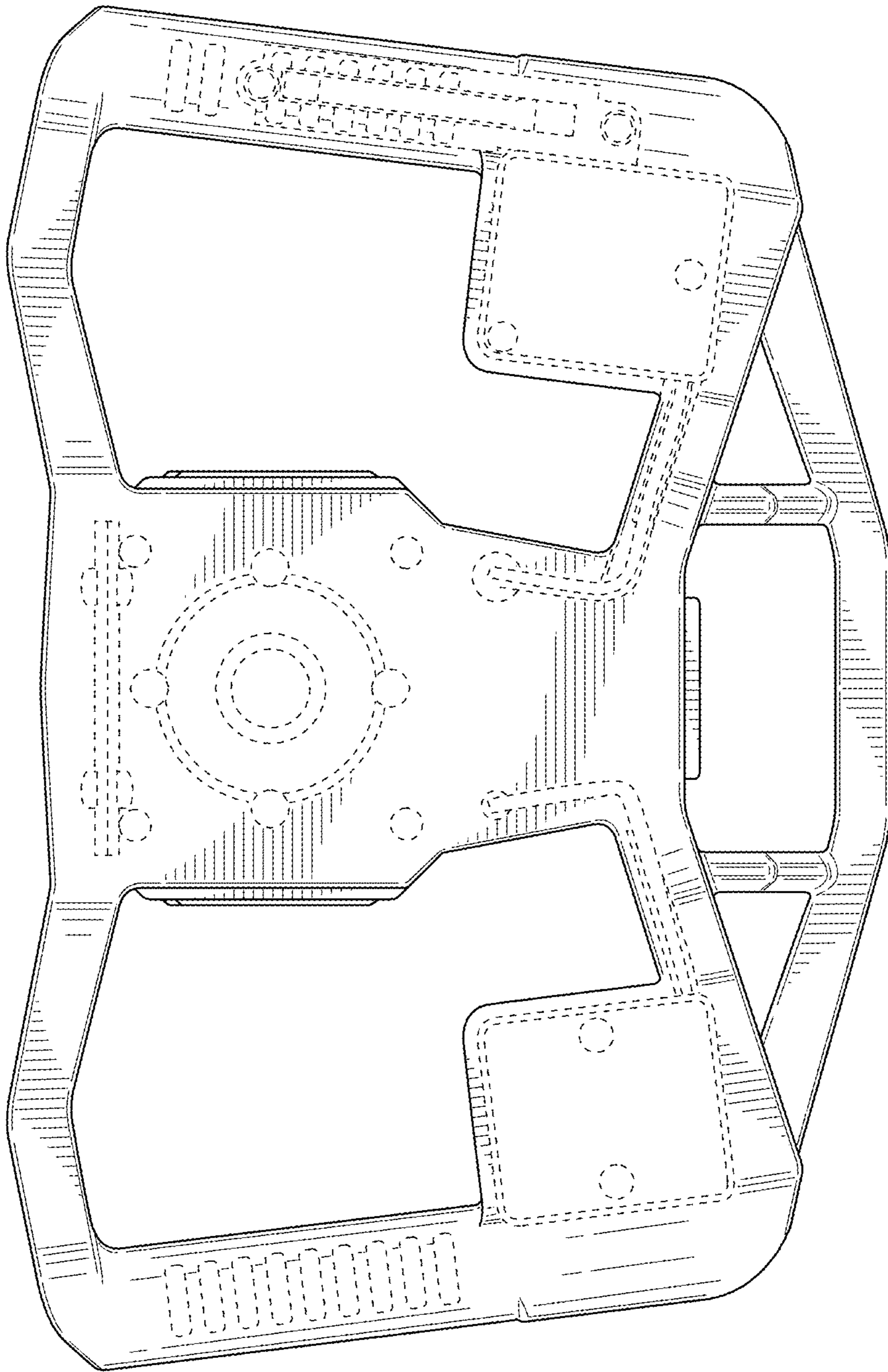


FIG. 7