



US00D936115S

(12) **United States Design Patent**
Yang

(10) **Patent No.:** **US D936,115 S**

(45) **Date of Patent:** **** Nov. 16, 2021**

- (54) **CUP TURNER TUMBLER**
- (71) Applicant: **Shenzhen Kaihui Technology Co., Ltd.**, Shenzhen (CN)
- (72) Inventor: **Xiaoxiang Yang**, Shenzhen (CN)
- (73) Assignee: **Shenzhen Kaihui Technology Co., Ltd.**, Shenzhen (CN)
- (**) Term: **15 Years**
- (21) Appl. No.: **29/765,756**
- (22) Filed: **Jan. 11, 2021**
- (51) **LOC (13) Cl.** **15-09**
- (52) **U.S. Cl.**
USPC **D15/122; D15/140**
- (58) **Field of Classification Search**
USPC D7/693; D8/354; D15/122, 123, 125, D15/130, 135, 138, 140, 145, 146
CPC A47J 37/041; A47J 37/049; A47J 37/0786; A47J 37/0704; A47J 37/0745; A47J 37/04; B27B 31/00; B27B 31/04; B28B 1/00; B28B 1/02
See application file for complete search history.

- 2,632,223 A * 3/1953 Jordan B28B 1/02 425/265
 - 3,040,409 A * 6/1962 Elliott B28B 11/18 269/57
 - 3,621,740 A * 11/1971 Thomas B23Q 1/76 82/117
 - D269,616 S * 7/1983 Crum D15/140
 - D349,293 S * 8/1994 Rhoton D15/130
- (Continued)

OTHER PUBLICATIONS

www.amazon.com/Tumbler-Machine-Rotisserie-Independent-Tumblers/dp/B08NV44ZB2/ref=sr_1_46?dchild=1&keywords=https%3A%2F%2Fwww.shopabunda.com%2Fproducts%2Fcup-turner-tumbler-cuptisserie-kit-noddway-metal-cup-spinner-for-crafts-tumbler-double-tumbler-turner-machine-for-epoxy-glitter-tumblers&qid=tumblers&qid=1632836006&sr=8_46#customerReviews (Year: 2021).*

Primary Examiner — Patricia A Palasik
(74) *Attorney, Agent, or Firm* — Zhihua Han; Wen IP LLC

(57) **CLAIM**

The ornamental design for a cup turner tumbler, as shown and described.

DESCRIPTION

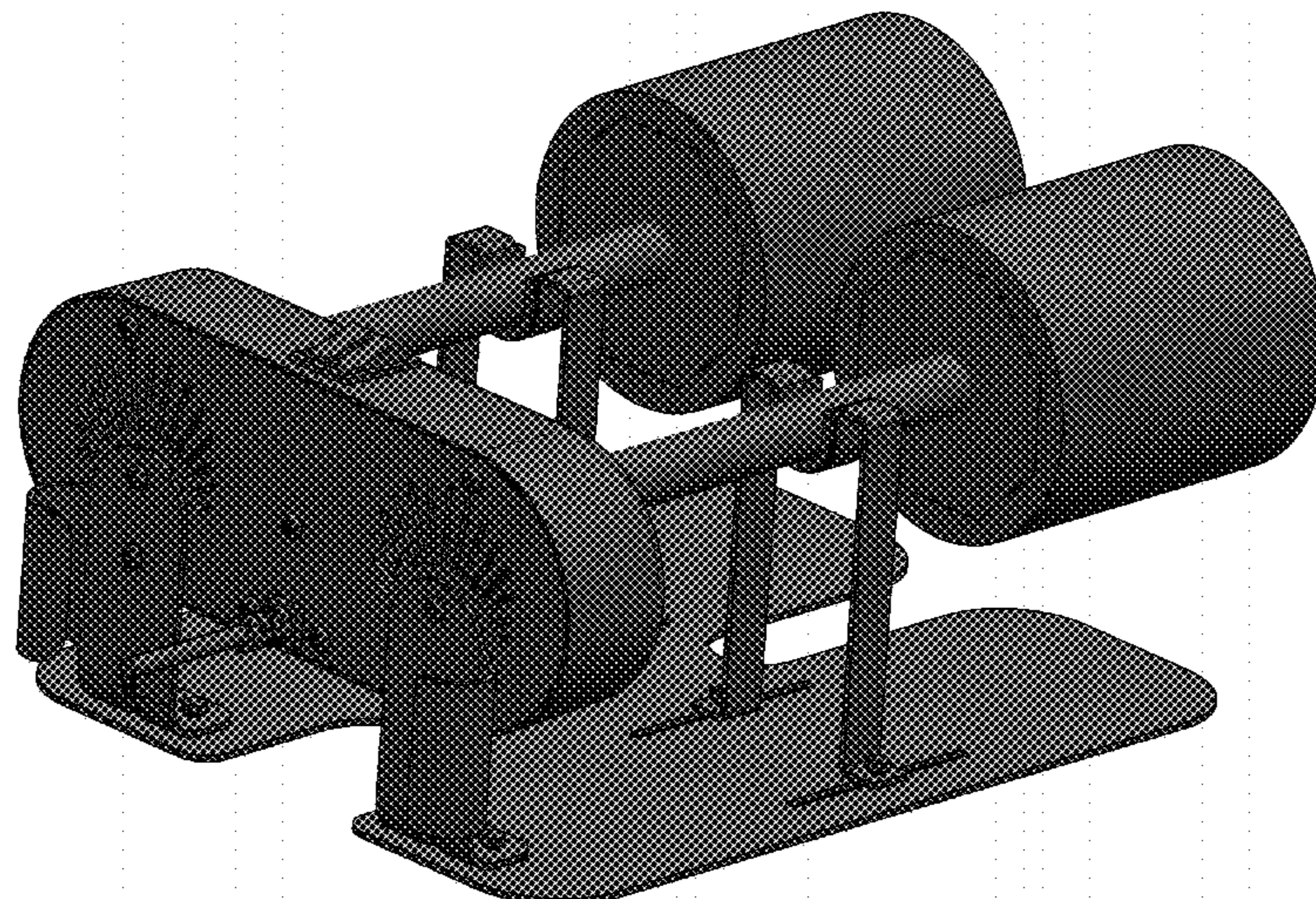
FIG. 1 is a perspective photographic view of a cup turner tumbler, showing my new design;
FIG. 2 is a top plan photographic view thereof;
FIG. 3 is a bottom plan photographic view thereof;
FIG. 4 is a right side elevation photographic view thereof;
FIG. 5 is a left side elevation photographic view thereof;
FIG. 6 is a rear elevation photographic view thereof;
FIG. 7 is a front elevation photographic view thereof;
FIG. 8 is another perspective photographic view thereof;
FIG. 9 is another perspective photographic view thereof;
and,
FIG. 10 is another perspective photographic view thereof.

1 Claim, 10 Drawing Sheets

(56) **References Cited**

U.S. PATENT DOCUMENTS

- 1,338,275 A * 4/1920 Bancroft B27C 7/005 142/5
- 1,453,799 A * 5/1923 La Chapelle A43D 85/00 12/4.6
- 1,483,054 A * 2/1924 Wilson A43D 55/00 12/41.5
- 1,857,366 A * 5/1932 Dow A43D 43/06 12/30
- 1,933,201 A * 10/1933 Yager B23B 7/02 82/125
- 2,016,570 A * 10/1935 Adams B23B 9/08 29/38 A
- 2,121,934 A * 6/1938 Snader B23Q 27/003 82/19
- 2,374,365 A * 4/1945 MacNeill B23Q 15/02 82/137
- 2,376,262 A * 5/1945 Lorant B23Q 5/14 474/72
- D147,300 S * 8/1947 Potter D15/130



(56)

References Cited

U.S. PATENT DOCUMENTS

D401,247 S * 11/1998 Wang D15/130
D425,916 S * 5/2000 Cheng D15/130
6,237,452 B1 * 5/2001 Ludwick B24B 13/0055
82/118
D471,570 S * 3/2003 Wang D15/130
D667,787 S 9/2012 Druker et al.
D721,109 S * 1/2015 Wolfgang D15/143
D786,631 S * 5/2017 Kim D7/693
D796,917 S * 9/2017 Wong D7/693
D904,301 S 12/2020 Smalley et al.
2010/0186602 A1 * 7/2010 Dotan A47J 37/041
99/421 H
2020/0214496 A1 * 7/2020 Moric A47J 37/0759

* cited by examiner

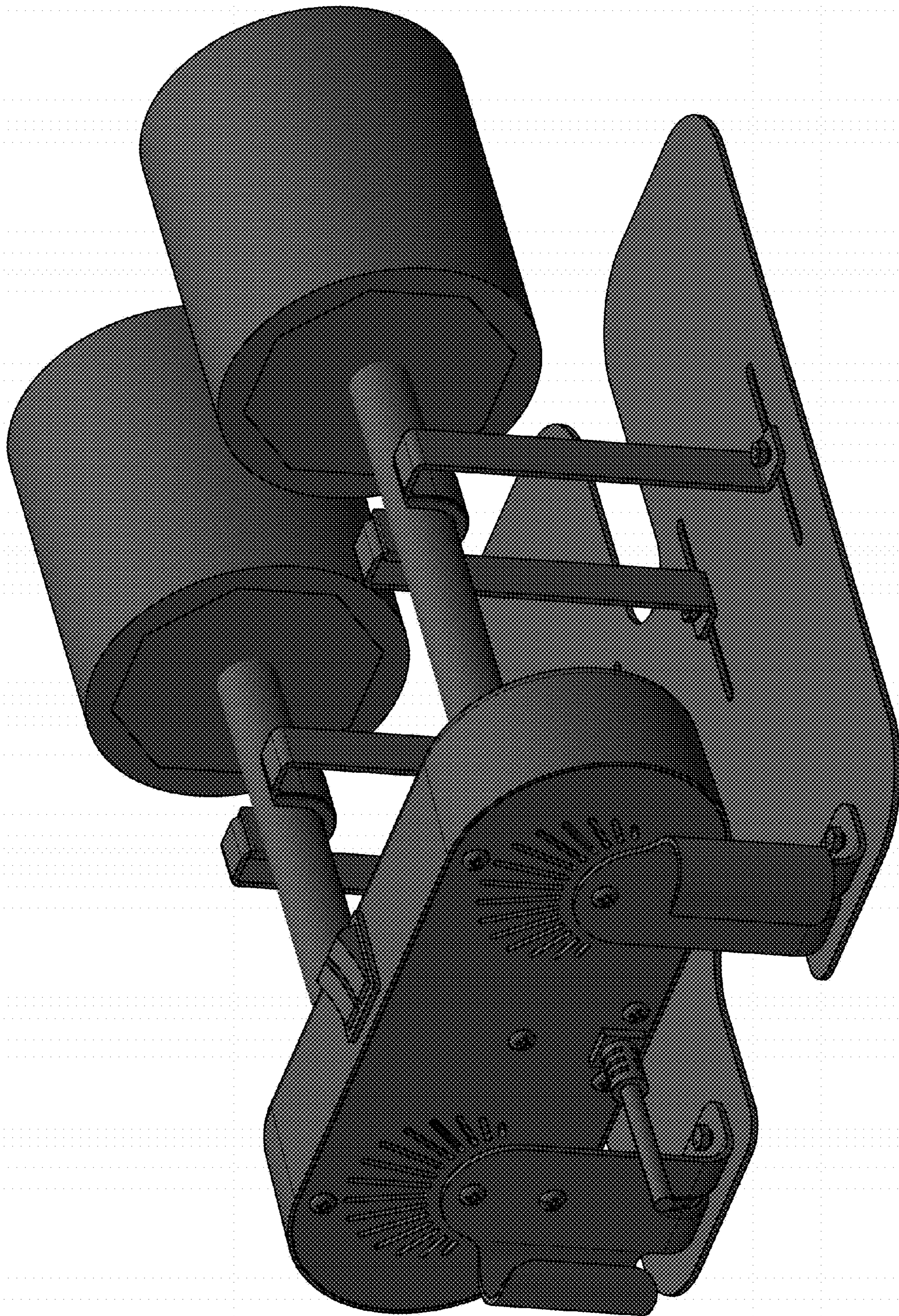


FIG. 1

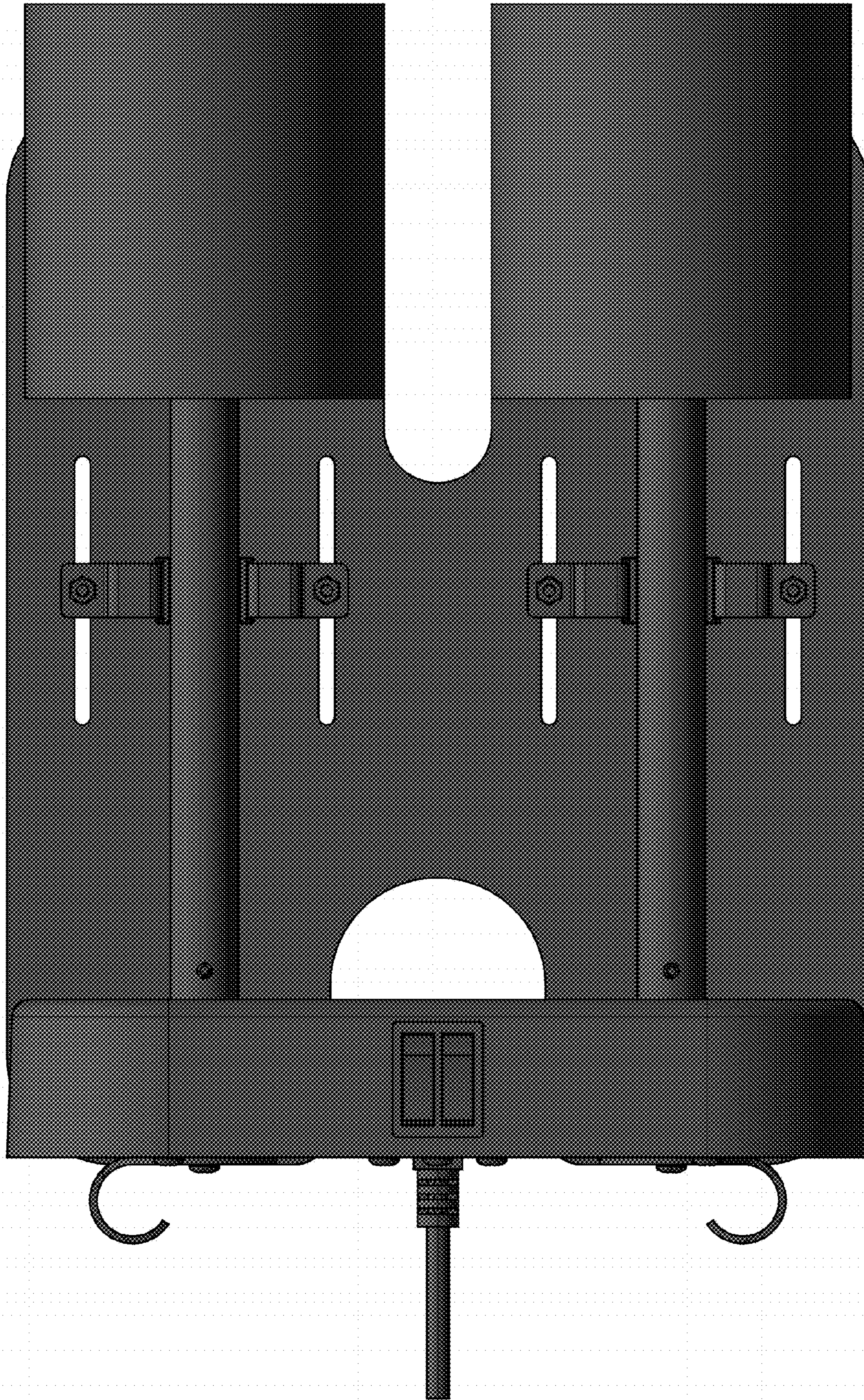


FIG. 2

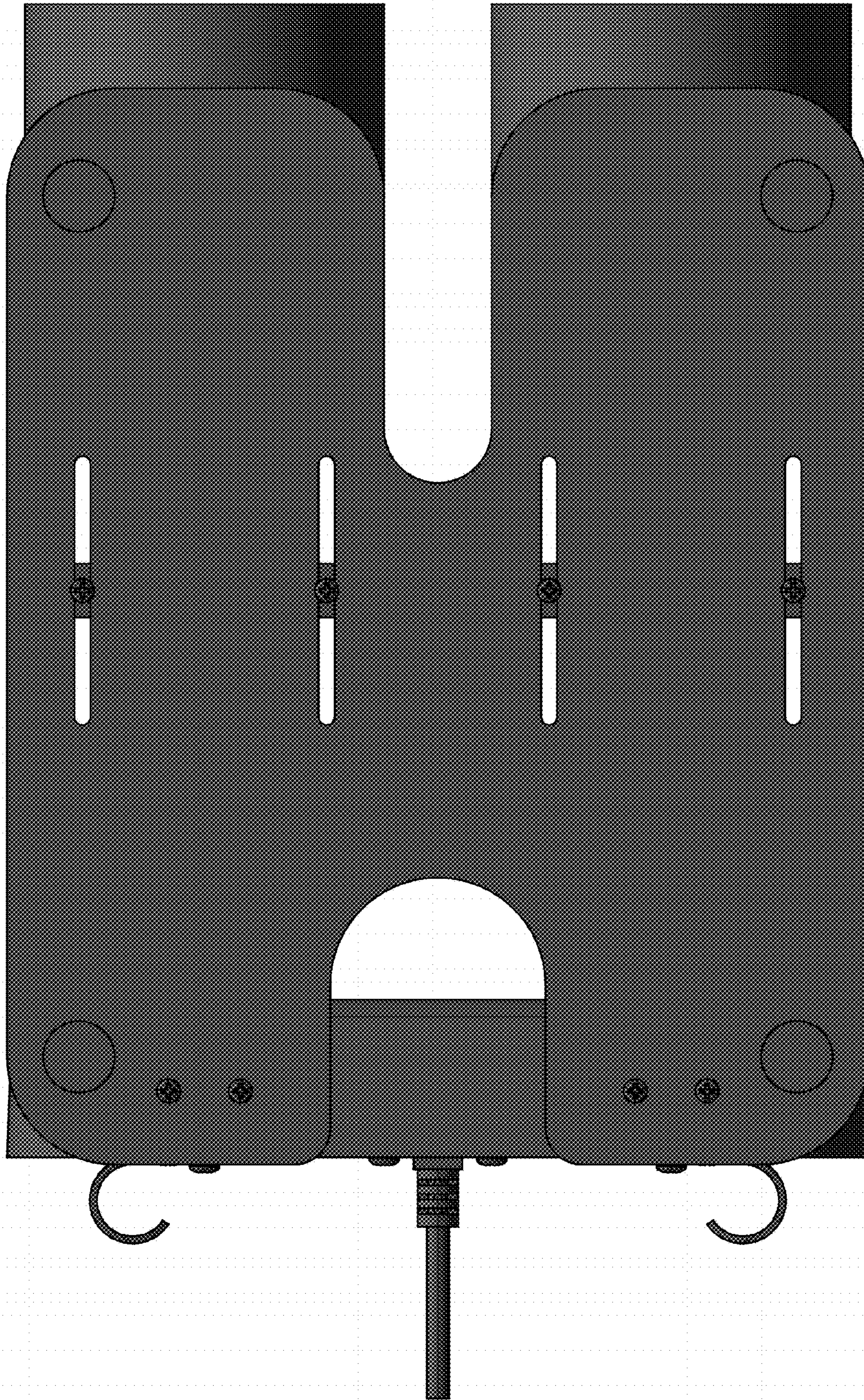


FIG. 3

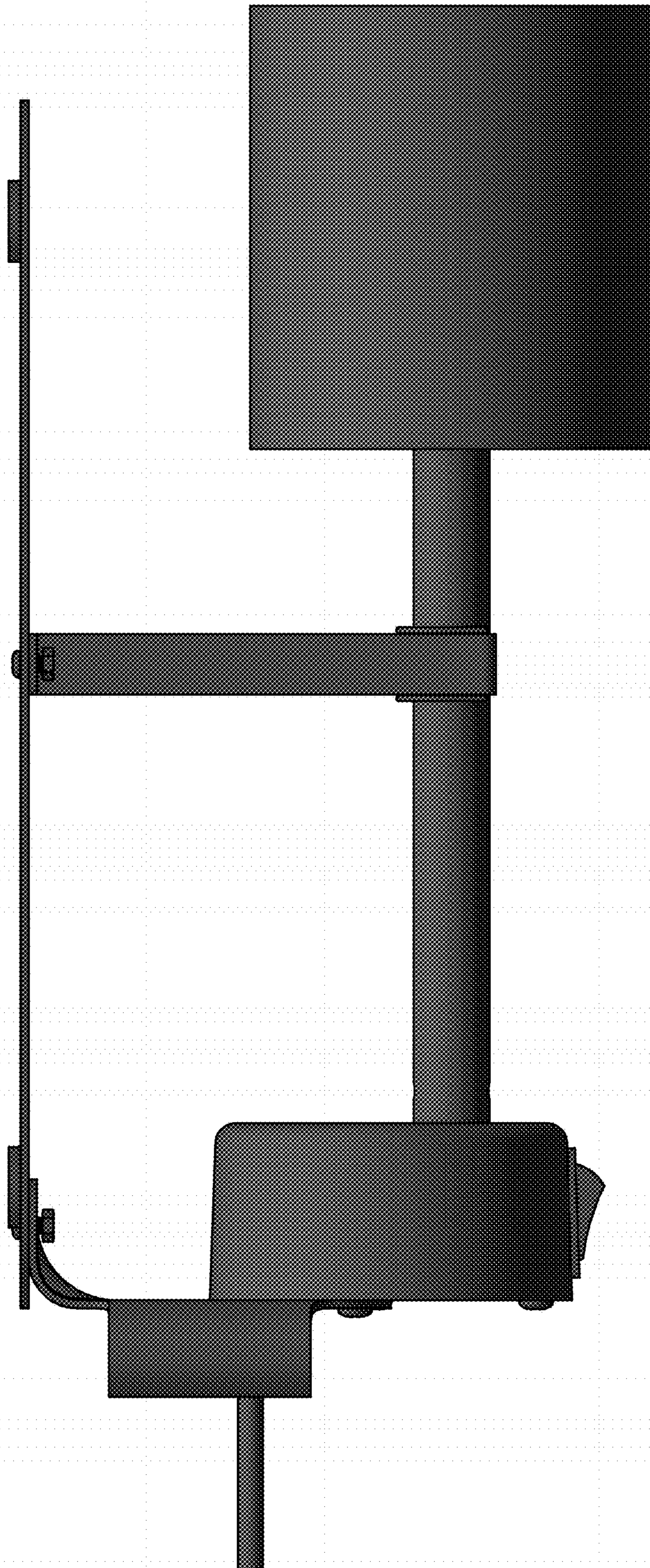


FIG. 4

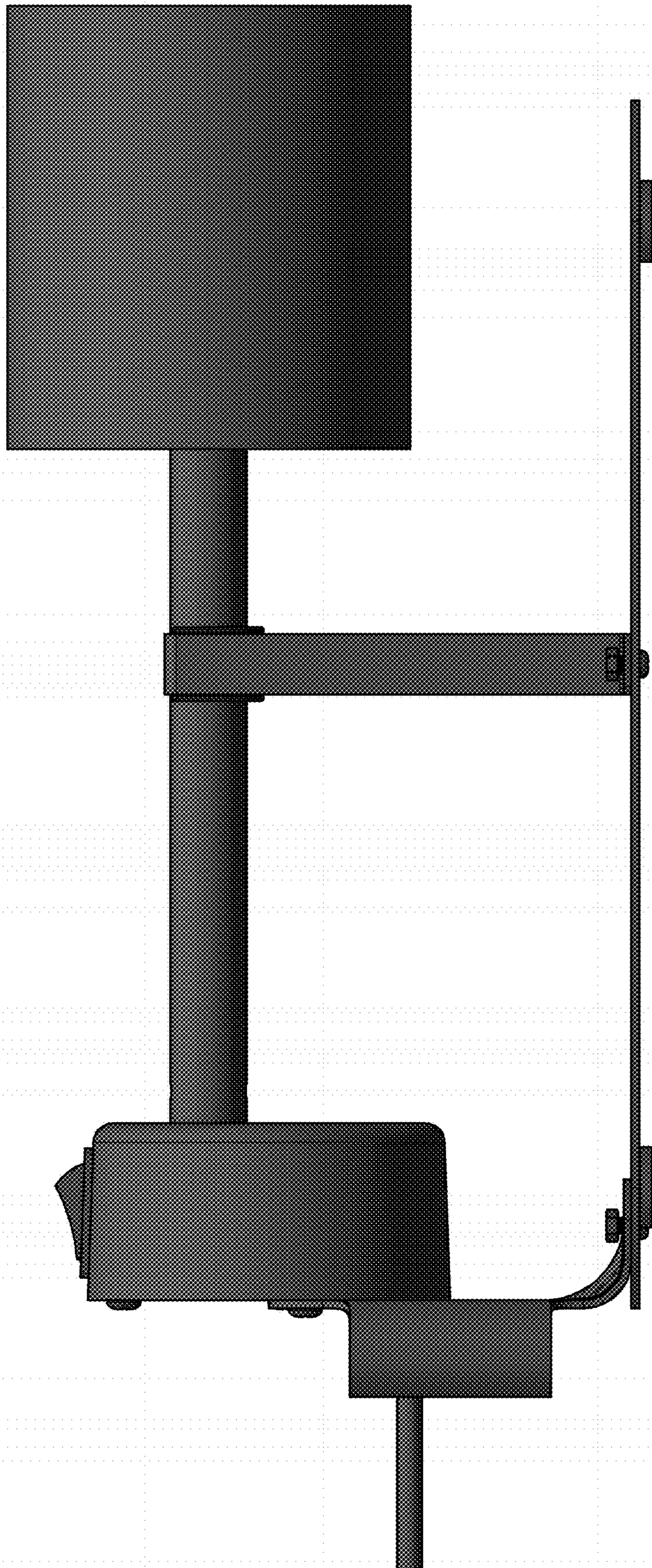


FIG. 5

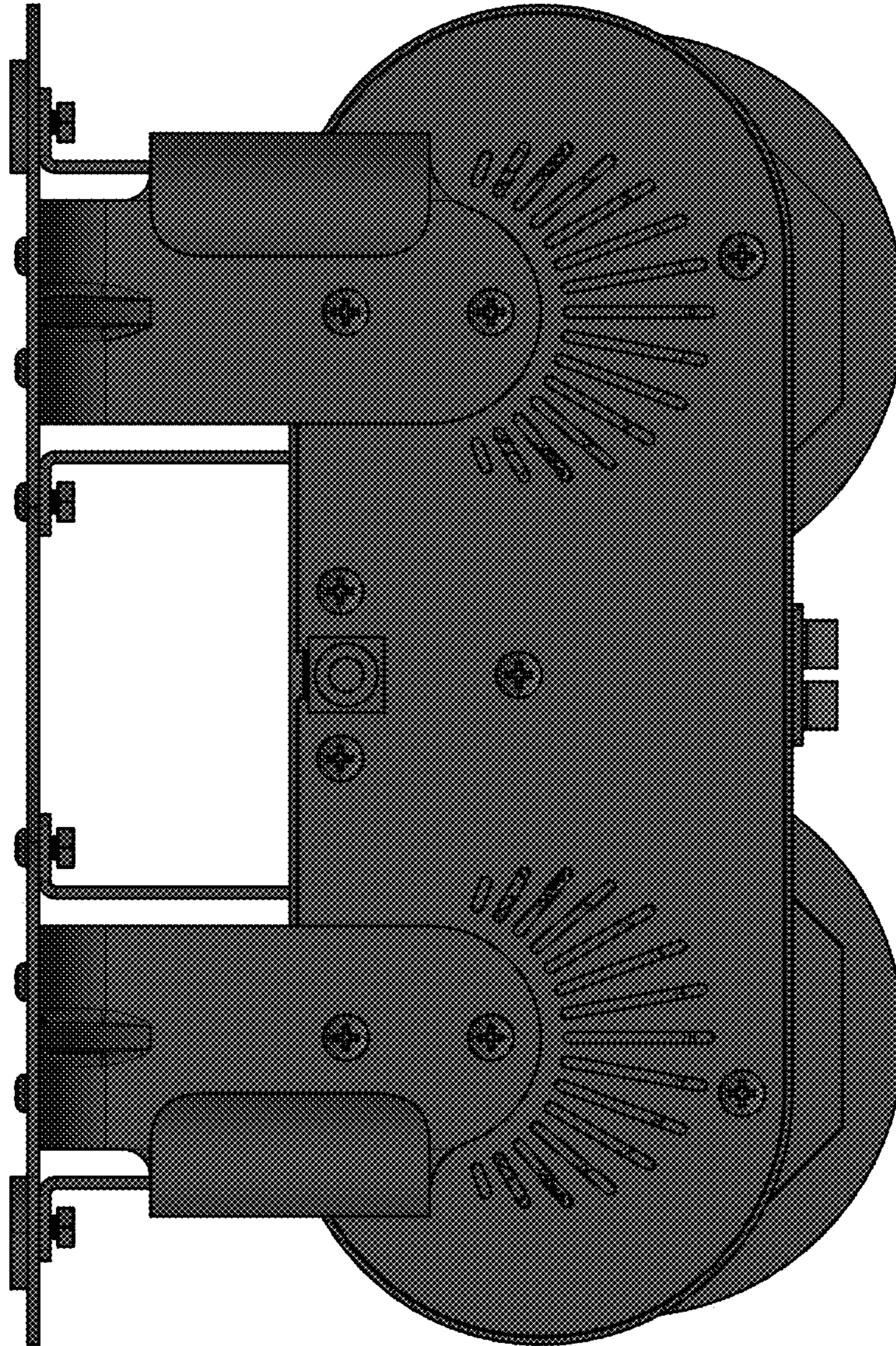


FIG. 6

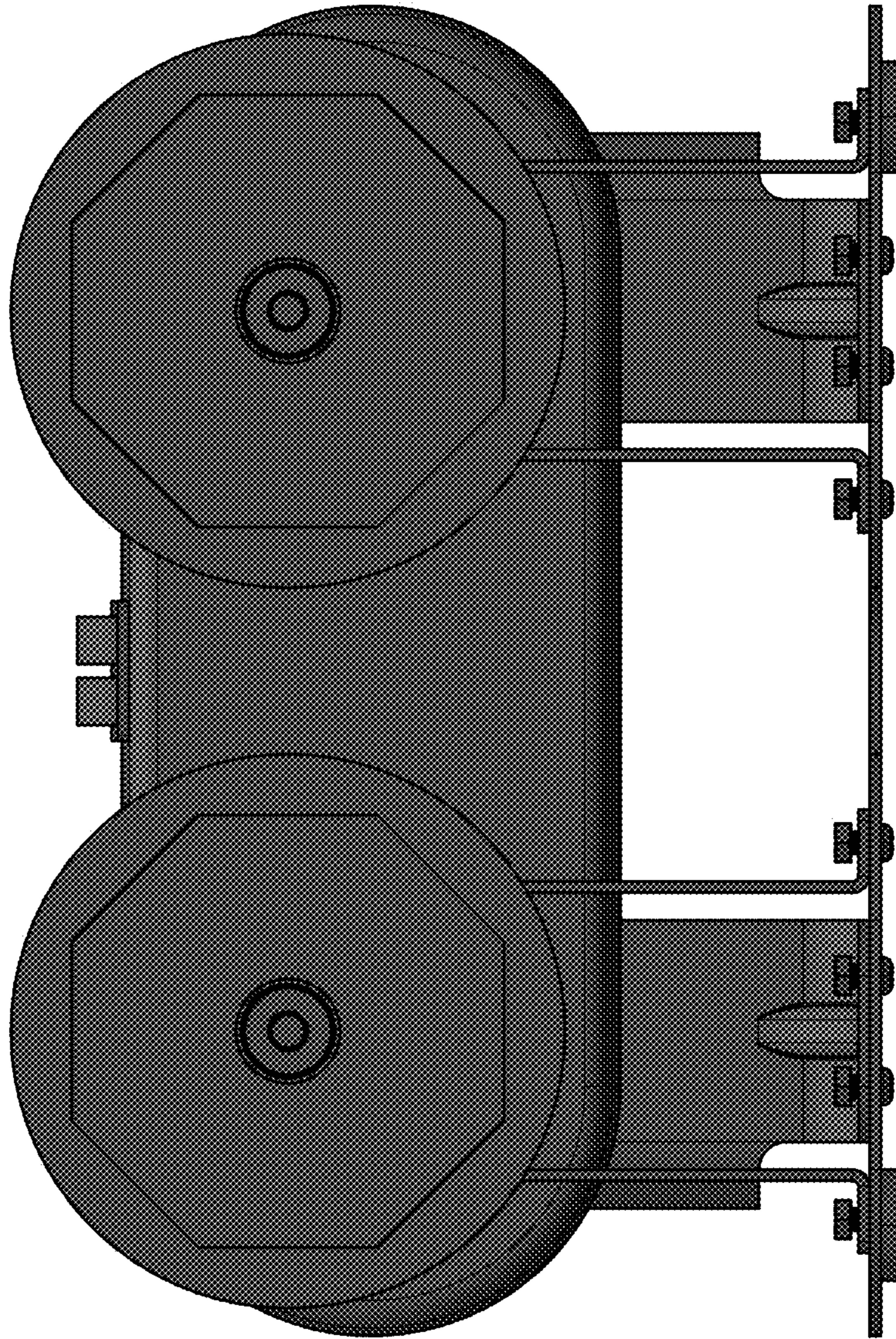


FIG. 7

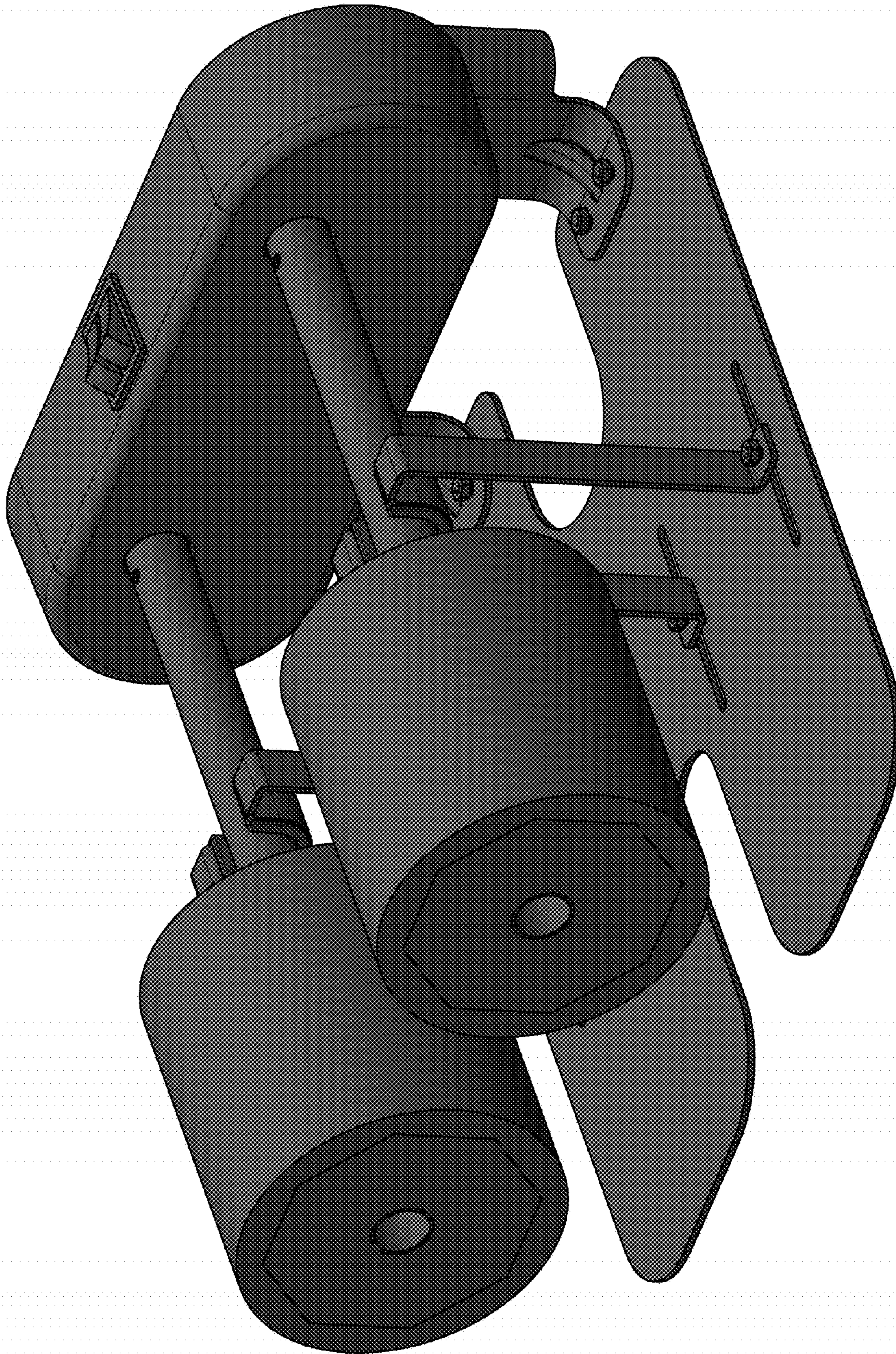


FIG. 8

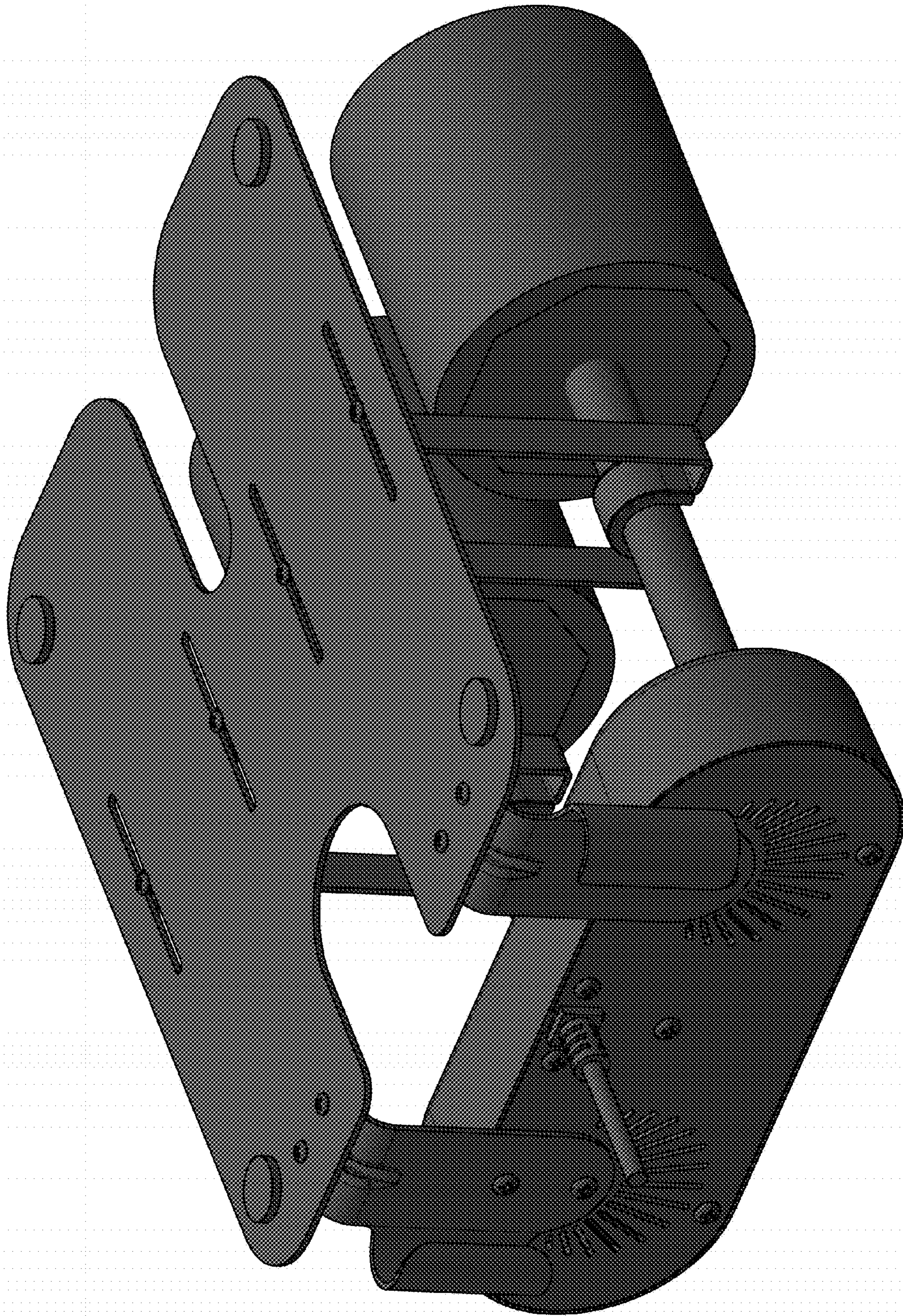


FIG. 9

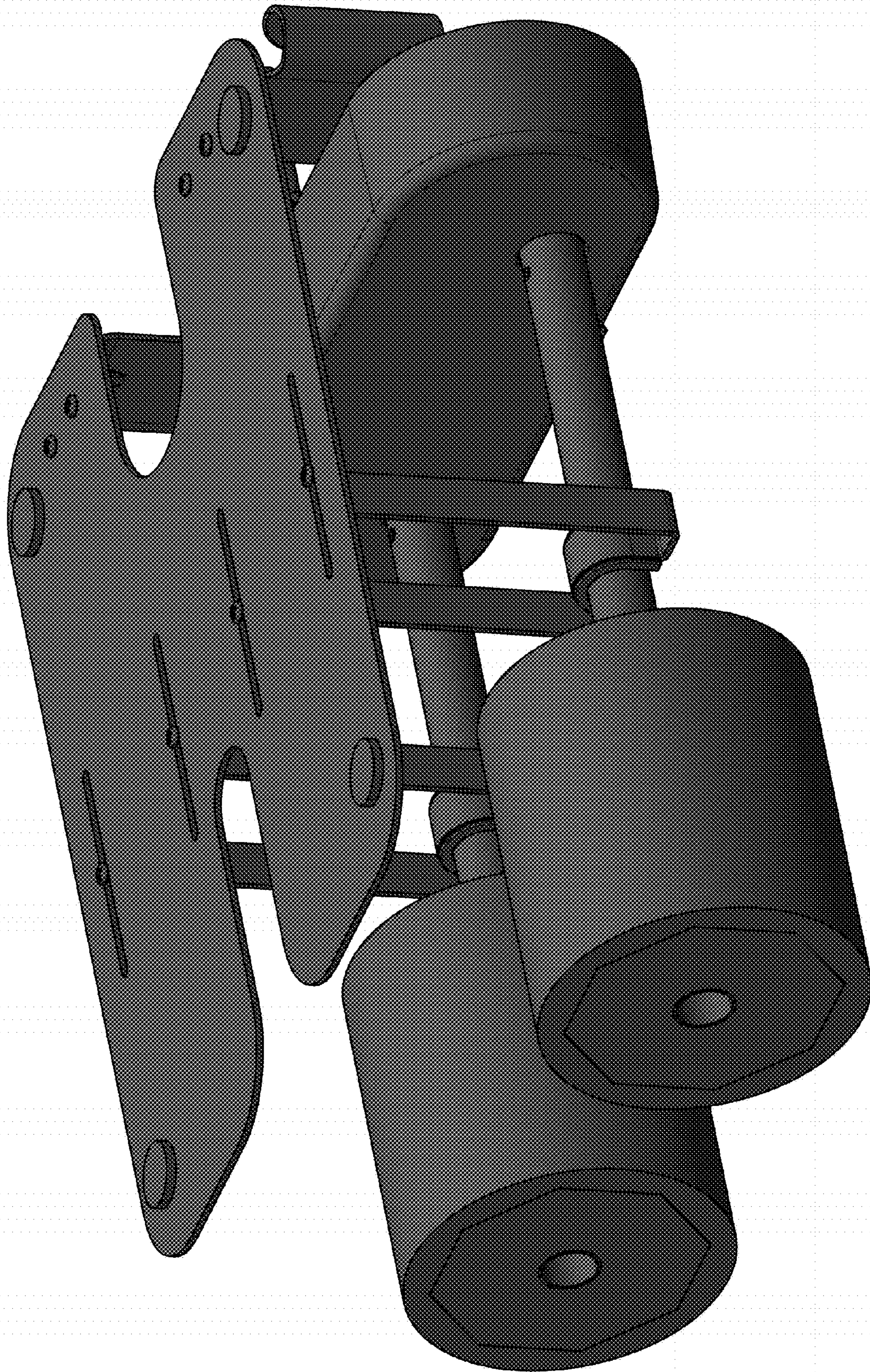


FIG. 10