



US00D936114S

(12) **United States Design Patent** (10) **Patent No.:** **US D936,114 S**
Hagner et al. (45) **Date of Patent:** **** Nov. 16, 2021**

(54) **OPERATOR STATION FOR WORK VEHICLE**

9/0808; E02F 9/0833; E02F 9/2004; E02F 9/207; E02F 9/2091; E02F 9/2246; E02F 9/2292

(71) Applicant: **Deere & Company**, Moline, IL (US)

See application file for complete search history.

(72) Inventors: **Thorsten Hagner**, Ilvesheim (DE);
Benjamin Jordan, Ankeny, IA (US);
Aaron Ritter, Milan, IL (US);
Benjamin J. Mueller, Bettendorf, IA (US);
Michael R. Gratton, Asbury, IA (US);
Sebastian Himpel, Mannheim (DE);
Eric Keen, Manhattan, KS (US);
Michael Thompson, Clayton, IN (US);
Mark DePoorter, Coal Valley, IL (US);
Felix Nagelin, Malibu, CA (US);
Nathan R. Demski, Durango, IA (US);
Dean Arden Boyce, Waterloo, IA (US);
Pradipkumar J. Tanpure, Bettendorf, IA (US)

(56)

References Cited

U.S. PATENT DOCUMENTS

D288,206 S	2/1987	Moscovitch
D297,142 S	8/1988	Funabashi et al.
D348,678 S	7/1994	Budde
D353,704 S	12/1994	Bhambra
D398,616 S	9/1998	Kwak et al.
D416,266 S	11/1999	Del Torchio
D424,580 S	5/2000	Moehle et al.
D430,579 S	9/2000	Westendorf et al.
D476,100 S	6/2003	Lin
D522,425 S	6/2006	Beigel et al.
D528,134 S	9/2006	Vandendriessche et al.
D531,646 S	11/2006	McCarren, Jr. et al.
D531,647 S	11/2006	Stender et al.
D533,569 S	12/2006	Mursch
D541,825 S	5/2007	Pettersson
D541,826 S	5/2007	Brush et al.
D558,799 S	1/2008	Higashikawa
D561,205 S	2/2008	Pettersson
D568,905 S	5/2008	Heusinger et al.
D570,378 S	6/2008	Heusinger et al.
D570,382 S	6/2008	Higashikawa
D571,378 S	6/2008	Bernard et al.
D574,022 S	7/2008	Higashikawa
D579,028 S	10/2008	VanDeVeer et al.
D600,376 S	9/2009	Sugiura
D601,730 S	10/2009	Richards et al.
D603,881 S	11/2009	Tamplain, III et al.
D605,207 S	12/2009	Menges et al.
D613,224 S	4/2010	Beigel et al.
D614,205 S	4/2010	Kuwae et al.
D625,741 S	10/2010	Seidel et al.
D628,599 S	12/2010	Major
D629,017 S	12/2010	Major
D632,704 S	2/2011	Seidel et al.
D636,000 S	4/2011	Kim et al.
D650,816 S	12/2011	Koponen et al.
D659,722 S	5/2012	Blind et al.
D660,753 S	5/2012	Faghihzadeh
D660,879 S	5/2012	Laugurette
D660,881 S	5/2012	Bohme et al.
D667,851 S	9/2012	Warr
D668,693 S	10/2012	Ringer
D670,744 S	11/2012	Ewringmann
D670,745 S	11/2012	Warr

(73) Assignee: **DEERE & COMPANY**, Moline, IL (US)

(**) Term: **15 Years**

(21) Appl. No.: **29/759,479**

(22) Filed: **Nov. 23, 2020**

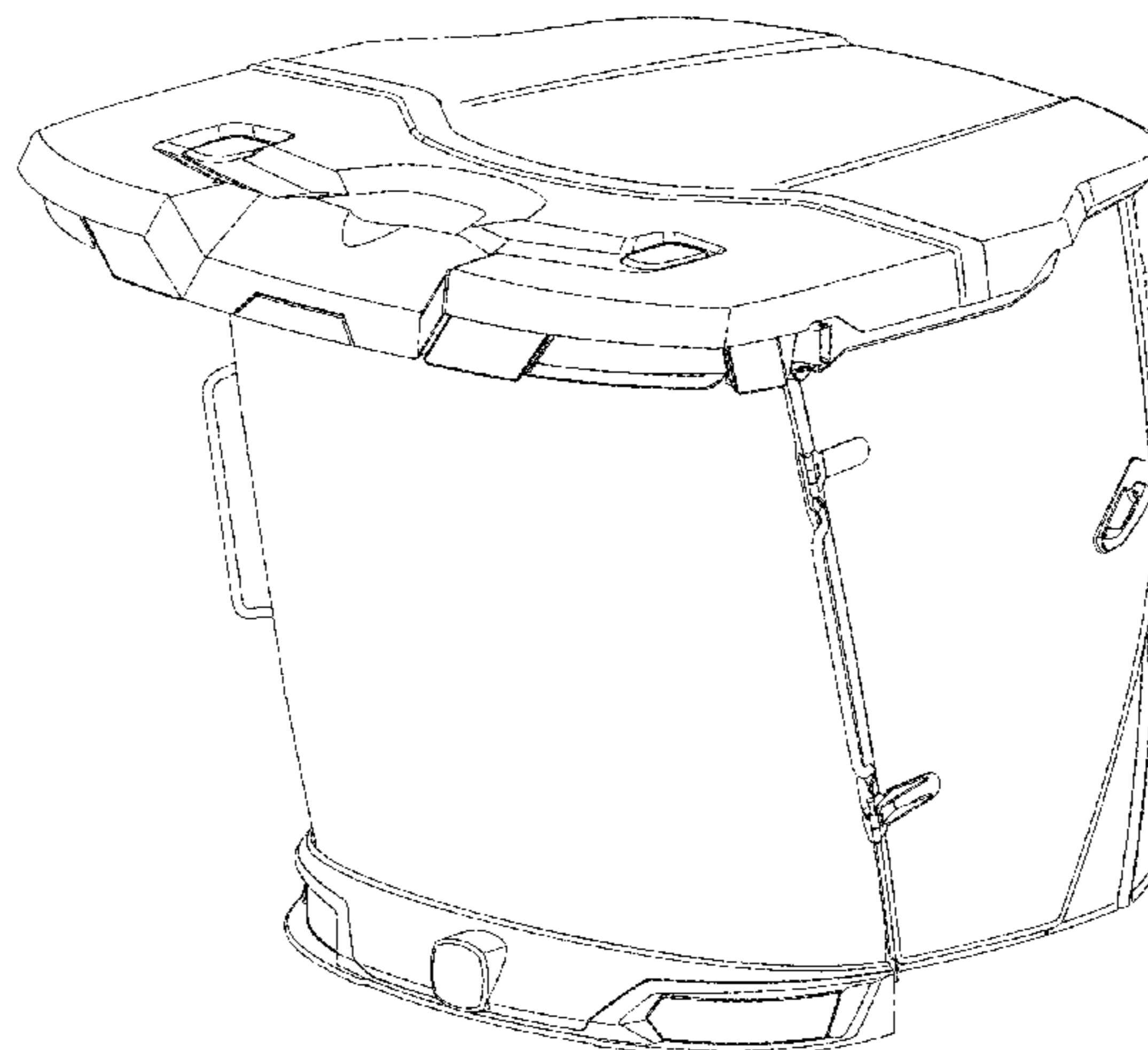
Related U.S. Application Data

(62) Division of application No. 29/647,298, filed on May 11, 2018, now Pat. No. Des. 915,473.

(51) **LOC (13) Cl.** **15-03**

(52) **U.S. Cl.**
USPC **D15/30**

(58) **Field of Classification Search**
USPC D15/10, 22-26, 28, 30; 180/89.1, 89.12, 180/89.13, 900, 9.1, 9.2, 9.62; 37/379; 414/694, 699, 722-724, 660, 685, 698, 414/719, 743
CPC E02F 3/32; E02F 3/76; E02F 3/40; E02F 3/325; E02F 3/352; E02F 3/384; E02F 3/425; E02F 3/437; E02F 3/627; E02F 3/964; E02F 9/163; E02F 9/0858; E02F 9/0875; E02F 9/2045; E02F 9/006; E02F



D671,566 S	11/2012	Fang et al.	DEUTZ-FAHR, Deutz Agrolux 310-320-410—Tractors Open field, retrieved from internet < http://www.deutz-fahr.com/en-US/products/tractors/864-agrolux-310-320-410 > May 19, 2015, 4 pages.
D674,410 S	1/2013	Blind et al.	AGCO, Fendt 200Vario, publicly available before May 2015, 17 pages.
D674,820 S	1/2013	Budde	John Deere Pedal Tractor Decals Tractors, retrieved from internet < http://todayview.co/ideas/ > Jun. 26, 2019, 3 pages.
D674,821 S	1/2013	Budde	Mahindra JIVO 245, retrieved from internet < https://tractorsinfo.com/mahindra-jivo-245-di-4wd-mini-tractor-price-list/ > Jun. 26, 2019, 9 pages.
D676,463 S	2/2013	Ewringmann et al.	Mahindra Tractor JIVO 245 DI, retrieved from internet < https://www.tractorjunction.com/product/370/mahindra-tractor-vo-245-di > Jun. 26, 2019, 5 pages.
D687,868 S	8/2013	Watson et al.	SOLIS 75N Traktor Schlepper Kein New Holland, retrieved from internet < https://www.mascus.com/agriculture/used-tractors/solis-75n-traktor-schlepper-kein-new-h > Jun. 26, 2019, 3 pages.
D713,075 S	9/2014	Lee	Tractor Decals, retrieved from internet < https://www.indiamart.com/proddetail/tractor-decals-10179545988.html >, Jun. 29, 2019, 4 pages.
D720,370 S	12/2014	Carter et al.	Mahindra targets 50% share in domestic tractor market with Trakstar brand, retrieved from internet < https://www.moneycontrol.com/news/technology/auto/mahindra-targets-50-share-in-domestic-tractor-market-with-trakstar-brand-2645381.html > Jun. 27, 2019, 6 pages.
D721,742 S	1/2015	Lee et al.	Hagner et al., Operator Station for Work Vehicle, unpublished design U.S. Appl. No. 29/647,298, filed May 11, 2018, 101 pages.
D721,994 S	2/2015	Graber et al.	Big 4, available at least as early as May 2015, 1 page.
D722,187 S	2/2015	Gerardo	Cub Cadet, available at least as early as May 2015, 1 page.
D728,631 S	5/2015	Richard et al.	Massey Ferguson, available at least as early as May 2015, 1 page.
D733,945 S	7/2015	Kennemer et al.	International Harvester, available at least as early as May 2015, 1 page.
D734,781 S	7/2015	Schnering et al.	Deutz-Fahr (7250 TTV Warrior), available at least as early as May 2015, 4 pages.
D736,270 S	8/2015	Jackson et al.	Deere & Co., Deere 8R-8RT Series, 2015, 6 pages.
D745,717 S	12/2015	Wu	AGCO, Fendt 900 Series, 2012, 28 pages.
D749,148 S	2/2016	Darekar et al.	CASE Magnum 180-380 Brochure, 2014, 28 pages.
D749,149 S	2/2016	McAdam et al.	AGCO, Fendt 300Vario, available at least as early as May 2015, 23 pages.
D751,611 S	3/2016	Smith et al.	AGCO, Fendt 500Vario, available at least as early as May 2015, 25 pages.
D753,195 S	4/2016	Jackson et al.	AGCO, Fendt 700 series brochure, 2012, 32 pages.
D757,826 S	5/2016	Hartz et al.	AGCO, Fendt 800 Vario, 2014, 4 pages.
D759,129 S	6/2016	Kushita et al.	AGCO, Fendt X Concept Tractors, retrieved from < http://www.fendt.com/us/2466.asp > May 18, 2015, 3 pages.
D760,815 S	7/2016	Okuyama et al.	CASE Puma Series Brochure, 2011, 28 pages.
D774,111 S	12/2016	Underhill et al.	Deutz-Fahr 6 Series, available at least as early as May 2015, 32 pages.
D775,244 S	12/2016	Hart et al.	Deere Flared Fenders, available at least as early as May 2015, 1 page.
D777,805 S	1/2017	Steinhardt et al.	Deere Reverse Decal, available at least as early as May 2015, 1 page.
D780,231 S	2/2017	Saari et al.	Agritechnica 2017—Gold and Silver, https://www.agritechnica.com/en/innovation-award/gold-and-silver/ , accessed Feb. 5, 2017, 18 pages.
D780,232 S	2/2017	Saari et al.	
D780,233 S	2/2017	Saari et al.	
D780,235 S	2/2017	Kim	
D784,425 S	4/2017	Cooksey et al.	
D784,887 S	4/2017	Woolley	
D786,945 S	5/2017	Smith et al.	
D799,728 S	10/2017	Whitla et al.	
D837,837 S	1/2019	Park	
D843,421 S	3/2019	Gonzales et al.	
D843,621 S	3/2019	Yang	
D851,794 S	6/2019	Lin	
D854,056 S	7/2019	Futagami et al.	
D866,824 S	11/2019	Lin	
D871,462 S	12/2019	Svitek et al.	
D874,033 S	1/2020	Park Cheng et al.	
D874,524 S	2/2020	Iwata et al.	
D877,209 S	3/2020	Winkel et al.	
D883,535 S	5/2020	He	
D887,041 S	6/2020	Lin	
D890,382 S	7/2020	Wu	
D892,369 S	8/2020	Lin	
D893,066 S	8/2020	Lin	
D895,730 S	9/2020	Nagelin et al.	
D902,815 S	11/2020	Wheel	

OTHER PUBLICATIONS

50 HP Blue Sonalika DI 47 Rx Tractor, retrieved from Internet <<https://www.indiamart.com/proddetail/sonalika-di-47-rx-tractor-19114279955.html>> Jun. 26, 2019, 5 pages.

CASE Farmall A Series Tractors Brochure, 2011, 7 pages.

CASE Farmall C Tractors Brochure, 2013, 16 pages.

Case Farmall U Tractors Brochure Nov. 13, 2013, 12 pages.

Case Maxxum Series Tractors Brochure, 2012, 24 pages.

Case Steiger Tractor Brochure, 2014, 32 pages.

Challenger MT 465 B Tractor Decals, retrieved from Internet <<https://equipment-decals.myshopify.com/products/challenger-mt-465-b-tractor-decals>> Jun. 26, 2019, 5 pages.

Deutz 5 series brochure, publicly available before May 2015, 24 pages.

Deutz 308 8514 34-1 Series 7 Agroton, publicly available before May 2015, 28 pages.

DEUTZ-FAHR, Deutz Agroclimber F-V—Tractors Crawlers, retrieved from internet <<http://www.deutz-fahr.com/en-US/products/tractors/722-agroclimber-f-v>> May 19, 2015, 5 pages.

Deutz Agrofarm-g brochure, publicly available before May 2015, 11 pages.

DEUTZ-FAHR, Deutz Agrolux 65-75—Tractors Open field, retrieved from internet <<http://www.deutz-fahr.com/en-US/products/tractors/835-agrolux-65-75>> May 19, 2015, 4 pages.

Primary Examiner — Mark A Goodwin
(74) *Attorney, Agent, or Firm* — Klintworth & Rozenblat IP LLP

(57) CLAIM

The ornamental design for an operator station for work vehicle, as shown and described.

DESCRIPTION

FIG. 1 is a front, first side perspective view of an operator station for work vehicle according to one embodiment of our new design;
FIG. 2 is a front elevation view thereof;
FIG. 3 is a rear elevation view thereof;
FIG. 4 is a first side elevation view thereof;
FIG. 5 is a second elevation view thereof;

FIG. 6 is a top plan view thereof;
FIG. 7 is a front, first side perspective view of an operator station for work vehicle as in the FIG. 1 embodiment, shown with surface shading;
FIG. 8 is a front elevation view thereof;
FIG. 9 is a rear elevation view thereof;
FIG. 10 is a first side elevation view thereof;
FIG. 11 is a second elevation view thereof;
FIG. 12 is a top plan view thereof;
FIG. 13 is a front, first side perspective view of an operator station for work vehicle as in the embodiment of FIG. 1, shown without surface shading and with example work vehicle environment in dashed line;
FIG. 14 is a front elevation view thereof;
FIG. 15 is a rear elevation view thereof;
FIG. 16 is a first side elevation view thereof;
FIG. 17 is a second elevation view thereof;
FIG. 18 is a top plan view thereof;
FIG. 19 is a front, first side perspective view of an operator station for work vehicle as in the embodiment of FIG. 1, shown with surface shading and example work vehicle environment in dashed line;
FIG. 20 is a front elevation view thereof;
FIG. 21 is a rear elevation view thereof;
FIG. 22 is a first side elevation view thereof;
FIG. 23 is a second elevation view thereof;
FIG. 24 is a top plan view thereof;
FIG. 25 is a front, first side perspective view of an operator station for work vehicle according to another embodiment of our new design;
FIG. 26 is a front elevation view thereof;
FIG. 27 is a rear elevation view thereof;

FIG. 28 is a first side elevation view thereof;
FIG. 29 is a second elevation view thereof;
FIG. 30 is a top plan view thereof;
FIG. 31 is a front, first side perspective view of an operator station for work vehicle as in the FIG. 25 embodiment, shown with surface shading;
FIG. 32 is a front elevation view thereof;
FIG. 33 is a rear elevation view thereof;
FIG. 34 is a first side elevation view thereof;
FIG. 35 is a second elevation view thereof;
FIG. 36 is a top plan view thereof;
FIG. 37 is a front, first side perspective view of an operator station for work vehicle as in the embodiment of FIG. 25, shown without surface shading and with example work vehicle environment in dashed line;
FIG. 38 is a front elevation view thereof;
FIG. 39 is a rear elevation view thereof;
FIG. 40 is a first side elevation view thereof;
FIG. 41 is a second elevation view thereof;
FIG. 42 is a top plan view thereof;
FIG. 43 is a front, first side perspective view of an operator station for work vehicle as in the embodiment of FIG. 25, shown with surface shading and example work vehicle environment in dashed line;
FIG. 44 is a front elevation view thereof;
FIG. 45 is a rear elevation view thereof;
FIG. 46 is a first side elevation view thereof;
FIG. 47 is a second elevation view thereof; and,
FIG. 48 is a top plan view thereof.
The broken lines illustrate environmental structure that forms no part of the claimed design.

1 Claim, 48 Drawing Sheets

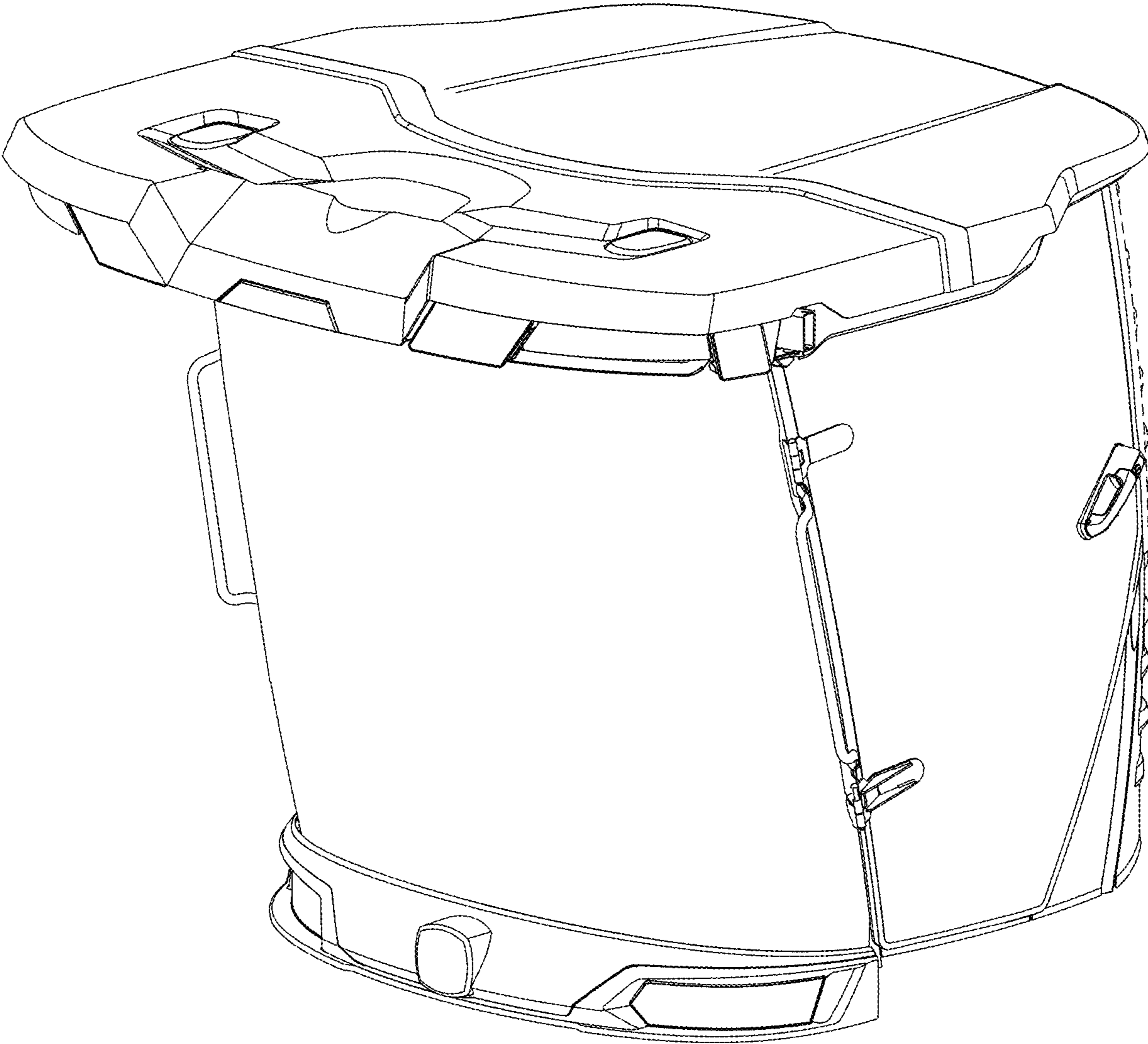


FIG. 1

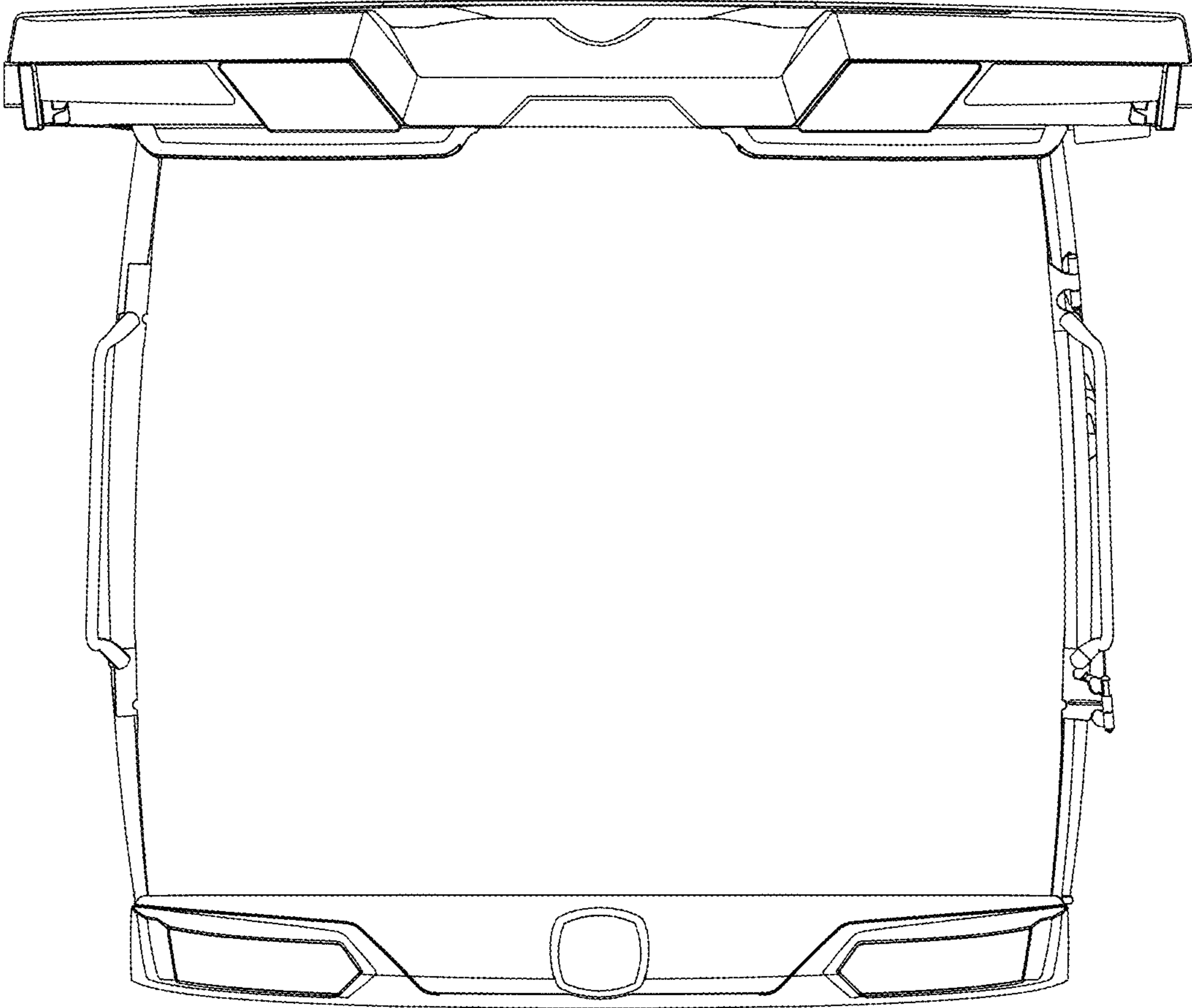


FIG. 2

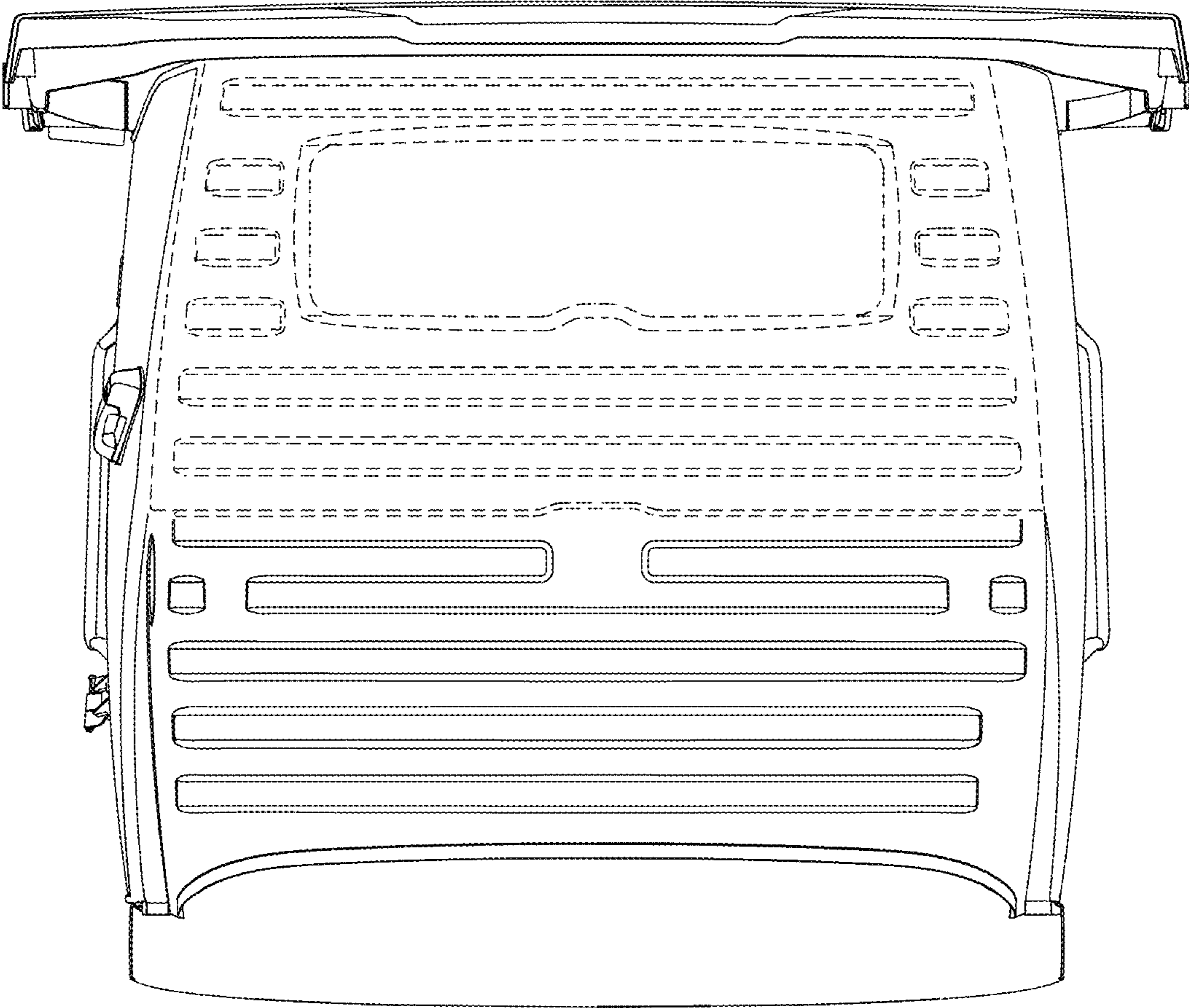


FIG. 3

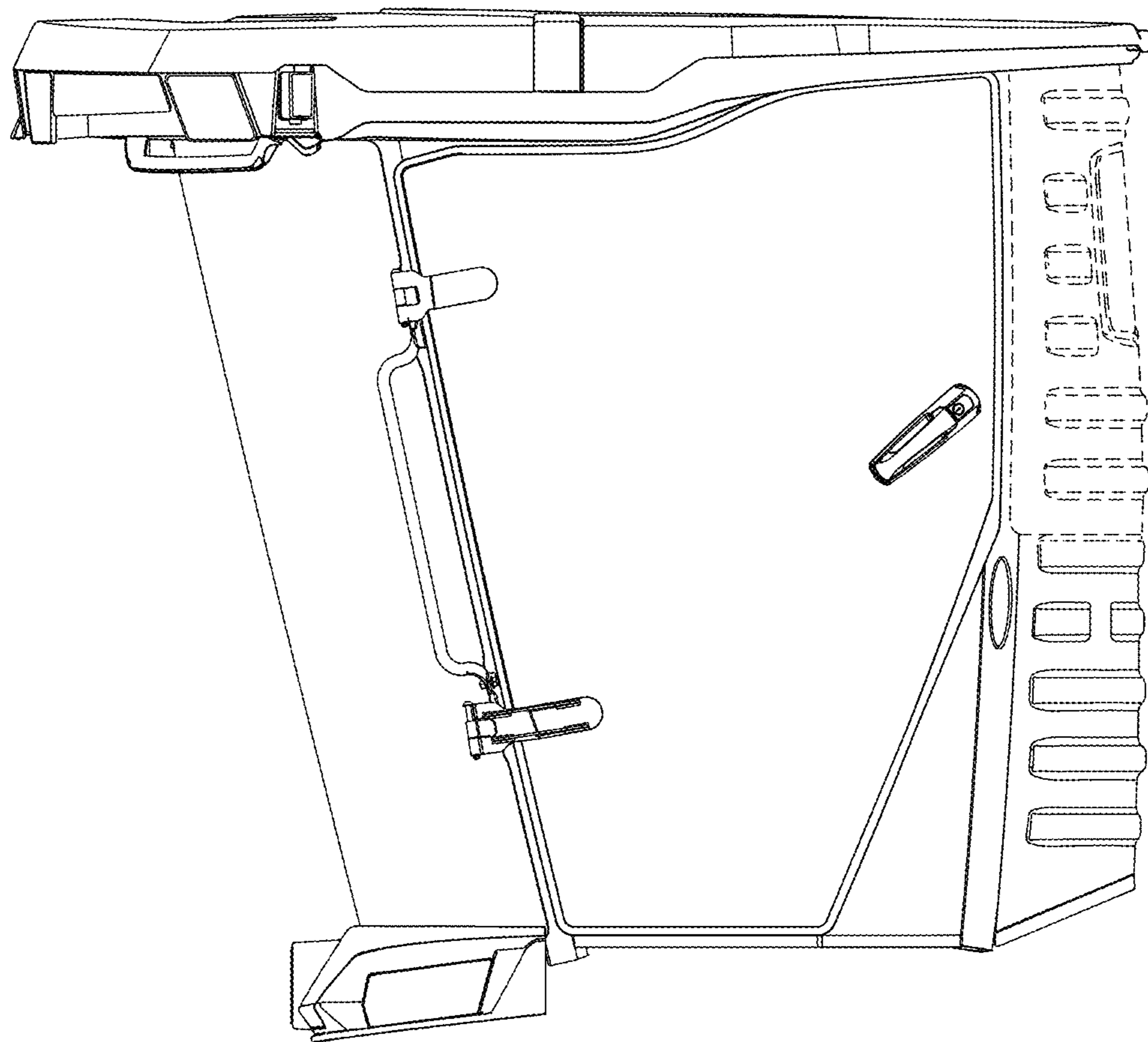


FIG. 4

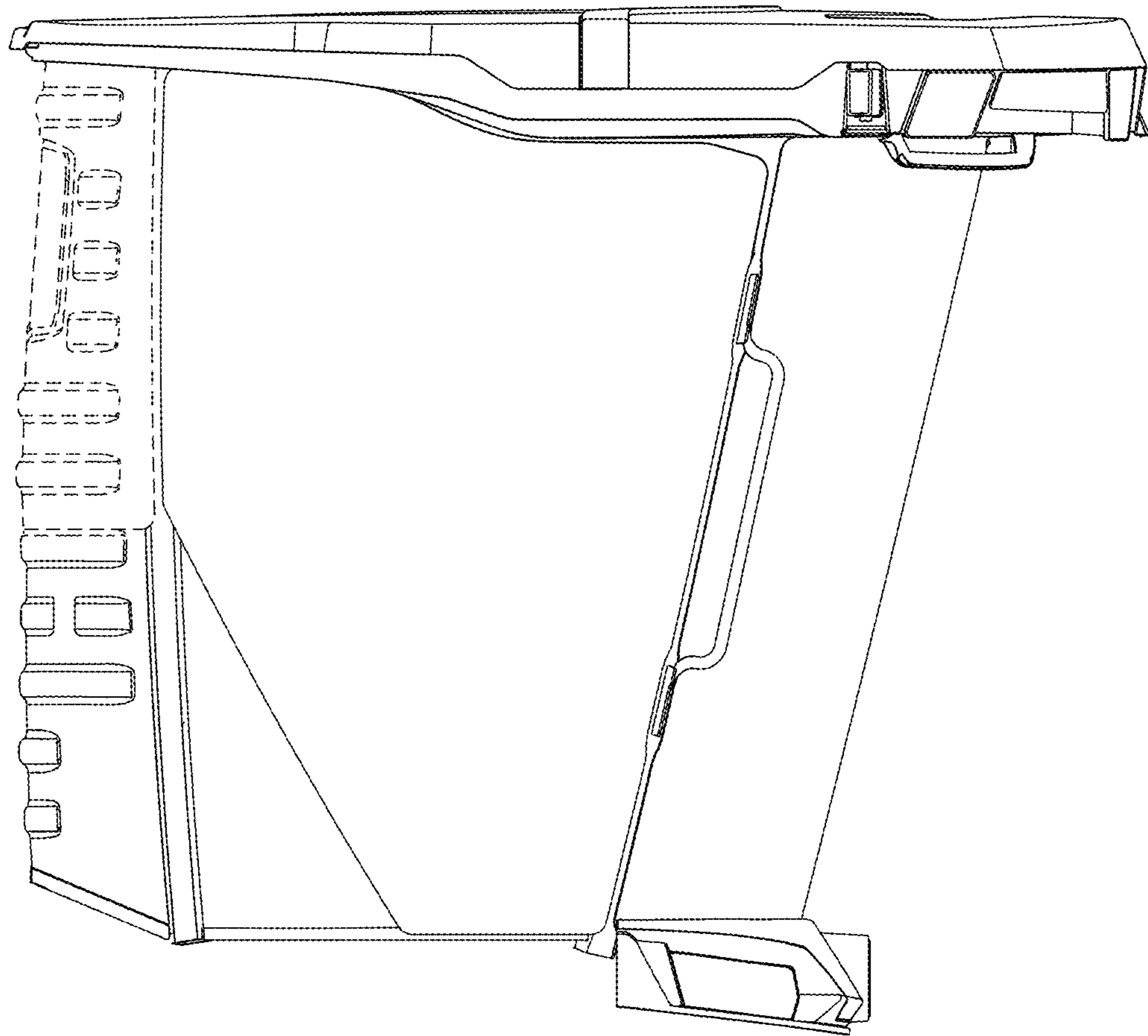


FIG. 5

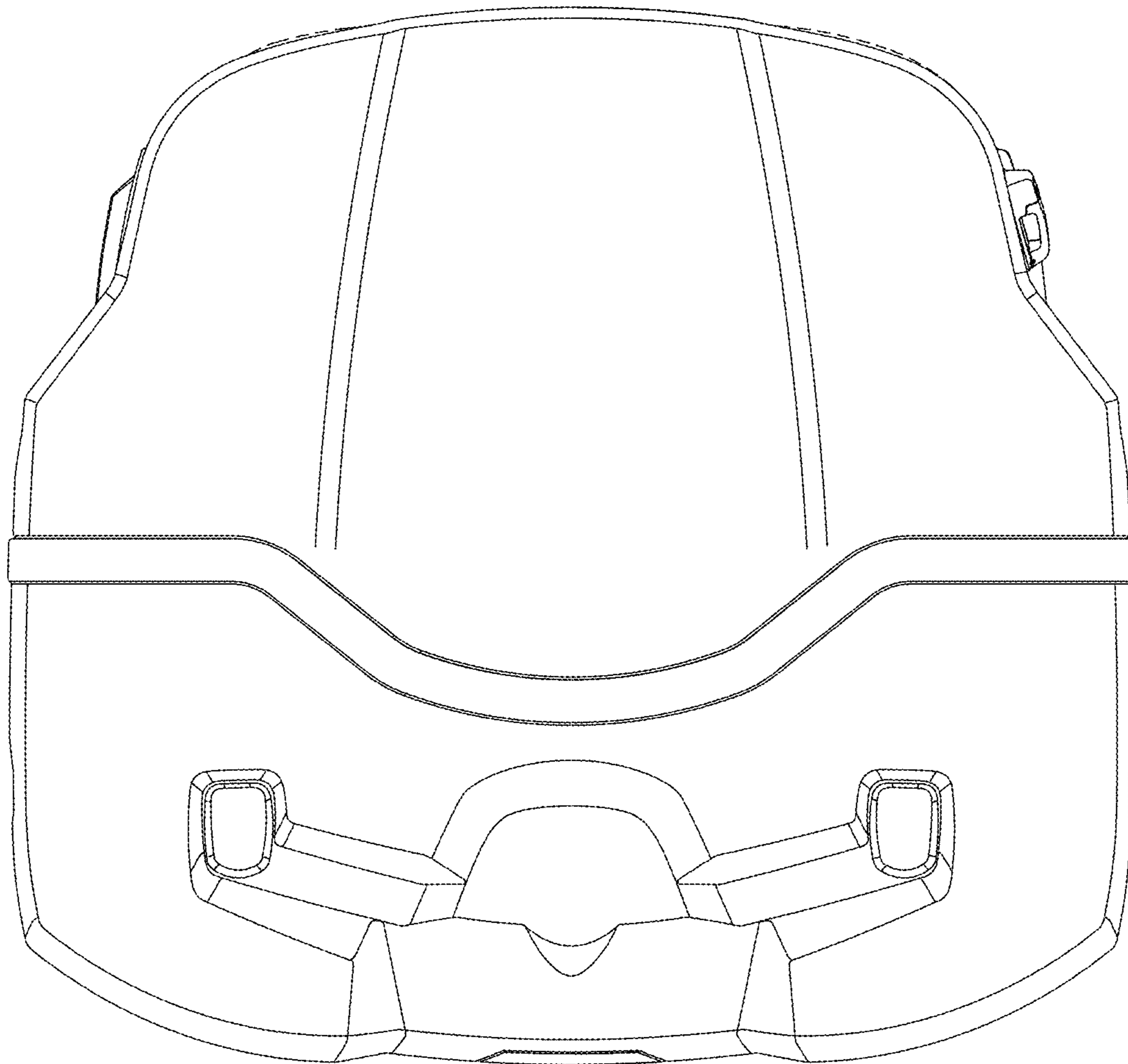


FIG. 6

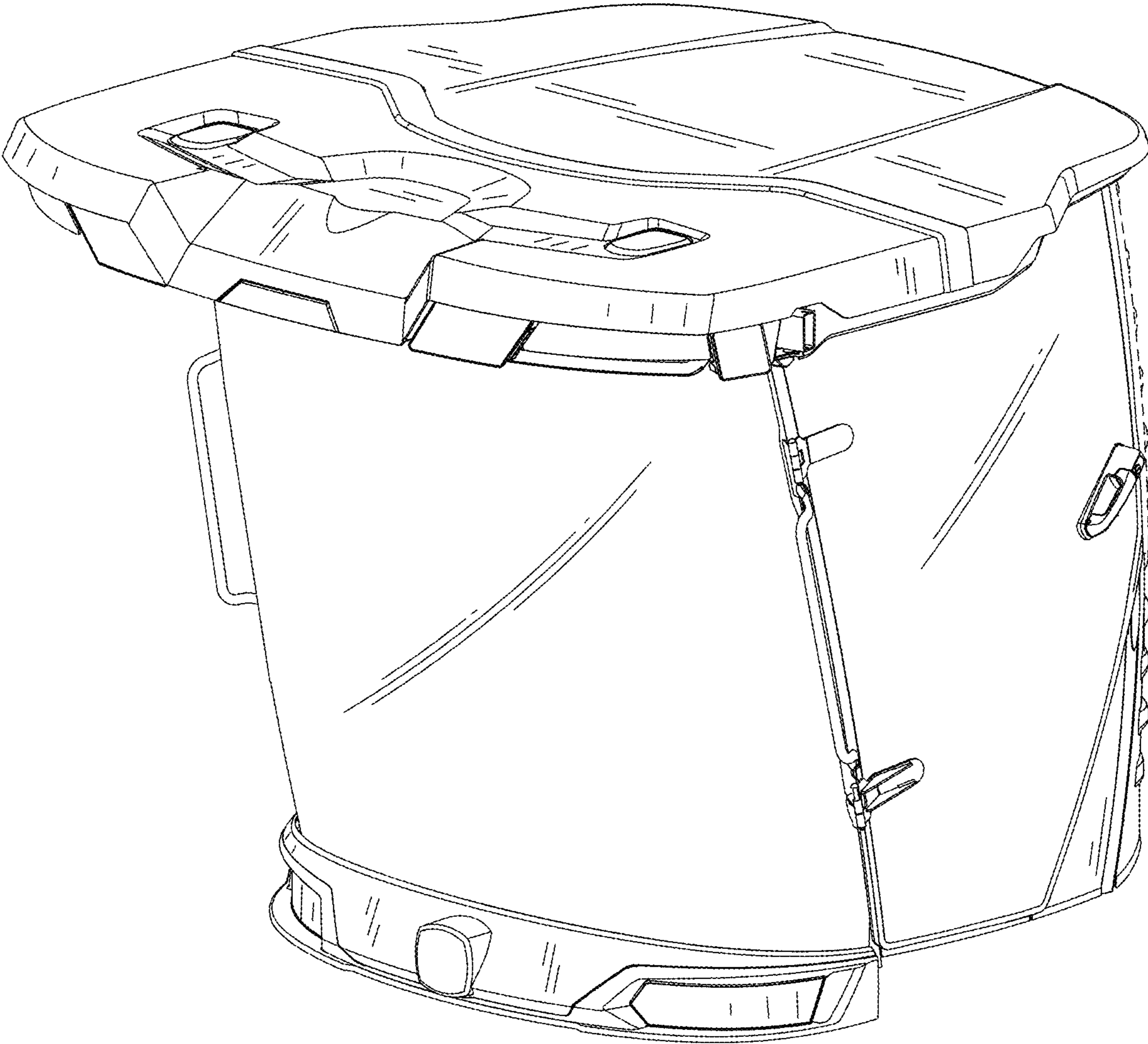


FIG. 7

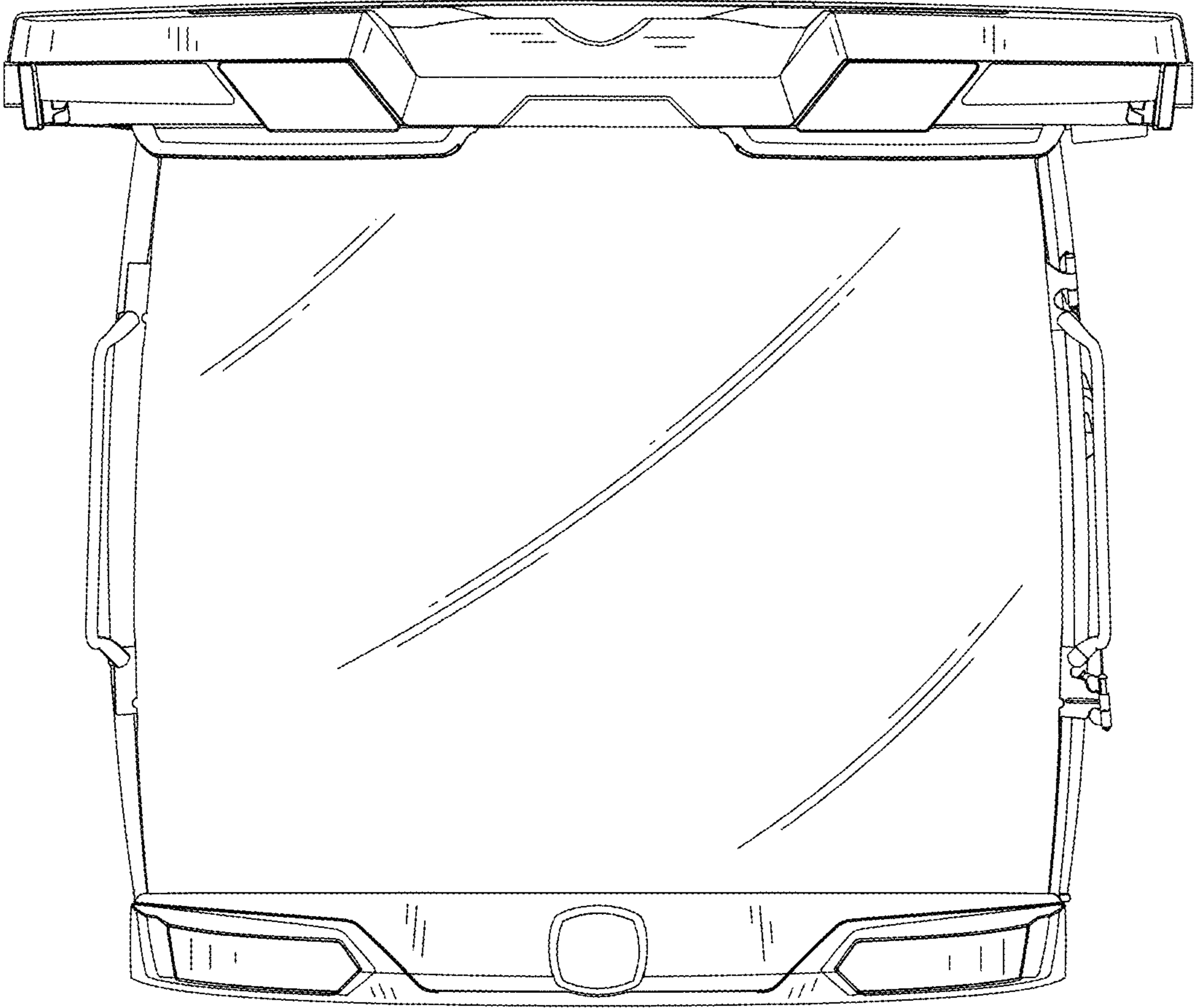


FIG. 8

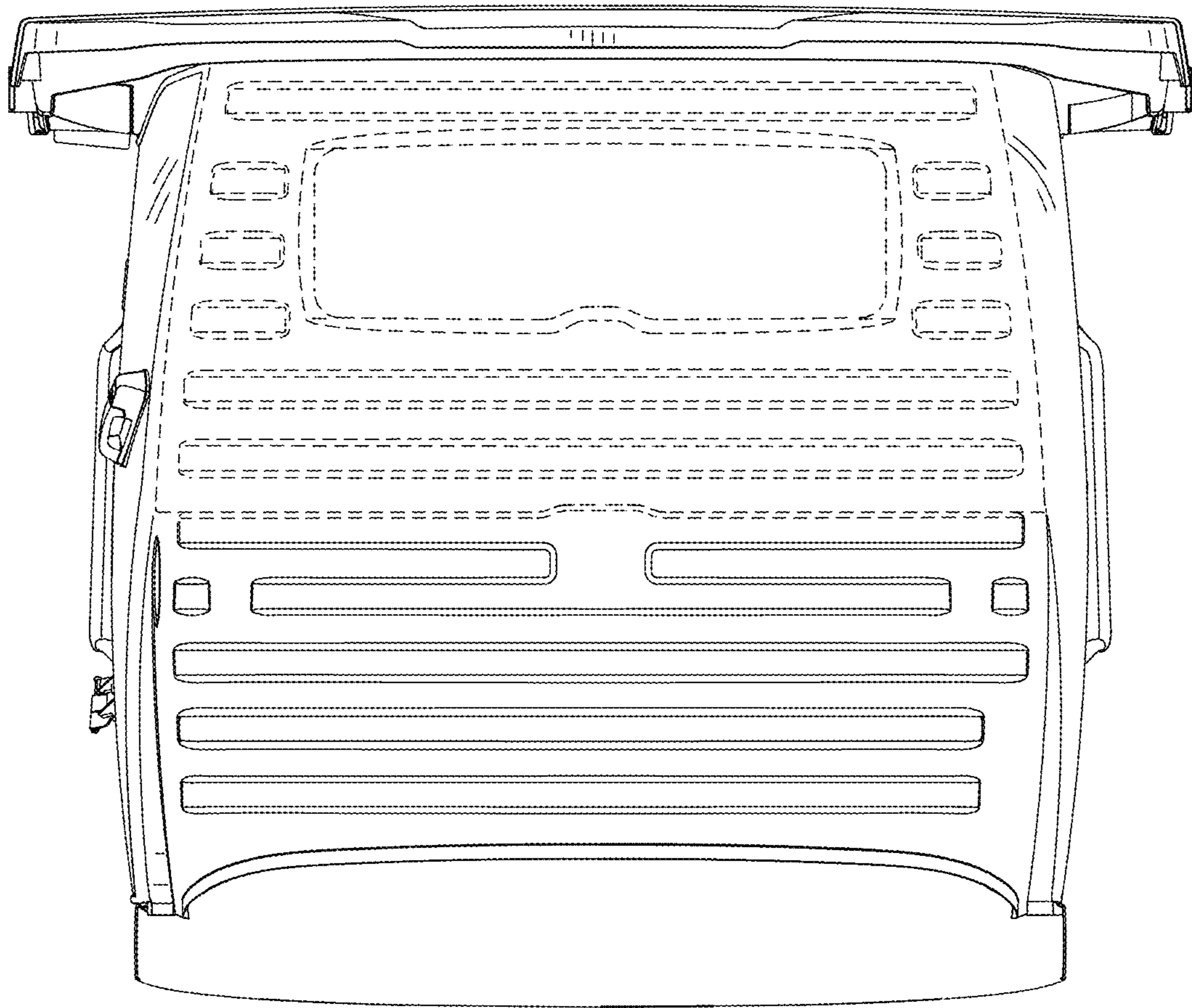


FIG. 9

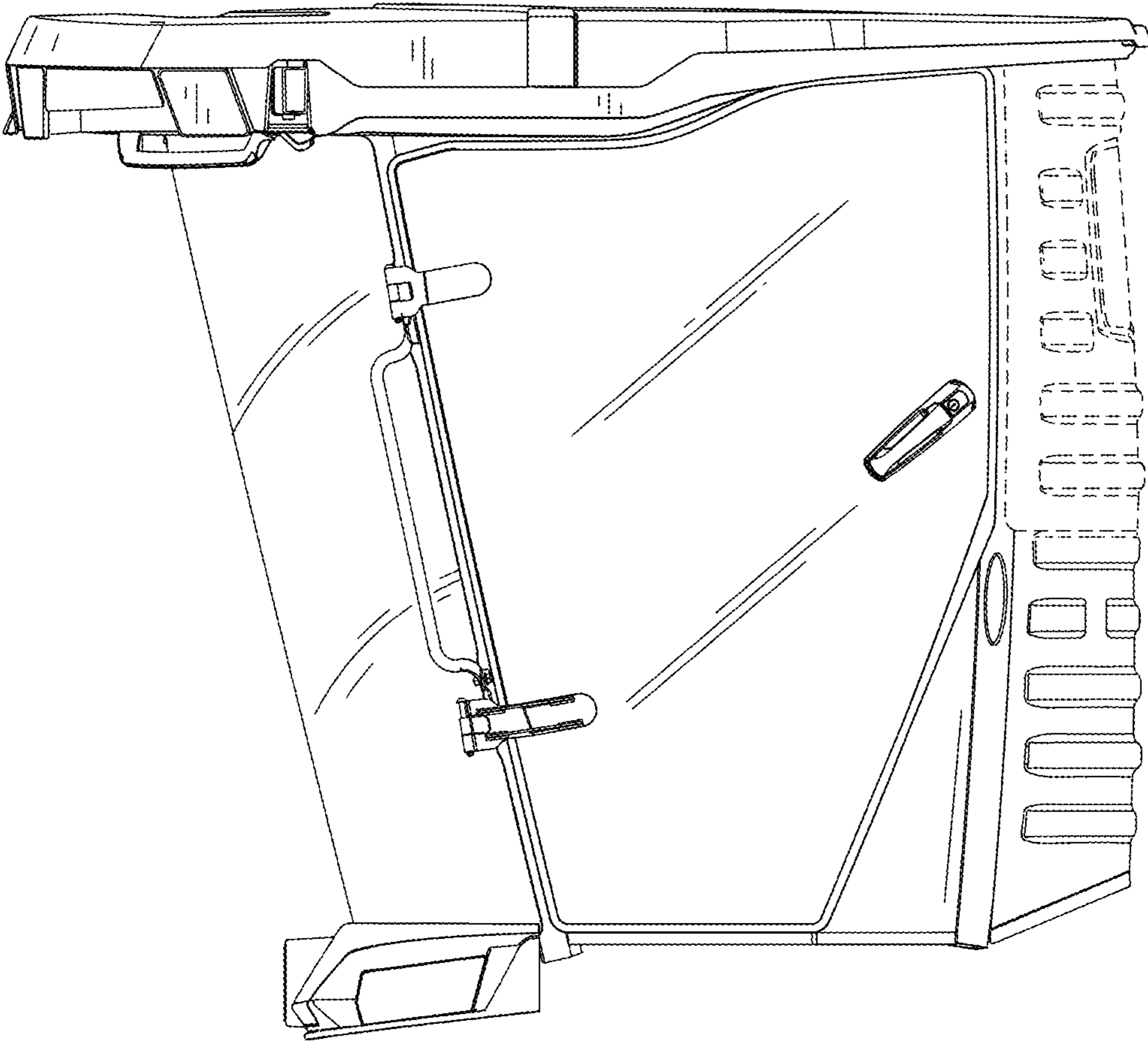


FIG. 10

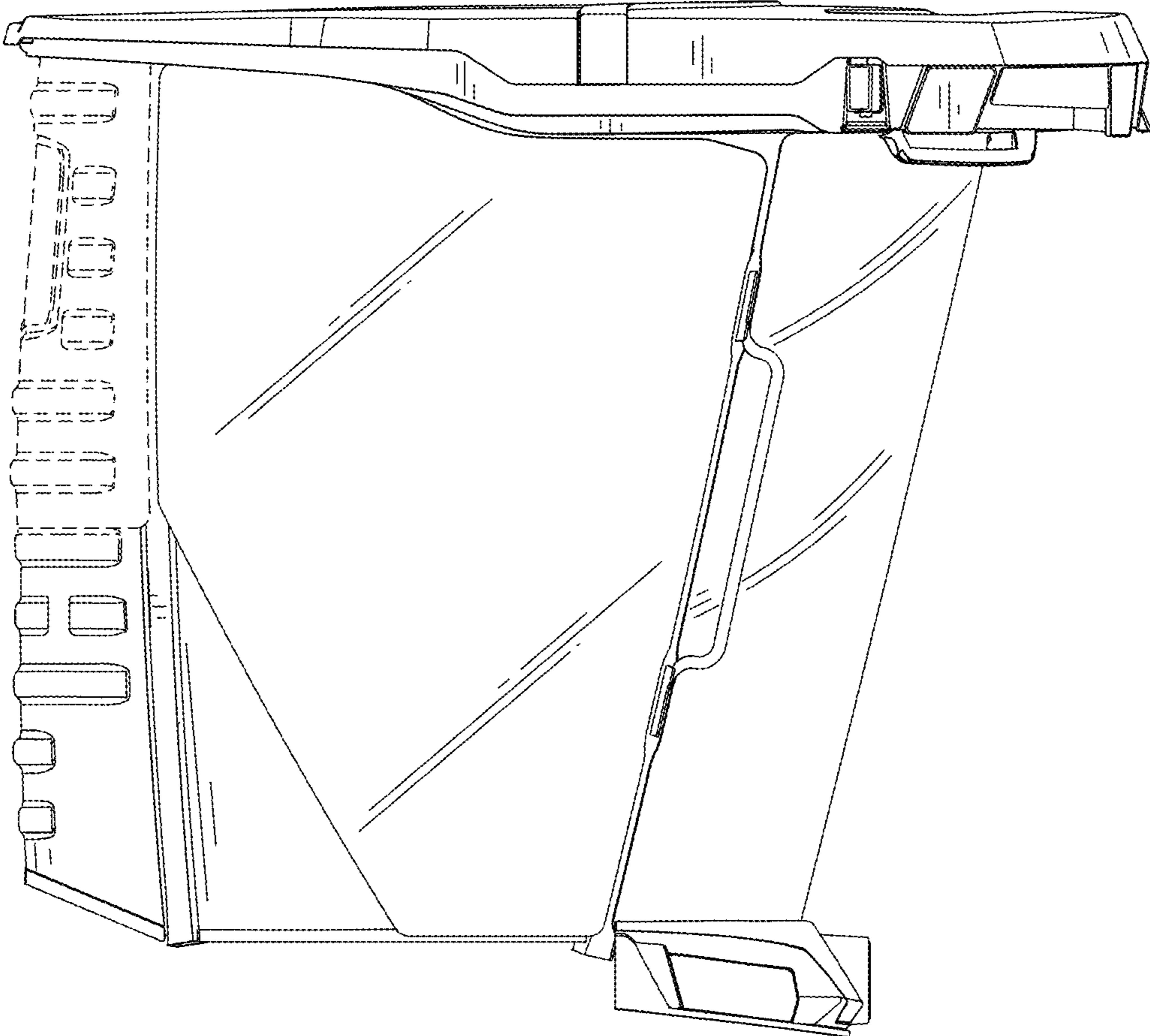


FIG. 11

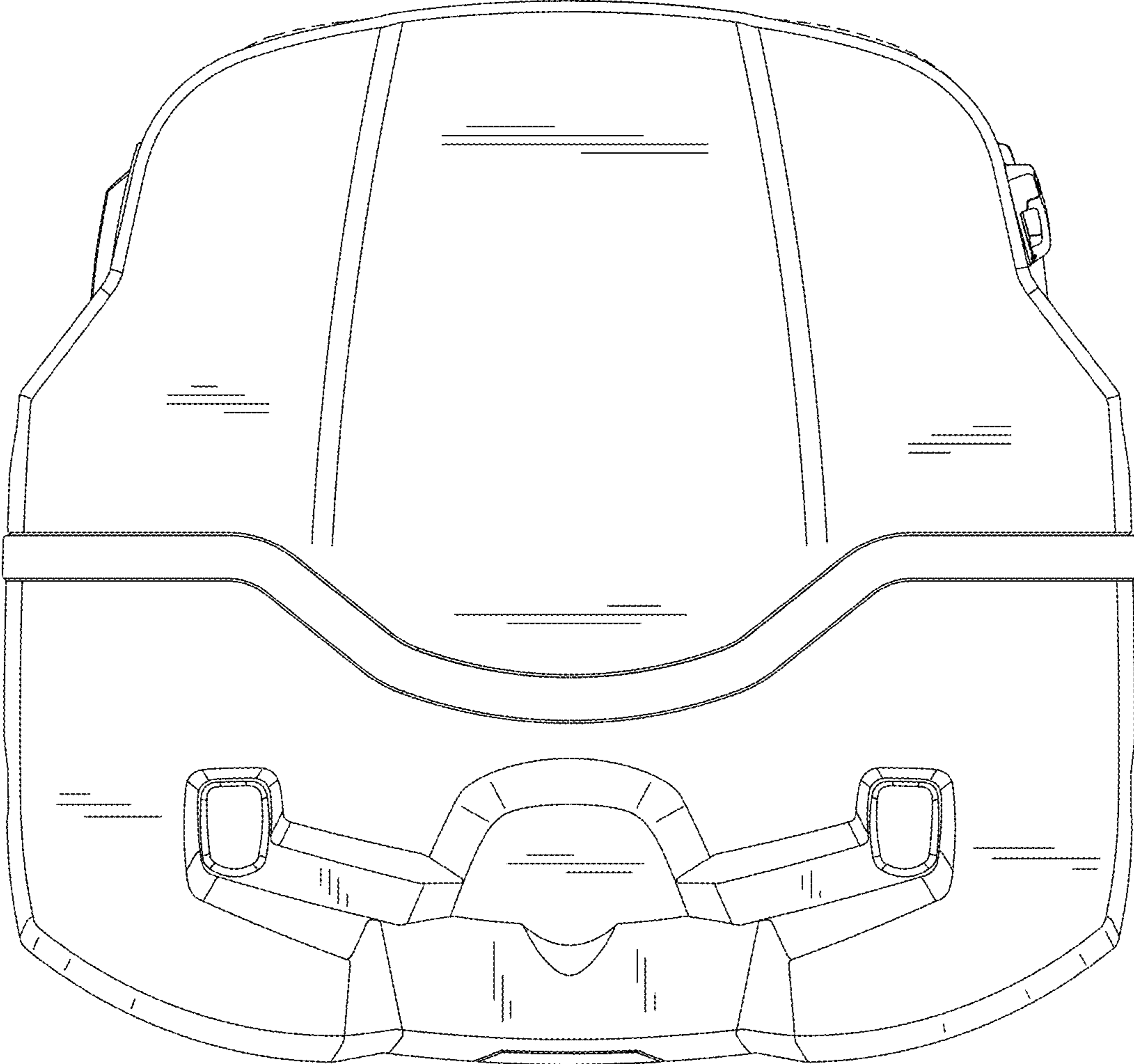


FIG. 12

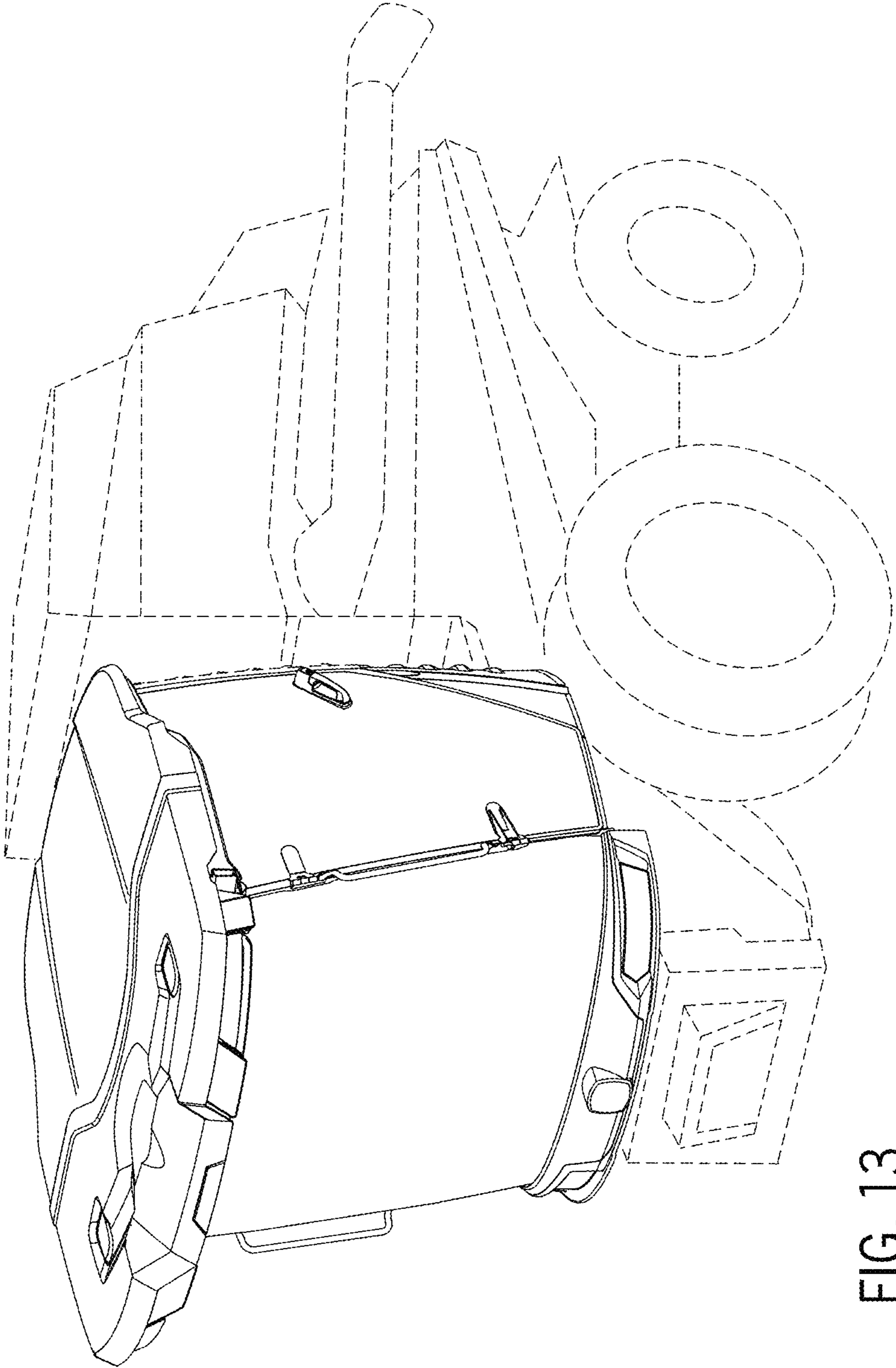


FIG. 13

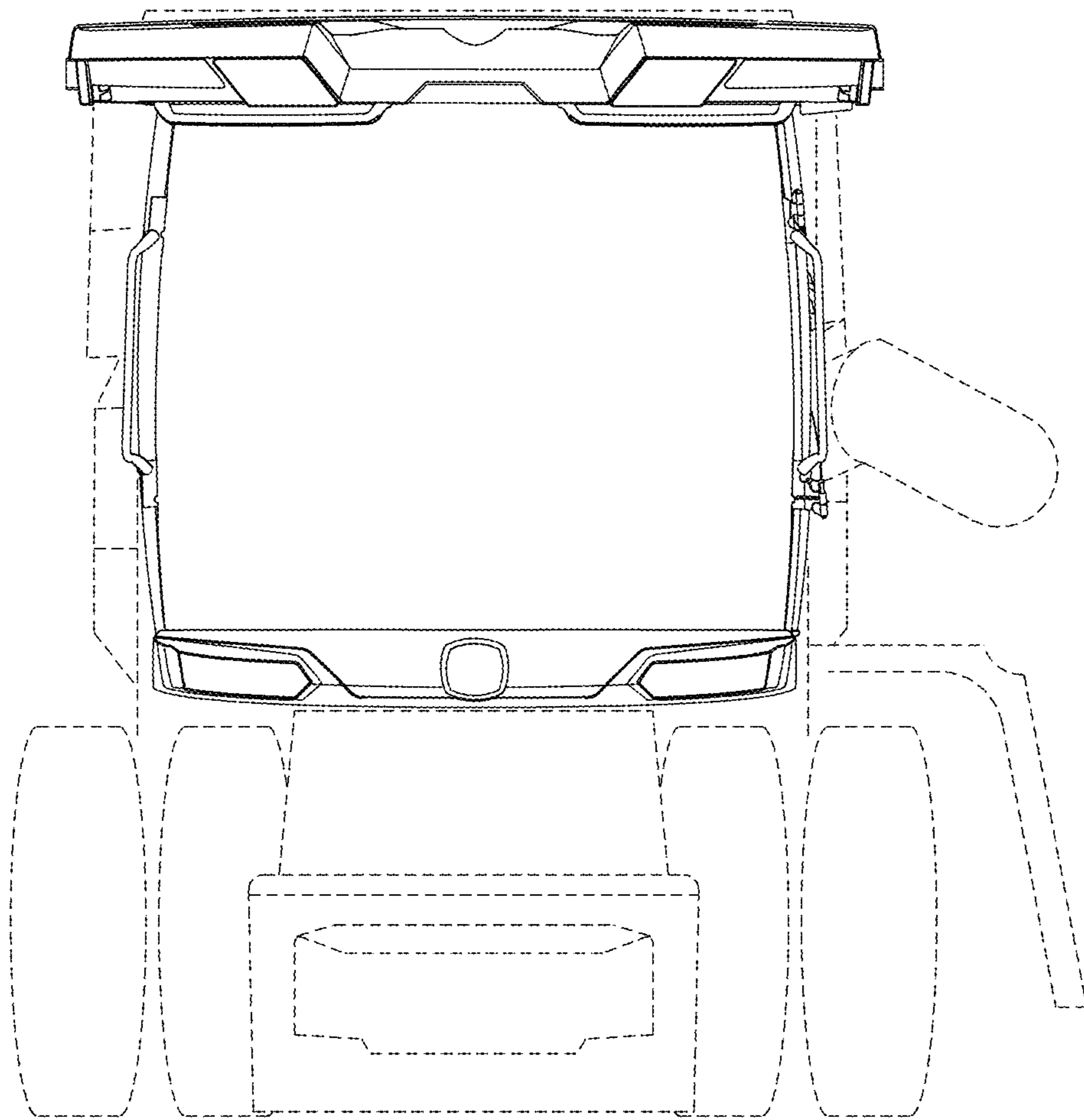


FIG. 14

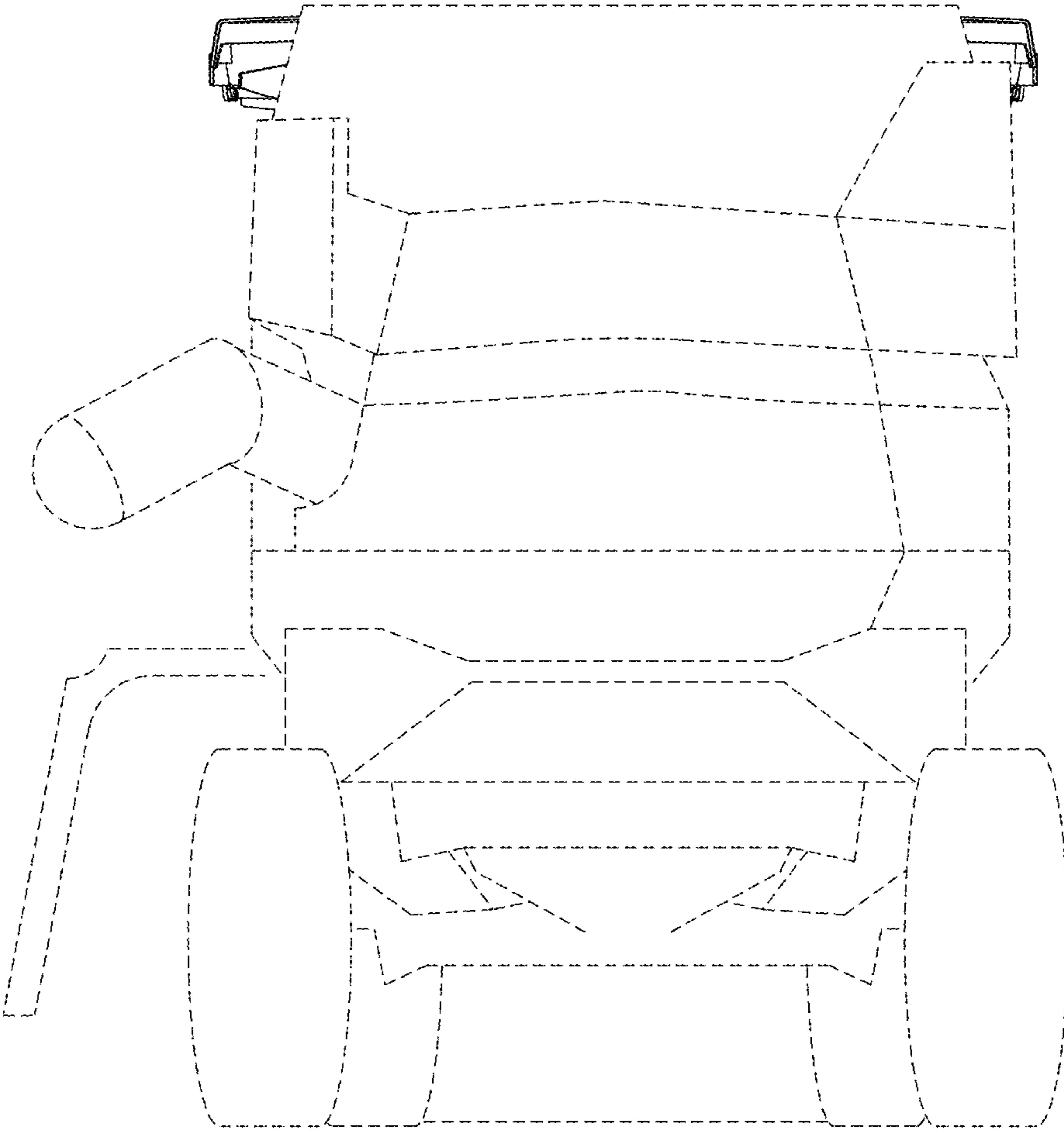


FIG. 15

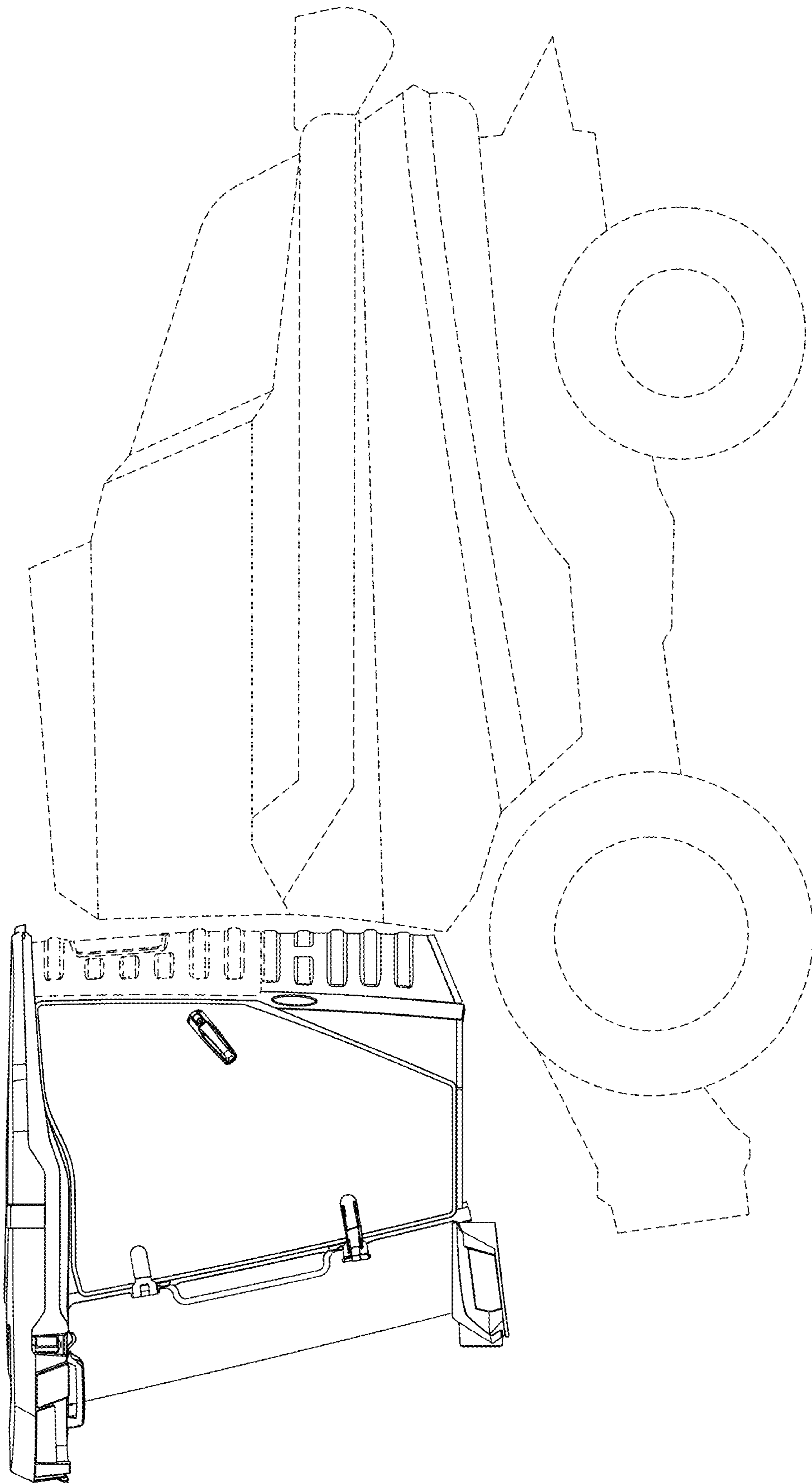


FIG. 16

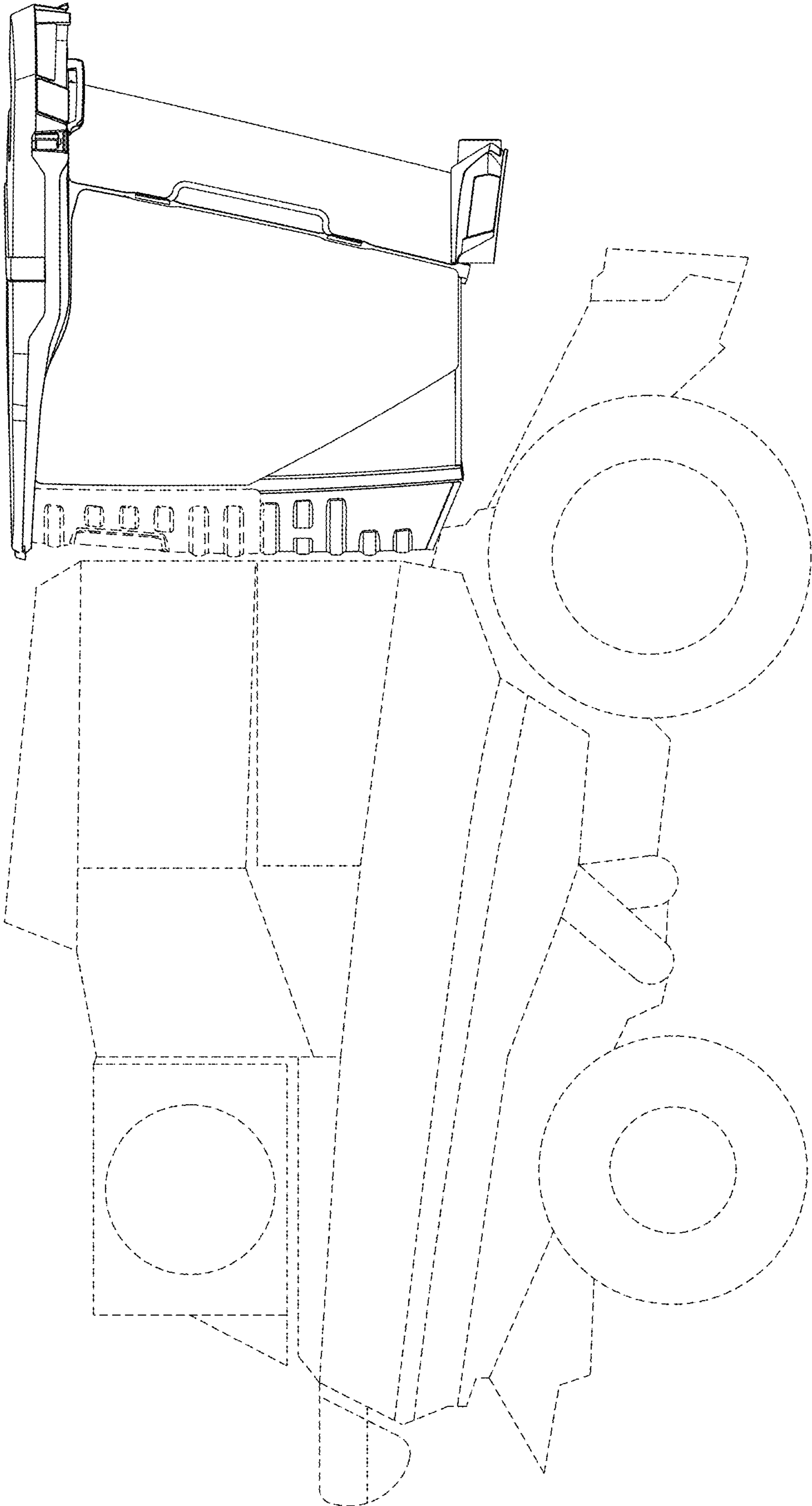
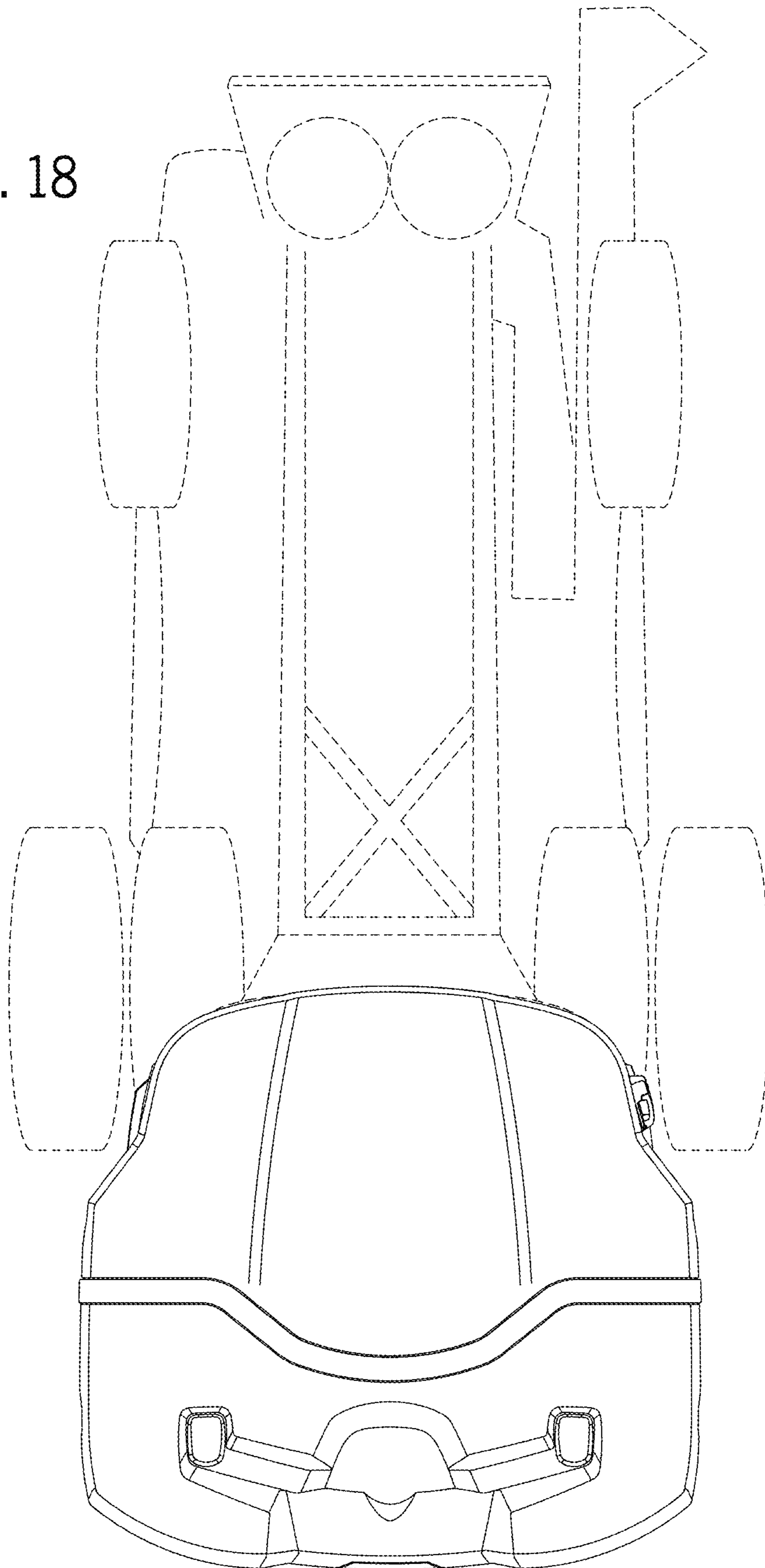


FIG. 17

FIG. 18



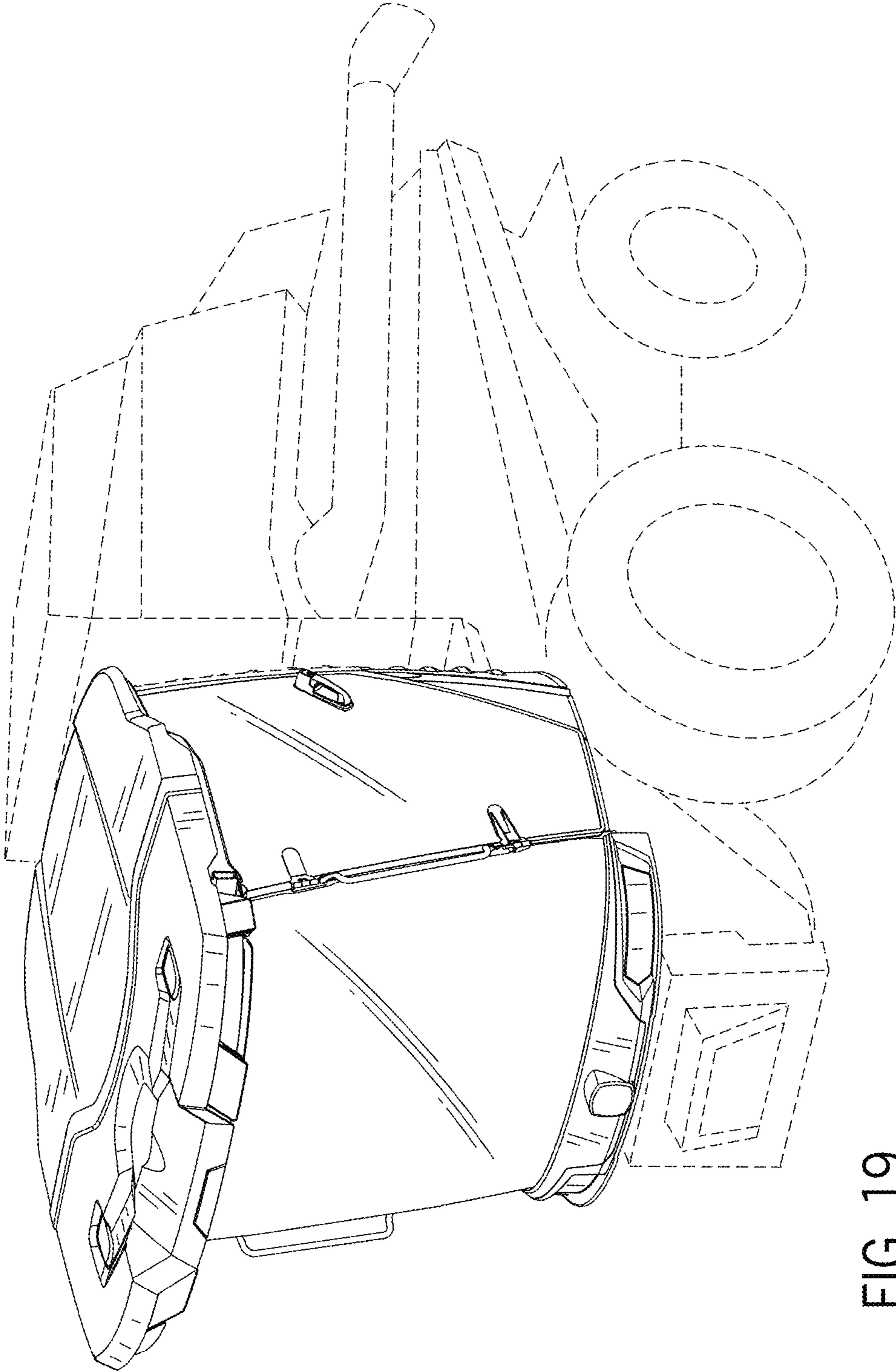


FIG. 19

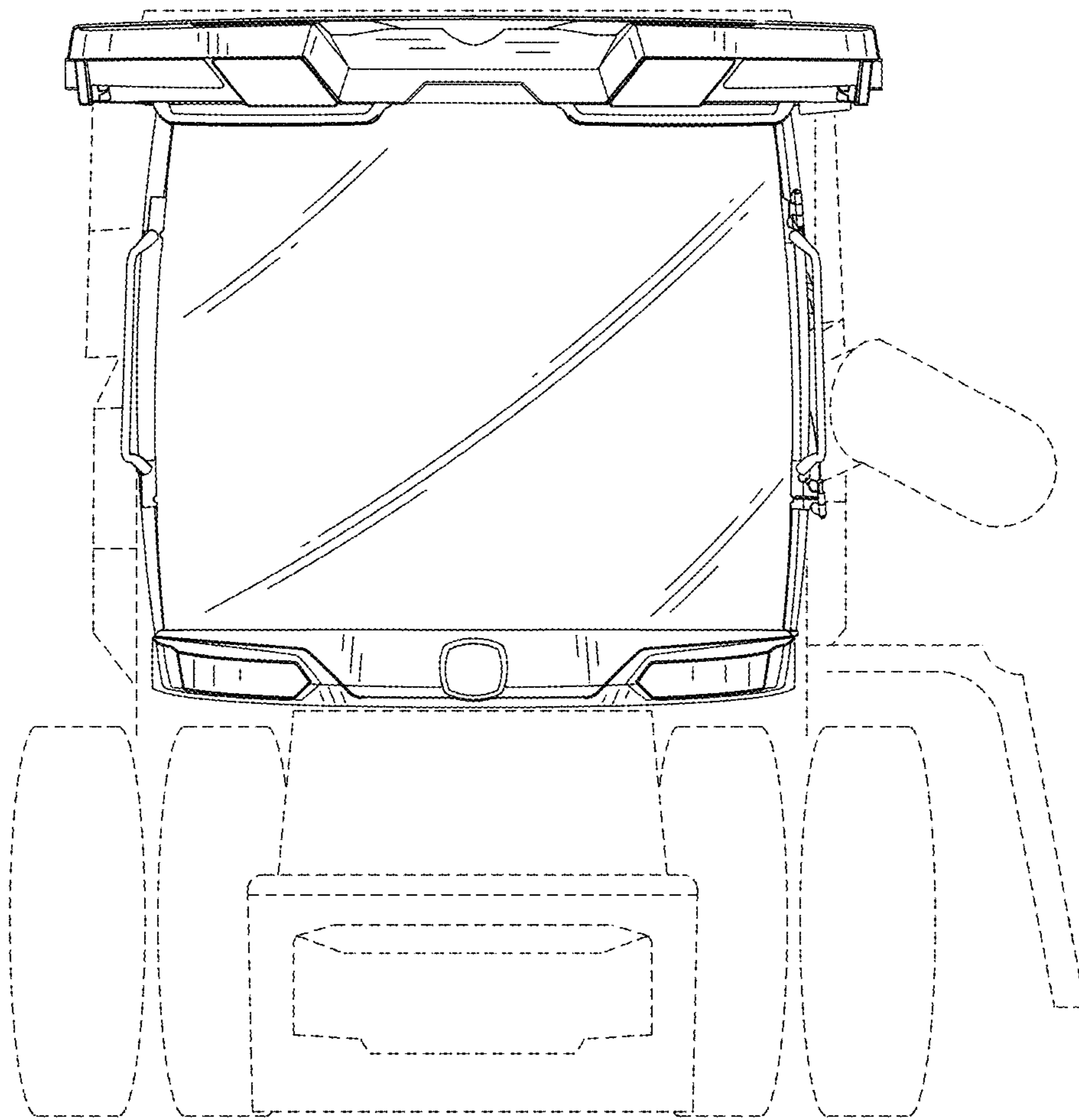


FIG. 20

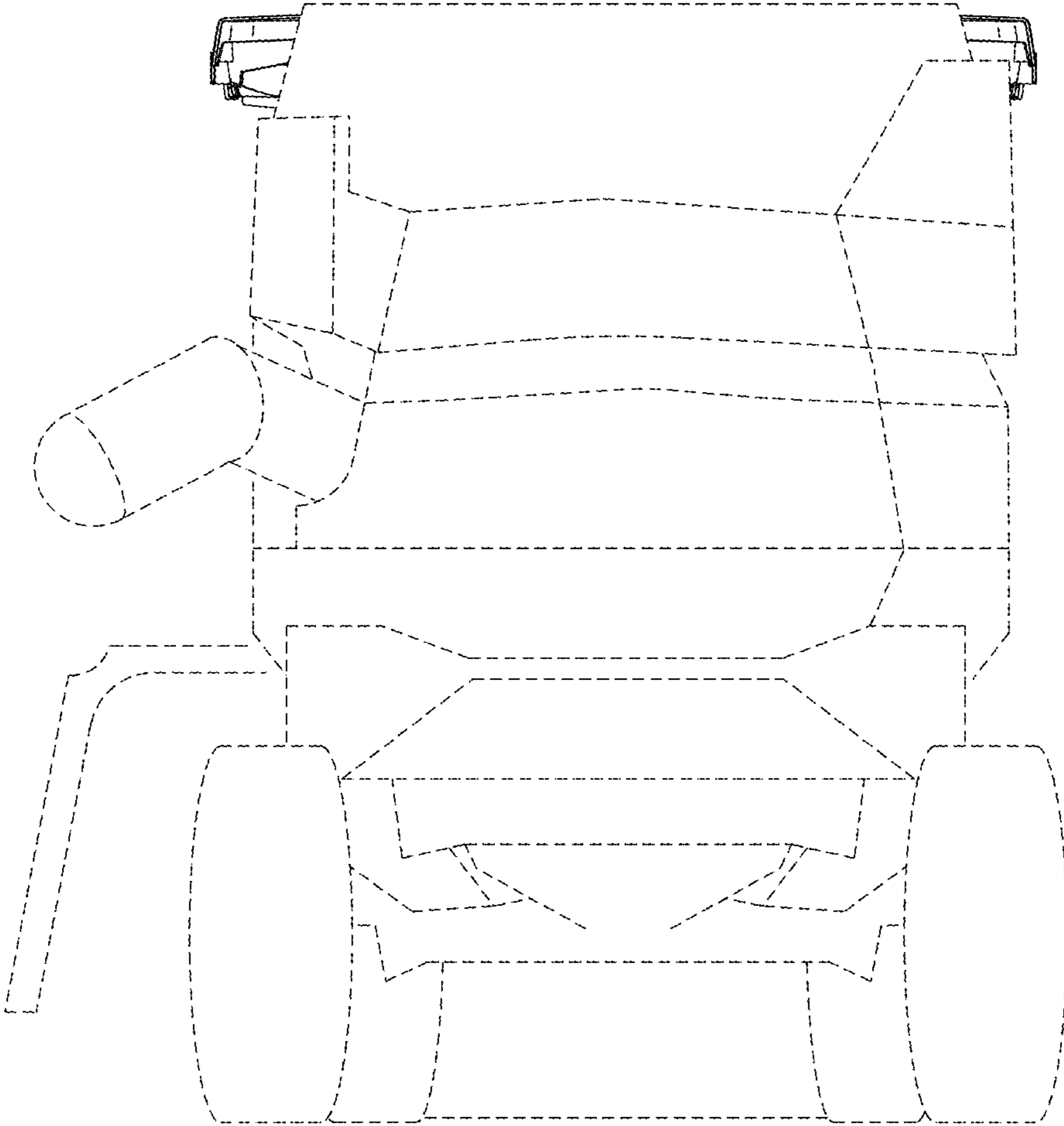


FIG. 21

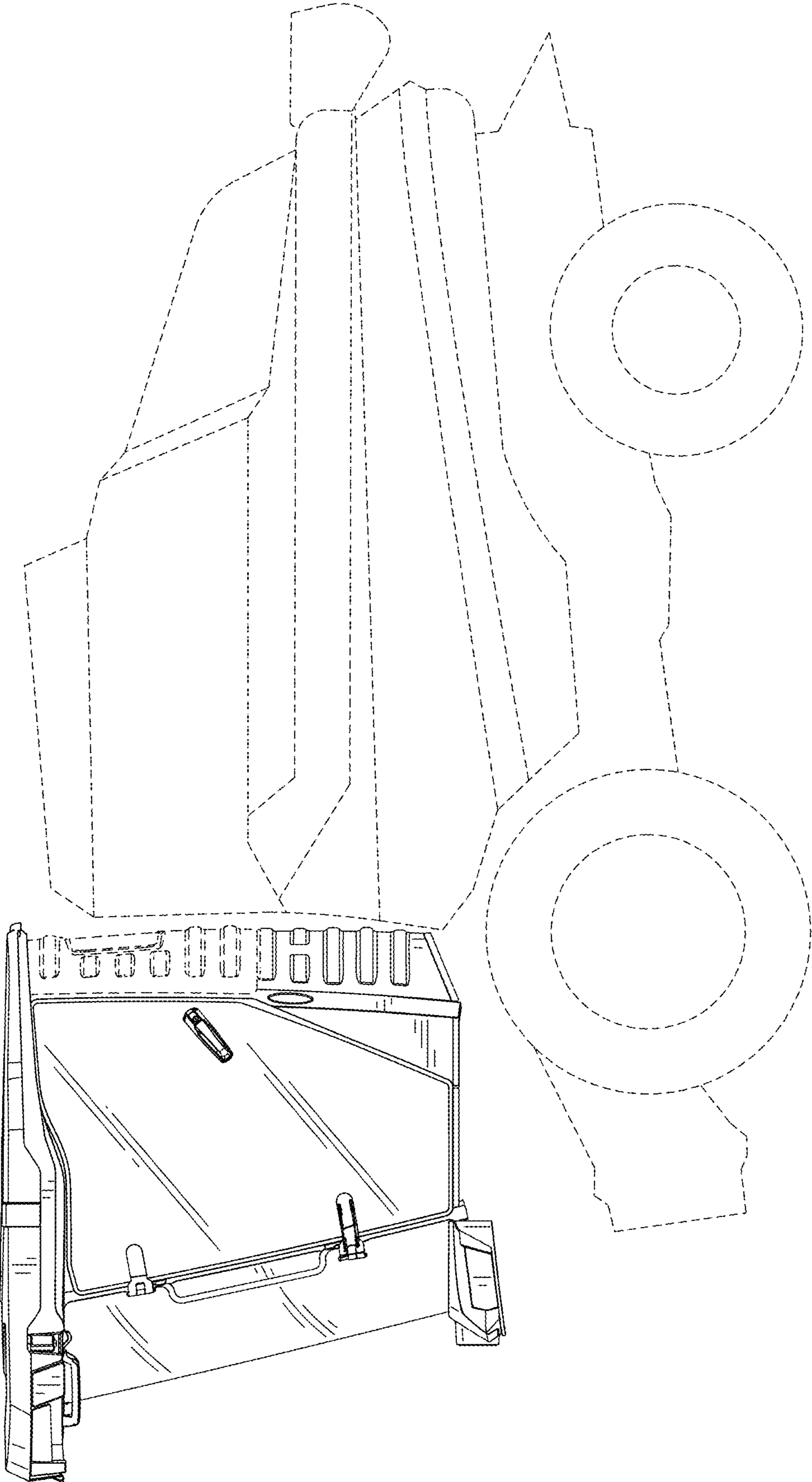


FIG. 22

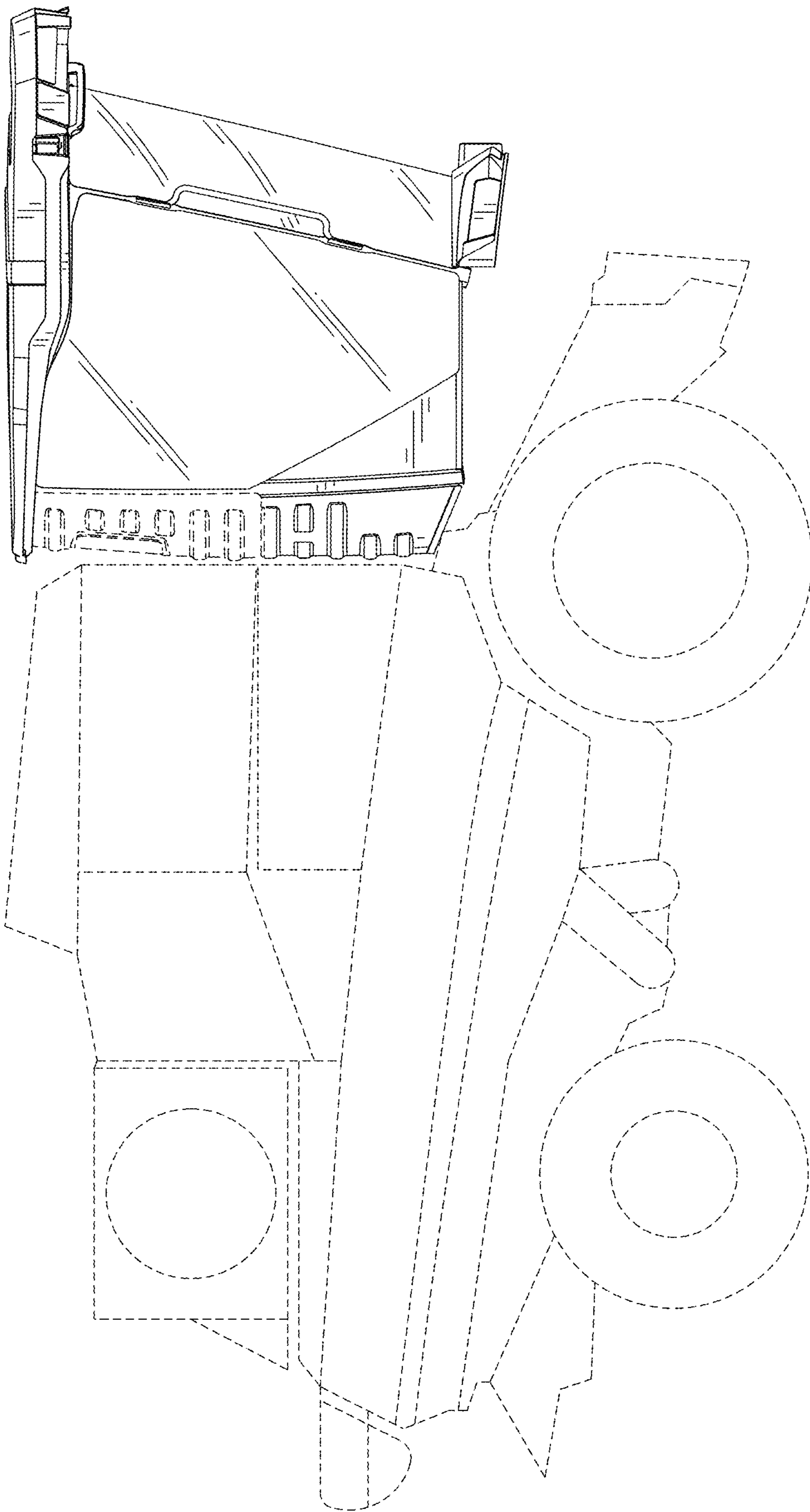
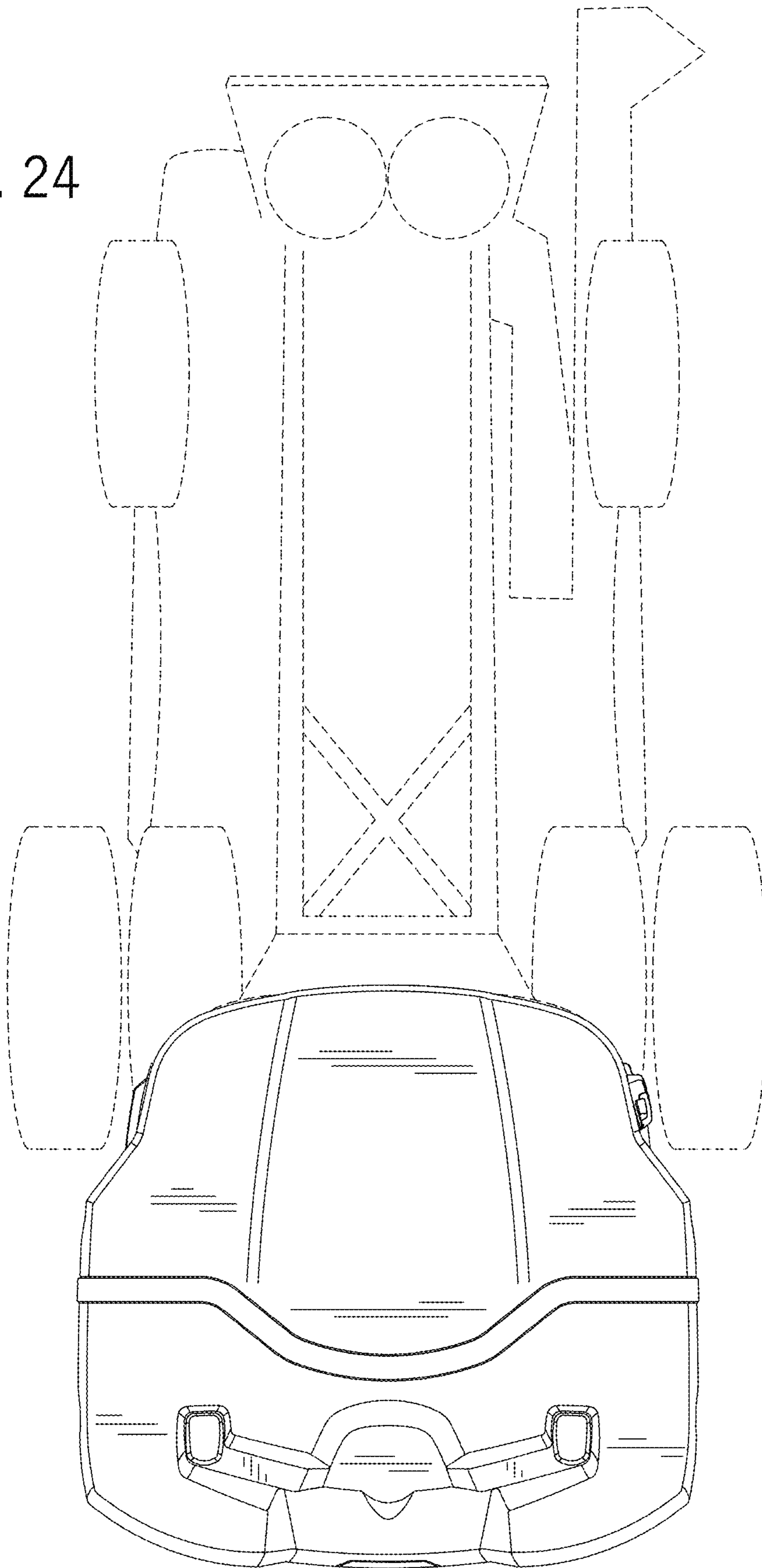


FIG. 23

FIG. 24



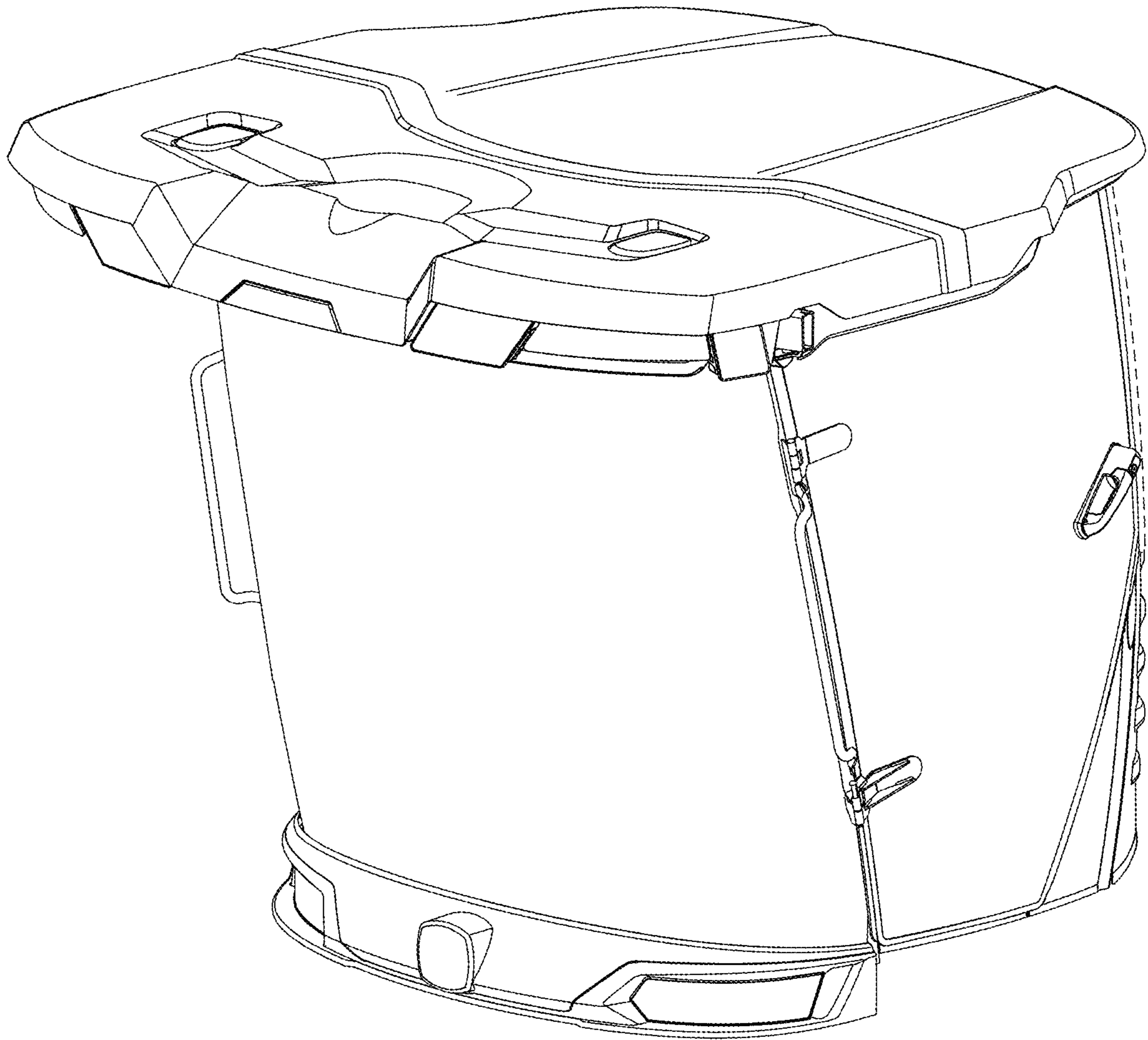


FIG. 25

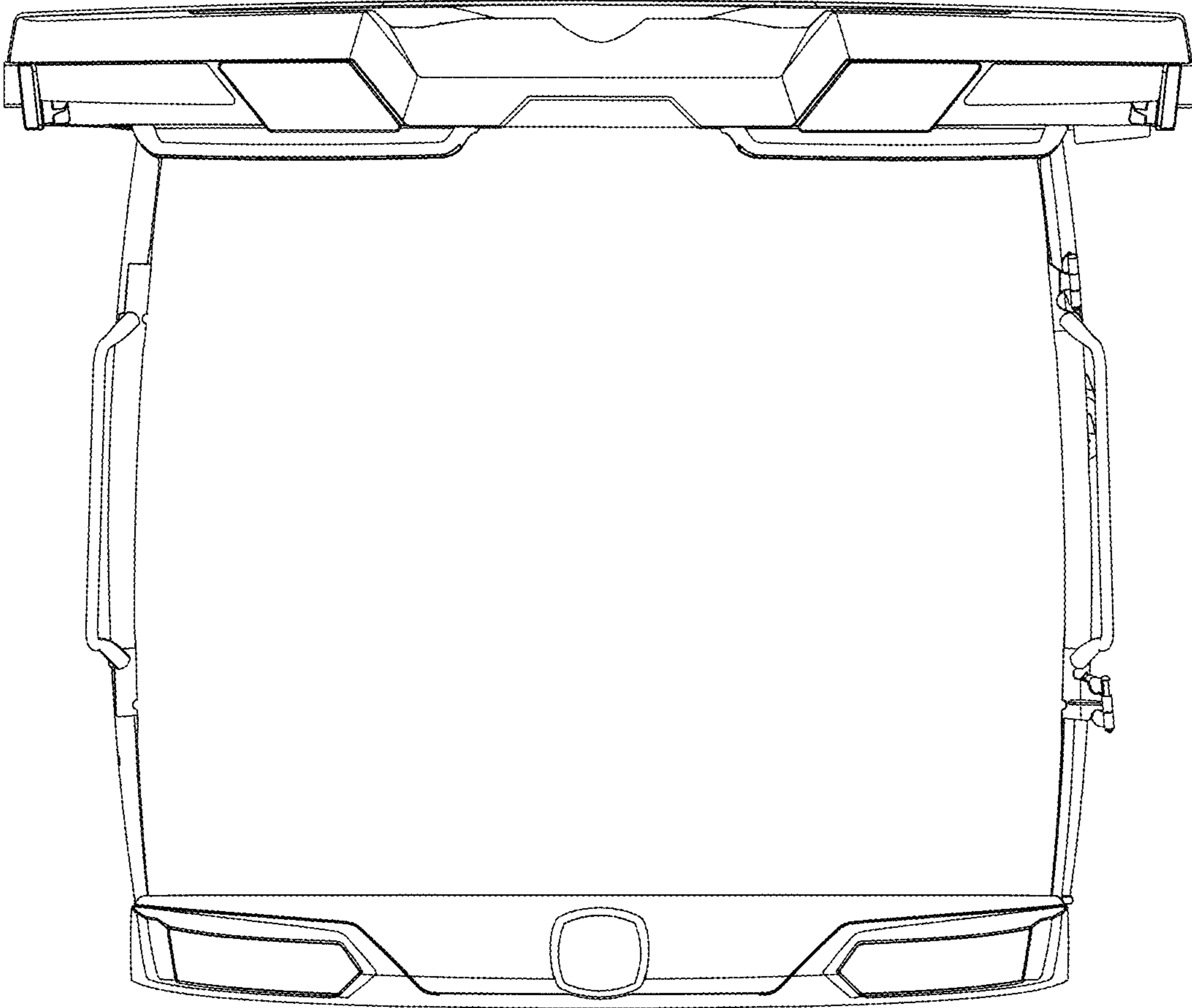


FIG. 26

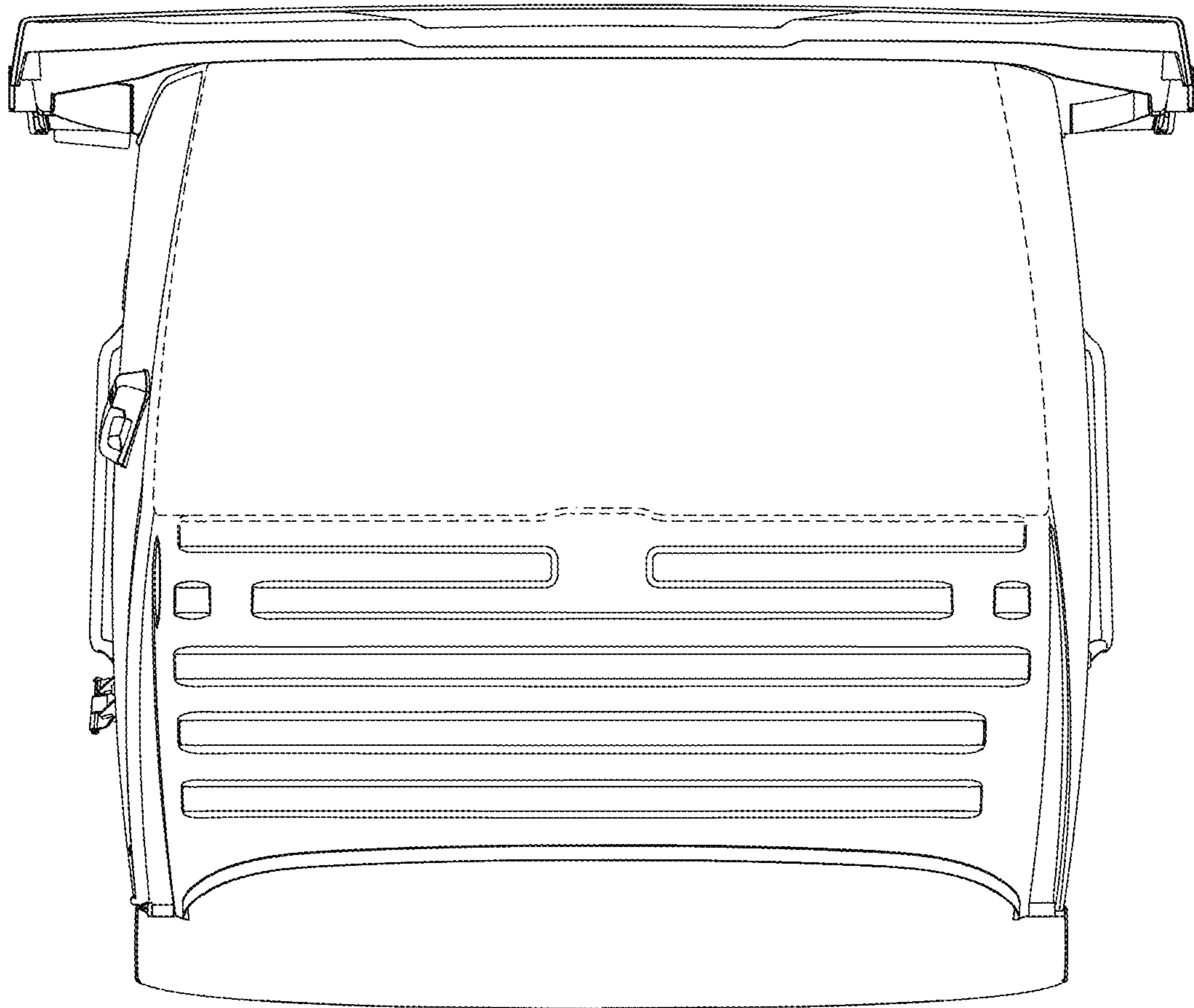


FIG. 27

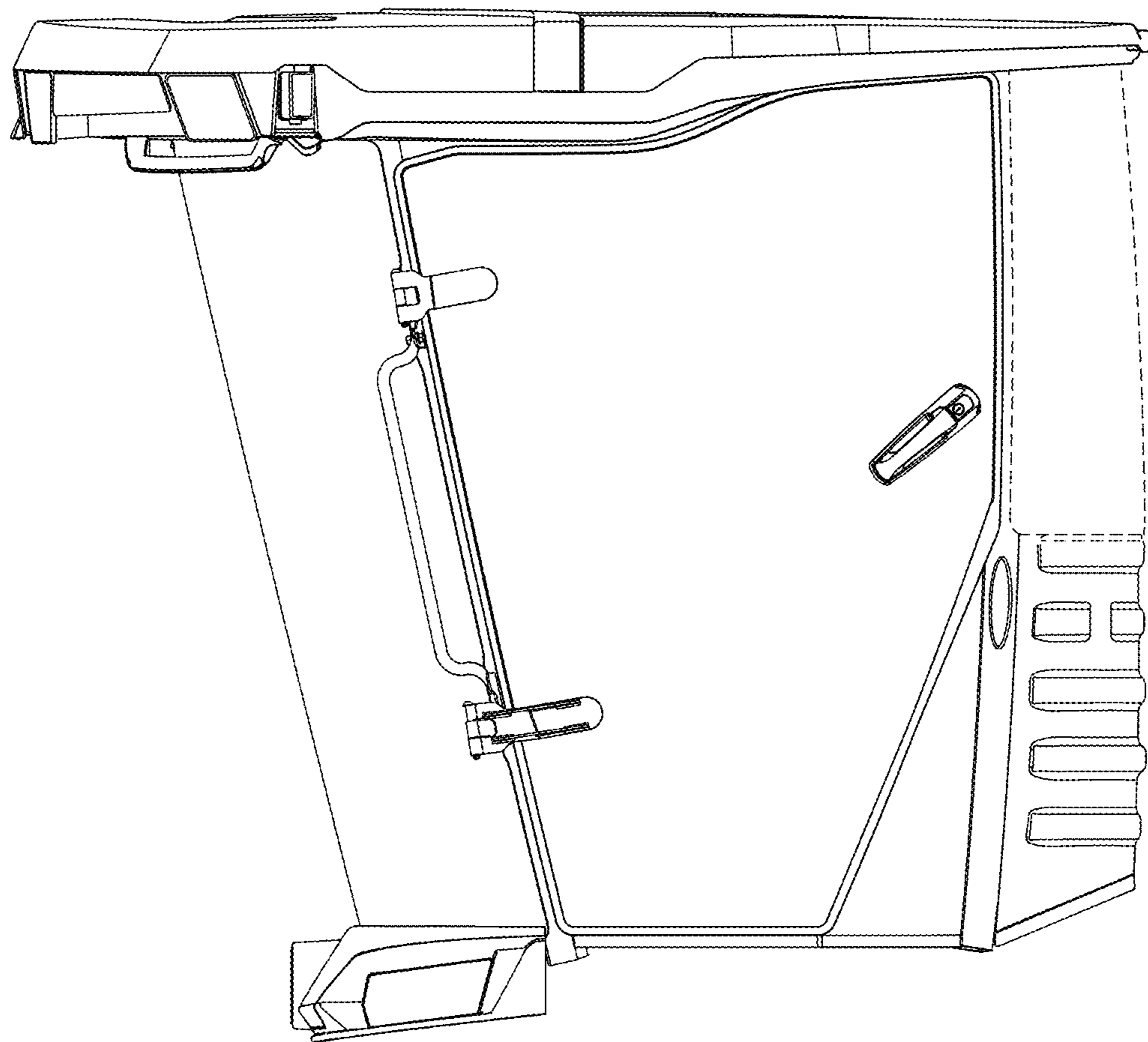


FIG. 28

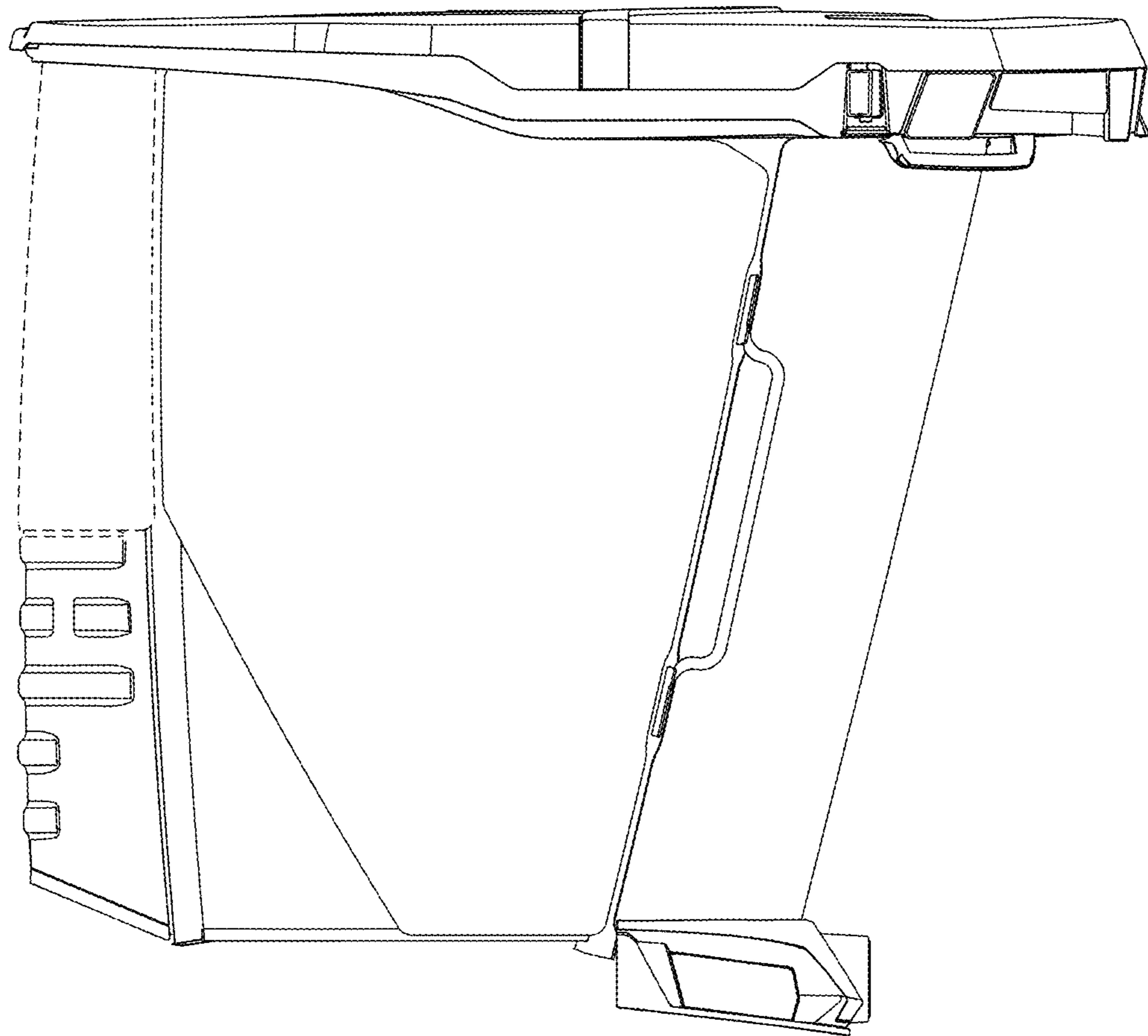


FIG. 29

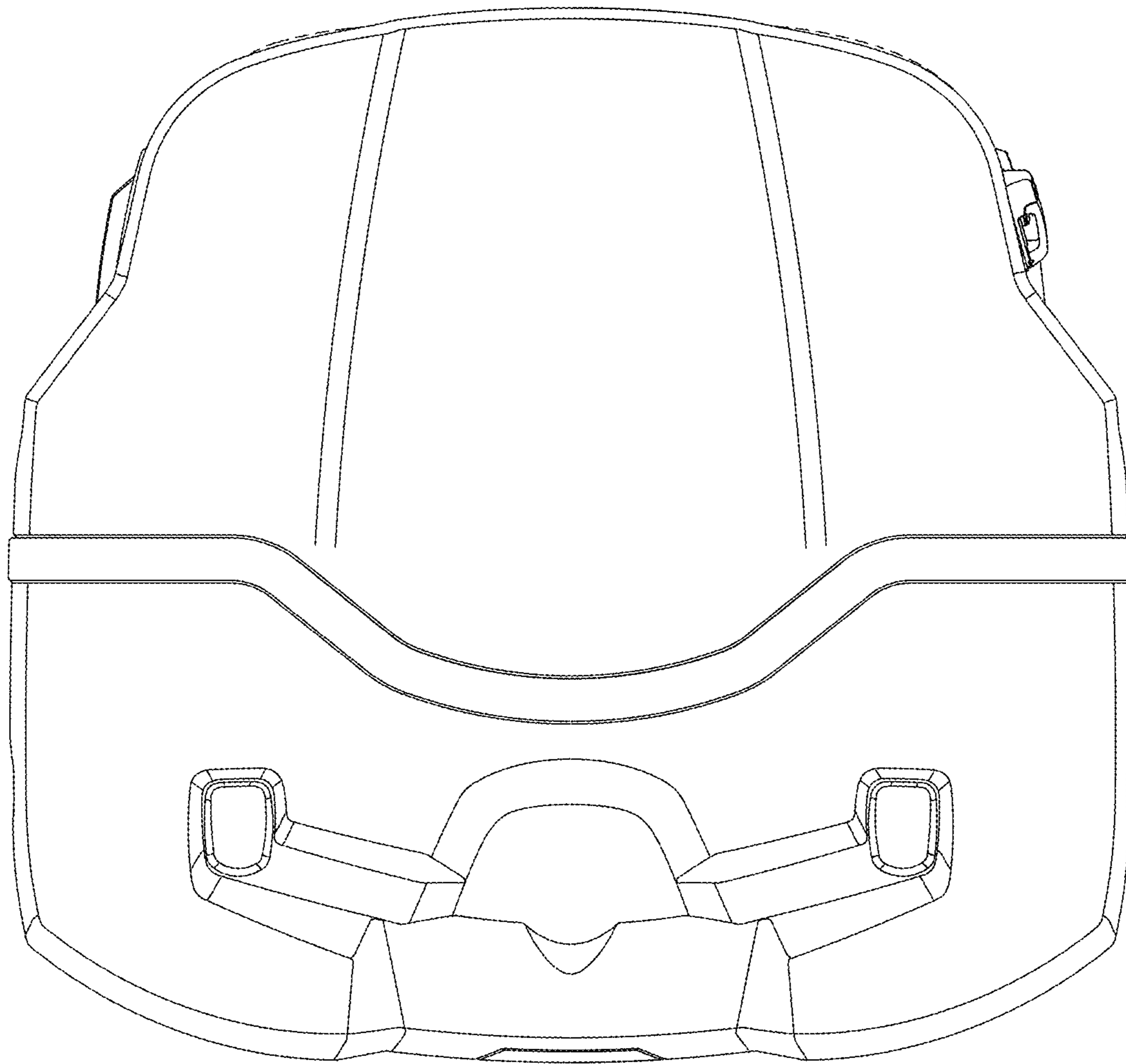


FIG. 30

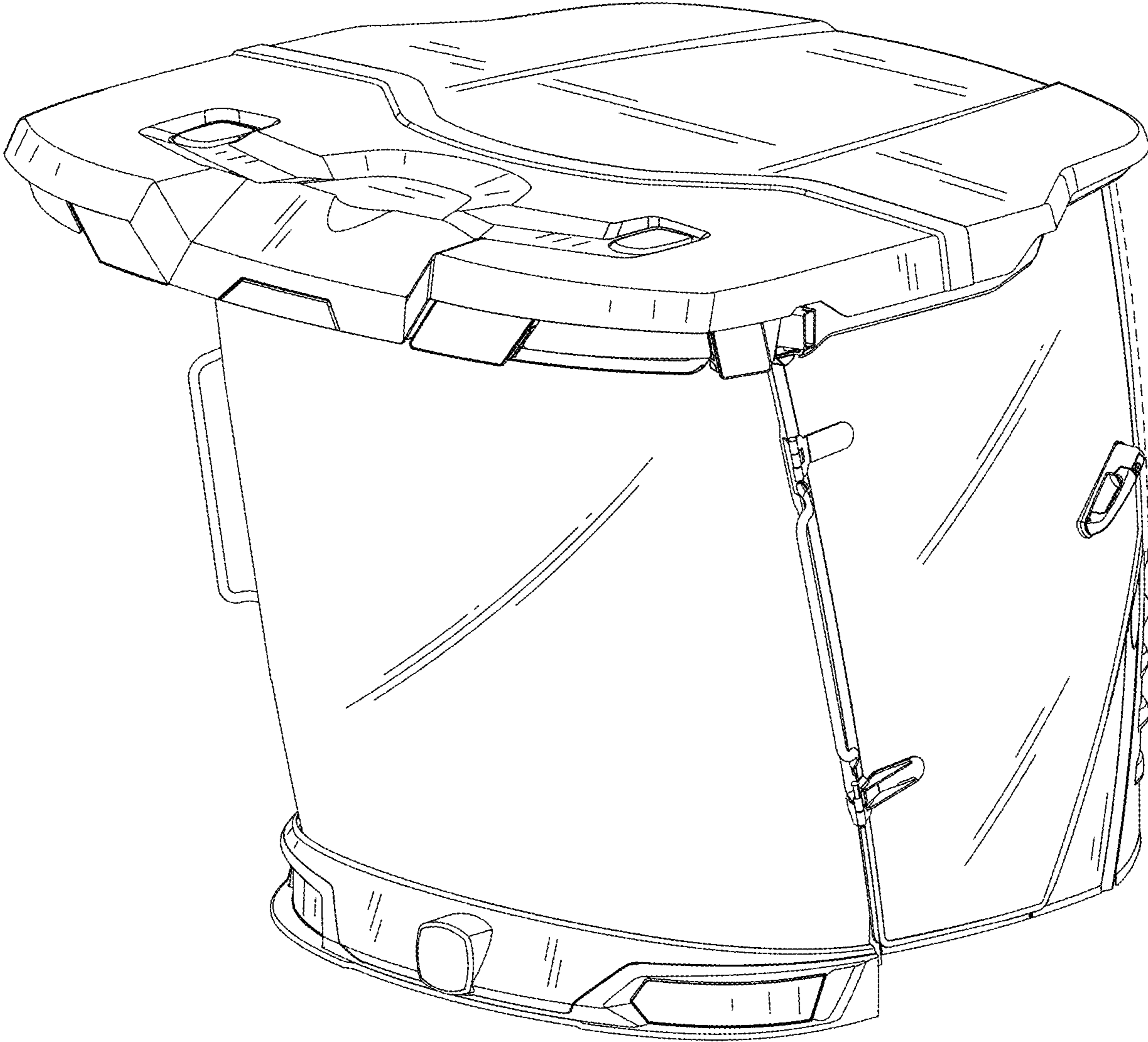


FIG. 31

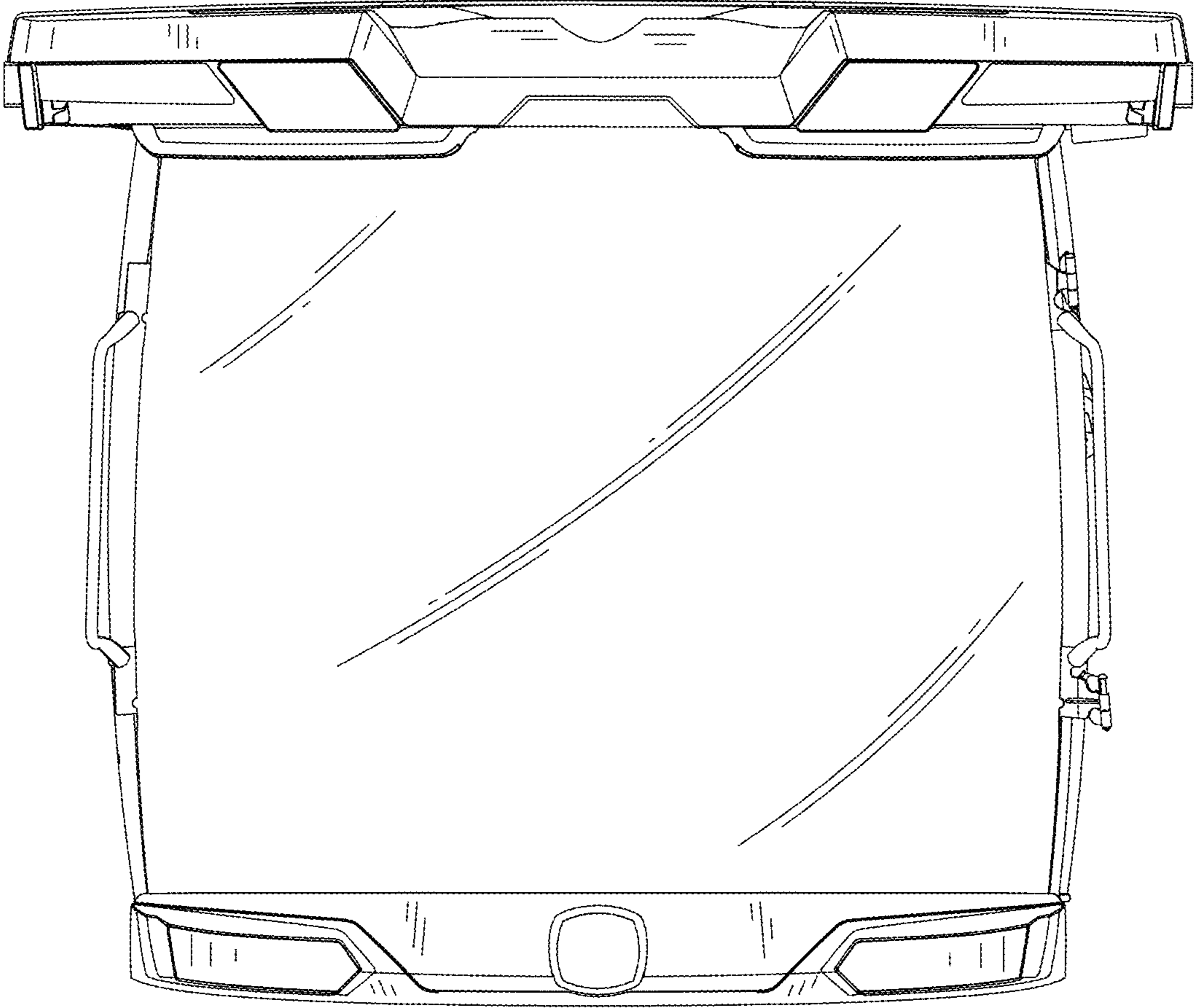


FIG. 32

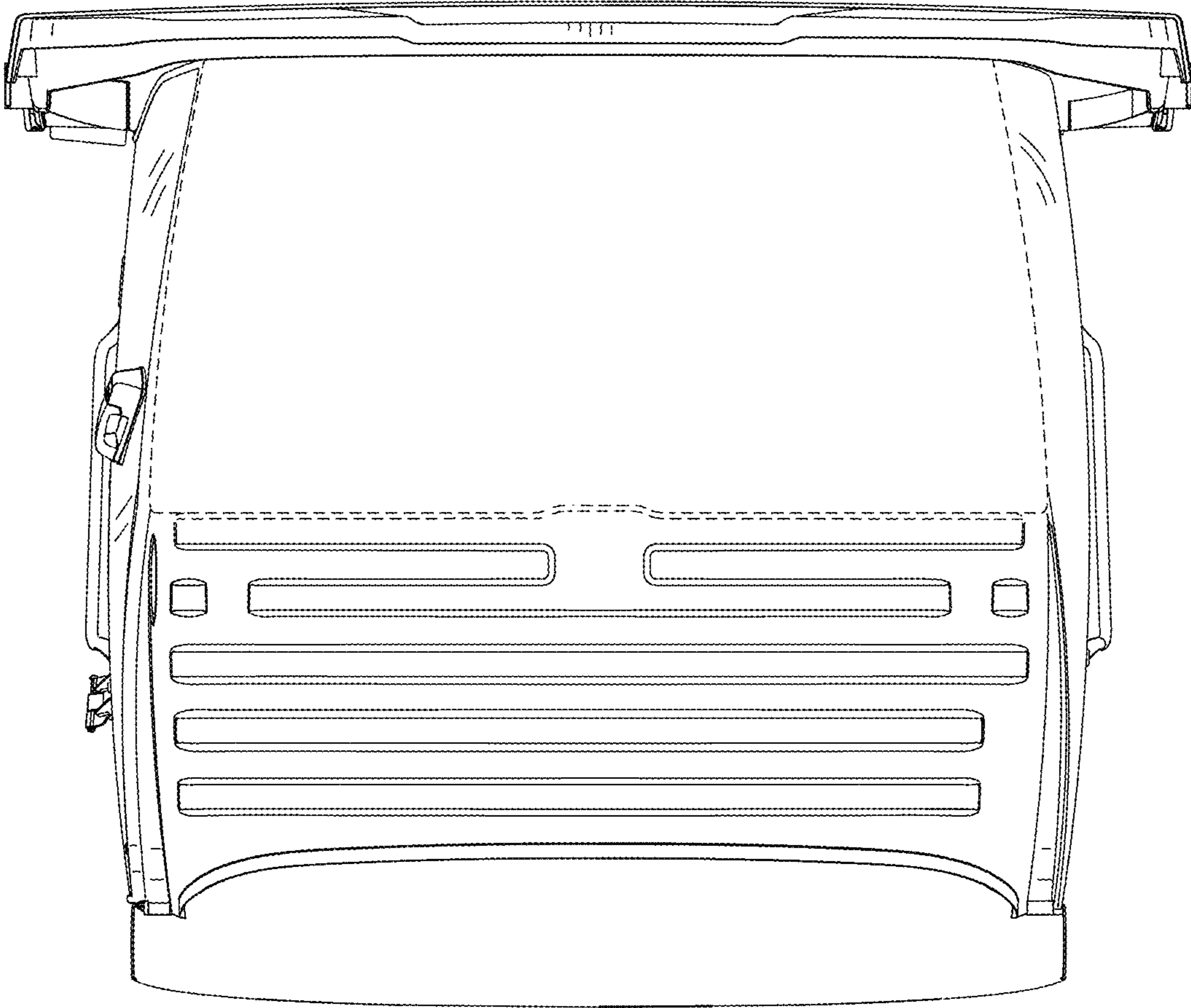


FIG. 33

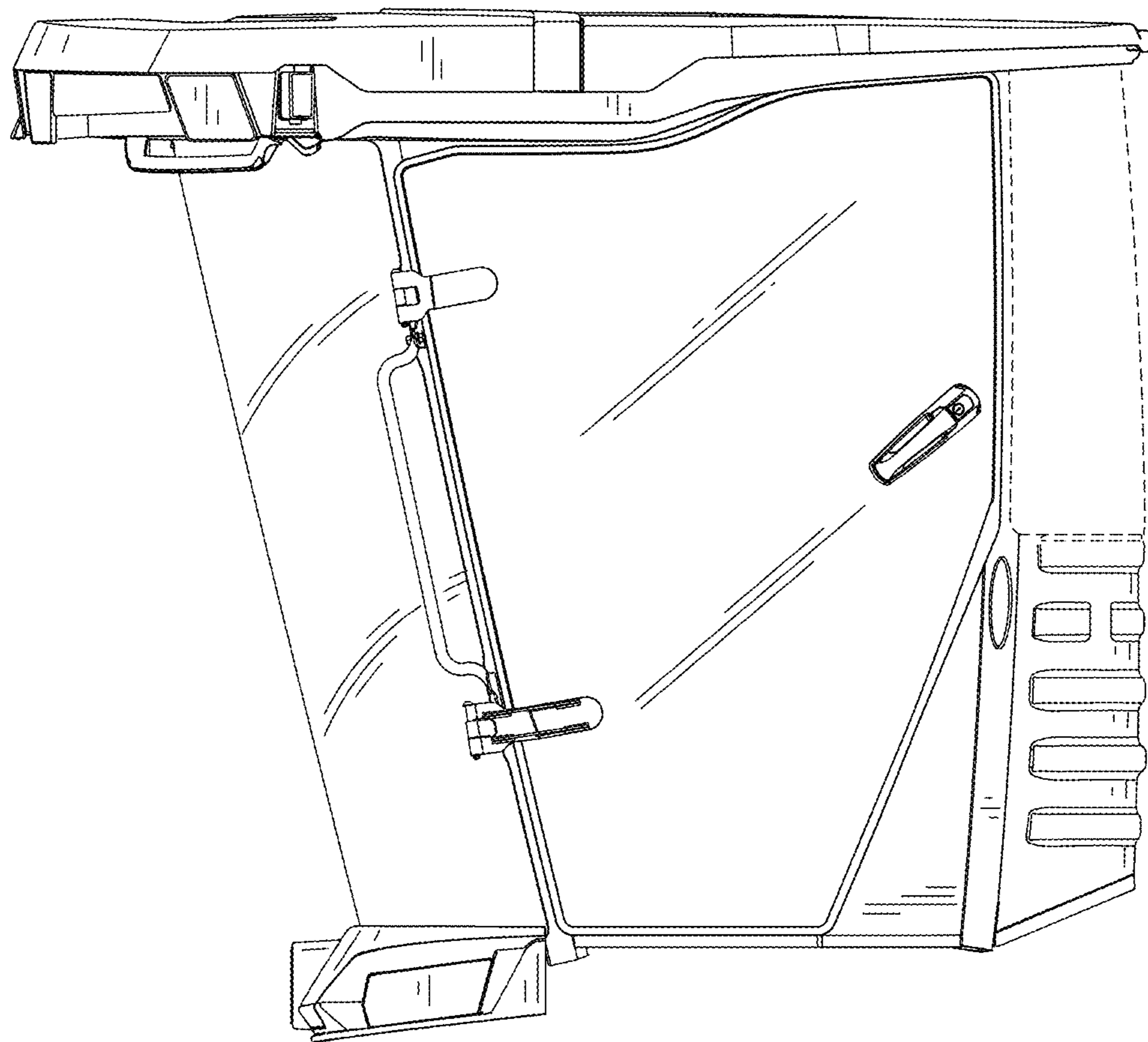


FIG. 34

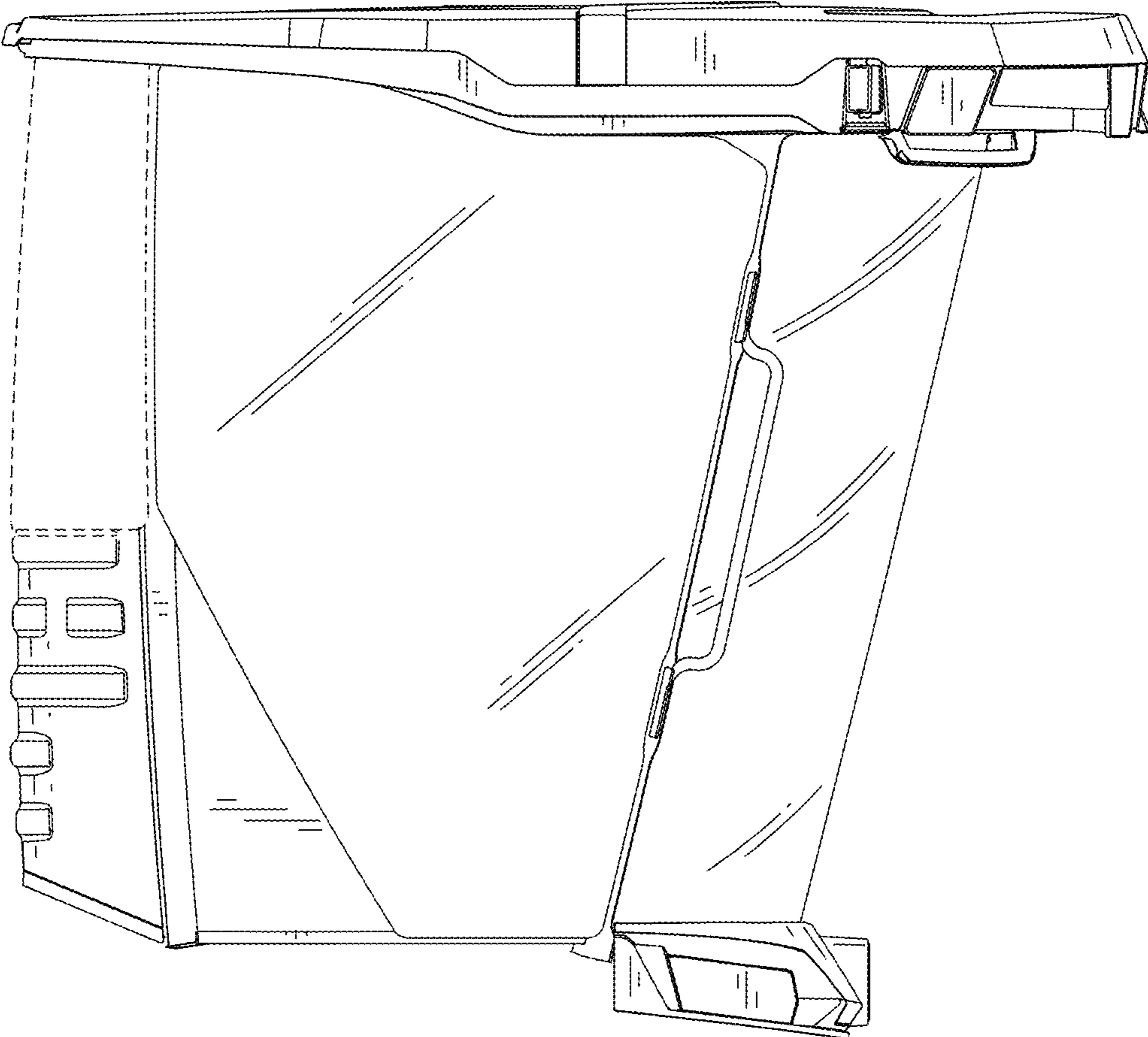


FIG. 35

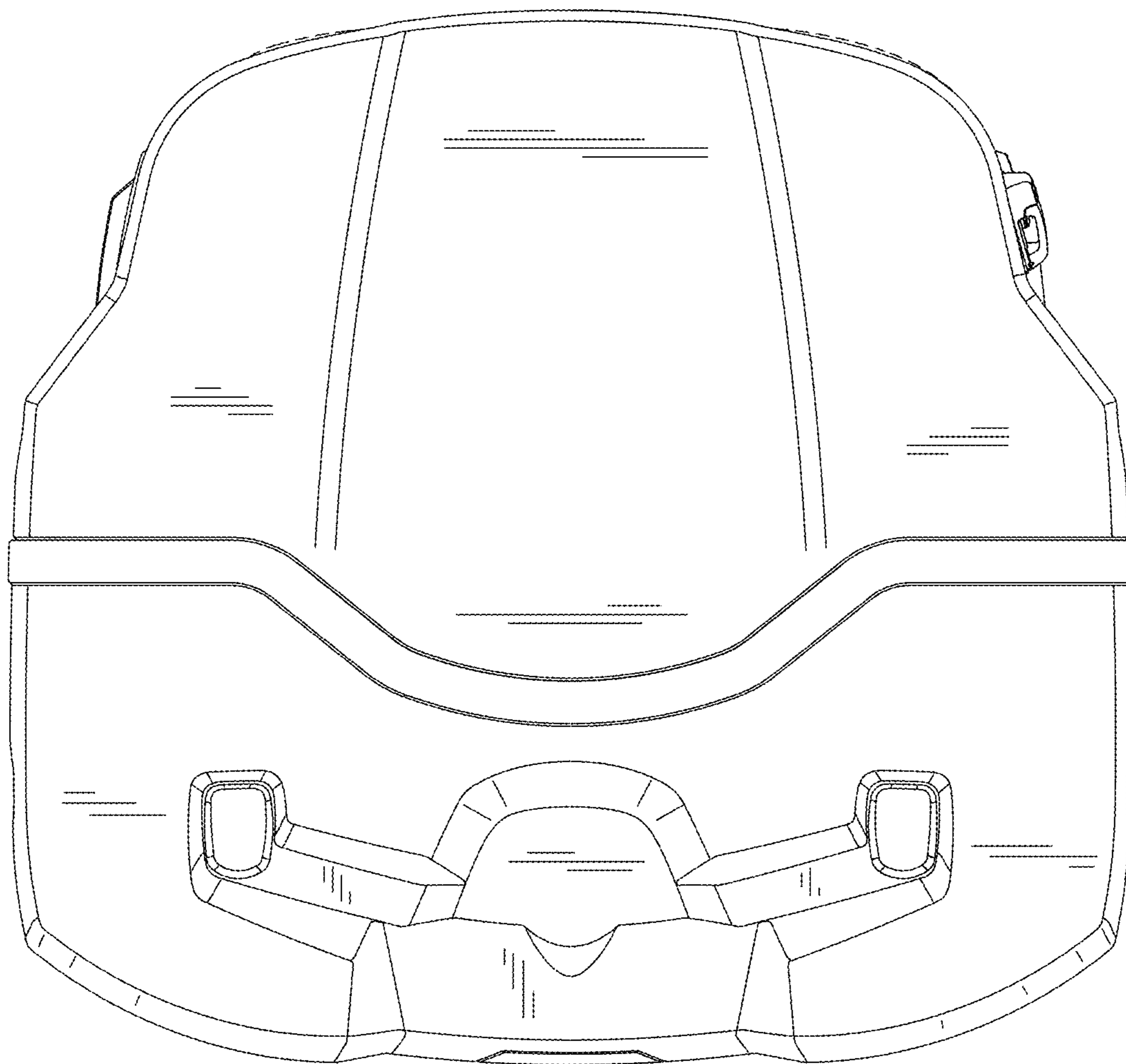


FIG. 36

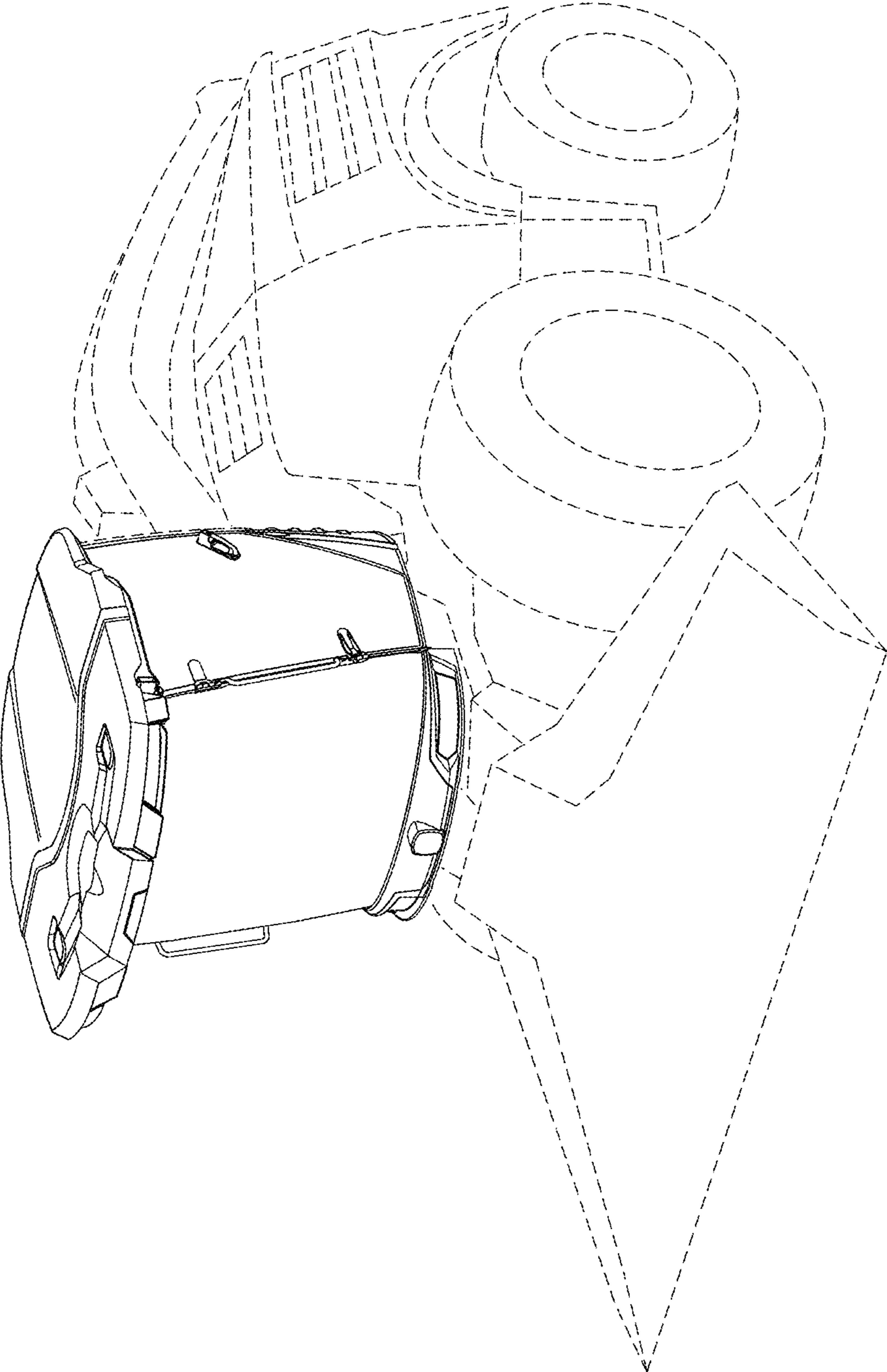


FIG. 37

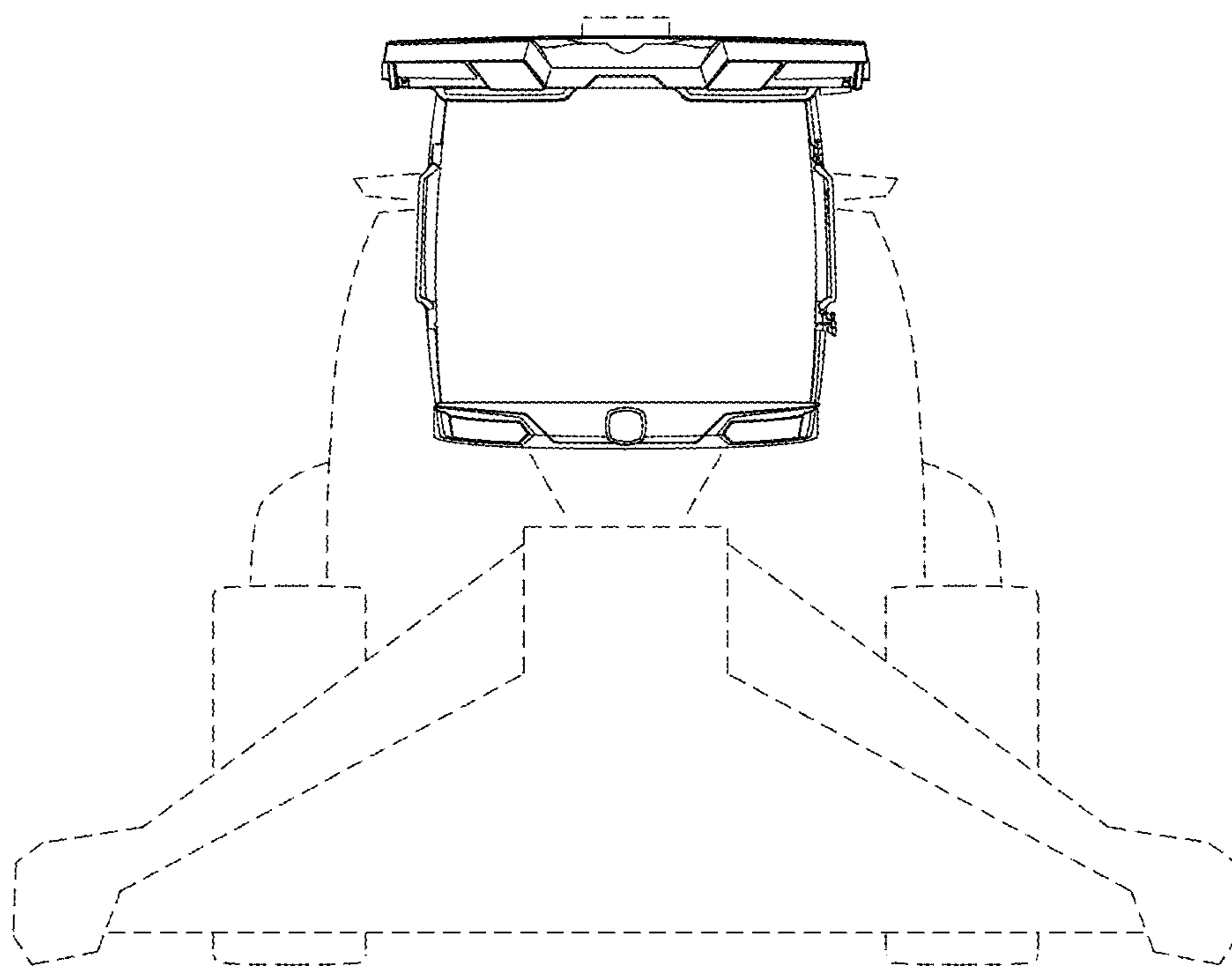


FIG. 38

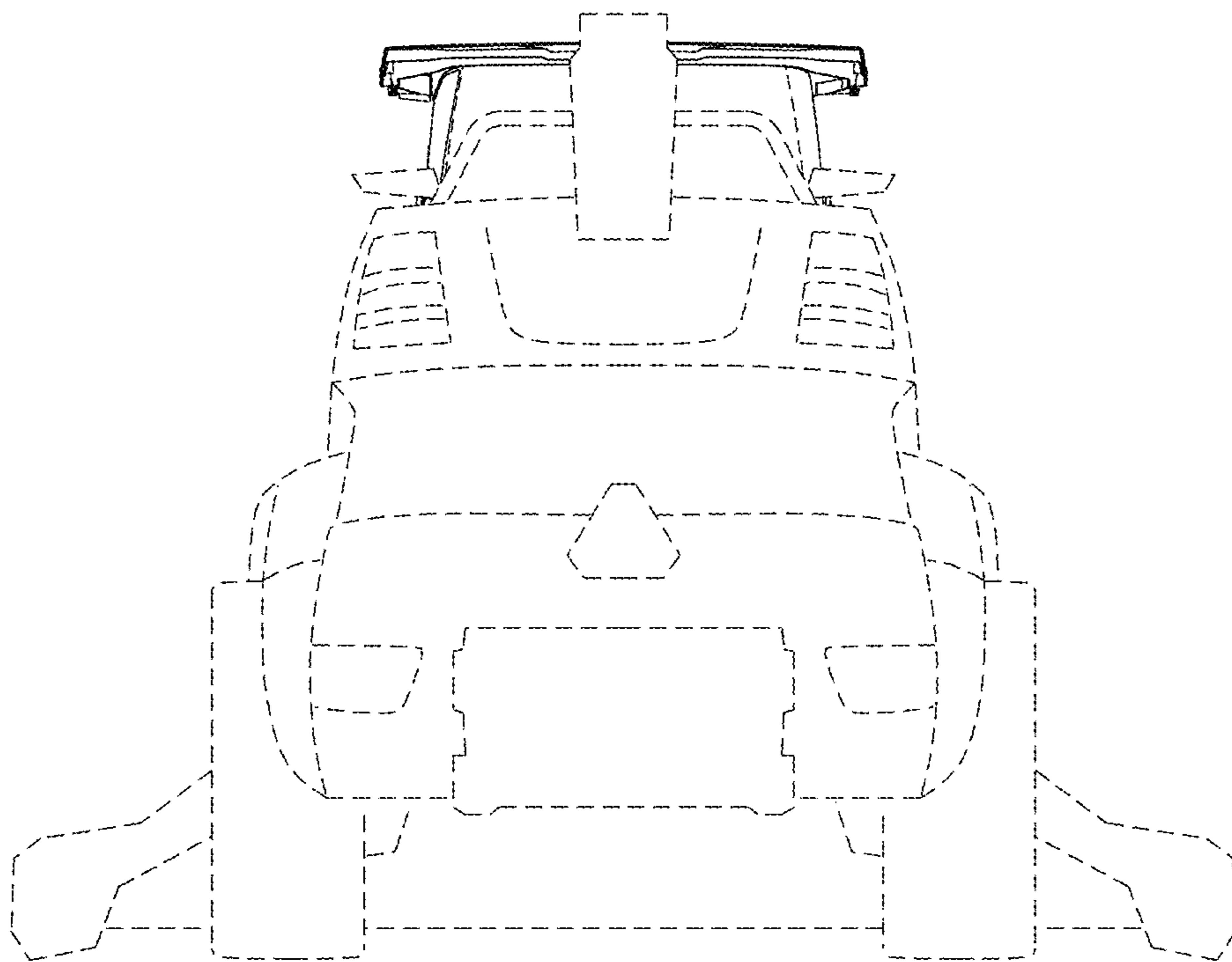


FIG. 39

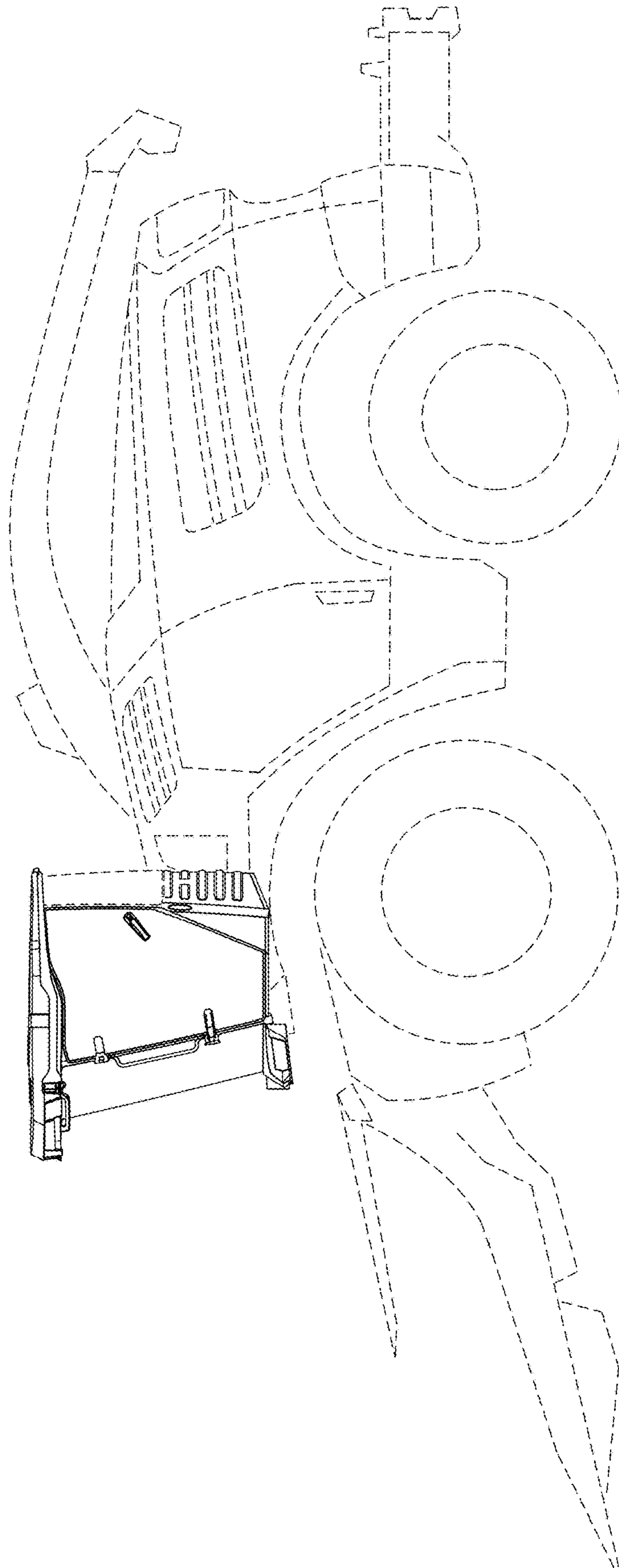


FIG. 40

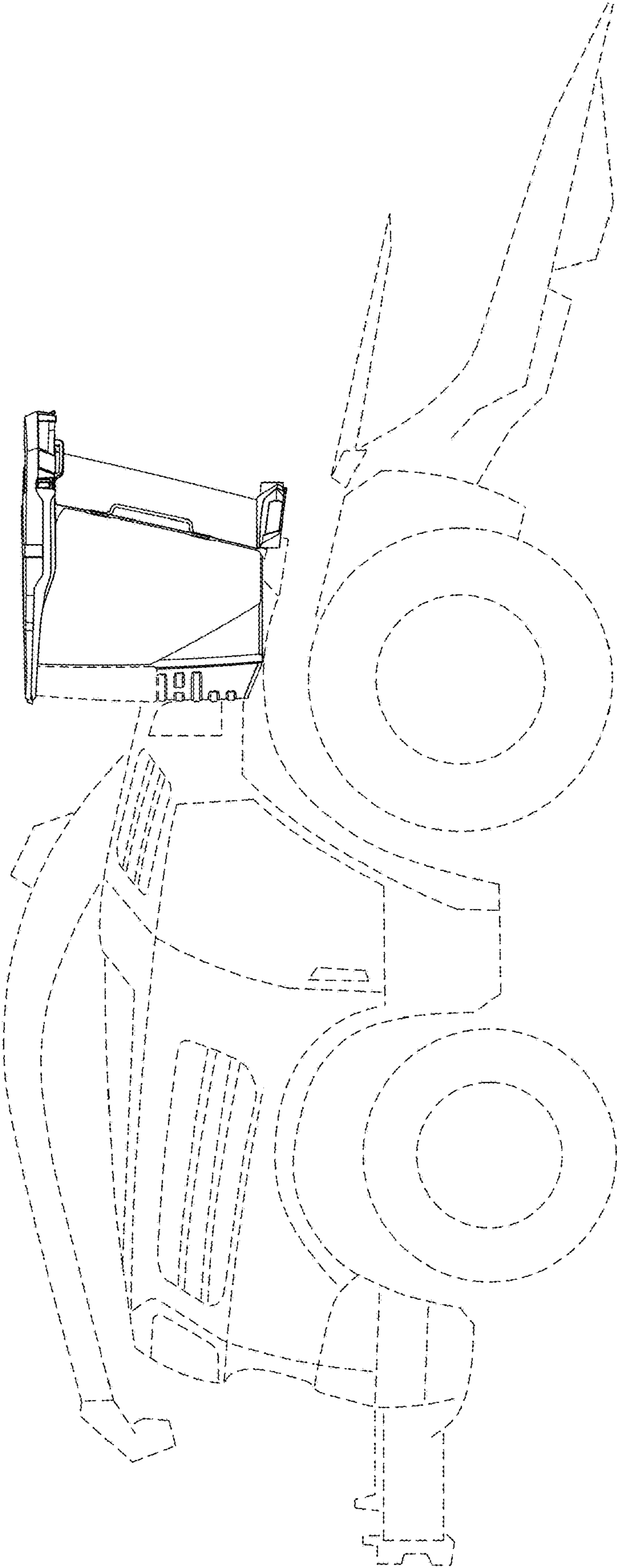
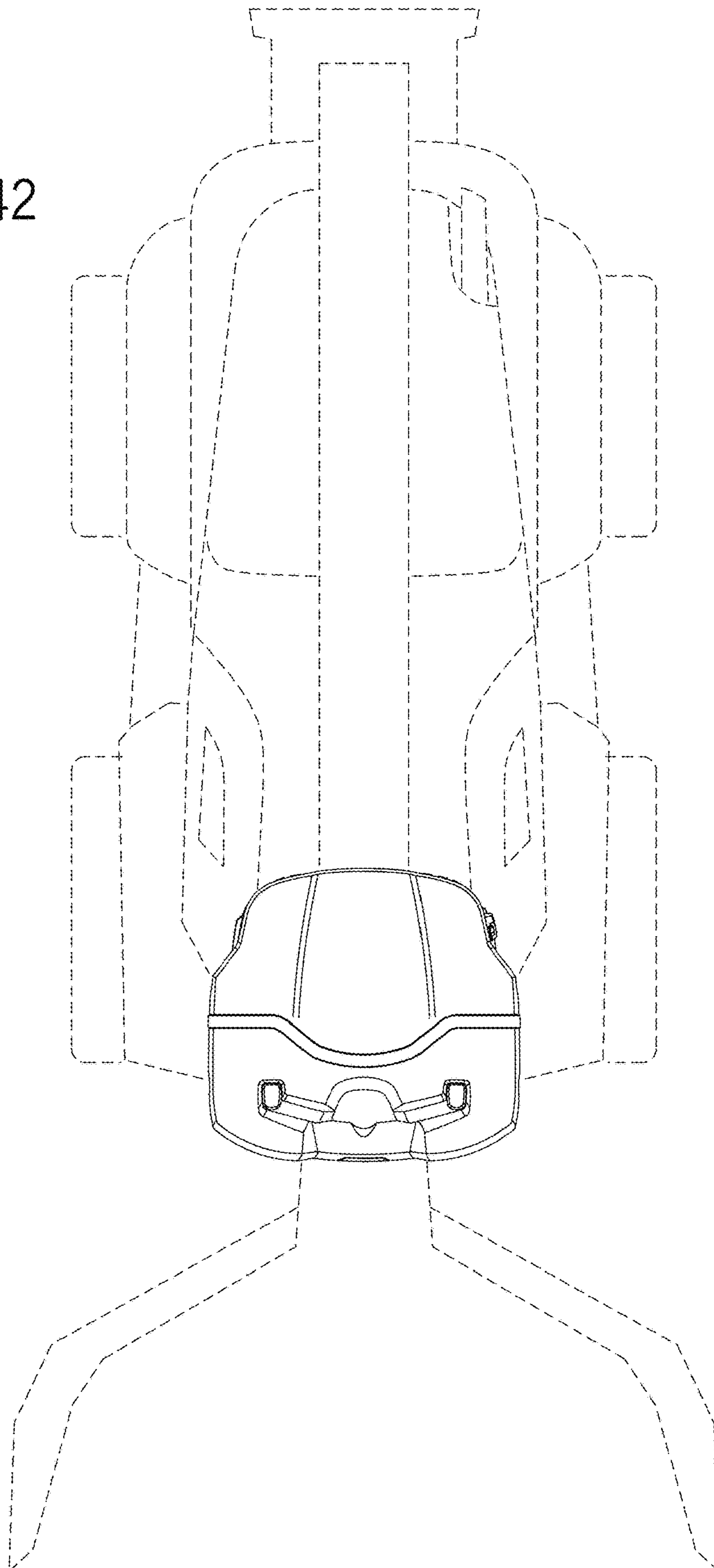


FIG. 41

FIG. 42



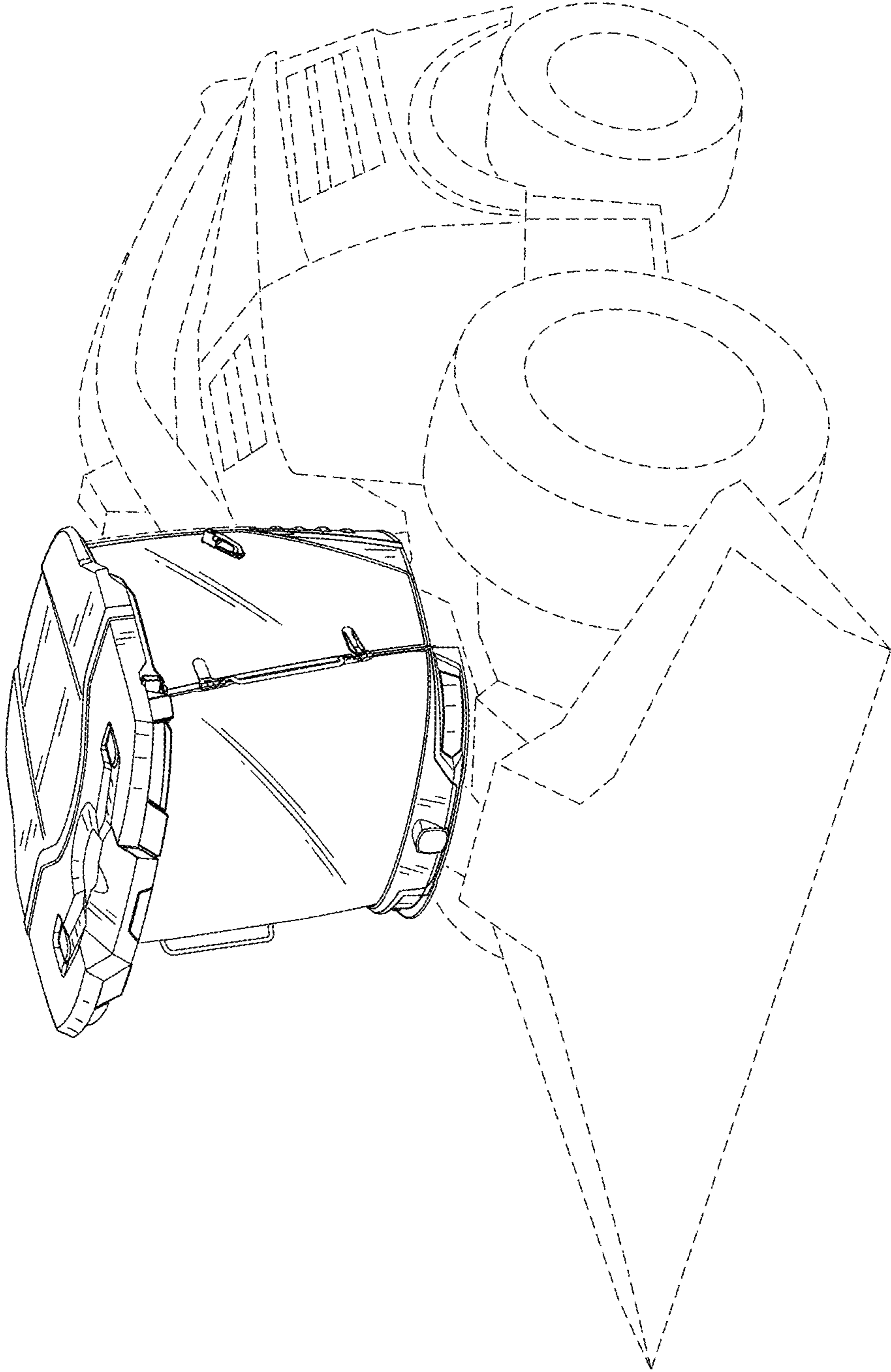


FIG. 43

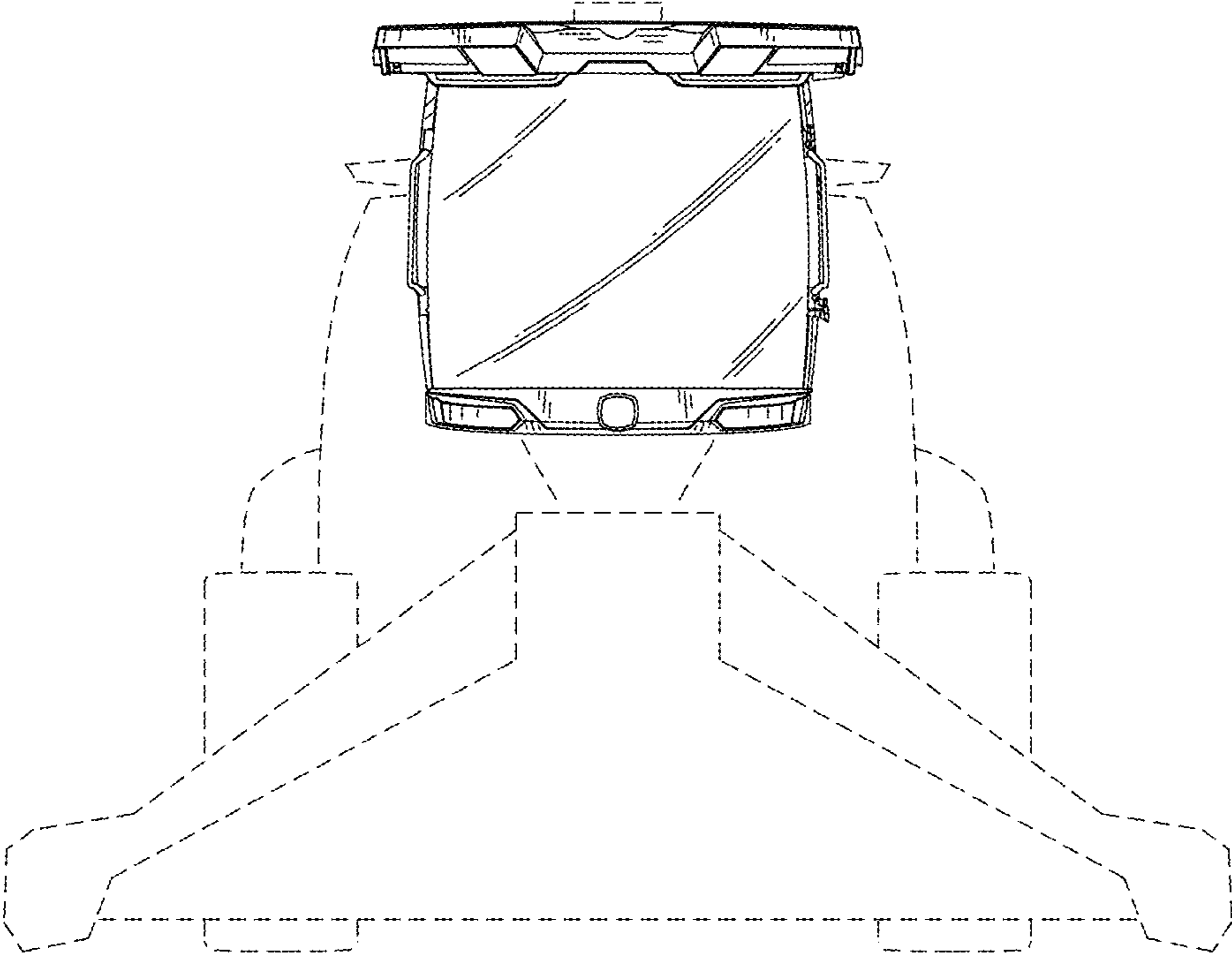


FIG. 44

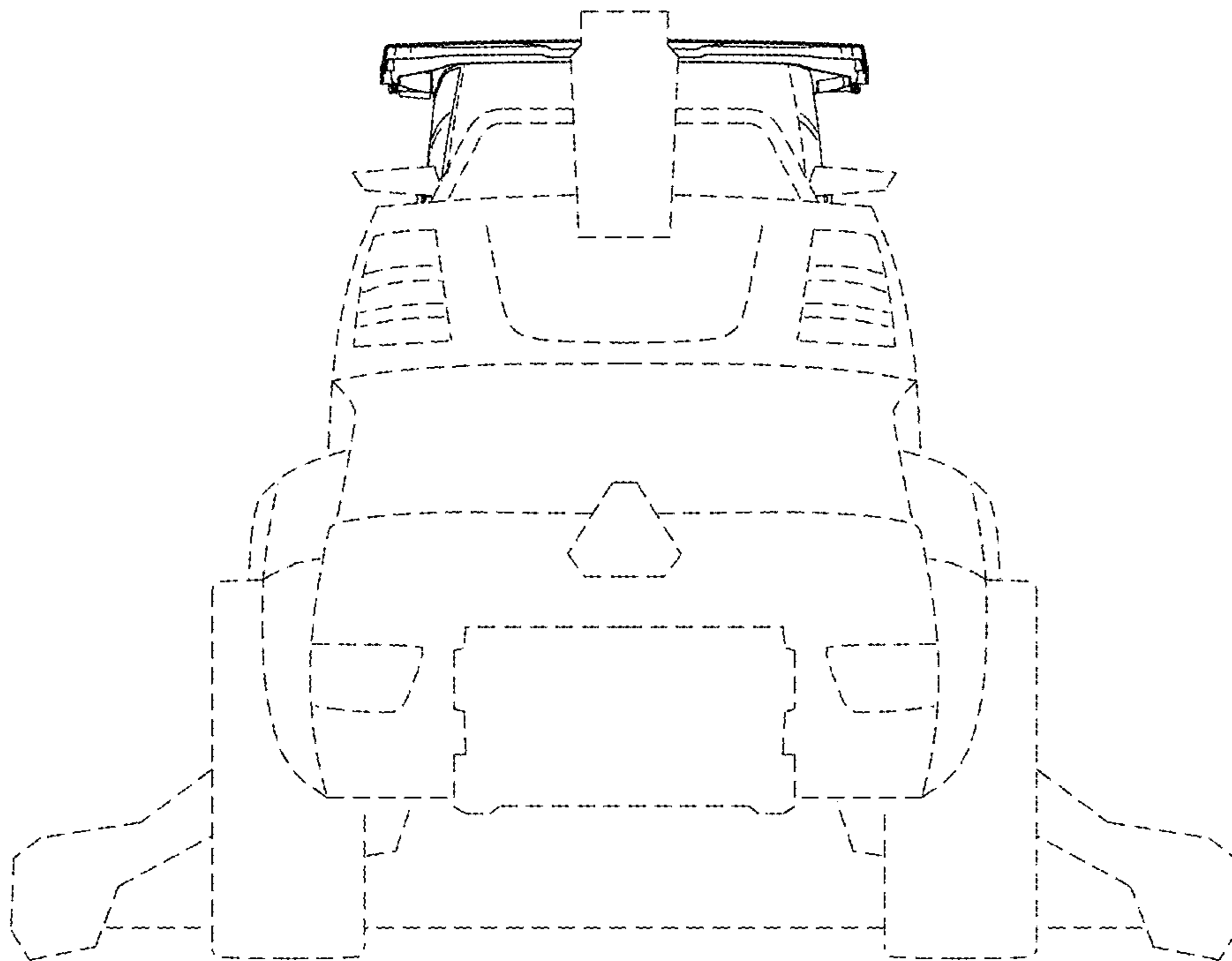


FIG. 45

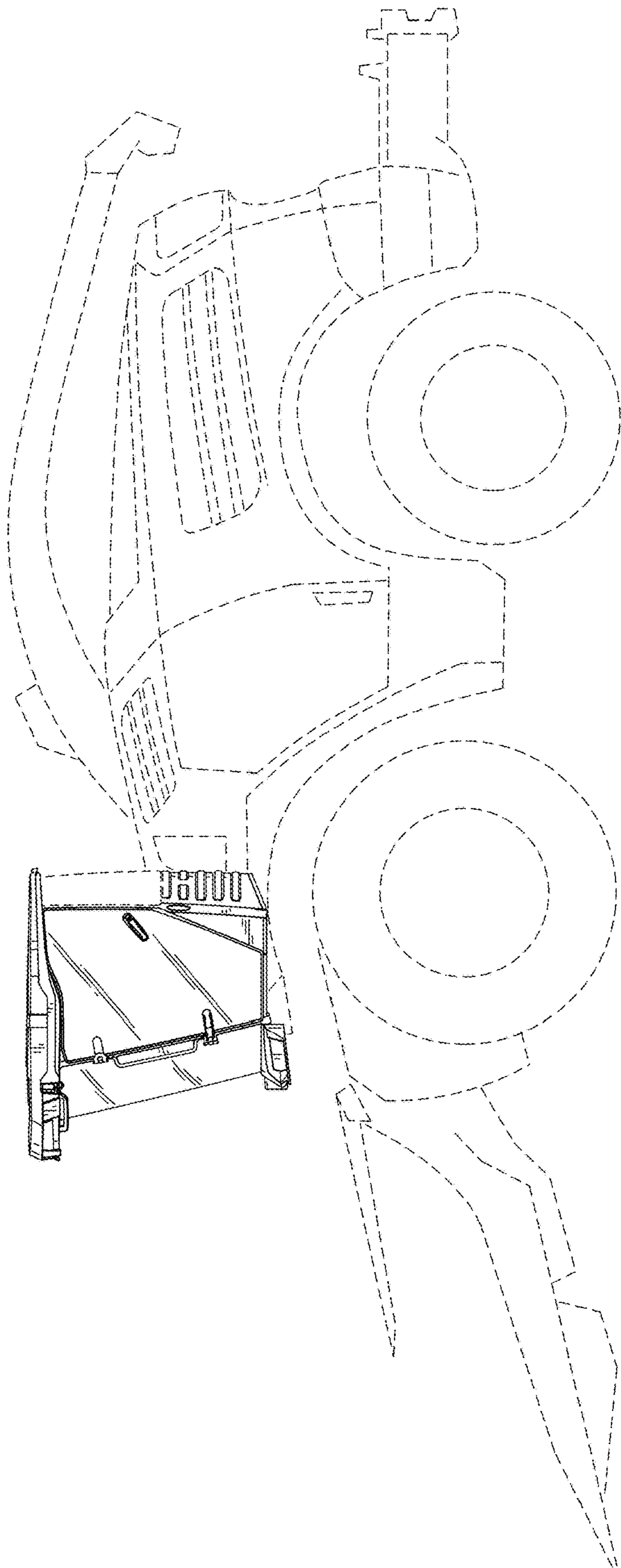


FIG. 46

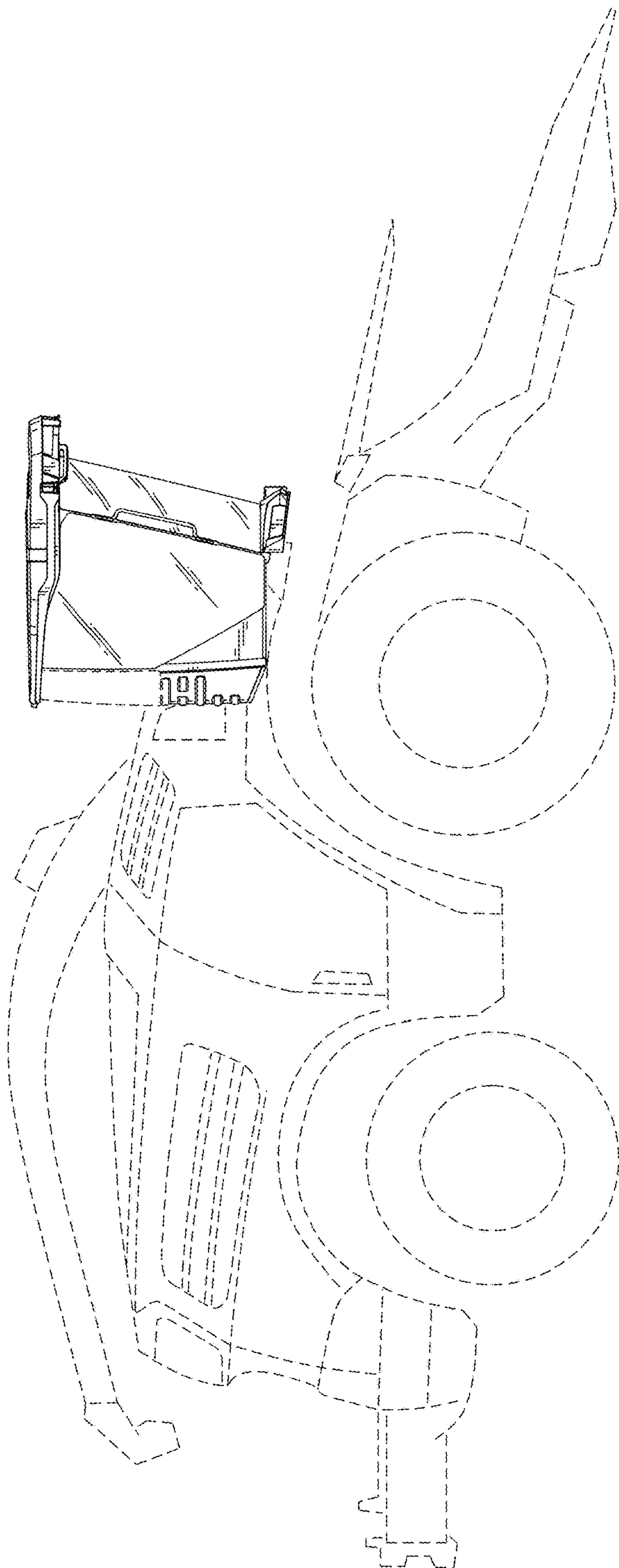


FIG. 47

FIG. 48

