

US00D936113S

(12) **United States Design Patent** (10) **Patent No.:** **US D936,113 S**
Hemry et al. (45) **Date of Patent:** **** Nov. 16, 2021**

(54) **CABIN OF A RECLAIMER**

(56) **References Cited**

(71) Applicant: **CATERPILLAR PAVING PRODUCTS INC.**, Brooklyn Park, MN (US)

U.S. PATENT DOCUMENTS

(72) Inventors: **Michael S. Hemry**, Maple Grove, MN (US); **Federico B. Rio**, Dunlap, IL (US); **Jason W. Muir**, Andover, MN (US); **Zachary J. Vrchota**, Brooklyn Park, MN (US); **Roger Hedlund**, Champlin, MN (US); **Brian Schlenker**, Shoreview, MN (US)

D148,963 S 3/1948 Stevens
3,270,633 A * 9/1966 Holland E01C 19/4813
404/128

D277,676 S 2/1985 Neal
D278,822 S 5/1985 Neal
4,535,860 A * 8/1985 Waggoner E02F 9/02
180/21

4,933,853 A 6/1990 Musiil et al.
5,046,888 A 9/1991 King
5,201,603 A 4/1993 Bassett et al.

(Continued)

(73) Assignee: **Caterpillar Paving Products Inc.**, Brooklyn Park, MN (US)

Primary Examiner — Mark A Goodwin
Assistant Examiner — Benjamin M Weeks
(74) *Attorney, Agent, or Firm* — Finnegan, Henderson, Farabow, Garrett & Dunner, LLC

(**) Term: **15 Years**

(57) **CLAIM**

(21) Appl. No.: **29/740,547**

The ornamental design for a cabin of a reclaimer, as shown and described.

(22) Filed: **Jul. 6, 2020**

DESCRIPTION

Related U.S. Application Data

(63) Continuation of application No. 29/691,280, filed on May 15, 2019, now Pat. No. Des. 897,376.

(51) **LOC (13) Cl.** **15-03**

(52) **U.S. Cl.**
USPC **D15/30**

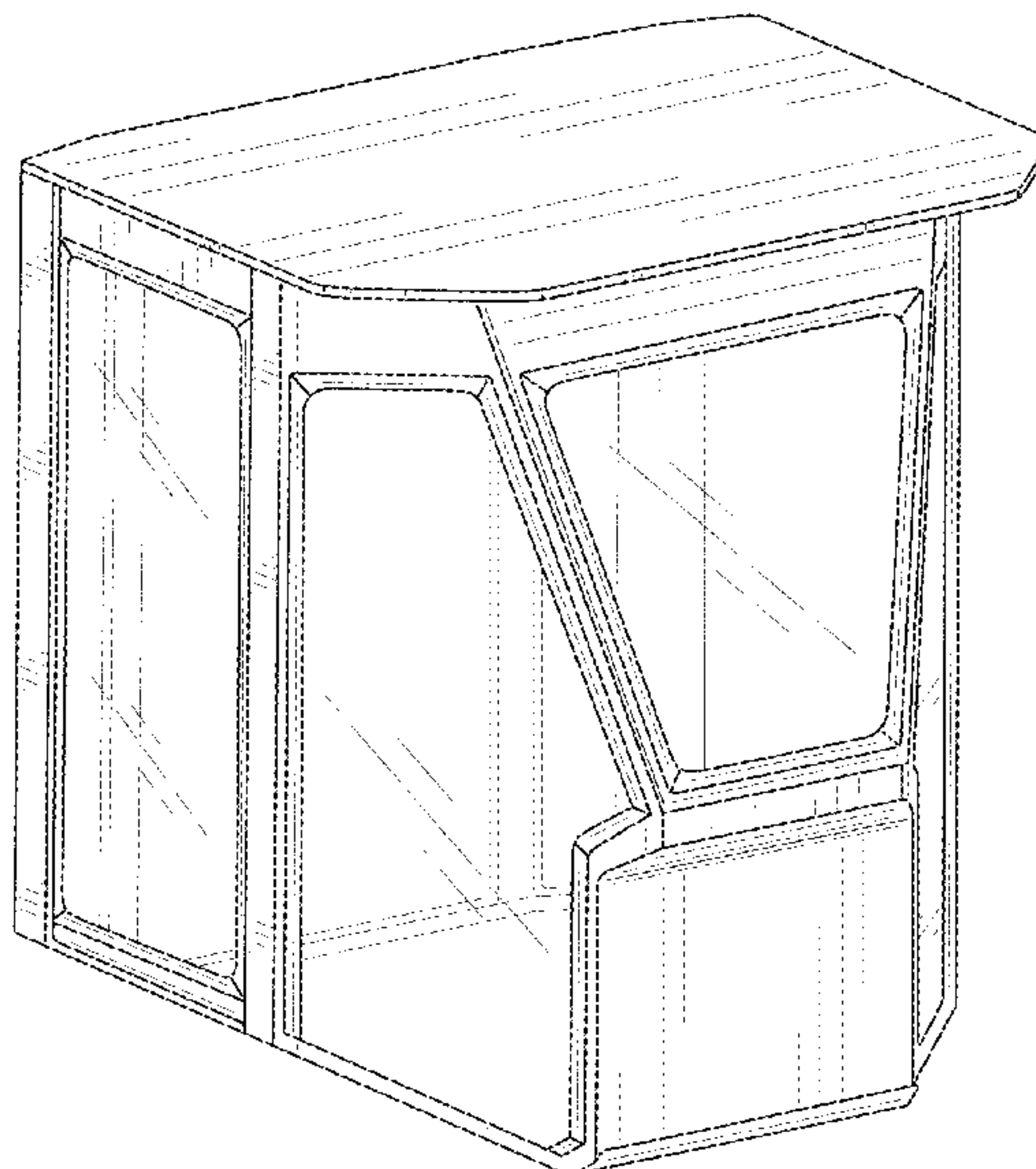
(58) **Field of Classification Search**
USPC D15/30, 10, 22–26, 28, 19, 124, 125,
D15/126, 138–139

CPC E02F 3/32; E02F 3/76; E02F 3/40; E02F 3/325; E02F 3/352; E02F 3/384; E02F 3/425; E02F 3/437; E02F 3/627; E02F 3/964; E02F 9/163; E02F 9/0858; E02F 9/2045; E02F 9/006; E02F 9/0808; E02F 9/0833; E02F 9/2004; E02F 9/207; E02F 9/2091; E02F 9/2246; E02F 9/2292
See application file for complete search history.

FIG. 1 is a front, top, left perspective view of a cabin of a reclaimer showing the new design;
FIG. 2 is a rear, top, right perspective view thereof;
FIG. 3 is rear, bottom, left perspective view thereof;
FIG. 4 is a front elevation view thereof;
FIG. 5 is a left side view thereof;
FIG. 6 is a right side view thereof;
FIG. 7 is a rear elevation view thereof;
FIG. 8 is a bottom plan view thereof;
FIG. 9 is a top plan view thereof; and,
FIG. 10 is another front elevation view thereof with the remainder of the reclaimer shown as unclaimed environmental subject matter.

The broken lines of even length shown in the drawings illustrate environmental structure and form no part of the claimed design.

1 Claim, 10 Drawing Sheets



(56)

References Cited

U.S. PATENT DOCUMENTS

6,074,129	A	6/2000	Nowak et al.				
6,193,437	B1 *	2/2001	Heims	E01C 19/48			
				404/101			
6,561,076	B2 *	5/2003	Hou	A01B 63/00			
				60/386			
D594,480	S *	6/2009	Gicquel	D15/30			
D607,904	S *	1/2010	Reisenauer	D15/30			
D626,152	S *	10/2010	Patkar	D15/23			
D632,308	S	2/2011	Kopacz et al.				
D638,860	S	5/2011	Kopacz et al.				
D643,858	S	8/2011	Kopacz et al.				
D650,396	S	12/2011	Ewringmann				
D652,432	S	1/2012	Kopacz et al.				
D660,882	S	5/2012	Böhme et al.				
D660,883	S	5/2012	Böhme et al.				
D668,686	S	10/2012	Lins et al.				
D672,790	S	12/2012	Kopacz et al.				
D673,981	S	1/2013	Kopacz et al.				
D678,360	S *	3/2013	Kozai	D15/30			
8,527,111	B2	9/2013	Hilmersson				
8,573,886	B1	11/2013	Taylor, Jr.				
8,591,144	B1	11/2013	Bean et al.				
8,591,145	B1	11/2013	Engel et al.				
D716,845	S *	11/2014	Hayami	D15/25			
D720,370	S *	12/2014	Carter	D15/30			
8,961,064	B2	2/2015	Ramos et al.				
8,979,423	B2	3/2015	Smieja				
8,979,425	B2	3/2015	Graham et al.				
9,028,167	B2	5/2015	Buschmann et al.				
9,580,875	B1 *	2/2017	D'Ascanio	E01C 19/48			
D835,160	S *	12/2018	Jilbert	D15/25			
D854,587	S *	7/2019	Ninomiya	D15/30			
10,422,086	B2 *	9/2019	Jorgensen	E01C 19/48			
10,480,132	B1 *	11/2019	Jennings	E01C 19/48			
D874,524	S *	2/2020	Iwata	D15/30			
D877,209	S *	3/2020	Winkel	D15/30			
D877,782	S *	3/2020	Jilbert	D15/30			
D886,162	S *	6/2020	Price	D15/30			
D896,852	S *	9/2020	Major	D15/30			
D897,376	S *	9/2020	Hemry	D15/19			
D908,145	S *	1/2021	Yaste	D15/30			
D919,674	S *	5/2021	Steiner	D15/30			

* cited by examiner

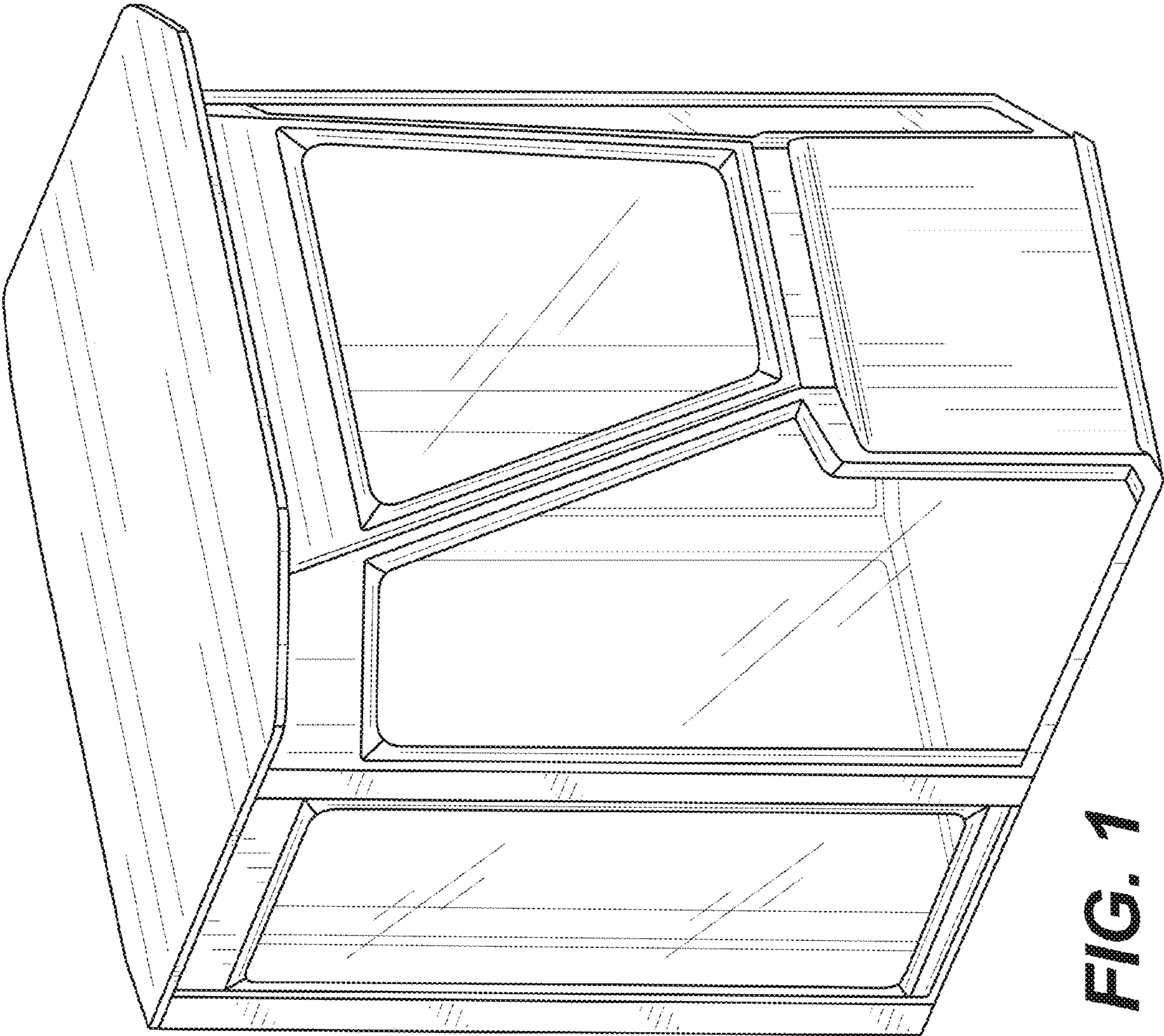


FIG. 1

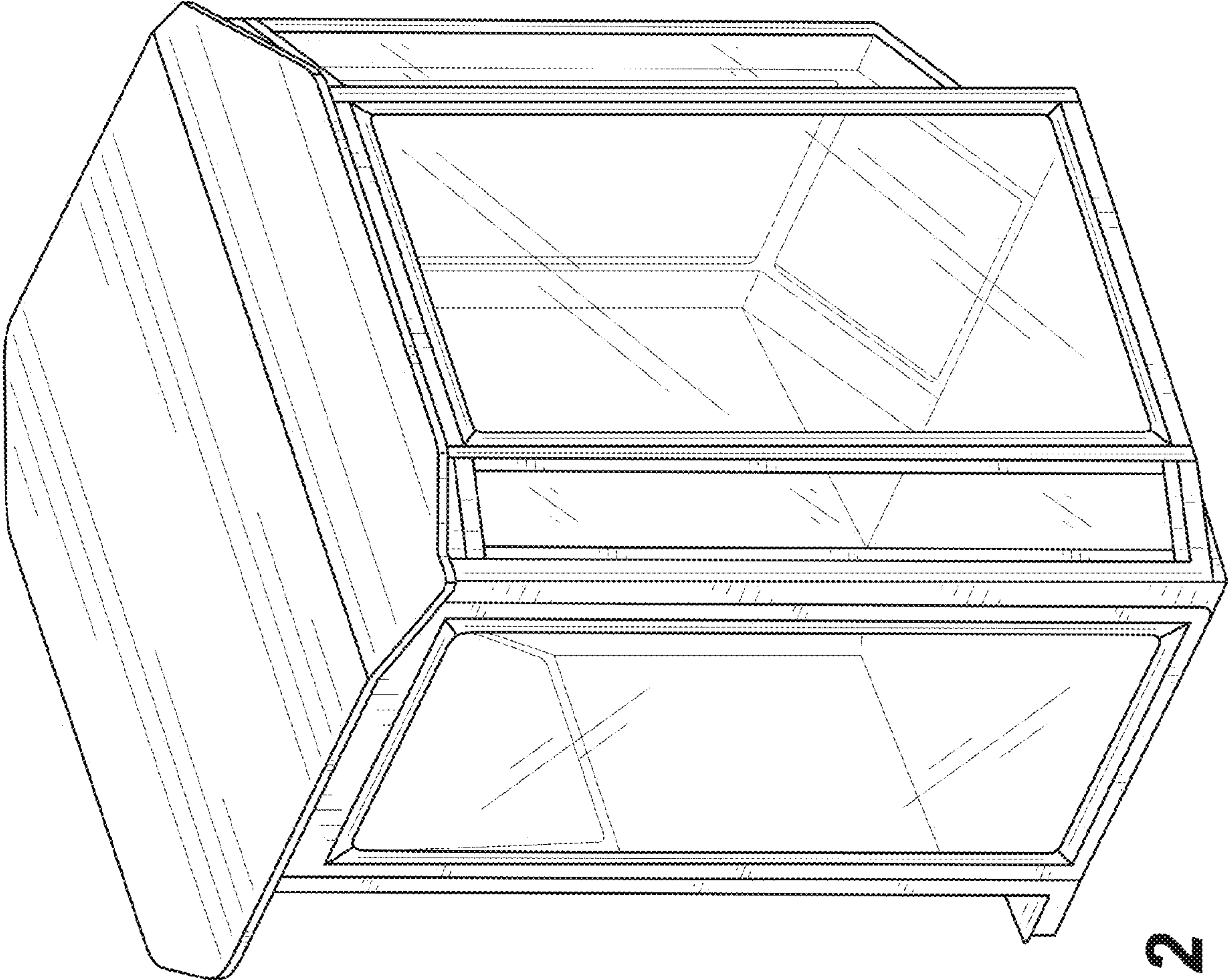


FIG. 2

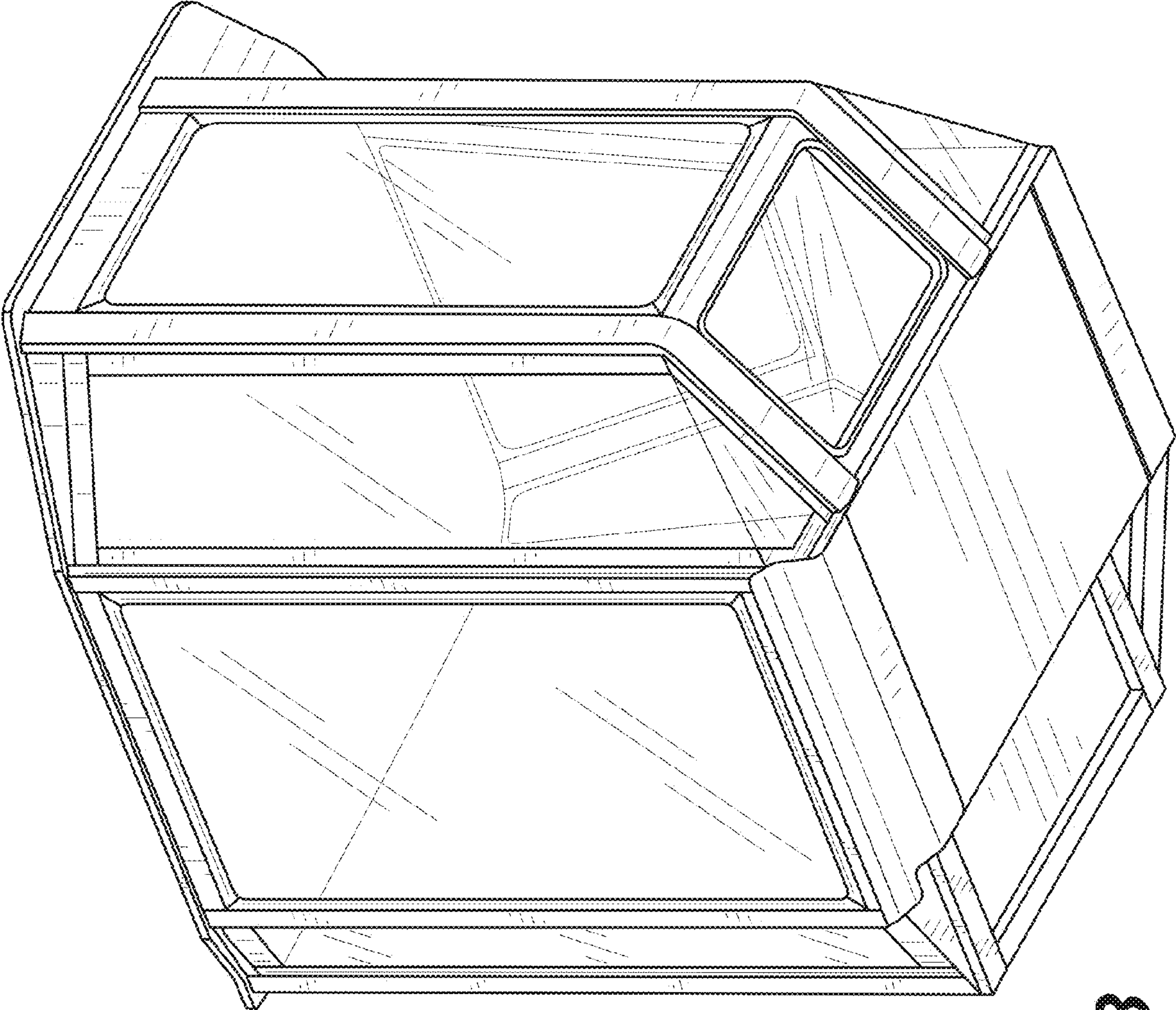


FIG. 3

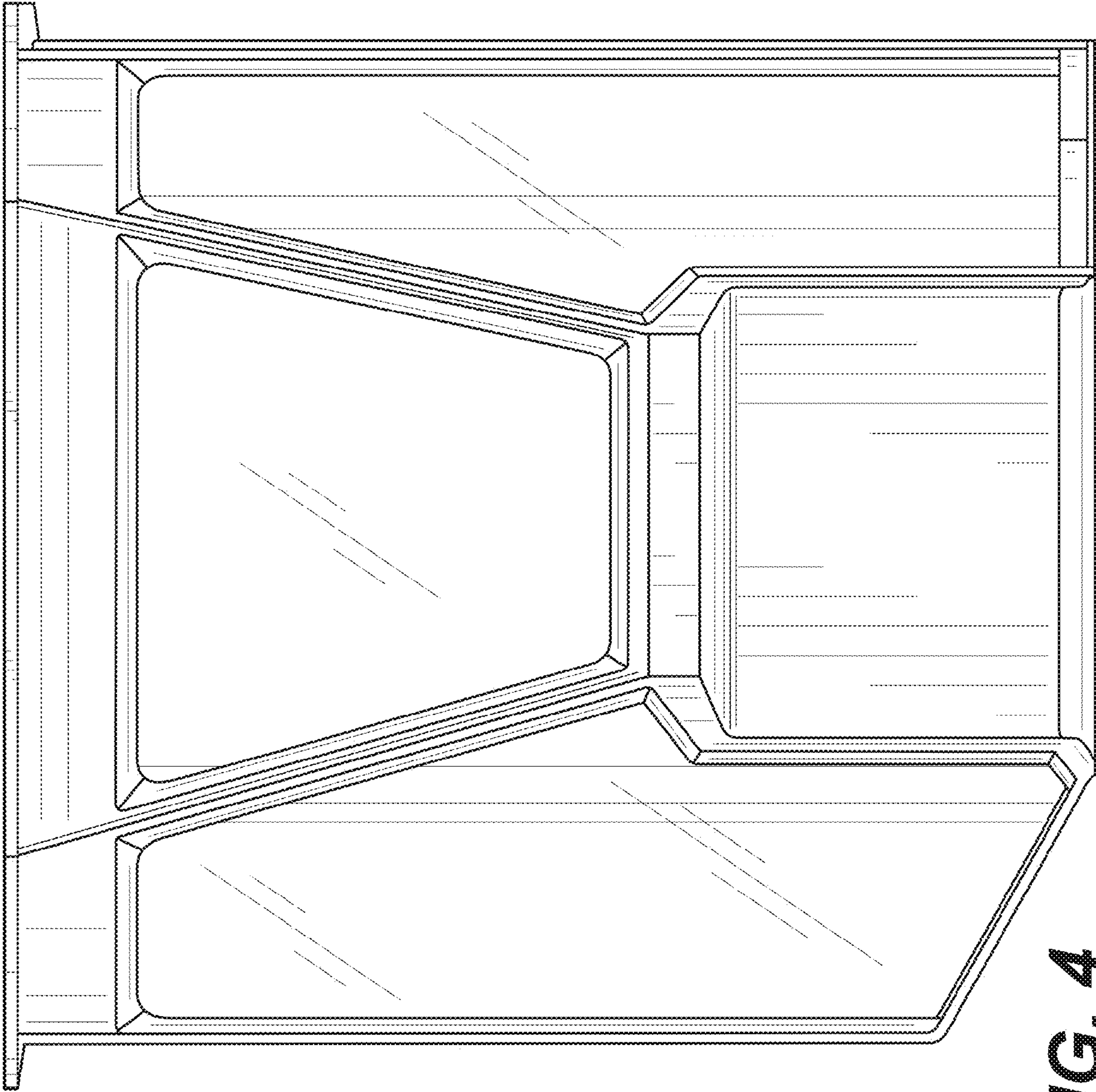


FIG. 4

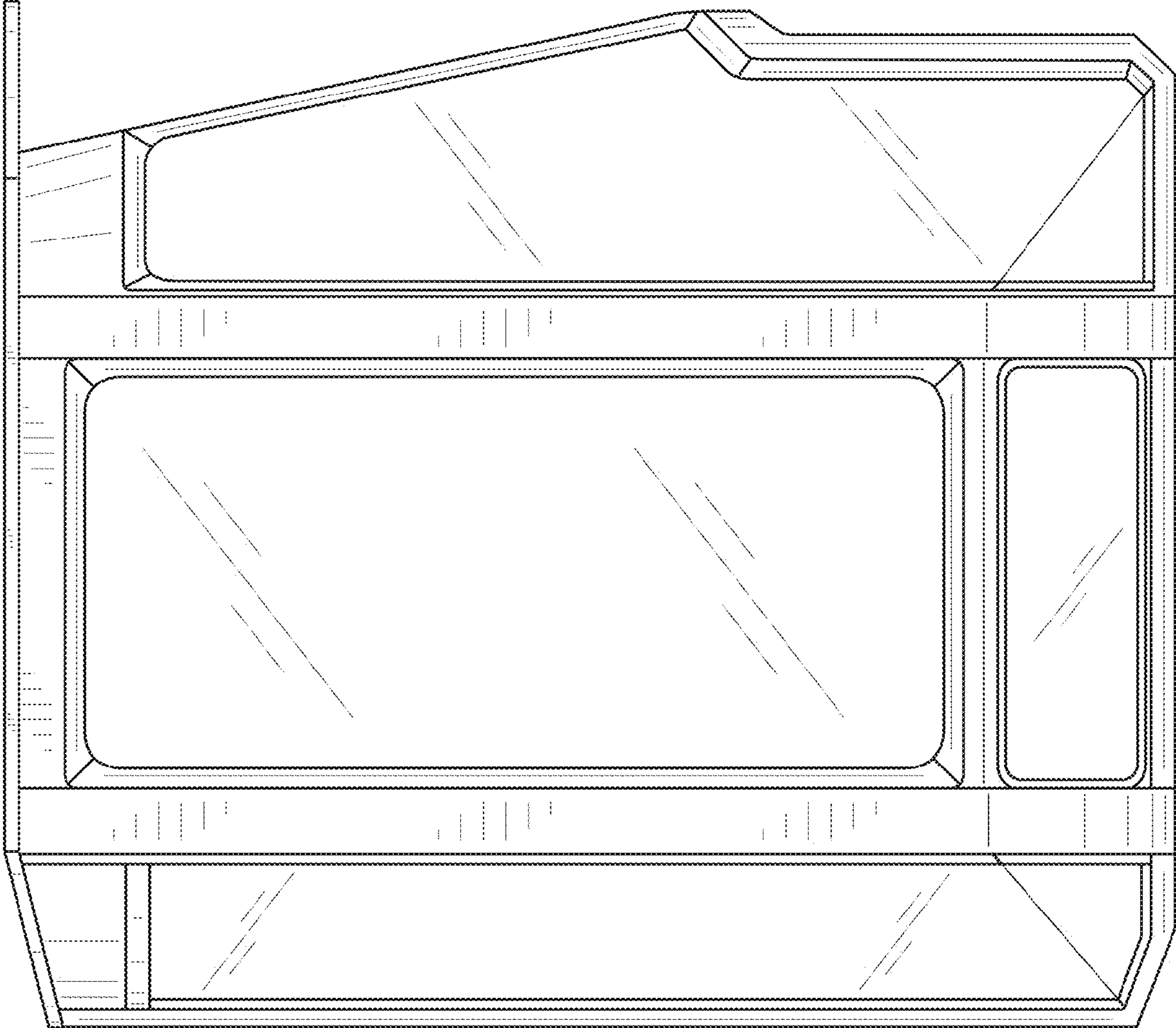


FIG. 5

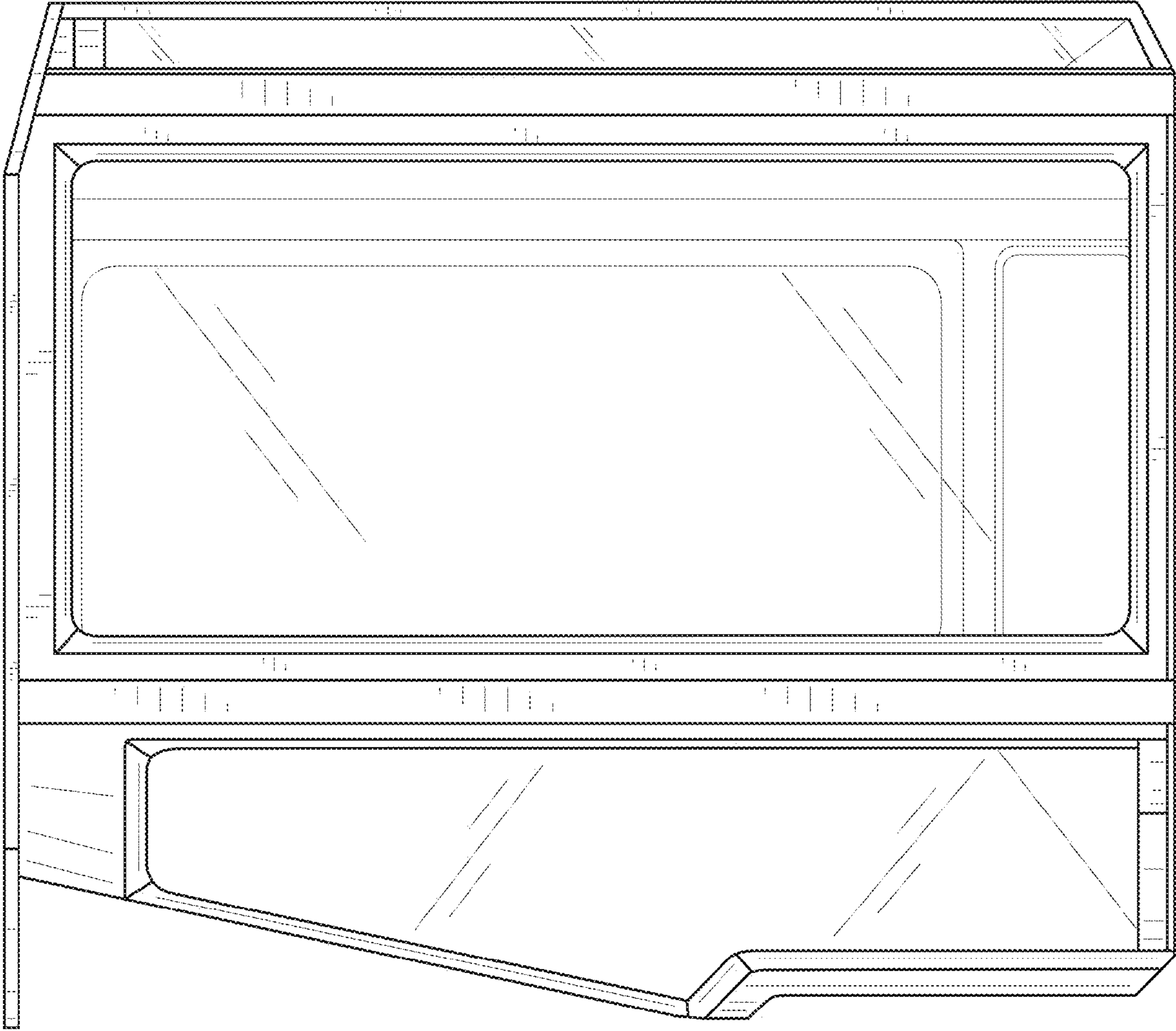


FIG. 6

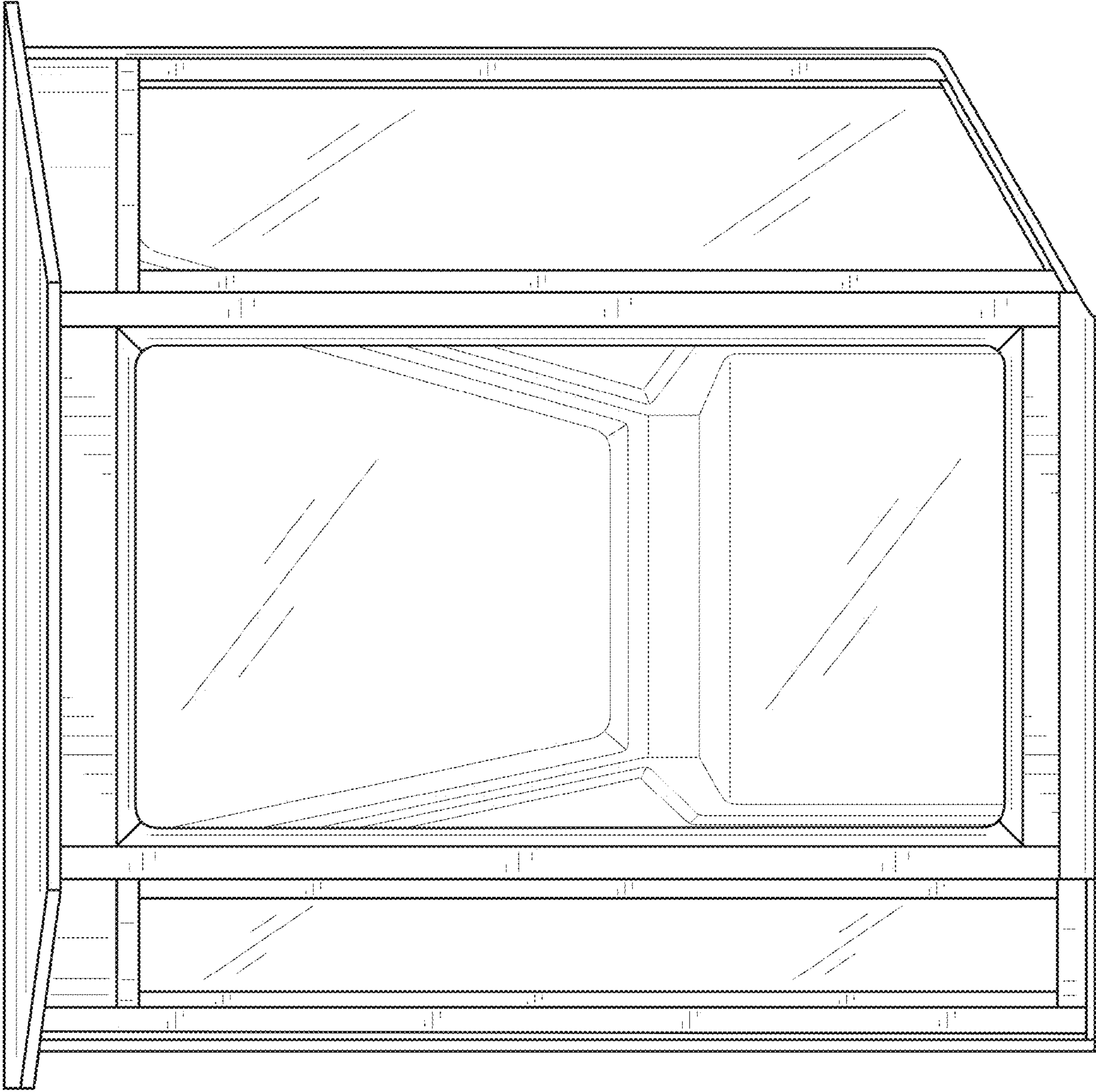


FIG. 7

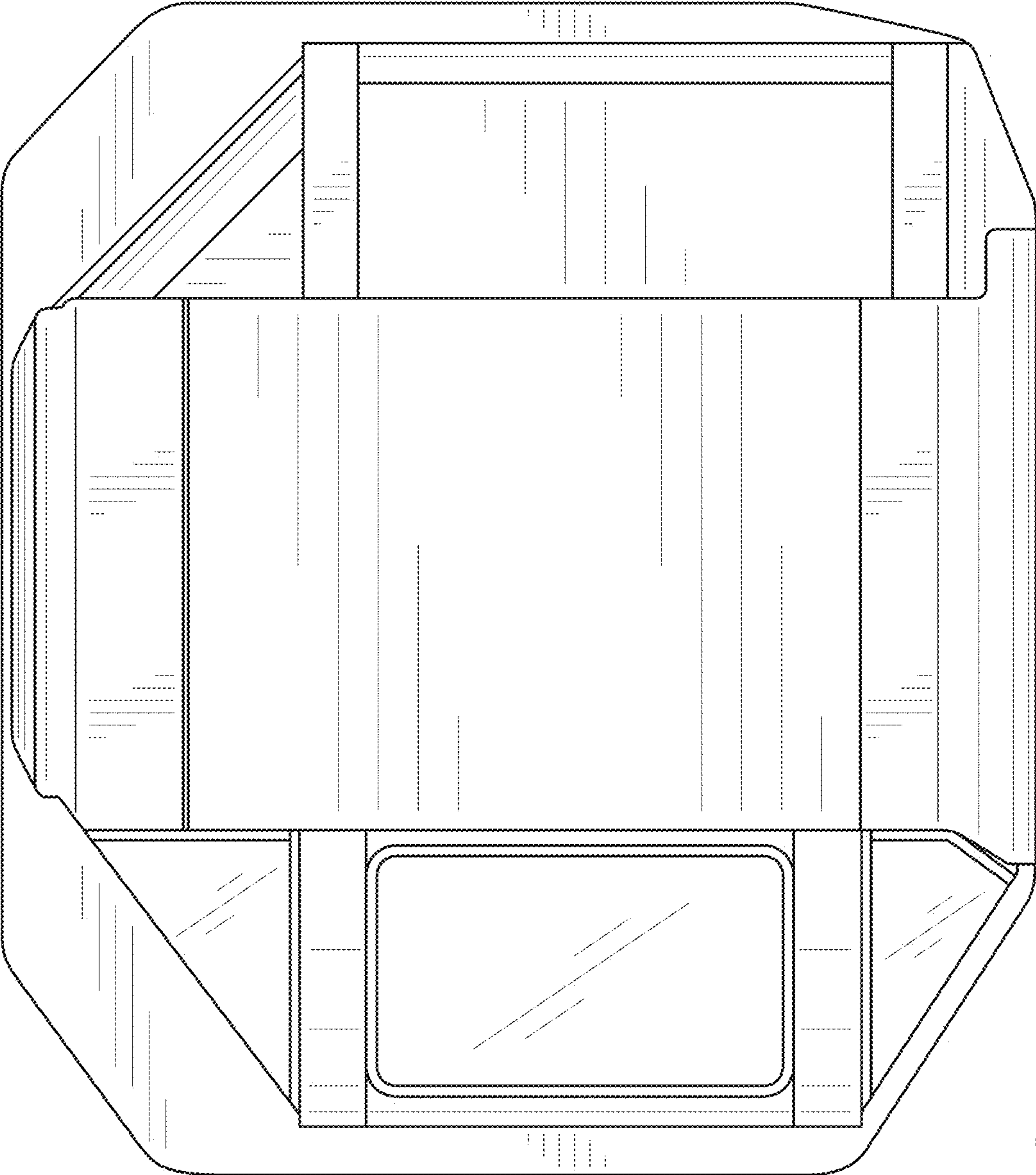


FIG. 8

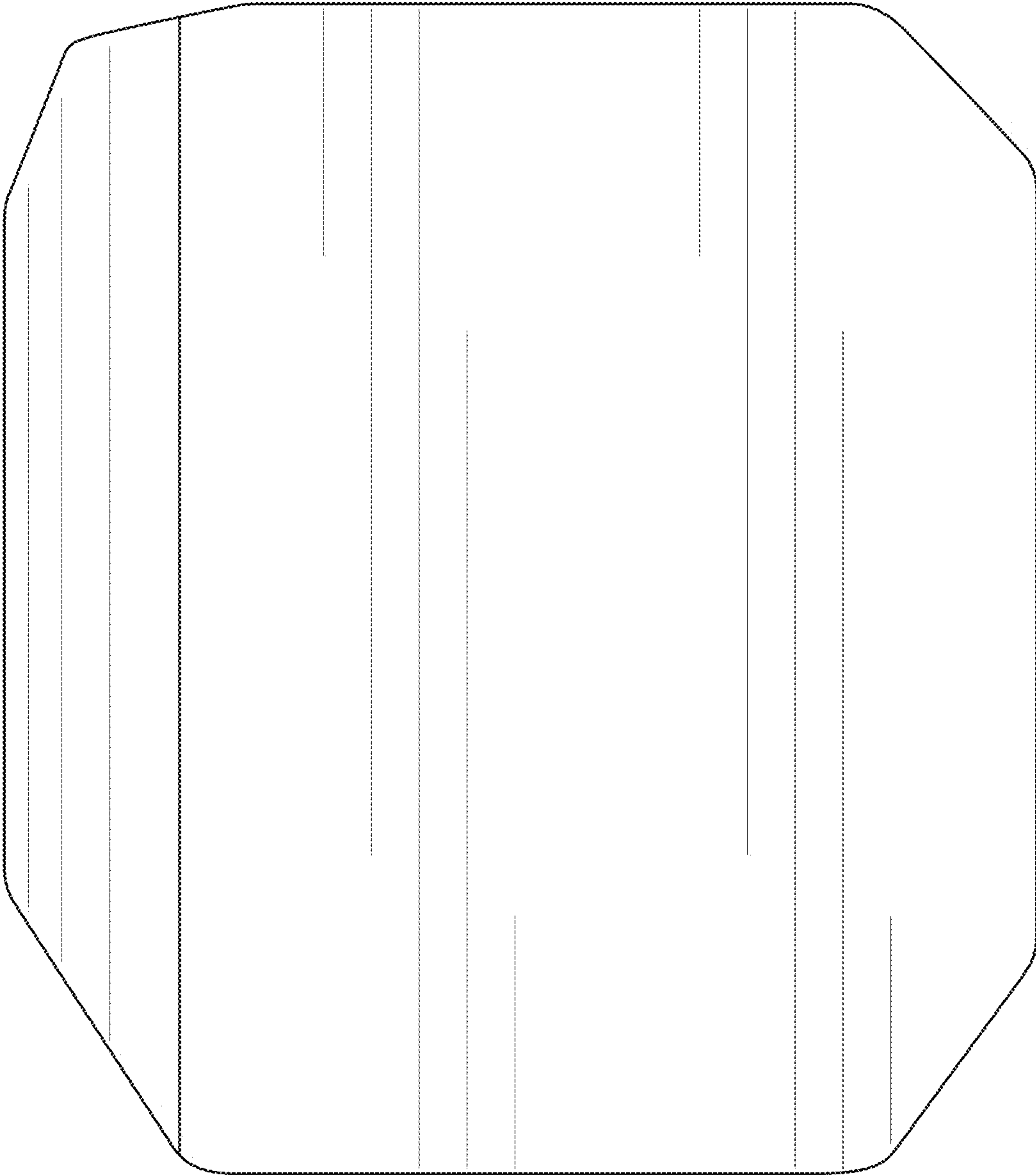


FIG. 9

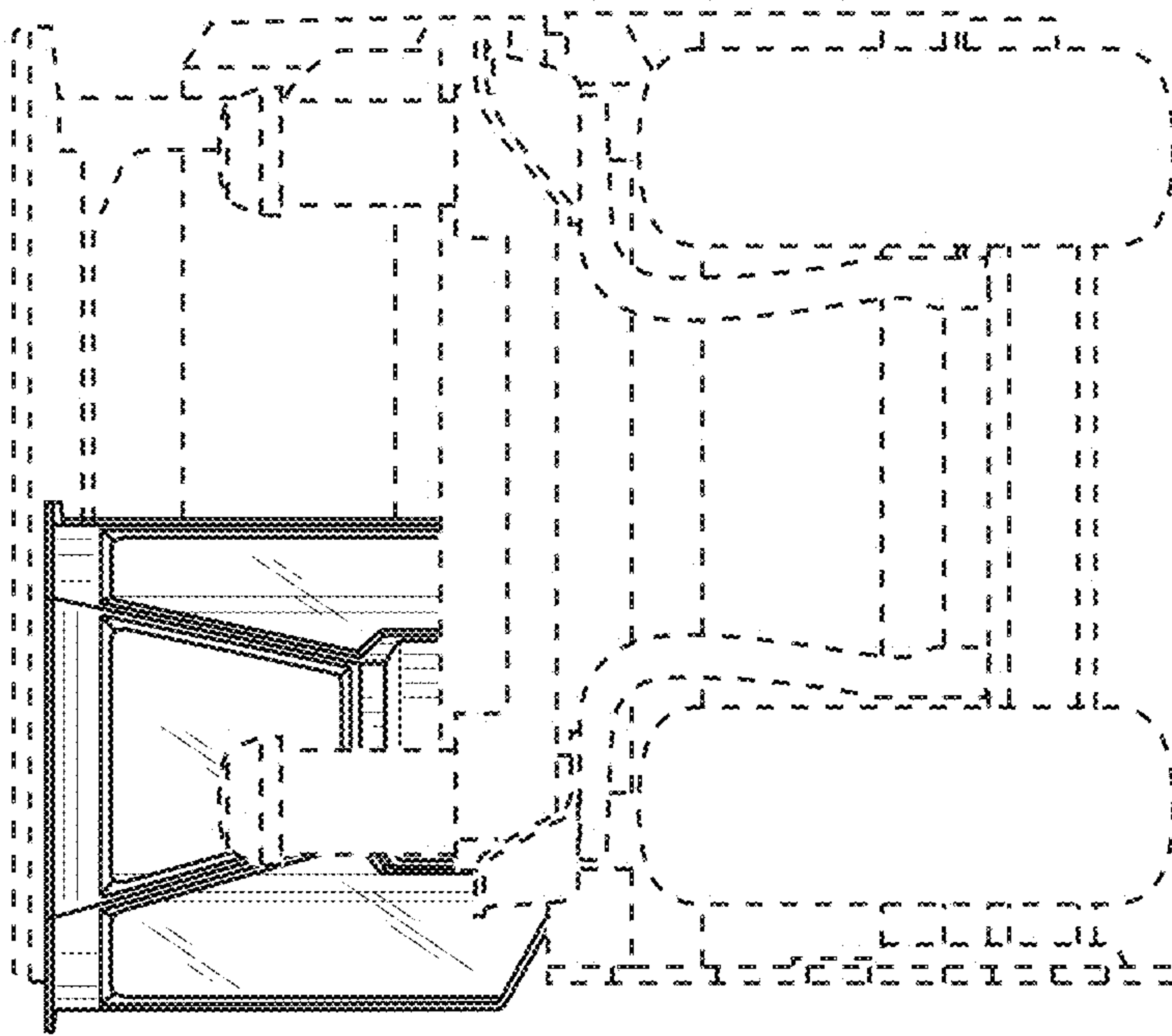


FIG. 10