



US00D936111S

(12) **United States Design Patent** (10) **Patent No.:** **US D936,111 S**
Stoldt (45) **Date of Patent:** **** Nov. 16, 2021**

(54) **PIPE LIFTING ELEVATOR EAR**
(71) Applicant: **FORUM US, INC.**, Houston, TX (US)
(72) Inventor: **Frederik Stoldt**, Hamburg (DE)
(73) Assignee: **FORUM US, INC.**, Houston, TX (US)
(**) Term: **15 Years**

(21) Appl. No.: **29/683,578**
(22) Filed: **Mar. 14, 2019**
(51) **LOC (13) Cl.** **15-04**
(52) **U.S. Cl.**
USPC **D15/21**
(58) **Field of Classification Search**
USPC D15/21, 122, 138; D34/28, 33, 34, 35,
D34/39; D8/79, 88; D12/160, 162, 179,
D12/180, 223
CPC E21B 19/02; E21B 19/06; E21B 19/07;
E21B 19/14; E21B 19/08; E21B 19/087;
F16B 21/12; F16B 45/02; F16B 7/22
See application file for complete search history.

(56) **References Cited**
U.S. PATENT DOCUMENTS
D35,290 S * 11/1901 MacDermott 8/79
D44,414 S * 7/1913 Schaefer 8/88
1,741,055 A * 12/1929 Hicks E21B 19/06
294/91
2,150,581 A * 3/1939 De Coursey E21B 19/06
294/90
2,695,189 A * 11/1954 Chrisman E21B 19/06
294/90

(Continued)

OTHER PUBLICATIONS
Zhenjiang Boral Machinery and Equipment Co. Ltd., Six Side Door Elevator for Handling Tubing, (video on page published Feb. 23, 2018), Made-in-China.com, URL:<<https://zjboral.en.made-in-china.com/product/VXcnPuWvChUM/China-Slx-Side-Door-Elevator-for-Handling-Tubing.html>> (Year: 2018).*

(Continued)

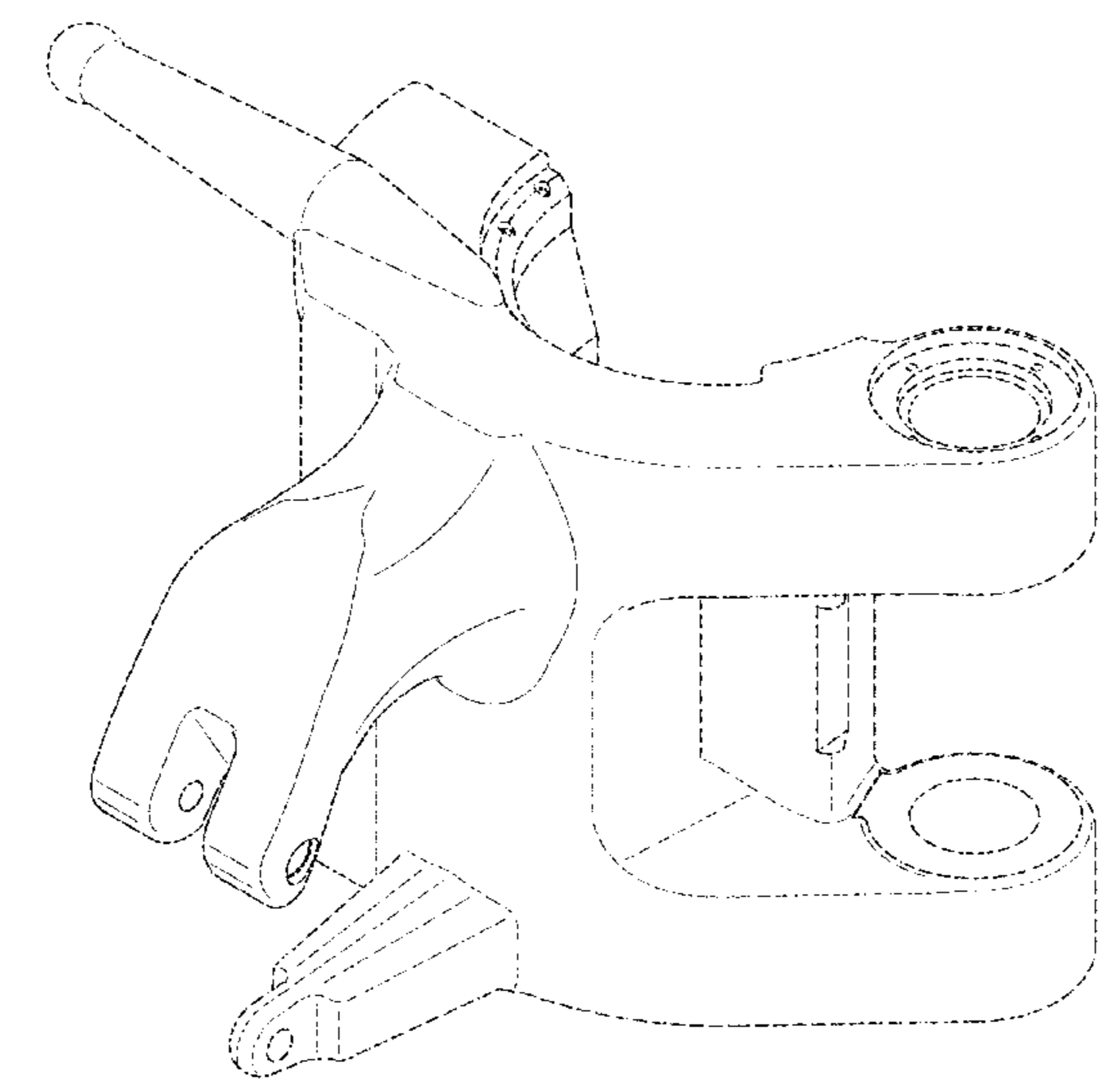
Primary Examiner — Calvin E Vasant
Assistant Examiner — Mark T. Philipps
(74) *Attorney, Agent, or Firm* — Patterson + Sheridan, L.L.P.

(57) **CLAIM**
The ornamental design for a pipe lifting elevator ear, as shown and described.

DESCRIPTION
FIG. 1 is a top front perspective view of a pipe lifting elevator ear showing my new design;
FIG. 2 is a top rear perspective view thereof;
FIG. 3 is a bottom front perspective view thereof;
FIG. 4 is a bottom rear perspective view thereof;
FIG. 5 is a front elevational view thereof;
FIG. 6 is a right side elevational view thereof;
FIG. 7 is a rear elevational view thereof;
FIG. 8 is a left side elevational view thereof;
FIG. 9 is a top plan view thereof;
FIG. 10 is a bottom plan view thereof;
FIG. 11 is a sectional view thereof taken along line 11-11 of FIG. 8;
FIG. 12 is a sectional view thereof taken along line 12-12 of FIG. 8;
FIG. 13 is a sectional view thereof taken along line 13-13 of FIG. 8;
FIG. 14 is a sectional view thereof taken along line 14-14 of FIG. 8;
FIG. 15 is a sectional view thereof taken along line 15-15 of FIG. 8; and,
FIG. 16 is a sectional view thereof taken along line 16-16 of FIG. 8.

The broken lines depict portions of the article that form no part of the claimed design.

1 Claim, 13 Drawing Sheets



(56)

References Cited

U.S. PATENT DOCUMENTS

3,342,520	A *	9/1967	Haynes	E21B 19/07 294/90
3,358,341	A *	12/1967	Burstall	E21B 19/07 294/102.2
3,403,791	A *	10/1968	Brackin	E21B 19/06 414/22.51
3,884,519	A *	5/1975	McFadden	E21B 19/06 294/90
4,396,216	A *	8/1983	Hamilton	E21B 19/06 175/85
5,755,289	A *	5/1998	Angman	E21B 19/06 166/378
6,915,868	B1	7/2005	Mosing et al.		
7,216,717	B2	5/2007	Severin et al.		
7,296,630	B2	11/2007	Severin et al.		
7,303,021	B2	12/2007	Schats et al.		
8,979,150	B1 *	3/2015	McKissack	E21B 19/06 294/90
9,109,409	B2 *	8/2015	Childress, II	E21B 41/0021
D770,344	S *	11/2016	Hult	8/79
9,765,581	B2	9/2017	Smith et al.		
9,797,208	B2	10/2017	Mosing et al.		
10,392,876	B2 *	8/2019	Harshbarger	E21B 19/10
2006/0011352	A1 *	1/2006	Nelson	E21B 19/06 166/379
2008/0054662	A1 *	3/2008	Lutzhof	E21B 19/07 294/113
2008/0093870	A1 *	4/2008	Ellis	E21B 19/06 294/86.33
2009/0252589	A1	10/2009	Sonneveld et al.		
2016/0060978	A1	3/2016	Sipos		
2019/0039857	A1	2/2019	Vierke		
2020/0332608	A1 *	10/2020	Biggerstaff	E21B 19/10

OTHER PUBLICATIONS

BVM, Elevators, (site visited Apr. 27, 2021), BVMCorp.com, URL:<www.bvmcorp.com/index.php/products/13> (Year: 2021).*

* cited by examiner

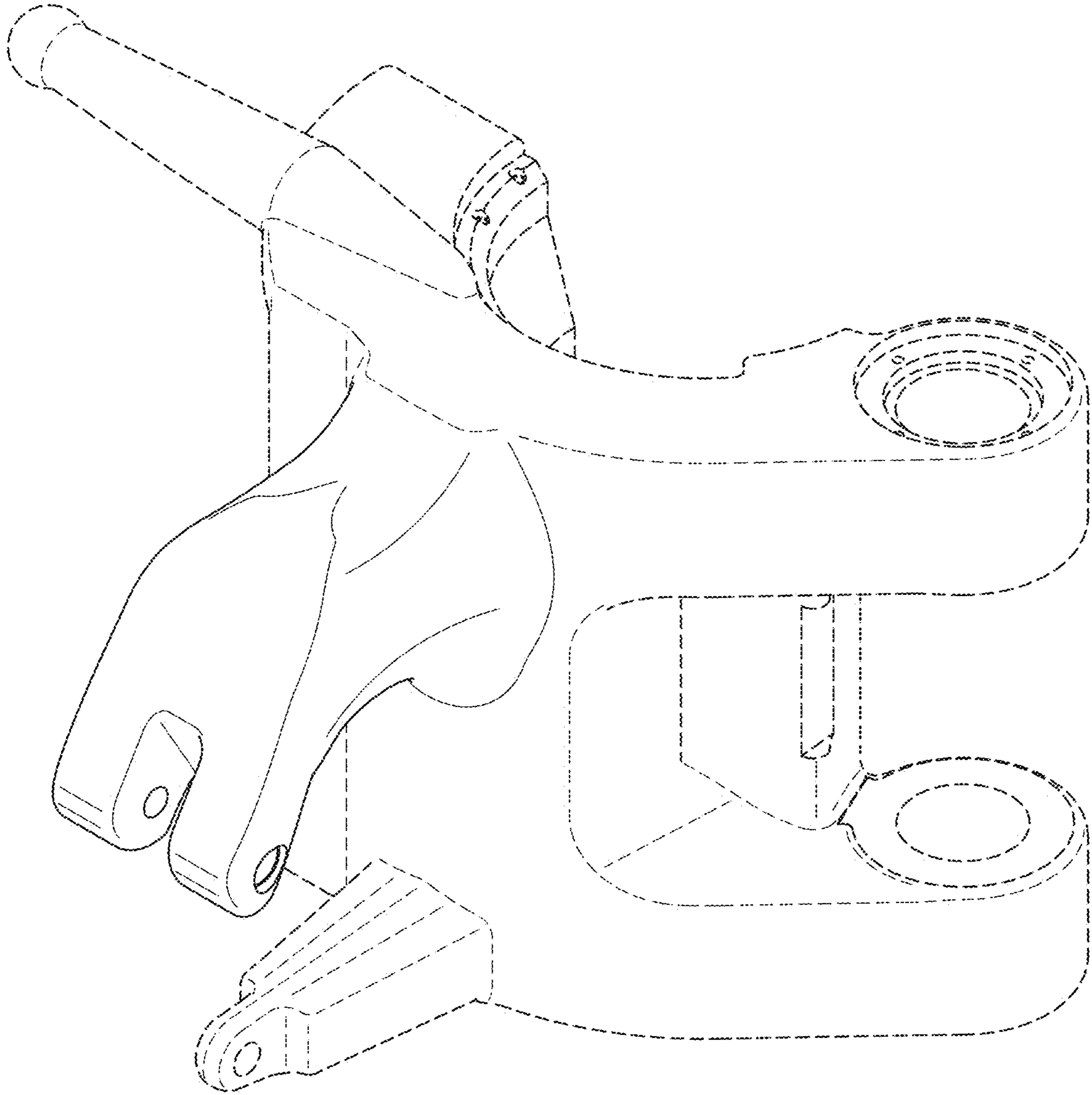


Fig. 1

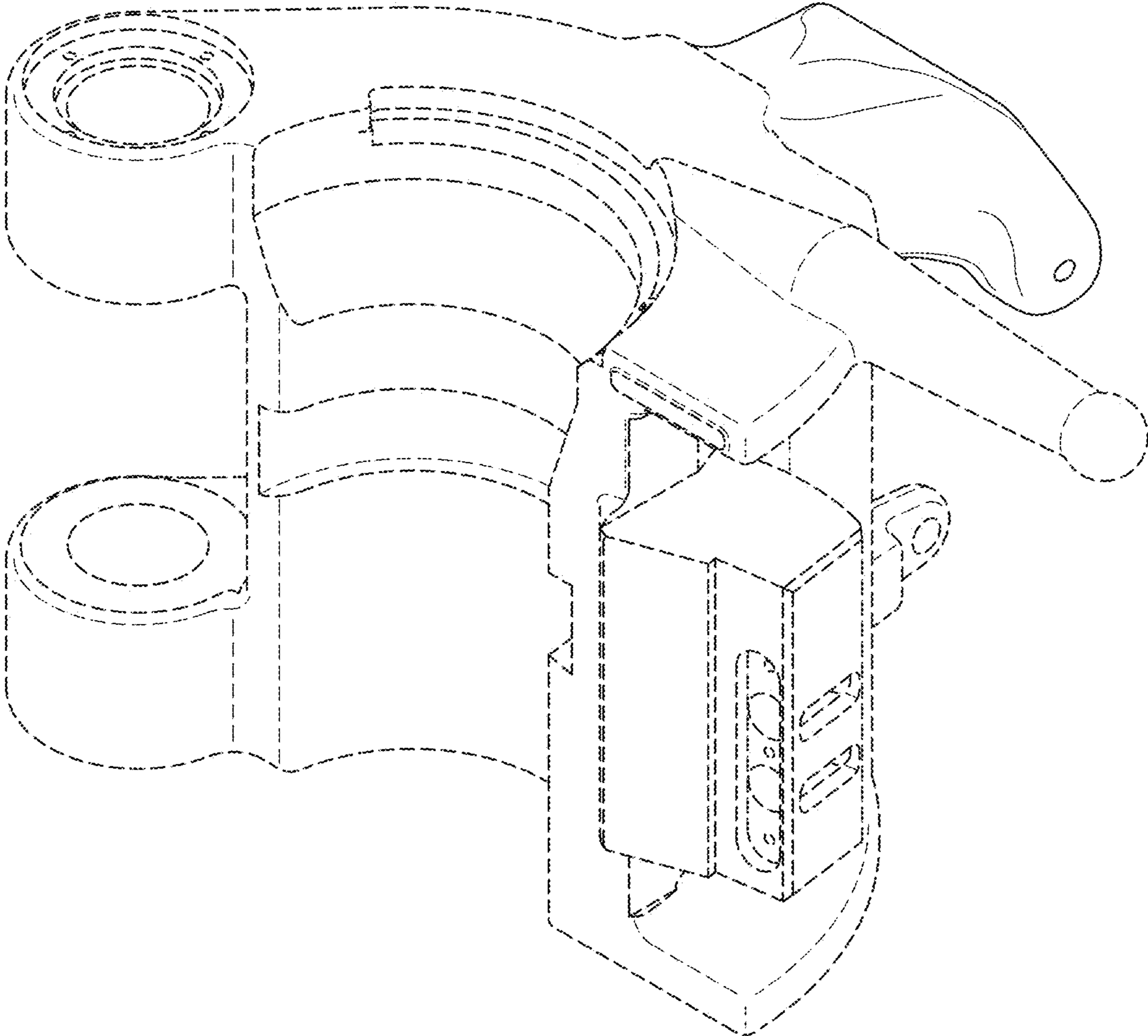


Fig. 2

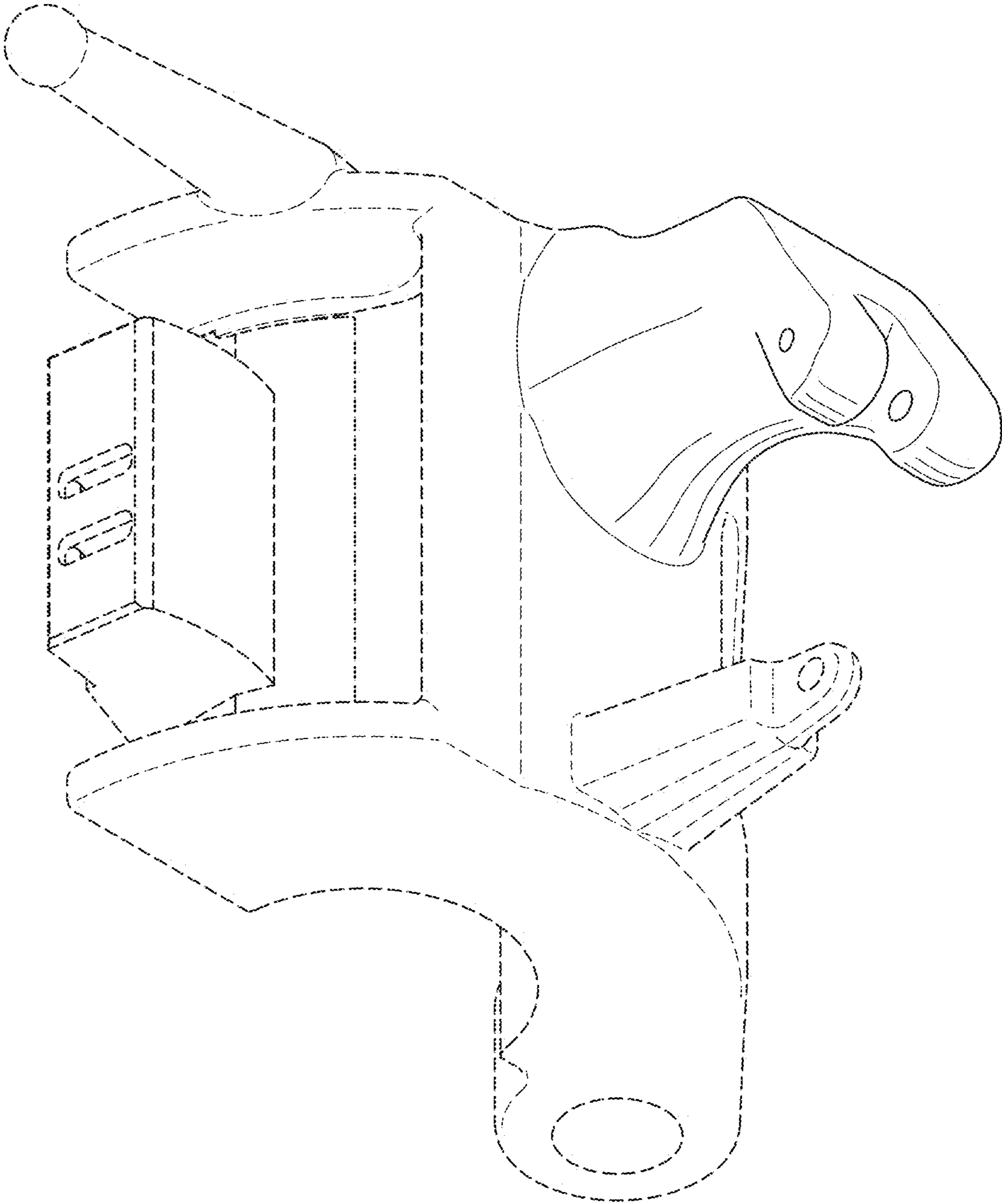


Fig. 3

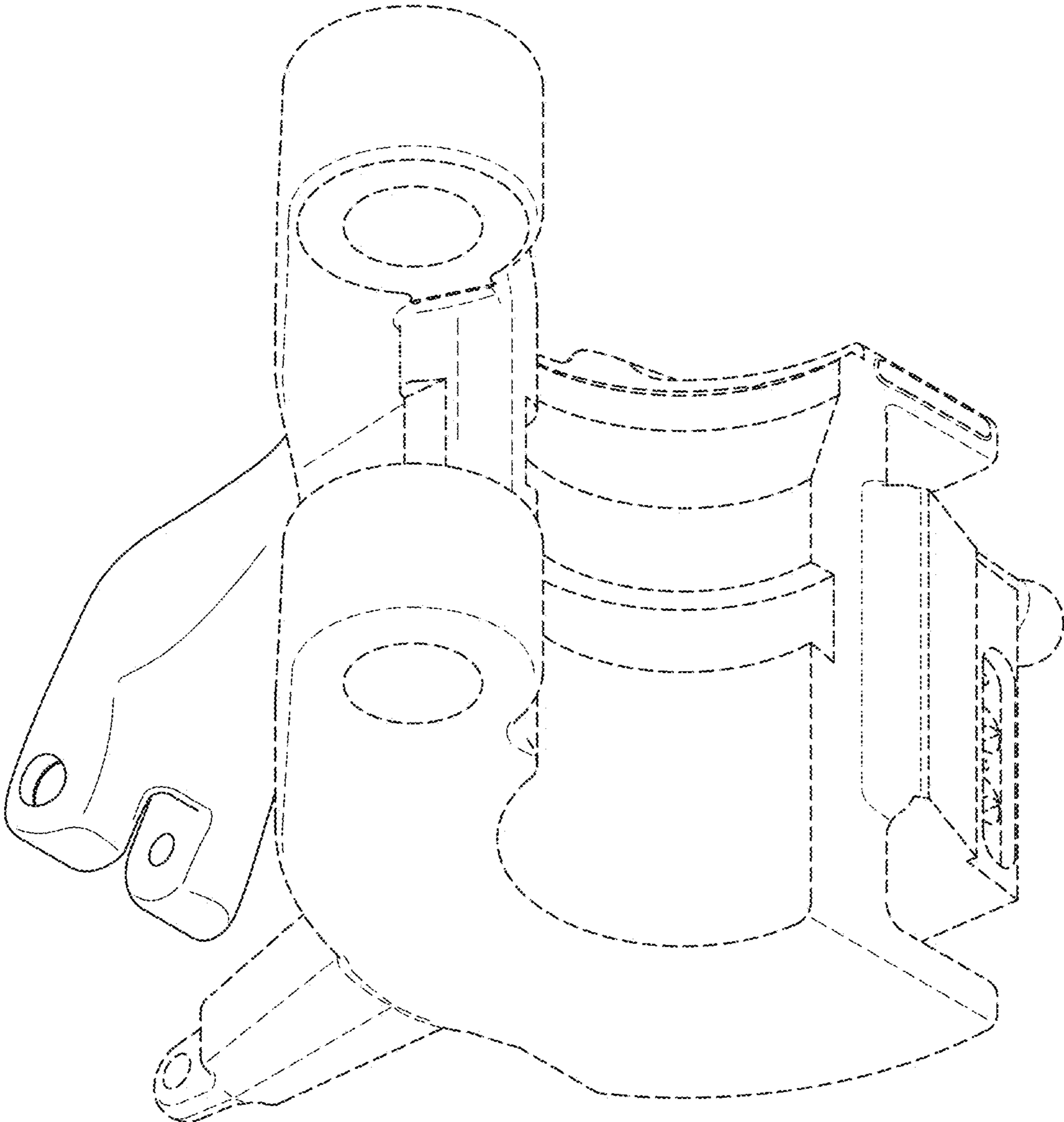


Fig. 4

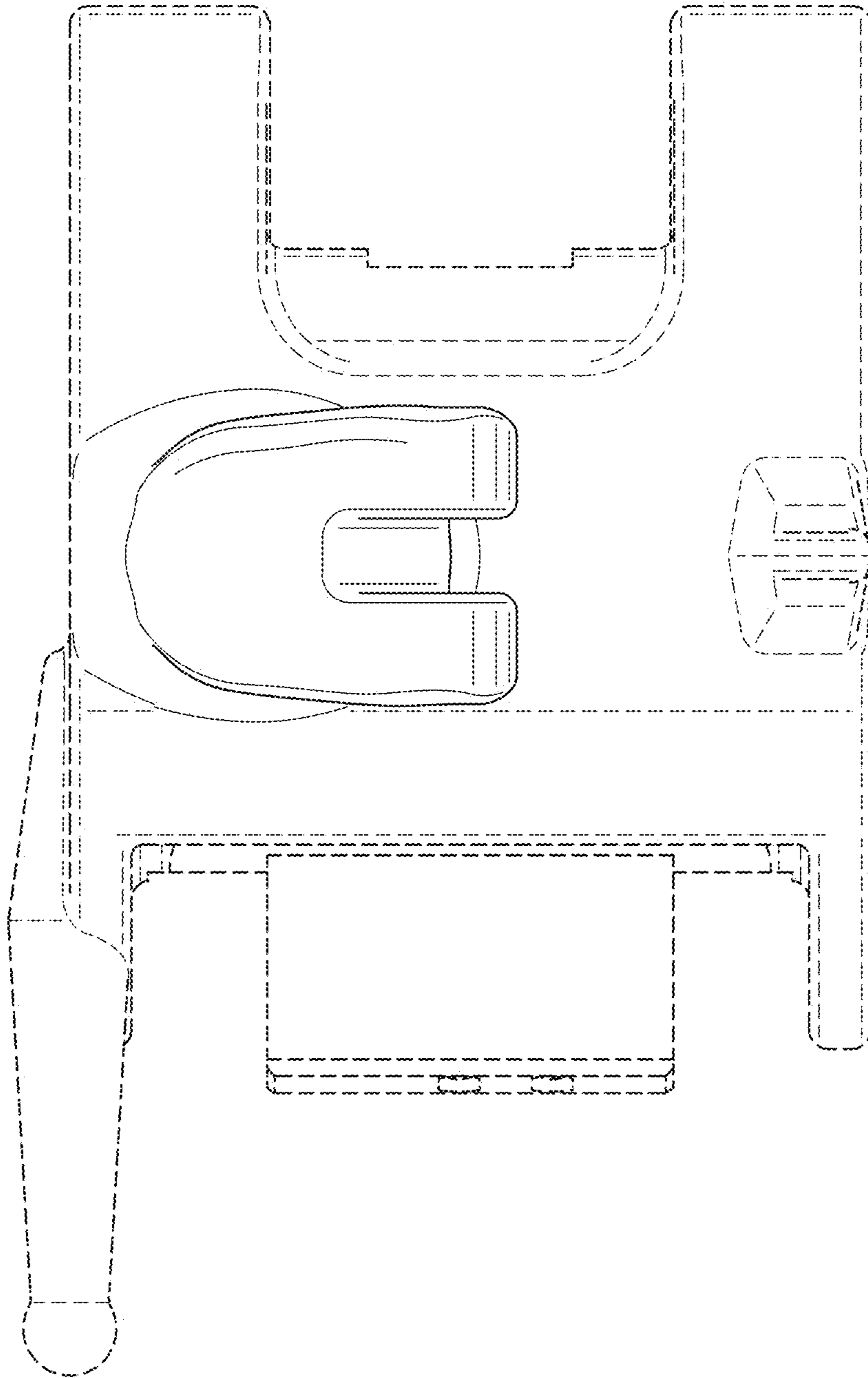


Fig. 5

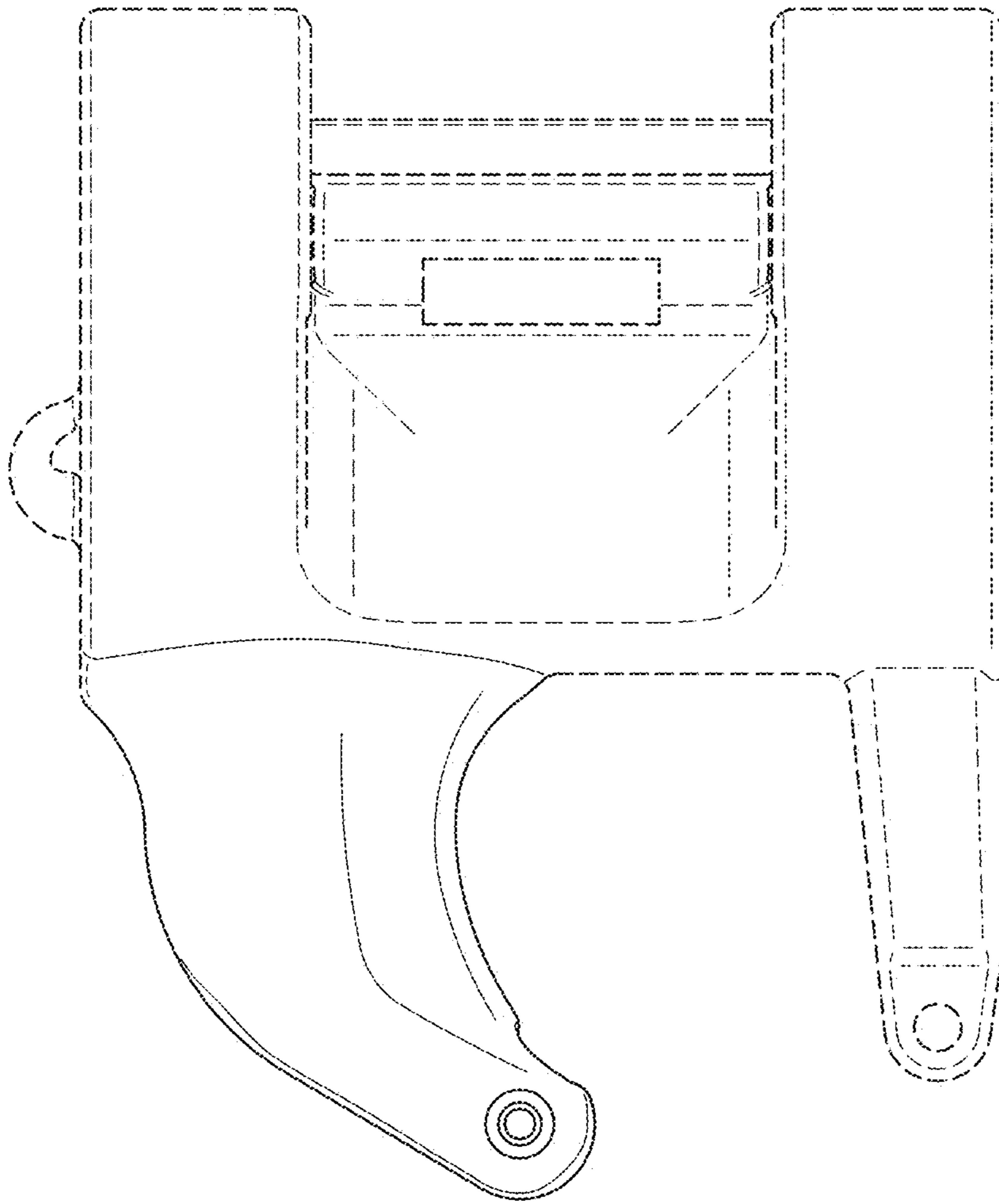


Fig. 6

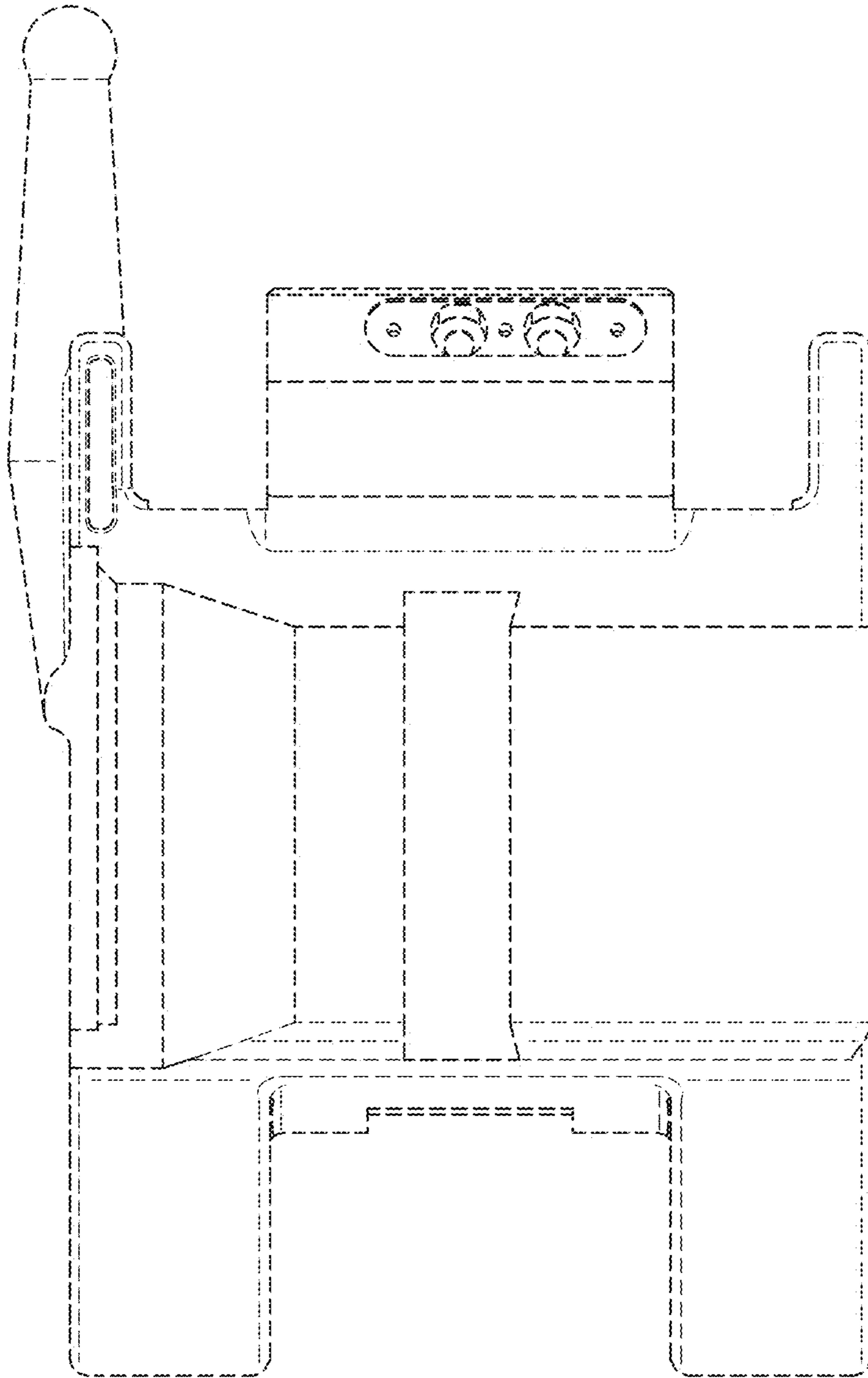


Fig. 7

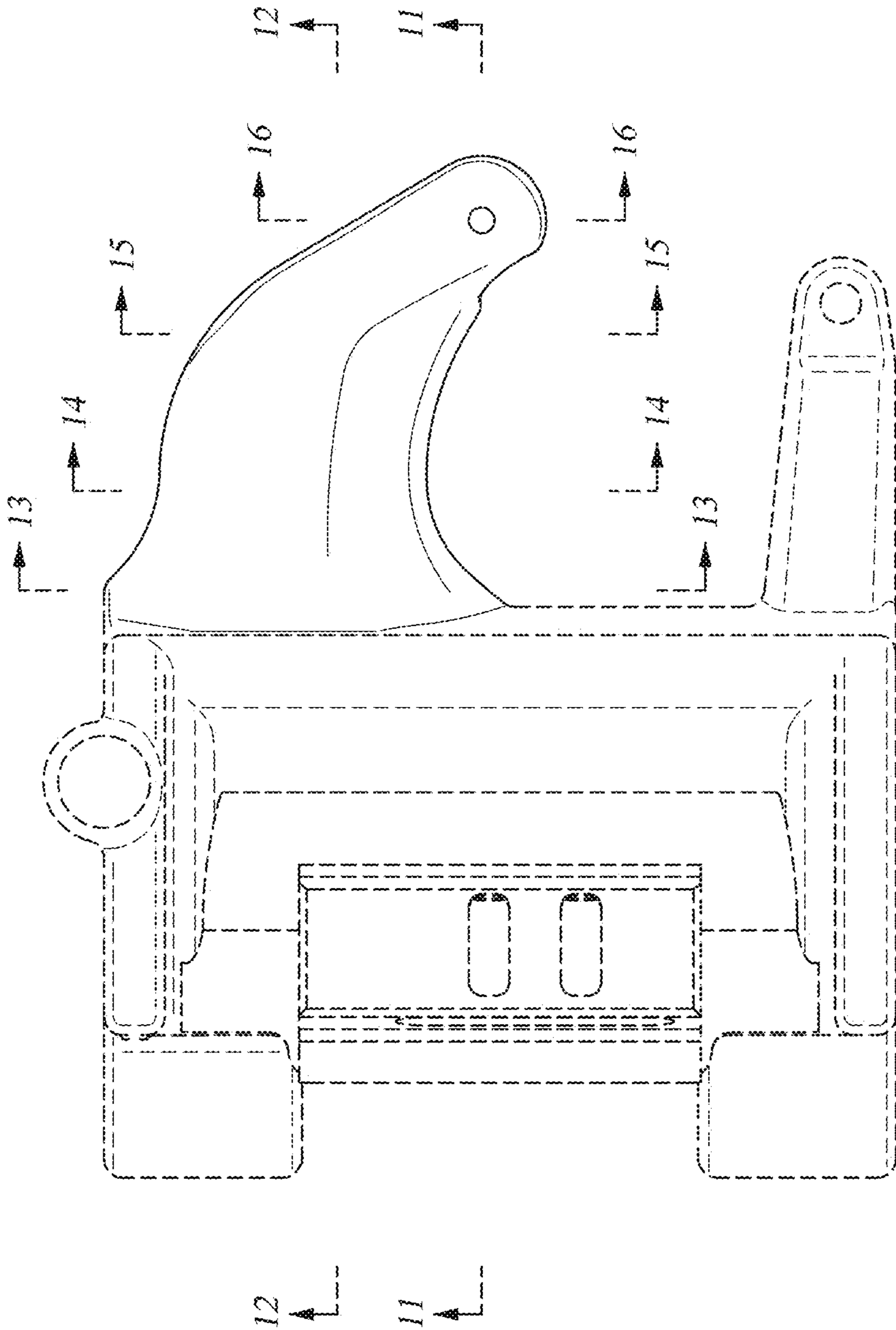


Fig. 8

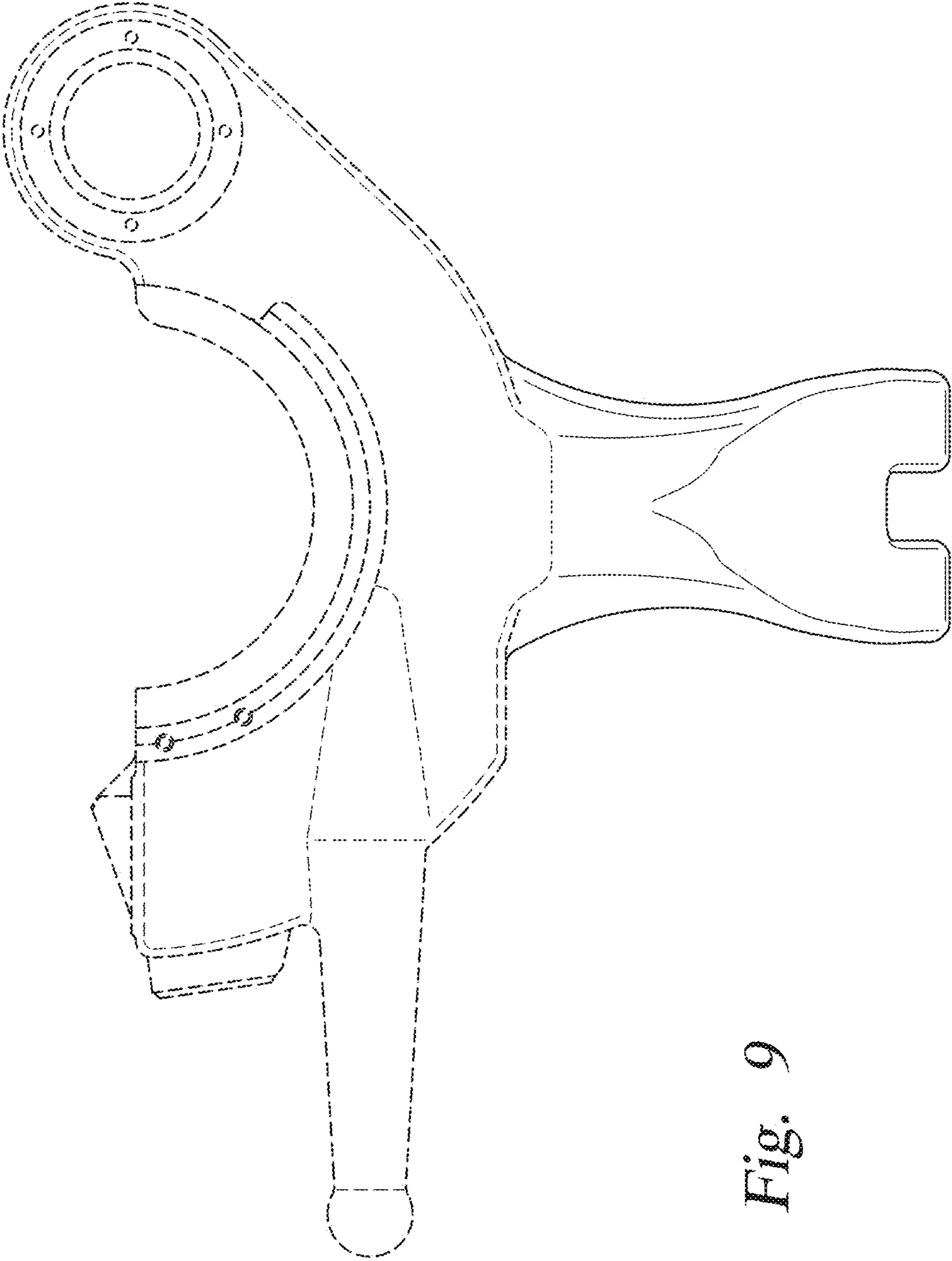


Fig. 9

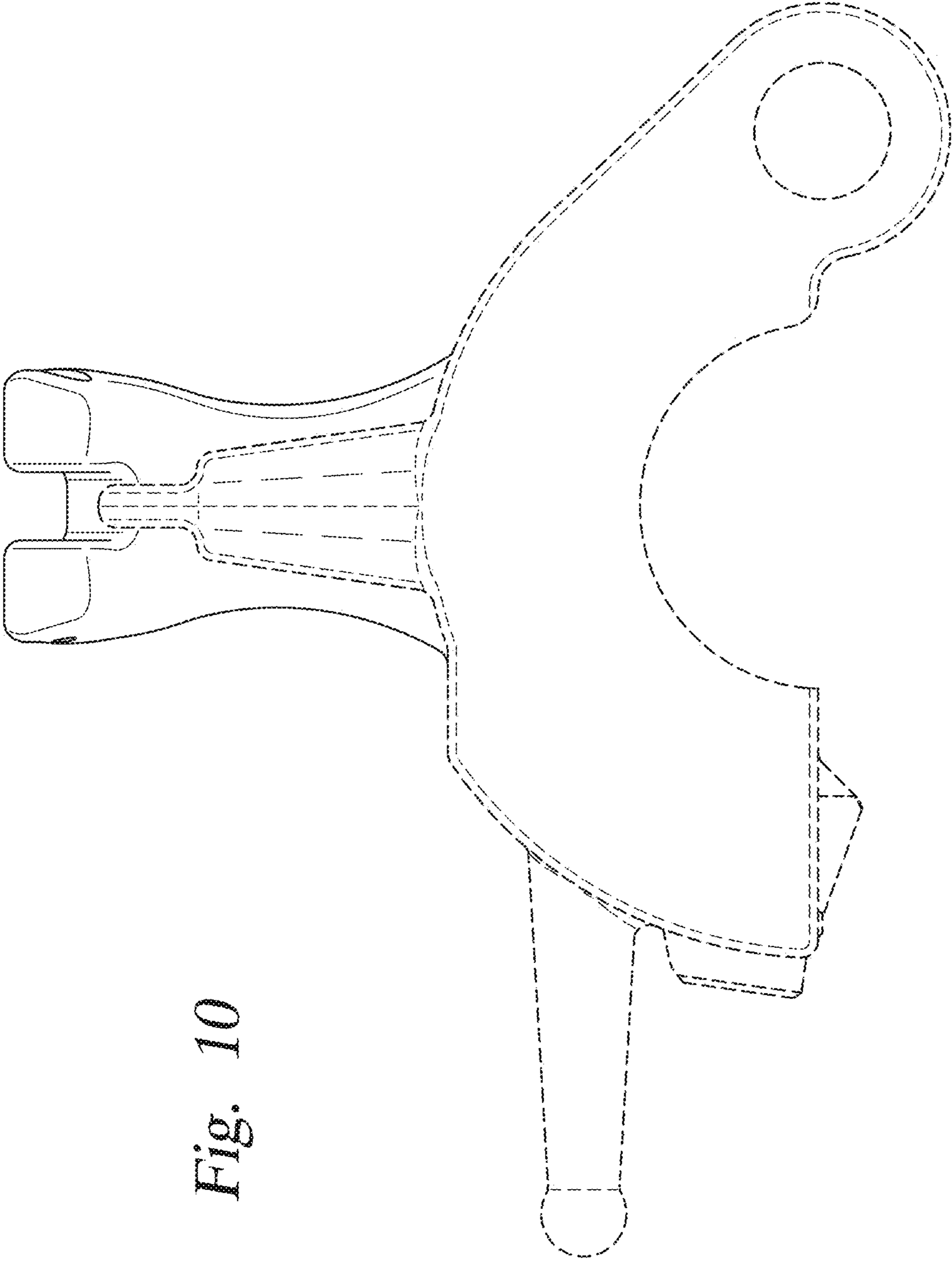


Fig. 10

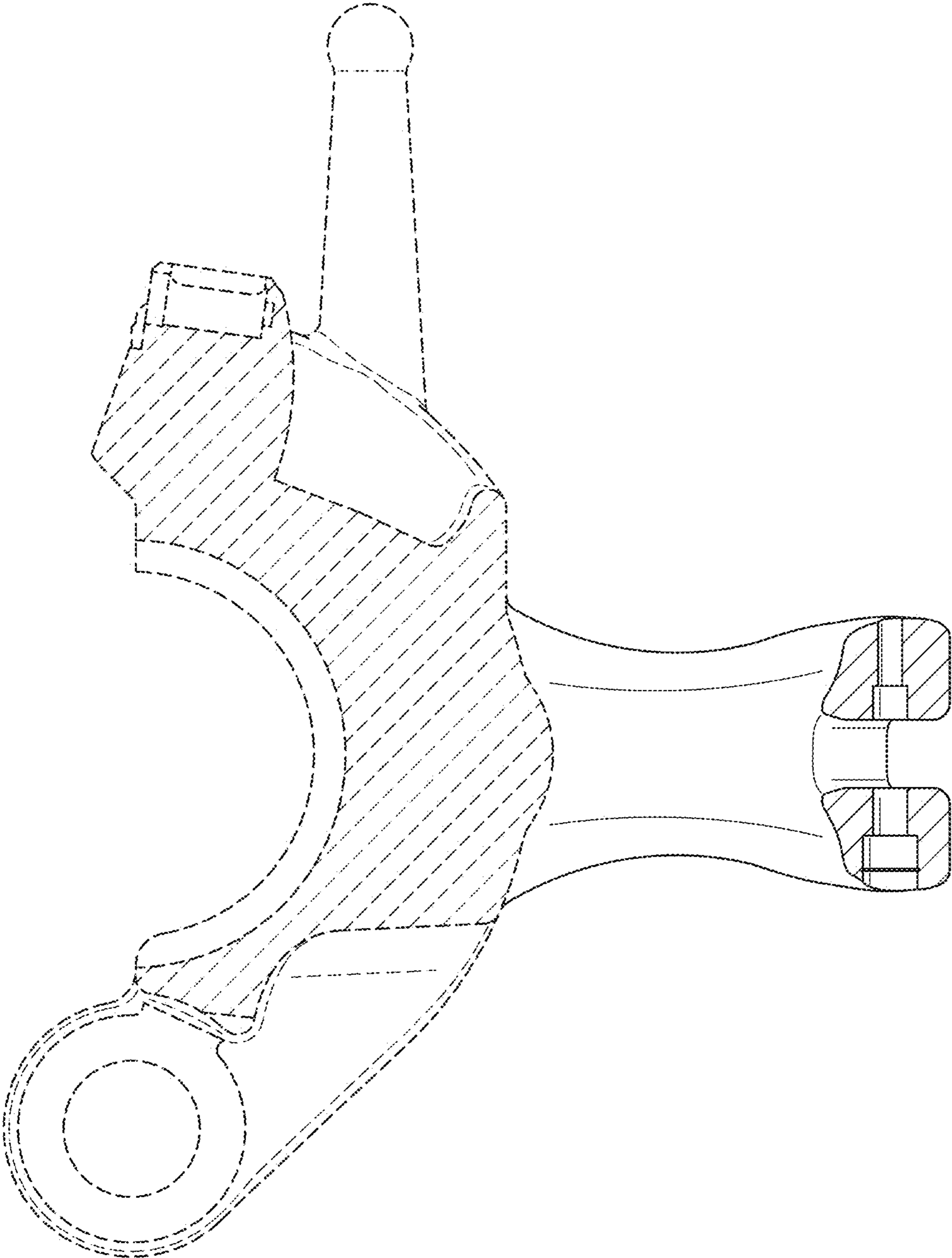


Fig. 11

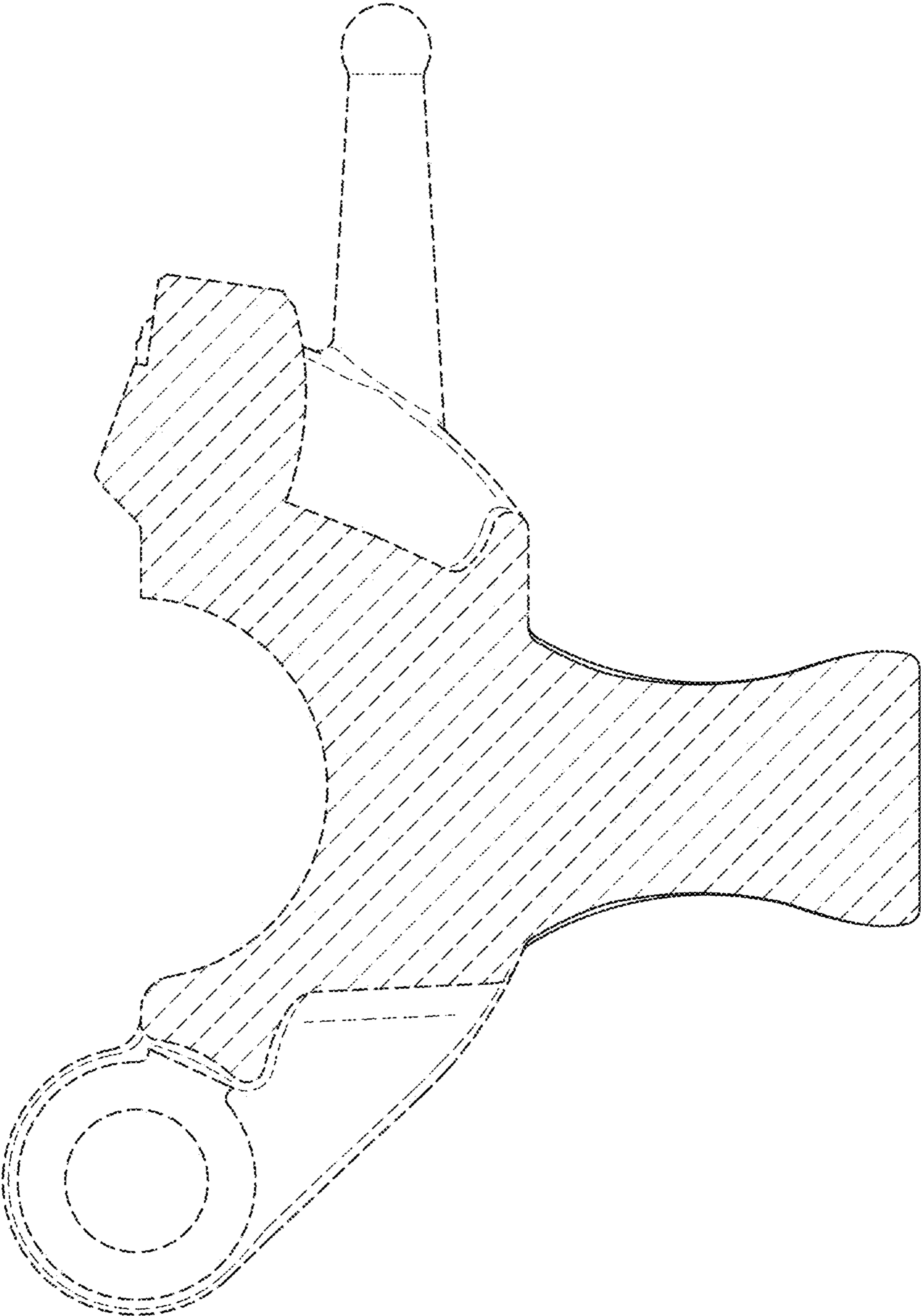


Fig. 12

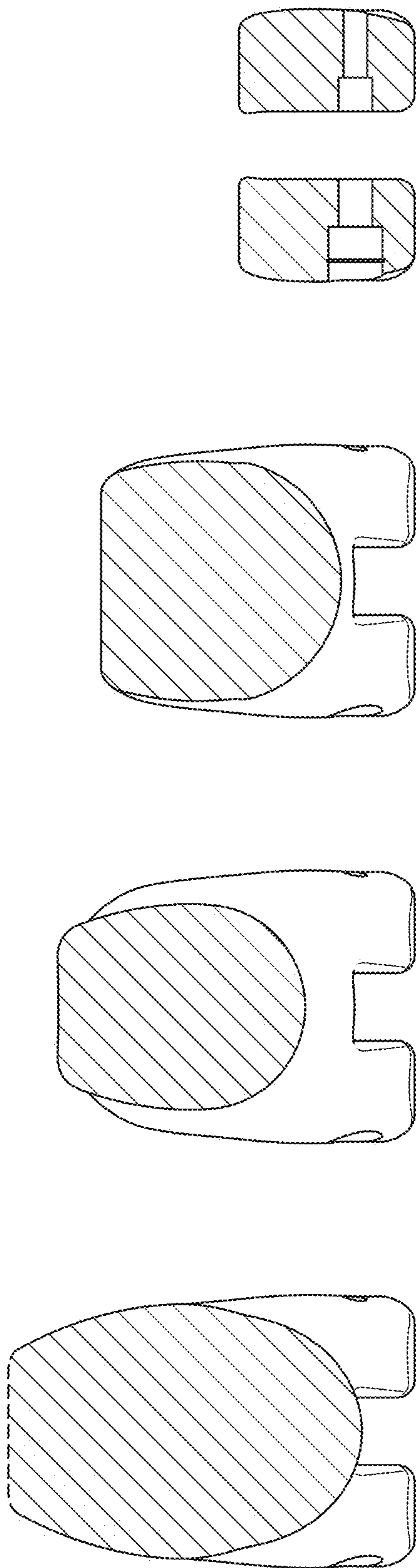


Fig. 13

Fig. 14

Fig. 15

Fig. 16

Fig. 17