



US00D936109S

(12) **United States Design Patent** (10) **Patent No.:** **US D936,109 S**  
**Hsu et al.** (45) **Date of Patent:** **\*\* Nov. 16, 2021**

(54) **SPREADER**

(71) Applicant: **OMS Investments, Inc.**, Los Angeles, CA (US)

(72) Inventors: **Paul E. Hsu**, Lewis Center, OH (US); **Ryan R. Berger**, Columbus, OH (US); **Daniel Wisniewski**, Columbus, OH (US); **Johannes Hertrich**, Columbus, OH (US); **John Knittle**, Westerville, OH (US); **Eric Glassner**, Hilliard, OH (US)

(73) Assignee: **OMS Investments, Inc.**, Los Angeles, CA (US)

(\*\*) Term: **15 Years**

(21) Appl. No.: **29/765,012**

(22) Filed: **Jan. 5, 2021**

**Related U.S. Application Data**

(63) Continuation of application No. 29/699,097, filed on Jul. 23, 2019, now Pat. No. Des. 909,421, which is a continuation of application No. 29/595,095, filed on Feb. 24, 2017, now Pat. No. Des. 860,261.

(51) **LOC (13) Cl.** ..... **15-03**

(52) **U.S. Cl.**  
USPC ..... **D15/13**

(58) **Field of Classification Search**  
USPC ..... D15/11, 13, 14, 16, 17, 18, 21, 27, 28;  
222/625, 502, 45, 228, 162, 174, 614,  
222/624, 650, 608; 239/681-689, 666,  
239/663, 650, 652, 655, 664, 665  
CPC ..... E01C 19/2005; E01C 19/20; E01C  
2019/206; E01H 10/007; B05B 9/007;  
A01C 7/02; A01C 15/02; A01C 17/008;  
A01G 29/00

See application file for complete search history.

(56) **References Cited**

U.S. PATENT DOCUMENTS

3,383,055 A \* 5/1968 Speicher ..... A01C 17/006  
239/687  
4,032,074 A \* 6/1977 Amerine ..... A01C 15/008  
239/685  
4,180,184 A \* 12/1979 Florer ..... A01C 15/02  
222/41  
5,203,510 A \* 4/1993 Courtney ..... A01C 15/02  
239/667  
D338,894 S \* 8/1993 Simpson ..... D15/13  
D359,963 S \* 7/1995 Pink ..... D15/13  
D371,780 S \* 7/1996 Havlovitz ..... D15/13  
D373,367 S \* 9/1996 Havlovitz ..... D15/13  
5,570,814 A \* 11/1996 Havlovitz ..... A01C 15/02  
222/235  
D376,155 S \* 12/1996 Havlovitz ..... D15/13

(Continued)

*Primary Examiner* — Mark A Goodwin

(74) *Attorney, Agent, or Firm* — Ulmer & Berne LLP

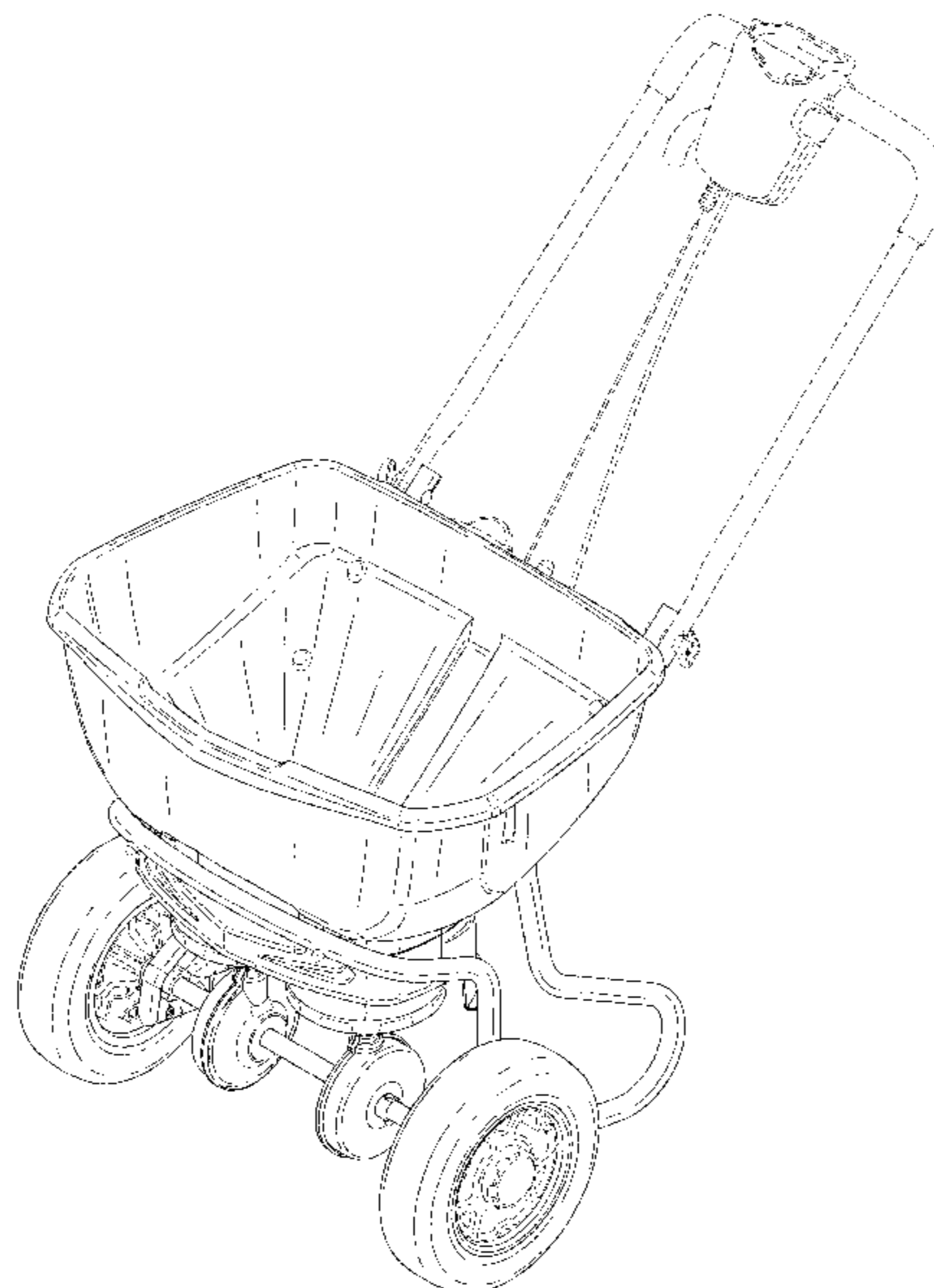
(57) **CLAIM**

The ornamental design for a spreader, as shown and described.

**DESCRIPTION**

FIG. 1 is a front perspective view of a spreader showing our new design;  
 FIG. 2 is a front elevation view thereof;  
 FIG. 3 is a rear elevation view thereof;  
 FIG. 4 is a right side elevation view thereof;  
 FIG. 5 is a left side elevation view thereof;  
 FIG. 6 is a top plan view thereof;  
 FIG. 7 is a bottom plan view thereof; and,  
 FIG. 8 is a rear perspective view thereof.  
 The line shading in FIGS. 1-8 represents contour and not surface ornamentation. The broken lines illustrate the portions of the spreader that form no part of the claimed design.

**1 Claim, 8 Drawing Sheets**



**US D936,109 S**

Page 2

(56)

**References Cited**

U.S. PATENT DOCUMENTS

D384,679 S \* 10/1997 Havlovitz ..... D15/13  
5,842,648 A \* 12/1998 Havlovitz ..... A01C 15/02  
239/650  
D413,903 S \* 9/1999 Spear ..... D15/13  
D413,904 S \* 9/1999 Spear ..... D15/13  
D414,783 S \* 10/1999 Spear ..... D15/13  
6,138,927 A \* 10/2000 Spear ..... A01C 15/02  
239/666  
D598,809 S \* 8/2009 Smith ..... D11/144  
D602,045 S \* 10/2009 Choi ..... D15/13  
D602,046 S \* 10/2009 Choi ..... D15/13  
D610,590 S \* 2/2010 Choi ..... D15/13  
D610,591 S \* 2/2010 Choi ..... D15/13  
D623,667 S \* 9/2010 Cichy ..... D15/13  
8,757,519 B2 \* 6/2014 Cichy ..... A01C 17/005  
239/681  
D718,792 S \* 12/2014 Lapham ..... D15/11  
D829,773 S \* 10/2018 Stewart ..... D15/13  
D853,446 S \* 7/2019 Horeth ..... D15/13  
D860,261 S \* 9/2019 Hsu ..... D15/13  
D873,865 S \* 1/2020 Campbell ..... D15/13

D875,789 S \* 2/2020 Shobe ..... D15/28  
D909,421 S \* 2/2021 Hsu ..... D15/13  
2002/0014545 A1 \* 2/2002 Woodruff ..... A01C 15/02  
239/650  
2002/0162907 A1 \* 11/2002 Courtney ..... E01C 19/203  
239/665  
2005/0258284 A1 \* 11/2005 Magnusson ..... A01C 17/008  
239/687  
2006/0157518 A1 \* 7/2006 Havlovitz ..... A01C 15/02  
222/617  
2007/0244605 A1 \* 10/2007 Hopkins ..... A01D 34/006  
701/1  
2008/0078850 A1 \* 4/2008 Bowsher ..... A01C 17/008  
239/687  
2011/0297763 A1 \* 12/2011 Kressy ..... B05B 15/62  
239/687  
2013/0105592 A1 \* 5/2013 Kendall ..... A01C 17/001  
239/7  
2014/0263484 A1 \* 9/2014 Marconi ..... A01C 15/02  
222/637  
2016/0106028 A1 \* 4/2016 Kendall ..... A01C 15/02  
239/1  
2016/0316615 A1 \* 11/2016 Papke ..... A01C 17/005  
\* cited by examiner

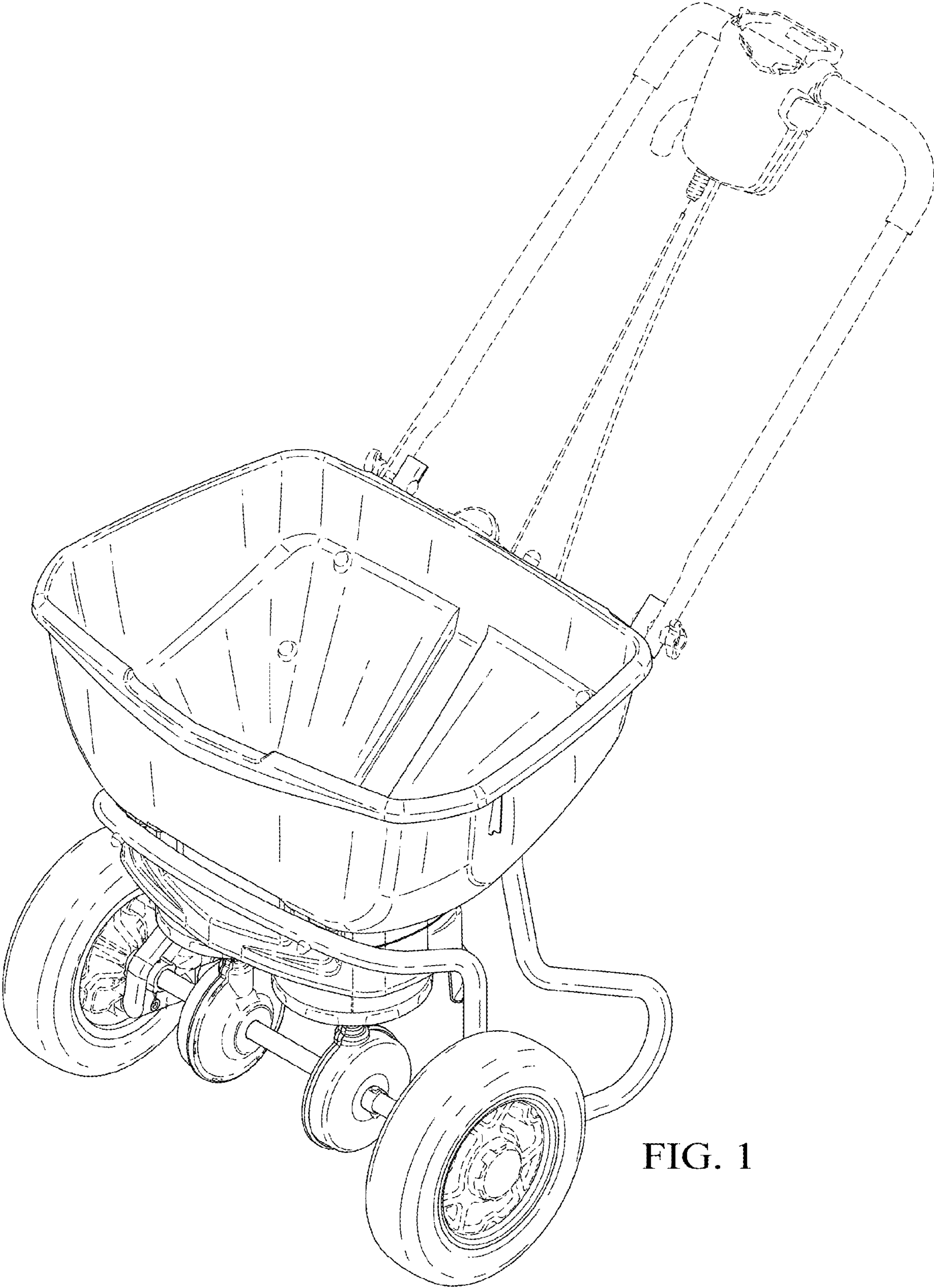


FIG. 1

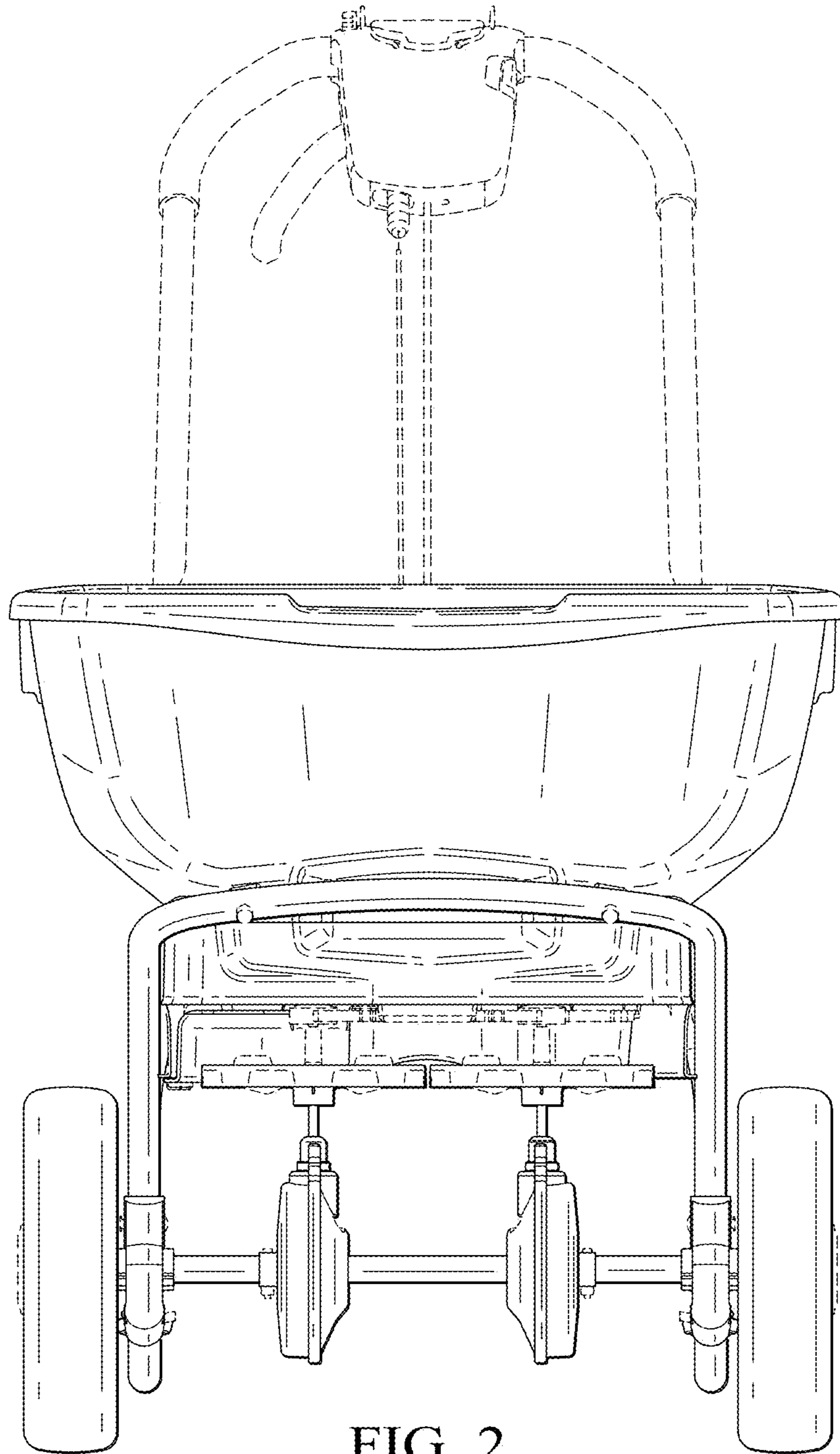


FIG. 2

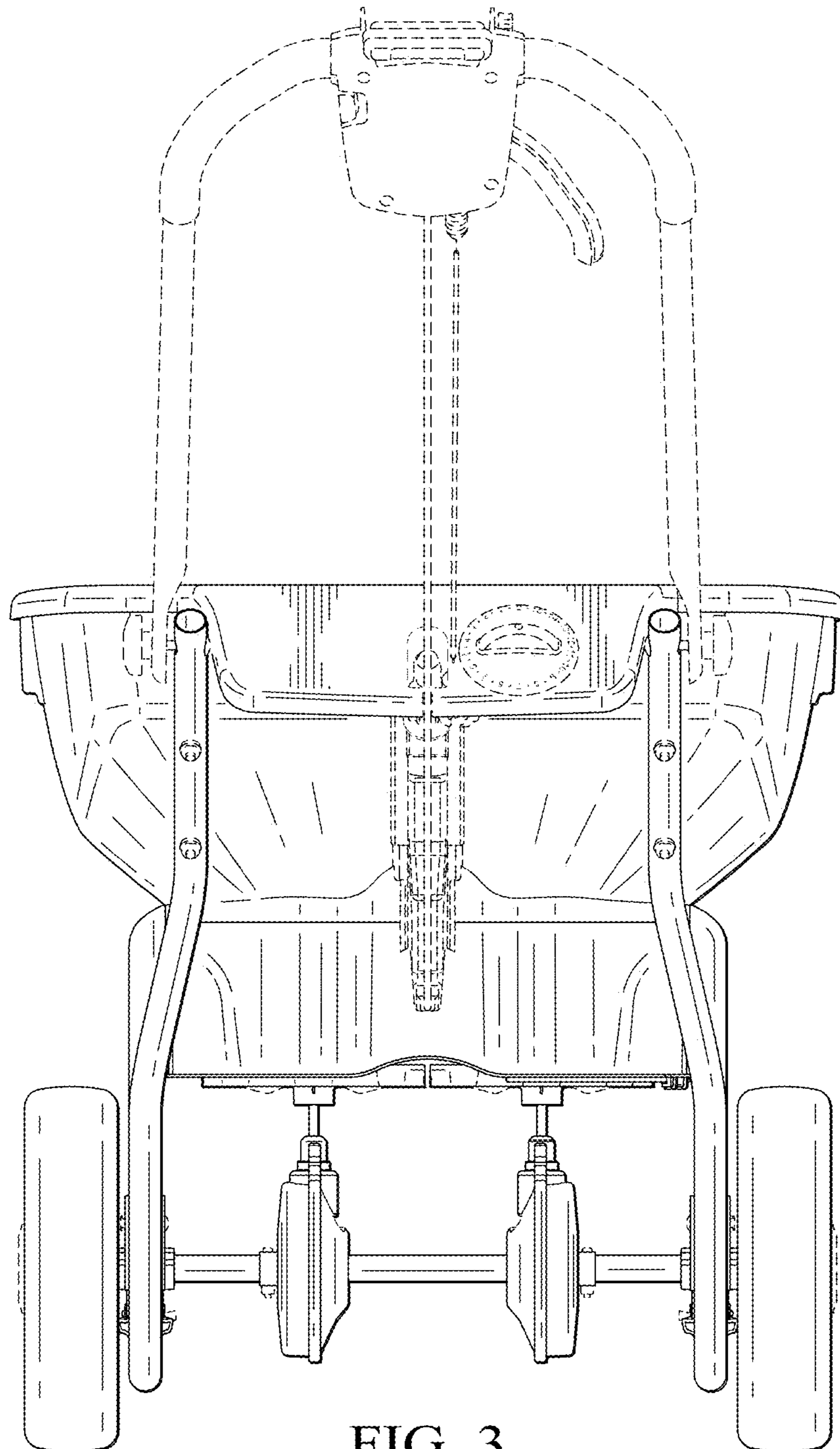


FIG. 3

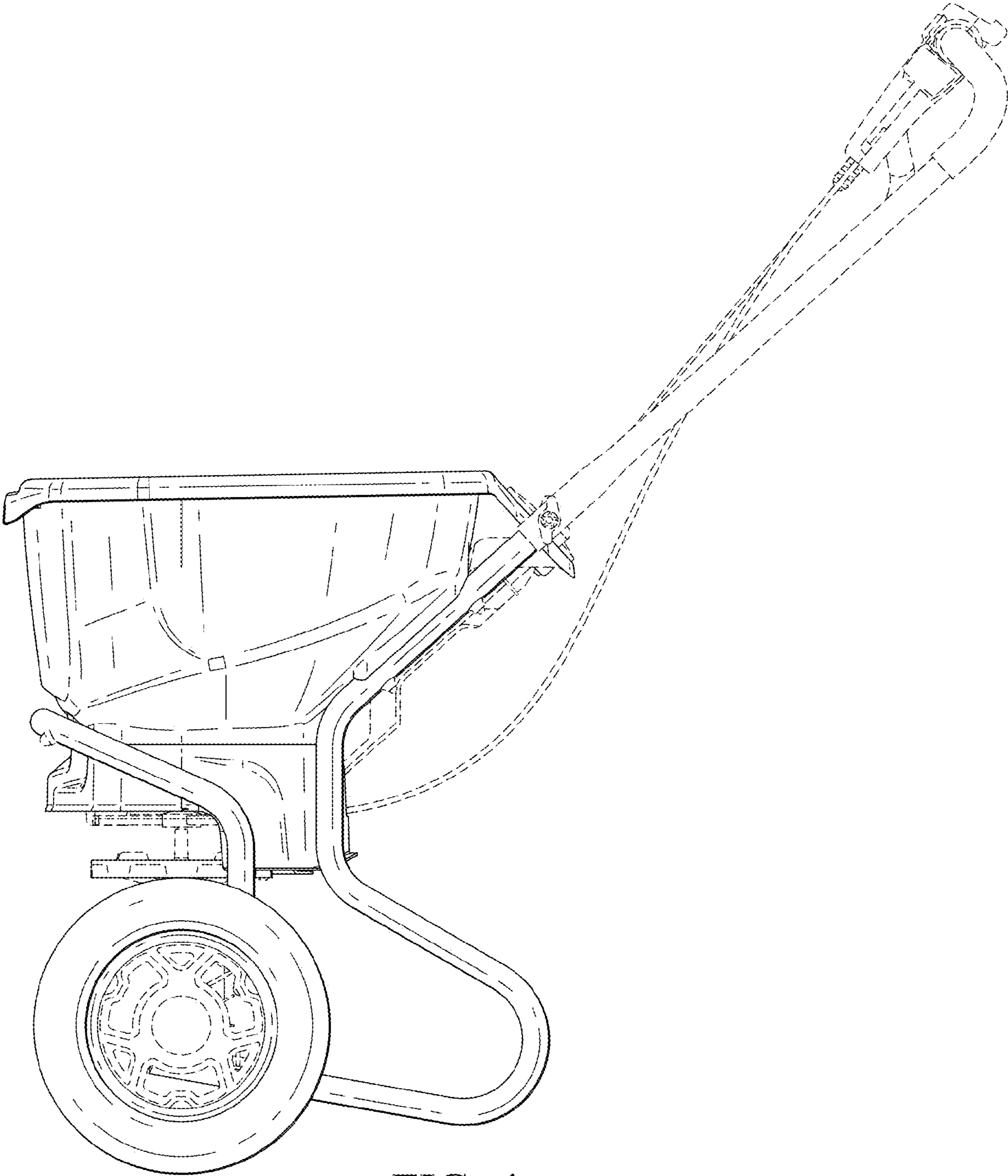


FIG. 4

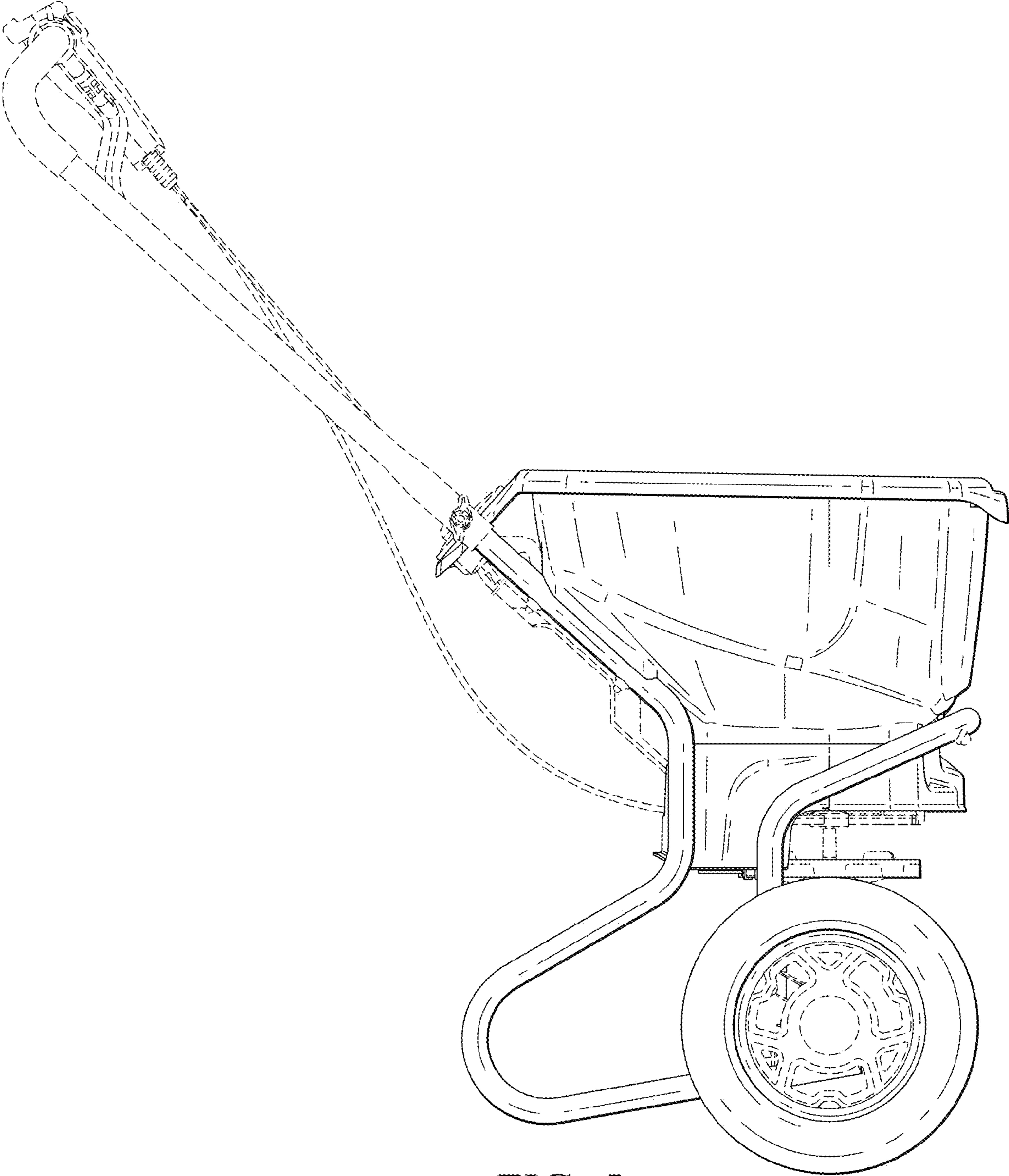


FIG. 5

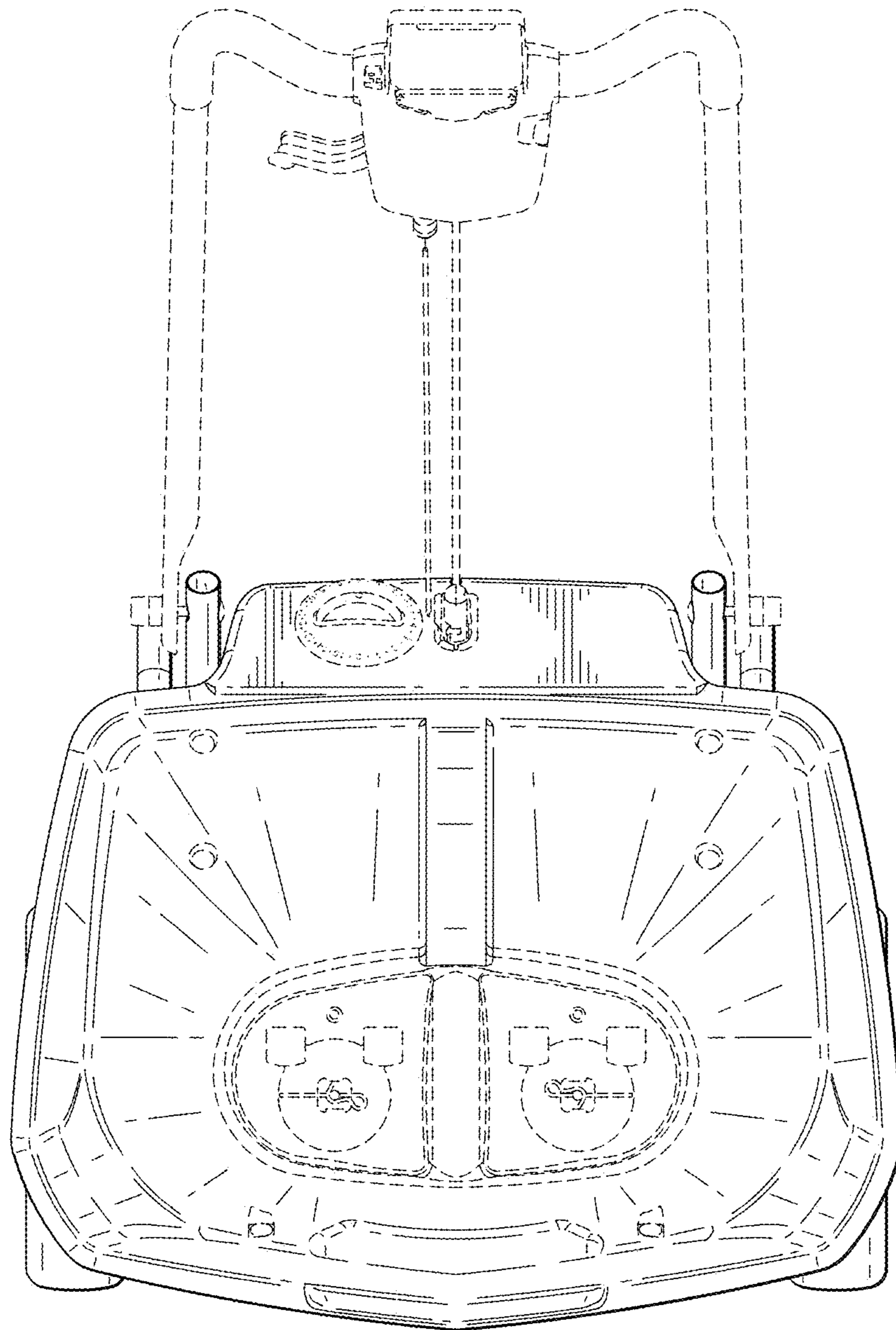


FIG. 6



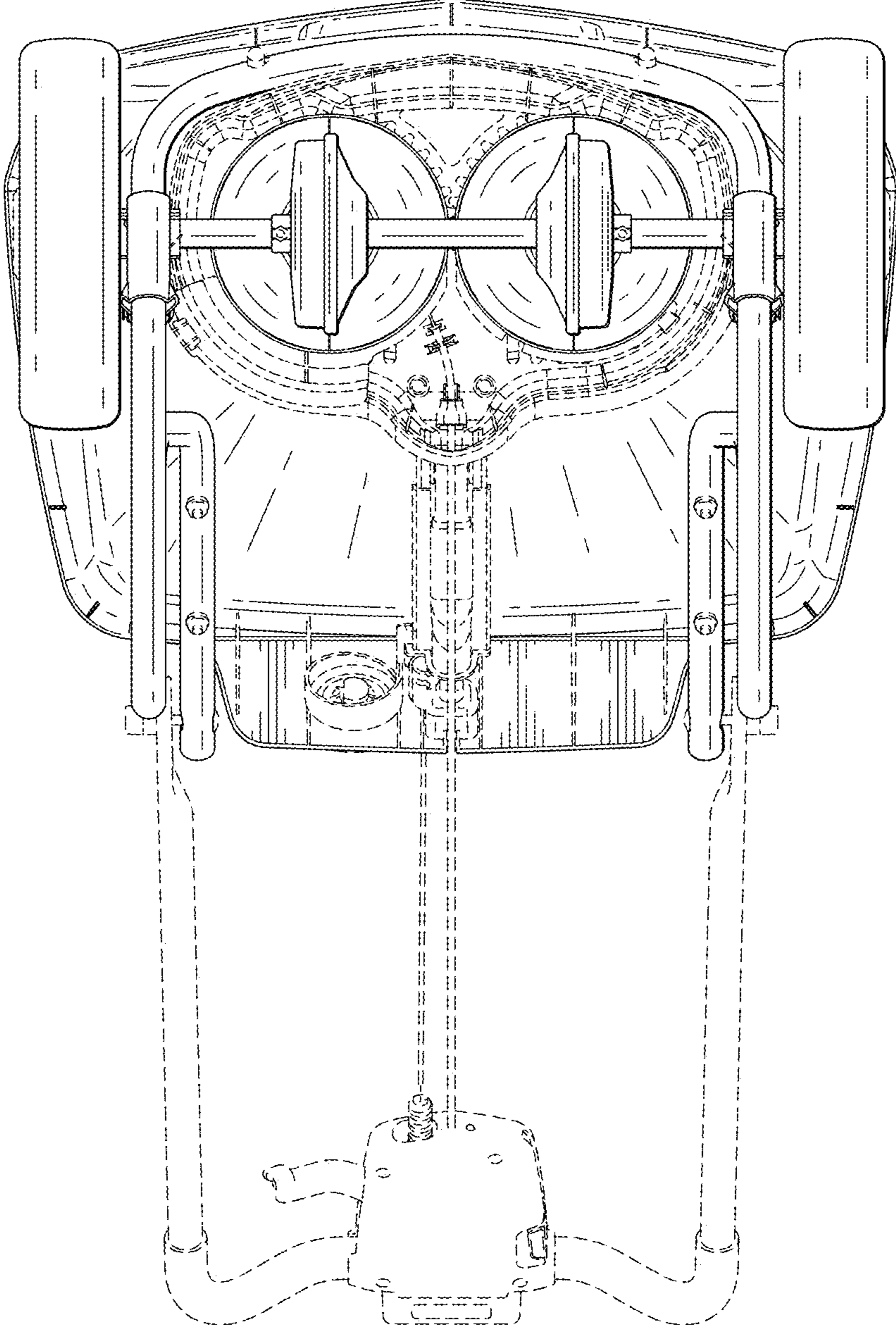


FIG. 7

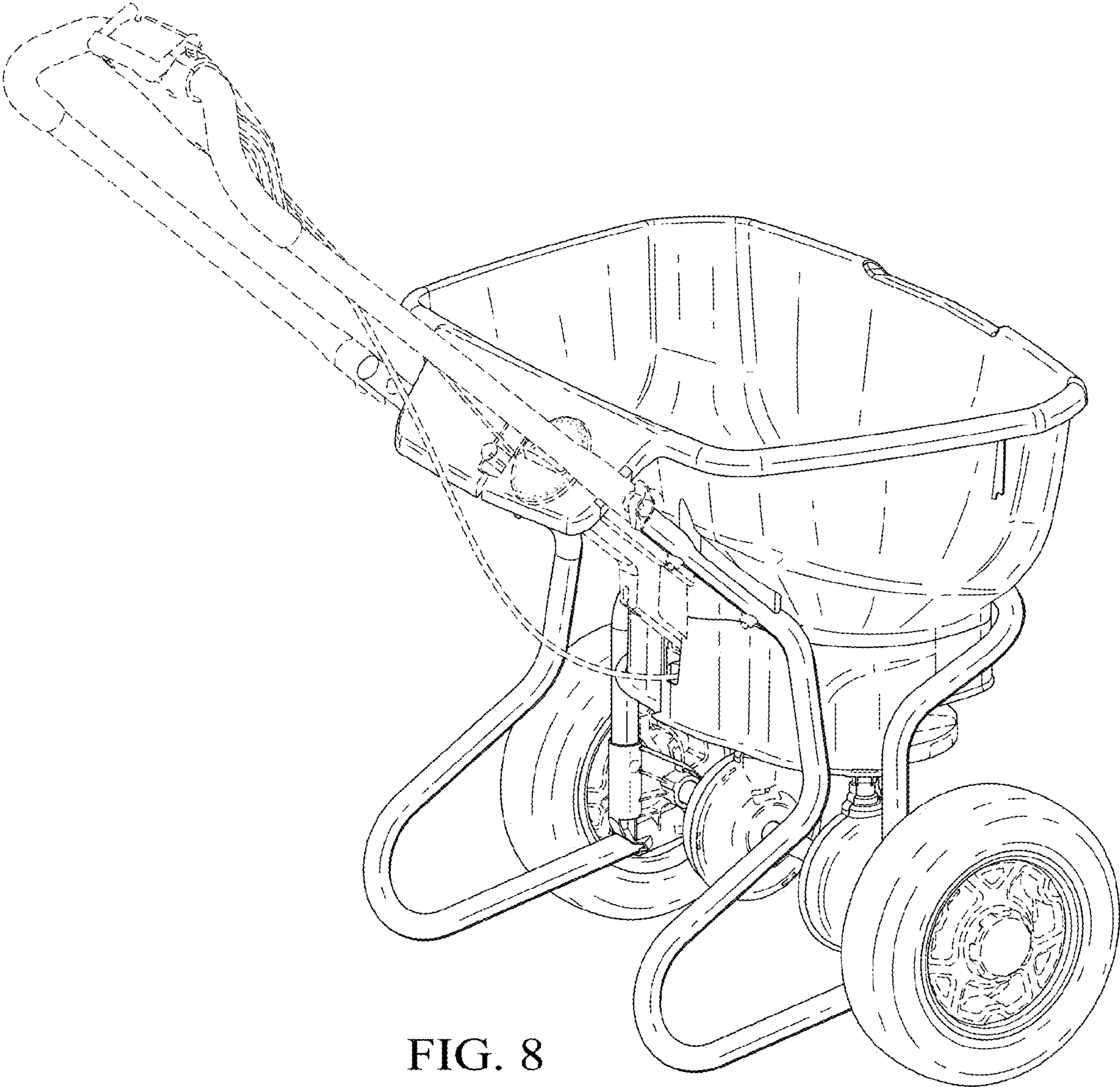


FIG. 8