



US00D936107S

(12) **United States Design Patent**  
**Alexander**

(10) **Patent No.:** **US D936,107 S**

(45) **Date of Patent:** **\*\* Nov. 16, 2021**

(54) **PRESSURE WASHER PUMP**

(71) Applicant: **FNA Group, Inc.**, Pleasant Prairie, WI (US)

(72) Inventor: **Gus Alexander**, Inverness, IL (US)

(73) Assignee: **FNA GROUP, INC.**, Pleasant Prairie, WI (US)

(\*\*) Term: **15 Years**

(21) Appl. No.: **29/722,002**

(22) Filed: **Jan. 24, 2020**

(51) **LOC (13) Cl.** ..... **15-02**

(52) **U.S. Cl.**  
USPC ..... **D15/7**

(58) **Field of Classification Search**

USPC ..... D15/5, 7-9; D23/225, 231, 232  
CPC ..... F04B 53/22; F04B 1/0448; F02M 37/04;  
F02M 37/14; F04D 29/046; F04D  
29/2266

See application file for complete search history.

(56) **References Cited**

**U.S. PATENT DOCUMENTS**

D532,793 S	*	11/2006	Reverberi	.....	D15/4
D634,664 S	*	3/2011	DaRif	.....	D15/7
D691,638 S	*	10/2013	Alexander	.....	D15/7
D699,762 S	*	2/2014	Alexander	.....	D15/7
D726,225 S	*	4/2015	Alexander	.....	D15/7
D776,720 S	*	1/2017	Davalos	.....	D15/7
D823,898 S	*	7/2018	Alexander	.....	D15/7
D823,900 S	*	7/2018	Alexander	.....	D15/7
D825,615 S	*	8/2018	Alexander	.....	D15/7
D836,677 S	*	12/2018	Alexander	.....	D15/7

(Continued)

**OTHER PUBLICATIONS**

Amazon, Universal Pressure Washer Pump 2800 PSI 2.5 GPM, (site visited May 1, 2020), Sold at Aazon.com URL:<<https://www.amazon.com/Homelite-Universal-Pressure-Pump-308653052/dp/B0184E3GYK/>> (Year: 2020).\*

(Continued)

*Primary Examiner* — Sheryl Lane

*Assistant Examiner* — Mark T. Philipps

(74) *Attorney, Agent, or Firm* — Hanley, Flight & Zimmerman, LLC

(57) **CLAIM**

The ornamental design for a “pressure washer pump,” as shown and described in FIGS. 1-7.

**DESCRIPTION**

FIG. 1 is a front, right, top perspective view of a pressure washer pump.

FIG. 2 is a rear, left, top perspective view of the pressure washer pump of FIG. 1.

FIG. 3 is a right view of the pressure washer pump of FIG. 1.

FIG. 4 is a left view of the pressure washer pump of FIG. 1.

FIG. 5 is a front view of the pressure washer pump of FIG. 1.

FIG. 6 is a rear view of the pressure washer pump of FIG. 1.

FIG. 7 is a top view of the pressure washer pump of FIG. 1.

FIG. 8 is a rear, left, bottom perspective view of the pressure washer pump of FIG. 1.

FIG. 9 is a front, right, bottom perspective view of the pressure washer pump of FIG. 1.

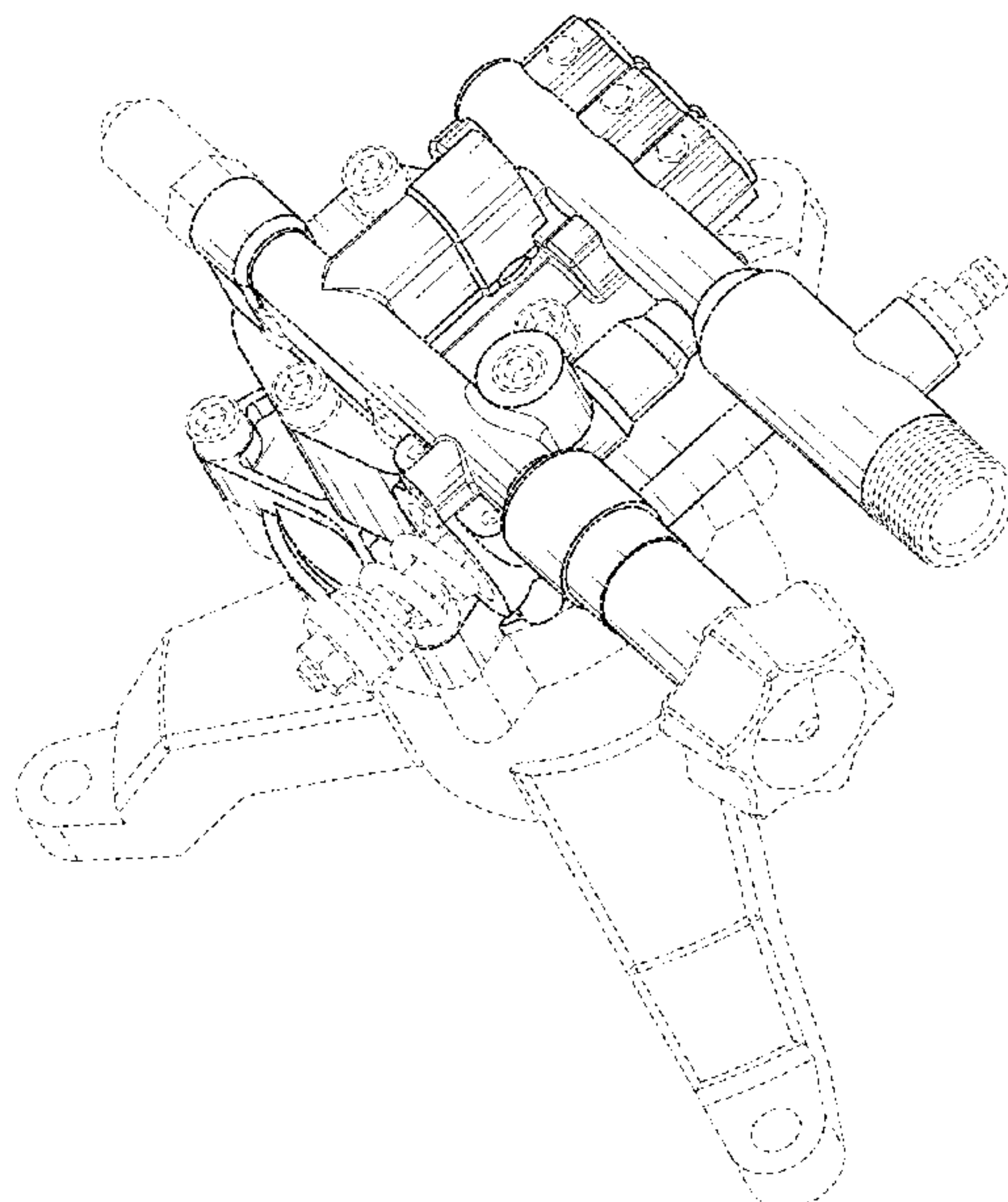
FIG. 10 is a right, rear, bottom perspective view of the pressure washer pump of FIG. 1; and,

FIG. 11 is a bottom view of the pressure washer pump of FIG. 1.

The broken lines depict portions of the pressure washer pump and form no part of the claimed design.

The lighter solid lines denote surfaces and contours. Line shading is not surface ornamentation.

**1 Claim, 11 Drawing Sheets**



(56)

**References Cited**

U.S. PATENT DOCUMENTS

D900,164 S \* 10/2020 Zhang ..... D15/7  
2012/0294746 A1 \* 11/2012 Eschrich ..... F04B 53/007  
417/571

OTHER PUBLICATIONS

Homelite | Universal 2800 psi Power Pressure Washer Water Pump,  
(site visited May 1, 2020), Sold at Aazon.com URL:<<https://www.amazon.com/dp/B006ZOVQ3A/>> (Year: 2020).\*

\* cited by examiner

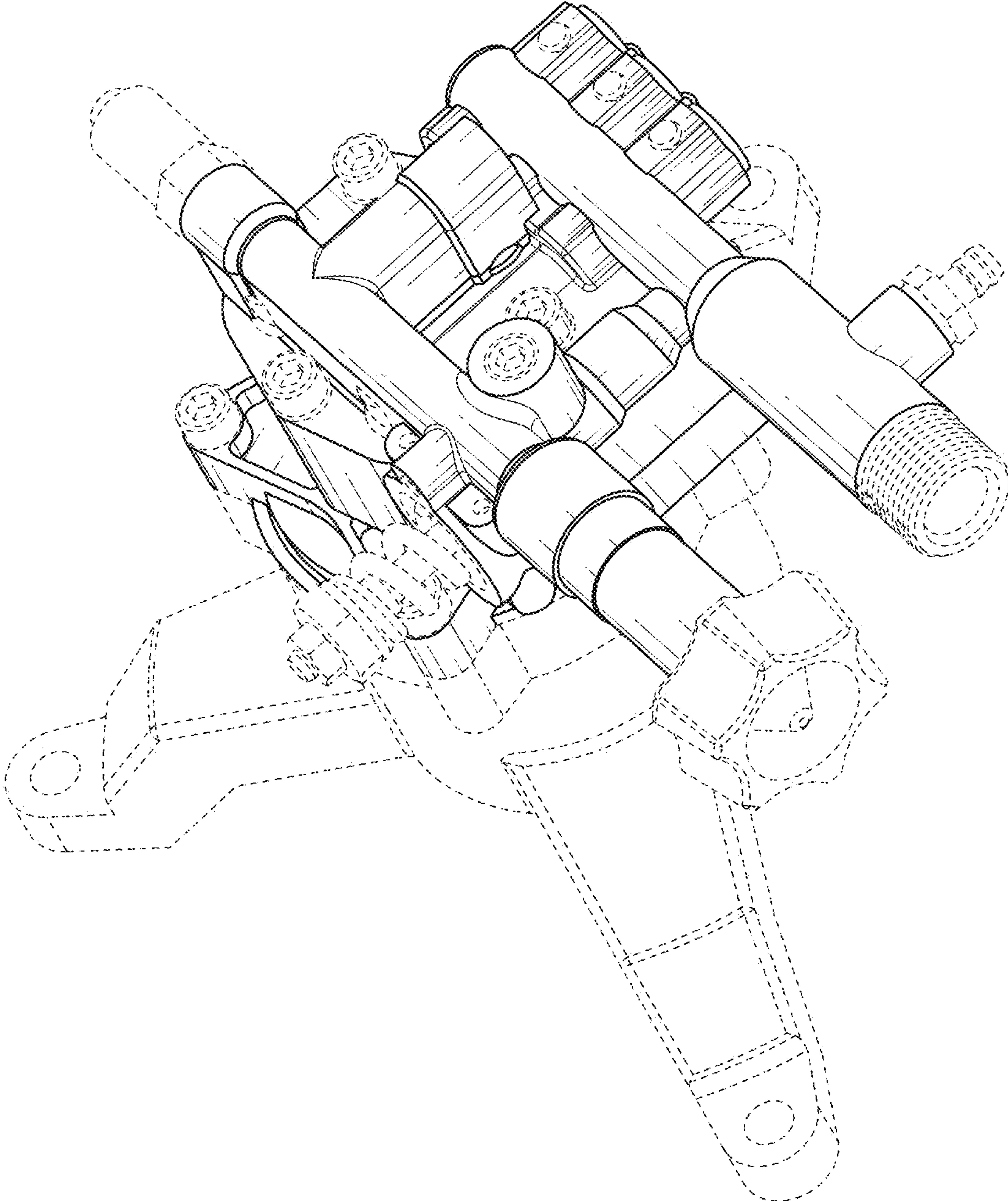


FIG. 1



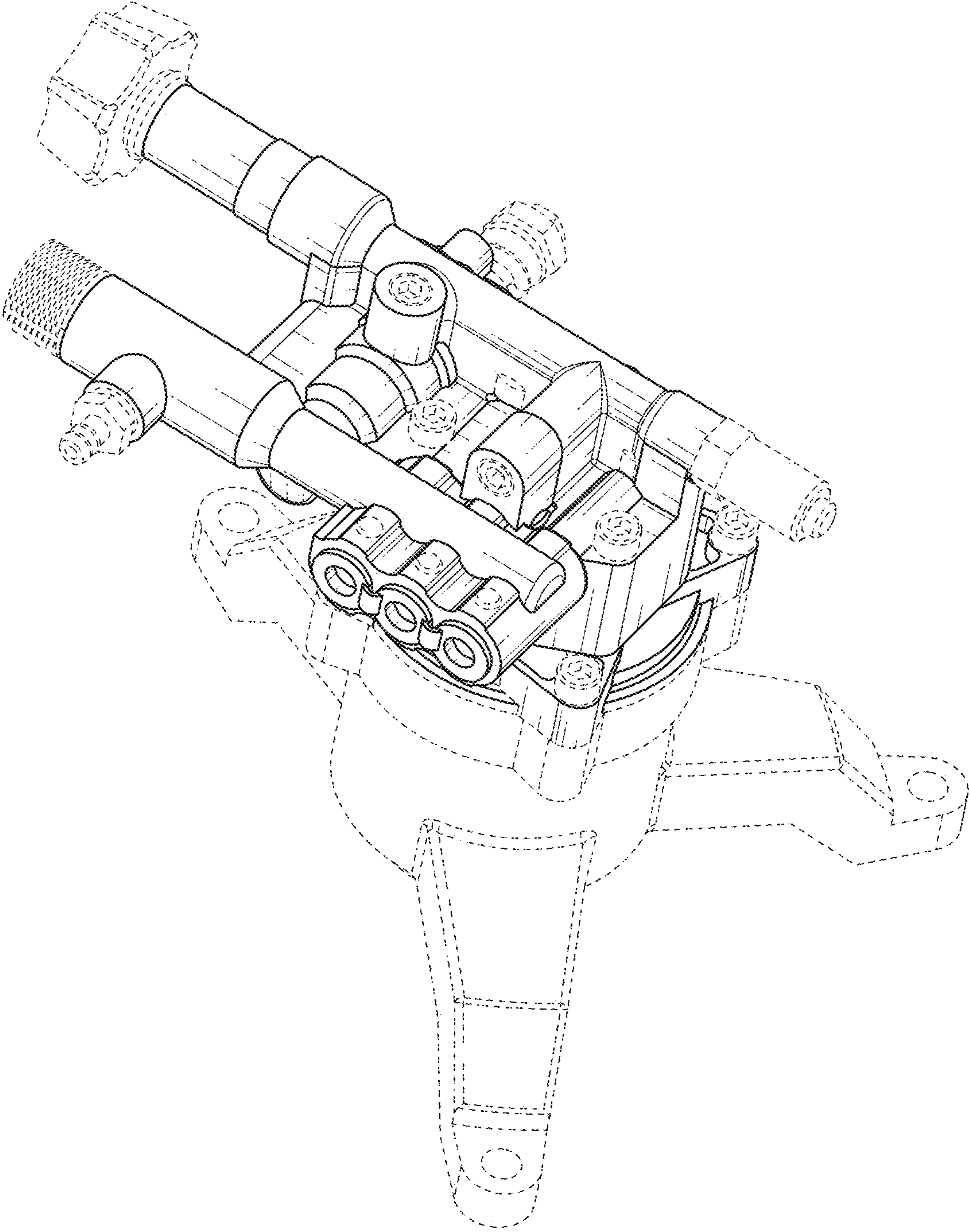


FIG. 2

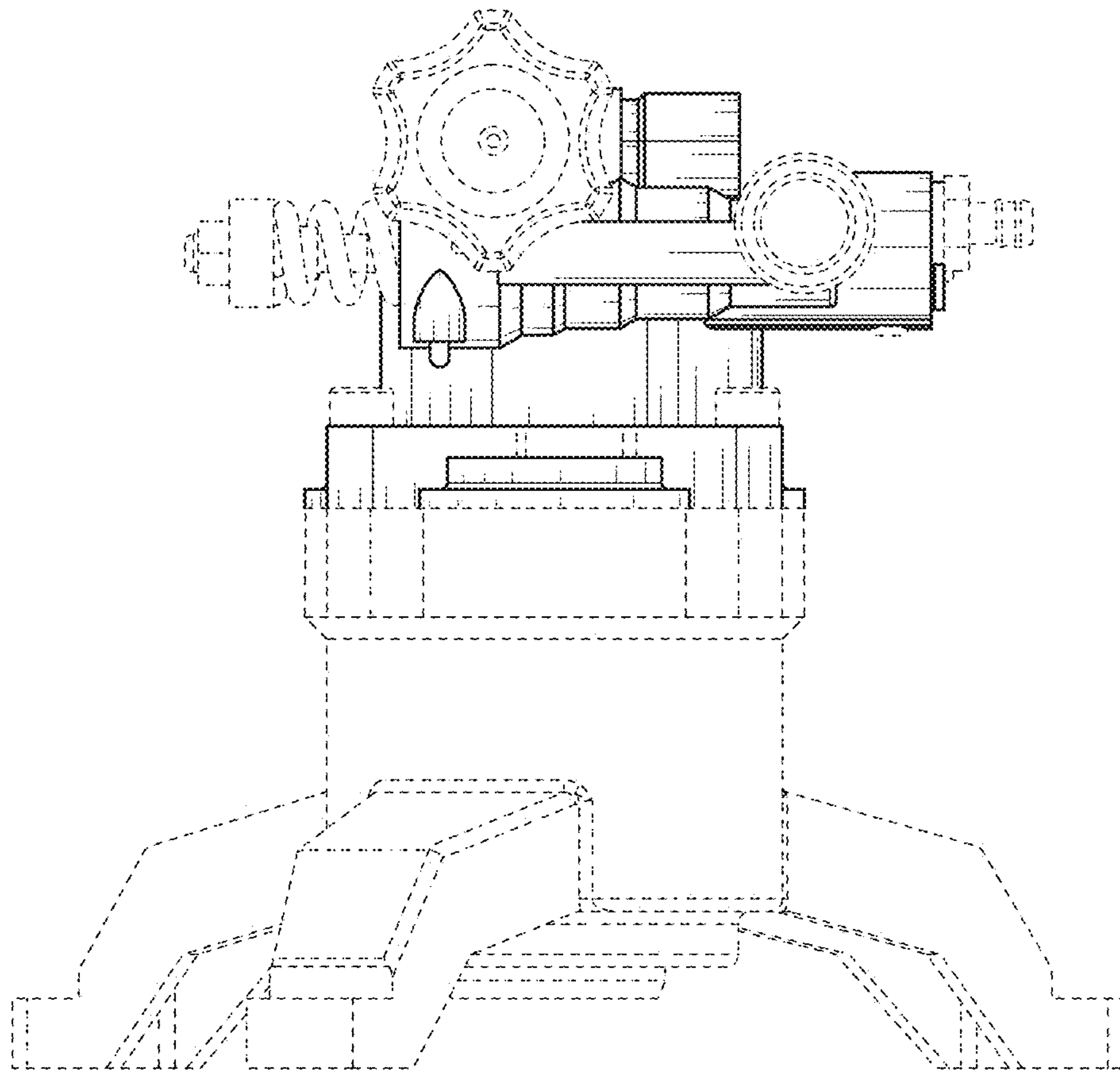


FIG. 3

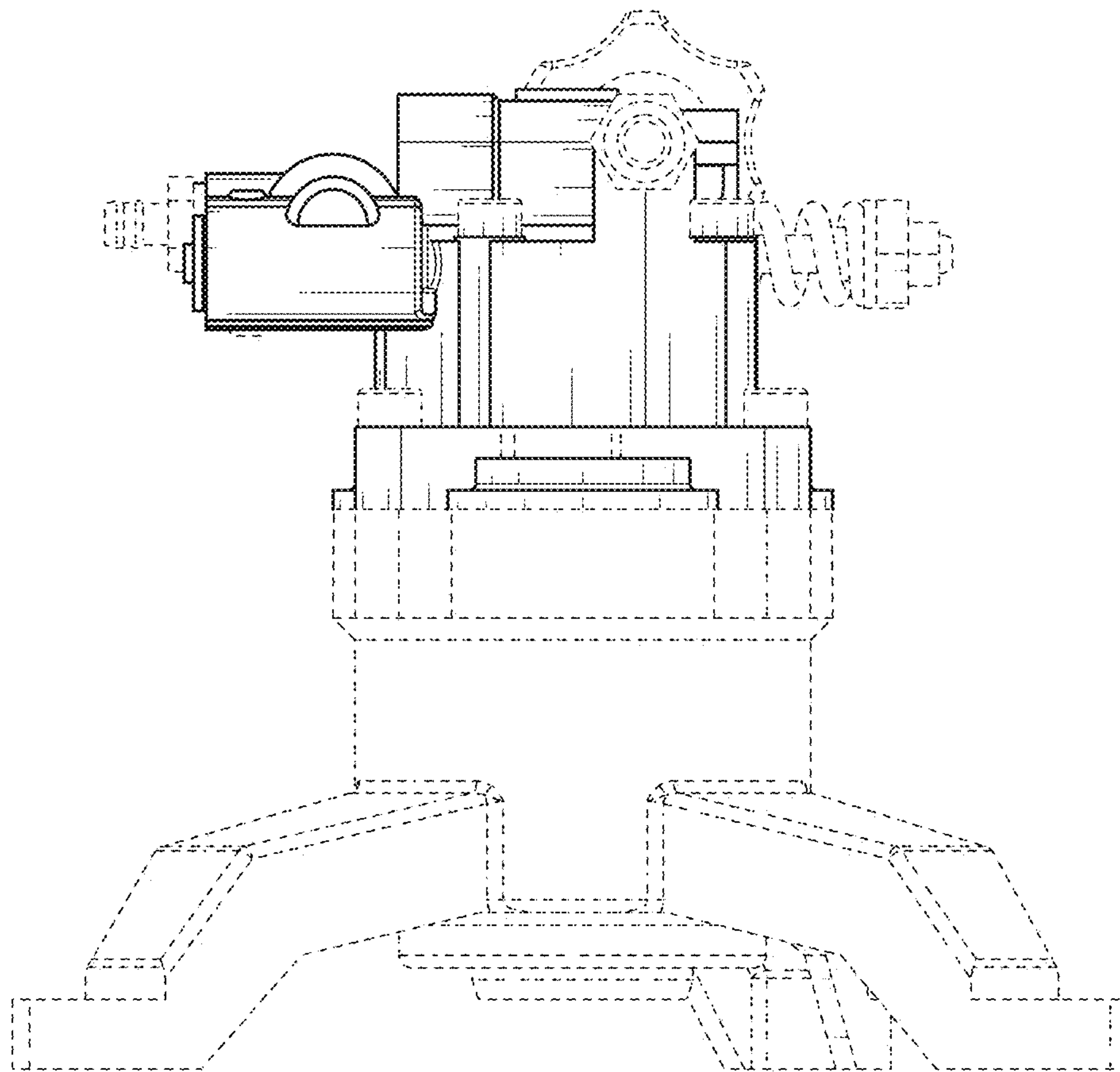


FIG. 4

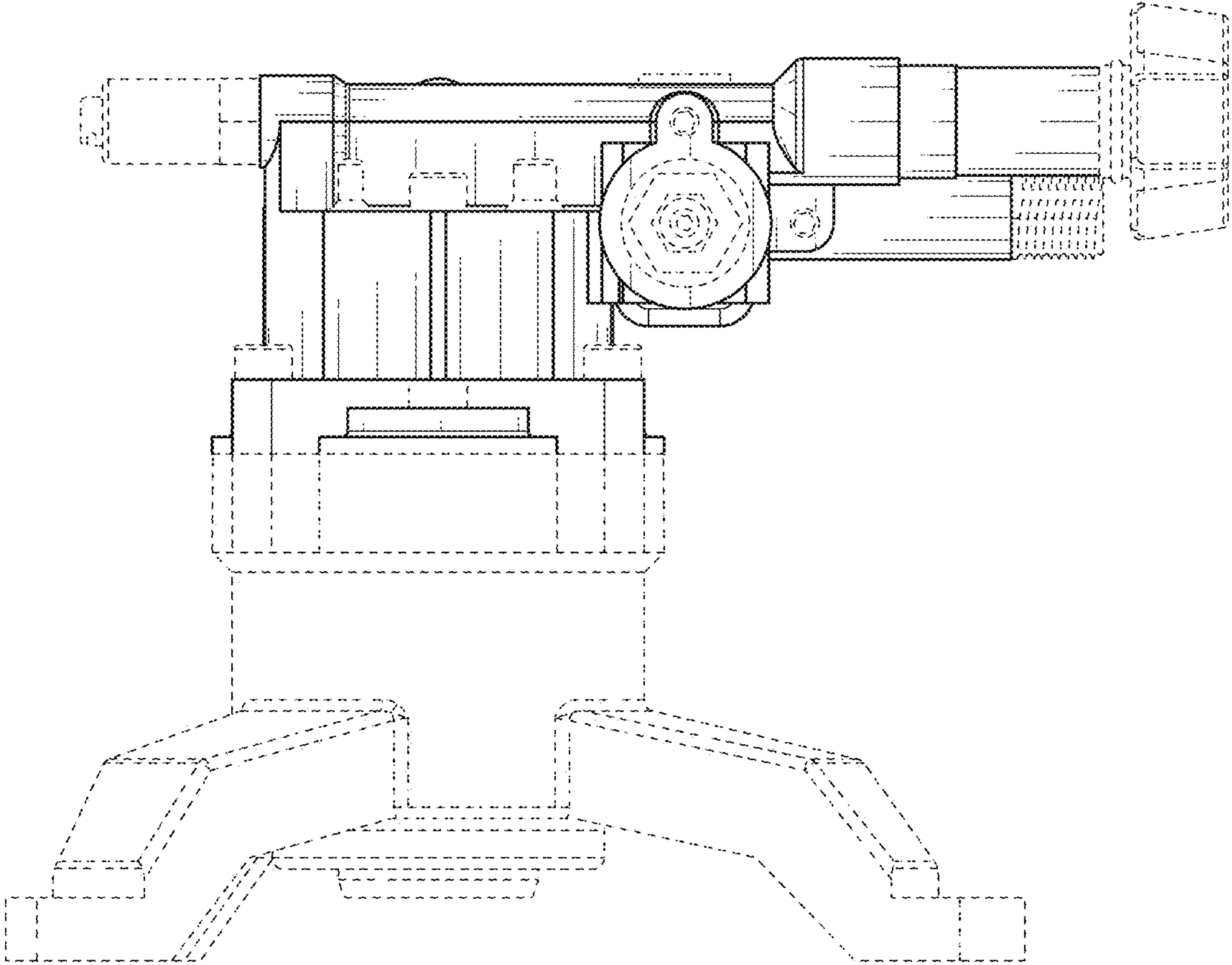


FIG. 5

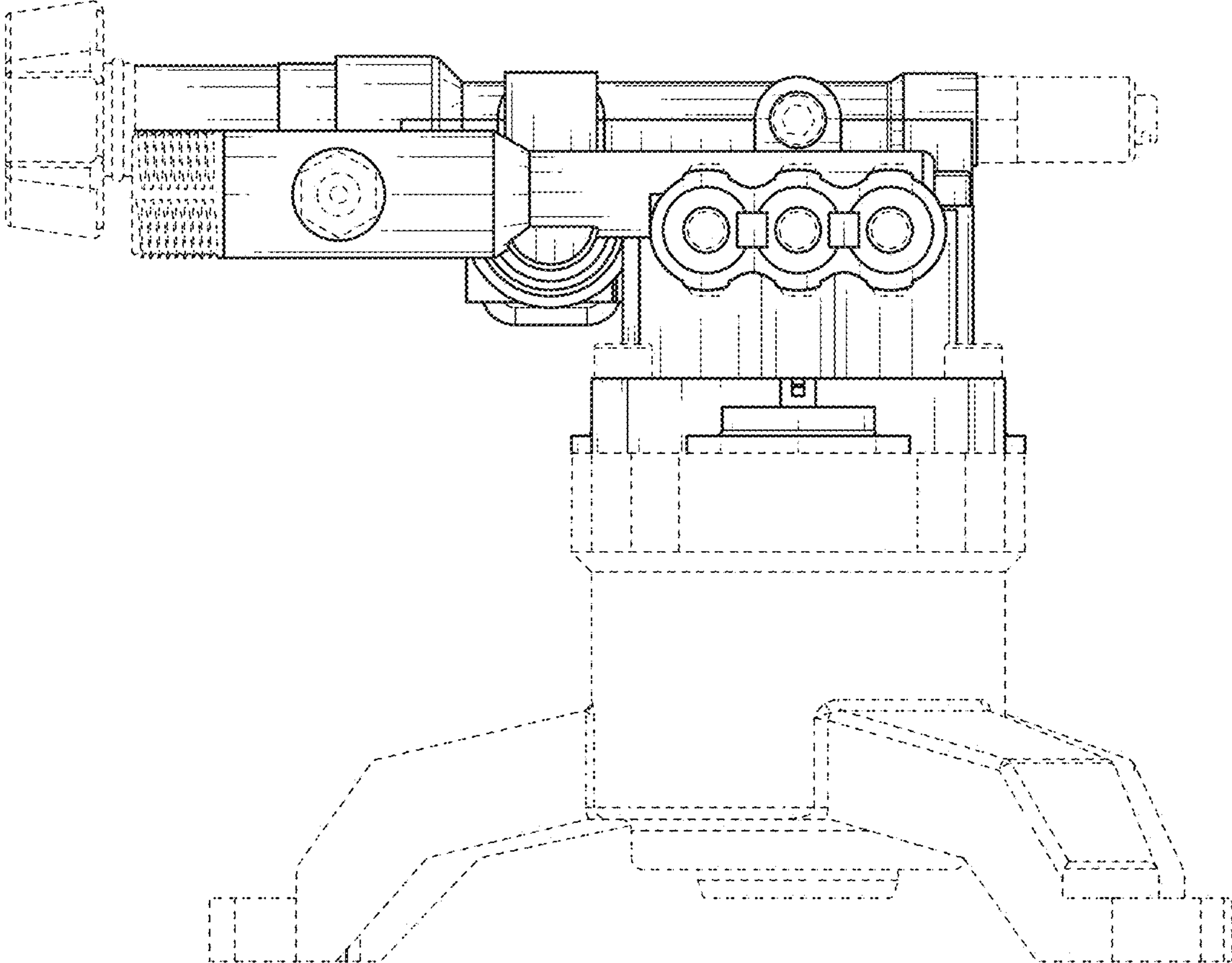


FIG. 6



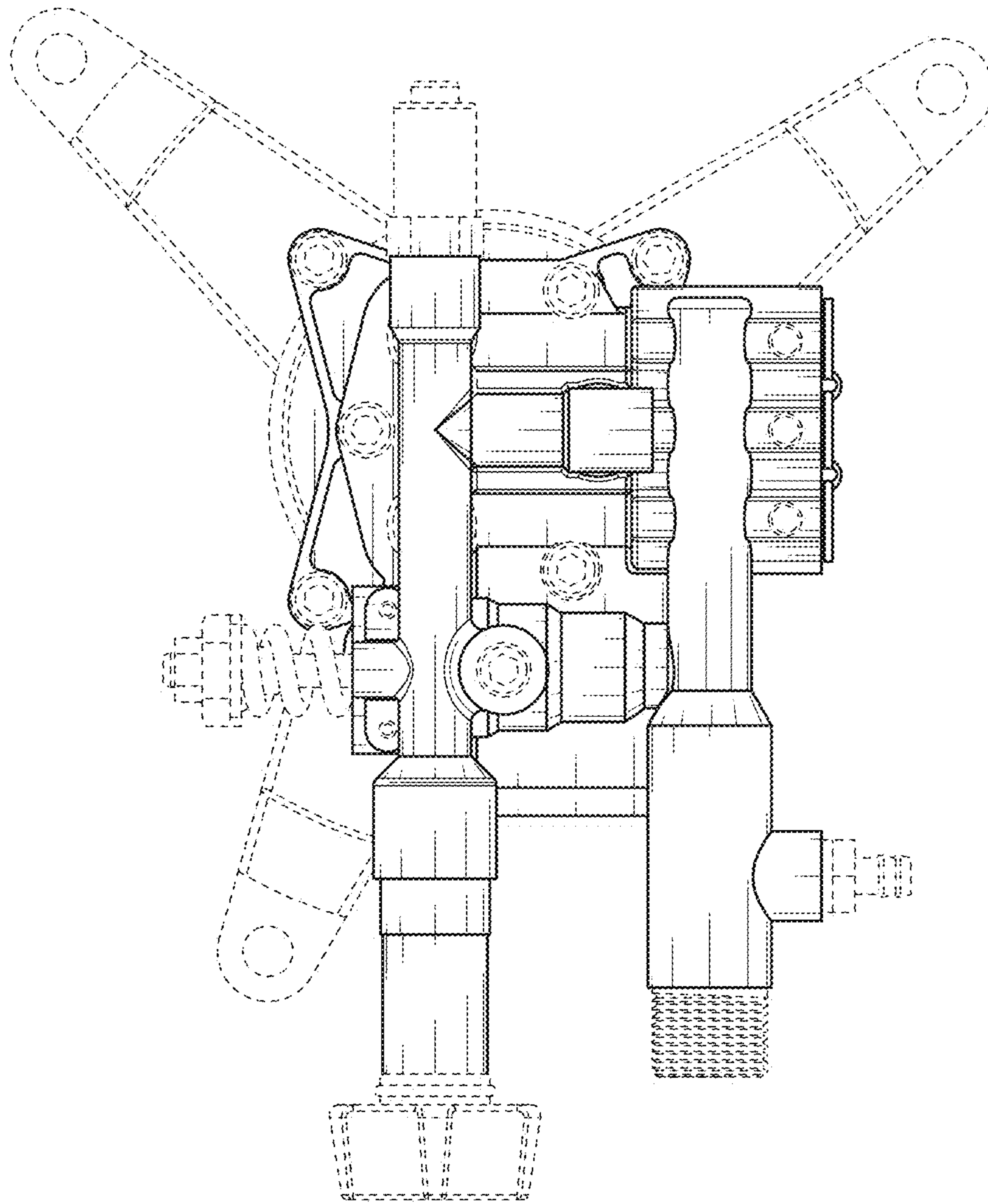


FIG. 7

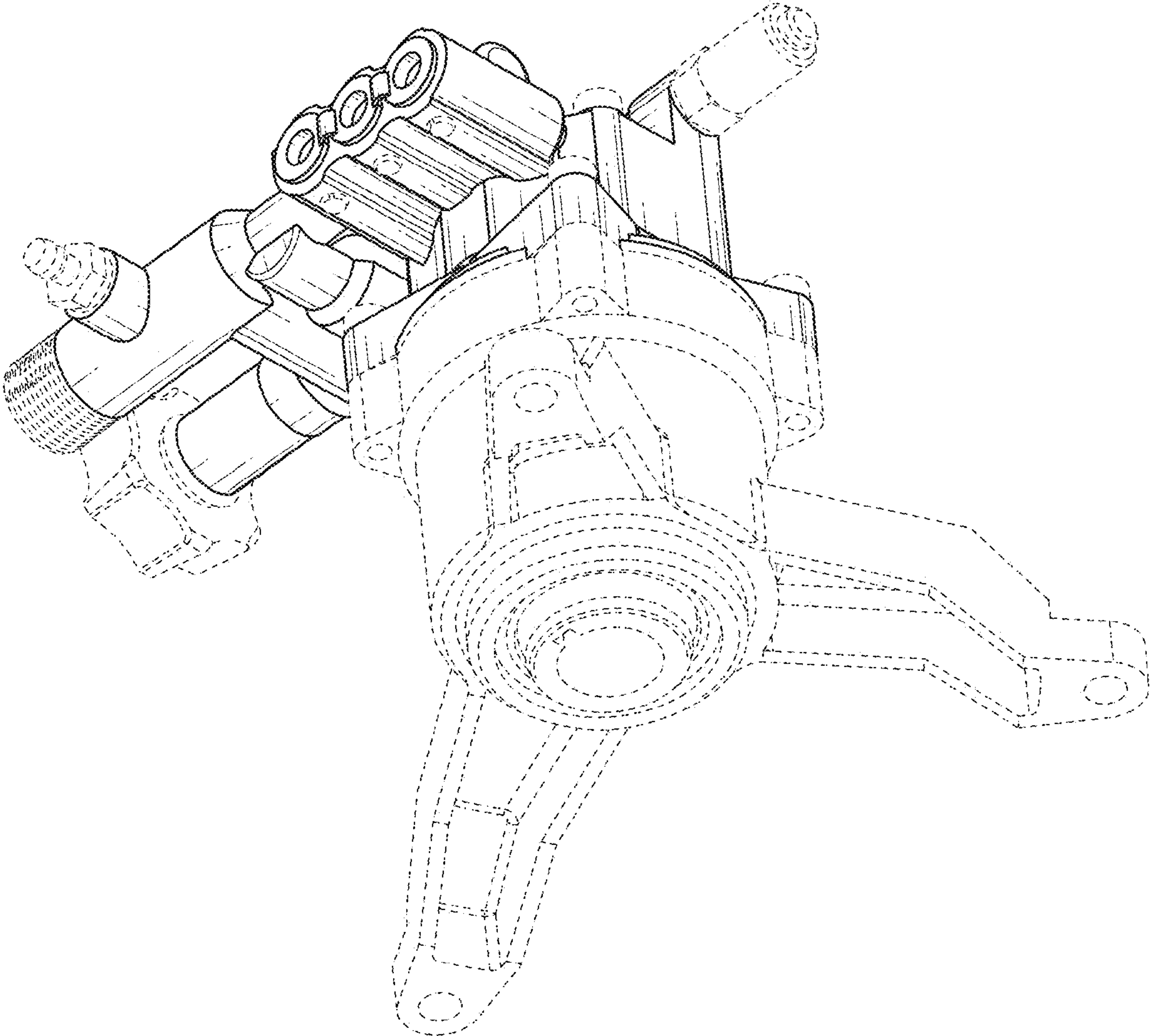


FIG. 8

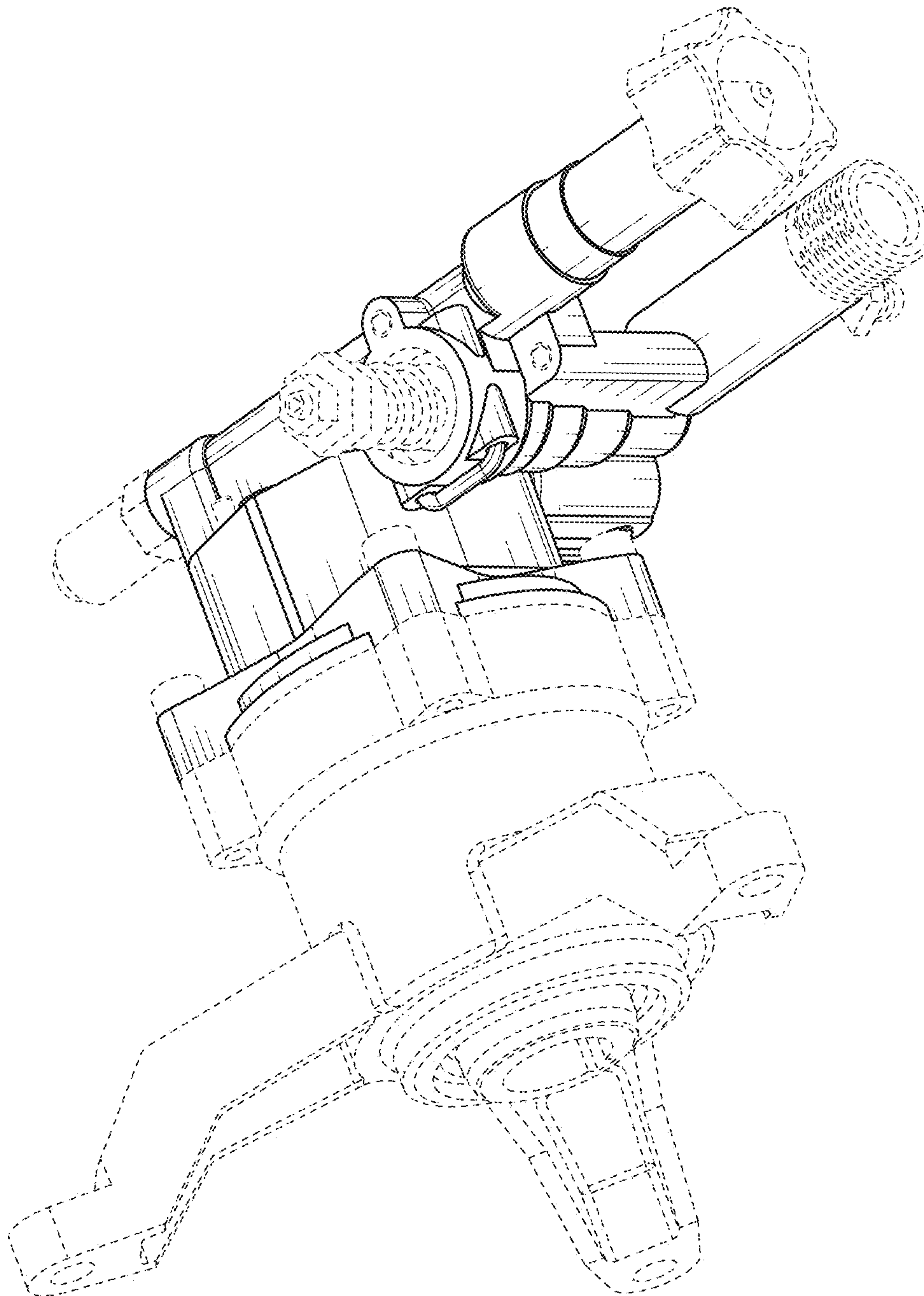


FIG. 9

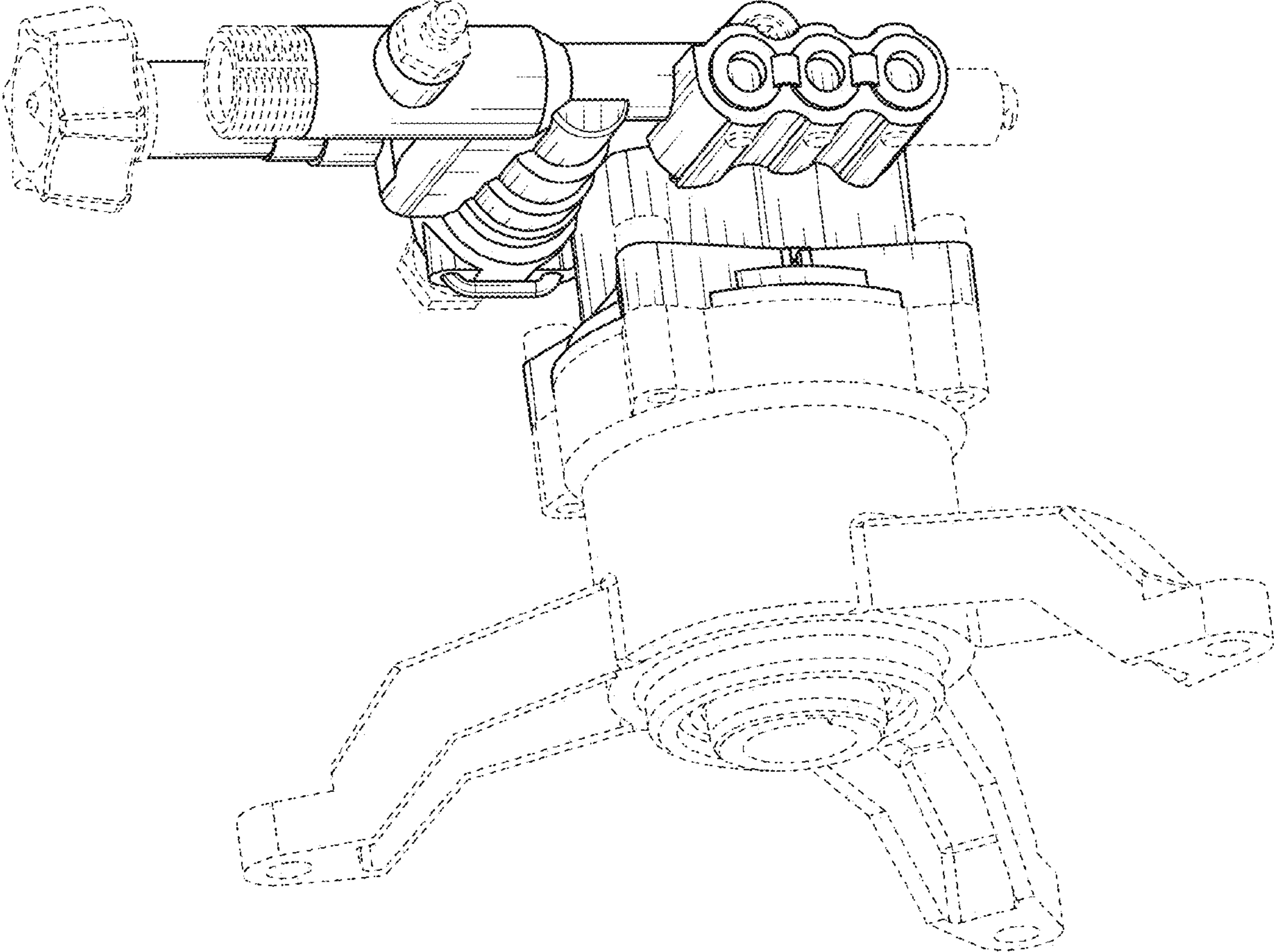


FIG. 10



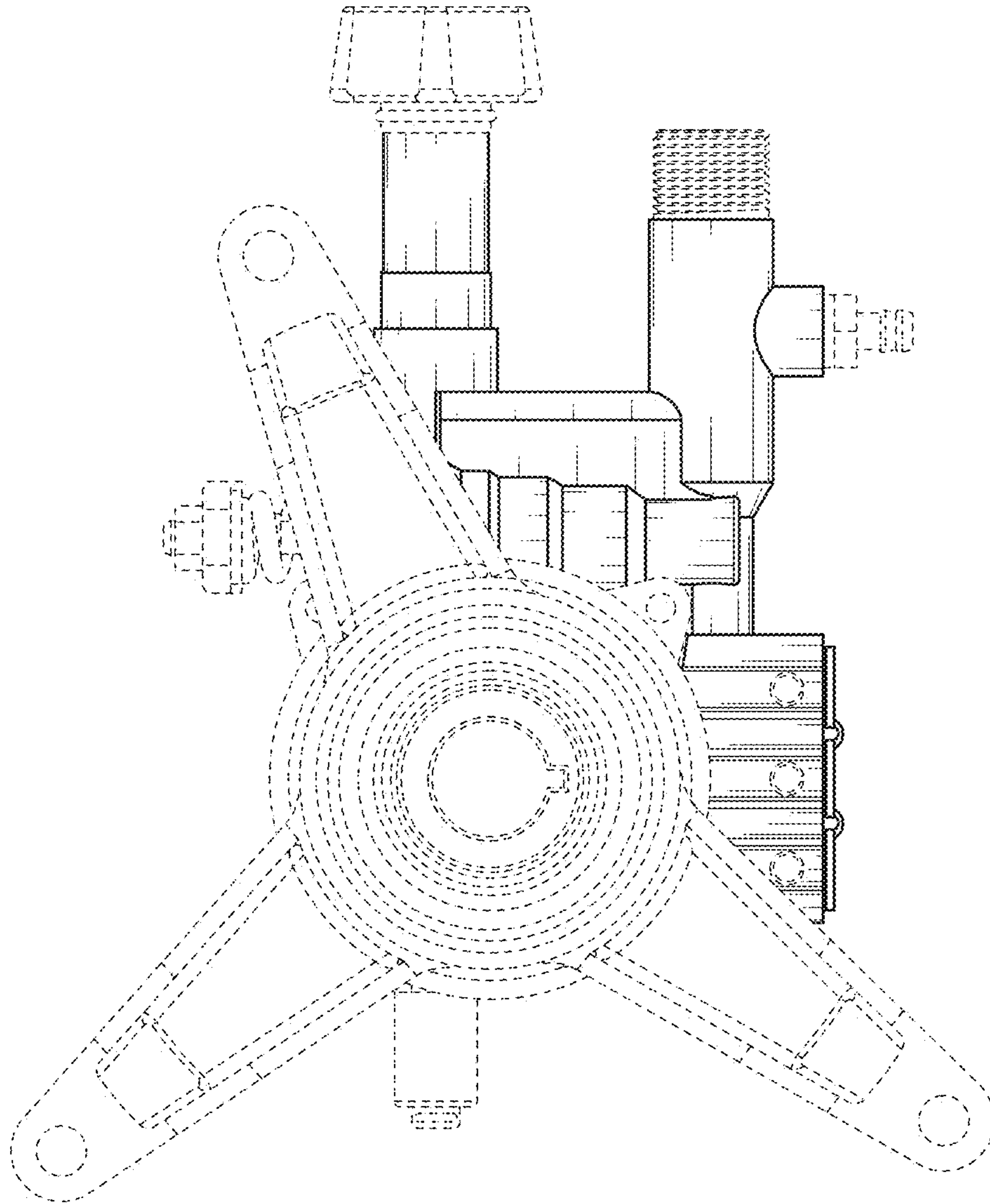


FIG. 11