



US00D936106S

(12) **United States Design Patent** (10) **Patent No.:** **US D936,106 S**  
**Chang** (45) **Date of Patent:** **\*\* Nov. 16, 2021**

(54) **MOTOR ASSEMBLY FOR AN ELECTRIC SCOOTER**

(71) Applicant: **FUKUTA ELECTRIC & MACHINERY CO., LTD.**, Taichung (TW)

(72) Inventor: **Chin Feng Chang**, Taichung (TW)

(73) Assignee: **FUKUTA ELECTRIC & MACHINERY CO., LTD.**, Taichung (TW)

(\*\*) Term: **15 Years**

(21) Appl. No.: **29/767,723**

(22) Filed: **Jan. 25, 2021**

**Related U.S. Application Data**

(63) Continuation-in-part of application No. 29/683,375, filed on Mar. 12, 2019, now abandoned.

(51) **LOC (13) Cl.** ..... **15-01**

(52) **U.S. Cl.**  
USPC ..... **D15/5**

(58) **Field of Classification Search**  
USPC ..... D15/1-5; D13/113, 112  
CPC ..... B62M 6/75; B62M 6/65; B62K 11/00  
See application file for complete search history.

(56) **References Cited**

**U.S. PATENT DOCUMENTS**

D857,627 S \* 8/2019 Polini ..... D13/112  
2010/0131164 A1 \* 5/2010 Carter ..... F16H 15/52  
701/61

2013/0341112 A1 \* 12/2013 Shiraiishi ..... H02K 1/185  
180/206.4  
2018/0162355 A1 \* 6/2018 Colavincenzo ..... B60W 20/40  
2018/0162371 A1 \* 6/2018 Colavincenzo ..... B60L 7/10  
2019/0337382 A1 \* 11/2019 Yu ..... B60K 7/0007  
2020/0047847 A1 \* 2/2020 Chang ..... B62M 11/10  
2020/0047848 A1 \* 2/2020 Chang ..... B62M 7/12

\* cited by examiner

*Primary Examiner* — Ania Aman

(74) *Attorney, Agent, or Firm* — Sinorica, LLC

(57) **CLAIM**

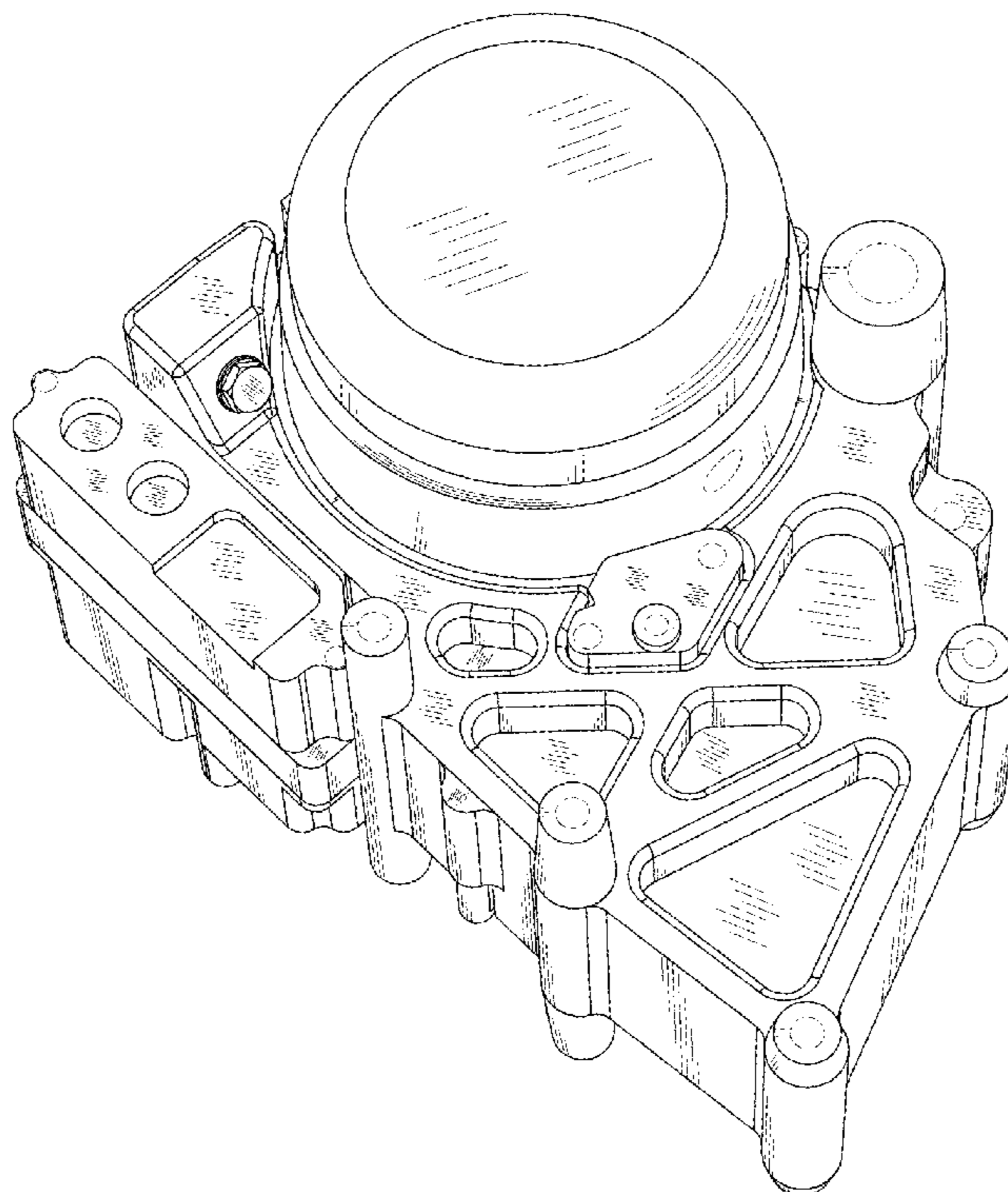
The ornamental design for a motor assembly for an electric scooter, as shown and described.

**DESCRIPTION**

FIG. 1 is a front top perspective view of a motor assembly for an electric scooter in accordance with the present invention;  
FIG. 2 is a rear top perspective view thereof;  
FIG. 3 is a front bottom perspective view thereof;  
FIG. 4 is a rear bottom perspective view thereof;  
FIG. 5 is a front view of FIG. 1;  
FIG. 6 is a rear view of FIG. 1;  
FIG. 7 is a left view of FIG. 1;  
FIG. 8 is a right view of FIG. 1;  
FIG. 9 is a top view of FIG. 1; and,  
FIG. 10 is a bottom view of FIG. 1.

The broken lines in the drawings are for the purpose of illustrating portions of the motor assembly for an electric scooter that form no part of the claimed design.

**1 Claim, 10 Drawing Sheets**



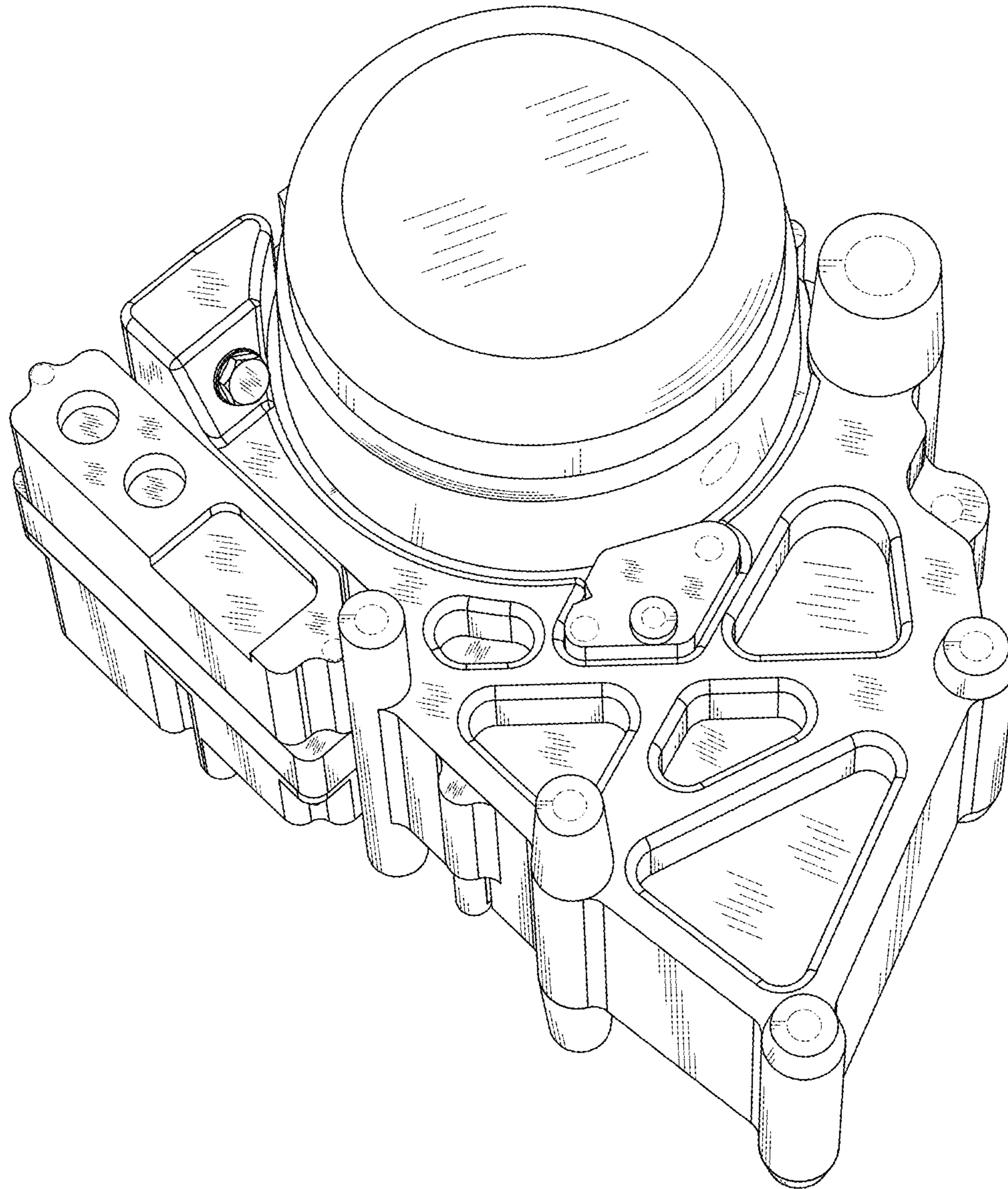


FIG. 1

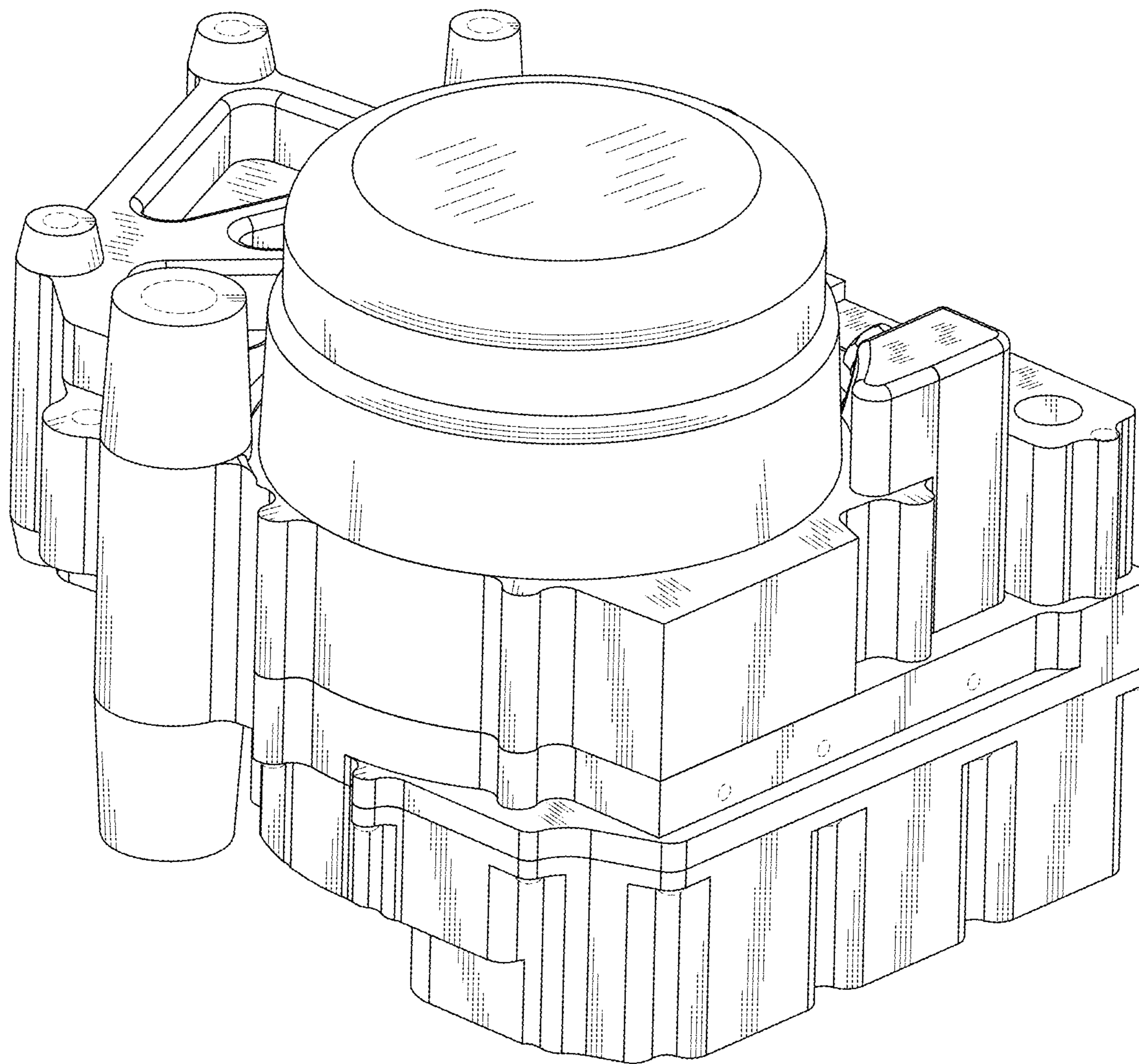


FIG. 2

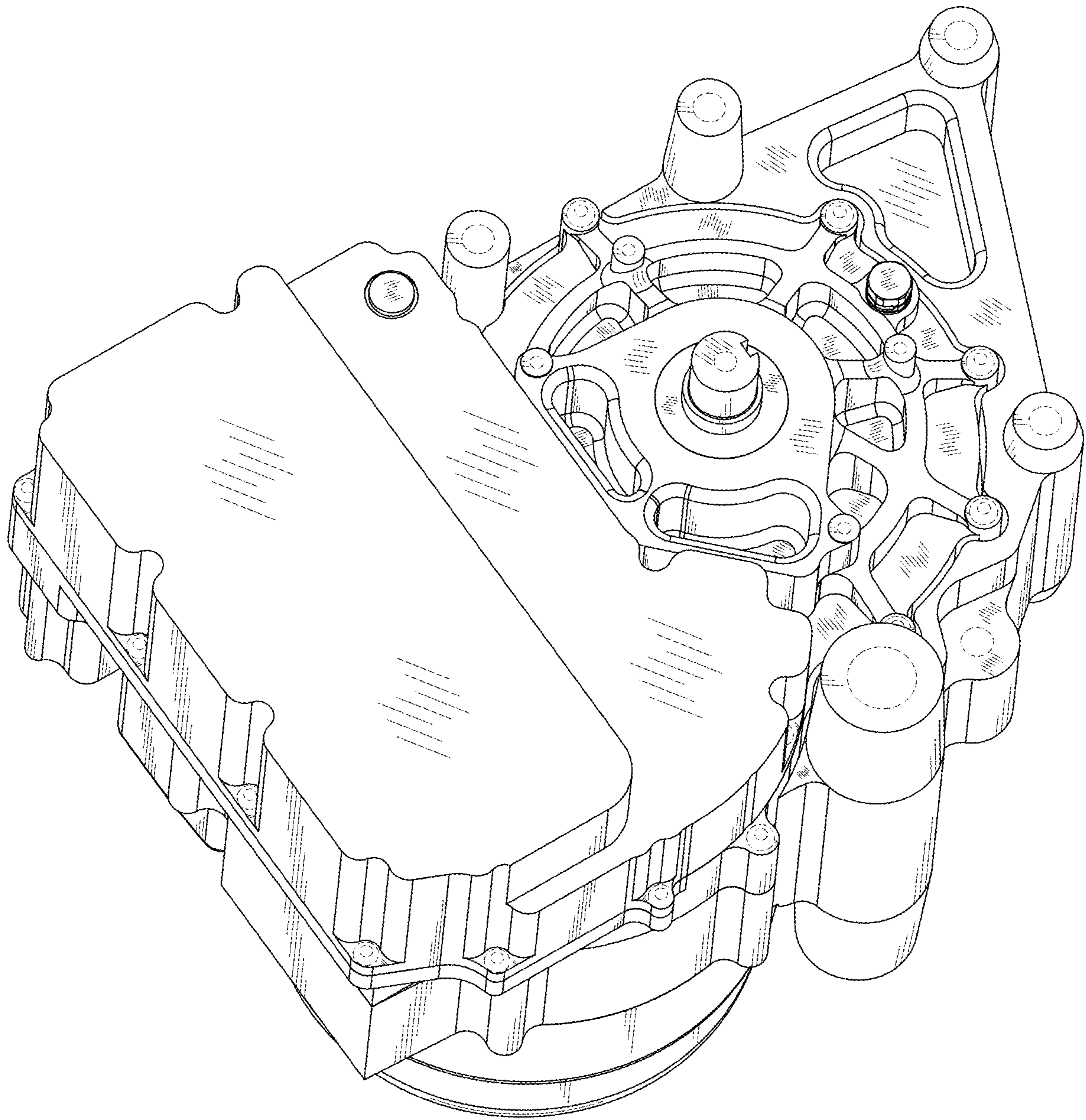


FIG. 3

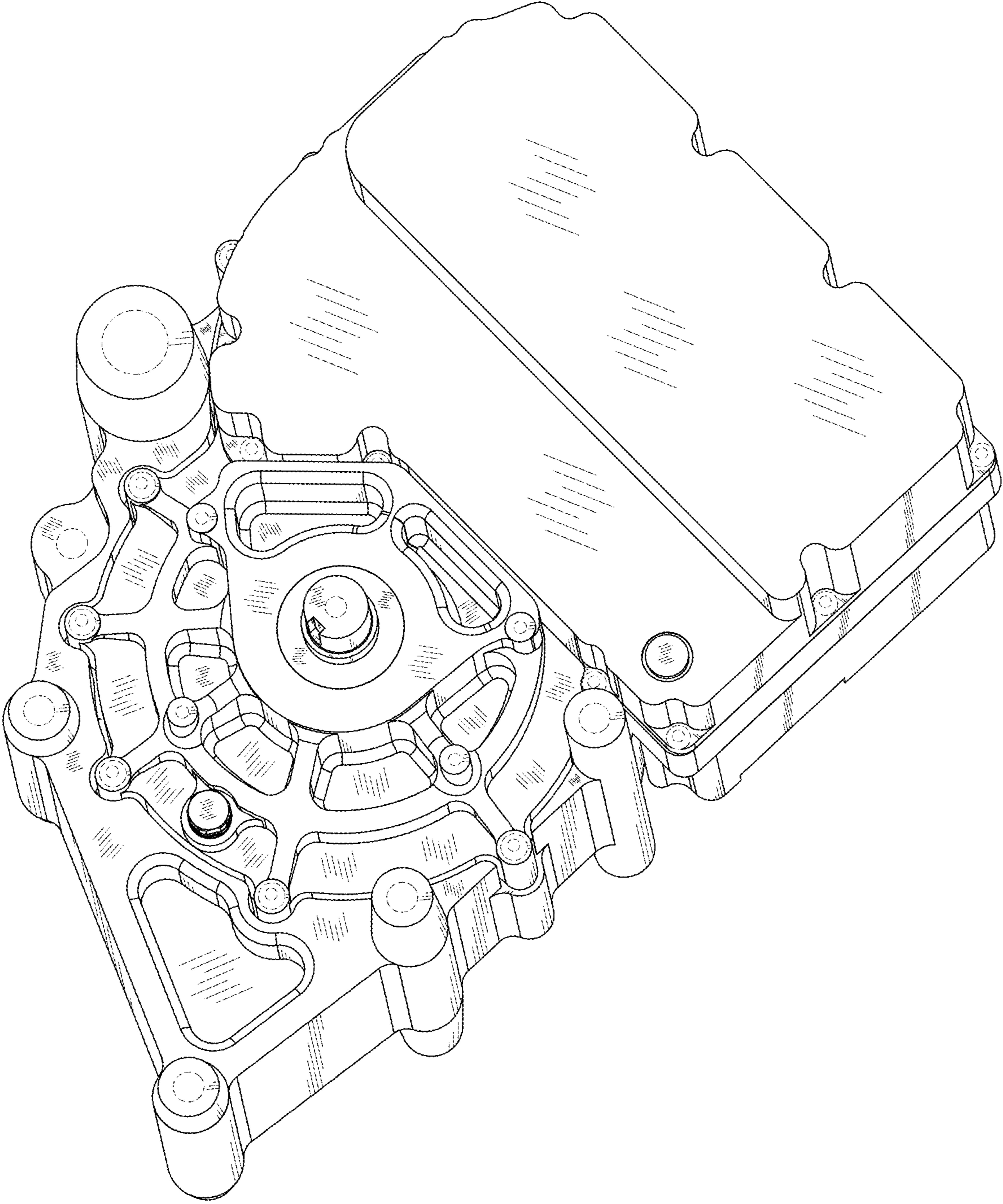


FIG. 4

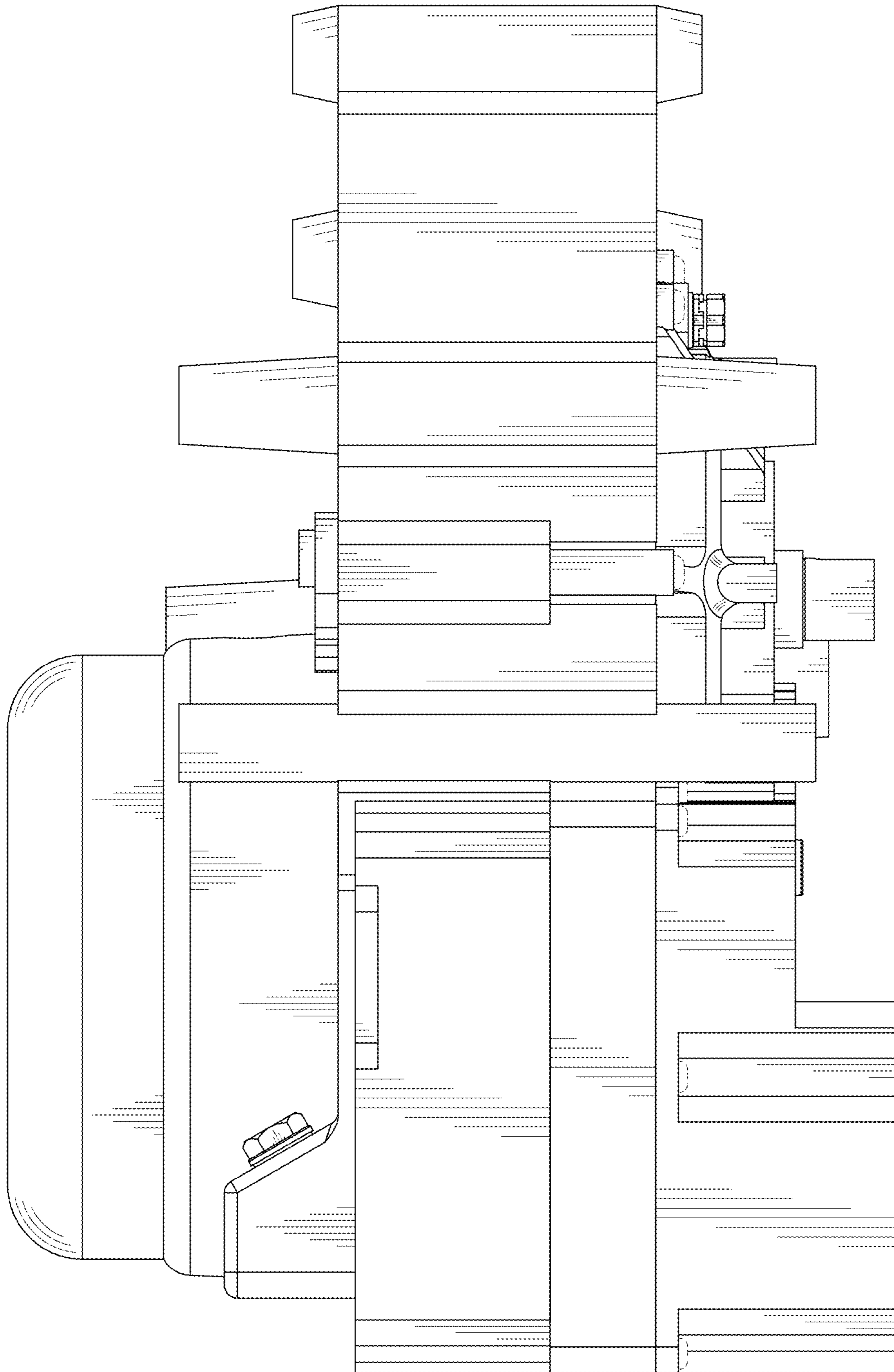


FIG. 5



FIG. 6

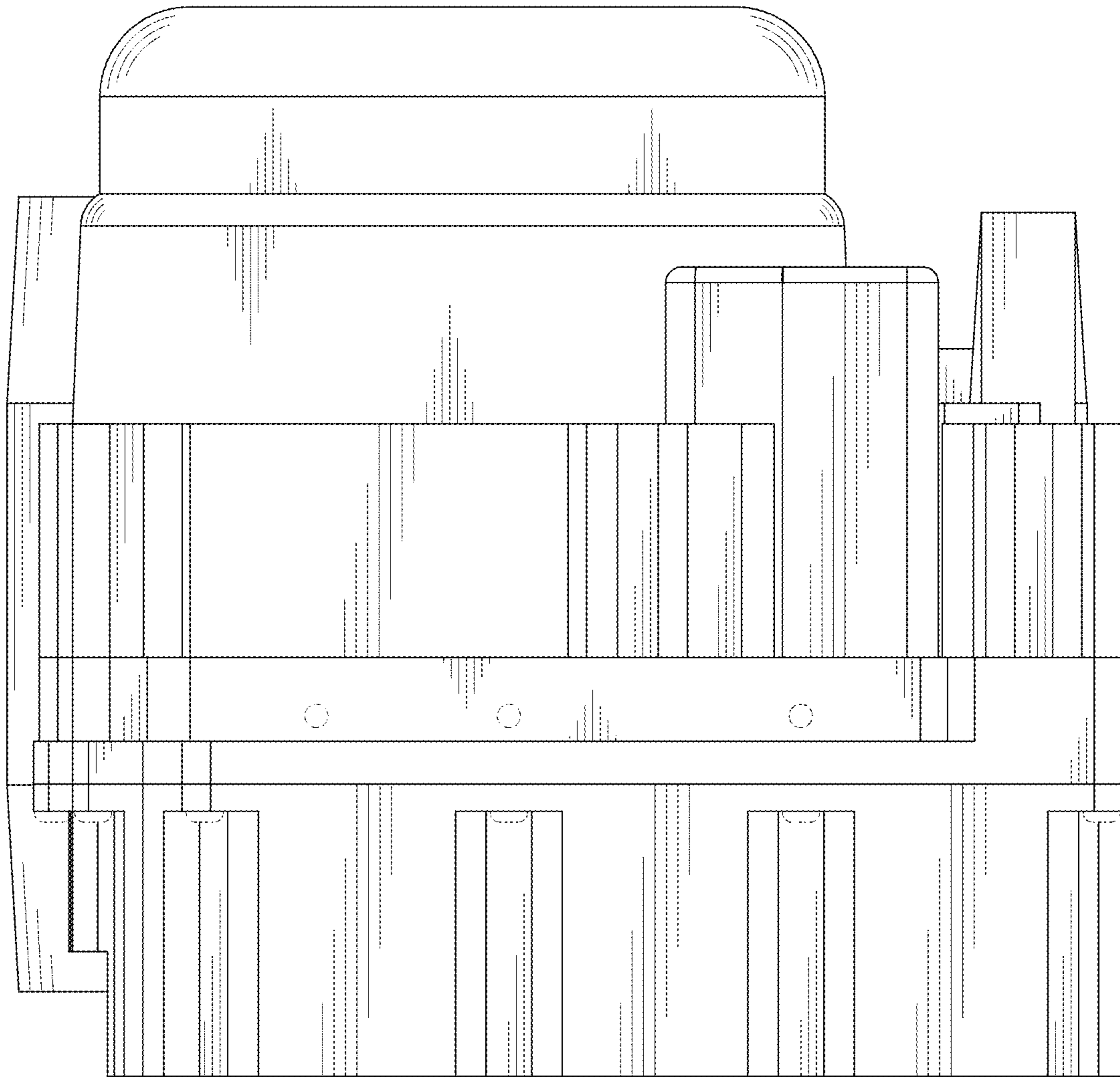


FIG. 7



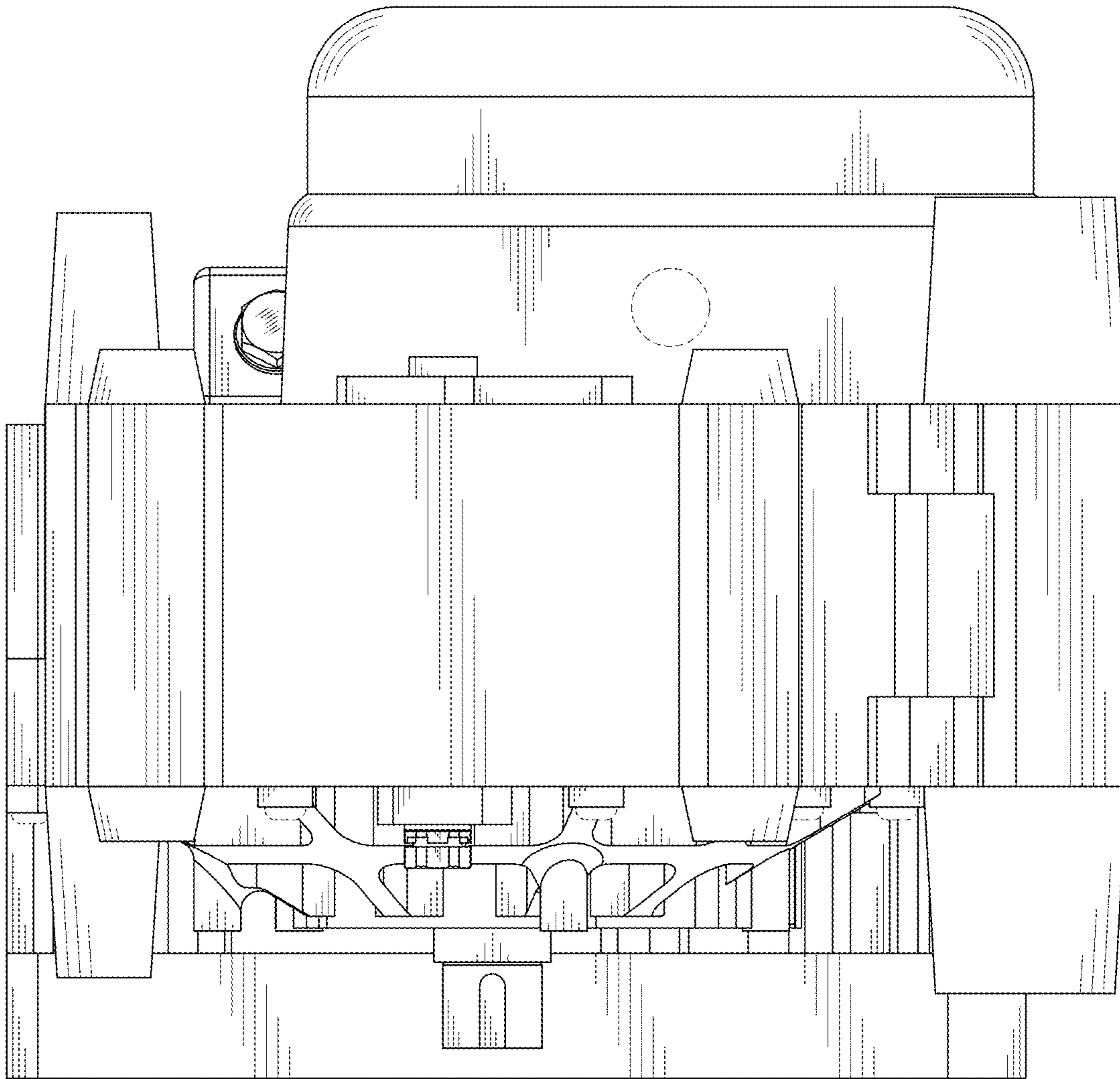


FIG. 8

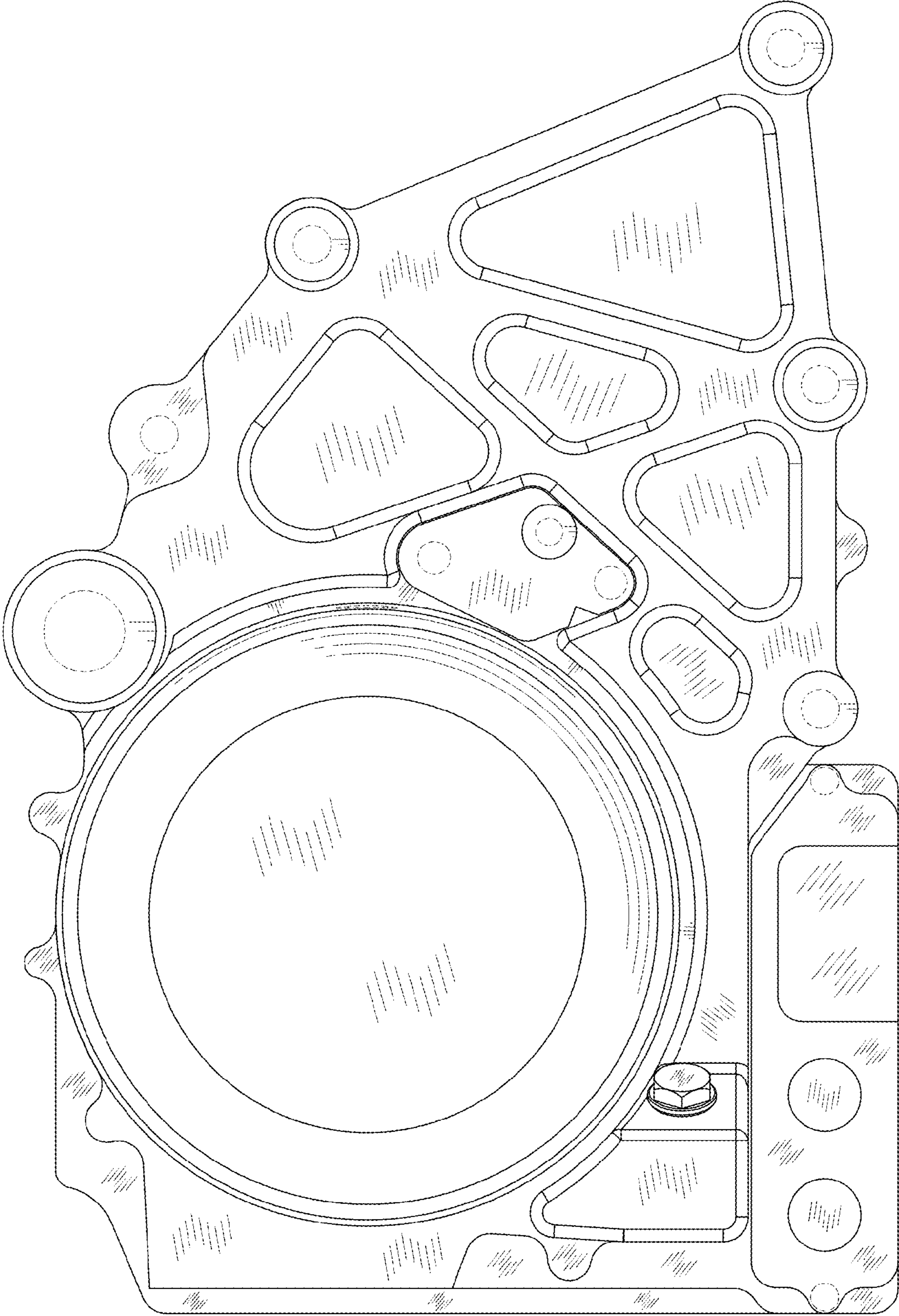


FIG. 9

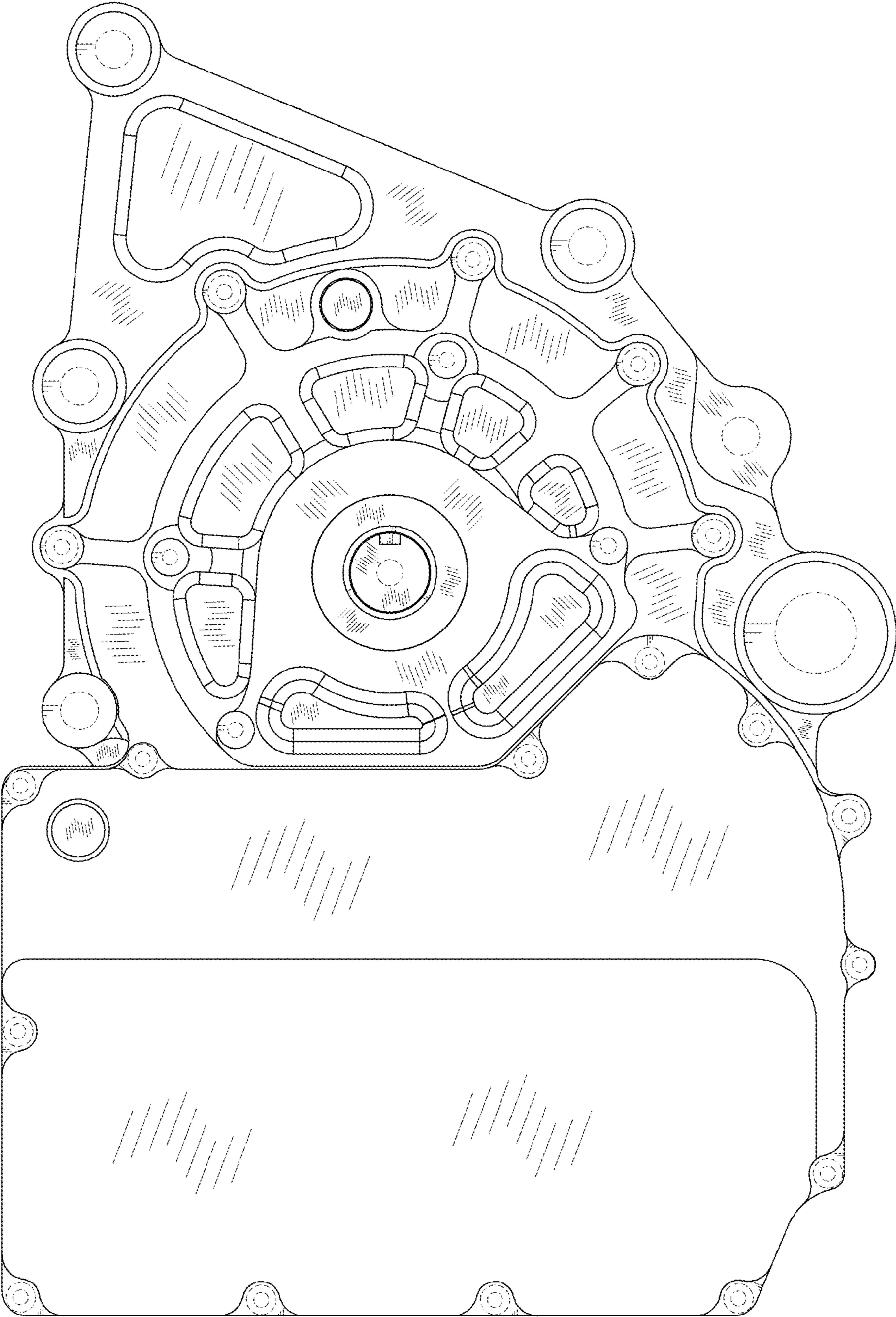


FIG. 10