



US00D936105S

(12) **United States Design Patent** (10) **Patent No.:** **US D936,105 S**
Chang (45) **Date of Patent:** **** Nov. 16, 2021**

(54) **MOTOR ASSEMBLY FOR AN ELECTRIC SCOOTER**

(71) Applicant: **FUKUTA ELECTRIC & MACHINERY CO., LTD.**, Taichung (TW)

(72) Inventor: **Chin Feng Chang**, Taichung (TW)

(73) Assignee: **FUKUTA ELECTRIC & MACHINERY CO., LTD.**, Taichung (TW)

(**) Term: **15 Years**

(21) Appl. No.: **29/749,862**

(22) Filed: **Sep. 9, 2020**

Related U.S. Application Data

(63) Continuation-in-part of application No. 29/653,550, filed on Jun. 15, 2018, now abandoned.

(51) **LOC (13) Cl.** **15-01**

(52) **U.S. Cl.**
USPC **D15/5**

(58) **Field of Classification Search**
USPC D15/1-5; D13/113, 112
CPC B62M 6/75; B62M 6/65; B62K 11/00
See application file for complete search history.

(56) **References Cited**

U.S. PATENT DOCUMENTS

D857,627 S * 8/2019 Polini D13/112
2010/0131164 A1 * 5/2010 Carter F16H 15/52
701/61

2013/0341112 A1 * 12/2013 Shiraiishi H02K 1/185
180/206.4
2018/0162355 A1 * 6/2018 Colavincenzo B60W 20/40
2018/0162371 A1 * 6/2018 Colavincenzo B60L 7/10
2019/0337382 A1 * 11/2019 Yu B60K 7/0007
2020/0047847 A1 * 2/2020 Chang B62M 11/10
2020/0047848 A1 * 2/2020 Chang B62M 7/12

* cited by examiner

Primary Examiner — Ania Aman

(74) *Attorney, Agent, or Firm* — Sinorica, LLC

(57) **CLAIM**

The ornamental design for a motor assembly for an electric scooter, as shown and described.

DESCRIPTION

FIG. 1 is a top front perspective view of a motor assembly for an electric scooter in accordance with the present invention;

FIG. 2 is a top rear perspective view thereof;

FIG. 3 is a bottom front perspective view thereof;

FIG. 4 is a bottom rear view perspective view thereof;

FIG. 5 is a front view thereof;

FIG. 6 is a rear view thereof;

FIG. 7 is a left view thereof;

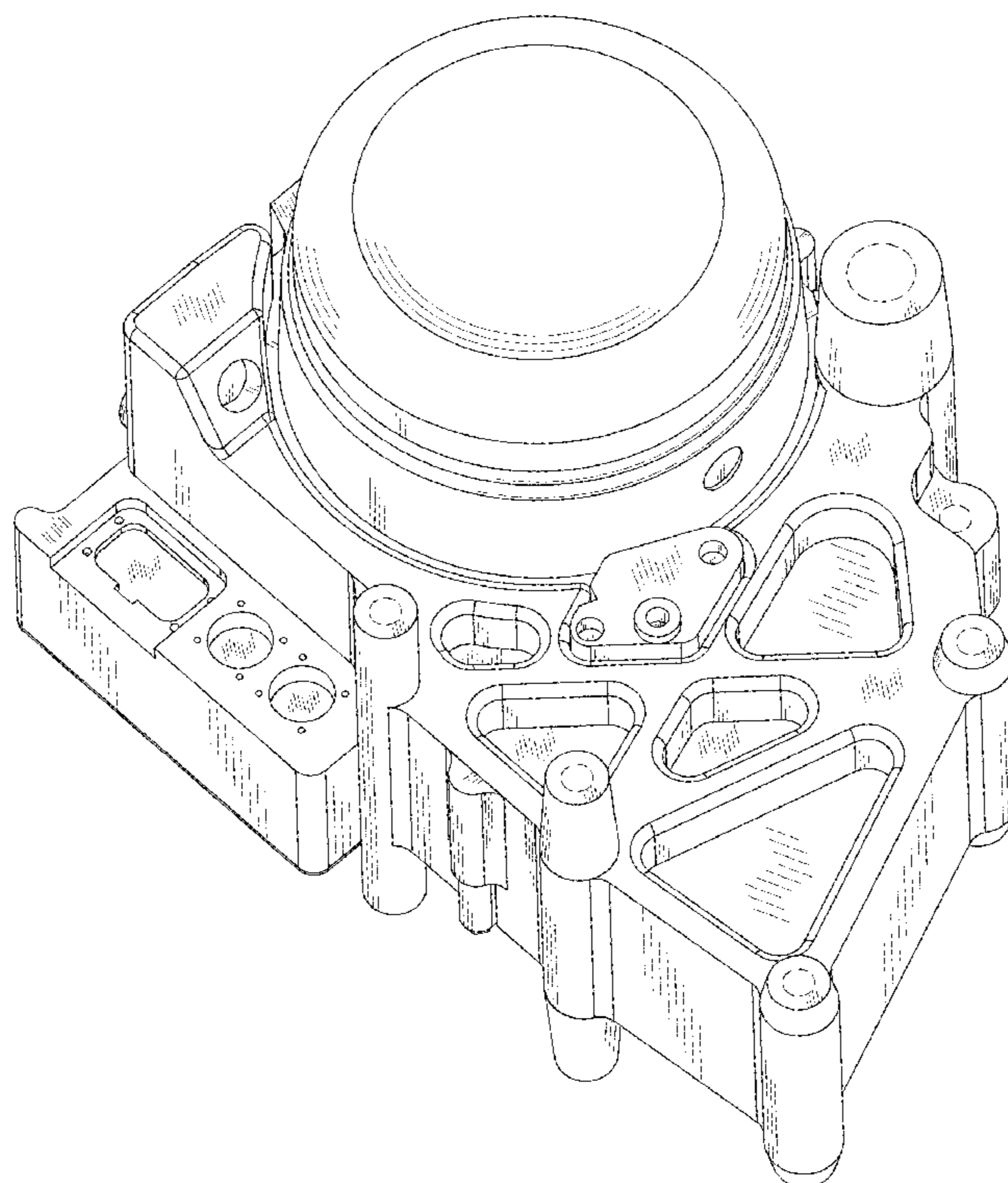
FIG. 8 is a right view thereof;

FIG. 9 is a top view thereof; and,

FIG. 10 is a bottom view thereof.

The broken line showing portions of the motor assembly for an electric scooter illustrates portions of the article and forms no part of the claimed design.

1 Claim, 10 Drawing Sheets



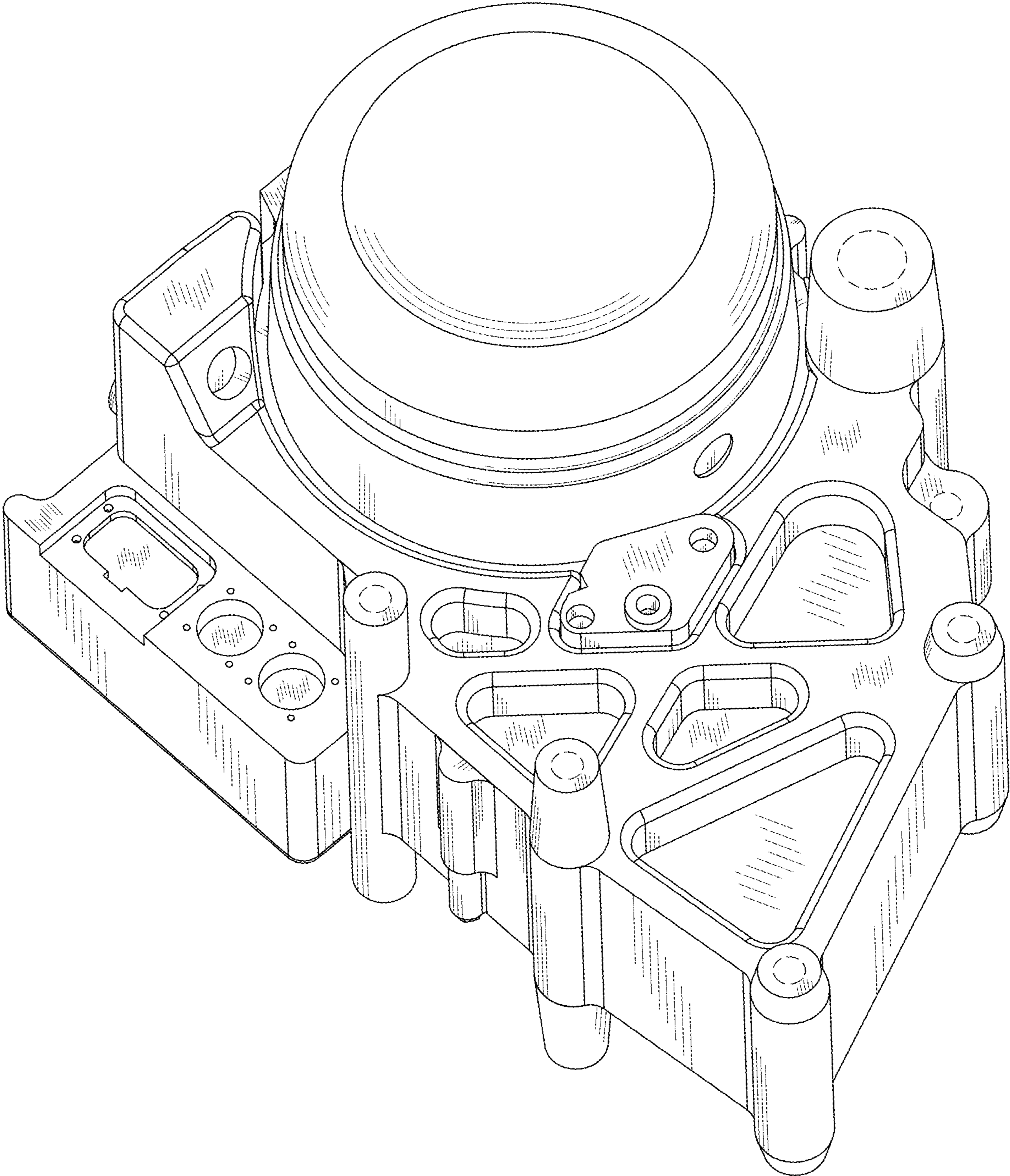


FIG. 1

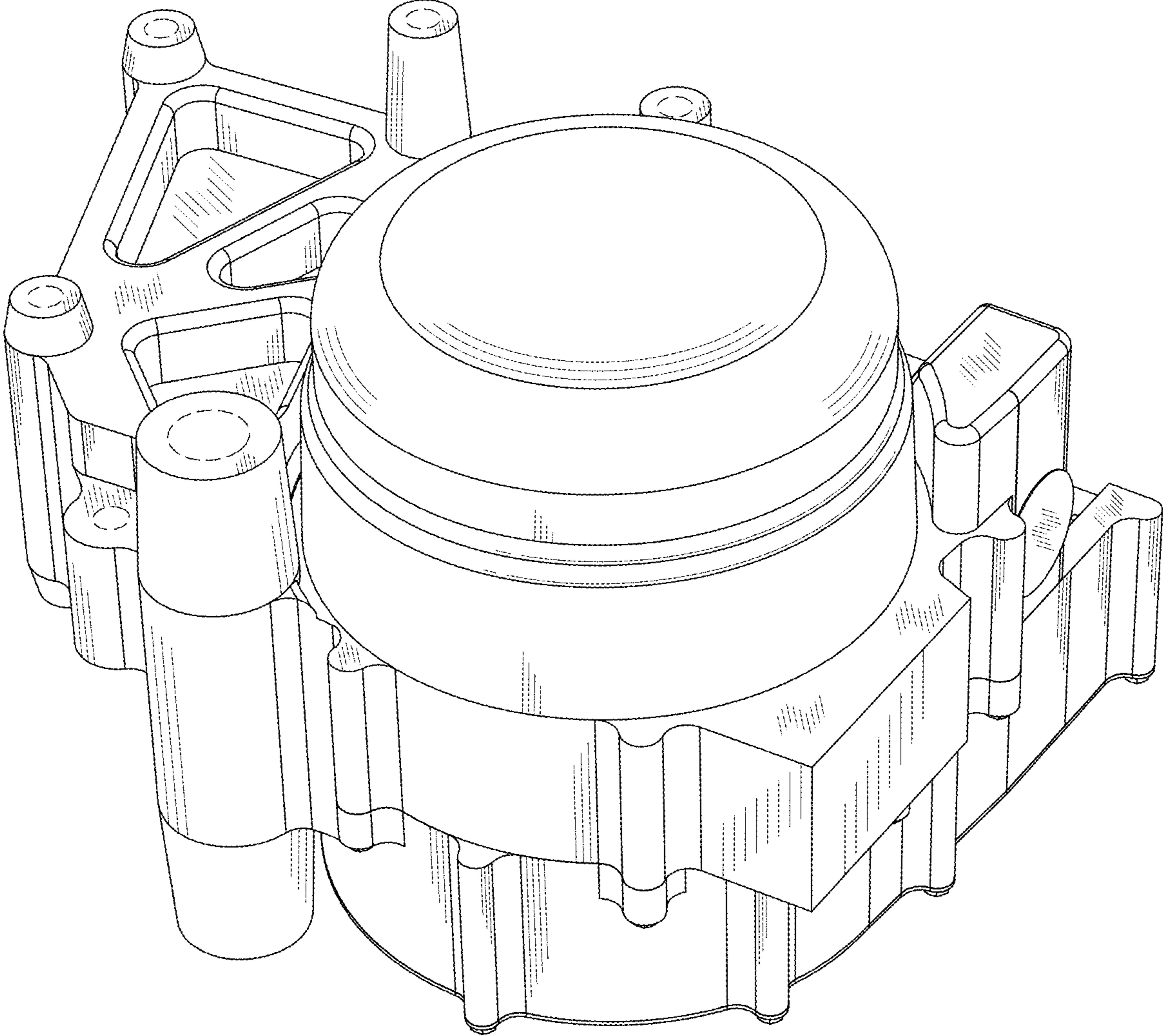


FIG. 2

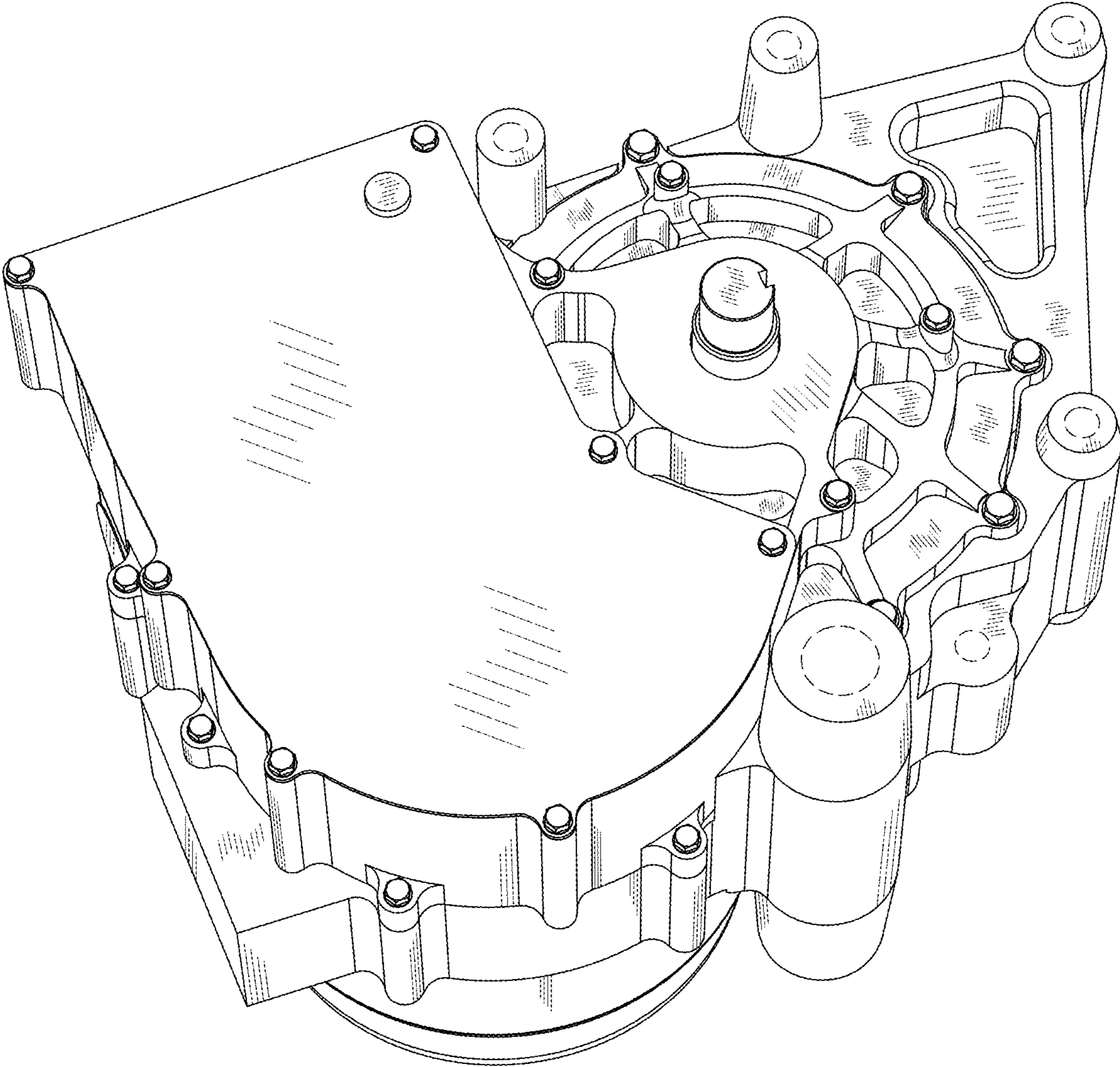


FIG. 3

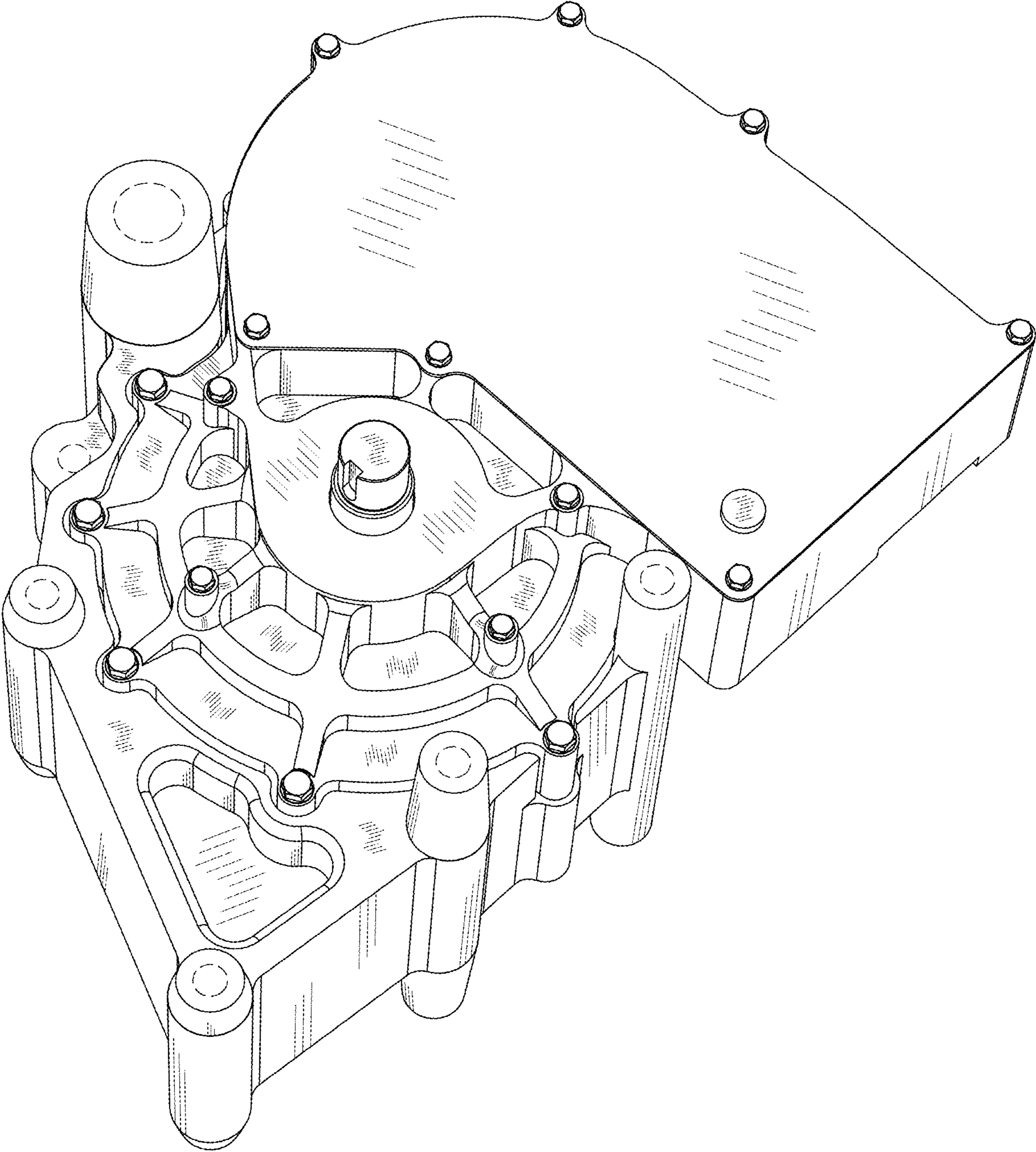


FIG. 4

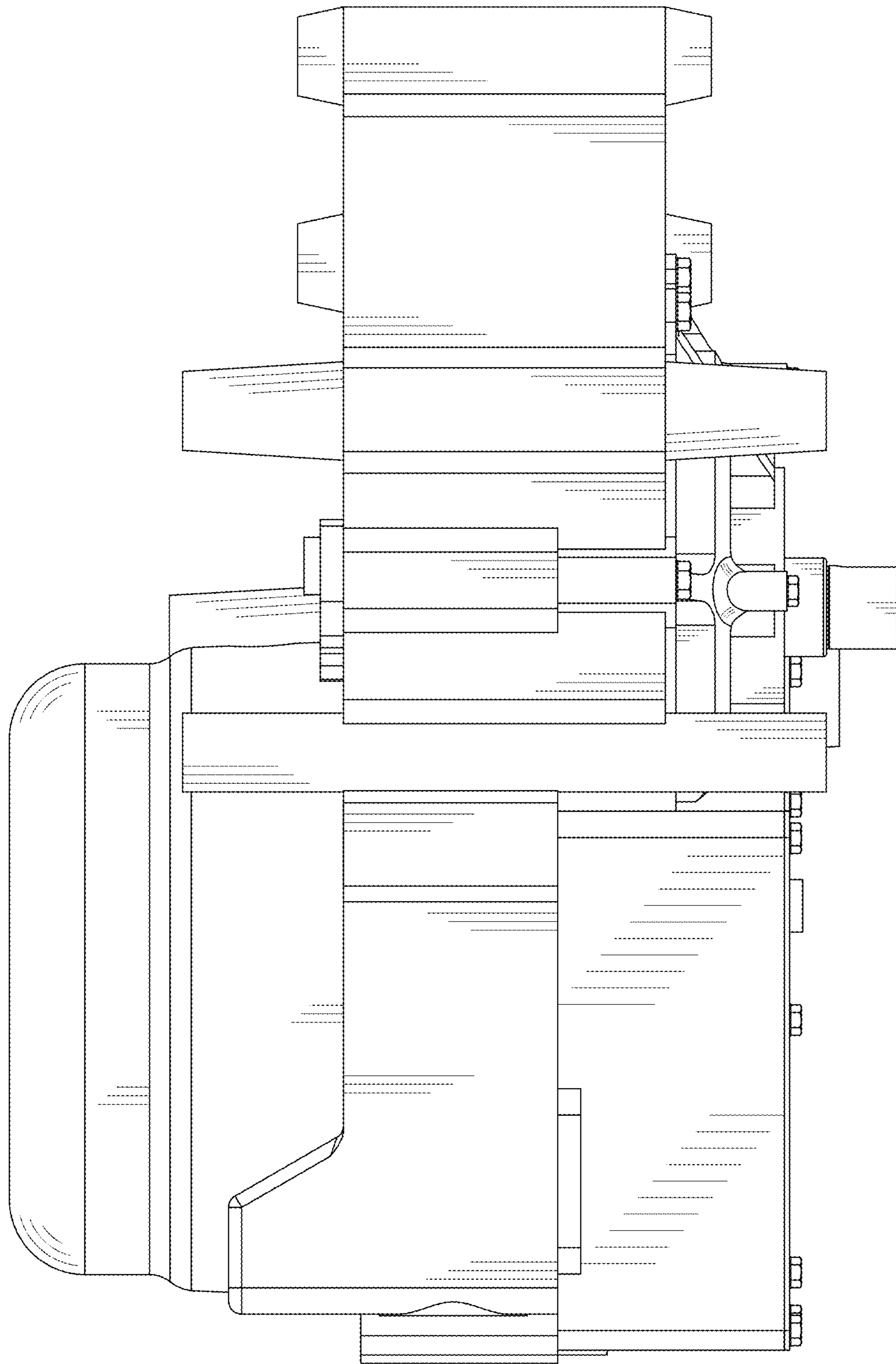


FIG. 5

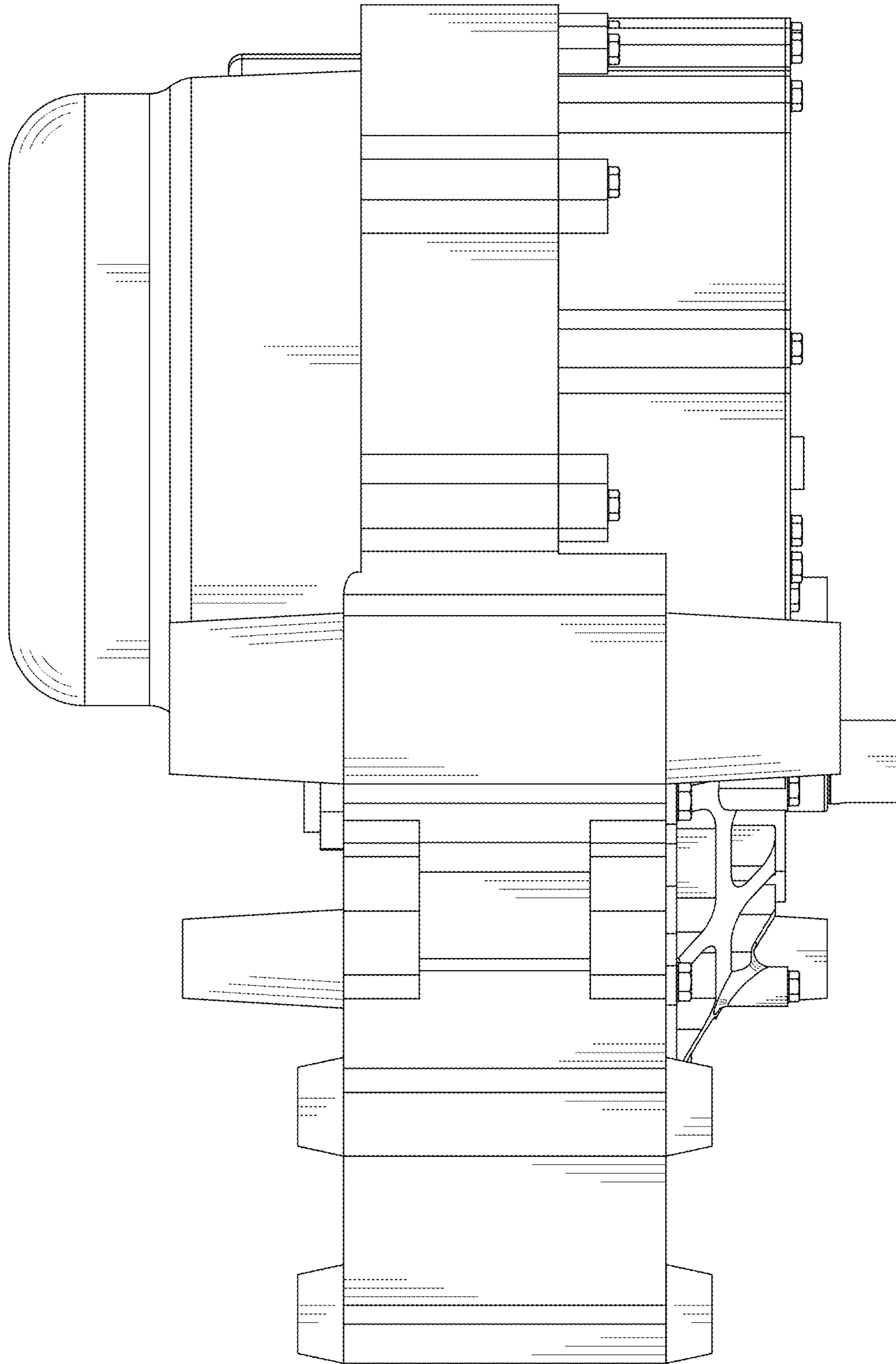


FIG. 6

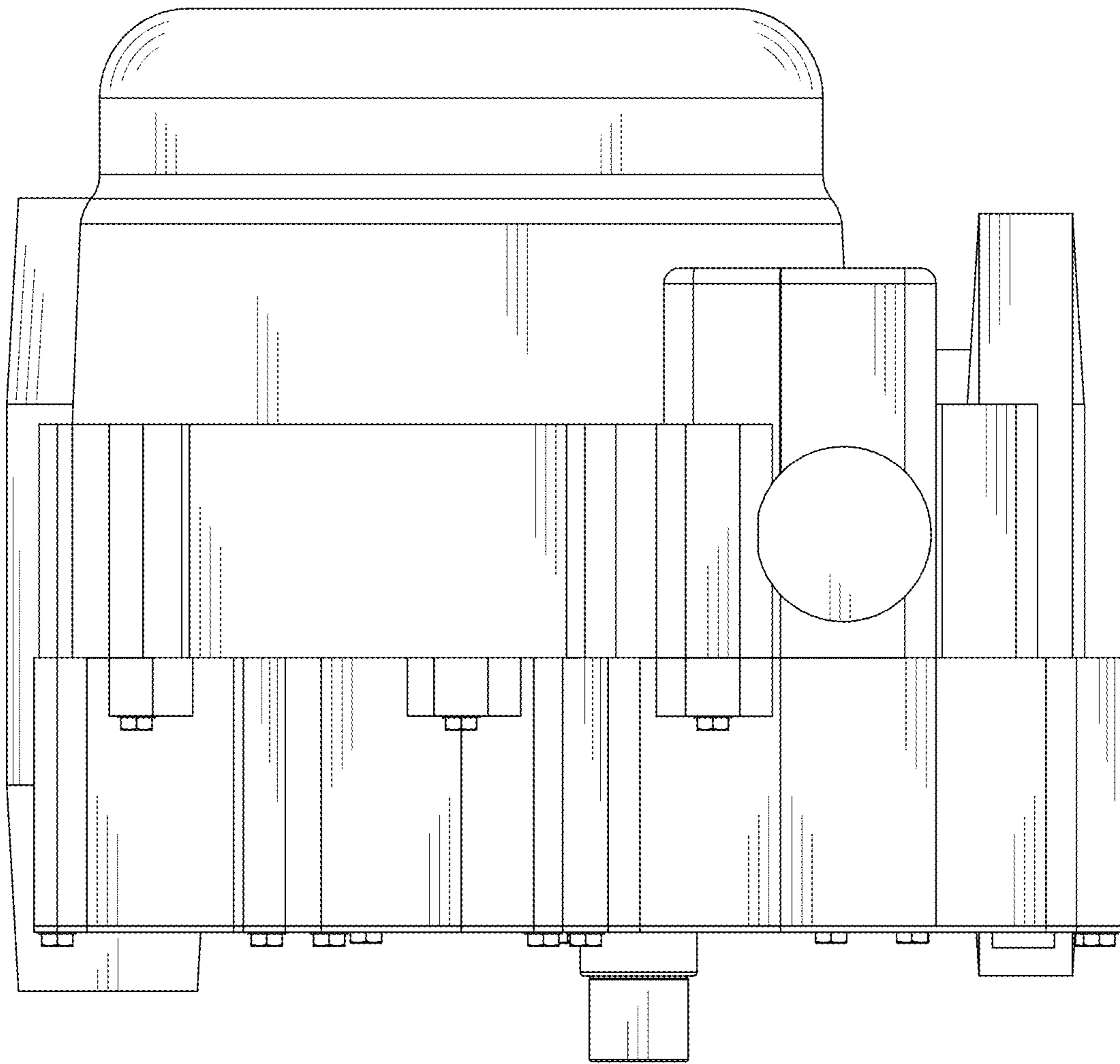


FIG. 7

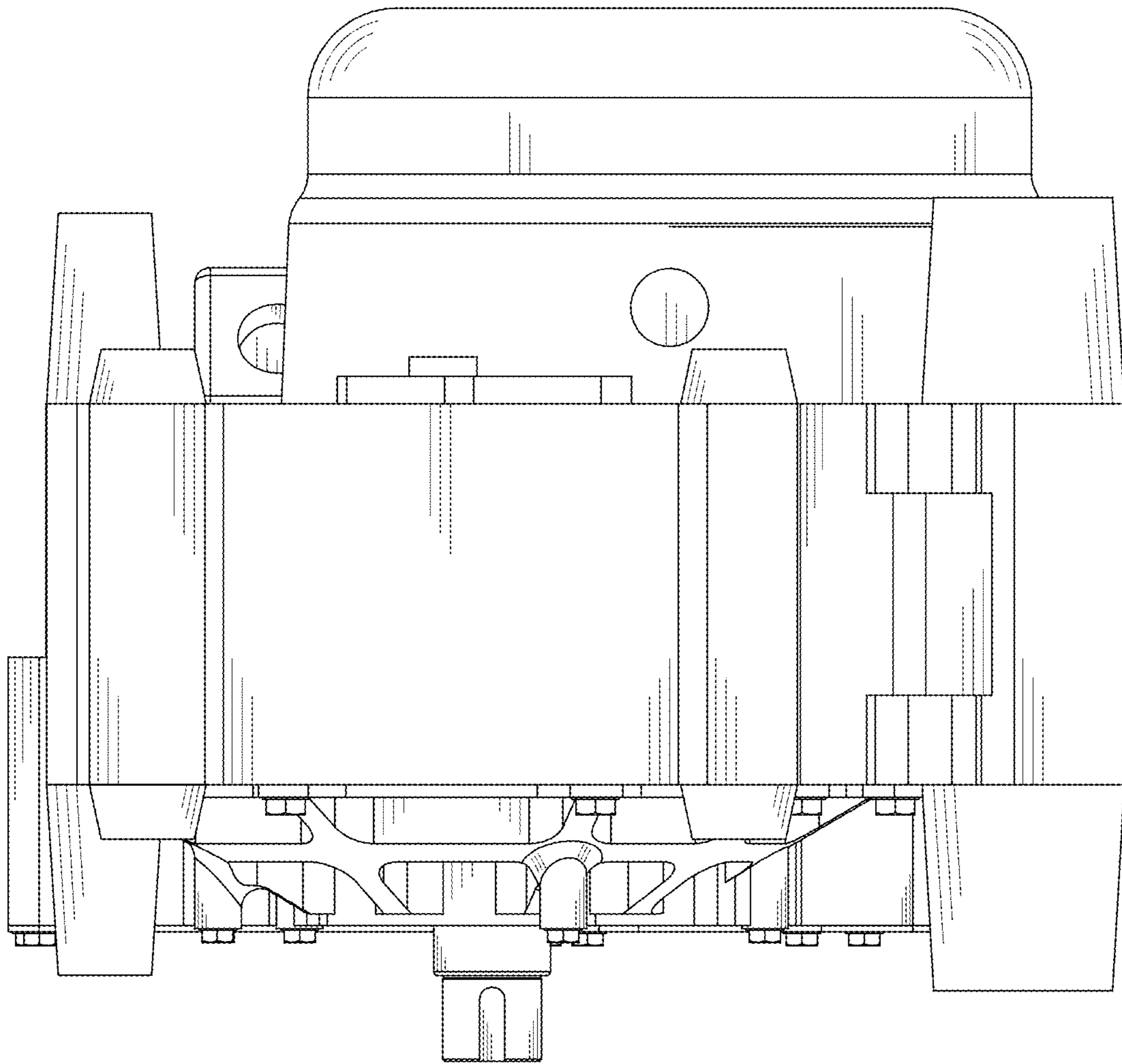


FIG. 8

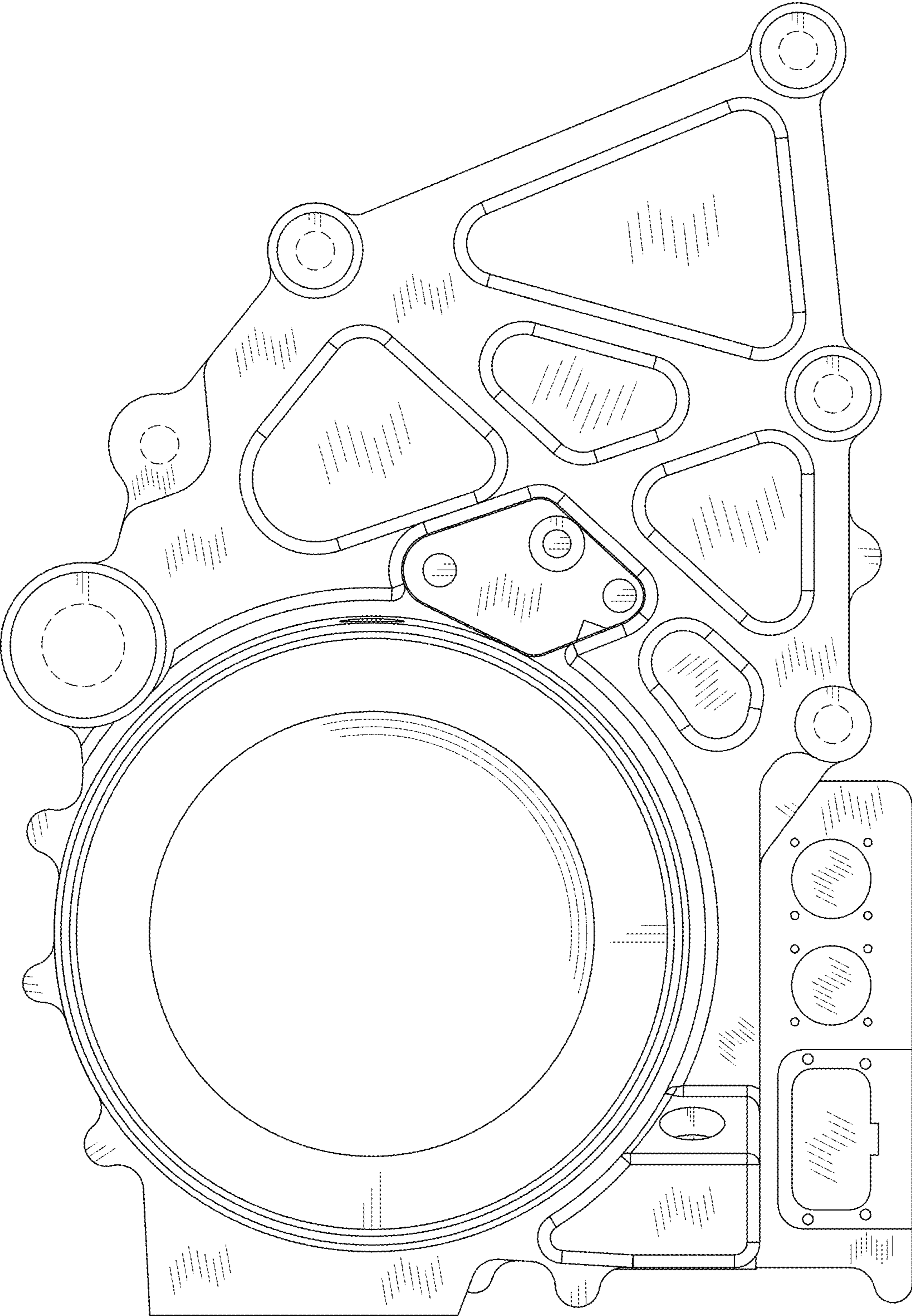


FIG. 9

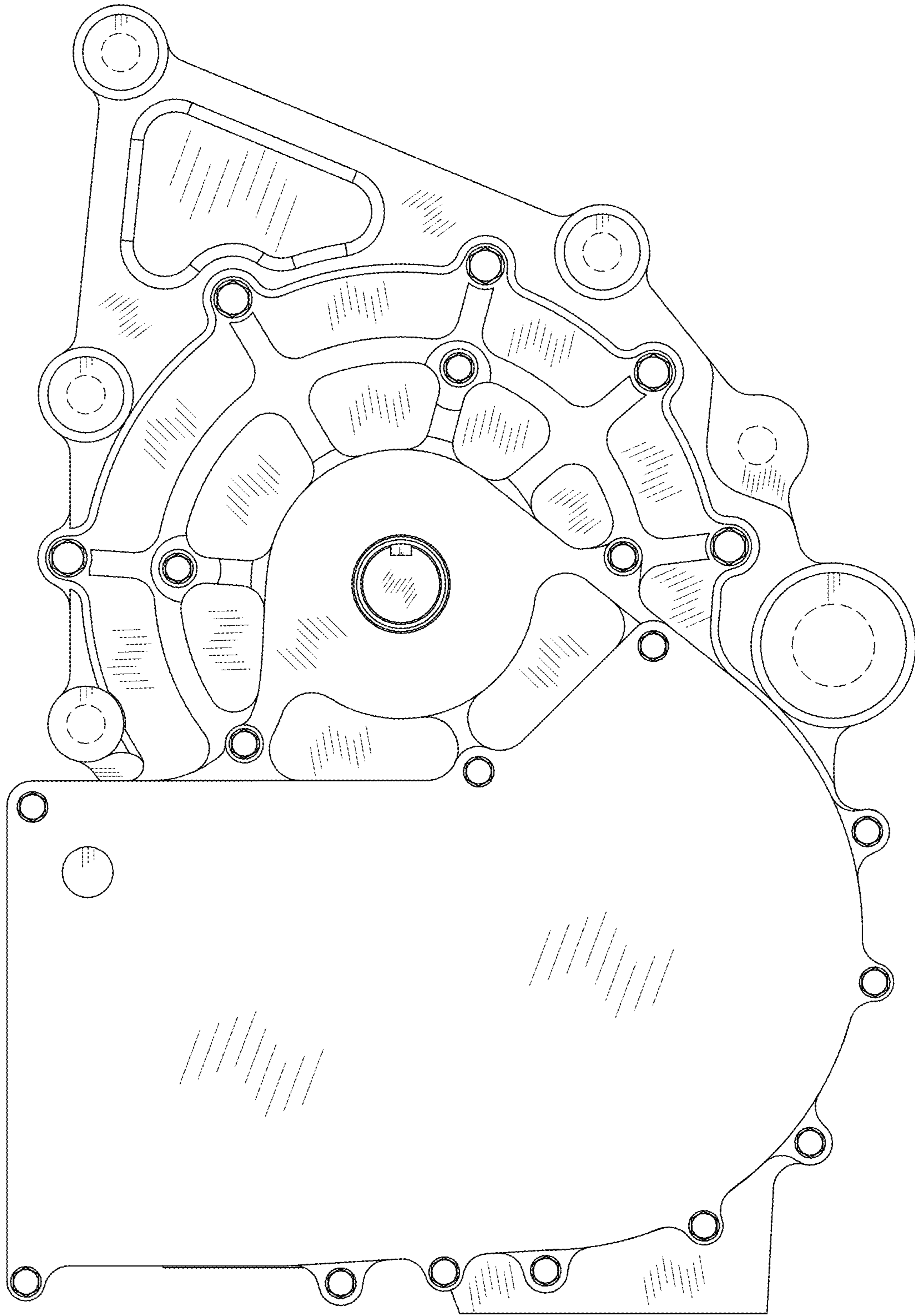


FIG. 10