



US00D936071S

(12) **United States Design Patent** (10) **Patent No.:** **US D936,071 S**
You (45) **Date of Patent:** **** Nov. 16, 2021**

(54) **MONITOR ARM WITH DECORATIVE LIGHTING**
(71) Applicant: **NINGBO TUOTUO RIVER DESIGN COMPANY, Zhejiang (CN)**
(72) Inventor: **Xiaodong You, Ningbo (CN)**
(73) Assignee: **NINGBO TUOTUO RIVER DESIGN COMPANY, Zhejiang (CN)**

(**) Term: **15 Years**

(21) Appl. No.: **29/773,618**

(22) Filed: **Mar. 10, 2021**

(51) **LOC (13) Cl.** **14-02**

(52) **U.S. Cl.**
USPC **D14/452**

(58) **Field of Classification Search**
USPC D14/452
CPC F16M 13/00; F16M 11/06; F16M 11/08
See application file for complete search history.

(56) **References Cited**

U.S. PATENT DOCUMENTS

D631,052 S *	1/2011	Hung	D14/452
D745,873 S	12/2015	Xiang et al.		
9,657,889 B1 *	5/2017	Chumakov	F16M 11/2014
D798,848 S *	10/2017	Frank	D14/239
D822,671 S	7/2018	Chu		
D847,823 S	5/2019	Monsalve et al.		
D849,013 S	5/2019	Monsalve et al.		
D875,105 S *	2/2020	Xiang	D14/452
D877,744 S *	3/2020	Xiang	D14/452
D918,218 S *	5/2021	Lyu	D14/452
D919,631 S *	5/2021	Shu	D14/452
D922,394 S *	6/2021	Lu	D14/452
D928,793 S *	8/2021	Shu	D14/452
2011/0147546 A1 *	6/2011	Monsalve	F16M 11/2092 248/122.1
2011/0260017 A1 *	10/2011	Monsalve	F16M 11/24 248/201
2011/0303805 A1 *	12/2011	Lau	F16M 11/126 248/125.8

(Continued)

FOREIGN PATENT DOCUMENTS

EM 002605014-0001 12/2014
EM 003400050-0001 9/2016

(Continued)

Primary Examiner — Charles D Hanson

(74) *Attorney, Agent, or Firm* — Knobbe Martens Olson & Bear LLP

(57) **CLAIM**

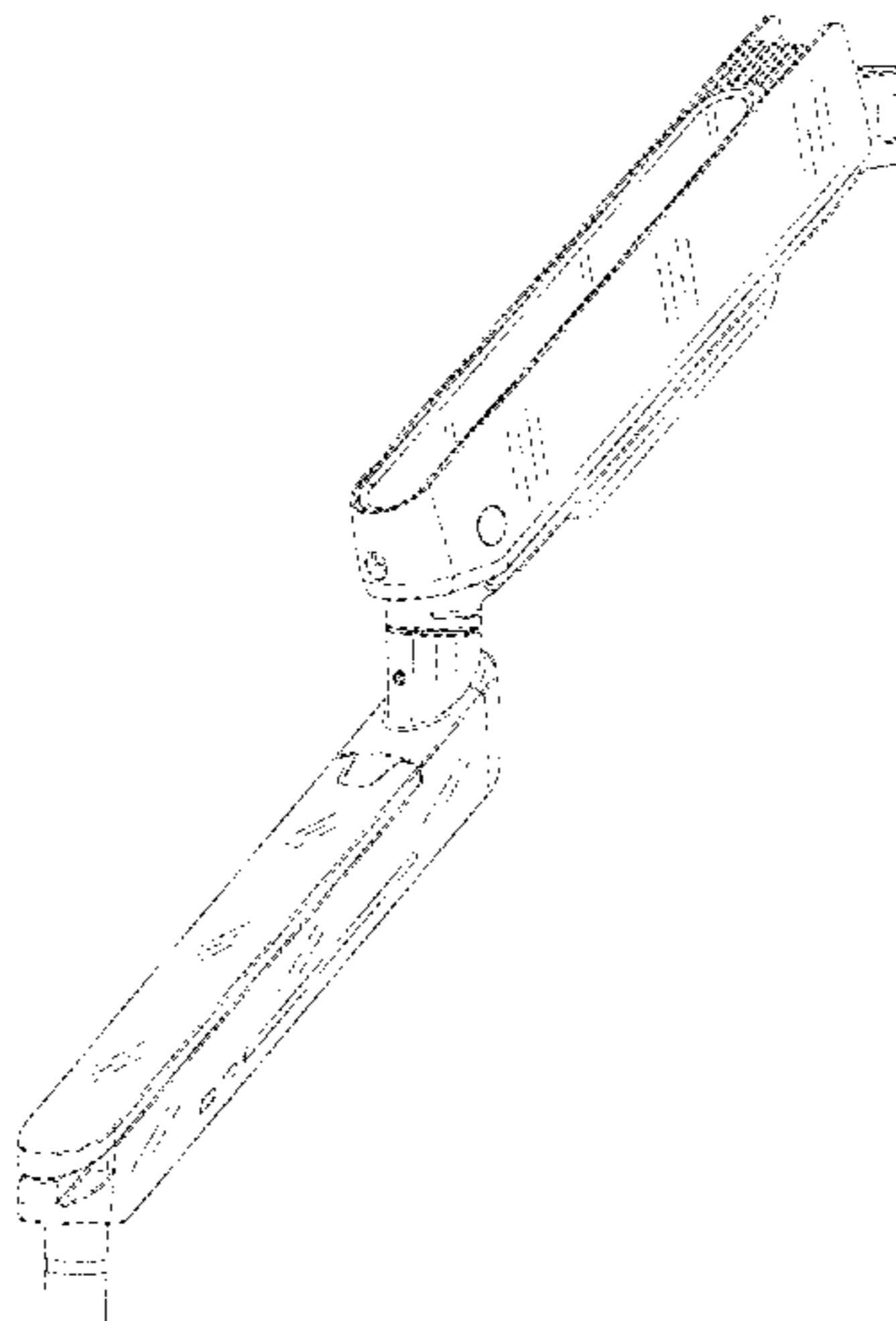
The ornamental design for a monitor arm with decorative lighting, as shown and described.

DESCRIPTION

FIG. 1 is a first perspective view of the monitor arm with decorative lighting embodying the new design; FIG. 2 is a second perspective view thereof; FIG. 3 is a left side view thereof; FIG. 4 is a right side view thereof; FIG. 5 is a back view thereof; FIG. 6 is a front view thereof; FIG. 7 is a top view thereof; and FIG. 8 is a bottom view thereof; and, FIG. 9 is a perspective view of the monitor arm with decorative lighting, illustrated with example monitor and desk attachment mechanisms.

Broken lines are used to illustrate features of the monitor arm with decorative lighting that form no part of the claimed design. In embodiments other than those illustrated, lines that are currently illustrated as solid lines may be redrawn as broken lines, and/or lines that are currently illustrated with broken lines can be redrawn with solid lines. The scope of the present disclosure encompasses all lines illustrated, whether broken or solid.

1 Claim, 9 Drawing Sheets



(56)

References Cited

U.S. PATENT DOCUMENTS

2011/0315843 A1* 12/2011 Hung F16M 11/041
248/279.1

FOREIGN PATENT DOCUMENTS

EM	005665445-0001	9/2018
EM	006592861-0001	6/2019
EM	007033238-0001	10/2019
EM	008262984-0004	11/2020

* cited by examiner

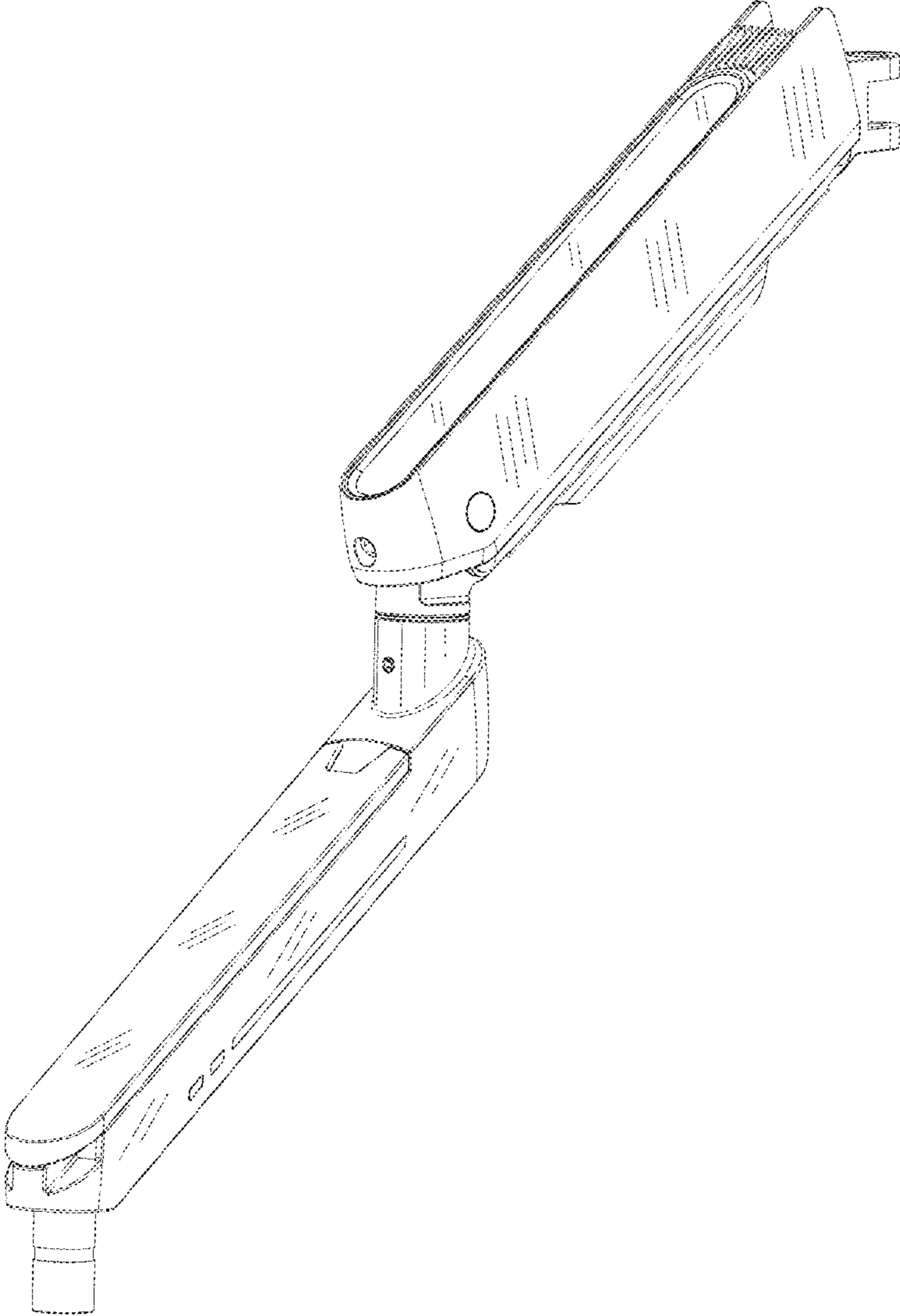


Fig. 1

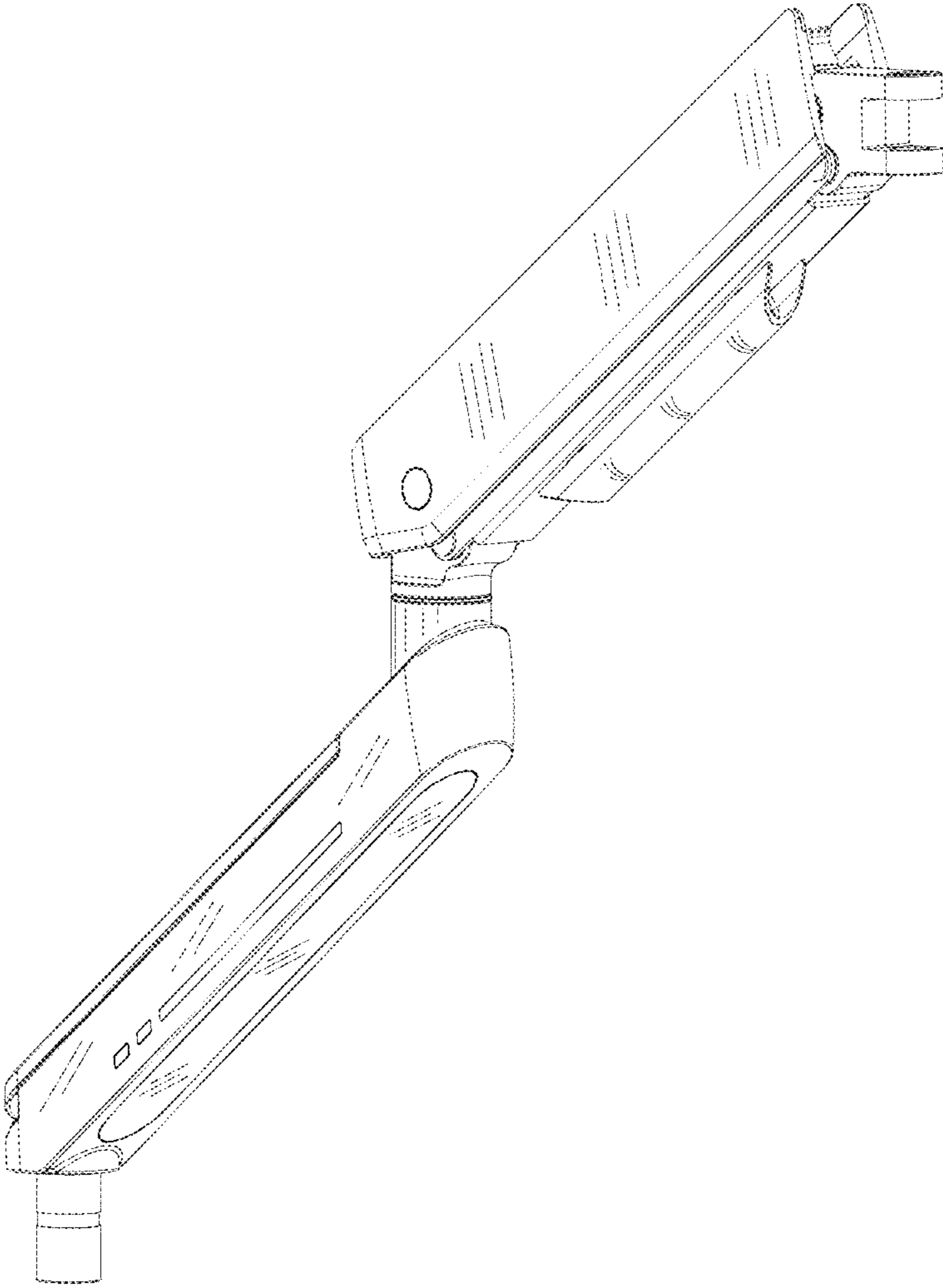


Fig.2

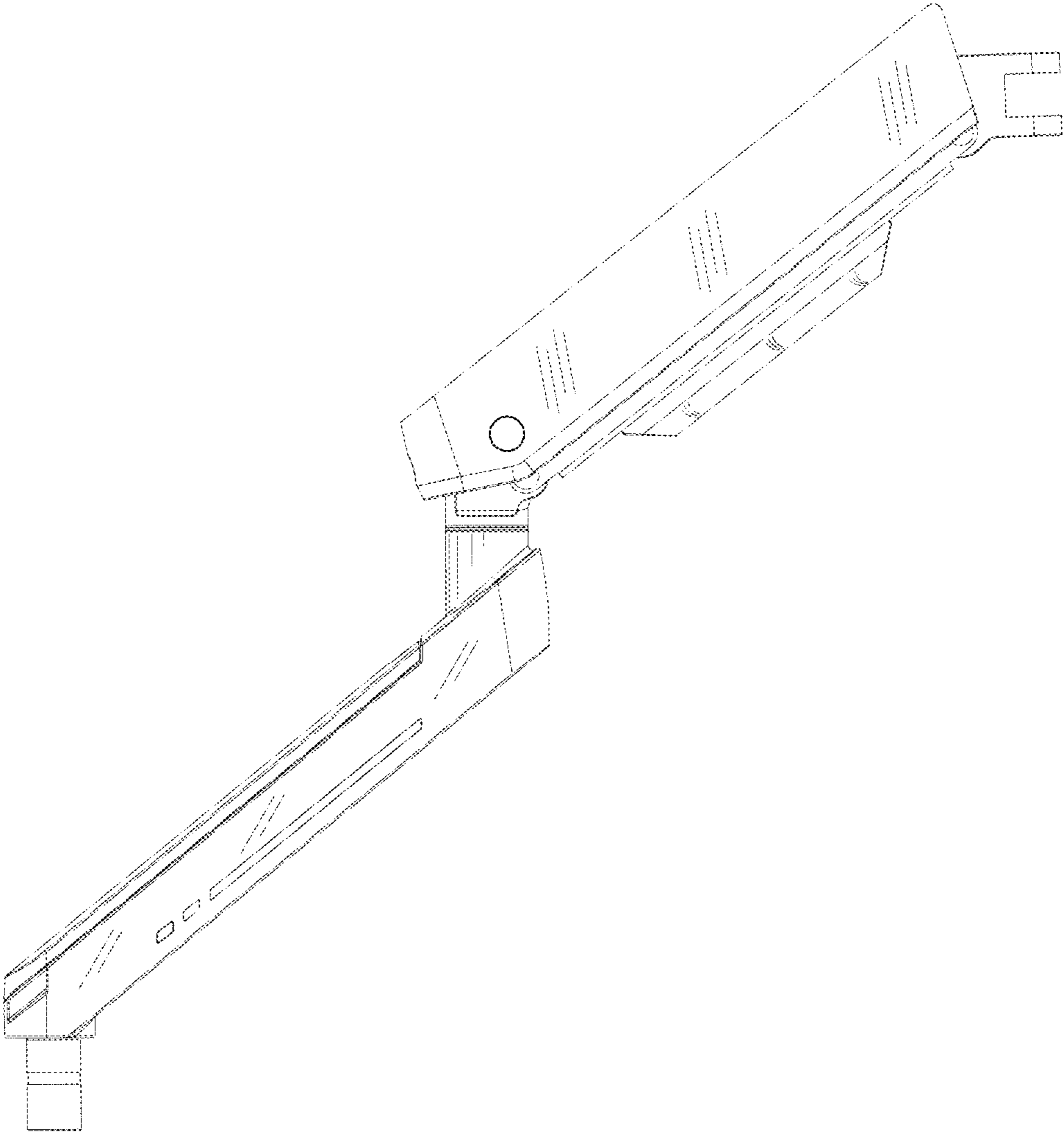


Fig.3

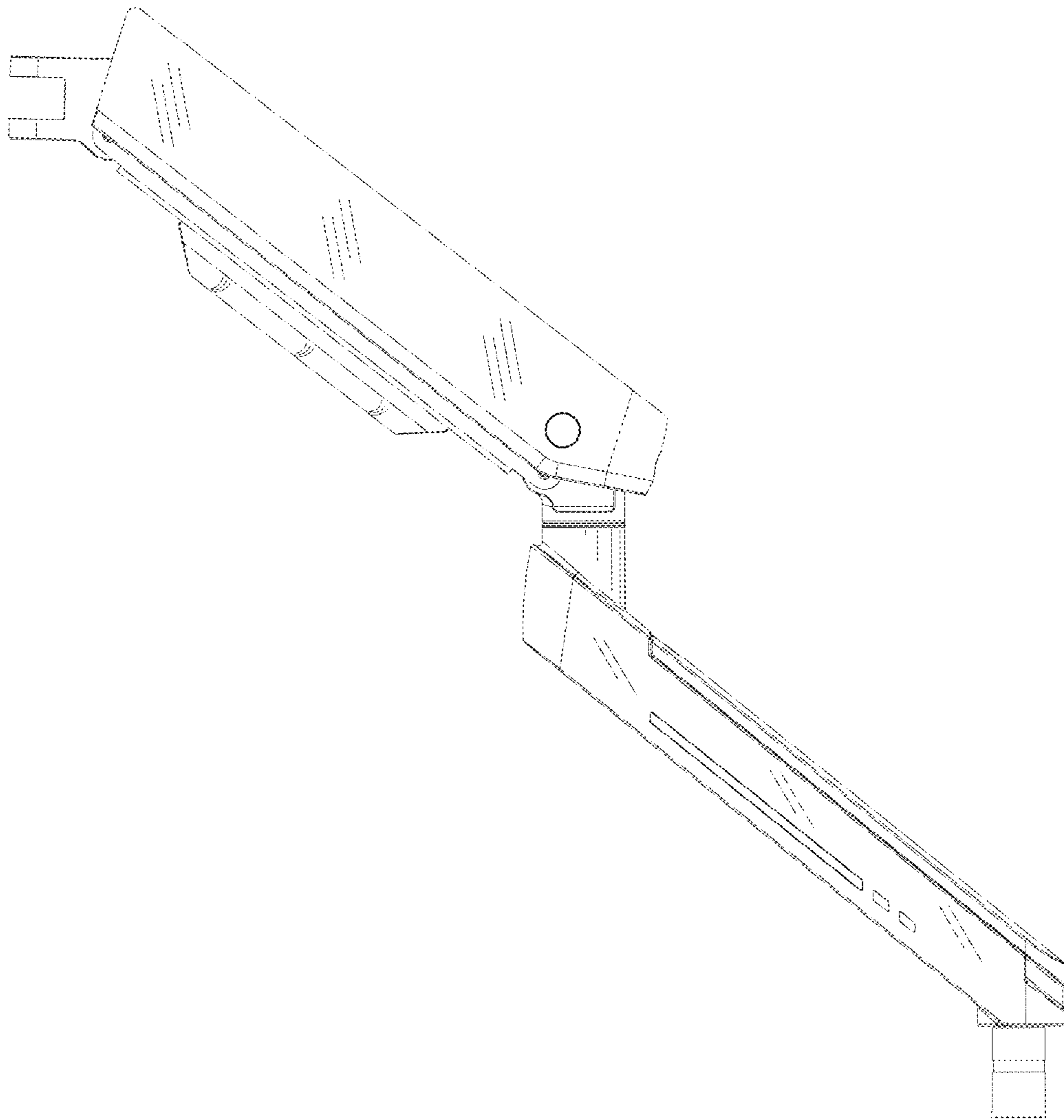


Fig.4

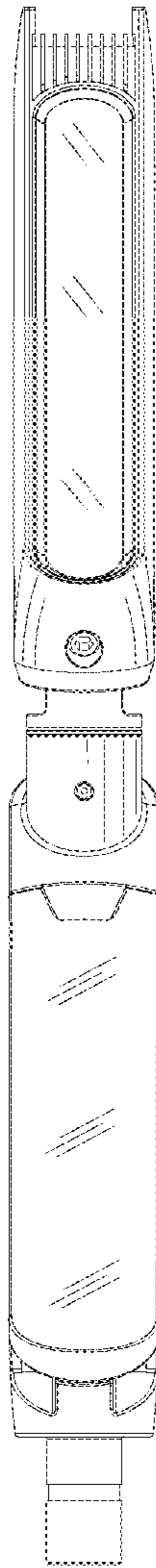


Fig.5

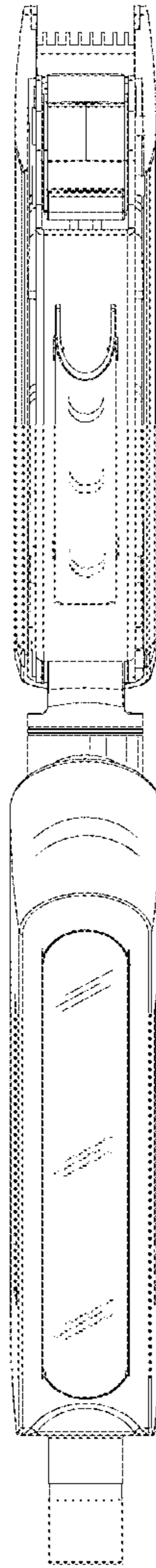


Fig.6

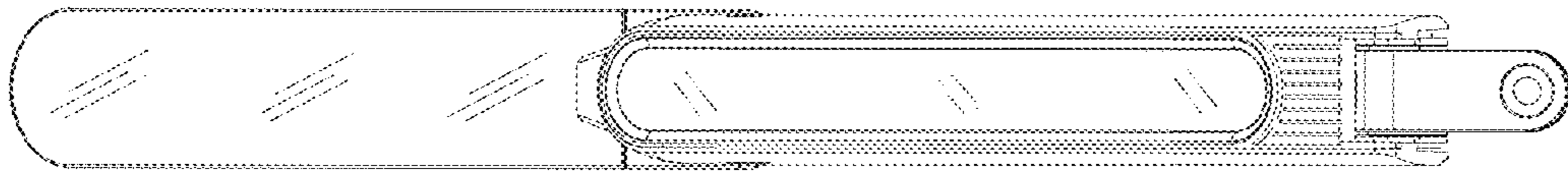


Fig.7

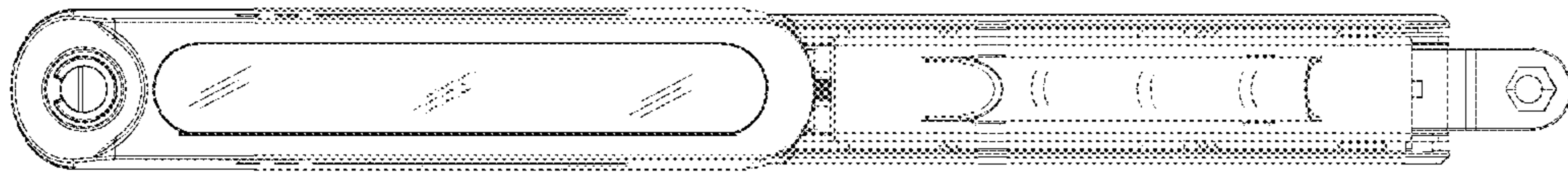


Fig.8

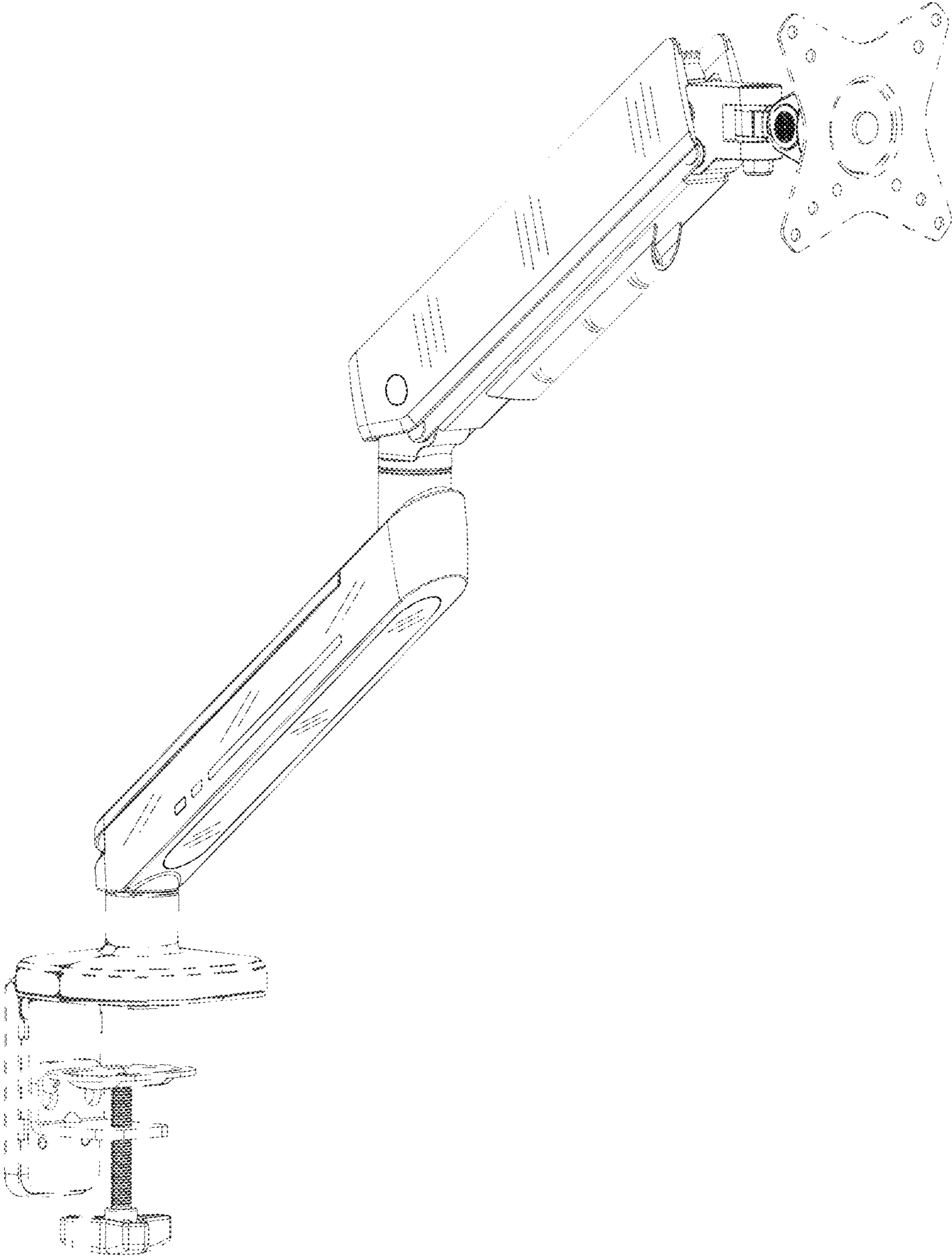


Fig.9