



US00D936069S

(12) **United States Design Patent** (10) **Patent No.:** **US D936,069 S**
You et al. (45) **Date of Patent:** **** Nov. 16, 2021**

(54) **MONITOR ARM**

(71) Applicant: **Ningbo Ergovida Health Technology Ltd., Ningbo (CN)**

(72) Inventors: **Xiaodong You, Ningbo (CN); Yi Ni, Ningbo (CN)**

(73) Assignee: **NINGBO ERGOVIDA HEALTH TECHNOLOGY LTD., Ningbo (CN)**

(**) Term: **15 Years**

(21) Appl. No.: **29/696,065**

(22) Filed: **Jun. 25, 2019**

(30) **Foreign Application Priority Data**

Jan. 3, 2019 (CN) 201930002730.9

(51) **LOC (13) Cl.** **14-02**

(52) **U.S. Cl.**
USPC **D14/452**

(58) **Field of Classification Search**
USPC D14/447-452, 239, 371, 372, 373, 374,
D14/375, 376, 377, 125, 127, 128, 129,
D14/335-337, 341, 126; D8/355, 363,
D8/373; D6/672, 682

CPC F16M 11/2085; F16M 11/2092; F16M
11/2007; F16M 11/2014; F16M 11/2021;
F16M 11/105; F16M 11/048; F16M
11/12; F16M 13/022; F16M 11/10
See application file for complete search history.

(56) **References Cited**

U.S. PATENT DOCUMENTS

D745,873 S * 12/2015 Xiang D14/452
D798,848 S * 10/2017 Frank D14/239
D830,371 S * 10/2018 Lau D14/452
10,309,578 B2 * 6/2019 Yen F16M 13/022
D877,744 S * 3/2020 Xiang D14/452
10,935,179 B2 * 3/2021 Hung H02G 3/04

2011/0315843 A1 * 12/2011 Hung F16M 11/041
248/279.1
2018/0340644 A1 * 11/2018 Bowman F16C 11/103
2019/0293228 A1 * 9/2019 Hung F16M 13/02
2019/0295446 A1 * 9/2019 Hung F16M 13/02
2020/0063896 A1 * 2/2020 Hung F16M 11/10
(Continued)

FOREIGN PATENT DOCUMENTS

CA 2844366 A1 * 12/2012 F16M 11/24
CN 305172952 * 5/2019
CN 305896514 * 7/2020

OTHER PUBLICATIONS

Amazon. Link: https://www.amazon.com/dp/B08NV5DF5G/ref=cm_sw_em_r_mt_dp_C2ENETM1HREZR7PXXK73A?_encoding=UTF8&psc=1. Nov. 19, 2020. Turoater Dual Monitor Stand Adjustable. (Year: 2020).*

(Continued)

Primary Examiner — Lauren D McVey

(74) *Attorney, Agent, or Firm* — Knobbe Martens Olson & Bear LLP

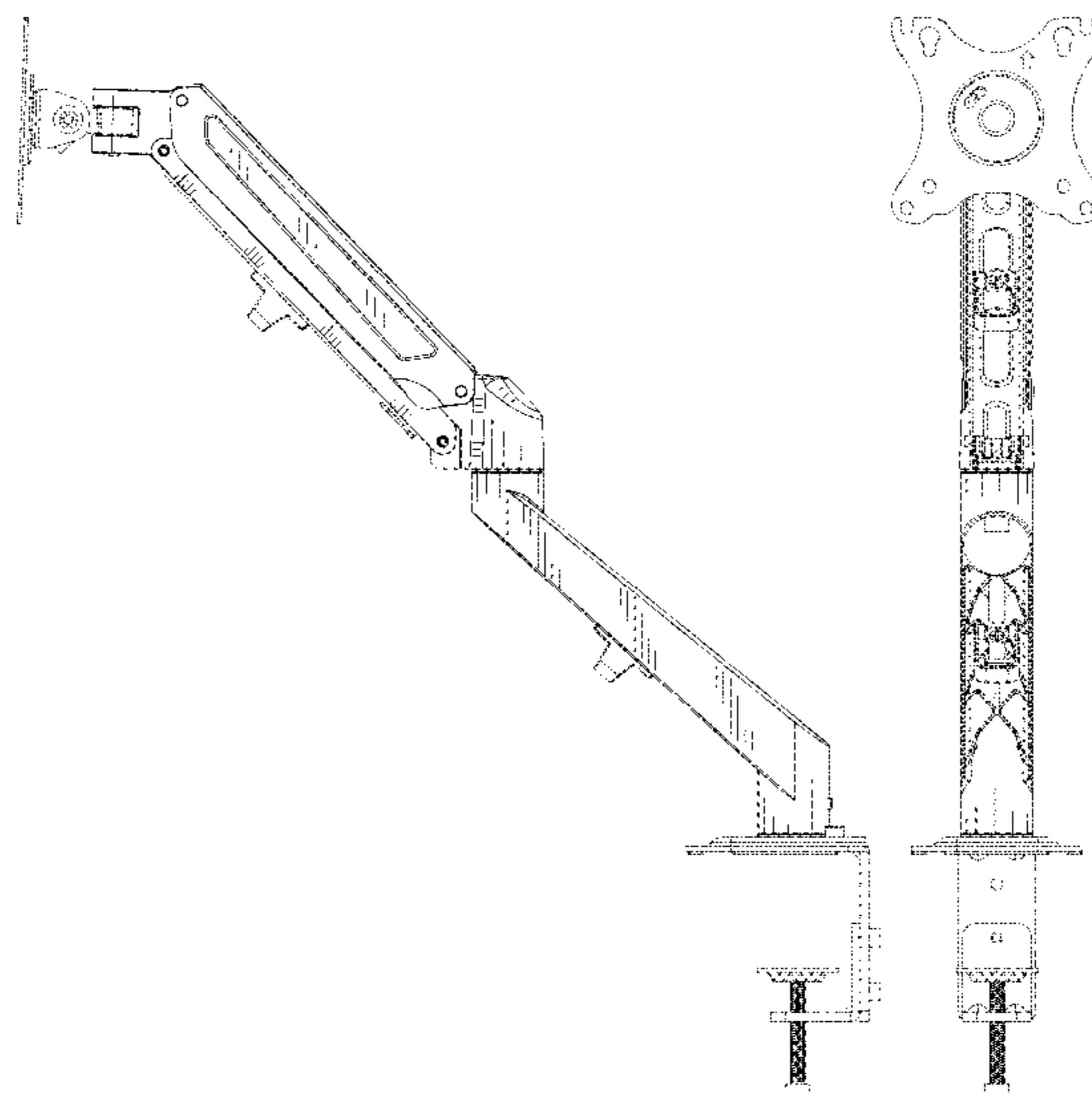
(57) **CLAIM**

The ornamental design for a monitor arm, as shown and described.

DESCRIPTION

FIG. 1 is an isometric view of the monitor arm embodying the new design;
FIG. 2 is a right side view thereof;
FIG. 3 is a left side view thereof;
FIG. 4 is a front view thereof;
FIG. 5 is a back view thereof;
FIG. 6 is a top view thereof; and,
FIG. 7 is a bottom view thereof.
The broken lines are directed to environment. The broken lines form no part of the claimed design.

1 Claim, 7 Drawing Sheets



(56)

References Cited

U.S. PATENT DOCUMENTS

2020/0067290 A1* 2/2020 Hung F16M 11/048
2021/0080055 A1* 3/2021 Glickstein F16M 13/02

OTHER PUBLICATIONS

Amazon. Link: https://www.amazon.com/Monitor-Adjustable-Articulating-Mounting-Monitors/dp/B08MPK1F53/ref=psdc_490624011_t3_B08FSN72BG. Jun. 19, 2020. ErGear Single Monitor Desk Mount Stand. (Year: 2020).*

Amazon. Link: https://www.amazon.com/dp/B07V1W5C7Z/ref=cm_sw_em_r_mt_dp_PCCGFV5XM7VD7SQYFF8E?_encoding=UTF8&psc=1. Jul. 8, 2019. EVEO Single Monitor Arm Desk Mount. (Year: 2019).*

CDW. Link: <https://www.cdw.com/product/kensington-smartfit-ergo-single-extended-monitor-arm-mounting-kit-adjust/6171757?pfm=srh>. Visited Jun. 9, 2021. Kensington SmartFit Ergo Single Extended Monitor Arm—mounting kit—K55408WW. (Year: 2021).*

* cited by examiner

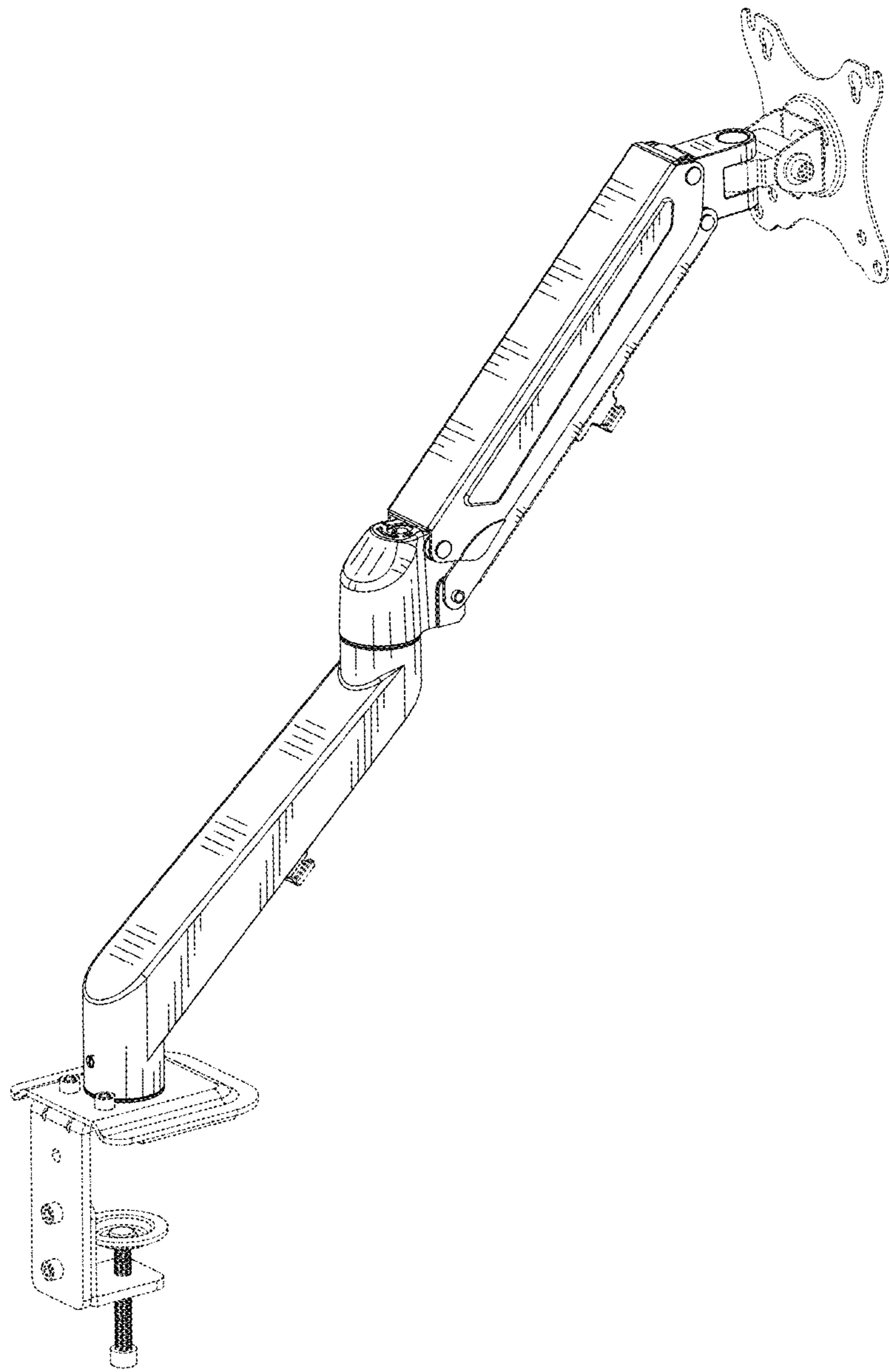


Fig. 1

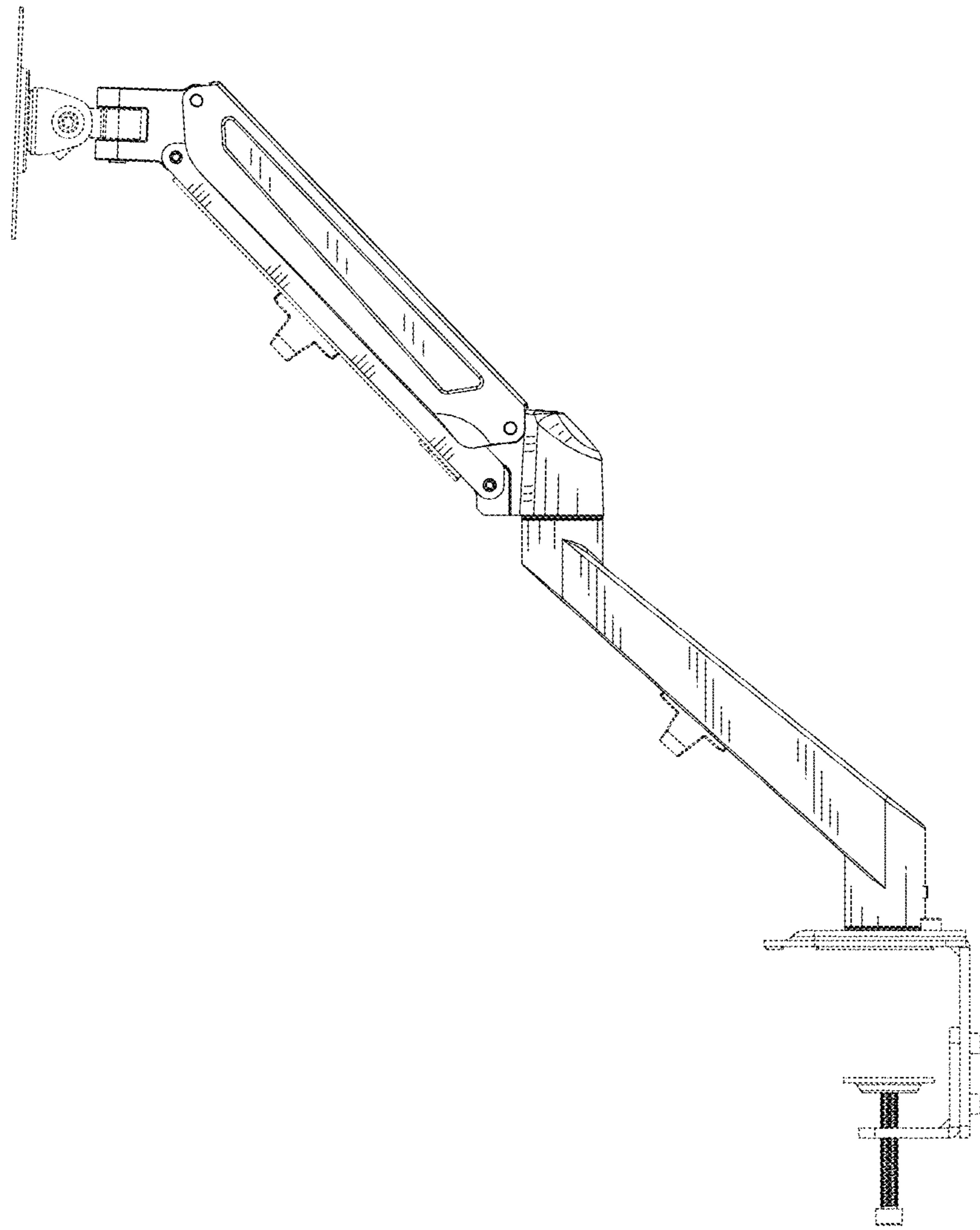


Fig.2

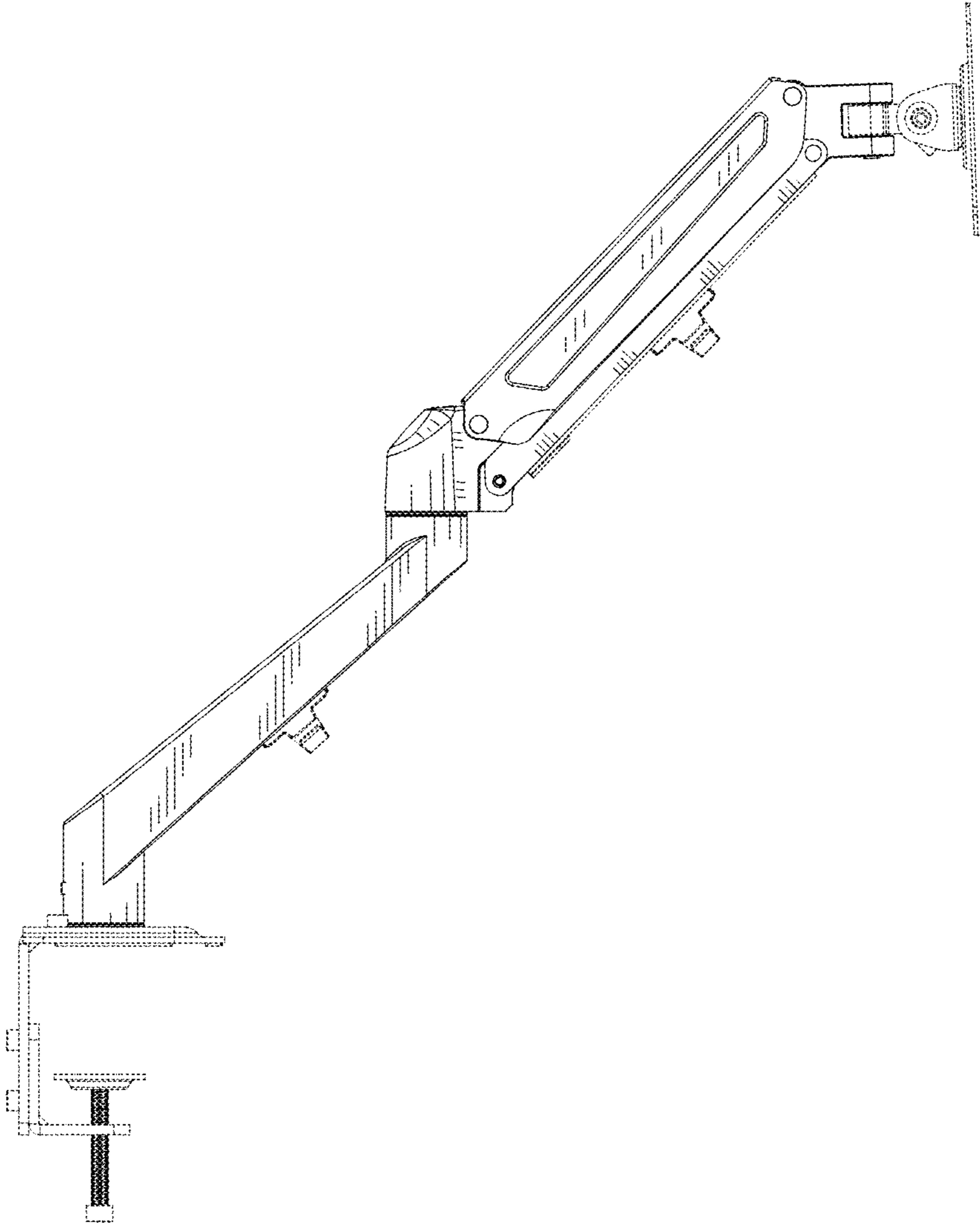


Fig.3

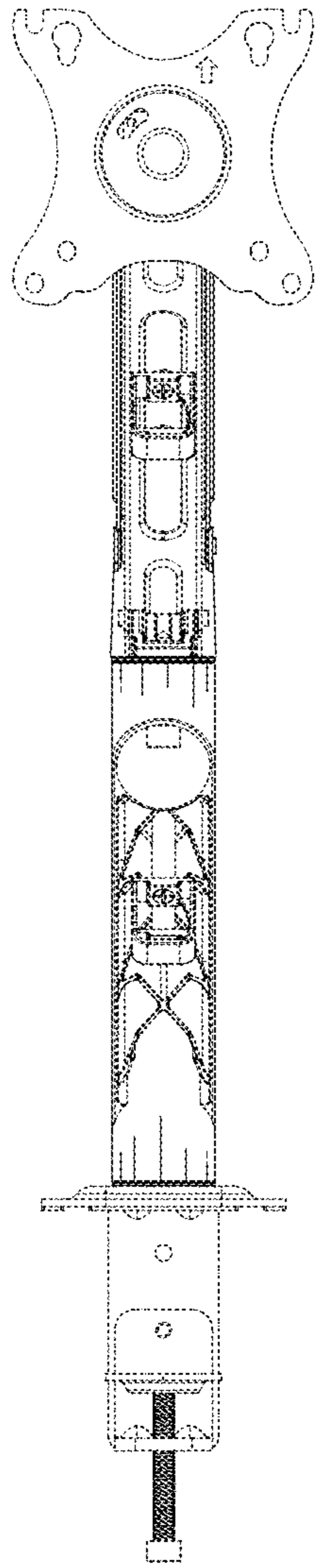


Fig.4

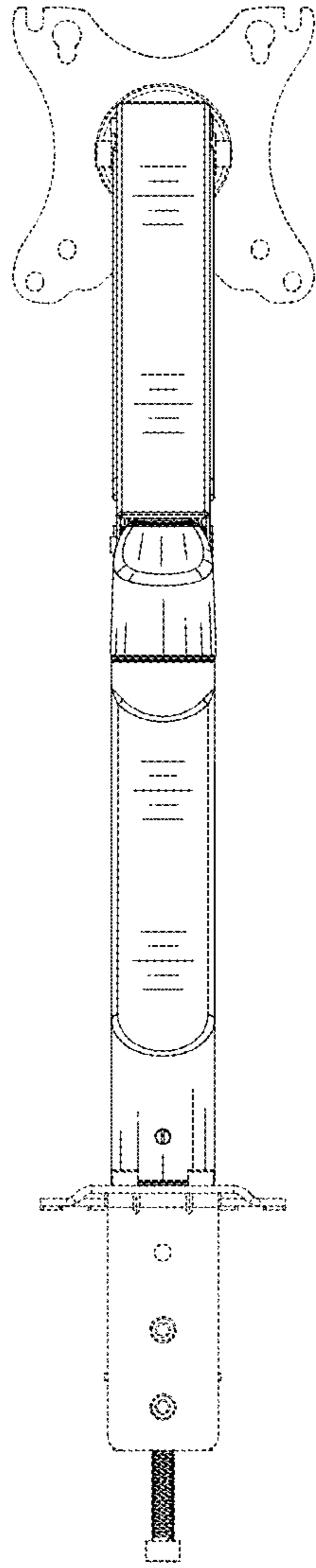


Fig.5

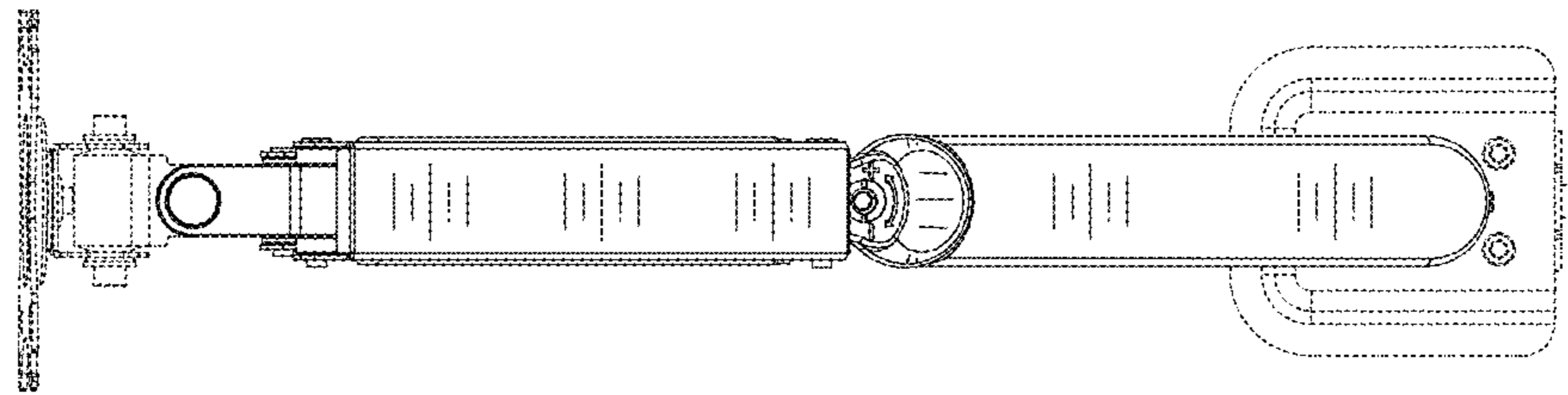


Fig.6

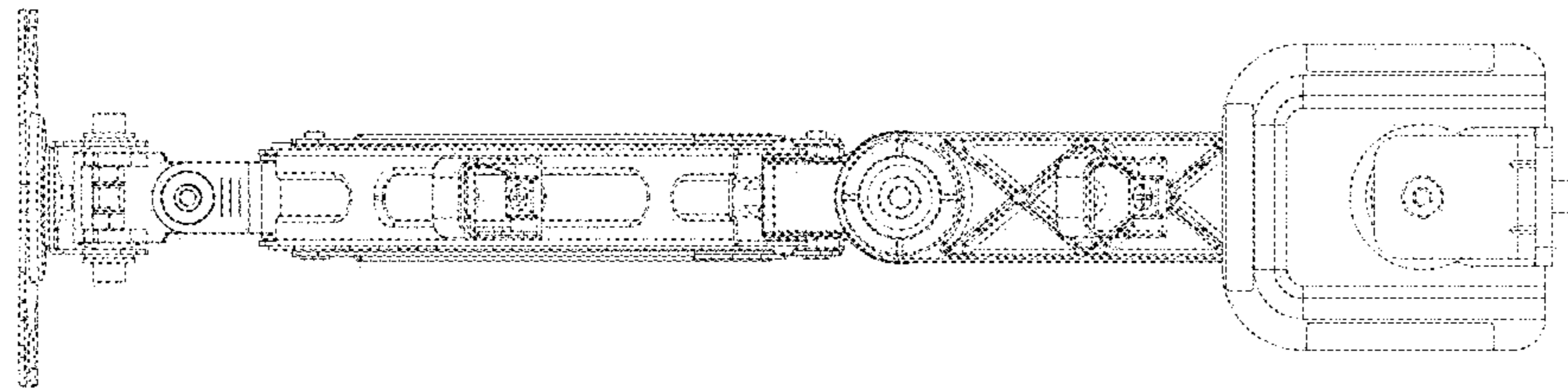


Fig.7