



US00D936068S

(12) **United States Design Patent**
McCall

(10) **Patent No.:** **US D936,068 S**

(45) **Date of Patent:** **** Nov. 16, 2021**

(54) **COLLAPSIBLE SUPPORT STRUCTURE FOR
A REMOVABLE ELECTRONIC DEVICE**

(71) Applicant: **Todd McCall**, Trinity, FL (US)

(72) Inventor: **Todd McCall**, Trinity, FL (US)

(**) Term: **15 Years**

(21) Appl. No.: **29/754,960**

(22) Filed: **Oct. 15, 2020**

Related U.S. Application Data

(63) Continuation of application No. 16/989,409, filed on Aug. 10, 2020, now Pat. No. 10,941,898, which is a continuation-in-part of application No. 16/705,366, filed on Dec. 6, 2019, now Pat. No. 10,774,981.

(51) **LOC (13) Cl.** **08-07**

(52) **U.S. Cl.**

USPC **D14/447**

(58) **Field of Classification Search**

USPC D14/447, 432, 434, 439, 440, 451, 452,
D14/457, 239, 253; D8/363, 373, 380;
D6/406.3, 406.4, 406.5, 406.6; D12/415

CPC A47B 21/04; A47B 2097/006; A47B
2097/005; A47B 2023/049; A45C
2011/002; A45C 2011/003; F16M
2200/00; F16M 13/00

See application file for complete search history.

(56) **References Cited**

U.S. PATENT DOCUMENTS

D575,774 S * 8/2008 Harris D14/125
D598,458 S * 8/2009 Li D14/451
D671,545 S * 11/2012 Guran D14/447
D674,805 S * 1/2013 Vincent D14/447
D707,230 S * 6/2014 Castronovo D14/447
D742,863 S * 11/2015 Aoyagi D14/239

D851,634 S * 6/2019 Plahn D14/239
D852,789 S * 7/2019 Pei D14/239
D874,449 S * 2/2020 Ahrens D14/239
D880,471 S * 4/2020 Yoo D14/253
D914,654 S * 3/2021 Pei D14/239
D914,659 S * 3/2021 Xu D14/239

* cited by examiner

Primary Examiner — Angela J Lee

(74) *Attorney, Agent, or Firm* — Tiffany C. Miller;
Inventions International Inc.

(57) **CLAIM**

The ornamental design for a collapsible support structure for a removable electronic device, as shown and described.

DESCRIPTION

FIG. 1 is a front perspective view of a novel support structure for an electronic device having a touch screen in an open orientation showing our new design;

FIG. 2 is a front perspective view thereof;

FIG. 3 is a rear perspective view thereof;

FIG. 4 is a rear perspective view thereof;

FIG. 5 is a top perspective view of a novel support structure for an electronic device having a touch screen in a closed orientation;

FIG. 6 is a side perspective view thereof;

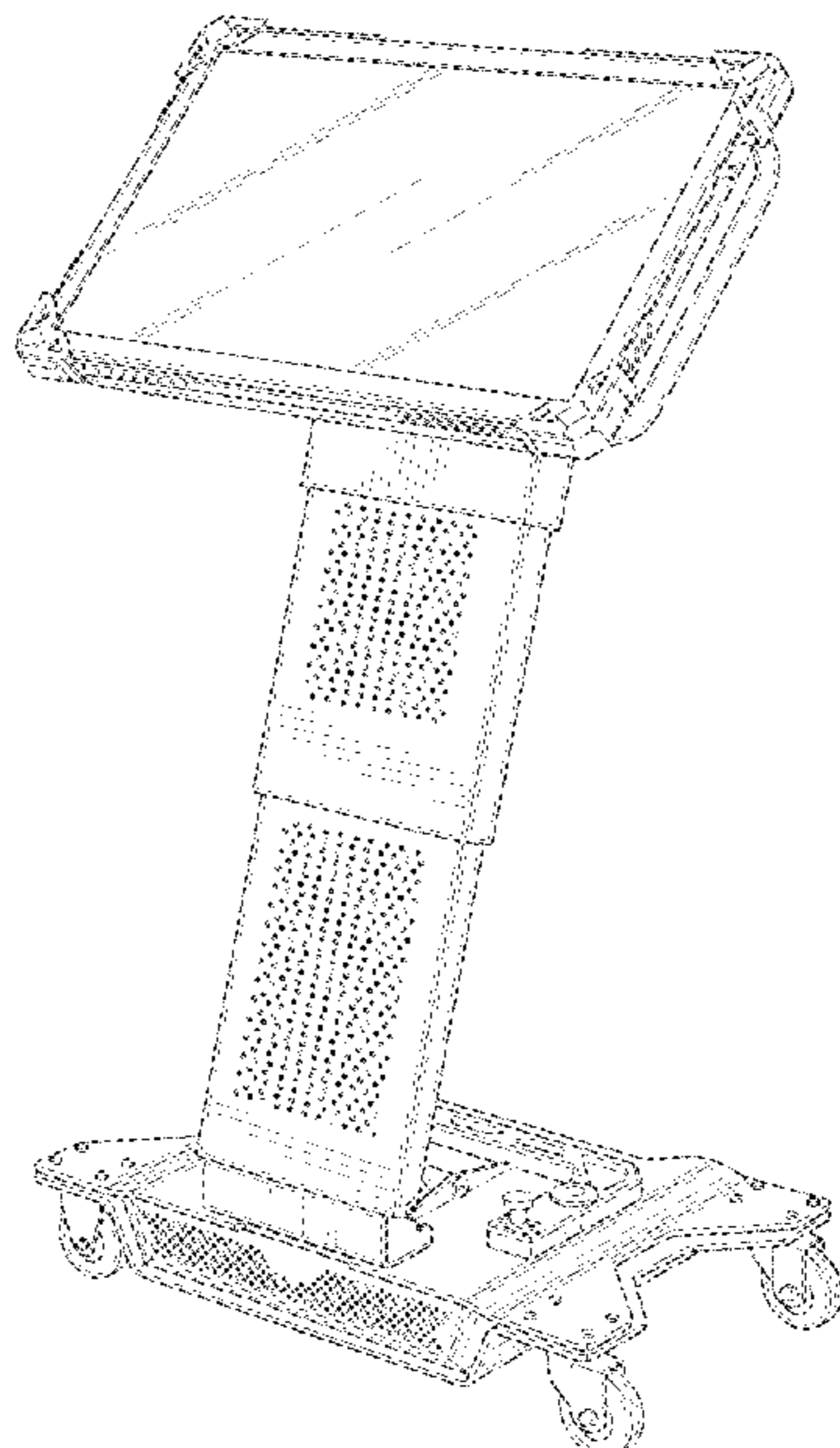
FIG. 7 is a partial view of the base having a pivotable handle in an open configuration;

FIG. 8 is a partial view of the base having a pivotable handle in a closed configuration; and,

FIG. 9 is a partial view of a novel support structure for an electronic device having a touch screen in a closed orientation with a barrier member connected to the corners of the mounting bracket.

The subject matter delineated in broken lines form no part of the claimed design.

1 Claim, 7 Drawing Sheets



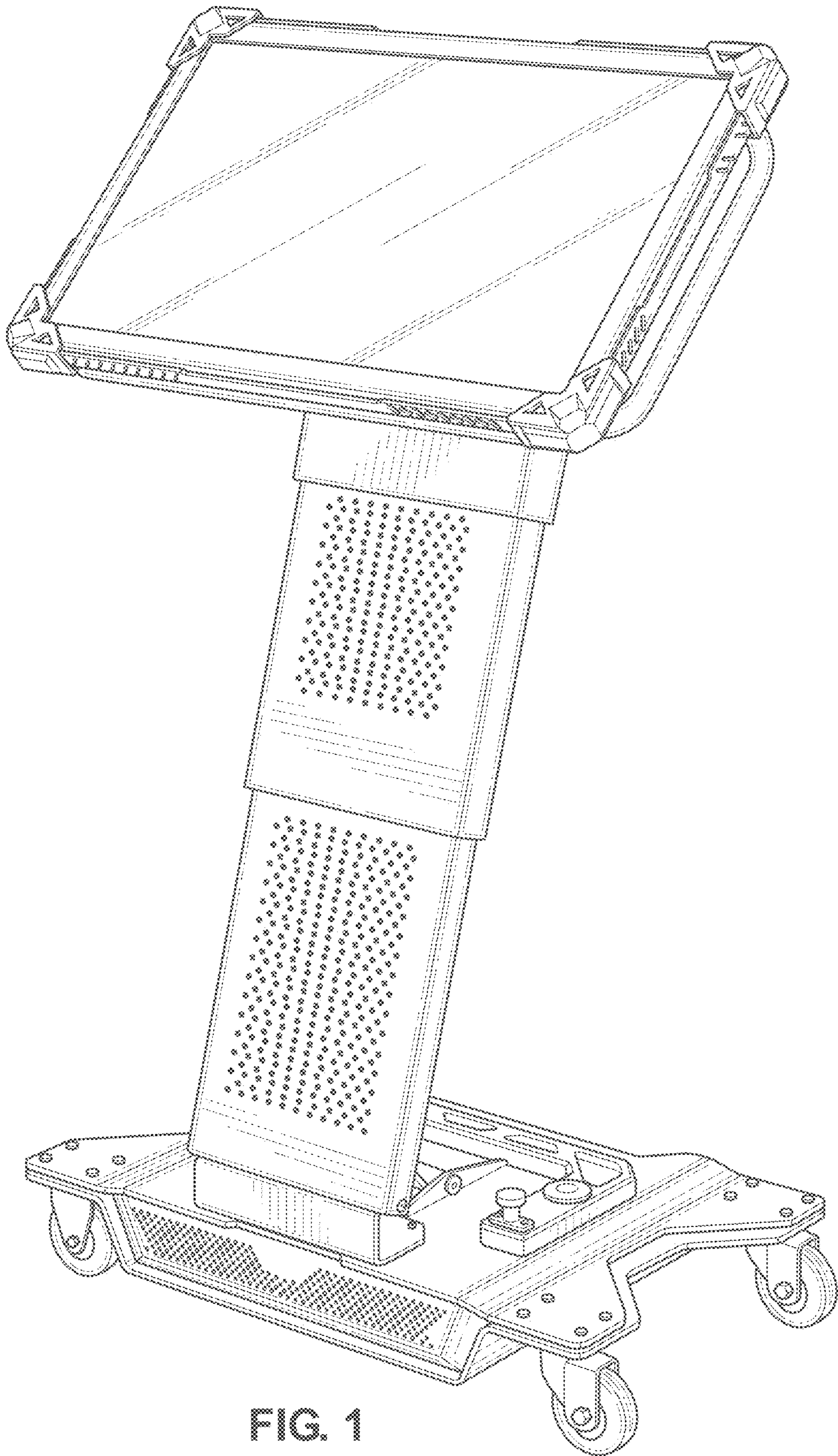


FIG. 1

FIG. 3

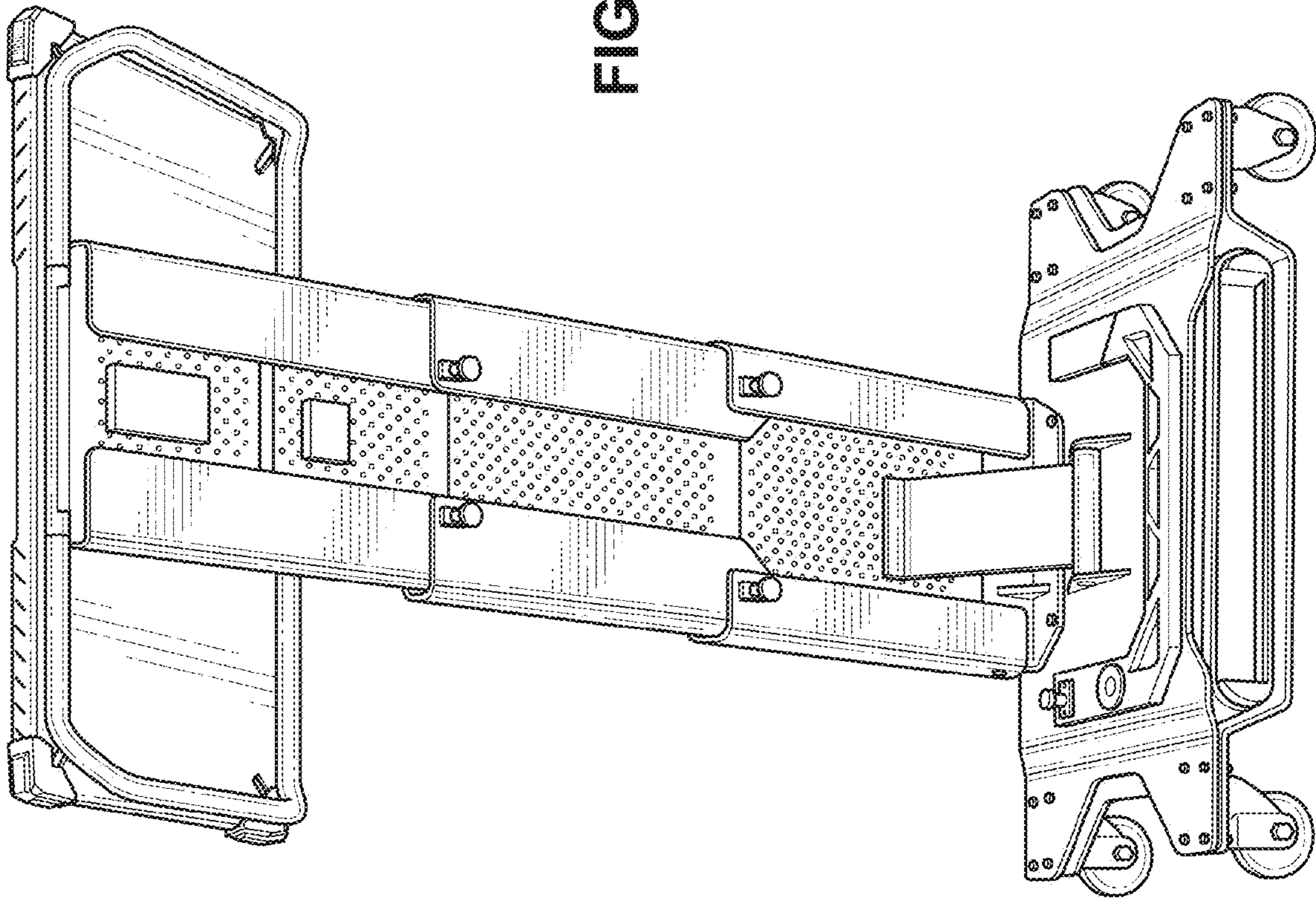
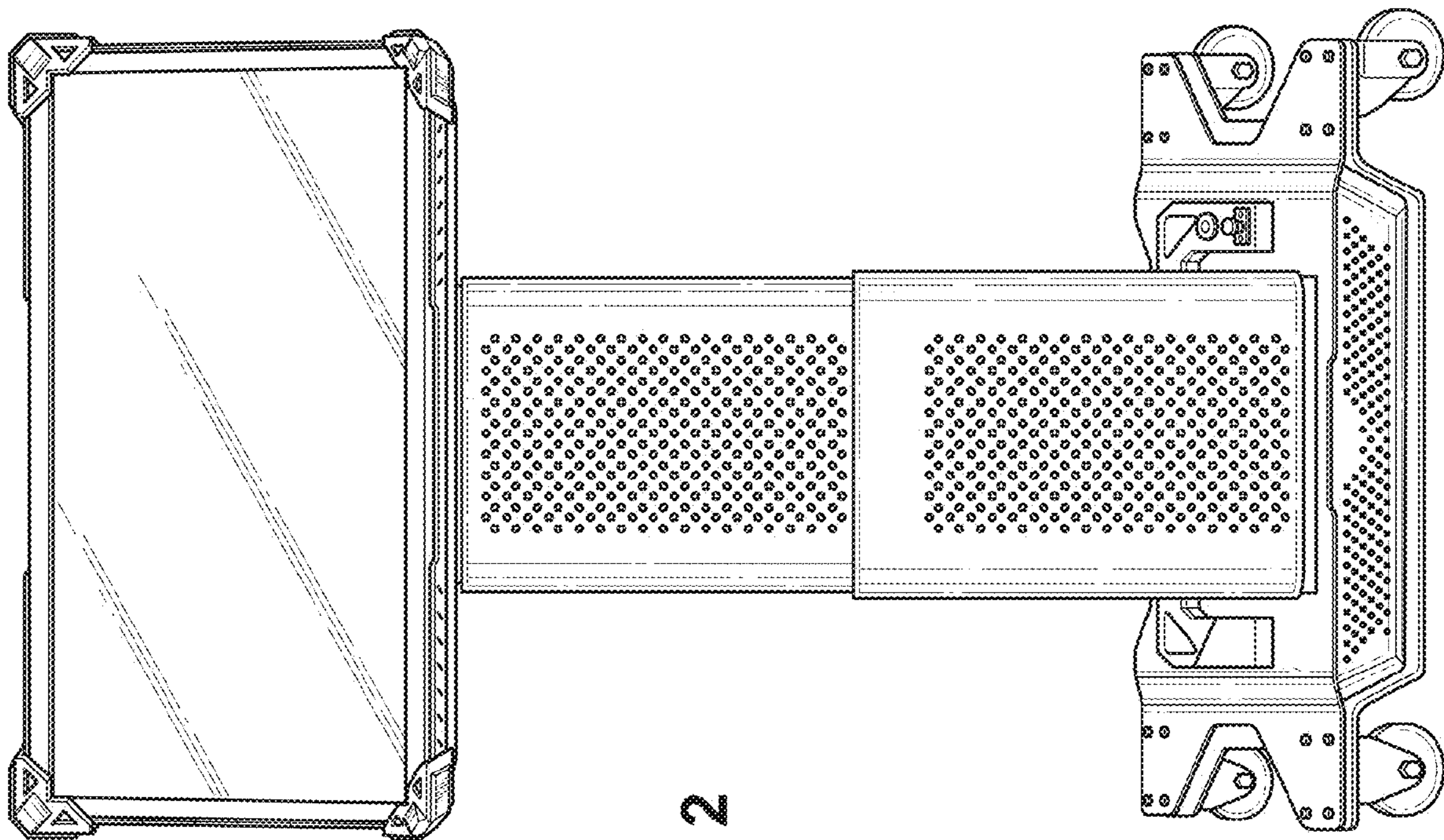


FIG. 2



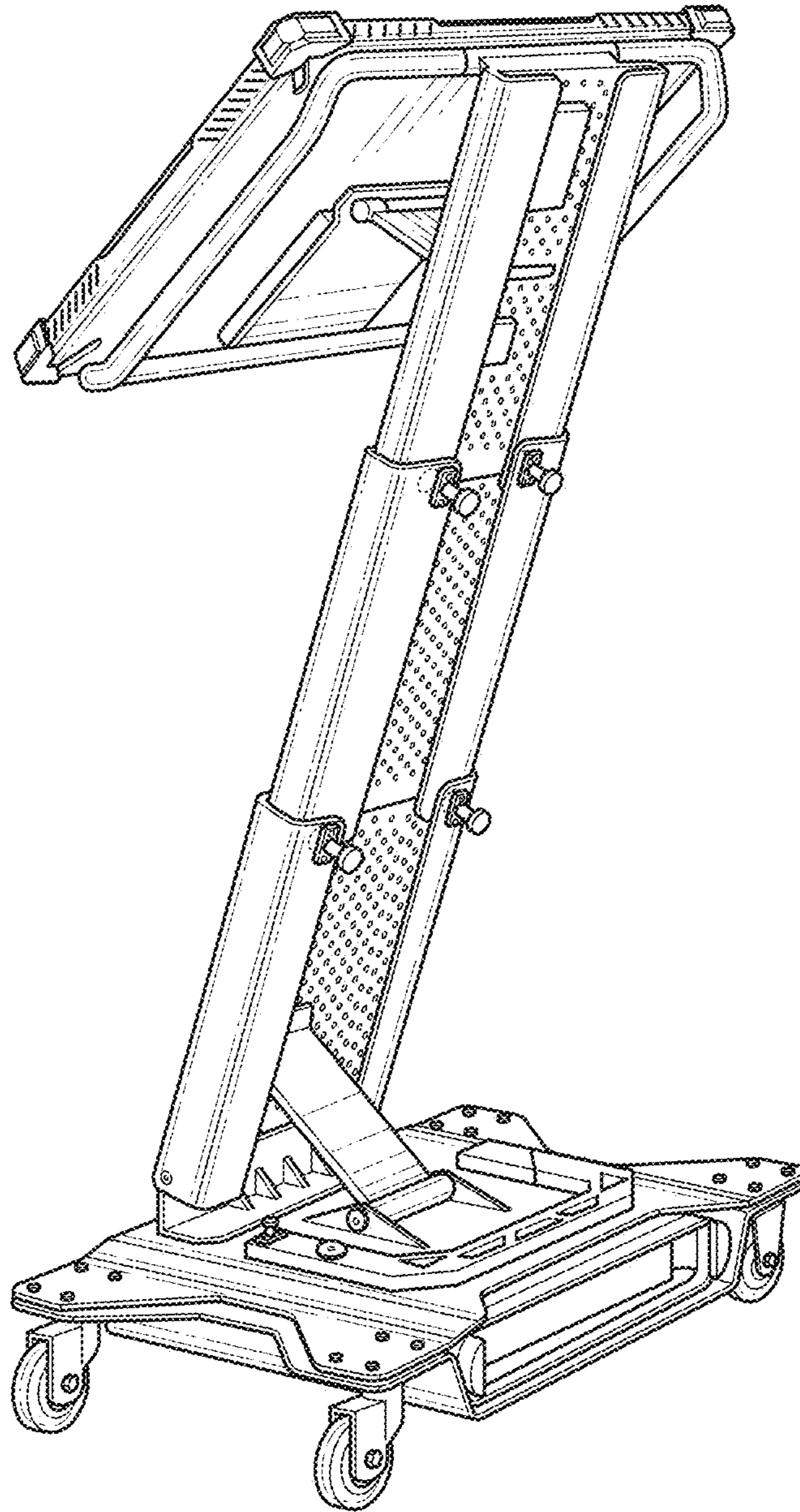


FIG. 4

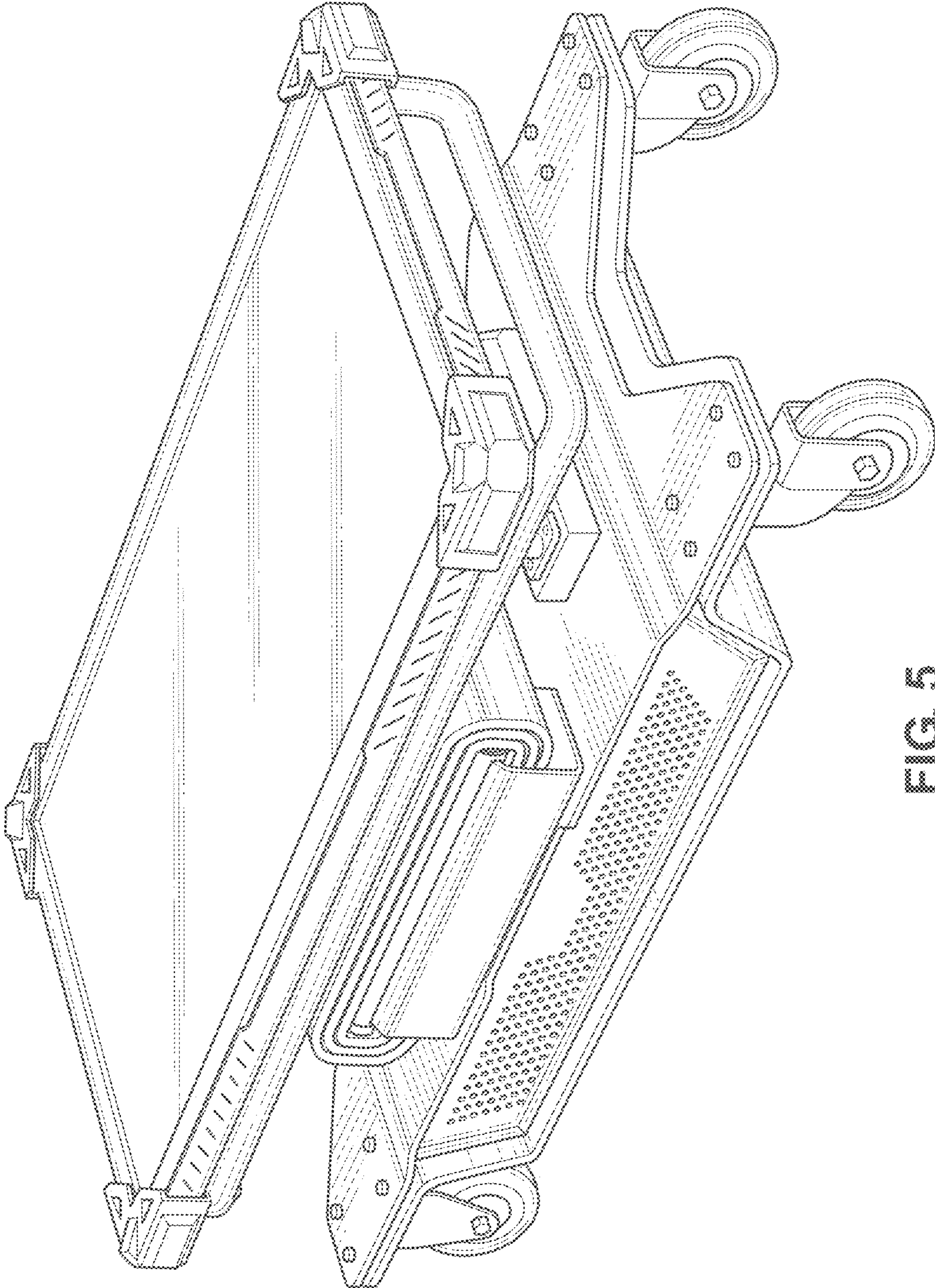
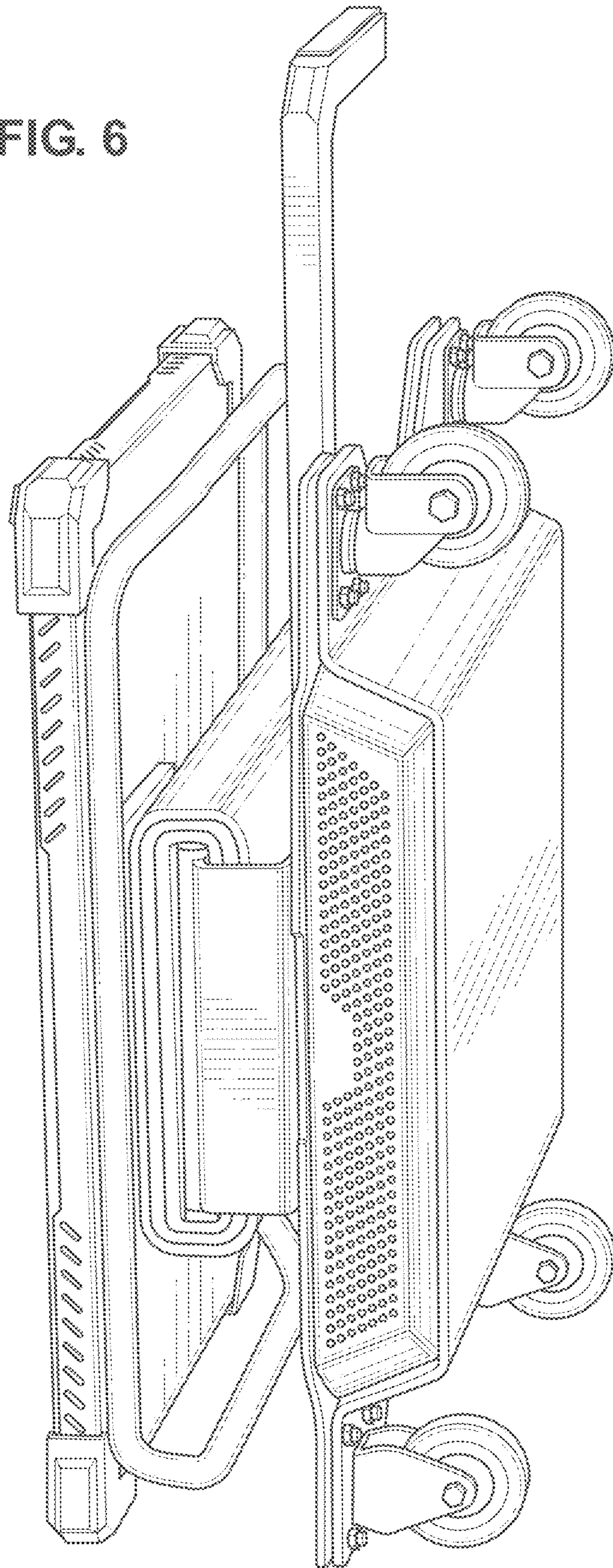


FIG. 5

FIG. 6



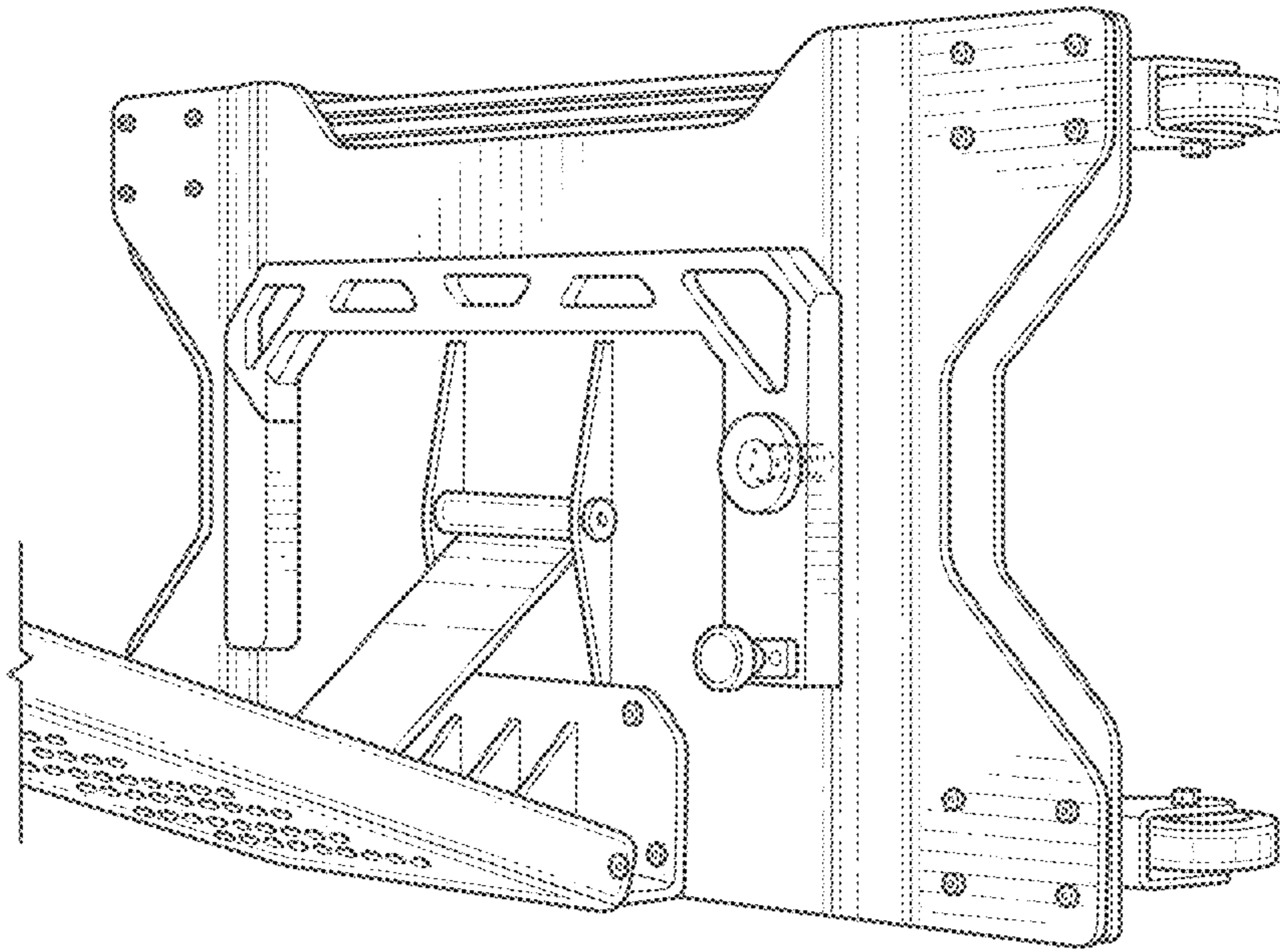


FIG. 8

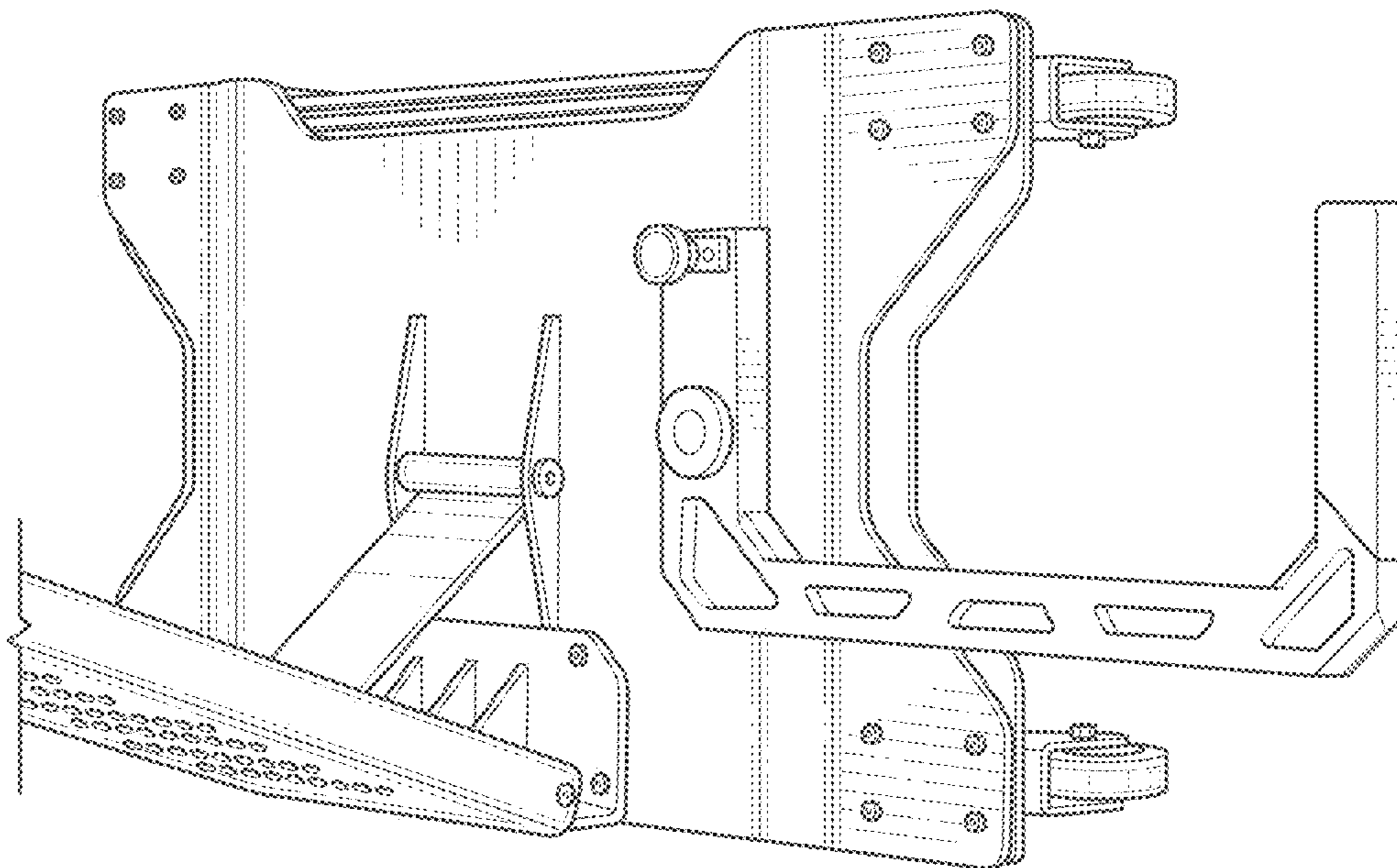


FIG. 7

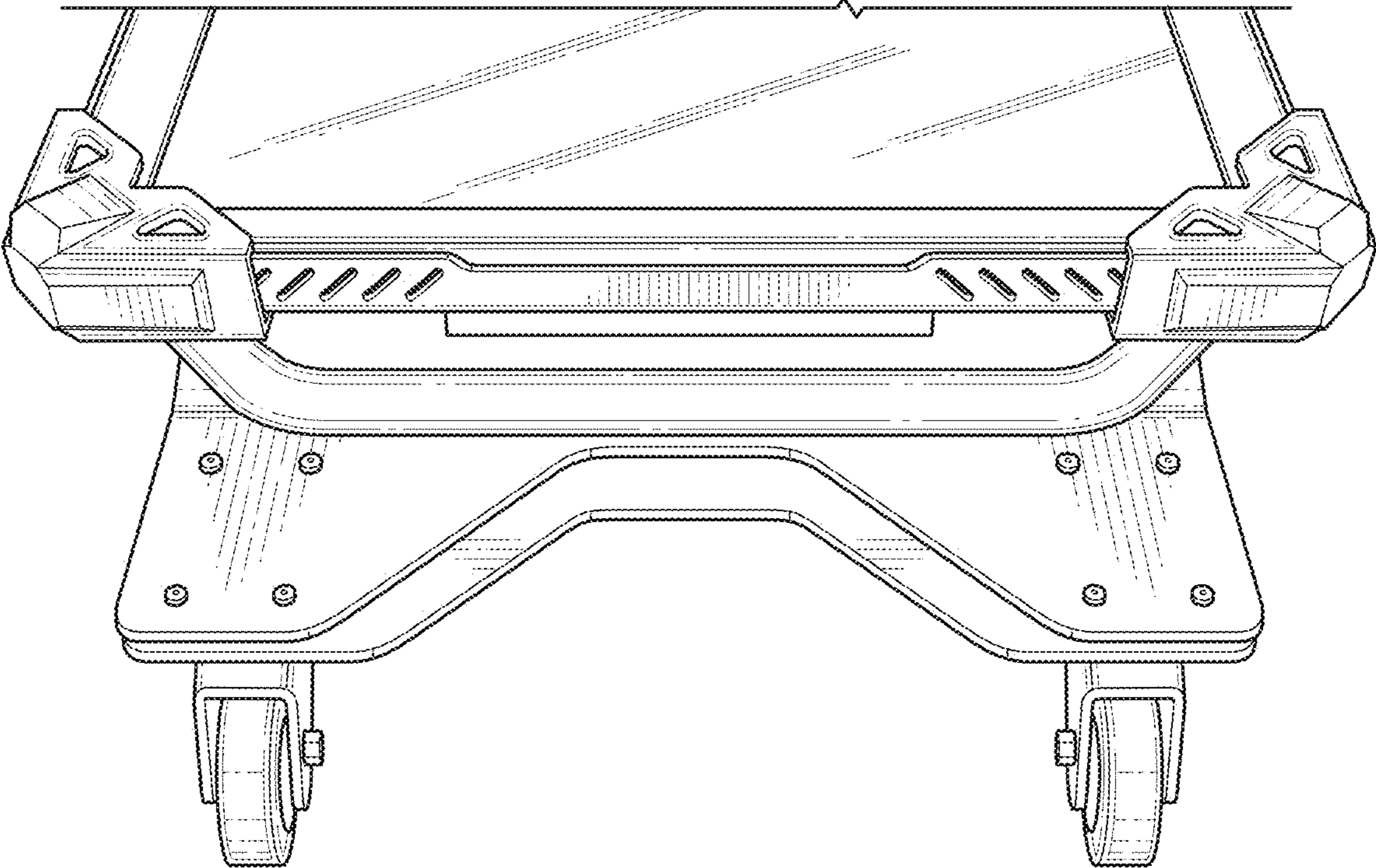


FIG. 9